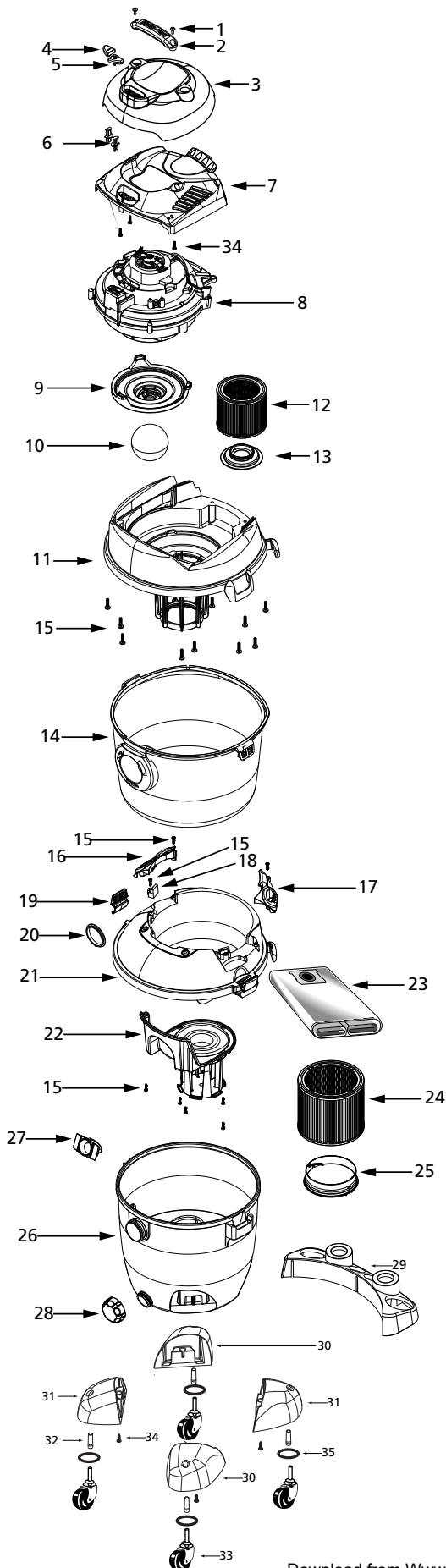


# VN92 Series

# Model VN92550A



ITEM	DESCRIPTION	PART NO.
1	Screw 1/4 x 1.5" Trilobe PH Pan	1517499
2	Handle	1944448
3	Outer Motor Cover	3740551
4	Switch Button - I	7414200
5	Switch Button - O	7414210
6	Switch Button Extension	7414250
7	Inner Motor Cover	3741054
8	Power Unit Assembly	8137297
9	Grid Plate	8866000
10	Ball Float	0081120
11	Lid Cage and Latch Assembly	1944473
12	Cartridge Filter	9039800
13	Filter Retainer	3183000
14	Tank Assembly	1094797
15	Screw 1/4 x 3/4 Trilobe	1517699
16	Securement Arm - Left	3540721
17	Securement Arm - Right	3540701
18	Stop	3540751
19	Lid Latch	7444500
20	Inlet Gasket	2075000
21	Cradle Assembly	1944447
22	Filter Cage Assembly	1944433
23	Collection Bag	9066300
24	Cartridge Filter	9030400
25	Filter Retainer	3008000
26	Tank Assembly	7345497
27	Inlet Deflector	7413100
28	Drain Cover	7446800
29	Tool Holder	8411300
30	Casterfoot A	7431330
31	Casterfoot B	7431350
32	Retainer	8565700
33	Caster	6773900
34	Screw 10 x 3/4" SL Hex Head	1503999
35	Flatwasher	0704399

\* Replacement Parts May Differ from Original Equipment.

### THREE-YEAR HOME USE WARRANTY

Your Shop-Vac® vacuum cleaner is warranted in normal household use, in accordance with the User Manual, against original defects in material and workmanship for a period of three years from date of purchase. Should this product be used for commercial or rental use, a 90 day limited warranty will apply. Shop-Vac Corporation warrants placing this vacuum cleaner in correct operating condition, by repair or parts replacement, during the warranty period, without charge. This warranty does not cover accessories. Use of non-recommended filters and/or accessories may void the manufacturer's warranty.

For product service contact Shop-Vac Corporation, Customer Service, at (570) 326-3557 or e-mail service@shopvac.com. Shop-Vac assumes no responsibility for damage or faulty performance caused by misuse or careless handling, or where repairs or modifications have been made or attempted by others. Proof of purchase date is required. This warranty gives you specific legal rights, and you may also have other rights, which vary from state to state. This warranty is void outside of the United States.

## Free Manuals Download Website

<http://myh66.com>

<http://usermanuals.us>

<http://www.somanuals.com>

<http://www.4manuals.cc>

<http://www.manual-lib.com>

<http://www.404manual.com>

<http://www.luxmanual.com>

<http://aubethermostatmanual.com>

Golf course search by state

<http://golfingnear.com>

Email search by domain

<http://emailbydomain.com>

Auto manuals search

<http://auto.somanuals.com>

TV manuals search

<http://tv.somanuals.com>