

# SHOPPRIDER®

## GolfRider™ Recreational Scooter

Model: GR889

# User Manual



*Pictured golf bag and golf clubs not included*

12/2/2004



## Table of Contents

|  |    |
|--|----|
| INTRODUCTION.....                                    | 3  |
| FEATURE GUIDE.....                                   | 3  |
| SAFETY ADVICE.....                                   | 4  |
| EMI WARNING.....                                     | 5  |
| WARNINGS.....  | 6  |
| ADJUSTMENTS.....                                     | 7  |
| SCOOTER TILLER CONTROLS.....                         | 8  |
| DRIVE/FREEWHEEL OPERATION.....                       | 9  |
| STARTING TO DRIVE YOUR SCOOTER.....                  | 10 |
| EXTRA GUIDELINES IN THE CONTROL OF YOUR SCOOTER..... | 11 |
| TRANSPORT/STORAGE.....                               | 12 |
| BATTERIES AND BATTERY CHARGING.....                  | 13 |
| MAINTENANCE.....                                     | 14 |
| TROUBLESHOOTING GUIDE.....                           | 14 |
| TECHNICAL SPECIFICATIONS.....                        | 15 |
| QUARTERLY INSPECTION.....                            | 16 |
| WARRANTY.....  | 17 |
| DISCLAIMER.....                                      | 17 |

# SHOPPRIDER®

## INTRODUCTION

Congratulations on your purchase of the Shoprider® GolfRider™ scooter. The GolfRider™ scooter is par for the course with its ultimate combination of style, comfort and ease of use. The freedom that the GolfRider™ scooter offers on the golf course gives you the liberty to follow your ball without interruption from your golf partner. With the added focus on your golf game, you're bound to shave strokes off your golf score. Direct drive transaxles, automatic electromagnetic brake and easy hand controls give a safe and efficient ride. We know that the GolfRider™ will provide many years of golfing pleasure for you.

***Please ensure that you read this manual carefully, it is important for your safety that you understand the guidelines and instructions given.***

## FEATURE GUIDE (Fig 1)

1. Scooter controls
2. Detachable seat
3. Flip-up arm rests
4. Detachable basket w/ double drink holders
5. Adjustment tiller lever
6. Adjustable sliding seat
7. Golf bag holder
8. Foot rest
9. Headlight
10. Rear Chassis Cover

**NOTE:** *Golf bag & golf clubs not included*



Figure 1



## **SAFETY ADVICE**

- DO NOT carry passengers.
- DO NOT exceed inclines over 10 degrees (17% grade).
- DO NOT turn on steep inclines.
- DO NOT turn suddenly at high speeds.
- DO NOT get on or off the scooter unless the brake is on and the scooter is switched off.
- DO NOT switch off the scooter while the scooter is moving.
- DO NOT drive the scooter where you can not safely or legally walk.
- DO NOT attempt to drive over high curbs. Doing so could cause your scooter to turn over, causing injury or damage to the scooter.
- DO NOT drink or use a mobile phone when driving your scooter.
- DO NOT exceed the suggested user weight limit. Doing so, could cause personal injury and invalidate the warranty.
- ALWAYS keep your feet on the scooter when moving.
- Consult your doctor if there is any doubt about your ability to use a scooter safely.
- ALWAYS slow down and proceed carefully when traveling over rough or uneven ground.
- For individuals with balance problems practice getting on the scooter with assistance of a qualified healthcare professional.
- DO NOT use an escalator to move a scooter. Serious injury could occur.
- DO NOT drive the scooter on an incline that has oil, water or ice film on it.
- DO NOT try to lift the scooter by its seat, tiller, or any removable parts. Any of these could cause injury to the user or damage to the scooter.
- DO NOT use parts or accessories that are not authorized by Shoprider®.
- Before sitting in or exiting the scooter, REMOVE the key from the ignition. This will insure the POWER is off and the scooter can not move under its own power.
- As a general precaution, always remove the key from the ignition while the scooter is not in use. This will prevent use by untrained and unauthorized persons.
- DO NOT connect any medical device to the scooter battery. This could cause failure of the device, the scooter and personal injury.
- Make sure the tiller is properly adjusted to the user or damage and injury could result.
- DO NOT transport in a vehicle WHILE seated on the scooter. Shoprider® will not be responsible for any injury or damage that might result.
- DO NOT use the scooter in the rain or near any other water source where the scooter may get wet. Direct exposure to rain or dampness could cause damage to the scooter electrical components.
- For maximum battery life, make sure to fully charge batteries for up to 8 hours prior to first use.



## EMI WARNING

Shoprider® GolfRider™ may be susceptible to electromagnetic interference (EMI), which is a kind of interfering electromagnetic energy (EM) emitted from sources such as radio stations, TV stations, amateur radio (HAM) transmitters, two-way radio, and cellular phones. The interference (from radio wave sources) can cause the scooter to release its brakes, move by itself, or move in unintended directions. It can also permanently damage the scooter's control system.

The sources of radiated EMI can be broadly classified into three types:

1. Hand-held portable transceivers (transmitters-receivers) with the antenna mounted directly on the transmitting unit. Examples include: citizens band (CB) radios, "walkie talkie", security, fire and police transceivers, cellular telephones, and other personal communication devices.

**NOTE! Some cellular telephones and similar devices transmit signals while they are ON, even when not being used.**

2. Medium-range mobile transceivers, such as those used in police cars, fire trucks, ambulances, and taxis. These usually have the antenna mounted on the outside of the vehicle.
3. Long-range transmitters and transceivers, such as commercial broadcast transmitters (radio and TV broadcast antenna towers) and amateur (HAM) radios.

**NOTE! Other types of hand-held devices, such as cordless phones, laptop computers, AM/FM radios, TV sets, CD players, and cassette players, and small appliances, such as electric shavers and hair dryers, so far as we know, are not likely to cause problems to the scooter.**

### Scooter Electromagnetic Interference (EMI)

Because EM energy rapidly becomes more intense as one moves closer to the transmitting antenna (source), the EM fields from hand-held radio sources (transceivers) are of special concern. It is possible to unintentionally bring high levels of EM energy very close to the scooter's control system while using these devices. This can affect scooter movement and braking. Therefore, the warnings listed below are recommended to prevent possible interference with the control system of the scooter.



## **WARNINGS**

1. Do not operate hand-held transceivers (transmitters-receivers), such as citizens band (CB) radios, or turn ON personal communication devices, such as cellular phones, while the scooter is turned ON.
2. Be aware of nearby transmitters, such as radio or TV stations, and try to avoid coming close to them.
3. If unintended movement or brake release occurs, turn the scooter OFF as soon as it is safe.
4. Be aware that adding accessories or components, or modifying the scooter may make it more susceptible to EMI.

**NOTE! There is no easy way to evaluate the overall immunity of the scooter.**

5. Report all incidents of unintended movement or braking to your Shoprider® provider, and note whether there are sources of EMI nearby.

***WARNING! Shoprider® is not responsible for damage or injury incurred due to improper and unsafe use of our scooter.***

# SHOPPRIDER®

## ADJUSTMENTS

### Tiller Angle Adjustment (Fig 2)

On the left hand side at the base of the tiller is a red lever. Push the lever to release the pin and select the desired tiller angle. Refit the pin into one of the three location holes to lock tiller in place.

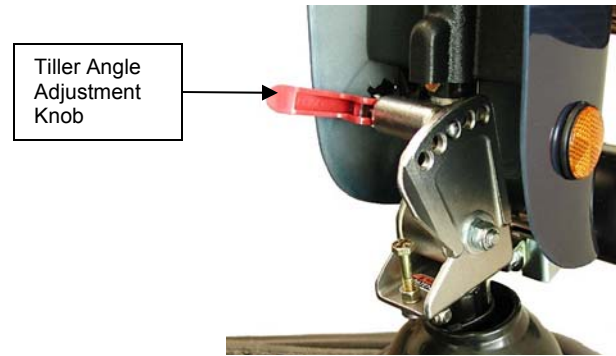


Figure 2

### Folding the Tiller

Fold down the tiller by pushing the lever to release the pin (fig 2).

### Seat Removal

Turn the seat hand knob under the base of the seat counterclockwise to loosen. Lift the seat off the seat post.

### Seat Height Adjustment

Remove seat as described. Remove rear chassis cover. The seat height can be adjusted to three different settings by inserting the adjustment bolt in the desired hole. Replace the seat post, tighten the seat hand knob and replace the seat. Tighten the seat knob.

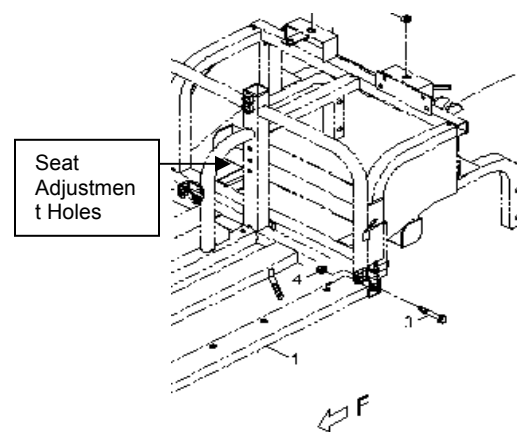


Figure 3

# SHOPRIDER®

## SCOOTER TILLER CONTROLS (FIG 4)

### Speed Controls

The speed control allows you to set a speed between 1 (minimum) and 10 (maximum).

### Battery Level Indicator

The number of red bars shows the amount of charge left in your batteries. The amount of charge will only show at its true level when the scooter is in drive.

**Caution – Do not allow the battery level indicator to go down completely as complete discharge of the batteries could cause irreversible damage.**

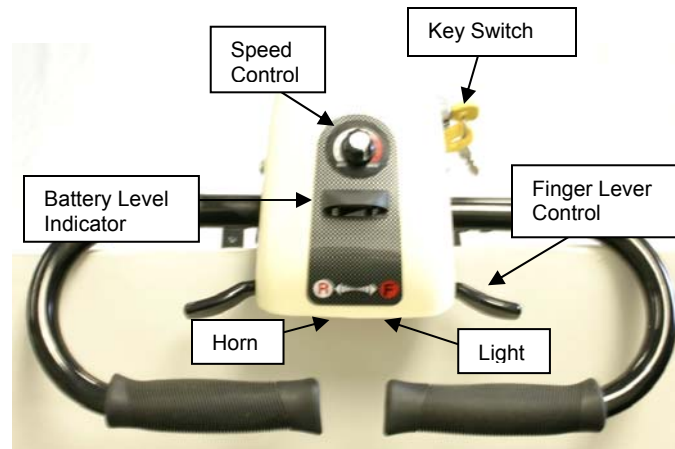


Figure 4

### Horn

A yellow button at the rear of the tiller operates the horn.

### Hand Lever Controls

The right hand lever controls the forward motion and the left hand lever controls the reverse motion. The amount of pressure applied to each lever will determine the speed the scooter travels, up to the speed designated with the speed dial. Release the lever and the scooter will automatically come to a stop as the electromagnetic brake is applied to the motor.

### On/Off Key Switch

Insert the key in the right side of the tiller. Turn the key and the battery light indicator will light up. There may be a slight delay before the hand lever control can be operated, while the controller checks the circuits.

### Electromagnetic Brake

The brake is automatically operated when the control levers are pressed or released. There is a slight delay when the scooter decelerates; this allows the scooter to come to a smooth stop.



# SHOPPRIDER®

## DRIVE/FREEWHEEL OPERATION (FIG 5)

The drive/freewheel lever is located next to the right rear wheel. This lever allows you to put the scooter in freewheel (neutral) and push the scooter. To push the scooter while turned off, lift the lever in the up position (the scooter is now in freewheel). To put the scooter into drive (in gear); put the lever in the down position (now the unit may be driven).

Note: The scooter will not operate when the lever is up (in neutral). If the scooter is turned on while the lever is up, you must turn the scooter off, put the lever in the down position, and then turn the scooter back on.

**WARNING! For safety, always put the scooter into gear (lever down) after pushing or rolling scooter. Failure to do so may result in injury.**

**Shoprider® is not responsible for damage or injury incurred due to improper or misuse of the scooter.**

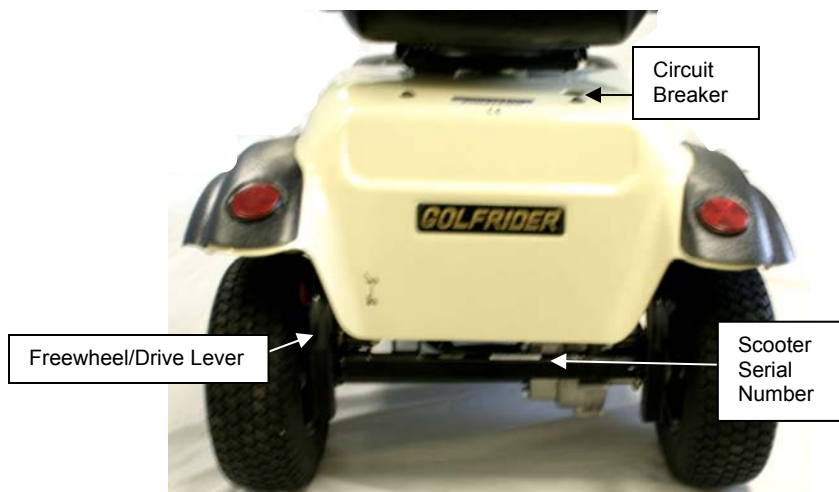


Figure 5  
Golf bag holder not assembled



## STARTING TO DRIVE YOUR SCOOTER

### First Time Use

Prior to using your Shoprider® GolfRider™ scooter for the first time, you must charge the batteries fully (refer to Battery Charging Procedures). Charging may take up to 12 hours. Charging the batteries completely prior to first time use will benefit battery efficiency and extend battery life. Failure to do so may cause damage.

### Getting Started

- Select a level area with plenty of space.
- Mount the scooter by pushing the arm rest upward out of the way and sliding onto the seat.
- Adjust the tiller and seat as previously described.

### Starting Scooter Movement

- Ensure that you are seated in a comfortable position.
- Turn the key to the on position.
- Your speed setting should be on 1 or 2.
- Squeeze your right hand lever and the scooter will move forward slowly. The harder you squeeze, the faster the scooter goes but will only reach the speed level that has been selected.
- Release the lever and the scooter will slowly come to a stop as the magnetic brake automatically engages.

### Steering

Steering the scooter is light and easy. When starting off ensure that you give a wide clearance when turning so that the rear wheels clear any obstacle that you are passing. When steering through limited spaces such as a doorway or when turning around, turn the tiller handles where you want to go and apply power gently. The scooter will turn very tightly, but will still move with complete stability as long as the speed is not too high.

### Reversing

Before reversing ensure that the area behind is free from any hazards or obstructions. Adjust your speed setting to a low setting before you move in reverse. Squeeze the left hand lever, and steer wide of all corners and obstacles.

### Dismounting

Before dismounting ensure that the key is turned to the off position. Dismount by pushing the arm rest upward out of the way and sliding off the seat.

***CAUTION: Please ensure that care is exercised when mounting or dismounting the scooter and that the tiller, seat back and foot rest are not used for support.***



## **EXTRA GUIDELINES IN THE CONTROL OF YOUR SCOOTER**

### **Ramps**

The stability of your scooter is governed by several factors such as the seating position, the angle of the slope and your height and weight. When approaching an incline, do so directly and not at an angle and where ever possible avoid making turns. When going down a ramp or slope keep the speed settings to slow. This will ensure there is a safe controlled descent. When the hand levers are released the scooter will slowly stop.

***Caution - Do not turn off the control key while the unit is in motion***

### **Grass and Gravel**

Please follow the guidelines given previously and your scooter will perform admirably over many surfaces. Avoid driving in tall grass, sand traps and water hazards.

***NOTE: You should not operate your scooter in wet weather or on wet surfaces. This may cause damage or injury.***

# SHOPPRIDER®

## TRANSPORT / STORAGE

The Shopprider® GolfRider™ scooter is designed to be disassembled for transportation and storage. Follow these simple guidelines for disassembly:

### Disassembly (Fig 6)

- 1) Remove the front basket
- 2) Remove the golf bag holder
- 3) Remove the seat
- 4) Fold tiller down and lock into place



Figure 6

# SHOPRIDER®

## BATTERIES AND BATTERY CHARGING

The Shoprider® GolfRider™ scooter must be equipped with two maintenance-free, sealed lead acid or gel batteries. The batteries are installed underneath the seat and rear chassis cover. Battery life and performance may be affected by temperature, terrain, condition of battery, the weight of the user, and care of batteries. The battery level indicator is only a guide and is most effective when the scooter is moving, only then is the true discharge level displayed.

- When the scooter stops the battery level indicator may indicate full.
- An active user can use up to 30% of battery capacity or more per day.
- Inactive users may only use 50% of battery capacity in a week.
- In both these instances the battery should be put on charge over night.

***Keeping the batteries charged will extend the life of the batteries***

### Battery Charger (Fig 7)

- 1) The battery charger is an off-board 8-amp transformer type.
- 2) Charger A/C power cord.

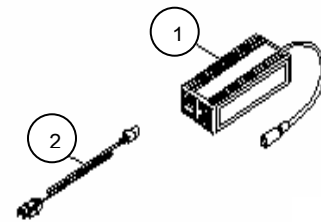


Figure 7

### First Time Use

Prior to using your Shoprider® GolfRider™ scooter for the first time, you must charge the batteries fully (refer to Battery Charging Procedures). Complete charging may take up to 12 hours. Charging the batteries completely prior to first time use will benefit battery efficiency and extend battery life. Failure to do so may cause damage.

### Charging

The Shoprider® GolfRider™ scooter has a built in 3-pin charger port located on the right side of the tiller next to the key switch. To charge the batteries connect the 3-pin male plug lead into the 3-pin female battery-charging socket on the tiller. Plug the charger A/C cord plug into the wall socket. The battery charger has two indicator lights. The red light shows the power is on. The second light shows yellow/gold while charging, and when the light turns green the batteries are fully charged. Once the batteries are completely charged, unplug the A/C cord from the wall then unplug the 3-pin lead from the charger port.

***WARNING: Only use the original Shoprider approved charger!***

***This charger is for indoor use only. DO NOT expose it to rain or water spray.***

***Do not leave the charger plugged into the charger port if the charger is not charging.***



## MAINTENANCE

### Tires

It is good practice to keep your tires inflated properly (30psi) at all times. Failure to do so will result in excessive load on batteries, poor driving performance and may cause damage or injury.

### General Maintenance and Lubrication

- Inspection for loose wheel bolts, tiller base bolts, seat tightening bolt, and other nuts and bolts is recommended on a regular basis.
- Most lubricated components on the Shoprider® GolfRider™ scooter are designed to be maintenance free and are sealed. Therefore lubrication is not required for these components. However, the driving axles and seat post should always have a very light coat of multipurpose grease.

### DO NOT USE TOO MUCH GREASE!

- It is recommended that the driving axles (inside the drive wheel assembly) be checked and cleaned periodically for hair and debris build-up, which may hinder the performance of the unit.
- Check the batteries on a regular basis. For extended battery life, it is highly recommended that the batteries be fully charged after each use. If the batteries are weak, severely discharged or old, a variety of problems may occur with the unit including charging problems, reduced speed, loss of range, and others. Please contact your local Shoprider® provider for battery replacement.

## TROUBLESHOOTING GUIDE

### Circuit Breaker

Your scooter is fitted with the latest in electronic controls that are programmed to protect the electrical system from abnormal overloads. Provided for extra protection is a circuit breaker, located under the seat. Should there be a situation where your scooter stops for no apparent reason, please check that the circuit breaker has not popped.

### Check List

If your scooter fails to operate, please check the following:

- Unit is switched on.
- Drive/Freewheel mechanism is in the drive position (pushed down).
- All plugs and connectors are clean and firmly connected.
- Battery level shows full charge.
- Battery fuses are not blown.

If the free wheel device has been operated with the scooter switched on, then the scooter will not operate until the ignition key has been switched off and then on again.

Please consult your dealer if your scooter does not run after checking these points.



## TECHNICAL SPECIFICATIONS

| UNIT SPECIFICATIONS  |                        | GolfRider™        |
|--|------------------------|-------------------|
| Overall Dimensions: L <sup>1</sup> x W x H   | in                     | 59"x 28"x 43"     |
| Number, Size of Tires  | Front                  | 2 , 13"           |
|  | Rear                   | 2 , 13"           |
| Suggested User Weight<br>(on the level road)   | lb                     | Max. 350          |
| Total Weight (w/ batteries, basket, seat)  | lb                     | 330               |
| Each Battery Module Weight   | lb                     | 50                |
| Battery Module Capacity  | $\frac{V\_Ah}{x\ Pcs}$ | 12V75Ah x 2       |
| Charger-24v  |                        | Off Board (8A)    |
| Output Power of Motor  | hp                     | 1.47              |
| Maximum Speed <sup>2</sup>   | mph                    | 5                 |
| Maximum Climbing Angle (based on user weight of 90kg/200lb) /Safe Climbing Angle   | % ( ° )                | 17 (10) / 26 (15) |
| Range <sup>3</sup> (per charge w/ STD 12AH Battery / 90 kg User Weight) (After the battery and mechanical moving parts fully break in) | mile                   | 38                |
| Turning Radius   | in                     | 73"               |
| Ground Clearance   | in                     | 7"                |
| Handle Bar   | Type                   | C-BAR             |
| Suspension   | Y/N                    | Y                 |

**ALL SPECIFICATIONS ARE SUBJECT TO CHANGE WITHOUT PRIOR NOTICE.**

1. Does not include front basket or golf bag holder.
2. Driver weight may exceed weight of the unit; speed must be reduced when turning.
3. The actual driving range varies with the factors shown below:
  - a) the weight of occupant
  - b) ground surface
  - c) battery conditions
  - d) type of charger
  - e) ambient temperature
  - f) the method of driving
  - g) terrain



**QUARTERLY INSPECTION**

For your own safety, quarterly inspection and service on the product has to be performed and signed by an authorized provider. Maintenance records (below) should be kept at all times. The manufacturer / distributor / vendor will be indemnified from any product liability claim if the above maintenance / service requirement is not met.

**NOTE! Regular (Monthly) inspection is strongly recommended by the manufacturer to ensure ultimate performance of the vehicle.**

**Service Record:** \_\_\_\_\_ **Date of Purchase:**    /    /

**Purchaser:** \_\_\_\_\_

**Model #: GR889 GolfRider™    Serial #:** \_\_\_\_\_

**Provider Unit Was Purchased From:** \_\_\_\_\_

|                  |                  |                  |                  |                  |                  |
|------------------|------------------|------------------|------------------|------------------|------------------|
|                  |                  |                  |                  |                  |                  |
| <b>M / D / Y</b> | <b>M / D / Y</b> | <b>M / D / Y</b> | <b>M / D / Y</b> | <b>M / D / Y</b> | <b>M / D / Y</b> |
|                  |                  |                  |                  |                  |                  |
| <b>M / D / Y</b> | <b>M / D / Y</b> | <b>M / D / Y</b> | <b>M / D / Y</b> | <b>M / D / Y</b> | <b>M / D / Y</b> |
|                  |                  |                  |                  |                  |                  |
| <b>M / D / Y</b> | <b>M / D / Y</b> | <b>M / D / Y</b> | <b>M / D / Y</b> | <b>M / D / Y</b> | <b>M / D / Y</b> |
|                  |                  |                  |                  |                  |                  |
| <b>M / D / Y</b> | <b>M / D / Y</b> | <b>M / D / Y</b> | <b>M / D / Y</b> | <b>M / D / Y</b> | <b>M / D / Y</b> |
|                  |                  |                  |                  |                  |                  |
| <b>M / D / Y</b> | <b>M / D / Y</b> | <b>M / D / Y</b> | <b>M / D / Y</b> | <b>M / D / Y</b> | <b>M / D / Y</b> |





## WARRANTY

Please refer to warranty information included with unit.

## DISCLAIMER

Congratulations on your purchase of the **Shoprider®** GolfRider™ scooter. It is not intended to be used by individuals with physical limitations that could prevent the user from operating this unit safely. **Shoprider®** disclaims all responsibility for any personal injury or property damage, which may occur as a result of improper or unsafe use of its products. Mechanical or electrical defects will be dealt with on a contingency liability basis.

The preceding guidelines are intended to assist you in the safe operation of your GolfRider™ scooter. If you should have any questions about the correct operation of your scooter, please contact your authorized **Shoprider®** provider.

Model No. **GR889**      Serial No.

Provider's Stamp

Shoprider® Mobility Products, Inc.  
(800) 743-0772  
[www.shoprider.com](http://www.shoprider.com)

## Free Manuals Download Website

<http://myh66.com>

<http://usermanuals.us>

<http://www.somanuals.com>

<http://www.4manuals.cc>

<http://www.manual-lib.com>

<http://www.404manual.com>

<http://www.luxmanual.com>

<http://aubethermostatmanual.com>

Golf course search by state

<http://golfingnear.com>

Email search by domain

<http://emailbydomain.com>

Auto manuals search

<http://auto.somanuals.com>

TV manuals search

<http://tv.somanuals.com>