



**ANY-FREQUENCY PRECISION CLOCKS  
Si5316, Si5319, Si5322, Si5323, Si5324, Si5325,  
Si5326, Si5327, Si5365, Si5366, Si5367,  
Si5368, Si5369, Si5374, Si5375  
FAMILY REFERENCE MANUAL**



---

**TABLE OF CONTENTS**


---

<u>Section</u>	<u>Page</u>
<b>1. Any-Frequency Precision Clock Product Family Overview</b> .....	<b>12</b>
<b>2. Narrowband vs. Wideband Overview</b> .....	<b>16</b>
<b>3. Any-Frequency Clock Family Members</b> .....	<b>17</b>
3.1. Si5316 .....	17
3.2. Si5319 .....	18
3.3. Si5322 .....	19
3.4. Si5323 .....	20
3.5. Si5324 .....	21
3.6. Si5325 .....	22
3.7. Si5326 .....	23
3.8. Si5327 .....	24
3.9. Si5365 .....	25
3.10. Si5366 .....	26
3.11. Si5367 .....	27
3.12. Si5368 .....	28
3.13. Si5369 .....	29
3.14. Si5374/75 Compared to Si5324/19 .....	29
3.15. Si5374 .....	30
3.16. Si5375 .....	31
<b>4. Device Specifications</b> .....	<b>32</b>
<b>5. DSPLL (All Devices)</b> .....	<b>46</b>
5.1. Clock Multiplication .....	47
5.2. PLL Performance .....	48
5.2.1. Jitter Generation .....	48
5.2.2. Jitter Transfer .....	48
5.2.3. Jitter Tolerance .....	49
<b>6. Pin Control Parts (Si5316, Si5322, Si5323, Si5365, Si5366)</b> .....	<b>50</b>
6.1. Clock Multiplication (Si5316, Si5322, Si5323, Si5365, Si5366) .....	50
6.1.1. Clock Multiplication (Si5316) .....	50
6.1.2. Clock Multiplication (Si5322, Si5323, Si5365, Si5366) .....	52
6.1.3. CKOUT3 and CKOUT4 (Si5365 and Si5366) .....	64
6.1.4. Loop bandwidth (Si5316, Si5322, Si5323, Si5365, Si5366) .....	64
6.1.5. Jitter Tolerance (Si5316, Si5323, Si5366) .....	64
6.1.6. Narrowband Performance (Si5316, Si5323, Si5366) .....	64
6.1.7. Input-to-Output Skew (Si5316, Si5323, Si5366) .....	64
6.1.8. Wideband Performance (Si5322 and Si5365) .....	64
6.1.9. Lock Detect (Si5322 and Si5365) .....	64
6.1.10. Input-to-Output Skew (Si5322 and Si5365) .....	64
6.2. PLL Self-Calibration .....	65
6.2.1. Input Clock Stability during Internal Self-Calibration (Si5316, Si5322, Si5323, Si5365, Si5366) .....	65
6.2.2. Self-Calibration caused by Changes in Input Frequency (Si5316, Si5322, Si5323, Si5365, Si5366) .....	65
6.2.3. Recommended Reset Guidelines (Si5316, Si5322, Si5323, Si5365, Si5366) .....	65
6.3. Pin Control Input Clock Control .....	67

6.3.1. Manual Clock Selection . . . . .	67
6.3.2. Automatic Clock Selection (Si5322, Si5323, Si5365, Si5366) . . . . .	68
6.3.3. Hitless Switching with Phase Build-Out (Si5323, Si5366) . . . . .	69
6.4. Digital Hold/VCO Freeze . . . . .	70
6.4.1. Narrowband Digital Hold (Si5316, Si5323, Si5366) . . . . .	70
6.4.2. Recovery from Digital Hold (Si5316, Si5323, Si5366) . . . . .	70
6.4.3. Wideband VCO Freeze (Si5322, Si5365) . . . . .	70
6.5. Frame Synchronization (Si5366) . . . . .	70
6.6. Output Phase Adjust (Si5323, Si5366) . . . . .	71
6.6.1. FSYNC Realignment (Si5366) . . . . .	71
6.6.2. Including FSYNC Inputs in Clock Selection (Si5366) . . . . .	71
6.6.3. FS_OUT Polarity and Pulse Width Control (Si5366) . . . . .	71
6.6.4. Using FS_OUT as a Fifth Output Clock (Si5366) . . . . .	71
6.6.5. Disabling FS_OUT (Si5366) . . . . .	72
6.7. Output Clock Drivers . . . . .	72
6.7.1. LVPECL and CMOS TQFP Output Signal Format Restrictions at 3.3 V (Si5365, Si5366) . . . . .	72
6.8. PLL Bypass Mode . . . . .	73
6.9. Alarms . . . . .	73
6.9.1. Loss-of-Signal Alarms (Si5316, Si5322, Si5323, Si5365, Si5366) . . . . .	73
6.9.2. FOS Alarms (Si5365 and Si5366) . . . . .	73
6.9.3. FSYNC Align Alarm (Si5366 and CK_CONF = 1 and FRQTBL = L) . . . . .	74
6.9.4. C1B and C2B Alarm Outputs (Si5316, Si5322, Si5323) . . . . .	74
6.9.5. C1B, C2B, C3B, and ALRMOUT Outputs (Si5365, Si5366) . . . . .	74
6.10. Device Reset . . . . .	75
6.11. DSPLLsim Configuration Software . . . . .	75
<b>7. Microprocessor Controlled Parts (Si5319, Si5324, Si5325, Si5326, Si5327, Si5367, Si5368, Si5369, Si5374, Si5375) . . . . .</b>	<b>76</b>
7.1. Clock Multiplication . . . . .	76
7.1.1. Jitter Tolerance (Si5319, Si5324, Si5325, Si5326, Si5327, Si5368, Si5369, Si5374 and Si5375) . . . . .	76
7.1.2. Wideband Parts (Si5325, Si5367) . . . . .	76
7.1.3. Narrowband Parts (Si5319, Si5324, Si5326, Si5327, Si5368, Si5369, Si5374, Si5375) . . . . .	77
7.1.4. Loop Bandwidth (Si5319, Si5326, Si5368, Si5375) . . . . .	79
7.1.5. Lock Detect (Si5319, Si5326, Si5327, Si5368, Si5369, Si5374, Si5375) . . . . .	79
7.2. PLL Self-Calibration . . . . .	79
7.2.1. Initiating Internal Self-Calibration . . . . .	79
7.2.2. Input Clock Stability during Internal Self-Calibration . . . . .	80
7.2.3. Self-Calibration Caused by Changes in Input Frequency . . . . .	80
7.2.4. Narrowband Input-to-Output Skew (Si5319, Si5324, Si5326, Si5327, Si5368, Si5369, Si5374, Si5375) . . . . .	80
7.2.5. Clock Output Behavior Before and During ICAL . . . . .	80
7.3. Input Clock Configurations (Si5367 and Si5368) . . . . .	81
7.4. Input Clock Control . . . . .	81
7.4.1. Manual Clock Selection (Si5324, Si5325, Si5326, Si5367, Si5368, Si5369, Si5374) . . . . .	82
7.4.2. Automatic Clock Selection (Si5324, Si5325, Si5326, Si5367, Si5368, Si5369, Si5374) . . . . .	83
7.4.3. Hitless Switching with Phase Build-Out (Si5324, Si5326, Si5327, Si5368, Si5369, Si5374) . . . . .	84
7.5. Si5319, Si5324, Si5326, Si5327, Si5368, Si5369, Si5374 . . . . .	

and Si5375 Free Run Mode	85
7.5.1. Free Run Mode Programming Procedure	85
7.5.2. Clock Control Logic in Free Run Mode	85
7.5.3. Free Run Reference Frequency Constraints	86
7.5.4. Free Run Reference Frequency Constraints	86
7.6. Digital Hold	87
7.6.1. Narrowband Digital Hold (Si5316, Si5324, Si5326, Si5368, Si5369, Si5374)	87
7.6.2. History Settings for Low Bandwidth Devices (Si5324, Si5327, Si5369, Si5374)	89
7.6.3. Recovery from Digital Hold (Si5319, Si5324, Si5326, Si5327, Si5368, Si5369, Si5374)	89
7.6.4. VCO Freeze (Si5319, Si5325, Si5367, Si5375)	89
7.6.5. Digital Hold versus VCO Freeze	89
7.7. Output Phase Adjust (Si5326, Si5368)	90
7.7.1. Coarse Skew Control (Si5326, Si5368)	90
7.7.2. Fine Skew Control (Si5326, Si5368)	90
7.7.3. Independent Skew (Si5324, Si5326, Si5368, Si5369, Si5374)	91
7.7.4. Output-to-output Skew (Si5324, Si5326, Si5327, Si5368, Si5369, Si5374)	91
7.7.5. Input-to-Output Skew (All Devices)	91
7.8. Frame Synchronization Realignment (Si5368 and CK_CONFIG_REG = 1)	91
7.8.1. FSYNC Realignment (Si5368)	93
7.8.2. FSYNC Skew Control (Si5368)	94
7.8.3. Including FSYNC Inputs in Clock Selection (Si5368)	94
7.8.4. FS_OUT Polarity and Pulse Width Control (Si5368)	94
7.8.5. Using FS_OUT as a Fifth Output Clock (Si5368)	94
7.9. Output Clock Drivers (Si5319, Si5324, Si5325, Si5326, Si5327, Si5367, Si5368, Si5369, Si5374, Si5375)	95
7.9.1. Disabling CKOUTn	95
7.9.2. LVPECL TQFP Output Signal Format Restrictions at 3.3 V (Si5367, Si5368, Si5369)	95
7.10. PLL Bypass Mode (Si5319, Si5324, Si5325, Si5326, Si5327, Si5367, Si5368, Si5369, Si5374, Si5375)	96
7.11. Alarms (Si5319, Si5324, Si5325, Si5326, Si5327, Si5367, Si5368, Si5369, Si5374, Si5375)	96
7.11.1. Loss-of-Signal Alarms (Si5319, Si5324, Si5325, Si5326, Si5327, Si5367, Si5368, Si5369, Si5374, Si5375)	96
7.11.2. FOS Algorithm (Si5324, Si5325, Si5326, Si5368, Si5369, Si5374)	97
7.11.3. C1B, C2B (Si5319, Si5324, Si5325, Si5326, Si5327, Si5374, Si5375)	99
7.11.4. LOS (Si5319, Si5375)	99
7.11.5. C1B, C2B, C3B, ALRMOUT (Si5367, Si5368, Si5369 [CK_CONFIG_REG = 0])	99
7.11.6. C1B, C2B, C3B, ALRMOUT (Si5368 [CK_CONFIG_REG = 1])	100
7.11.7. LOS Algorithm for Reference Clock Input (Si5319, Si5324, Si5326, Si5327, Si5368, Si5369, Si5374, Si5375)	100
7.11.8. LOL (Si5319, Si5324, Si5326, Si5327, Si5368, Si5369, Si5374, Si5375)	100
7.11.9. Device Interrupts	101
7.12. Device Reset	101
7.13. I <sup>2</sup> C Serial Microprocessor Interface	102
7.14. Serial Microprocessor Interface (SPI)	103
7.14.1. Default Device Configuration	104
7.15. Register Descriptions	104
7.16. DSPLLsim Configuration Software	104
<b>8. High-Speed I/O</b>	<b>105</b>
8.1. Input Clock Buffers	105
8.2. Output Clock Drivers	107

# Si53xx-RM

---

8.2.1. LVPECL TQFP Output Signal Format Restrictions at 3.3 V (Si5367, Si5368, Si5369) . . . . .	107
8.2.2. Typical Output Circuits . . . . .	107
8.2.3. Typical Clock Output Scope Shots . . . . .	109
8.3. Typical Scope Shots for SFOUT Options . . . . .	110
8.4. Crystal/Reference Clock Interfaces (Si5316, Si5319, Si5323, Si5324, Si5326, Si5327, Si5366, Si5368, Si5369, Si5374, and Si5375) . . . . .	113
8.5. Three-Level (3L) Input Pins (No External Resistors) . . . . .	115
8.6. Three-Level (3L) Input Pins (With External Resistors) . . . . .	116
<b>9. Power Supply . . . . .</b>	<b>117</b>
<b>10. Packages and Ordering Guide . . . . .</b>	<b>118</b>
<b>Appendix A—Narrowband References . . . . .</b>	<b>119</b>
<b>Appendix B—Frequency Plans and Jitter Performance (Si5316, Si5319, Si5323, Si5324, Si5326, Si5327, Si5366, Si5368, Si5369, Si5374, Si5375) . . . . .</b>	<b>121</b>
<b>Appendix C—Typical Phase Noise Plots . . . . .</b>	<b>126</b>
<b>Appendix D—Alarm Structure . . . . .</b>	<b>144</b>
<b>Appendix E—Internal Pullup, Pulldown by Pin . . . . .</b>	<b>147</b>
<b>Appendix F—Typical Performance: Bypass Mode, PSRR, Crosstalk, Output Format Jitter . . . . .</b>	<b>154</b>
<b>Appendix G—Near Integer Ratios . . . . .</b>	<b>162</b>
<b>Appendix H—Jitter Attenuation and Loop BW . . . . .</b>	<b>164</b>
<b>Appendix I—Si5374 and Si5375 PCB Layout Recommendations . . . . .</b>	<b>169</b>
<b>Appendix J—Si5374 and Si5375 Crosstalk . . . . .</b>	<b>173</b>
<b>Document Change List . . . . .</b>	<b>178</b>
<b>Contact Information . . . . .</b>	<b>180</b>

## LIST OF FIGURES

Figure 1. Si5316 Any-Frequency Jitter Attenuator Block Diagram . . . . .	17
Figure 2. Si5319 Any-Frequency Jitter Attenuating Clock Multiplier Block Diagram . . . . .	18
Figure 3. Si5322 Low Jitter Clock Multiplier Block Diagram . . . . .	19
Figure 4. Si5323 Jitter Attenuating Clock Multiplier Block Diagram . . . . .	20
Figure 5. Si5324 Clock Multiplier and Jitter Attenuator Block Diagram. . . . .	21
Figure 6. Si5325 Low Jitter Clock Multiplier Block Diagram . . . . .	22
Figure 7. Si5326 Clock Multiplier and Jitter Attenuator Block Diagram. . . . .	23
Figure 8. Si5327 Clock Multiplier and Jitter Attenuator Block Diagram. . . . .	24
Figure 9. Si5365 Low Jitter Clock Multiplier Block Diagram . . . . .	25
Figure 10. Si5366 Jitter Attenuating Clock Multiplier Block Diagram . . . . .	26
Figure 11. Si5367 Clock Multiplier Block Diagram . . . . .	27
Figure 12. Si5368 Clock Multiplier and Jitter Attenuator Block Diagram. . . . .	28
Figure 13. Si5369 Clock Multiplier and Jitter Attenuator Block Diagram. . . . .	29
Figure 14. Si5374 Functional Block Diagram . . . . .	30
Figure 15. Si5375 Functional Block Diagram . . . . .	31
Figure 16. Differential Voltage Characteristics . . . . .	32
Figure 17. Rise/Fall Time Characteristics . . . . .	32
Figure 18. SPI Timing Diagram. . . . .	38
Figure 19. Frame Synchronization Timing . . . . .	39
Figure 20. Any-Frequency Precision Clock DSPLL Block Diagram . . . . .	46
Figure 21. Clock Multiplication Circuit . . . . .	47
Figure 22. PLL Jitter Transfer Mask/Template . . . . .	48
Figure 23. Jitter Tolerance Mask/Template. . . . .	49
Figure 24. Si5316 Divisor Ratios. . . . .	51
Figure 25. Wideband PLL Divider Settings (Si5325, Si5367) . . . . .	76
Figure 26. Narrowband PLL Divider Settings (Si5319, Si5324, Si5326, Si5327, Si5368, Si5369, Si5374, Si5375) . . . . .	78
Figure 27. Si5324, Si5325, Si5326, Si5327, and Si5374 Input Clock Selection . . . . .	81
Figure 28. Si5367, Si5368, and Si5369 Input Clock Selection . . . . .	82
Figure 29. Free Run Mode Block Diagram . . . . .	85
Figure 30. Parameters in History Value of M . . . . .	87
Figure 31. Digital Hold vs. VCO Freeze Example . . . . .	89
Figure 32. Frame Sync Frequencies. . . . .	92
Figure 33. FOS Compare . . . . .	98
Figure 34. I <sup>2</sup> C Command Format . . . . .	102
Figure 35. I2C Example. . . . .	102
Figure 36. SPI Write/Set Address Command . . . . .	104
Figure 37. SPI Read Command . . . . .	104
Figure 38. Differential LVPECL Termination . . . . .	105
Figure 39. Single-Ended LVPECL Termination. . . . .	105
Figure 40. CML/LVDS Termination (1.8, 2.5, 3.3 V) . . . . .	106
Figure 41. CMOS Termination (1.8, 2.5, 3.3 V). . . . .	106
Figure 42. Typical Output Circuit (Differential) . . . . .	107

# Si53xx-RM

Figure 43. Differential Output Example Requiring Attenuation . . . . .	108
Figure 44. Typical CMOS Output Circuit (Tie CKOUTn+ and CKOUTn– Together). . . . .	108
Figure 45. CKOUT Structure. . . . .	109
Figure 46. sfout_2, CMOS. . . . .	110
Figure 47. sfout_3, lowSwingLVDS. . . . .	110
Figure 48. sfout_5, LVPECL . . . . .	111
Figure 49. sfout_6, CML . . . . .	111
Figure 50. sfout_7, LVDS . . . . .	112
Figure 51. CMOS External Reference Circuit . . . . .	113
Figure 52. Sinewave External Clock Circuit . . . . .	113
Figure 53. Differential External Reference Input Example (Not for Si5374 or Si5375) . . . . .	114
Figure 54. Differential OSC Reference Input Example for Si5374 and Si5375 . . . . .	114
Figure 55. Three Level Input Pins . . . . .	115
Figure 56. Three Level Input Pins . . . . .	116
Figure 57. Typical Power Supply Bypass Network (TQFP Package) . . . . .	117
Figure 58. Typical Power Supply Bypass Network (QFN Package) . . . . .	117
Figure 59. Typical Reference Jitter Transfer Function . . . . .	120
Figure 60. Jitter vs. f3 . . . . .	121
Figure 61. Jitter vs. f3 with FPGA . . . . .	122
Figure 62. Reference vs. Output Frequency . . . . .	123
Figure 63. Jitter vs. Reference Frequency (1 of 2) . . . . .	124
Figure 64. Jitter vs. Reference Frequency (2 of 2) . . . . .	125
Figure 65. 155.52 MHz In; 622.08 MHz Out . . . . .	126
Figure 66. 155.52 MHz In; 622.08 MHz Out; Loop BW = 7 Hz, Si5324 . . . . .	127
Figure 67. 19.44 MHz In; 156.25 MHz Out; Loop BW = 80 Hz . . . . .	128
Figure 68. 19.44 MHz In; 156.25 MHz Out; Loop BW = 5 Hz, Si5324 . . . . .	129
Figure 69. 27 MHz In; 148.35 MHz Out; Light Trace BW = 6 Hz; Dark Trace BW = 110 Hz, Si5324 . . . . .	130
Figure 70. 61.44 MHz In; 491.52 MHz Out; Loop BW = 7 Hz, Si5324 . . . . .	131
Figure 71. 622.08 MHz In; 672.16 MHz Out; Loop BW = 6.9 kHz . . . . .	132
Figure 72. 622.08 MHz In; 672.16 MHz Out; Loop BW = 100 Hz . . . . .	133
Figure 73. 156.25 MHz In; 155.52 MHz Out . . . . .	134
Figure 74. 78.125 MHz In; 644.531 MHz Out . . . . .	135
Figure 75. 78.125 MHz In; 690.569 MHz Out . . . . .	136
Figure 76. 78.125 MHz In; 693.493 MHz Out . . . . .	137
Figure 77. 86.685 MHz In; 173.371 MHz and 693.493 MHz Out . . . . .	138
Figure 78. 86.685 MHz In; 173.371 MHz Out . . . . .	139
Figure 79. 86.685 MHz In; 693.493 MHz Out . . . . .	140
Figure 80. 155.52 MHz and 156.25 MHz In; 622.08 MHz Out . . . . .	141
Figure 81. 10 MHz In; 1 GHz Out . . . . .	142
Figure 82. Si5324 and Si5326 Alarm Diagram . . . . .	144
Figure 83. Si5368 Alarm Diagram (1 of 2). . . . .	145
Figure 84. Si5368 Alarm Diagram (2 of 2). . . . .	146
Figure 85. $\pm 50$ ppm, 2 ppm Steps . . . . .	162
Figure 86. $\pm 200$ ppm, 10 ppm Steps. . . . .	163
Figure 87. $\pm 2000$ ppm, 50 ppm Steps. . . . .	163



Figure 88. RF Generator, Si5326, Si5324; No Jitter (For Reference) .....	165
Figure 89. RF Generator, Si5326, Si5324 (50 Hz Jitter) .....	165
Figure 90. RF Generator, Si5326, Si5324 (100 Hz Jitter) .....	166
Figure 91. RF Generator, Si5326, Si5324 (500 Hz Jitter) .....	166
Figure 92. RF Generator, Si5326, Si5324 (1 kHz Jitter) .....	167
Figure 93. RF Generator, Si5326, Si5324 (5 kHz Jitter) .....	167
Figure 94. RF Generator, Si5326, Si5324 (10 kHz Jitter) .....	168
Figure 95. Vdd Plane .....	169
Figure 96. Ground Plane and Reset .....	170
Figure 97. Output Clock Routing .....	171
Figure 98. OSC_P, OSC_N Routing .....	172
Figure 99. Si5374, Si5375 DSPLL A .....	174
Figure 100. Si5374, Si5375 DSPLL B .....	175
Figure 101. Si5374, Si5375 DSPLL C .....	176
Figure 102. Si5374, Si5375 DSPLL D .....	177

## LIST OF TABLES

Table 1. Product Selection Guide	14
Table 2. Product Selection Guide (Si5322/25/65/67)	15
Table 3. Recommended Operating Conditions <sup>1</sup>	32
Table 4. DC Characteristics	33
Table 5. DC Characteristics—Microprocessor Devices (Si5324, Si5325, Si5367, Si5368)	37
Table 6. SPI Specifications (Si5324, Si5325, Si5367, and Si5368)	37
Table 7. DC Characteristics—Narrowband Devices (Si5316, Si5319, Si5323, Si5366, Si5368)	38
Table 8. AC Characteristics—All Devices	40
Table 9. Jitter Generation (Si5316, Si5324, Si5366, Si5368)	44
Table 10. Jitter Generation (Si5322, Si5325, Si5365, Si5367)	44
Table 11. Thermal Characteristics	45
Table 12. Si5316, Si5322, Si5323, Si5365 and Si5366 Key Features	50
Table 13. Frequency Settings	50
Table 14. Input Divider Settings	51
Table 15. Si5316 Bandwidth Values	51
Table 16. SONET Clock Multiplication Settings (FRQTBL=L)	52
Table 17. Datacom Clock Multiplication Settings (FRQTBL = M, CK_CONF = 0)	57
Table 18. SONET to Datacom Clock Multiplication Settings	61
Table 19. Clock Output Divider Control (DIV34)	64
Table 20. Si5316, Si5322, and Si5323 Pins and Reset	66
Table 21. Si5365 and Si5366 Pins and Reset	66
Table 22. Manual Input Clock Selection (Si5316, Si5322, Si5323), AUTOSEL = L	67
Table 23. Manual Input Clock Selection (Si5365, Si5366), AUTOSEL = L	67
Table 24. Automatic/Manual Clock Selection	68
Table 25. Clock Active Indicators (AUTOSEL = M or H) (Si5322 and Si5323)	68
Table 26. Clock Active Indicators (AUTOSEL = M or H) (Si5365 and Si5367)	68
Table 27. Input Clock Priority for Auto Switching (Si5322, Si5323)	68
Table 28. Input Clock Priority for Auto Switching (Si5365, Si5366)	69
Table 29. FS_OUT Disable Control (DBLFS)	72
Table 30. Output Signal Format Selection (SFOUT)	72
Table 31. DSBL2/BYPASS Pin Settings	73
Table 32. Frequency Offset Control (FOS_CTL)	74
Table 33. Alarm Output Logic Equations	74
Table 34. Lock Detect Retrigger Time	75
Table 35. Narrowband Frequency Limits	78
Table 36. Dividers and Limits	78
Table 37. CKOUT_ALWAYS_ON and SQ_ICAL Truth Table	80
Table 38. Manual Input Clock Selection (Si5367, Si5368, Si5369)	82
Table 39. Manual Input Clock Selection (Si5324, Si5325, Si5326, Si5374)	83
Table 40. Automatic/Manual Clock Selection	83
Table 41. Input Clock Priority for Auto Switching	84

Table 42. Digital Hold History Delay . . . . .	88
Table 43. Digital Hold History Averaging Time . . . . .	88
Table 44. CKIN3/CKIN4 Frequency Selection (CK_CONF = 1) . . . . .	92
Table 45. Common NC5 Divider Settings . . . . .	93
Table 46. Alignment Alarm Trigger Threshold. . . . .	93
Table 47. Output Signal Format Selection . . . . .	95
Table 48. Loss-of-Signal Validation Times . . . . .	96
Table 49. Loss-of-Signal Registers . . . . .	96
Table 50. FOS Reference Clock Selection . . . . .	98
Table 51. CLKnRATE Registers . . . . .	98
Table 52. Alarm Output Logic Equations (Si5367, Si5368, and Si5369 [CONFIG_REG = 0]) . . . . .	99
Table 53. Alarm Output Logic Equations [Si5368 and CKCONFIG_REG = 1] . . . . .	100
Table 54. Lock Detect Retrigger Time (LOCKT) . . . . .	101
Table 55. SPI Command Format. . . . .	103
Table 56. Output Driver Configuration. . . . .	107
Table 57. Disabling Unused Output Driver . . . . .	108
Table 58. Output Format Measurements <sup>1,2</sup> . . . . .	109
Table 59. Approved Crystals. . . . .	119
Table 60. XA/XB Reference Sources and Frequencies . . . . .	119
Table 61. Jitter Values for Figure 61 . . . . .	122
Table 62. Jitter Values for Figure 62 . . . . .	123
Table 63. Jitter Values for Figure 74 . . . . .	135
Table 64. Jitter Values for Figure 75 . . . . .	136
Table 65. Jitter Values for Figure 76 . . . . .	137
Table 66. Jitter Values for Figure 77 . . . . .	138
Table 67. Jitter Values for Figure 80 . . . . .	141
Table 68. Si5316 Pullup/Down . . . . .	147
Table 69. Si5322 Pullup/Down . . . . .	147
Table 70. Si5323 Pullup/Down . . . . .	148
Table 71. Si5319, Si5324, Pullup/Down . . . . .	148
Table 72. Si5325 Pullup/Down . . . . .	149
Table 73. Si5326 Pullup/Down . . . . .	149
Table 74. Si5327 Pullup/Down . . . . .	150
Table 75. Si5365 Pullup/Down . . . . .	150
Table 76. Si5366 Pullup/Down . . . . .	151
Table 77. Si5367 Pullup/Down . . . . .	152
Table 78. Si5368 Pullup/Down . . . . .	152
Table 79. Si5369 Pullup/Down . . . . .	153
Table 80. Si5374/75 Pullup/Down . . . . .	153
Table 81. Output Format vs. Jitter . . . . .	161
Table 82. Jitter Values. . . . .	164
Table 83. Si5374/75 Crosstalk Jitter Values . . . . .	173

## 1. Any-Frequency Precision Clock Product Family Overview

Silicon Laboratories Any-Frequency Precision Clock products provide jitter attenuation and clock multiplication/clock division for applications requiring sub 1 ps rms jitter performance. The device product family is based on Silicon Laboratories' 3rd generation DSPLL technology, which provides any-frequency synthesis and jitter attenuation in a highly integrated PLL solution that eliminates the need for discrete VCXO/VCSOs and loop filter components. These devices are ideally suited for applications which require low jitter reference clocks, including OTN (OTU-1, OTU-2, OTU-3, OTU-4), OC-48/STM-16, OC-192/STM-64, OC-768/STM-256, GbE, 10GbE, Fibre Channel, 10GFC, synchronous Ethernet, wireless backhaul, wireless point-point infrastructure, broadcast video/HDTV (HD SDI, 3G SDI), test and measurement, data acquisition systems, and FPGA/ASIC reference clocking.

Table 1 provides a product selector guide for the Silicon Laboratories Any-Frequency Precision Clocks. Three product families are available. The Si5316, Si5319, Si5323, Si5324, Si5326, Si5366, and Si5368 are jitter-attenuating clock multipliers that provide ultra-low jitter generation as low as 0.30 ps RMS. The devices vary according to the number of clock inputs, number of clock outputs, and control method. The Si5316 is a fixed-frequency, pin controlled jitter attenuator that can be used in clock smoothing applications. The Si5323 and Si5366 are pin-controlled jitter-attenuating clock multipliers. The frequency plan for these pin-controlled devices is selectable from frequency lookup tables and includes common frequency translations for SONET/SDH, ITU G.709 Forward Error Correction (FEC) applications (255/238, 255/237, 255/236, 238/255, 237/255, 236/255), Gigabit Ethernet, 10G Ethernet, 1G/2G/4G/8G/10G Fibre Channel, ATM and broadcast video (Genlock). The Si5319, Si5324, Si5326, Si5327, Si5368, and Si5369 are microprocessor-controlled devices that can be controlled via an I<sup>2</sup>C or SPI interface. These microprocessor-controlled devices accept clock inputs ranging from 2 kHz to 710 MHz and generate multiple independent, synchronous clock outputs ranging from 2 kHz to 945 MHz and select frequencies to 1.4 GHz. Virtually any frequency translation combination across this operating range is supported. Independent dividers are available for every input clock and output clock, so the Si5324, Si5326, Si5327, and Si5368 can accept input clocks at different frequencies and generate output clocks at different frequencies. The Si5316, Si5319, Si5323, Si5326, Si5327, Si5366, Si5368, and Si5369 support a digitally programmable loop bandwidth that can range from 60 Hz to 8.4 kHz. An external (37–41 MHz, 55–61 MHz, 109–125.5 MHz, or 163–180 MHz) reference clock or a low-cost 114.285 MHz 3rd overtone crystal is required for these devices to enable ultra-low jitter generation and jitter attenuation. (See "Appendix A—Narrowband References" on page 119.) The Si5324 and Si5369 are much lower bandwidth devices, providing a user-programmable loop bandwidth from 4 to 525 Hz.

The Si5323, Si5324, Si5326, Si5327, Si5366, Si5368, and Si5369 support hitless switching between input clocks in compliance with GR-253-CORE and GR-1244-CORE that greatly minimizes the propagation of phase transients to the clock outputs during an input clock transition (<200 ps typ). Manual, automatic revertive and automatic non-revertive input clock switching options are available. The devices monitor the input clocks for loss-of-signal and provide a LOS alarm when missing pulses on any of the input clocks are detected. The devices monitor the lock status of the PLL and provide a LOL alarm when the PLL is unlocked. The lock detect algorithm works by continuously monitoring the phase of the selected input clock in relation to the phase of the feedback clock. The Si5326, Si5366, Si5368, and Si5369 monitor the frequency of the input clocks with respect to a reference frequency applied to an input clock or the XA/XB input, and generates a frequency offset alarm (FOS) if the threshold is exceeded. This FOS feature is available for SONET/SDH applications. Both Stratum 3/3E and SONET Minimum Clock (SMC) FOS thresholds are supported.

The Si5319, Si5323, Si5324, Si5326, Si5366, Si5368, and Si5369 provide a digital hold capability that allows the device to continue generation of a stable output clock when the selected input reference is lost. During digital hold, the DSPLL generates an output frequency based on a historical average that existed a fixed amount of time before the error event occurred, eliminating the effects of phase and frequency transients that may occur immediately preceding entry into digital hold.

The Si5322, Si5325, Si5365, and Si5367 are frequency flexible, low jitter clock multipliers that provide jitter generation of 0.6 ps RMS without jitter attenuation. These devices provide low jitter integer clock multiplication or fractional clock synthesis, but they are not as frequency-flexible as the Si5319/23/24/26/66/68/69. The devices vary according to the number of clock inputs, number of clock outputs, and control method. The Si5322 and Si5365 are pin-controlled clock multipliers. The frequency plan for these devices is selectable from frequency lookup tables.

A wide range of settings are available, but they are a subset of the frequency plans supported by the Si5323 and Si5366 jitter-attenuating clock multipliers. The Si5325 and Si5367 are microprocessor-controlled clock multipliers that can be controlled via an I<sup>2</sup>C or SPI interface.

These devices accept clock inputs ranging from 10 MHz to 710 MHz and generate multiple independent, synchronous clock outputs ranging from 10 MHz to 945 MHz and select frequencies to 1.4 GHz. The Si5325 and Si5367 support a subset of the frequency translations available in the Si5319, Si5324, Si5326, Si5327, Si5368, and Si5369 jitter-attenuating clock multipliers. The Si5325 and Si5367 can accept input clocks at different frequencies and generate output clocks at different frequencies. The Si5322, Si5325, Si5365, and Si5367 support a digitally programmable loop bandwidth that ranges from 150 kHz to 1.3 MHz. No external components are required for these devices. LOS and FOS monitoring is available for these devices, as described above.

The Si5374 and Si5375 are quad DSPLL versions of the Si5324 and Si5319, respectively. Each of the four DSPLLs can operate at completely independent frequencies. The only resources that they share are a common I<sup>2</sup>C bus and a common XA/XB jitter reference oscillator. The Si5375 consists of four one-input and one-output DSPLLs. The Si5374 consists of four two-input and two-output DSPLLs with very low loop bandwidth.

The Any-Frequency Precision Clocks have differential clock output(s) with programmable signal formats to support LVPECL, LVDS, CML, and CMOS loads. If the CMOS signal format is selected, each differential output buffer generates two in-phase CMOS clocks at the same frequency. For system-level debugging, a PLL bypass mode drives the clock output directly from the selected input clock, bypassing the internal PLL.

Silicon Laboratories offers a PC-based software utility, *DSPLLsim*, that can be used to determine valid frequency plans and loop bandwidth settings for the Any-Frequency Precision Clock product family. For the microprocessor-controlled devices, *DSPLLsim* provides the optimum PLL divider settings for a given input frequency/clock multiplication ratio combination that minimizes phase noise and power consumption. Two *DSPLLsim* configuration software applications are available for the 1-PLL and 4-PLL devices, respectively. *DSPLLsim* can also be used to simplify device selection and configuration. This utility can be downloaded from <http://www.silabs.com/timing>. Other useful documentation, including device data sheets and programming files for the microprocessor-controlled devices are available from this website.

# Si53xx-RM

**Table 1. Product Selection Guide**

Part Number	Control	Number of Inputs and Outputs	Input Frequency (MHz)*	Output Frequency (MHz)*	RMS Phase Jitter (12 kHz–20 MHz)	PLL Bandwidth	Hitless Switching	Free Run Mode	Package
Si5315	Pin	1PLL, 2   2	0.008–644	0.008–644	0.45 ps	60 Hz to 8 kHz	•		6x6 mm 36-QFN
Si5316	Pin	1PLL, 2   1	19–710	19–710	0.3 ps	60 Hz to 8 kHz			6x6 mm 36-QFN
Si5317	Pin	1PLL, 1   2	1–710	1–710	0.3 ps	60 Hz to 8 kHz			6x6 mm 36-QFN
Si5319	I <sup>2</sup> C/SPI	1PLL, 1   1	0.002–710	0.002–1417	0.3 ps	60 Hz to 8 kHz		•	6x6 mm 36-QFN
Si5323	Pin	1PLL, 2   2	0.008–707	0.008–1050	0.3 ps	60 Hz to 8 kHz	•		6x6 mm 36-QFN
Si5324	I <sup>2</sup> C/SPI	1PLL, 2   2	0.002–710	0.002–1417	0.3 ps	4 Hz to 525 Hz	•	•	6x6 mm 36-QFN
Si5326	I <sup>2</sup> C/SPI	1PLL, 2   2	0.002–710	0.002–1417	0.3 ps	60 Hz to 8 kHz	•	•	6x6 mm 36-QFN
Si5327	I <sup>2</sup> C/SPI	1PLL, 2   2	0.002–710	0.002–808	0.5 ps	60 Hz to 8 kHz	•	•	6x6 mm 36-QFN
Si5366	Pin	1PLL, 4   5	0.008–707	0.008–1050	0.3 ps	60 Hz to 8 kHz	•		14x14 mm 100-TQFP
Si5368	I <sup>2</sup> C/SPI	1PLL, 4   5	0.002–710	0.002–1417	0.3 ps	60 Hz to 8 kHz	•	•	14x14 mm 100-TQFP
Si5369	I <sup>2</sup> C/SPI	1PLL, 4   5	0.002–710	0.002–1417	0.3 ps	4 Hz to 525 Hz	•	•	14x14 mm 100-TQFP
Si5374	I <sup>2</sup> C	4PLL, 8   8	0.002–710	0.002–808	0.4 ps	4 Hz to 525 Hz	•	•	10x10 mm 80-BGA
Si5375	I <sup>2</sup> C	4PLL, 4   4	0.002–710	0.002–808	0.4 ps	60 Hz to 8 kHz	•	•	10x10 mm 80-BGA

**\*Note:** Maximum input and output rates may be limited by speed rating of device. See each device's data sheet for ordering information.

Table 2. Product Selection Guide (Si5322/25/65/67)

Device	Clock Inputs	Clock Outputs	µP Control	Max Input Freq (MHz) <sup>1</sup>	Max Output Frequency (MHz)	Jitter Generation (12 kHz – 20 MHz)	LOS	Hitless Switching	FOS Alarm	LOL Alarm	FSYNC Realignment	36 Lead 6 mm x 6 mm QFN	100 Lead 14 x 14 mm TQFP	1.8, 2.5, 3.3 V Operation	1.8, 2.5 V Operation
<b>Low Jitter Precision Clock Multipliers (Wideband)</b>															
Si5322	2	2		707	1050	0.6 ps rms typ	•					•		•	
Si5325	2	2	•	710	1400	0.6 ps rms typ	•		•			•		•	
Si5365	4	5		707	1050	0.6 ps rms typ	•		•				•		•
Si5367	4	5	•	710	1400	0.6 ps rms typ	•		•				•		•
<b>Notes:</b>															
1. Maximum input and output rates may be limited by speed rating of device. See each device's data sheet for ordering information.															
2. Requires external low-cost, fixed frequency 3rd overtone 114.285 MHz crystal or reference clock. See "Table 60.XA/XB Reference Sources and Frequencies" on page 119.															

## 2. Narrowband vs. Wideband Overview

The narrowband (NB) devices offer a number of features and capabilities that are not available with the wideband (WB) devices, as outlined in the below list:

- Broader set of frequency plans due to more divisor options
- Hitless switching between input clocks
- Lower minimum input clock frequency
- Lower loop bandwidth
- Digital Hold (reference-based holdover instead of VCO freeze)
- FRAMESYNC realignment
- CLAT and FLAT (input to output skew adjust)
- INC and DEC pins
- PLL Loss of Lock status indicator
- FOS is not supported.



### 3. Any-Frequency Clock Family Members

#### 3.1. Si5316

The Si5316 is a low jitter, precision jitter attenuator for high-speed communication systems, including OC-48, OC-192, 10G Ethernet, and 10G Fibre Channel. The Si5316 accepts dual clock inputs in the 19, 38, 77, 155, 311, or 622 MHz frequency range and generates a jitter-attenuated clock output at the same frequency. Within each of these clock ranges, the device can be tuned approximately 14% higher than nominal SONET/SDH frequencies, up to a maximum of 710 MHz in the 622 MHz range. The DSPLL loop bandwidth is digitally selectable, providing jitter performance optimization at the application level. Operating from a single 1.8, 2.5, or 3.3 V supply, the Si5316 is ideal for providing jitter attenuation in high performance timing applications. See "6. Pin Control Parts (Si5316, Si5322, Si5323, Si5365, Si5366)" on page 50 for a complete description.

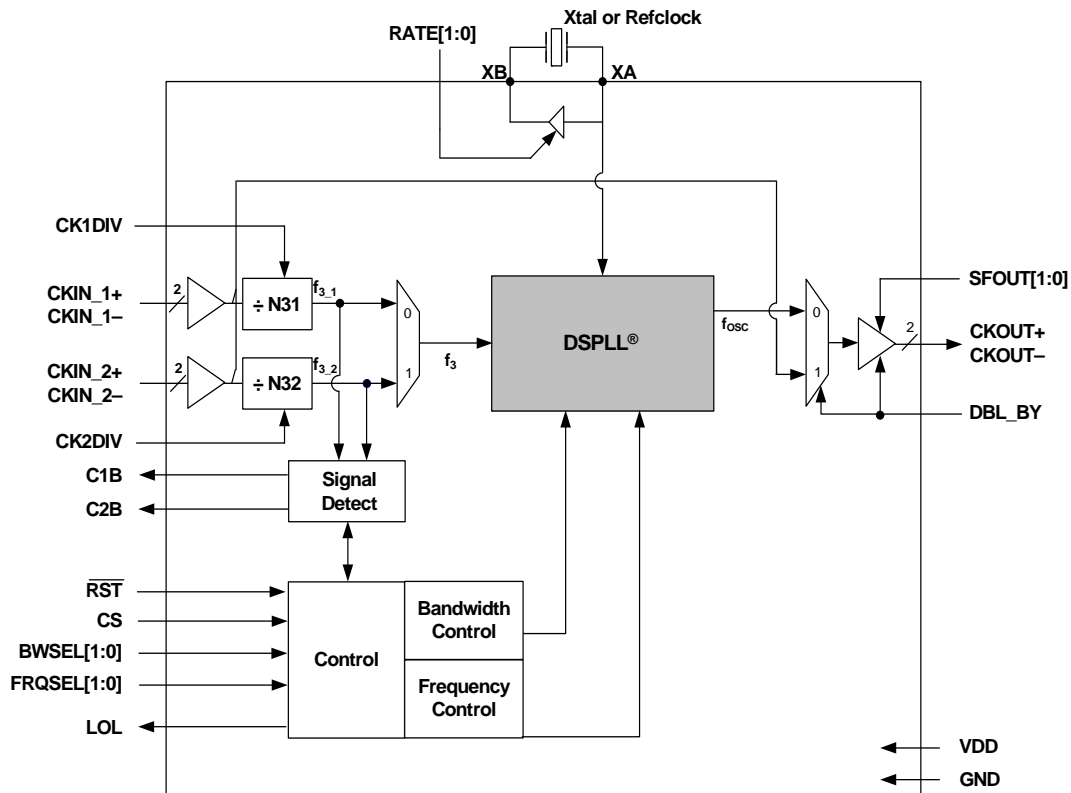


Figure 1. Si5316 Any-Frequency Jitter Attenuator Block Diagram

# Si53xx-RM

## 3.2. Si5319

The Si5319 is a jitter-attenuating precision M/N clock multiplier for applications requiring sub 1 ps jitter performance. The Si5319 accepts one clock input ranging from 2 kHz to 710 MHz and generates one clock output ranging from 2 kHz to 945 MHz and select frequencies to 1.4 GHz. The Si5319 can also use its crystal oscillator as a clock source for frequency synthesis. The device provides virtually any frequency translation combination across this operating range. The Si5319 input clock frequency and clock multiplication ratio are programmable through an I2C or SPI interface. The Si5319 is based on Silicon Laboratories' 3rd-generation DSPLL<sup>®</sup> technology, which provides any-frequency synthesis and jitter attenuation in a highly integrated PLL solution that eliminates the need for external VCXO and loop filter components. The DSPLL loop bandwidth is digitally programmable, providing jitter performance optimization at the application level. Operating from a single 1.8, 2.5, or 3.3 V supply, the Si5319 is ideal for providing clock multiplication and jitter attenuation in high performance timing applications. See "7. Microprocessor Controlled Parts (Si5319, Si5324, Si5325, Si5326, Si5327, Si5367, Si5368, Si5369, Si5374, Si5375)" on page 76 for a complete description.

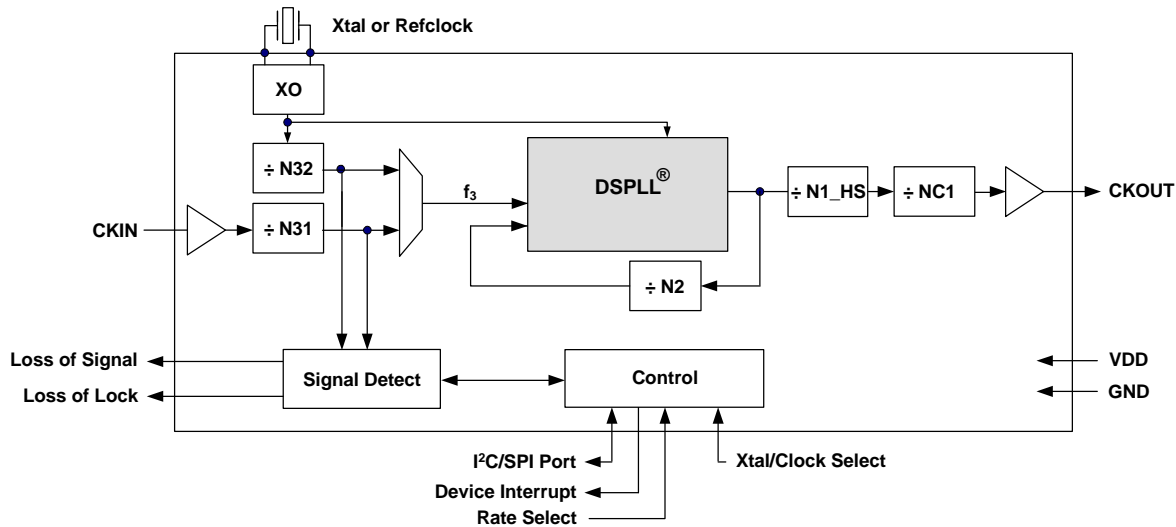


Figure 2. Si5319 Any-Frequency Jitter Attenuating Clock Multiplier Block Diagram

### 3.3. Si5322

The Si5322 is a low jitter, precision clock multiplier for applications requiring clock multiplication without jitter attenuation. The Si5322 accepts dual clock inputs ranging from 19.44 to 707 MHz and generates two frequency-multiplied clock outputs ranging from 19.44 to 1050 MHz. The input clock frequency and clock multiplication ratio are selectable from a table of popular SONET, Ethernet, Fibre Channel, and broadcast video (HD SDI, 3G SDI) rates. The DSPLL loop bandwidth is digitally selectable from 150 kHz to 1.3 MHz. Operating from a single 1.8, 2.5, or 3.3 V supply, the Si5322 is ideal for providing low jitter clock multiplication in high performance timing applications. See "6. Pin Control Parts (Si5316, Si5322, Si5323, Si5365, Si5366)" on page 50 for a complete description.

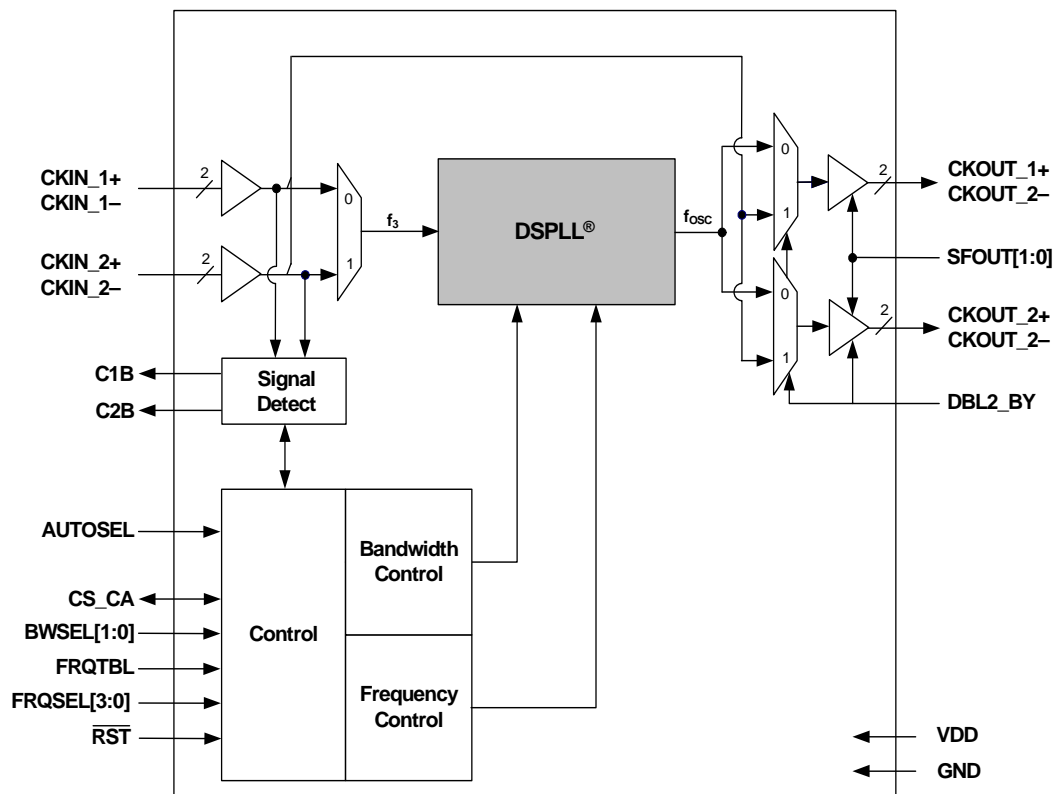


Figure 3. Si5322 Low Jitter Clock Multiplier Block Diagram

# Si53xx-RM

## 3.4. Si5323

The Si5323 is a jitter-attenuating precision clock multiplier for high-speed communication systems, including SONET OC-48/OC-192, Ethernet, Fibre Channel, and broadcast video (HD SDI, 3G SDI). The Si5323 accepts dual clock inputs ranging from 8 kHz to 707 MHz and generates two frequency-multiplied clock outputs ranging from 8 kHz to 1050 MHz. The input clock frequency and clock multiplication ratio are selectable from a table of popular SONET, Ethernet, Fibre Channel, and broadcast video rates. The DSPLL loop bandwidth is digitally selectable, providing jitter performance optimization at the application level. Operating from a single 1.8, 2.5, or 3.3 V supply, the Si5323 is ideal for providing clock multiplication and jitter attenuation in high-performance timing applications. See "6. Pin Control Parts (Si5316, Si5322, Si5323, Si5365, Si5366)" on page 50 for a complete description.

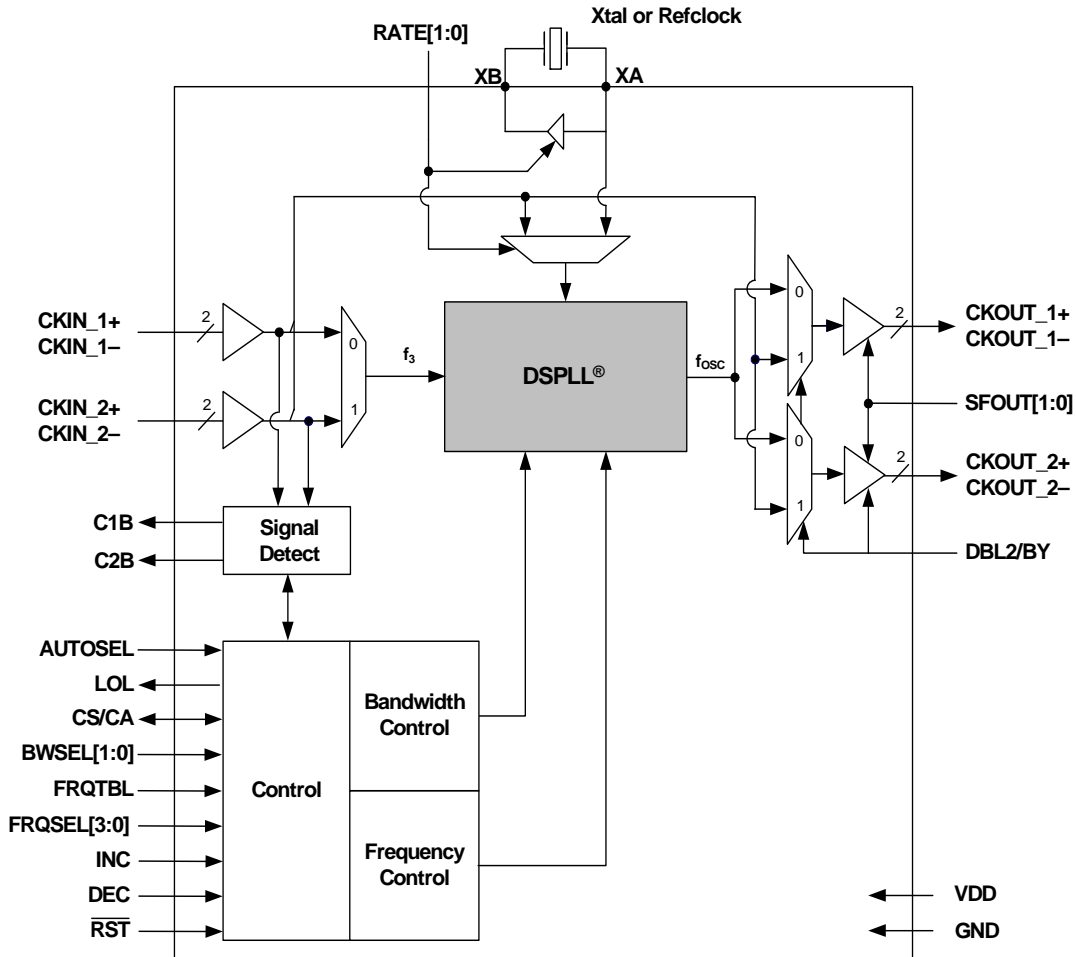


Figure 4. Si5323 Jitter Attenuating Clock Multiplier Block Diagram

### 3.5. Si5324

The Si5324 is a jitter-attenuating precision clock multiplier for applications requiring sub 1 ps jitter performance. The Si5324 accepts dual clock inputs ranging from 2 kHz to 710 MHz and generates two independent, synchronous clock outputs ranging from 2 kHz to 945 MHz and select frequencies to 1.4 GHz. The device provides virtually any frequency translation combination across this operating range. The Si5324 input clock frequency and clock multiplication ratios are programmable through an I<sup>2</sup>C or SPI interface. The DSPLL loop bandwidth is digitally programmable, providing jitter performance optimization at the application level. The Si5324 features loop bandwidth values as low as 4 Hz. Operating from a single 1.8, 2.5, or 3.3 V supply, the Si5324 is ideal for providing clock multiplication and jitter attenuation in high-performance timing applications. See "7. Microprocessor Controlled Parts (Si5319, Si5324, Si5325, Si5326, Si5327, Si5367, Si5368, Si5369, Si5374, Si5375)" on page 76 for a complete description.

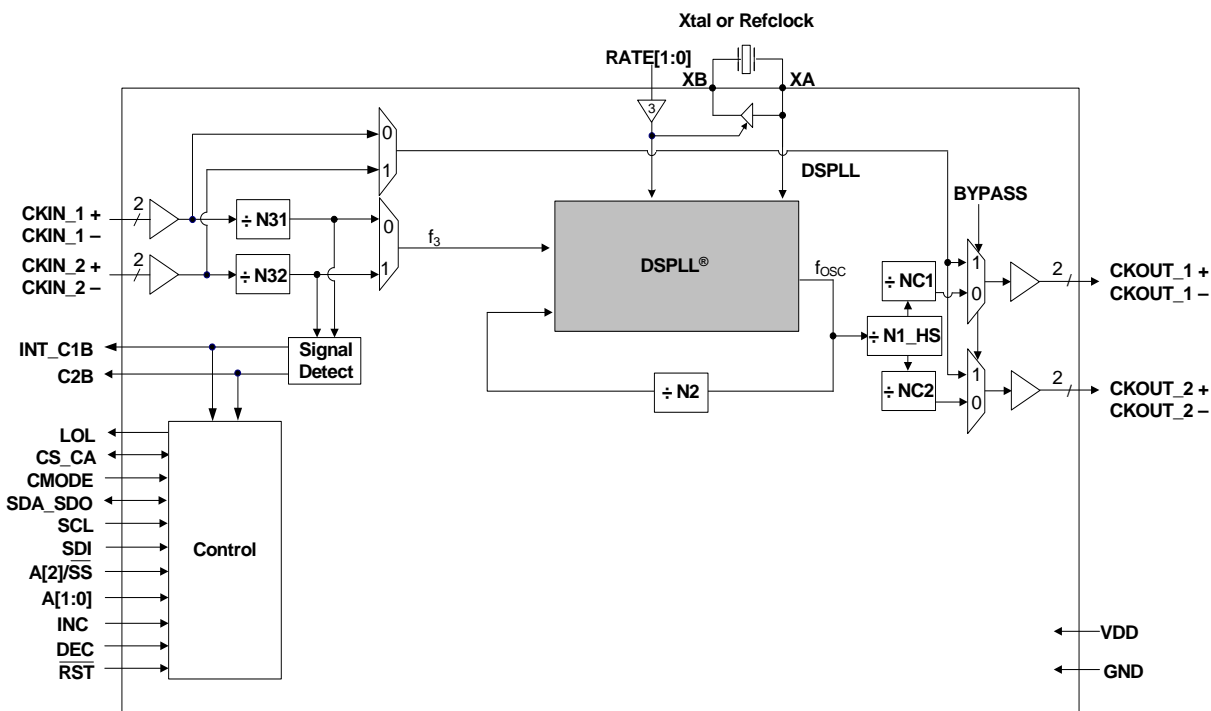


Figure 5. Si5324 Clock Multiplier and Jitter Attenuator Block Diagram

# Si53xx-RM

## 3.6. Si5325

The Si5325 is a low jitter, precision clock multiplier for applications requiring clock multiplication without jitter attenuation. The Si5325 accepts dual clock inputs ranging from 10 to 710 MHz and generates two independent, synchronous clock outputs ranging from 2 kHz to 945 MHz and select frequencies to 1.4 GHz. The Si5325 input clock frequency and clock multiplication ratios are programmable through an I<sup>2</sup>C or SPI interface. The DSPLL loop bandwidth is digitally programmable from 150 kHz to 1.3 MHz. Operating from a single 1.8, 2.5, or 3.3 V supply, the Si5325 is ideal for providing clock multiplication in high performance timing applications. See "7. Microprocessor Controlled Parts (Si5319, Si5324, Si5325, Si5326, Si5327, Si5367, Si5368, Si5369, Si5374, Si5375)" on page 76 for a complete description.

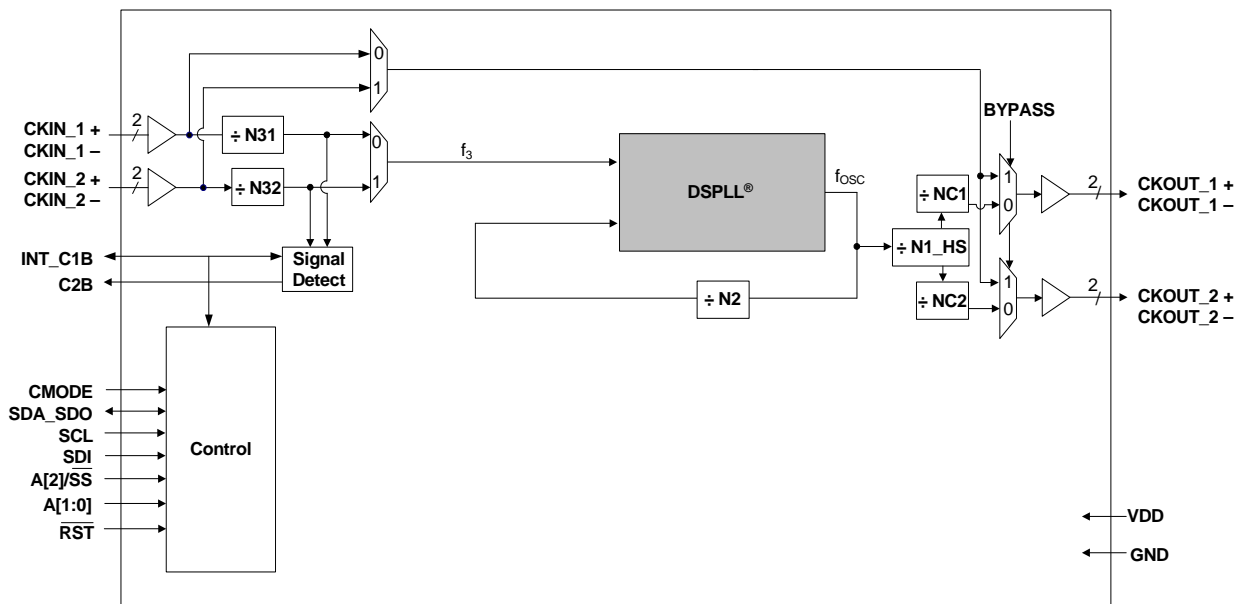


Figure 6. Si5325 Low Jitter Clock Multiplier Block Diagram

### 3.7. Si5326

The Si5326 is a jitter-attenuating precision clock multiplier for applications requiring sub 1 ps jitter performance. The Si5326 accepts dual clock inputs ranging from 2 kHz to 710 MHz and generates two independent, synchronous clock outputs ranging from 2 kHz to 945 MHz and select frequencies to 1.4 GHz. The device provides virtually any frequency translation combination across this operating range. The Si5326 input clock frequency and clock multiplication ratios are programmable through an I<sup>2</sup>C or SPI interface. The DSPLL loop bandwidth is digitally programmable from 60 Hz to 8 kHz, providing jitter performance optimization at the application level. Operating from a single 1.8, 2.5, or 3.3 V supply, the Si5326 is ideal for providing clock multiplication and jitter attenuation in high-performance timing applications. See "7. Microprocessor Controlled Parts (Si5319, Si5324, Si5325, Si5326, Si5327, Si5367, Si5368, Si5369, Si5374, Si5375)" on page 76 for a complete description.

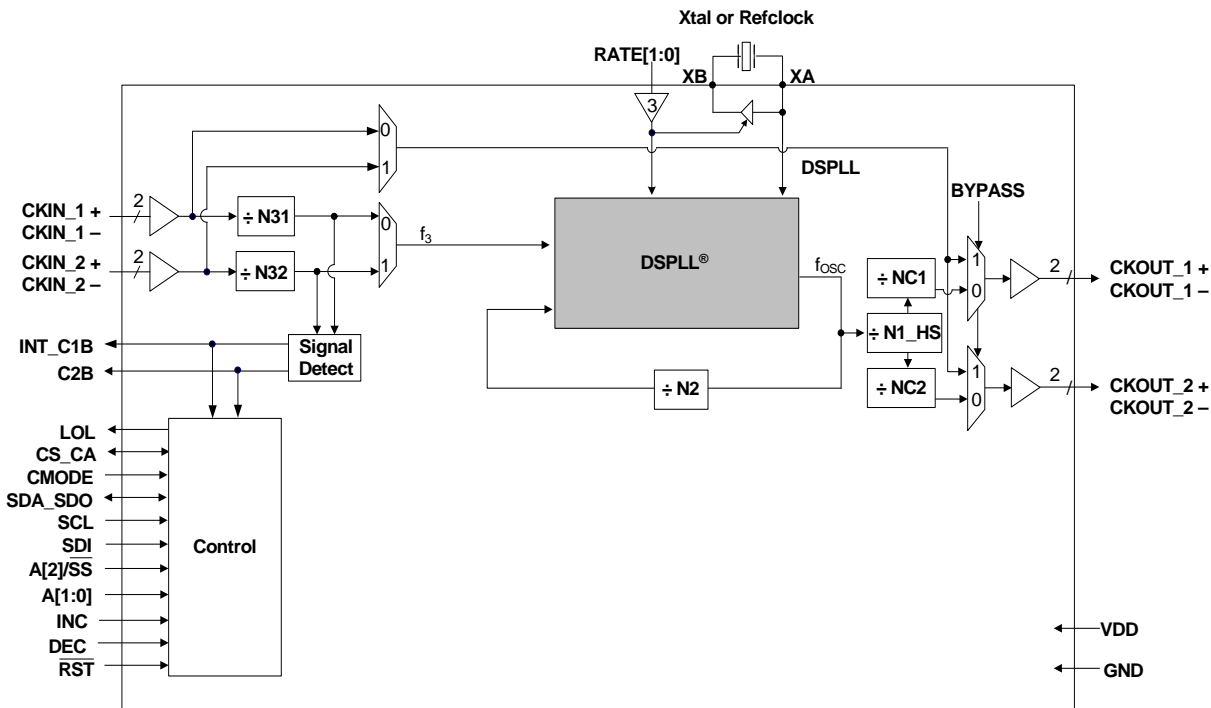


Figure 7. Si5326 Clock Multiplier and Jitter Attenuator Block Diagram

# Si53xx-RM

## 3.8. Si5327

The Si5327 is a jitter-attenuating precision clock multiplier for applications requiring sub 1 ps jitter performance. The Si5327 accepts dual clock inputs ranging from 2 kHz to 710 MHz and generates two independent, synchronous clock outputs ranging from 2 kHz to 808 MHz. The device provides virtually any frequency translation combination across this operating range. The Si5327 input clock frequency and clock multiplication ratios are programmable through an I<sup>2</sup>C or SPI interface. The DSPLL loop bandwidth is digitally programmable, providing jitter performance optimization at the application level. The Si5327 features loop bandwidth values as low as 4 Hz. Operating from a single 1.8, 2.5, or 3.3 V supply, the Si5327 is ideal for providing clock multiplication and jitter attenuation in high-performance timing applications. See "7. Microprocessor Controlled Parts (Si5319, Si5324, Si5325, Si5326, Si5327, Si5367, Si5368, Si5369, Si5374, Si5375)" on page 76 for a complete description.

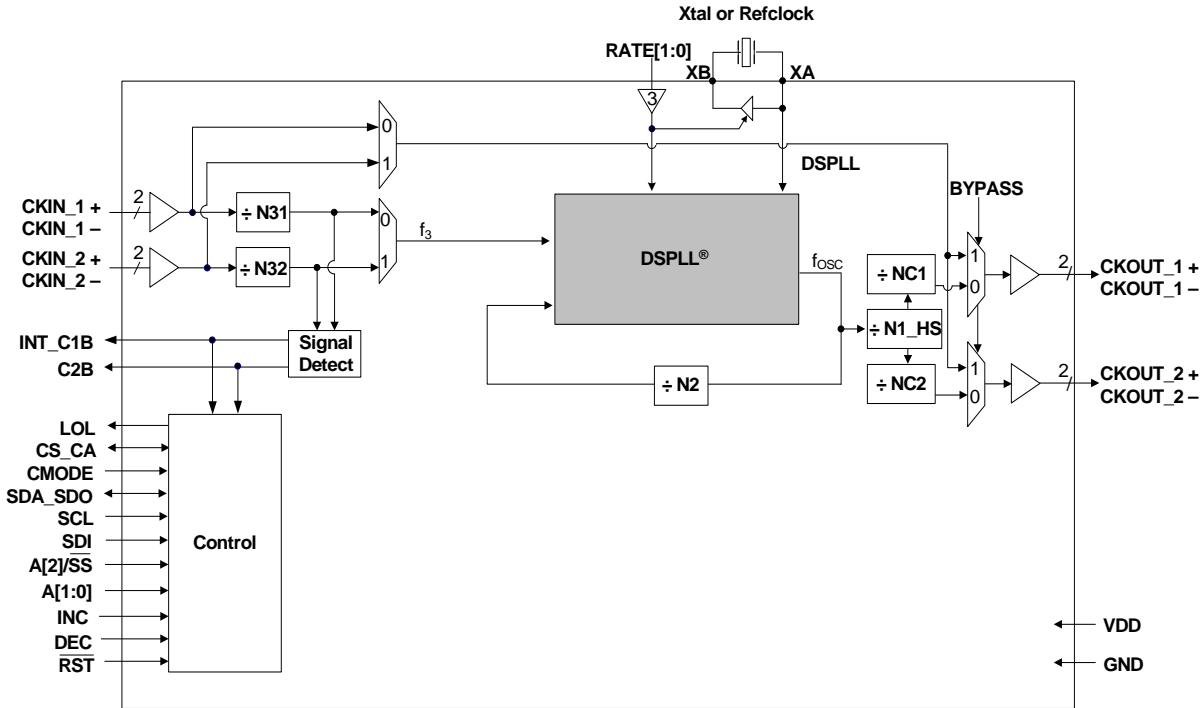


Figure 8. Si5327 Clock Multiplier and Jitter Attenuator Block Diagram



### 3.9. Si5365

The Si5365 is a low jitter, precision clock multiplier for applications requiring clock multiplication without jitter attenuation. The Si5365 accepts four clock inputs ranging from 19.44 MHz to 707 MHz and generates five frequency-multiplied clock outputs ranging from 19.44 MHz to 1050 MHz. The input clock frequency and clock multiplication ratio are selectable from a table of popular SONET, Ethernet, Fibre Channel, and broadcast video rates. The DSPLL loop bandwidth is digitally selectable. Operating from a single 1.8, 2.5 V, or 3.3 V supply, the Si5365 is ideal for providing clock multiplication in high performance timing applications. See "6. Pin Control Parts (Si5316, Si5322, Si5323, Si5365, Si5366)" on page 50 for a complete description.

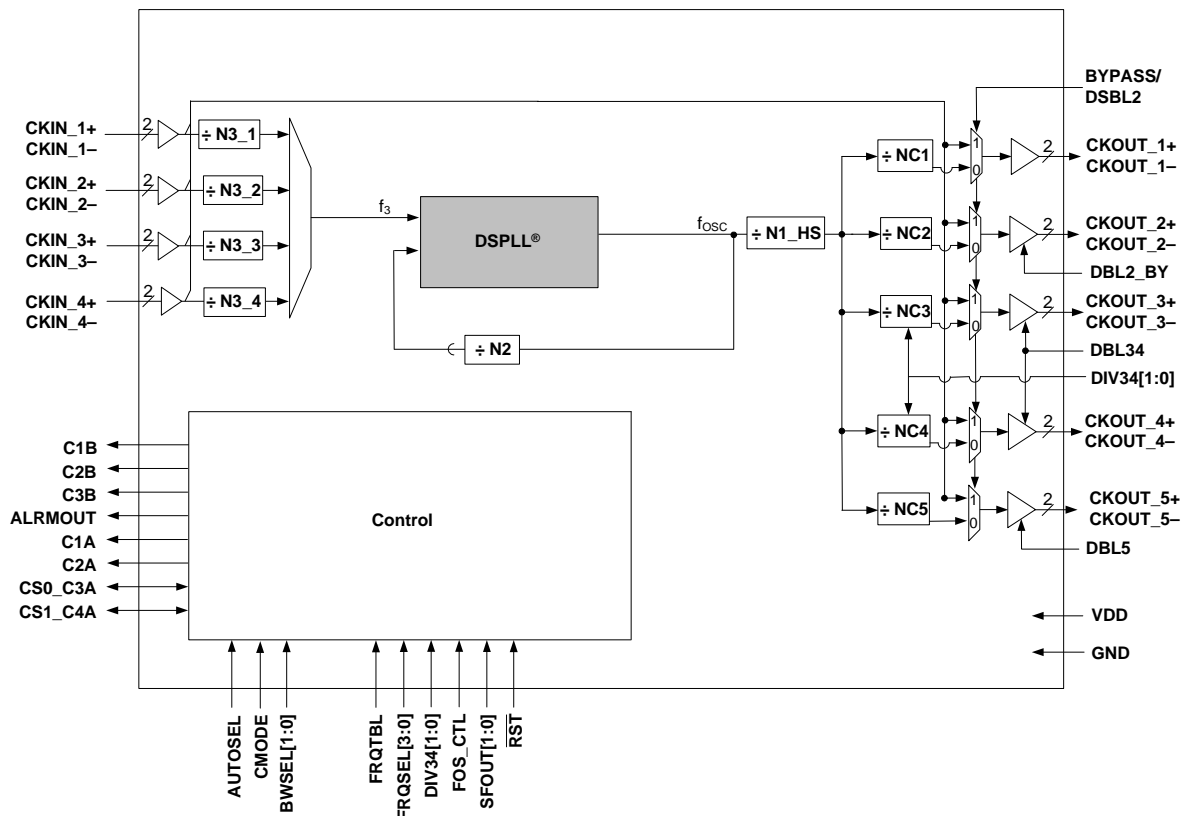


Figure 9. Si5365 Low Jitter Clock Multiplier Block Diagram

# Si53xx-RM

## 3.10. Si5366

The Si5366 is a jitter-attenuating precision clock multiplier for high-speed communication systems, including SONET OC-48/OC-192, Ethernet, and Fibre Channel. The Si5366 accepts four clock inputs ranging from 8 kHz to 707 MHz and generates five frequency-multiplied clock outputs ranging from 8 kHz to 1050 MHz. The input clock frequency and clock multiplication ratio are selectable from a table of popular SONET, Ethernet, Fibre Channel, and broadcast video (HD SDI, 3G SDI) rates. The DSPPLL loop bandwidth is digitally selectable from 60 Hz to 8 kHz, providing jitter performance optimization at the application level. Operating from a single 1.8, 2.5, or 3.3 V supply, the Si5366 is ideal for providing clock multiplication and jitter attenuation in high performance timing applications. See "6. Pin Control Parts (Si5316, Si5322, Si5323, Si5365, Si5366)" on page 50 for a complete description.

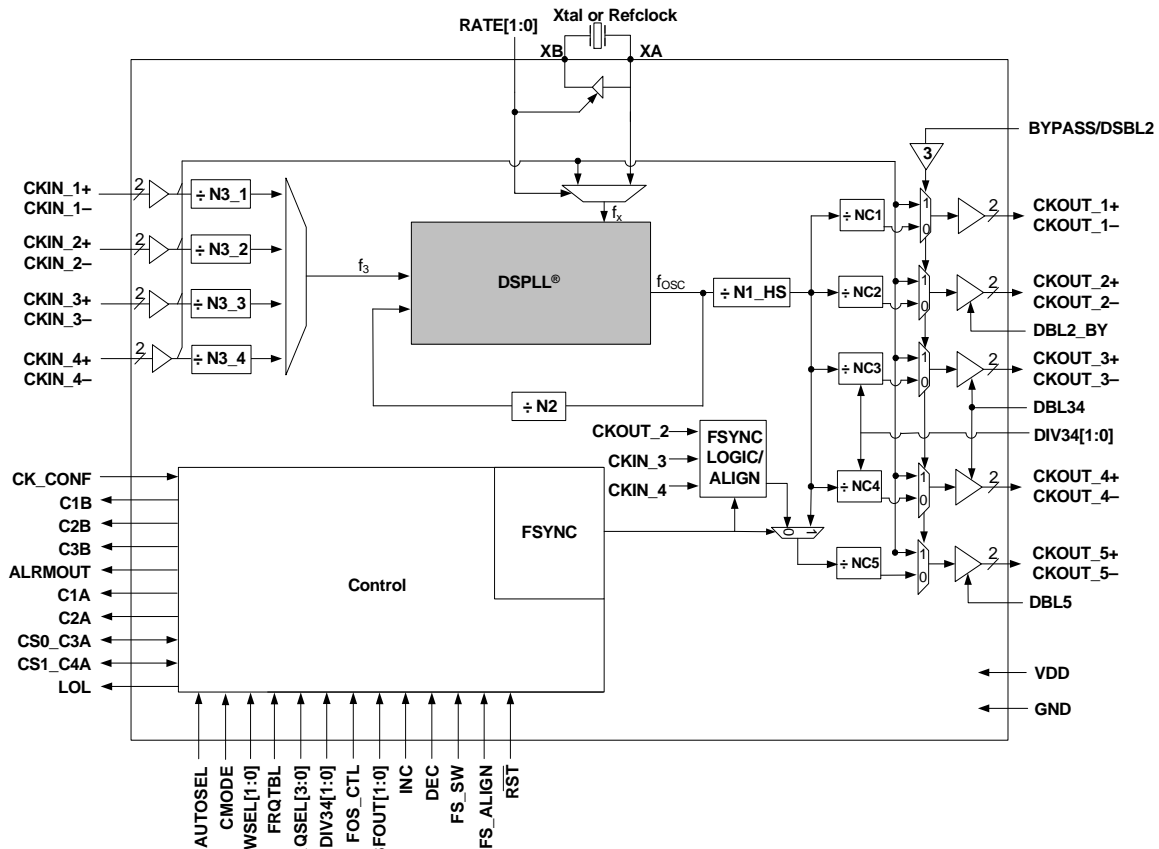


Figure 10. Si5366 Jitter Attenuating Clock Multiplier Block Diagram

### 3.11. Si5367

The Si5367 is a low jitter, precision clock multiplier for applications requiring clock multiplication without jitter attenuation. The Si5367 accepts four clock inputs ranging from 10 to 707 MHz and generates five frequency-multiplied clock outputs ranging from 2 kHz to 945 MHz and select frequencies to 1.4 GHz. The Si5367 input clock frequency and clock multiplication ratio are programmable through an I<sup>2</sup>C or SPI interface. The DSPLL loop bandwidth is digitally programmable from 150 kHz to 1.3 MHz. Operating from a single 1.8, 2.5, or 3.3 V supply, the Si5367 is ideal for providing clock multiplication in high performance timing applications. See "7. Microprocessor Controlled Parts (Si5319, Si5324, Si5325, Si5326, Si5327, Si5367, Si5368, Si5369, Si5374, Si5375)" on page 76 for a complete description.

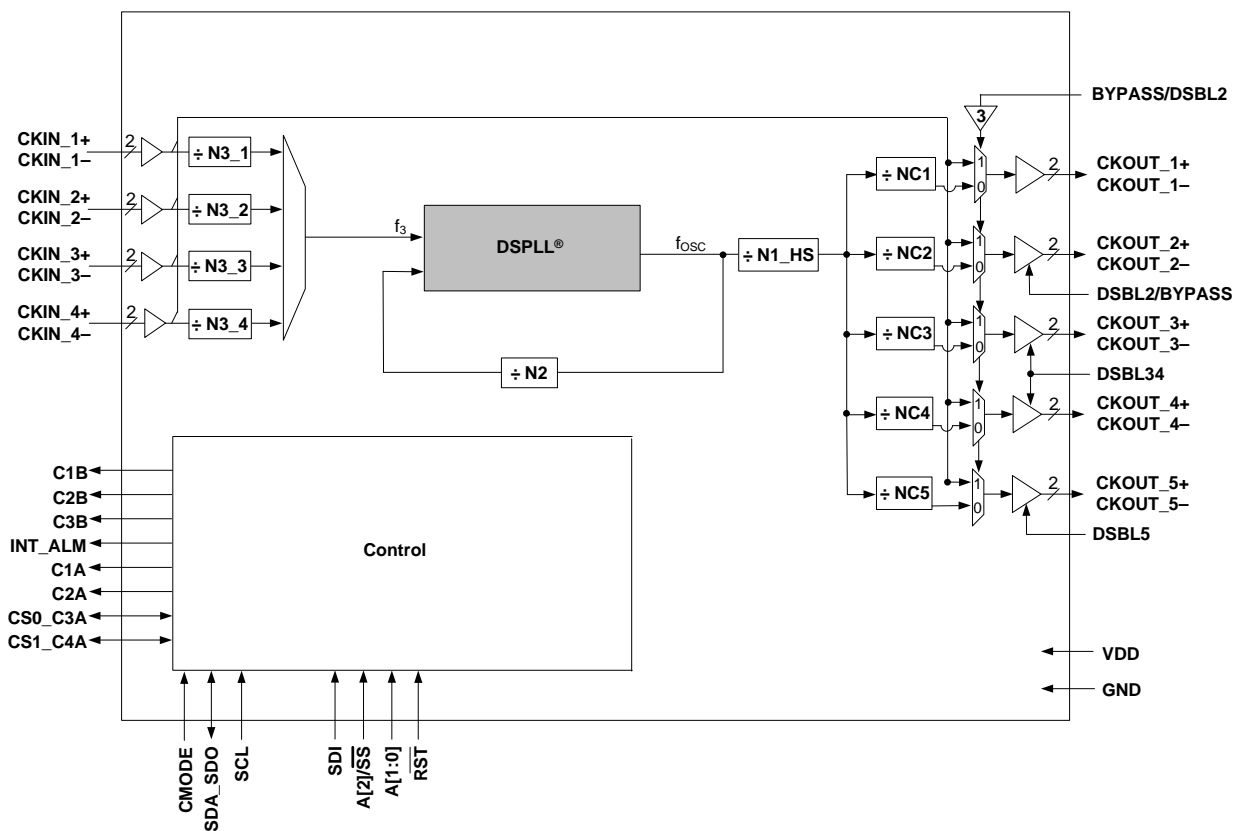


Figure 11. Si5367 Clock Multiplier Block Diagram

# Si53xx-RM

## 3.12. Si5368

The Si5368 is a jitter-attenuating precision clock multiplier for applications requiring sub 1 ps rms jitter performance. The Si5368 accepts four clock inputs ranging from 2 kHz to 710 MHz and generates five independent, synchronous clock outputs ranging from 2 kHz to 945 MHz and select frequencies to 1.4 GHz. The device provides virtually any frequency translation combination across this operating range. The Si5368 input clock frequency and clock multiplication ratio are programmable through an I<sup>2</sup>C or SPI interface. The DSPLL loop bandwidth is digitally programmable from 60 Hz to 8 kHz, providing jitter performance optimization at the application level. Operating from a single 1.8, 2.5, or 3.3 V supply, the Si5368 is ideal for providing clock multiplication and jitter attenuation in high performance timing applications. See "7. Microprocessor Controlled Parts (Si5319, Si5324, Si5325, Si5326, Si5327, Si5367, Si5368, Si5369, Si5374, Si5375)" on page 76 for a complete description.

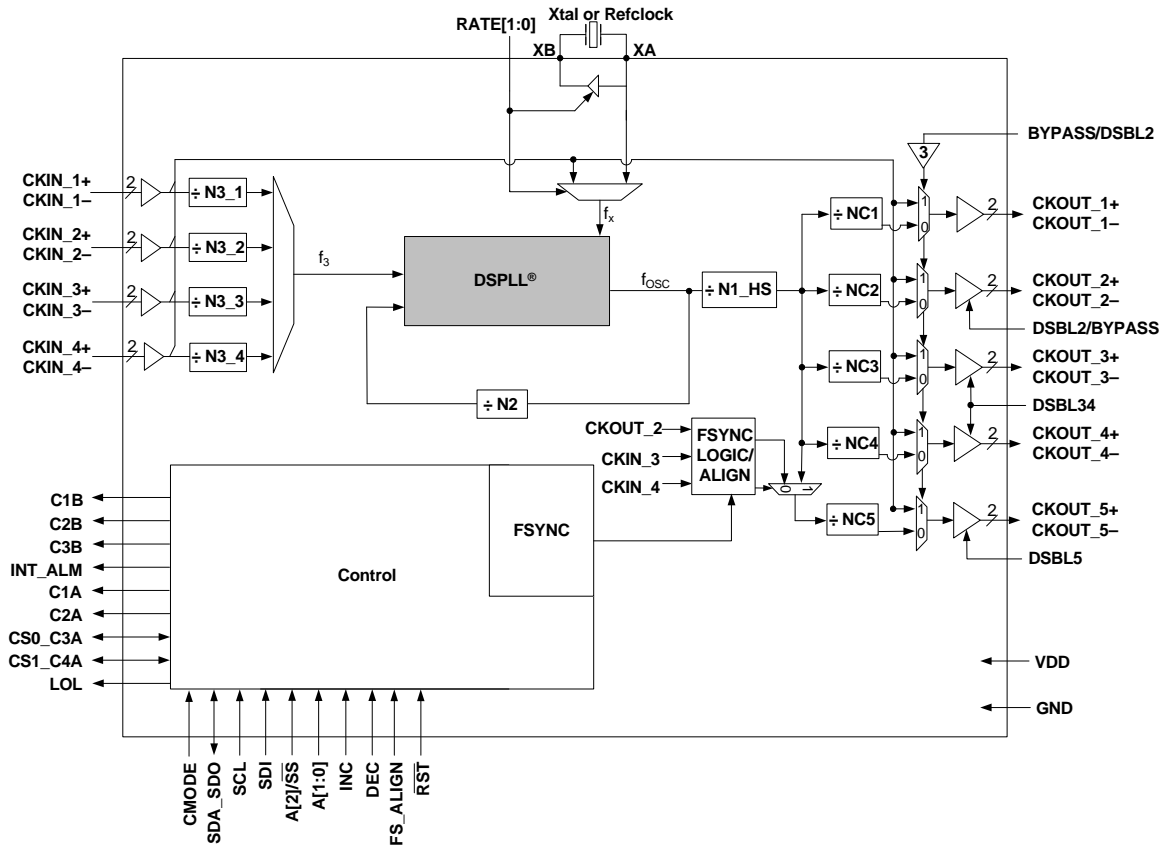


Figure 12. Si5368 Clock Multiplier and Jitter Attenuator Block Diagram

### 3.13. Si5369

The Si5369 is a jitter-attenuating precision clock multiplier for applications requiring sub 1 ps rms jitter performance. The Si5369 accepts four clock inputs ranging from 2 kHz to 710 MHz and generates five independent, synchronous clock outputs ranging from 2 kHz to 945 MHz and select frequencies to 1.4 GHz. The device provides virtually any frequency translation combination across this operating range. The Si5369 input clock frequency and clock multiplication ratio are programmable through an I<sup>2</sup>C or SPI interface. The DSPLL loop bandwidth is digitally programmable, providing loop bandwidth values as low as 4 Hz. Operating from a single 1.8, 2.5, or 3.3 V supply, the Si5369 is ideal for providing clock multiplication and jitter attenuation in high performance timing applications. See "7. Microprocessor Controlled Parts (Si5319, Si5324, Si5325, Si5326, Si5327, Si5367, Si5368, Si5369, Si5374, Si5375)" on page 76 for a complete description.

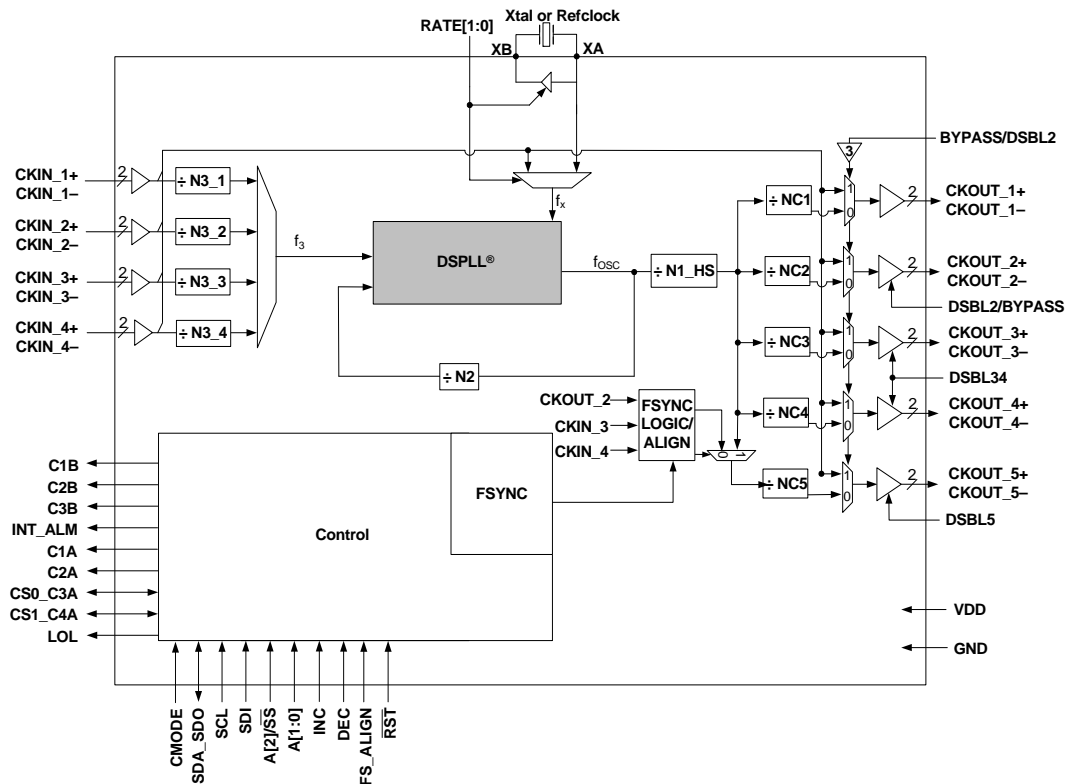


Figure 13. Si5369 Clock Multiplier and Jitter Attenuator Block Diagram

### 3.14. Si5374/75 Compared to Si5324/19

In general, the Si5374 can be viewed as a quad version of the Si5324 and the Si5375 can be viewed as a quad version of the Si5319. However, there are not exactly the same. This is an overview of the differences:

1. The Si5374/75 cannot use a crystal as its OSC reference. It requires the use of a single external single-ended or differential crystal oscillator.
2. The Si5374/75 only supports I<sup>2</sup>C as its serial port protocol and does not have SPI. No I<sup>2</sup>C address pins are available on the Si5374/75.
3. The Si5374/75 does not provide separate INT\_CK1B and CK2B pins to indicate when CKIN1 and CKIN2 do not have valid clock inputs. Instead, the IRQ pin can be programmed to function as one pin, the other pin or both.
4. Selection of the OSC frequency is done by a register (RATE\_REG), not by using the RATE pins.
5. The Si5374/75 uses a different version of DSPLLsim: Si537xDSPLLsim.
6. The Si5374/75 does not support 3.3 V operation.

# Si53xx-RM

## 3.15. Si5374

The Si5374 is a highly integrated, 4-PLL jitter-attenuating precision clock multiplier for applications requiring sub 1 ps jitter performance. Each of the DSPLL® clock multiplier engines accepts two input clocks ranging from 2 kHz to 710 MHz and generates two independent, synchronous output clocks ranging from 2 kHz to 808 MHz. Each DSPLL provides virtually any frequency translation across this operating range. For asynchronous, free-running clock generation applications, the Si5374's reference oscillator can be used as a clock source for the four DSPLLs. The Si5374 input clock frequency and clock multiplication ratio are programmable through an I2C interface. The Si5374 is based on Silicon Laboratories' 3rd-generation DSPLL® technology, which provides any-frequency synthesis and jitter attenuation in a highly integrated PLL solution that eliminates the need for external VCXO and loop filter components. Each DSPLL loop bandwidth is digitally programmable from 4 to 525 Hz, providing jitter performance optimization at the application level. The device operates from a single 1.8 or 2.5 V supply with on-chip voltage regulators with excellent PSRR. The Si5374 is ideal for providing clock multiplication and jitter attenuation in high port count optical line cards requiring independent timing domains.

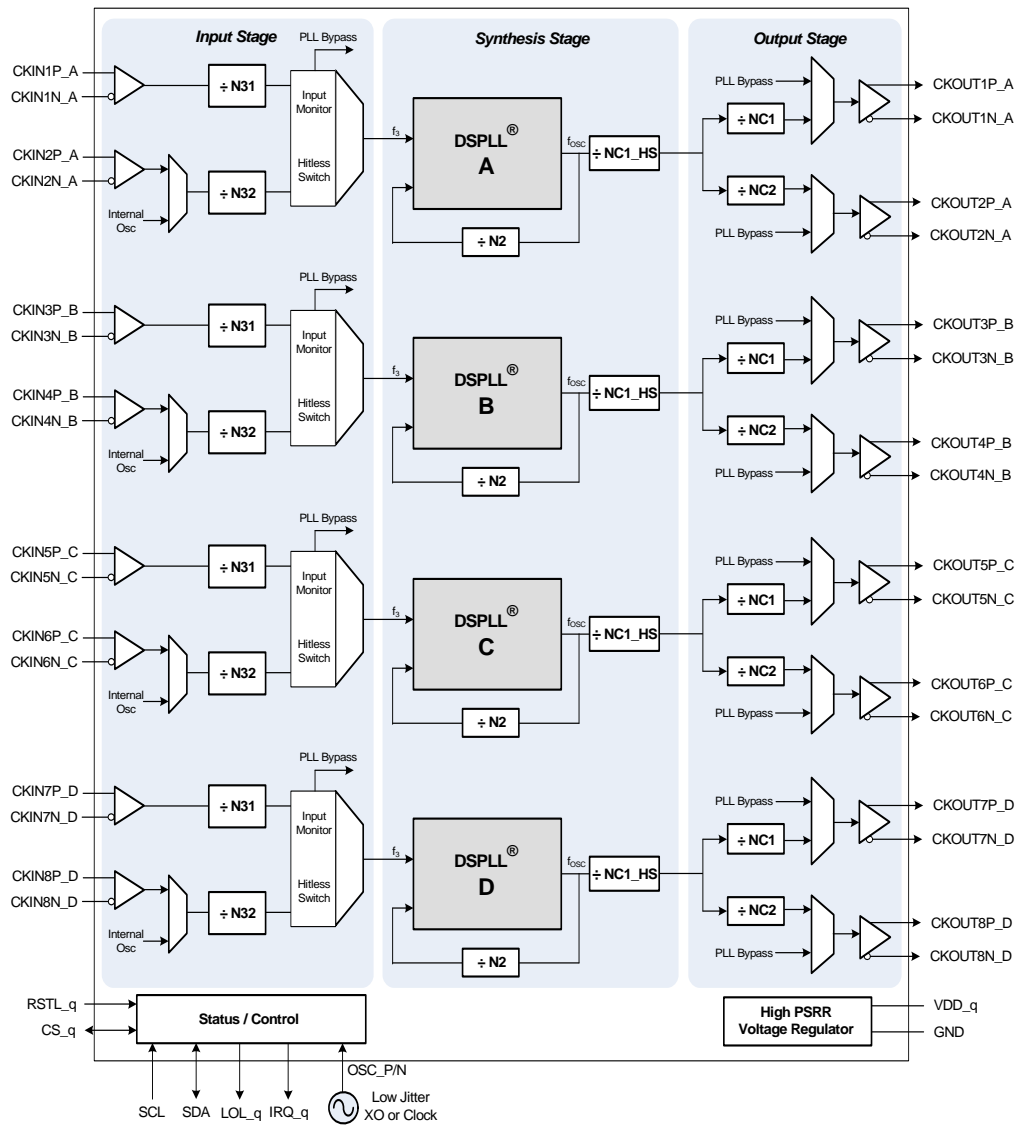


Figure 14. Si5374 Functional Block Diagram

### 3.16. Si5375

The Si5375 is a highly integrated, 4-PLL jitter-attenuating precision clock multiplier for applications requiring sub 1 ps jitter performance. Each of the DSPLL® clock multiplier engines accepts an input clock ranging from 2 kHz to 710 MHz and generates an output clock ranging from 2 kHz to 808 MHz. Each DSPLL provides virtually any frequency translation combination across this operating range. For asynchronous, free-running clock generation applications, the Si5375's reference oscillator can be used as a clock source for any of the four DSPLLs. The Si5375 input clock frequency and clock multiplication ratio are programmable through an I2C interface. The Si5375 is based on Silicon Laboratories' third-generation DSPLL® technology, which provides any-frequency synthesis and jitter attenuation in a highly integrated PLL solution that eliminates the need for external VCXO and loop filter components. Each DSPLL loop bandwidth is digitally programmable from 60 Hz to 8 kHz, providing jitter performance optimization at the application level. The device operates from a single 1.8 or 2.5 V supply with on-chip voltage regulators with excellent PSRR. The Si5375 is ideal for providing clock multiplication and jitter attenuation in high port count optical line cards requiring independent timing domains.

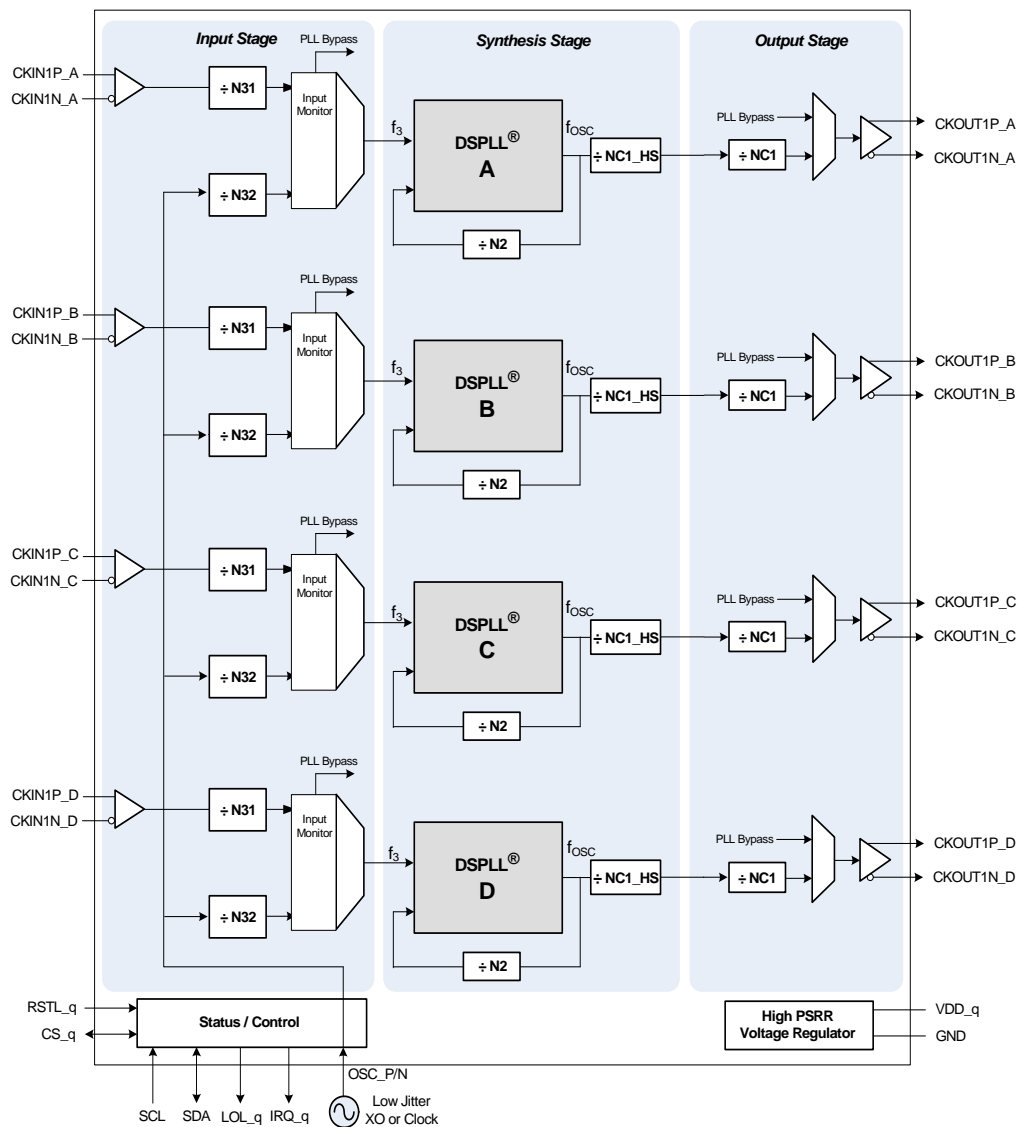


Figure 15. Si5375 Functional Block Diagram

# Si53xx-RM

## 4. Device Specifications

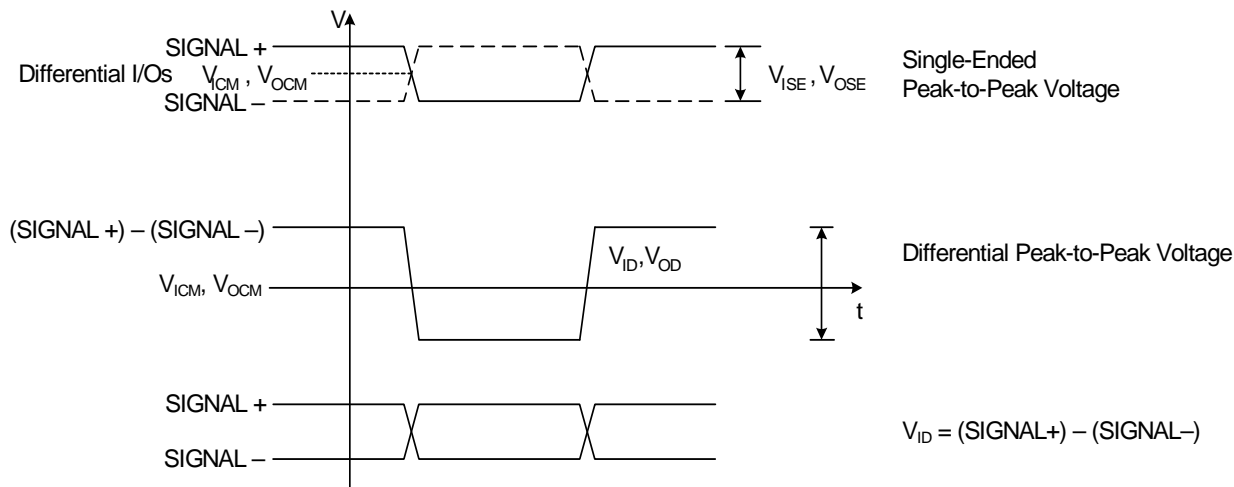
The following tables are intended to simplify device selection. The specifications in the individual device data sheets take precedence over this document. Refer to the respective device data sheet for devices not listed in the tables below.

**Table 3. Recommended Operating Conditions<sup>1</sup>**

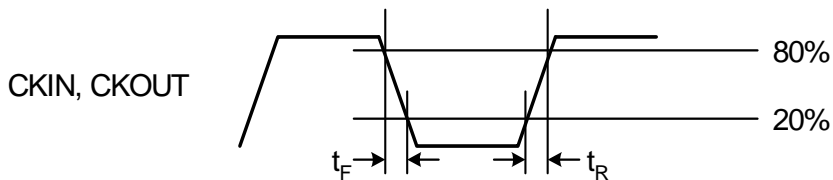
Parameter	Symbol	Test Condition	SI5316	SI5322	SI5324	SI5325	SI5365	SI5366	SI5367	SI5368	Min	Typ	Max	Unit
Ambient Temperature	$T_A$		•	•	•	•	•	•	•	•	-40	25	85	°C
Supply Voltage During Normal Operation	$V_{DD}$	3.3 V Nominal	•	•	•	•	Note 2	Note 2	Note 2	Note 2	2.97	3.3	3.63	V
		2.5 V Nominal	•	•	•	•	•	•	•	•	2.25	2.5	2.75	V
		1.8 V Nominal	•	•	•	•	•	•	•	•	1.71	1.8	1.89	V

**Note:**

- All minimum and maximum specifications are guaranteed and apply across the recommended operating conditions. Typical values apply at nominal supply voltages and an operating temperature of 25 °C unless otherwise stated.
- See Sections 6.7.1 and 8.2.1 for restrictions on output formats for TQFP devices at 3.3 V.



**Figure 16. Differential Voltage Characteristics**



**Figure 17. Rise/Fall Time Characteristics**



Table 4. DC Characteristics

Parameter	Symbol	Test Condition	Si5316	Si5322	Si5324	Si5325	Si5365	Si5366	Si5367	Si5368	Min	Typ	Max	Units
Supply Current (Independent of Supply Voltage)	I <sub>DD</sub>	LVPECL Format 622.08 MHz Out All CKOUT's Enabled	•	•	•	•					—	251	279	mA
							•	•	•	•	—	394	435	mA
	LVPECL Format 622.08 MHz Out Only 1 CKOUT Enabled	•	•	•	•						—	217	243	mA
						•	•	•	•	—	253	284	mA	
	CMOS Format 19.44 MHz Out All CKOUTs Enabled	•	•	•	•						—	204	234	mA
						•	•	•	•	—	278	321	mA	
	CMOS Format 19.44 MHz Out Only 1 CKOUT Enabled	•	•	•	•						—	194	220	mA
						•	•	•	•	—	229	261	mA	
Disable Mode	•	•	•	•	•	•	•	•	•	•	—	165	—	mA
<b>CKIN_n Input Pins</b>														
Input Common Mode Voltage (Input Threshold Voltage)	V <sub>ICM</sub> <sup>1</sup>	1.8 V ± 10%	•	•	•	•	•	•	•	•	0.9	—	1.4	V
		2.5 V ± 10%	•	•	•	•	•	•	•	•	1.0	—	1.7	
		3.3 V ± 10%	•	•	•	•	•	•	•	•	1.1	—	1.95	
Input Resistance	CKN <sub>RIN</sub>	Single-ended	•	•	•	•	•	•	•	•	20	40	60	kΩ
Single-Ended Input Voltage Swing	V <sub>ISE</sub>	f <sub>CKIN</sub> ≤ 212.5 MHz See Figure 16.	•	•	•	•	•	•	•	•	0.2	—	—	V <sub>PP</sub>
		f <sub>CKIN</sub> > 212.5 MHz See Figure 16.	•	•	•	•	•	•	•	•	0.25	—	—	V <sub>PP</sub>
Differential Input Voltage Swing	V <sub>ID</sub>	f <sub>CKIN</sub> ≤ 212.5 MHz See Figure 16.	•	•	•	•	•	•	•	•	0.2	—	—	V <sub>PP</sub>
		f <sub>CKIN</sub> > 212.5 MHz See Figure 16.	•	•	•	•	•	•	•	•	0.25	—	—	V <sub>PP</sub>
<b>Notes:</b>														
1. Refer to Section 6.7.1 and 8.2.1 for restrictions on output formats for TQFP devices at 3.3 V.														
2. This is the amount of leakage that the 3L inputs can tolerate from an external driver. See Figure 55 on page 115.														
3. No under- or overshoot is allowed.														

# Si53xx-RM

**Table 4. DC Characteristics (Continued)**

Parameter	Symbol	Test Condition	Si5316	Si5322	Si5324	Si5325	Si5365	Si5366	Si5367	Si5368	Min	Typ	Max	Units
<b>Output Clocks</b> (CKOUTn—See “8.2. Output Clock Drivers” for Configuring Output Drivers for LVPECL/CML/LVDS/CMOS)														
Common Mode	$V_{OCM}$	LVPECL 100 $\Omega$ load line-to-line	•	•	•	•	•	•	•	•	$V_{DD} - 1.42$	—	$V_{DD} - 1.25$	V
Differential Output Swing	$V_{OD}$	LVPECL 100 $\Omega$ load line-to-line <sup>1</sup>	•	•	•	•	•	•	•	•	1.1	—	1.9	$V_{PP}$
Single Ended Output Swing	$V_{SE}$	LVPECL 100 $\Omega$ load line-to-line <sup>1</sup>	•	•	•	•	•	•	•	•	0.5	—	0.93	$V_{PP}$
Differential Output Voltage	$CKO_{VD}$	CML 100 $\Omega$ load line-to-line	•	•	•	•	•	•	•	•	350	425	500	$mV_{PP}$
Common Mode Output Voltage	$CKO_{VCM}$	CML 100 $\Omega$ load line-to-line	•	•	•	•	•	•	•	•	—	$V_{DD} - .36$	—	V
Differential Output Voltage	$CKO_{VD}$	LVDS 100 $\Omega$ load line-to-line	•	•	•	•	•	•	•	•	500	700	900	$mV_{PP}$
		Low swing LVDS 100 $\Omega$ load line-to-line	•	•	•	•	•	•	•	•	350	425	500	$mV_{PP}$
Common Mode Output Voltage	$CKO_{VCM}$	LVDS 100 $\Omega$ load line-to-line	•	•	•	•	•	•	•	•	1.125	1.2	1.275	V
Differential Output Resistance	$CKO_{RD}$	CML, LVPECL, LVDS, Disabled, Sleep	•	•	•	•	•	•	•	•	170	200	230	$\Omega$
Output Voltage Low	CKO-VOLLH	CMOS	•	•	•	•	•	•	•	•	—	—	0.4	V
Output Voltage High	CKO-VOHLH	$V_{DD} = 1.71$ V CMOS	•	•	•	•	•	•	•	•	$0.8 \times V_{DD}$	—	—	V
<b>Notes:</b>														
1. Refer to Section 6.7.1 and 8.2.1 for restrictions on output formats for TQFP devices at 3.3 V.														
2. This is the amount of leakage that the 3L inputs can tolerate from an external driver. See Figure 55 on page 115.														
3. No under- or overshoot is allowed.														

Table 4. DC Characteristics (Continued)

Parameter	Symbol	Test Condition	SI5316	SI5322	SI5324	SI5325	SI5365	SI5366	SI5367	SI5368	Min	Typ	Max	Units		
Output Drive Current (CMOS driving into CKO <sub>VOL</sub> for output low or CKO <sub>VOH</sub> for output high. CKOUT+ and CKOUT- shorted externally)	CKO <sub>IO</sub>	CMOS Driving into CKO <sub>VOL</sub> for output low or CKO <sub>VOH</sub> for output high. CKOUT+ and CKOUT- shorted externally.														
		V <sub>DD</sub> = 1.8 V														
		ICMOS[1:0] = 11	•	•	•	•	•	•	•	•	•	—	7.5	—	mA	
		ICMOS[1:0] = 10			•	•				•	•	—	5.5	—	mA	
		ICMOS[1:0] = 01			•	•				•	•	—	3.5	—	mA	
		ICMOS[1:0] = 00			•	•				•	•	—	1.75	—	mA	
		V <sub>DD</sub> = 3.3 V										—	32	—	mA	
		ICMOS[1:0] = 11	•	•	•	•	•	•	•	•	•	—	32	—	mA	
		ICMOS[1:0] = 10			•	•				•	•	—	24	—	mA	
		ICMOS[1:0] = 01			•	•				•	•	—	16	—	mA	
ICMOS[1:0] = 00			•	•				•	•	—	8	—	mA			
<b>2-Level LVCMOS Input Pins</b>																
Input Voltage Low	V <sub>IL</sub>	V <sub>DD</sub> = 1.71 V	•	•	•	•	•	•	•	•	—	—	0.5	V		
		V <sub>DD</sub> = 2.25 V	•	•	•	•	•	•	•	•	—	—	0.7	V		
		V <sub>DD</sub> = 2.97 V	•	•	•	•	•	•	•	•	—	—	0.8	V		
Input Voltage High	V <sub>IH</sub>	V <sub>DD</sub> = 1.89 V	•	•	•	•	•	•	•	•	1.4	—	—	V		
		V <sub>DD</sub> = 2.25 V	•	•	•	•	•	•	•	•	1.8	—	—	V		
		V <sub>DD</sub> = 3.63 V	•	•	•	•	•	•	•	•	2.5	—	—	V		
<b>3-Level Input Pins</b>																
Input Voltage Low	V <sub>ILL</sub>		•	•	•	•	•	•	•	•	—	—	0.15 x V <sub>DD</sub>	V		
Input Voltage Mid	V <sub>IMM</sub>		•	•	•	•	•	•	•	•	0.45 x V <sub>DD</sub>	—	0.55 x V <sub>DD</sub>	V		
Input Voltage High	V <sub>IHH</sub>		•	•	•	•	•	•	•	•	0.85 x V <sub>DD</sub>	—	—	V		
Input Low Current	I <sub>ILL</sub>	See note <sup>2</sup>	•	•	•	•	•	•	•	•	—20	—	—	μA		
<b>Notes:</b>																
1. Refer to Section 6.7.1 and 8.2.1 for restrictions on output formats for TQFP devices at 3.3 V.																
2. This is the amount of leakage that the 3L inputs can tolerate from an external driver. See Figure 55 on page 115.																
3. No under- or overshoot is allowed.																

# Si53xx-RM

Table 4. DC Characteristics (Continued)

Parameter	Symbol	Test Condition	Si5316	Si5322	Si5324	Si5325	Si5365	Si5366	Si5367	Si5368	Min	Typ	Max	Units
Input Mid Current	$I_{IMM}$	See note <sup>2</sup>	•	•	•	•	•	•	•	•	-2	—	2	$\mu A$
Input High Current	$I_{IHH}$	See note <sup>2</sup>	•	•	•	•	•	•	•	•	—	—	20	$\mu A$
<b>LVC MOS Output Pins</b>														
Output Voltage Low	$V_{OL}$	$I_O = 2\text{ mA}$ $V_{DD} = 1.62\text{ V}$	•	•	•	•	•	•	•	•	—	—	0.4	V
		$I_O = 2\text{ mA}$ $V_{DD} = 2.97\text{ V}$	•	•	•	•	•	•	•	•	—	—	0.4	V
Output Voltage High	$V_{OH}$	$I_O = -2\text{ mA}$ $V_{DD} = 1.62\text{ V}$	•	•	•	•	•	•	•	•	$V_{DD} - 0.4$	—	—	V
		$I_O = -2\text{ mA}$ $V_{DD} = 2.97\text{ V}$	•	•	•	•	•	•	•	•	$V_{DD} - 0.4$	—	—	V
Tri-State Leakage Current	$I_{OZ}$	$\overline{RST} = 0$	•	•	•	•	•	•	•	•	-100	—	100	$\mu A$
<b>Notes:</b> 1. Refer to Section 6.7.1 and 8.2.1 for restrictions on output formats for TQFP devices at 3.3 V. 2. This is the amount of leakage that the 3L inputs can tolerate from an external driver. See Figure 55 on page 115. 3. No under- or overshoot is allowed.														

Table 5. DC Characteristics—Microprocessor Devices (Si5324, Si5325, Si5367, Si5368)

Parameter	Symbol	Test Condition	Min	Typ	Max	Units
<b>I<sup>2</sup>C Bus Lines (SDA, SCL)</b>						
Input Voltage Low	V <sub>ILI2C</sub>		—	—	0.25 x V <sub>DD</sub>	V
Input Voltage High	V <sub>IHI2C</sub>		0.7 x V <sub>DD</sub>	—	V <sub>DD</sub>	V
Input Current	I <sub>I2C</sub>	V <sub>IN</sub> = 0.1 x V <sub>DD</sub> to 0.9 x V <sub>DD</sub>	-10	—	10	μA
Hysteresis of Schmitt trigger inputs	V <sub>HYSI2C</sub>	V <sub>DD</sub> = 1.8 V	0.1 x V <sub>DD</sub>	—	—	V
		V <sub>DD</sub> = 2.5 or 3.3 V	0.05 x V <sub>DD</sub>	—	—	V
Output Voltage Low	V <sub>OHI2C</sub>	V <sub>DD</sub> = 1.8 V IO = 3 mA	—	—	0.2 x V <sub>DD</sub>	V
		V <sub>DD</sub> = 2.5 or 3.3 V IO = 3 mA	—	—	0.4	V

Table 6. SPI Specifications (Si5324, Si5325, Si5367, and Si5368)

Parameter	Symbol	Test Conditions	Min	Typ	Max	Unit
Duty Cycle, SCLK	t <sub>DC</sub>	SCLK = 10 MHz	40	—	60	%
Cycle Time, SCLK	t <sub>c</sub>		100	—	—	ns
Rise Time, SCLK	t <sub>r</sub>	20–80%	—	—	25	ns
Fall Time, SCLK	t <sub>f</sub>	20–80%	—	—	25	ns
Low Time, SCLK	t <sub>lsc</sub>	20–20%	30	—	—	ns
High Time, SCLK	t <sub>hsc</sub>	80–80%	30	—	—	ns
Delay Time, SCLK Fall to SDO Active	t <sub>d1</sub>		—	—	25	ns
Delay Time, SCLK Fall to SDO Transition	t <sub>d2</sub>		—	—	25	ns
Delay Time, SS Rise to SDO Tri-state	t <sub>d3</sub>		—	—	25	ns
Setup Time, SS to SCLK Fall	t <sub>su1</sub>		25	—	—	ns
Hold Time, SS to SCLK Rise	t <sub>h1</sub>		20	—	—	ns
Setup Time, SDI to SCLK Rise	t <sub>su2</sub>		25	—	—	ns
Hold Time, SDI to SCLK Rise	t <sub>h2</sub>		20	—	—	ns
Delay Time between Slave Selects	t <sub>cs</sub>		25	—	—	ns

**Note:** All timing is referenced to the 50% level of the waveform unless otherwise noted. Input test levels are V<sub>IH</sub> = V<sub>DD</sub> - 4 V, V<sub>IL</sub> = 0.4 V.

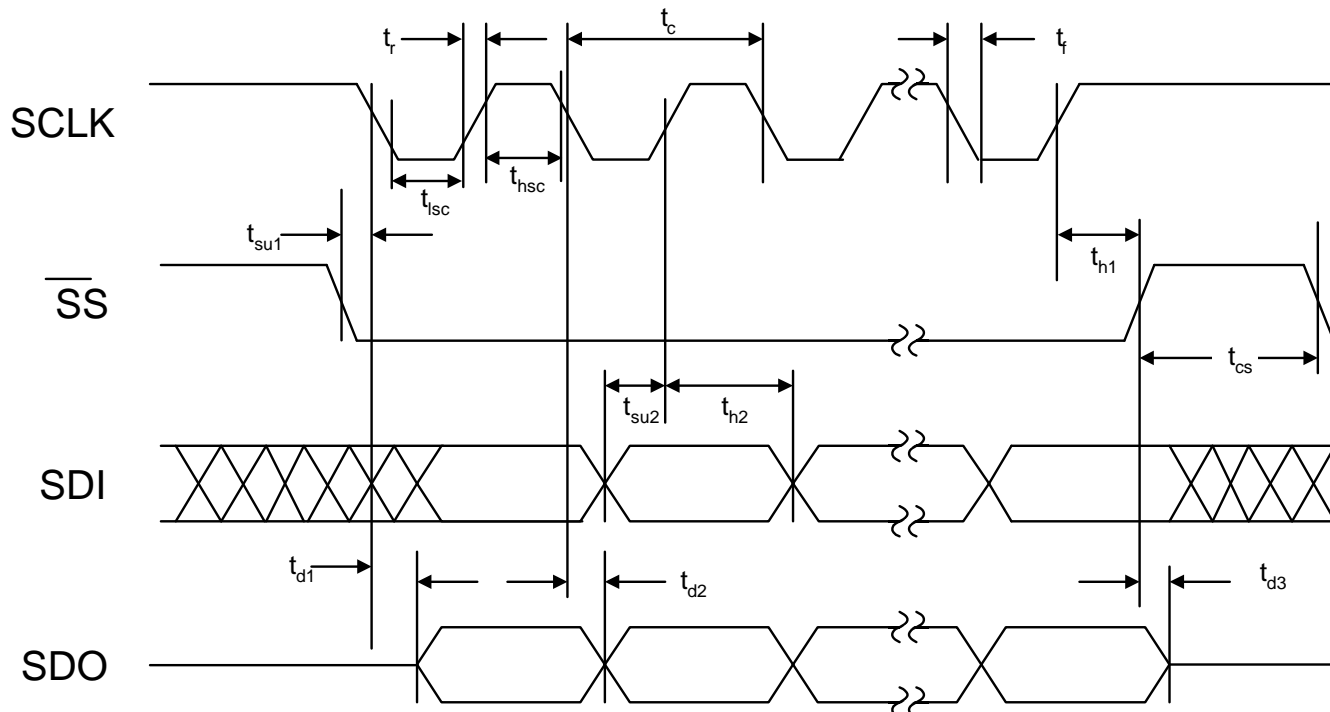
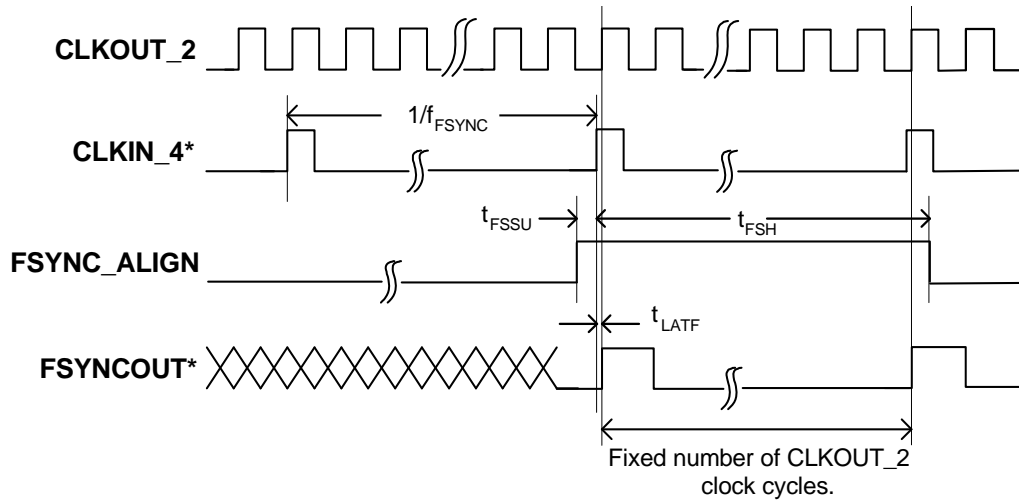


Figure 18. SPI Timing Diagram

Table 7. DC Characteristics—Narrowband Devices (Si5316, Si5319, Si5323, Si5366, Si5368)

Parameter	Symbol	Test Condition	Min	Typ	Max	Unit
<b>Single-Ended Reference Clock Input Pin XA (XB with cap to gnd)</b>						
Input Resistance	$XA_{RIN}$	(RATE[1:0] = LM, ML, MH, or HM)	—	10	—	$k\Omega$
Input Voltage Level Limits	$XA_{VIN}$		0	—	1.2	V
Input Voltage Swing	$XA_{VPP}$		0.5	—	1.2	$V_{PP}$
<b>Differential Reference Clock Input Pins (XA/XB)</b>						
Differential Input Voltage Level Limits	$XA/XB_{VIN}$	(RATE[1:0] = LM, ML, MH, or HM)	0	—	1.2	V
Input Voltage Swing	$XA_{VPP}/XB_{VPP}$		0.5	—	2.4	$V_{PP}$



\* CLKIN\_2 and CLKIN\_4 are the active input clock and frame sync pair in this example

**Figure 19. Frame Synchronization Timing**

# Si53xx-RM

**Table 8. AC Characteristics—All Devices**

Parameter	Symbol	Test Condition	Si5316	Si5322	Si5324	Si5325	Si5365	Si5366	Si5367	Si5368	Min	Typ	Max	Units	
Input Frequency	CKN <sub>F</sub>		•								19.38	—	710	MHz	
				•			•				19.43	—	707.35	MHz	
					•			•		•		0.002	—	707.35	MHz
						•				•		10	—	710	MHz
		When used as frame synchronization input							•		—	0.008	—	MHz	
									•	2	—	512	kHz		
<b>CKIN_n Input Pins</b>															
Input Duty Cycle (Minimum Pulse Width)	CKN <sub>DC</sub>	Whichever is smaller (i.e., the 40% / 60 % limitation applies only to high frequency clocks)	•	•	•	•	•	•	•	•	40	—	60	%	
			•	•	•	•	•	•	•	•	•	2	—	—	ns
Input Capacitance	CKN <sub>CIN</sub>		•	•	•	•	•	•	•	•	—	—	3	pF	
Input Rise/Fall Time	CKN <sub>TRF</sub>	20–80% See Figure 17	•	•	•	•	•	•	•	•	—	—	11	ns	
<b>CKOUT_n Output Pins (See individual data sheets for speed grade limits)</b>															
Output Frequency (Output not configured for CMOS or tri-state)	CKO <sub>F</sub>		•								19.38	—	710	MHz	
				•			•				19.43	—	1049	MHz	
									•			0.008	—	1049	MHz
						•				•		10	—	945	MHz
						•					•	0.002	—	945	MHz
						•	•				•	970	—	1134	MHz
						•	•				•	1.213	—	1.4	GHz
Maximum Output Frequency in CMOS Format	CKO <sub>FMC</sub>		•	•	•	•	•	•	•	•	—	—	212.5	MHz	
Output Rise/Fall (20–80%) at 622.08 MHz	CKO <sub>TRF</sub>	Output not configured for CMOS See Figure 17	•	•	•	•	•	•	•	•	—	230	350	ps	
Output Rise/Fall (20–80%) at 212.5 MHz	CKO <sub>TRF</sub>	CMOS Output V <sub>DD</sub> = 1.62 Cl <sub>oad</sub> = 5 pF	•	•	•	•	•	•	•	•	—	—	8	ns	
		CMOS Output V <sub>DD</sub> = 2.97 Cl <sub>oad</sub> = 5 pF	•	•	•	•						—	—	2	ns
Output Duty Cycle Differential Uncertainty	CKO <sub>DC</sub>	100 Ω Load Line to Line Measured at 50% Point (not for CMOS)	•	•	•	•	•	•	•	•	—	—	±40	ps	



Table 8. AC Characteristics—All Devices (Continued)

Parameter	Symbol	Test Condition	Si5316	Si5322	Si5324	Si5325	Si5365	Si5366	Si5367	Si5368	Min	Typ	Max	Units
<b>LVC MOS Pins</b>														
Input Capacitance	$C_{in}$		•	•	•	•	•	•	•	•	—	—	3	pF
Minimum Reset Pulse Width	$t_{RSTMN}$		•	•	•	•	•	•	•	•	1	—	—	$\mu$ s
Reset to Microprocessor Access Ready	$t_{READY}$				•	•			•	•	—	—	10	ms
<b>LVC MOS Output Pins</b>														
LOS <sub>n</sub> Trigger Window	$LOS_{TRIG}$	From last CKIN <sub>n</sub> $\uparrow$ to internal detection of LOS <sub>n</sub>		•		•	•		•		100 x N3	—	570 x N3	$T_{CKIN}$
		From last CKIN <sub>n</sub> $\uparrow$ to internal detection of LOS <sub>n</sub> N3 $\neq$ 1			•				•	•	0.8 x N3	—	4.5 x N3	$T_{CKIN}$
		From last CKIN <sub>n</sub> $\uparrow$ to internal detection of LOS <sub>n</sub> N3 = 1			•				•	•	250 ns	—	4.5	$T_{CKIN}$
Time to Clear LOL after LOS Cleared	$t_{CLRLOL}$	$\downarrow$ LOS to $\downarrow$ LOL Assume Fold = Fnew, Stable XA/XB reference	•		•				•	•	—	10	—	ms

# Si53xx-RM

**Table 8. AC Characteristics—All Devices (Continued)**

Parameter	Symbol	Test Condition	Si5316	Si5322	Si5324	Si5325	Si5365	Si5366	Si5367	Si5368	Min	Typ	Max	Units	
<b>Device Skew</b>															
Output Clock Skew, see Section 7.7.4	$t_{SKEW}$	↑ of CKOUT_n to ↑ of CKOUT_m, CKOUT_n and CKOUT_m at same frequency and signal format PHASE OFFSET = 0 SQICAL = 1 CKOUT_ALWAYS_ON = 1		•	•	•	•	•	•	•	—	—	100	ps	
Coarse Skew Adjust Resolution	$t_{PHRES}$	Using CLAT[7:0] register								•	—	1/F <sub>VCO</sub>	—	ps	
		using INC/DEC pins						•			—	1/F <sub>VCO</sub>	—	ps	
Coarse Skew Adjust Range	$t_{PHSRNG}$	Using CLAT[7:0] register								•	−∞	—	+∞		
		using INC/DEC pins						•			−∞	—	+∞	s	
Fine Skew Adjust Resolution	$t_{FPHSRES}$	using FLAT[14:0] register			•					•	—	9	—	ps	
Fine Skew Adjust Range	$t_{FPHSRNG}$	using FLAT[14:0] register			•					•	−110	—	110	ps	
Phase Offset Resolution	$t_{OFSTRES}$	using PHASEOFFSETn[7:0] registers			•					•	—	N1_HS/f <sub>VCO</sub>	—		
Phase Offset Range	$t_{OFSTRNG}$	using PHASEOFFSETn[7:0] registers			•					•	−128 x $t_{OFSTRES}$	—	127 x $t_{OFSTRES}$		
<b>PLL Performance</b>															
Lock Time	$t_{LOCKHW}$	↑ $\overline{RST}$ with valid CKIN to ↓ LOL; BW = 100 Hz	•							•	—	—	1.2	sec	
Pin Reset or Register Reset to Microprocessor Access Ready	$t_{READY}$				•	•				•	•	—	—	10	ms
Reset to first ↑ on CKOUT	$t_{START}$	Valid, stable clock on CKIN	•	•			•	•			—	—	1.2	sec	
Minimum Reset Pulse Width	$t_{RSTMIN}$		•	•	•	•	•	•	•	•	1	—	—	μs	
Lock Time	$t_{LOCKMP}$	Start of ICAL to ↓ of LOL, lowest BW setting								•	—	35	1000	ms	
Closed Loop Jitter Peaking	J <sub>PK</sub>		•	•	•	•	•	•	•	•	—	0.05	0.1	dB	

Table 8. AC Characteristics—All Devices (Continued)

Parameter	Symbol	Test Condition	Si5316	Si5322	Si5324	Si5325	Si5365	Si5366	Si5367	Si5368	Min	Typ	Max	Units
Output Phase Change due to Temperature Variation	$t_{TEMP}$	Max phase changes from $-40$ to $+85$ °C	•	•	•	•	•	•	•	•	—	300	500	ps
Jitter Tolerance	$J_{TOL}$		•	•	•	•	•	•	•	•	See "5.2.3. Jitter Tolerance" on page 49.			
Phase Noise $f_{out} = 622.08$ MHz	$CKO_{PN}$	1 kHz Offset	•					•		•	—	-106	-87	dBc/Hz
		10 kHz Offset	•					•		•	—	-121	-100	dBc/Hz
		100 kHz Offset	•					•		•	—	-132	-110	dBc/Hz
		1 MHz Offset	•					•		•	—	-132	-125	dBc/Hz
Subharmonic Noise	$SP_{SUBH}$	Phase Noise @ 100 kHz Offset	•					•		•	—	-88	-76	dBc
Spurious Noise	$SP_{SPUR}$		•					•		•	—	-93	-70	dBc

# Si53xx-RM

**Table 9. Jitter Generation (Si5316, Si5324, Si5366, Si5368)**

Parameter	Symbol	Test Condition <sup>1,2,3,4,5</sup>		Min	Typ	Max	GR-253 Spec	Unit
		Measurement Filter (MHz)	DSPLL Bandwidth <sup>2</sup>					
Jitter Gen OC-192	J <sub>GEN</sub>	0.02–80	120 Hz	—	4.2	6.2	30 ps pp/0.3 U <sub>Ipp</sub>	ps <sub>pp</sub>
				—	.27	.42	N/A	ps <sub>rms</sub>
		4–80	120 Hz	—	3.7	6.4	10 ps pp/0.1 U <sub>Ipp</sub>	ps <sub>pp</sub>
				—	.14	.31	N/A	ps <sub>rms</sub>
		0.05–80	120 Hz	—	4.4	6.9	10 ps pp/0.1 U <sub>Ipp</sub>	ps <sub>pp</sub>
				—	.26	.41	1.0 ps <sub>rms</sub> (0.01 U <sub>I<sub>rms</sub></sub> )	ps <sub>rms</sub>
Jitter Gen OC-48	J <sub>GEN</sub>	0.012–20	120 Hz	—	3.5	5.4	40.2 ps pp/ (0.1 U <sub>Ipp</sub> )	ps <sub>pp</sub>
				—	.27	.41	4.02 ps <sub>rms</sub> (0.01 U <sub>I<sub>rms</sub></sub> )	ps <sub>rms</sub>

**Notes:**

1. Test condition:  $f_{IN} = f_{OUT} = 622.08$  MHz, LVPECL clock input: 1.19 Vppd with 0.5 ns rise/fall time (20–80%), LVPECL clock output.
2. BWSEL [1:0] loop bandwidth settings provided in Pin Descriptions.
3. 114.285 MHz 3rd OT crystal used as XA/XB input.
4.  $V_{DD} = 2.5$  V
5.  $T_A = 85$  °C

**Table 10. Jitter Generation (Si5322, Si5325, Si5365, Si5367)**

Parameter	Symbol	Test Condition <sup>1,2</sup>		Min	Typ	Max	Unit
		Measurement Filter (MHz)	DSPLL Bandwidth <sup>2</sup> (kHz)				
Jitter Gen OC-192	J <sub>GEN</sub>	0.02–80	1096	—	.49	—	ps <sub>rms</sub>
		4–80	1096	—	.23	—	ps <sub>rms</sub>
		0.05–80	1096	—	.47	—	ps <sub>rms</sub>
Jitter Gen OC-48	J <sub>GEN</sub>	0.012–20	1096	—	.48	—	ps <sub>rms</sub>

**Notes:**

1. Test condition:  $f_{IN} = f_{OUT} = 622.08$  MHz, LVPECL clock input: 1.19 Vppd with 0.5 ns rise/fall time (20–80%), LVPECL clock output.
2. BWSEL [1:0] loop bandwidth settings provided in Pin Descriptions.

**Table 11. Thermal Characteristics**

Parameter	Symbol	Test Condition	Devices	Value	Unit
Thermal Resistance Junction to Ambient	$\theta_{JA}$	Still Air	Si5316, Si5319, Si5322, Si5323, Si5324, Si5325	32	°C/W
			Si5365, Si5366, Si5367, Si5368	40	°C/W
Thermal Resistance Junction to Case	$\theta_{JC}$	Still Air	Si5316, Si5319, Si5322, Si5323, Si5324, Si5325	14	°C/W

## 5. DSPLL (All Devices)

All members of the Any-Frequency Precision Clocks family incorporate a phase-locked loop (PLL) that utilizes Silicon Laboratories' third generation DSPLL technology to eliminate jitter, noise, and the need for external VCXO and loop filter components found in discrete PLL implementations. This is achieved by using a digital signal processing (DSP) algorithm to replace the loop filter commonly found in discrete PLL designs. Because external PLL components are not required, sensitivity to board-level noise sources is minimized. This digital technology provides highly stable and consistent operation over process, temperature, and voltage variations.

A simplified block diagram of the DSPLL is shown in Figure 20. This algorithm processes the phase detector error term and generates a digital frequency control word  $M$  to adjust the frequency of the digitally-controlled oscillator (DCO). The narrowband configuration devices (Si5316, Si5319, Si5323, Si5324, Si5326, Si5327, Si5366, Si5368, and Si5369) provide ultra-low jitter generation by using an external jitter reference clock and jitter attenuation. For applications where basic frequency multiplication of low jitter clocks is all that is required, the wideband parts (Si5322, Si5325, Si5365, and Si5367) are available.

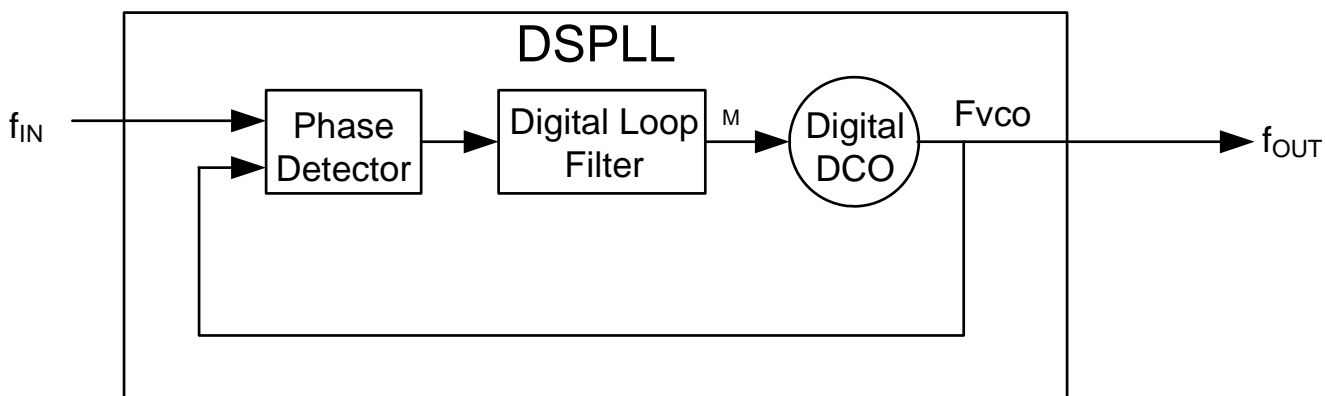
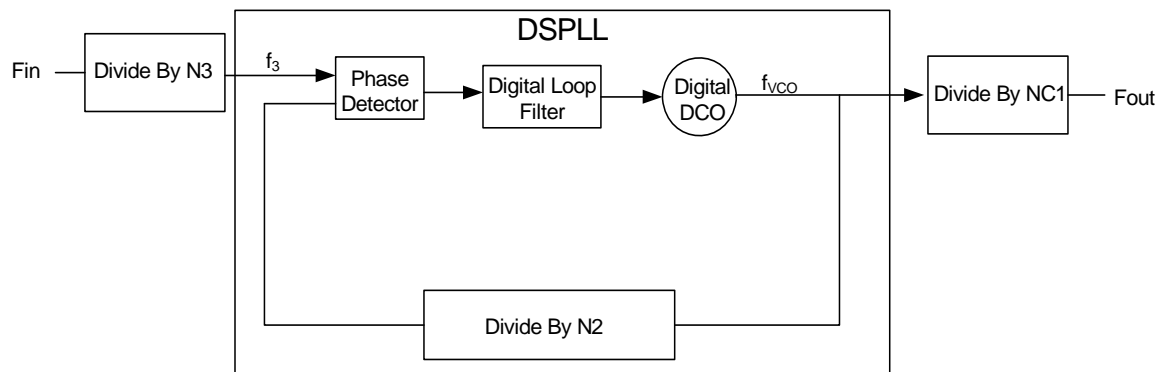


Figure 20. Any-Frequency Precision Clock DSPLL Block Diagram

## 5.1. Clock Multiplication

Fundamental to these parts is a clock multiplication circuit that is simplified in Figure 21. By having a large range of dividers and multipliers, nearly any output frequency can be created from a fixed input frequency. For typical telecommunications and data communications applications, the hardware control parts (Si5316, Si5322, Si5323, Si5365, and Si5366) provide simple pin control.

The microprocessor controlled parts (Si5319, Si5324, Si5325, Si5326, Si5327, Si5367, Si5368, and Si5369) provide a programmable range of clock multiplications. To assist users in finding valid divider settings for a particular input frequency and clock multiplication ratio, Silicon Laboratories offers PC-based software (DSPLLsim) that calculates these settings automatically. When multiple divider combinations produce the same output frequency, the software recommends the divider settings yielding the recommended settings for phase noise performance and power consumption.



$$f_{OUT} = (f_{in}/N3) \times N2/NC1$$

$$f_{VCO} = (f_{in}/N3) \times N2$$

**Figure 21. Clock Multiplication Circuit**

## 5.2. PLL Performance

All members of the Any-Frequency Precision Clock family of devices provide extremely low jitter generation, a well-controlled jitter transfer function, and high jitter tolerance. For more information the loop bandwidth and its effect on jitter attenuation, see "Appendix H—Jitter Attenuation and Loop BW" on page 164.

### 5.2.1. Jitter Generation

Jitter generation is defined as the amount of jitter produced at the output of the device with a jitter free input clock. Generated jitter arises from sources within the VCO and other PLL components. Jitter generation is a function of the PLL bandwidth setting. Higher loop bandwidth settings may result in lower jitter generation, but may result in less attenuation of jitter that might be present on the input clock signal.

### 5.2.2. Jitter Transfer

Jitter transfer is defined as the ratio of output signal jitter to input signal jitter for a specified jitter frequency. The jitter transfer characteristic determines the amount of input clock jitter that passes to the outputs. The DSPLL technology used in the Any-Frequency Precision Clock devices provides tightly controlled jitter transfer curves because the PLL gain parameters are determined largely by digital circuits which do not vary over supply voltage, process, and temperature. In a system application, a well-controlled transfer curve minimizes the output clock jitter variation from board to board and provides more consistent system level jitter performance.

The jitter transfer characteristic is a function of the loop bandwidth setting. Lower bandwidth settings result in more jitter attenuation of the incoming clock, but may result in higher jitter generation. Section 1 Any-Frequency Precision Clock Product Family Overview also includes specifications related to jitter bandwidth and peaking. Figure 22 shows the jitter transfer curve mask.

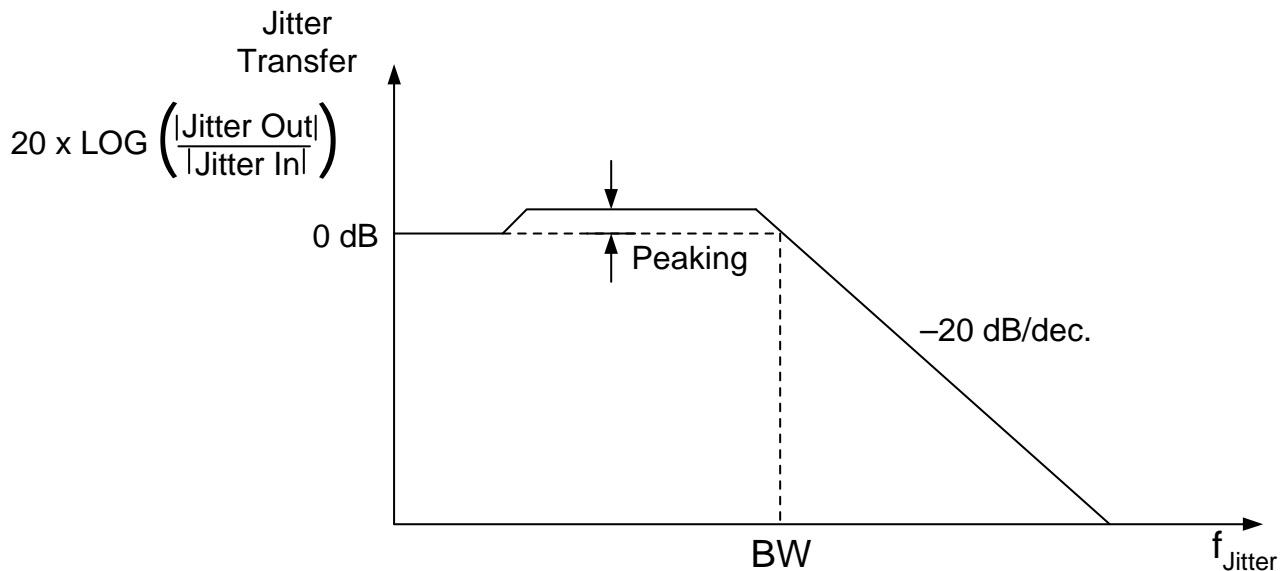


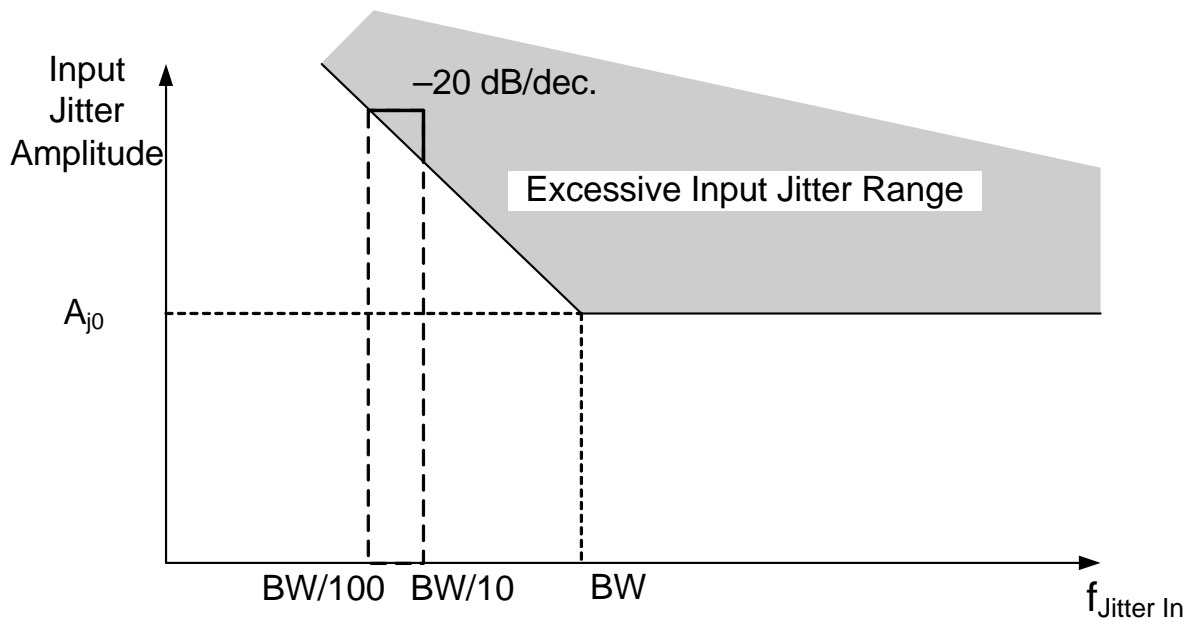
Figure 22. PLL Jitter Transfer Mask/Template



### 5.2.3. Jitter Tolerance

Jitter tolerance is defined as the maximum peak-to-peak sinusoidal jitter that can be present on the incoming clock before the DSPLL loses lock. The tolerance is a function of the jitter frequency, because tolerance improves for lower input jitter frequency.

The jitter tolerance of the DSPLL is a function of the loop bandwidth setting. Figure 23 shows the general shape of the jitter tolerance curve versus input jitter frequency. For jitter frequencies above the loop bandwidth, the tolerance is a constant value  $A_{j0}$ . Beginning at the PLL bandwidth, the tolerance increases at a rate of 20 dB/decade for lower input jitter frequencies.



**Figure 23. Jitter Tolerance Mask/Template**

The equation for the high frequency jitter tolerance can be expressed as a function of the PLL loop bandwidth (i.e., bandwidth):

$$A_{j0} = \frac{5000}{BW} \text{ ns pk-pk}$$

For example, the jitter tolerance when  $f_{in} = 155.52 \text{ MHz}$ ,  $f_{out} = 622.08 \text{ MHz}$  and the loop bandwidth (BW) is 100 Hz:

$$A_{j0} = \frac{5000}{100} = 50 \text{ ns pk-pk}$$

## 6. Pin Control Parts (Si5316, Si5322, Si5323, Si5365, Si5366)

These parts provide high-performance clock multiplication with simple pin control. Many of the control inputs are three levels: High, Low, and Medium. High and Low are standard voltage levels determined by the supply voltage:  $V_{DD}$  and Ground. If the input pin is left floating, it is driven to nominally half of  $V_{DD}$ . Effectively, this creates three logic levels for these controls.

These parts span a range of applications and I/O capacity as shown in Table 12.

**Table 12. Si5316, Si5322, Si5323, Si5365 and Si5366 Key Features**

	Si5316	Si5322	Si5323	Si5365	Si5366
SONET Frequencies	•	•	•	•	•
DATAKOM Frequencies	•	•	•	•	•
DATAKOM/SONET internetworking		•	•	•	•
Fixed Ratio between input clocks	•				
Flexible Frequency Plan		•	•	•	•
Number of Inputs	2	2	2	4	4
Number of Outputs	1	2	2	5	5
Jitter Attenuation	•		•		•

### 6.1. Clock Multiplication (Si5316, Si5322, Si5323, Si5365, Si5366)

By setting the tri-level FRQSEL[3:0] pins these devices provide a wide range of standard SONET and data communications frequency scaling, including simple integer frequency multiplication to fractional settings required for coding and decoding.

#### 6.1.1. Clock Multiplication (Si5316)

The device accepts dual input clocks in the 19, 39, 78, 155, 311, or 622 MHz frequency range and generates a de-jittered output clock at the same frequency. The frequency range is set by the FRQSEL [1:0] pins, as shown in Table 13.

**Table 13. Frequency Settings**

FRQSEL[1:0]	Output Frequency (MHz)
LL	19.38–22.28
LM	38.75–44.56
LH	77.50–89.13
ML	155.00–178.25
MM	310.00–356.50
MH	620.00–710.00

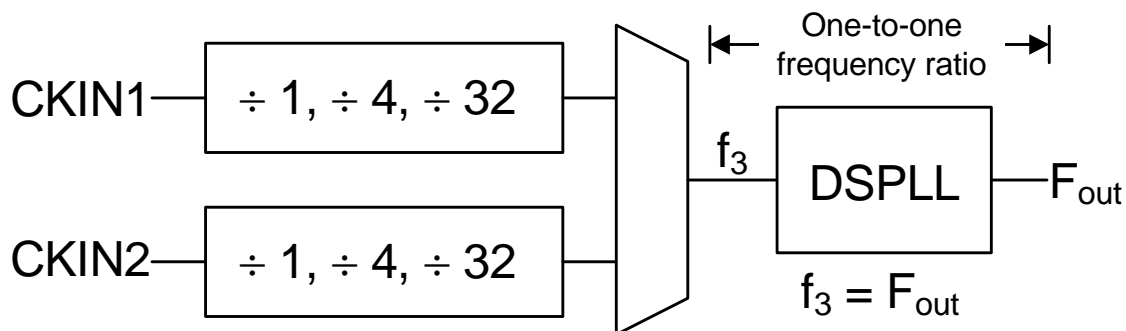
The Si5316 can accept a CKIN1 input at a different frequency than the CKIN2 input. The frequency of one input clock can be 1x, 4x, or 32x the frequency of the other input clock. The output frequency is always equal to the lower of the two clock inputs and is set via the FRQSEL [1:0] pins. The frequency applied at each clock input is divided down by a pre-divider as shown in the Figure 1 on page 17. These pre-dividers must be set such that the two resulting clock frequencies,  $f_{3\_1}$  and  $f_{3\_2}$  must be equal and are set by the FRQSEL [1:0] pins. Input divider settings are controlled by the CK1DIV and CK2DIV pins, as shown in Table 14.

**Table 14. Input Divider Settings**

CKnDIV	N3n Input Divider
L	1
M	4
H	32

**Table 15. Si5316 Bandwidth Values**

FRQSEL[1:0] Nominal Frequency Values (MHz)						
	LL	LM	LH	ML	MM	MH
BW[1:0]	19.44 MHz	38.88 MHz	77.76 MHz	155.52 MHz	311.04 MHz	622.08 MHz
HM	100 Hz	100 Hz	100 Hz	100 Hz	100 Hz	100 Hz
HL	210 Hz	210 Hz	200 Hz	200 Hz	200 Hz	200 Hz
MH	410 Hz	410 Hz	400 Hz	400 Hz	400 Hz	400 Hz
MM	1.7 kHz	1.7 kHz	1.6 kHz	1.6 kHz	1.6 kHz	1.6 kHz
ML	7.0 kHz	7.0 kHz	6.8 kHz	6.7 kHz	6.7 kHz	6.7 kHz



**Figure 24. Si5316 Divisor Ratios**

# Si53xx-RM

## 6.1.2. Clock Multiplication (Si5322, Si5323, Si5365, Si5366)

These parts provide flexible frequency plans for SONET, DATACOM, and interworking between the two (Table 16, Table 17, and Table 18 respectively). The CKINn inputs must be the same frequency as specified in the tables. The outputs are the same frequency; however, in the Si5365 and Si5366, CKOUT3 and CKOUT4 can be further divided down by using the DIV34 [1:0] pins.

The following notes apply to Tables 16, 17, and 18:

1. All entries are available for the Si5323 and Si5366. Only those marked entries under the WB column are available for the Si5322 and Si5365.
2. The listed output frequencies appear on CKOUTn. For the Si5365 and Si5366, sub-multiples are available on CKOUT3 and CKOUT4 using the DIV34[1:0] control pins.
3. All ratios are exact, but the frequency values are rounded.
4. For bandwidth settings, f3 values, and frequency operating ranges, consult DSPLLsim.
5. For the Si5366 with CK\_CONF = 1, CKIN3 and CKIN4 are the same frequency as FS\_OUT.

**Table 16. SONET Clock Multiplication Settings (FRQTBL=L)**

No	FRQSEL [3:0]	WB	f <sub>IN</sub> MHz	Mult Factor	Nominal f <sub>OUT</sub> MHz	All Devices	Si5366 Only
						f <sub>CKOUT5</sub> (MHz) (CK_CONF = 0)	FS_OUT (MHz) (CK_CONF = 1)
0	LLLL		0.008	1	0.008	0.008	0.008
1	LLLM			2430	19.44	19.44	0.008
2	LLLH			4860	38.88	38.88	0.008
3	LLML			9720	77.76	77.76	0.008
4	LLMM			19440	155.52	155.52	0.008
5	LLMH			38880	311.04	311.04	0.008
6	LLHL			77760	622.08	622.08	0.008

Table 16. SONET Clock Multiplication Settings (FRQTBL=L) (Continued)

No	FRQSEL [3:0]	WB	f <sub>IN</sub> MHz	Mult Factor	Nominal f <sub>OUT</sub> MHz	All Devices	Si5366 Only	
						f <sub>CKOUT5</sub> (MHz) (CK_CONF = 0)	FS_OUT (MHz) (CK_CONF = 1)	
7	LLHM	•	19.44	1	19.44	19.44	0.008	
8	LLHH	•		2	38.88	38.88	0.008	
9	LMLL	•		4	77.76	77.76	0.008	
10	LMLM	•		8	155.52	155.52	0.008	
11	LMLH			8 x (255/238)	166.63	166.63	NA	
12	LMML			8 x (255/237)	167.33	167.33	NA	
13	LMMM			8 x (255/236)	168.04	168.04	NA	
14	LMMH	•		16	311.04	311.04	0.008	
15	LMHL	•		32	622.08	622.08	0.008	
16	LMHM			32 x (255/238)	666.51	666.51	NA	
17	LMHH			32 x (255/237)	669.33	669.33	NA	
18	LHLL			32 x (255/236)	672.16	672.16	NA	
19	LHLM	•		48	933.12	933.12	0.008	
20	LHLH	•		54	1049.76	1049.76	0.008	
21	LHML	•		38.88	1	38.88	38.88	0.008
22	LHMM	•			2	77.76	77.76	0.008
23	LHMH	•			4	155.52	155.52	0.008
24	LHHL	•			16	622.08	622.08	0.008
25	LHHM		16 x (255/238)		666.51	666.51	NA	
26	LHHH		16 x (255/237)		669.33	669.33	NA	
27	MLLL		16 x (255/236)		672.16	672.16	NA	

# Si53xx-RM

Table 16. SONET Clock Multiplication Settings (FRQTBL=L) (Continued)

No	FRQSEL [3:0]	WB	f <sub>IN</sub> MHz	Mult Factor	Nominal f <sub>OUT</sub> MHz	All Devices	Si5366 Only	
						f <sub>CKOUT5</sub> (MHz) (CK_CONF = 0)	FS_OUT (MHz) (CK_CONF = 1)	
28	MLLM	•	77.76	1/4	19.44	19.44	0.008	
29	MLLH	•		1/2	38.88	38.88	0.008	
30	MLML	•		1	77.76	77.76	0.008	
31	MLMM	•		2	155.52	155.52	0.008	
32	MLMH	•		2 x (255/238)	166.63	166.63	NA	
33	MLHL			2 x (255/237)	167.33	167.33	NA	
34	MLHM			2 x (255/236)	168.04	168.04	NA	
35	MLHH	•		4	311.04	311.04	0.008	
36	MMLL	•		8	622.08	622.08	0.008	
37	MMLM	•		8 x (255/238)	666.51	666.51	NA	
38	MMLH			8 x (255/237)	669.33	669.33	NA	
39	MMML			8 x (255/236)	672.16	672.16	NA	
40	MMMM	•		155.52	1/8	19.44	19.44	0.008
41	MMMh	•			1/4	38.88	38.88	0.008
42	MMHL	•	1/2		77.76	77.76	0.008	
43	MMHM	•	1		155.52	155.52	0.008	
44	MMHH	•	255/238		166.63	166.63	NA	
45	MHLL		255/237		167.33	167.33	NA	
46	MHLM		255/236		168.04	168.04	NA	
47	MHLH	•	2		311.04	311.04	0.008	
48	MHML	•	4		622.08	622.08	0.008	
49	MHMM	•	4 x (255/238)		666.51	666.51	NA	
50	MHMh		4 x (255/237)		669.33	669.33	NA	
51	MHHL		4 x (255/236)		672.16	672.16	NA	
52	MHHM	•	166.63		238/255	155.52	155.52	NA
53	MMHM	•			1	166.63	166.63	NA
54	MHHH	•		4 x (238/255)	622.08	622.08	NA	
55	MHML	•		4	666.51	666.51	NA	

Table 16. SONET Clock Multiplication Settings (FRQTBL=L) (Continued)

No	FRQSEL [3:0]	WB	f <sub>IN</sub> MHz	Mult Factor	Nominal f <sub>OUT</sub> MHz	All Devices	Si5366 Only
						f <sub>CKOUT5</sub> (MHz) (CK_CONF = 0)	FS_OUT (MHz) (CK_CONF = 1)
56	HLLL		167.33	237/255	155.52	155.52	NA
57	MMHM	•		1	167.33	167.33	NA
58	HLLM			4 x (237/255)	622.08	622.08	NA
59	MHML	•		4	669.33	669.33	NA
60	HLLH		168.04	236/255	155.52	155.52	NA
61	MMHM	•		1	168.04	168.04	NA
62	HLML			4 x (236/255)	622.08	622.08	NA
63	MHML	•		4	672.16	672.16	NA
64	HLMM	•	311.04	1	311.04	311.04	0.008
65	HLMH	•		2	622.08	622.08	0.008
66	HLHL	•		2 x (255/238)	666.51	666.51	NA
67	HLHM			2 x (255/237)	669.33	669.33	NA
68	HLHH			2 x (255/236)	672.16	672.16	NA
69	HMLL	•	622.08	1/32	19.44	19.44	0.008
70	HMLM	•		1/16	38.88	38.88	0.008
71	HMLH	•		1/8	77.76	77.76	0.008
72	HMML	•		1/4	155.52	155.52	0.008
73	HMMM	•		1/2	311.04	311.04	0.008
74	HMMH	•		1	622.08	622.08	0.008
75	HMHL	•		255/238	666.51	666.51	NA
76	HMMH			255/237	669.33	669.33	NA
77	HMHH	•		255/236	672.16	672.16	NA
78	HHLL	•		666.51	1/4 x 238/255	155.52	155.52
79	HMML	•	1/4		166.63	166.63	NA
80	HHLM	•	238/255		622.08	622.08	NA
81	HMMH	•	1		666.51	666.51	NA

# Si53xx-RM

Table 16. SONET Clock Multiplication Settings (FRQTBL=L) (Continued)

No	FRQSEL [3:0]	WB	f <sub>IN</sub> MHz	Mult Factor	Nominal f <sub>OUT</sub> MHz	All Devices	Si5366 Only
						f <sub>CKOUT5</sub> (MHz) (CK_CONF = 0)	FS_OUT (MHz) (CK_CONF = 1)
82	HHLH		669.33	1/4 x 237/255	155.52	155.52	NA
83	HMML	•		1/4	167.33	167.33	NA
84	HHML			237/255	622.08	622.08	NA
85	HMMH	•		1	669.33	669.33	NA
86	HHMM		672.16	1/4 x 236/255	155.52	155.52	NA
87	HMML	•		1/4	168.04	168.04	NA
88	HHMH			236/255	622.08	622.08	NA
89	HMMH	•		1	672.16	672.16	NA



Table 17. Datacom Clock Multiplication Settings (FRQTBL = M, CK\_CONF = 0)

Setting	FRQSEL[3:0]	WB	f <sub>IN</sub> (MHz)	Mult Factor	f <sub>OUT</sub> * (MHz)	
0	LLLL	•	15.625	2	31.25	
1	LLLM	•		4	62.5	
2	LLLH	•		8	125	
3	LLML	•		16	250	
4	LLMM	•	25	17/4	106.25	
5	LLMH	•		5	125	
6	LLHL			25/4 x 66/64	161.13	
7	LLHM			51/8 x 66/64	164.36	
8	LLHH			25/4 x 66/64 x 255/238	172.64	
9	LMLL			25/4 x 66/64 x 255/237	173.37	
10	LMLM			51/8 x 66/64 x 255/238	176.1	
11	LMLH			51/8 x 66/64 x 255/237	176.84	
12	LMML	•		17/2	212.5	
13	LMMM	•		17	425	
14	LMMH			25 x 66/64	644.53	
15	LMHL			51/2 x 66/64	657.42	
16	LMHM			25 x 66/64 x 255/238	690.57	
17	LMHH			25 x 66/64 x 255/237	693.48	
18	LHLL			51/2 x 66/64 x 255/238	704.38	
19	LHLM			51/2 x 66/64 x 255/237	707.35	
20	LHLH	•		31.25	2	62.5
21	LHML	•			4	125
22	LHMM	•			8	250
23	LHMH	•	53.125	2	106.25	
24	LHHL	•		4	212.5	
25	LHHM	•		8	425	
26	LHHH	•	106.25	3/2 x 66/64	164.36	
27	MLLL			3/2 x 66/64 x 255/238	176.1	
28	MLLM			3/2 x 66/64 x 255/237	176.84	
29	MLLH	•		2	212.5	
30	MLML	•		4	425	
31	MLMM	•		6 x 66/64	657.42	
32	MLMH			6 x 66/64 x 255/238	704.38	
33	MLHL			6 x 66/64 x 255/237	707.35	

**Table 17. Datacom Clock Multiplication Settings (FRQTBL = M, CK\_CONF = 0) (Continued)**

Setting	FRQSEL[3:0]	WB	f <sub>IN</sub> (MHz)	Mult Factor	f <sub>OUT</sub> * (MHz)
34	MLHM	•	125	10/8 x 66/64	161.13
35	MLHH			10/8 x 66/64 x 255/238	172.64
36	MMLL			10/8 x 66/64 x 255/237	173.37
37	MMLM	•		5 x 66/64	644.53
38	MMLH			5 x 66/64 x 255/238	690.57
39	MMML			5 x 66/64 x 255/237	693.48
40	MMMM	•	156.25	66/64	161.13
41	MMMh			66/64 x 255/238	172.64
42	MMHL			66/64 x 255/237	173.37
43	MMHM	•		4 x 66/64	644.53
44	MMHH			4 x 66/64 x 255/238	690.57
45	MHLL			4 x 66/64 x 255/237	693.48
46	MMMM	•	159.375	66/64	164.36
47	MMMh			66/64 x 255/238	176.1
48	MMHL			66/64 x 255/237	176.84
49	MMHM	•		4 x 66/64	657.4
50	MMHH			4 x 66/64 x 255/238	704.38
51	MHLL			4 x 66/64 x 255/237	707.35
52	MHLM	•	161.13	4/5 x 64/66	125
53	MHLH	•		255/238	172.64
54	MHML			255/237	173.37
55	MHMM	•		4	644.53
56	MHMh	•		4 x 255/238	690.57
57	MHHL			4 x 255/237	693.48
58	MHHM		164.36	2/3 x 64/66	106.25
59	MHLH	•		255/238	176.1
60	MHML			255/237	176.84
61	MHMM	•		4	657.42
62	MHMh	•		4 x 255/238	704.38
63	MHHL			4 x 255/237	707.35
64	MHHH		172.64	4/5 x 64/66 x 238/255	125
65	HLLL			64/66 x 238/255	156.25
66	HLLM	•		238/255	161.13
67	HLLH	•		4 x 238/255	644.53
68	MHMM	•		4	690.57

Table 17. Datacom Clock Multiplication Settings (FRQTBL = M, CK\_CONF = 0) (Continued)

Setting	FRQSEL[3:0]	WB	f <sub>IN</sub> (MHz)	Mult Factor	f <sub>OUT</sub> * (MHz)
69	HLML		173.37	4/5 x 64/66 x 237/255	125
70	HLMM			64/66 x 237/255	156.25
71	HLMH	•		237/255	161.13
72	HLHL			4 x 237/255	644.53
73	MHMM	•		4	693.48
74	HLHM		176.1	2/3 x 64/66 x 238/255	106.25
75	HLLL			64/66 x 238/255	159.375
76	HLLM	•		238/255	164.36
77	HLLH	•		4 x 238/255	657.42
78	MHMM	•		4	704.38
79	HLHH		176.84	2/3 x 64/66 x 237/255	106.25
80	HLMM			64/66 x 237/255	159.375
81	HLMH	•		237/255	164.36
82	HLHL			4 x 237/255	657.42
83	MHMM	•		4	707.35
84	HMLL	•	212.5	2	425
85	HMLM	•	425	1	425
86	HMLH	•	644.53	1/5 x 64/66	125
87	HMML	•		1/4	161.13
88	HMMM	•		1	644.53
89	HMMH	•		255/238	690.57
90	HMHL			255/237	693.48
91	HMHM	•	657.42	1/6 x 64/66	106.25
92	HMML	•		1/4	164.36
93	HMMM	•		1	657.42
94	HMMH	•		255/238	704.38
95	HMHL			255/237	707.35
96	HMHH		690.57	1/5 x 64/66 x 238/255	125
97	HHLL	•		1/4 x 64/66 x 238/255	156.25
98	HHLM	•		1/4 x 238/255	161.13
99	HMML	•		1/4	172.64
100	HHLH	•		238/255	644.53
101	HMMM	•		1	690.57

Table 17. Datacom Clock Multiplication Settings (FRQTBL = M, CK\_CONF = 0) (Continued)

Setting	FRQSEL[3:0]	WB	f <sub>IN</sub> (MHz)	Mult Factor	f <sub>OUT</sub> * (MHz)
102	HHML		693.48	1/5 x 64/66 x 237/255	125
103	HHMM			1/4 x 64/66 x 237/255	156.25
104	HHMH	•		1/4 x 237/255	161.13
105	HMML	•		1/4	173.37
106	HHHL			237/255	644.53
107	HMMM	•		1	693.48
108	HHHM			704.38	1/6 x 64/66 x 238/255
109	HHLL		1/4 x 64/66 x 238/255		159.375
110	HHLM	•	1/4 x (238/255)		164.36
111	HMML	•	1/4		176.1
112	HHLH	•	238/255		657.42
113	HMMM	•	1		704.38
114	HHHH		707.35		1/6 x 64/66 x 237/255
115	HHMM			1/4 x 64/66 x 237/255	159.375
116	HHMH	•		1/4 x (237/255)	164.36
117	HMML	•		1/4	176.84
118	HHHL			237/255	657.42
119	HMMM	•		1	707.35

Table 18. SONET to Datacom Clock Multiplication Settings

Setting	FRQSEL[3:0]	WB	f <sub>IN</sub> (MHz)	Mult Factor	f <sub>OUT</sub> * (MHz)
0	LLLL		0.008	3125	25
1	LLLM			6480	51.84
2	LLLH			53125/8	53.125
3	LLML			15625/2	62.5
4	LLMM			53125/4	106.25
5	LLMH			15625	125
6	LLHL			78125/4	156.25
7	LLHM			159375/8	159.375
8	LLHH			53125/2	212.5
9	LMLL		53125	425	
10	LMLM		19.440	625/486	25
11	LMLH			10625/3888	53.125
12	LMML			3125/972	62.5
13	LMMM			10625/1944	106.25
14	LMMH			3125/486	125
15	LMHL			15625/1944	156.25
16	LMHM			31875/3888	159.375
17	LMHH			15625/1944 x 66/64	161.13
18	LHLL			31875/3888 x 66/64	164.36
19	LHLM			15625/1944 x 66/ 64 x 255/238	172.64
20	LHLH			31875/3888 x 66/ 64 x 255/238	176.1
21	LHML			10625/972	212.5
22	LHMM			10625/486	425
23	LHMH			15625/486 x 66/64	644.53
24	LHHL			31875/972 x 66/64	657.42
25	LHHM			15625/486 x 66/ 64 x 255/238	690.57
26	LHHH			31875/972 x 66/ 64 x 255/238	704.38
27	MLLL		27.000	1	27
28	MLLM			250/91	74.17582
29	MLLH			11/4	74.25

**Table 18. SONET to Datacom Clock Multiplication Settings (Continued)**

Setting	FRQSEL[3:0]	WB	f <sub>IN</sub> (MHz)	Mult Factor	f <sub>OUT</sub> * (MHz)
30	MLML	•	62.500	2	125
31	MLMM	•		4	250
32	MLMH		74.176	91/250	27
33	MLHL			1	74.17582
34	MLHM			91 x 11/250 x 4	74.25
35	MLHH		74.250	4/11	27
36	MMLL			4 x 250/11 x 91	74.17582
37	MMLM			1	74.25
38	MMLH		77.760	10625/7776	106.25
39	MMML			3125/1944	125
40	MMMM			15625/7776	156.25
41	MMMH			31875/15552	159.375
42	MMHL			15625/7776 x 66/64	161.13
43	MMHM			31875/15552 x 66/64	164.36
44	MMHH			15625/7776 x 66/ 64 x 255/238	172.64
45	MHLL			31875/15552 x 66/ 64 x 255/238	176.1
46	MHLM			10625/3888	212.5
47	MHLH			10625/1944	425
48	MHML			15625/1944 x 66/64	644.53
49	MHMM			31875/3888 x 66/64	657.42
50	MHMH			15625/1944 x 66/ 64 x 255/238	690.57
51	MHHL			31875/3888 x 66/ 64 x 255/238	704.38

Table 18. SONET to Datacom Clock Multiplication Settings (Continued)

Setting	FRQSEL[3:0]	WB	f <sub>IN</sub> (MHz)	Mult Factor	f <sub>OUT</sub> * (MHz)	
52	MHHM		155.520	15625/15552	156.25	
53	MHHH			31875/31104	159.375	
54	HLLL			15625/15552 x 66/64	161.13	
55	HLLM			31875/31104 x 66/64	164.36	
56	HLLH			15625/15552 x 66/ 64 x 255/238	172.64	
57	HLML			31875/31104 x 66/ 64 x 255/238	176.1	
58	HLMM			10625/7776	212.5	
59	HLMH			10625/3888	425	
60	HLHL			15625/3888 x 66/64	644.53	
61	HLHM			31875/7776 x 66/64	657.42	
62	HLHH			15625/3888 x 66/ 64 x 255/238	690.57	
63	HMLL			31875/7776 x 66/ 64 x 255/238	704.38	
64	HMLM			622.080	15625/15552 x 66/64	644.53
65	HMLH				31875/31104 x 66/64	657.42
66	HMML		15625/15552 x 66/ 64 x 255/238		690.57	
67	HMMM		31875/31104 x 66/ 64 x 255/238		704.38	

### 6.1.3. CKOUT3 and CKOUT4 (Si5365 and Si5366)

Submultiples of the output frequency on CKOUT1 and CKOUT2 can be produced on the CKOUT3 and CKOUT4 outputs using the DIV34 [1:0] control pins as shown in Table 19.

**Table 19. Clock Output Divider Control (DIV34)**

DIV34[1:0]	Output Divider Value
HH	32
HM	16
HL	10
MH	8
MM	6
ML	5
LH	4
LM	2
LL	1

### 6.1.4. Loop bandwidth (Si5316, Si5322, Si5323, Si5365, Si5366)

The loop bandwidth (BW) is digitally programmable using the BWSEL [1:0] input pins. The device operating frequency should be determined prior to loop bandwidth configuration because the loop bandwidth is a function of the phase detector input frequency and the PLL feedback divider setting. Use DSPLLsim to calculate these values automatically. This utility is available for download from [www.silabs.com/timing](http://www.silabs.com/timing).

### 6.1.5. Jitter Tolerance (Si5316, Si5323, Si5366)

Refer to "5.2.3. Jitter Tolerance" on page 49.

### 6.1.6. Narrowband Performance (Si5316, Si5323, Si5366)

The DCO uses the reference clock on the XA/XB pins as its reference for jitter attenuation. The XA/XB pins support either a crystal oscillator or an input buffer (single-ended or differential) so that an external oscillator can be used as the reference source. The reference source is chosen with the RATE [1:0] pins. In both cases, there are wide margins in the absolute frequency of the reference input because it is a fixed frequency reference and is only used as a jitter reference and holdover reference (see "6.4. Digital Hold/VCO Freeze" on page 70).

However, care must be taken in certain areas for optimum performance. For details on this subject, refer to "Appendix B—Frequency Plans and Jitter Performance (Si5316, Si5319, Si5323, Si5324, Si5326, Si5327, Si5366, Si5368, Si5369, Si5374, Si5375)" on page 121. For examples of connections to the XA/XB pins, refer to "8.4. Crystal/Reference Clock Interfaces (Si5316, Si5319, Si5323, Si5324, Si5326, Si5327, Si5366, Si5368, Si5369, Si5374, and Si5375)" on page 113.

### 6.1.7. Input-to-Output Skew (Si5316, Si5323, Si5366)

The input-to-output skew for these devices is not controlled.

### 6.1.8. Wideband Performance (Si5322 and Si5365)

These devices operate as wideband clock multipliers without an external resonator or reference clock. They are ideal for applications where the input clock is already low jitter and only simple clock multiplication is required. A limited selection of clock multiplication factors is available (See Table 16, Table 17, and Table 18).

### 6.1.9. Lock Detect (Si5322 and Si5365)

A PLL loss of lock indicator is not available in these parts.

### 6.1.10. Input-to-Output Skew (Si5322 and Si5365)

The input-to-output skew for these devices is not controlled.



## 6.2. PLL Self-Calibration

An internal self-calibration (ICAL) is performed before operation to optimize loop parameters and jitter performance. While the self-calibration is being performed, the DSPLL is being internally controlled by the self-calibration state machine, and the LOL alarm will be active for narrowband parts. The self-calibration time  $t_{LOCKHW}$  is given in Table 8, “AC Characteristics—All Devices”.

Any of the following events will trigger a self-calibration:

- Power-on-reset (POR)
- Release of the external reset pin  $\overline{RST}$  (transition of  $\overline{RST}$  from 0 to 1)
- Change in FRQSEL, FRQTBL, BWSEL, or RATE pins
- Internal DSPLL registers out-of-range, indicating the need to relock the DSPLL.

In any of the above cases, an internal self-calibration will be initiated if a valid input clock exists (no input alarm) and is selected as the active clock at that time. For the Si5316, Si5323 and Si5366, the external crystal or reference clock must also be present for the self-calibration to begin. If valid clocks are not present, the self-calibration state machine will wait until they appear, at which time the calibration will start. All outputs are on during the calibration process.

After a successful self-calibration has been performed with a valid input clock, no subsequent self-calibrations are performed unless one of the above conditions are met. If the input clock is lost following self-calibration, the device enters digital hold mode. When the input clock returns, the device relocks to the input clock without performing a self-calibration. (Narrow band devices only).

### 6.2.1. Input Clock Stability during Internal Self-Calibration (Si5316, Si5322, Si5323, Si5365, Si5366)

An exit from reset must occur when the selected CKINn clock is stable in frequency with a frequency value that is within the operating range that is reported by  $DSPLLsim$ . The other CKINs must also either be stable in frequency or squelched during a reset.

### 6.2.2. Self-Calibration caused by Changes in Input Frequency (Si5316, Si5322, Si5323, Si5365, Si5366)

If the selected CKINn varies by 500 ppm or more in frequency since the last calibration, the device may initiate a self-calibration.

### 6.2.3. Recommended Reset Guidelines (Si5316, Si5322, Si5323, Si5365, Si5366)

Follow the recommended RESET guidelines in Table 20 and Table 21 when reset should be applied to a device.

# Si53xx-RM

**Table 20. Si5316, Si5322, and Si5323 Pins and Reset**

Pin #	Si5316 Pin Name	Si5322 Pin Name	Si5323 Pin Name	Must Reset after Changing
2	N/A	FRQTBL	FRQTBL	Yes
11	RATE 0	N/A	RATE 0	Yes
14	DBL_BY	DBL2_BY	DBL2_BY	No
15	RATE1	N/A	RATE1	Yes
19	N/A	N/A	DEC	No
20	N/A	N/A	INC	No
22	BWSEL0	BWSEL0	BWSEL0	Yes
23	BWSEL1	BWSEL1	BWSEL1	Yes
24	FRQSEL0	FRQSEL0	FRQSEL0	Yes
25	FRQSEL1	FRQSEL1	FRQSEL1	Yes
26	N/A	FRQSEL2	FRQSEL2	Yes
27	N/A	FRQSEL3	FRQSEL3	Yes
30	SFOUT1	N/A	SFOUT1	No, but skew not guaranteed without Reset
33	SFOUT0	N/A	SFOUT0	No, but skew not guaranteed without Reset

**Table 21. Si5365 and Si5366 Pins and Reset**

Pin #	Si5365 Pin Name	Si5366 Pin Name	Must Reset after Changing
4	FRQTBL	FRQTBL	Yes
32	N/A	RATE 0	Yes
42	N/A	RATE 1	Yes
51	N/A	CK_CONF	Yes
54	N/A	DEC	No
55	N/A	INC	No
60	BWSEL0	BSWEL0	Yes
61	BWSEL1	BWSEL1	Yes
66	DIV34_0	DIV34_0	Yes
67	DIV34_1	DIV34_1	Yes
68	FRQSEL0	FRQSEL0	Yes
69	FRQSEL1	FRQSEL1	Yes
70	FRQSEL2	FRQSEL2	Yes
71	FRQSEL3	FRQSEL3	Yes
80	N/A	SFOUT1	No, but skew not guaranteed without Reset
95	N/A	SFOUT0	No, but skew not guaranteed without Reset

### 6.3. Pin Control Input Clock Control

This section describes the clock selection capabilities (manual input selection, automatic input selection, hitless switching, and revertive switching). When switching between two clocks, LOL may temporarily go high if the two clocks differ in frequency by more than 100 ppm.

#### 6.3.1. Manual Clock Selection

Manual control of input clock selection is chosen via the CS[1:0] pins according to Table 22 and Table 23.

**Table 22. Manual Input Clock Selection (Si5316, Si5322, Si5323), AUTOSEL = L**

CS (Si5316) CS_CA (Si5322, Si5323)	Si5316	Si5322	Si5323
0	CKIN1		
1	CKIN2		

The manual input clock selection settings for the Si5365 and the Si5366 are shown in Table 23. The Si5366 has two modes of operation (See Section “6.5. Frame Synchronization (Si5366)”). With CK\_CONF = 0, any of the four input clocks may be selected manually; however, when CK\_CONF = 1 the inputs are paired, CKIN1 is paired with CKIN3 and likewise for CKIN2 and CKIN4. Therefore, only two settings are available to select one of the two pairs.

**Table 23. Manual Input Clock Selection (Si5365, Si5366), AUTOSEL = L**

[CS1_CA4, CS0_CA3]_Pins	Si5365	Si5366	
		CK_CONF = 0 (5 Output Clocks)	CK_CONF = 1 (FS_OUT Configuration)
00	CKIN1	CKIN1	CKIN1/CKIN3
01	CKIN2	CKIN2	CKIN2/CKIN4
10	CKIN3	CKIN3	Reserved
11	CKIN4	CKIN4	Reserved

#### Notes:

1. To avoid clock switching based on intermediate states during a CS state change, the CS input pins are internally deglitched.
2. If the selected clock enters an alarm condition, the PLL enters digital hold mode.

## 6.3.2. Automatic Clock Selection (Si5322, Si5323, Si5365, Si5366)

The AUTOSEL input pin sets the input clock selection mode as shown in Table 24. Automatic switching is either revertive or non-revertive. Setting AUTOSEL to M or H, changes the CSn\_CAM pins to output pins that indicate the state of the automatic clock selection (See Table 25 and Table 26). Digital hold is indicated by all CnB signals going high after a valid ICAL.

**Table 24. Automatic/Manual Clock Selection**

AUTOSEL	Clock Selection Mode
L	Manual (See Previous Section)
M	Automatic Non-revertive
H	Automatic Revertive

**Table 25. Clock Active Indicators (AUTOSEL = M or H) (Si5322 and Si5323)**

CS_CA	Active Clock
0	CKIN1
1	CKIN2

**Table 26. Clock Active Indicators (AUTOSEL = M or H) (Si5365 and Si5367)**

CA1	CA2	CS0_CA3	CS1_CA4	Active Clock
1	0	0	0	CKIN1
0	1	0	0	CKIN2
0	0	1	0	CKIN3
0	0	0	1	CKIN4

The prioritization of clock inputs for automatic switching is shown in Table 27 and Table 28. This priority is hardwired in the devices.

**Table 27. Input Clock Priority for Auto Switching (Si5322, Si5323)**

Priority	Input Clocks
1	CKIN1
2	CKIN2
3	Digital Hold

**Table 28. Input Clock Priority for Auto Switching (Si5365, Si5366)**

Priority	Input Clock Configuration	
	Si5365	Si5366
		4 Input Clocks (CK_CONF = 0)
1	CKIN1	CKIN1/CKIN3
2	CKIN2	CKIN2/CKIN4
3	CKIN3	N/A
4	CKIN4	N/A
5	Digital Hold	Digital Hold

At power-on or reset, the valid CKINn with the highest priority (1 being the highest priority) is automatically selected. If no valid CKINn is available, the device suppresses the output clocks and waits for a valid CKINn signal. If the currently selected CKINn goes into an alarm state, the next valid CKINn in priority order is selected. If no valid CKINn is available, the device enters Digital Hold.

Operation in revertive and non-revertive is different when a signal becomes valid:

Revertive (AUTOSEL = H): The device constantly monitors all CKINn. If a CKINn with a higher priority than the current active CKINn becomes valid, the active CKINn is changed to the CKINn with the highest priority.

Non-revertive (AUTOSEL = M): The active clock does not change until there is an alarm on the active clock. The device will then select the highest priority CKINn that is valid. Once in digital hold, the device will switch to the first CKINn that becomes valid.

### 6.3.3. Hitless Switching with Phase Build-Out (Si5323, Si5366)

Silicon Laboratories switching technology performs “phase build-out” to minimize the propagation of phase transients to the clock outputs during input clock switching. All switching between input clocks occurs within the input multiplexor and phase detector circuitry. The phase detector circuitry continually monitors the phase difference between each input clock and the DSPLL output clock,  $f_{OSC}$ . The phase detector circuitry can lock to a clock signal at a specified phase offset relative to  $f_{OSC}$  so that the phase offset is maintained by the PLL circuitry.

At the time a clock switch occurs, the phase detector circuitry knows both the input-to-output phase relationship for the original input clock and for the new input clock. The phase detector circuitry locks to the new input clock at the new clock's phase offset so that the phase of the output clock is not disturbed. The phase difference between the two input clocks is absorbed in the phase detector's offset value, rather than being propagated to the clock output.

The switching technology virtually eliminates the output clock phase transients traditionally associated with clock rearrangement (input clock switching).

## 6.4. Digital Hold/VCO Freeze

All Any-Frequency Precision Clock devices feature a hold over or VCO freeze mode, whereby the DSPLL is locked to a digital value.

### 6.4.1. Narrowband Digital Hold (Si5316, Si5323, Si5366)

If an LOS or FOS condition exists on the selected input clock, the device enters digital hold. In this mode, the device provides a stable output frequency until the input clock returns and is validated. When the device enters digital hold, the internal oscillator is initially held to its last frequency value. Next, the internal oscillator slowly transitions to a historical average frequency value that was taken over a time window of 6,711 ms in size that ended 26 ms before the device entered digital hold. This frequency value is taken from an internal memory location that keeps a record of previous DSPLL frequency values. By using a historical average frequency, input clock phase and frequency transients that may occur immediately preceding loss of clock or any event causing digital hold do not affect the digital hold frequency. Also, noise related to input clock jitter or internal PLL jitter is minimized.

If a highly stable reference, such as an oven-controlled crystal oscillator, is supplied at XA/XB, an extremely stable digital hold can be achieved. If a crystal is supplied at the XA/XB port, the digital hold stability will be limited by the stability of the crystal.

### 6.4.2. Recovery from Digital Hold (Si5316, Si5323, Si5366)

When the input clock signal returns, the device transitions from digital hold to the selected input clock. The device performs hitless recovery from digital hold. The clock transition from digital hold to the returned input clock includes “phase buildout” to absorb the phase difference between the digital hold clock phase and the input clock phase.

### 6.4.3. Wideband VCO Freeze (Si5322, Si5365)

If an LOS condition exists on the selected input clock, the device freezes the VCO. In this mode, the device provides a stable output frequency until the input clock returns and is validated. When the device enters VCO freeze, the internal oscillator is initially held to its last frequency value.

## 6.5. Frame Synchronization (Si5366)

FSYNC is used in applications that require a synchronizing pulse that has an exact number of periods of a high-rate clock, Frame Synchronization is selected by setting CK\_CONF = 1 and FRQTBL = L). In a typical frame synchronization application, CKIN1 and CKIN2 are high-speed input clocks from primary and secondary clock generation cards and CKIN3 and CKIN4 are their associated primary and secondary frame synchronization signals. The device generates four output clocks and a frame sync output FS\_OUT. CKIN3 and CKIN4 control the phase of FS\_OUT.

The frame sync inputs supplied to CKIN3 and CKIN4 must be 8 kHz. Since the frequency of FS\_OUT is derived from CKOUT2, CKOUT2 must be a standard SONET frequency (e.g. 19.44 MHz, 77.76 MHz). Table 16 lists the input frequency/clock multiplication ratio combinations supporting an 8 kHz output on FS\_OUT.

## 6.6. Output Phase Adjust (Si5323, Si5366)

Overall device skew (CKIN<sub>n</sub> to CKOUT<sub>n</sub> phase delay) is controllable via the INC and DEC input pins. A positive pulse applied at the INC pin increases the device skew by  $1/f_{OSC}$ , one period of the DCO output clock. A pulse on the DEC pin decreases the skew by the same amount. Since  $f_{OSC}$  is close to 5 GHz, the resolution of the skew control is approximately 200 ps. Using the INC and DEC pins, there is no limit to the range of skew adjustment that can be made. Following a power-up or reset, the skew will revert to the reset value.

The INC pin function is not available for all frequency table selections. DSPLL<sub>sim</sub> reports this whenever it is used to implement a frequency plan.

### 6.6.1. FSYNC Realignment (Si5366)

The FS\_ALIGN pin controls the realignment of FS\_OUT to the active CKIN3 or CKIN4 input. The currently active frame sync input is determined by which input clock is currently being used by the PLL. For example, if CKIN1 is being selected as the PLL input, CKIN3 is the currently-active frame sync input. If neither CKIN3 or CKIN4 are currently active (digital hold), the realignment request is ignored. The active edge used for realignment is the CKIN3 or CKIN4 rising edge.

FS\_ALIGN operates in Level Sensitive mode (See Figure 19, "Frame Synchronization Timing."). While FS\_ALIGN is active, each active edge of the currently-active frame sync input (CKIN3 or CKIN4) is used to control the NC5 output divider and therefore the FS\_OUT phase. Note that while the realignment control is active, it cannot be guaranteed that a fixed number of high-frequency clock (CKOUT2) cycles exists between each FS\_OUT cycle.

The resolution of the phase realignment is 1 clock cycle of CKOUT2. If the realignment control is not active, the NC5 divider will continuously divide down its  $f_{CKOUT2}$  input. This guarantees a fixed number of high-frequency clock (CKOUT2) cycles between each FS\_OUT cycle.

At power-up or any time after the PLL has lost lock and relocked, the device automatically performs a realignment of FS\_OUT using the currently active sync input. After this, as long as the PLL remains in lock and a realignment is not requested, FS\_OUT will include a fixed number of high-speed clock cycles, even if input clock switches are performed. If many clock switches are performed in phase build-out mode, it is possible that the input sync to output sync phase relationship will shift due to the accumulated residual phase transients of the phase build-out circuitry. If the sync alignment error exceeds the threshold in either the positive or negative direction, an alignment alarm becomes active. If it is then desired to reestablish the desired input-to-output sync phase relationship, a realignment can be performed. A realignment request may cause FS\_OUT to instantaneously shift its output edge location in order to align with the active input sync phase.

### 6.6.2. Including FSYNC Inputs in Clock Selection (Si5366)

The frame sync inputs, CKIN3 and CKIN4, are both monitored for loss-of-signal (LOS3\_INT and LOS4\_INT) conditions. To include these LOS alarms in the input clock selection algorithm, set FS\_SW = 1. The LOS3\_INT is logically ORed with LOS1\_INT and LOS4\_INT is ORed with LOS2\_INT as inputs to the clock selection state machine. If it is desired not to include these alarms in the clock selection algorithm, set FS\_SW = 0. The FOS alarms for CKIN3 and CKIN4 are ignored. See Table 33 on page 74.

### 6.6.3. FS\_OUT Polarity and Pulse Width Control (Si5366)

Additional output controls are available for FS\_OUT. FS\_OUT is active high, and the pulse width is equal to one period of the CKOUT2 output clock. For example, if CKOUT2 is 622.08 MHz, the FS\_OUT pulse width will be  $1/622.08e6 = 1.61$  ns.

### 6.6.4. Using FS\_OUT as a Fifth Output Clock (Si5366)

In applications where the frame synchronization functionality is not needed, FS\_OUT can be used as a fifth clock output. In this case, no realignment requests should be made to the NC5 divider. (This is done by holding FS\_ALIGN to 0 and CK\_CONF = 0).

## 6.6.5. Disabling FS\_OUT (Si5366)

The FS\_OUT may be disabled via the DBLFS pin, see Table 29. The additional state (M) provided allows for FS\_OUT to drive a CMOS load while the other clock outputs use a different signal format as specified by the SFOUT[1:0] pins.

**Table 29. FS\_OUT Disable Control (DBLFS)**

DBLFS	FS_OUT State
H	Tri-State/Powerdown
M	Active/CMOS Format
L	Active/SFOUT[1:0] Format

## 6.7. Output Clock Drivers

The devices include a flexible output driver structure that can drive a variety of loads, including LVPECL, LVDS, CML, and CMOS formats. The signal format is selected jointly for all outputs using the SFOUT [1:0] pins, which modify the output common mode and differential signal swing. See Table 4, “DC Characteristics” for output driver specifications. The SFOUT [1:0] pins are three-level input pins, with the states designated as L (ground), M ( $V_{DD}/2$ ), and H ( $V_{DD}$ ).

Table 30 shows the signal formats based on the supply voltage and the type of load being driven. For the CMOS setting (SFOUT = LH), both output pins drive single-ended in-phase signals and should be externally shorted together to obtain the drive strength specified in Table 4, “DC Characteristics”, see Section “8.2. Output Clock Drivers”.

**Table 30. Output Signal Format Selection (SFOUT)**

SFOUT[1:0]	Signal Format
HL	CML
HM	LVDS
LH	CMOS
LM	Disabled
MH	LVPECL
ML	Low-swing LVDS
All Others	Reserved

The SFOUT [1:0] pins can also be used to disable the output. Disabling the output puts the CKOUT+ and CKOUT– pins in a high-impedance state relative to  $V_{DD}$  (common mode tri-state) while the two outputs remain connected to each other through a 200  $\Omega$  on-chip resistance (differential impedance of 200  $\Omega$ ). The maximum amount of internal circuitry is powered down, minimizing power consumption and noise generation. Changing SFOUT without a reset causes the output to output skew to become random. When SFOUT = LH for CMOS, PLL bypass mode is not supported.

### 6.7.1. LVPECL and CMOS TQFP Output Signal Format Restrictions at 3.3 V (Si5365, Si5366)

The LVPECL and CMOS output formats draw more current than either LVDS or CML. However, the allowed output format pin settings are restricted so that the maximum power dissipation for the TQFP devices is limited when they are operated at 3.3 V. When SFOUT[1:0] = MH or LH (for either LVPECL or CMOS), either DBL5 must be H or DBL34 must be high.



## 6.8. PLL Bypass Mode

The device supports a PLL bypass mode in which the selected input clock is fed directly to all enabled output buffers, bypassing the DSPLL. In PLL bypass mode, the input and output clocks will be at the same frequency. PLL bypass mode is useful in a laboratory environment to measure system performance with and without the effects of jitter attenuation provided by the DSPLL.

The DSBL2/BYPASS pin is used to select the PLL bypass mode according to Table 31.

**Table 31. DSBL2/BYPASS Pin Settings**

DSBL2/BYPASS	Function
L	CKOUT2 Enabled
M	CKOUT2 Disabled
H	PLL Bypass Mode w/ CKOUT2 Enabled

Internally, the bypass path is implemented with high-speed differential signaling for low jitter. Bypass mode does not support CMOS clock output.

## 6.9. Alarms

Summary alarms are available to indicate the overall status of the input signals and frame alignment (Si5366 only). Alarm outputs stay high until all the alarm conditions for that alarm output are cleared.

### 6.9.1. Loss-of-Signal Alarms (Si5316, Si5322, Si5323, Si5365, Si5366)

The device has loss-of-signal circuitry that continuously monitors CKINn for missing pulses. The LOS circuitry generates an internal LOSn\_INT output signal that is processed with other alarms to generate CnB.

An LOS condition on CKIN1 causes the internal LOS1\_INT alarm to become active. Similarly, an LOS condition on CKINn causes the LOSn\_INT alarm to become active. Once a LOSn\_INT alarm is asserted on one of the input clocks, it remains asserted until that input clock is validated over a designated time period. The time to clear LOSn\_INT after a valid input clock appears is listed in Table 8, “AC Characteristics—All Devices”. If another error condition on the same input clock is detected during the validation time then the alarm remains asserted and the validation time starts over.

#### 6.9.1.1. Narrowband LOS Algorithm (Si5316, Si5323, Si5366)

The LOS circuitry divides down each input clock to produce an 8 kHz to 2 MHz signal. (For the Si5316, the output of divider N3 (See Figure 1) is used.) The LOS circuitry over samples this divided down input clock using a 40 MHz clock to search for extended periods of time without input clock transitions. If the LOS monitor detects twice the normal number of samples without a clock edge, a LOSn\_INT alarm is declared. Table 8, “AC Characteristics—All Devices” gives the minimum and maximum amount of time for the LOS monitor to trigger.

#### 6.9.1.2. Wideband LOS Algorithm (Si5322, Si5365)

Each input clock is divided down to produce a 78 kHz to 1.2 MHz signal before entering the LOS monitoring circuitry. The same LOS algorithm as described in the above section is then used.

### 6.9.2. FOS Alarms (Si5365 and Si5366)

If FOS alarms are enabled (See Table 32), the internal frequency offset alarms (FOSn\_INT) indicate if the input clocks are within a specified frequency band relative to the frequency of CKIN2. The frequency offset monitoring circuitry compares the frequency of the input clock(s) with CKIN2. If the frequency offset of an input clock exceeds a preset frequency offset threshold, an FOS alarm (FOSn\_INT) is declared for that clock input. Note that FOS monitoring is not available on CKIN3 and CKIN4 if CK\_CONF = 1. The device supports FOS hysteresis per GR-1244-CORE, making the device less susceptible to FOS alarm chattering. A TCXO or OCXO reference clock must be used in conjunction with either the SMC or Stratum 3/3E settings. Note that wander can cause false FOS alarms.

**Table 32. Frequency Offset Control (FOS\_CTL)**

FOS_CNTL	Meaning
L	FOS Disabled.
M	Stratum 3/3E FOS Threshold (12 ppm)
H	SONET Minimum Clock Threshold (48 ppm)

### 6.9.3. FSYNC Align Alarm (Si5366 and CK\_CONF = 1 and FRQTBL = L)

At power-up or any time after the PLL has lost lock and relocked, the device automatically performs a realignment of FS\_OUT using the currently active sync input. After this, as long as the PLL remains in lock and a realignment is not requested, FS\_OUT will include a fixed number of high-speed clock cycles, even if input clock switches are performed. If many clock switches are performed, it is possible that the input sync to output sync phase relationship will shift due to the accumulated residual phase transients of the phase build-out circuitry. The internal ALIGN\_INT signal is asserted when the accumulated phase errors exceeds two cycles of CKOUT2.

### 6.9.4. C1B and C2B Alarm Outputs (Si5316, Si5322, Si5323)

The alarm outputs (C1B and C2B) are determined directly by the LOS1\_INT and LOS2\_INT internal indicators directly. That is C1B = LOS1 and C2B = LOS2.

### 6.9.5. C1B, C2B, C3B, and ALRMOUT Outputs (Si5365, Si5366)

The alarm outputs (C1B, C2B, C3B, ALRMOUT) provide a summary of various alarm conditions on the input clocks depending on the setting of the FOS\_CNTL and CK\_CONF pins.

The following internal alarm indicators are used in determining the output alarms:

- LOSn\_INT: See section "6.9.1. Loss-of-Signal Alarms (Si5316, Si5322, Si5323, Si5365, Si5366)" for a description of how LOSn\_INT is determined
- FOSn\_INT: See section "6.9.2. FOS Alarms (Si5365 and Si5366)" for a description of how FOSn\_INT is determined
- ALIGN\_INT: See section "6.9.3. FSYNC Align Alarm (Si5366 and CK\_CONF = 1 and FRQTBL = L)" for a description of how ALIGN\_INT is determined

Based on the above internal signals and the settings of the CK\_CONF and FOS\_CTL pins, the outputs C1B, C2B, C3B, ALRMOUT are determined (See Table 33). For details, see "Appendix D—Alarm Structure" on page 144.

**Table 33. Alarm Output Logic Equations**

CK_CONF	FOS_CTL	Alarm Output Equations
0 Four independent input clocks	L (Disables FOS)	C1B = LOS1_INT C2B = LOS2_INT C3B = LOS3_INT ALRMOUT = LOS4_INT
	M or H	C1B = LOS1_INT or FOS1_INT C2B = LOS2_INT or FOS2_INT C3B = LOS3_INT or FOS3_INT ALRMOUT = LOS4_INT or FOS4_INT
1 (FSYNC switching mode)	L (Disables FOS)	C1B = LOS1_INT or (LOS3_INT and FSYNC_SWTCH) C2B = LOS2_INT or (LOS4_INT and FSYNC_SWTCH) C3B = tri-state ALRMOUT = ALIGN_INT
	M or H	C1B = LOS1_INT or (LOS3_INT and FSYNC_SWTCH) or FOS1_INT C2B = LOS2_INT or (LOS4_INT and FSYNC_SWTCH) or FOS2_INT C3B = tri-state ALRMOUT = ALIGN_INT

### 6.9.5.1. PLL Lock Detect (Si5316, Si5323, Si5366)

The PLL lock detection algorithm indicates the lock status on the LOL output pin. The algorithm works by continuously monitoring the phase of the input clock in relation to the phase of the feedback clock. If the time between two consecutive phase cycle slips is greater than the Retrigger Time, the PLL is in lock. The LOL output has a guaranteed minimum pulse width as shown in (Table 8, “AC Characteristics—All Devices”). The LOL pin is also held in the active state during an internal PLL calibration.

The retrigger time is automatically set based on the PLL closed loop bandwidth (See Table 34).

**Table 34. Lock Detect Retrigger Time**

PLL Bandwidth Setting (BW)	Retrigger Time (ms)
60–120 Hz	53
120–240 Hz	26.5
240–480 Hz	13.3
480–960 Hz	6.6
960–1920 Hz	3.3
1920–3840 Hz	1.66
3840–7680 Hz	.833

### 6.9.5.2. Lock Detect (Si5322, Si5365)

A PLL loss of lock indicator is not available for these devices.

## 6.10. Device Reset

Upon powerup, the device internally executes a power-on-reset (POR) which resets the internal device logic. The pin RST can also be used to initiate a reset. The device stays in this state until a valid CKINn is present, when it then performs a PLL Self-Calibration (See “6.2. PLL Self-Calibration”).

## 6.11. DSPLLsim Configuration Software

To simplify frequency planning, loop bandwidth selection, and general device configuration of the Any-Frequency Precision Clocks. Silicon Laboratories offers the DSPLLsim configuration utility for this purpose. This software is available to download from [www.silabs.com/timing](http://www.silabs.com/timing).

## 7. Microprocessor Controlled Parts (Si5319, Si5324, Si5325, Si5326, Si5327, Si5367, Si5368, Si5369, Si5374, Si5375)

The devices in this family provide a rich set of clock multiplication/clock division options, loop bandwidth selections, output clock phase adjustment, and device control options.

### 7.1. Clock Multiplication

The input frequency, clock multiplication ratio, and output frequency are set via register settings. Because the DSPLL dividers settings are directly programmable, a wide range of frequency translations is available. In addition, a wider range of frequency translations is available in narrowband parts than wideband parts due to the lower phase detector frequency range in narrowband parts. To assist users in finding valid divider settings for a particular input frequency and clock multiplication ratio, Silicon Laboratories offers the DSPLLsim utility to calculate these settings automatically. When multiple divider combinations produce the same output frequency, the software recommends the divider settings that yield the best combination of phase noise performance and power consumption.

#### 7.1.1. Jitter Tolerance (Si5319, Si5324, Si5325, Si5326, Si5327, Si5368, Si5369, Si5374 and Si5375)

See Section 5.2.3.

#### 7.1.2. Wideband Parts (Si5325, Si5367)

These devices operate as wideband clock multipliers without an external resonator or reference clock. This mode may be desirable if the input clock is already low jitter and only simple clock multiplication is required. A limited selection of clock multiplication factors is available in this mode. The input-to-output skew for wideband parts is not controlled.

Refer to Figure 25. The selected input clock passes through the N3 input divider and is provided to the DSPLL. The input-to-output clock multiplication ratio is defined as follows:

$$f_{OUT} = f_{IN} \times N2 / (N1 \times N3)$$

where:

N1 = output divider

N2 = feedback divider

N3 = input divider

$$f_{IN} = 10 \text{ MHz} - 710 \text{ MHz}$$

$$f_{OUT} = 2 \text{ kHz} - 1.4 \text{ GHz}$$

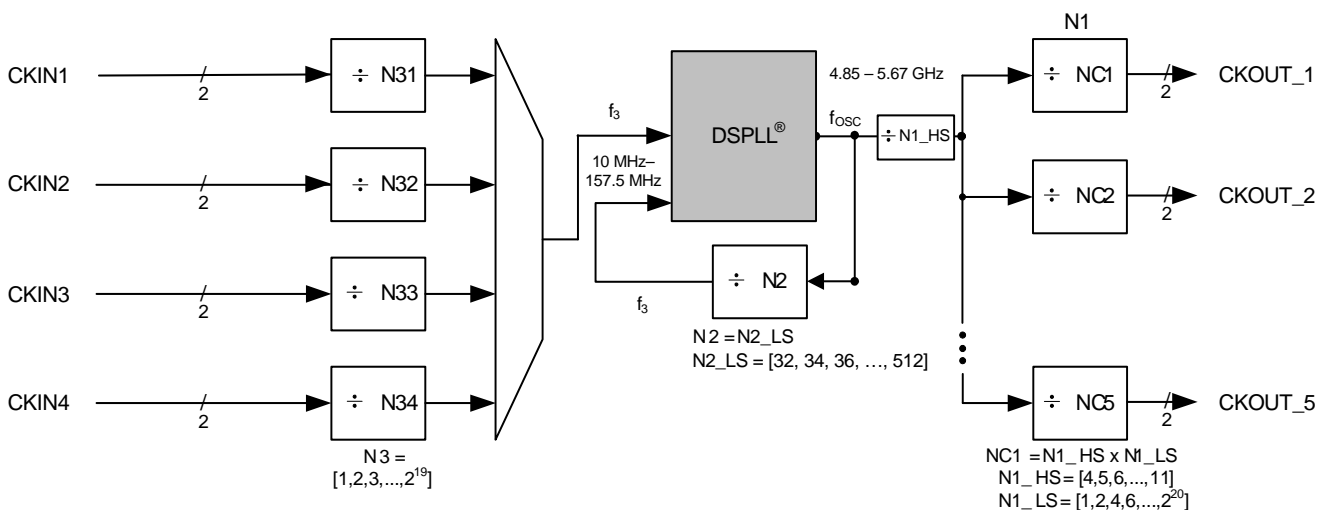


Figure 25. Wideband PLL Divider Settings (Si5325, Si5367)

Because there is only one DCO and all of the outputs must be frequencies that are integer divisions of the DCO frequency, there are restrictions on the ratio of one output frequency to another output frequency. That is, there is considerable freedom in the ratio between the input frequency and the first output frequency; but once the first output frequency is chosen, there are restrictions on subsequent output frequencies. These restrictions are made tighter by the fact that the N1\_HS divider is shared among all of the outputs. DSPLLsim should be used to determine if two different simultaneous outputs are compatible with one another.

The same issue exists for inputs of different frequencies: both inputs, after having been divided by their respective N3 dividers, must result in the same f3 frequency because the phase/frequency detector can operate at only one frequency at one time.

### 7.1.2.1. Loop Bandwidth (Si5325, Si5367)

The loop bandwidth (BW) is digitally programmable using the *BWSEL\_REG*[3:0] register bits. The device operating frequency should be determined prior to loop bandwidth configuration because the loop bandwidth is a function of the phase detector input frequency and the PLL feedback divider. See DSPLLsim for *BWSEL\_REG* settings and associated bandwidth.

### 7.1.2.2. Lock Detect (Si5325, Si5367)

A PLL loss of lock indicator is not available in these devices.

### 7.1.2.3. Input to Output Skew (Si5325, Si5367)

The input to output skew for wideband devices is not controlled.

### 7.1.3. Narrowband Parts (Si5319, Si5324, Si5326, Si5327, Si5368, Si5369, Si5374, Si5375)

The DCO uses the reference clock on the XA/XB pins (*OSC\_P* and *OSC\_N* for the Si5374 and Si5375) as its reference for jitter attenuation. The XA/XB pins support either a crystal oscillator or an input buffer (single-ended or differential) so that an external oscillator can become the reference source. In both cases, there are wide margins in the absolute frequency of the reference input because it is a fixed frequency and is used only as a jitter reference and holdover reference (see "7.6. Digital Hold" on page 87). See "Appendix A—Narrowband References" on page 119 for more details. The Si5374 and Si5375 must be used with an external crystal oscillator and cannot use crystals.

Care must be exercised in certain areas for optimum performance. For details on this subject, refer to "Appendix B—Frequency Plans and Jitter Performance (Si5316, Si5319, Si5323, Si5324, Si5326, Si5327, Si5366, Si5368, Si5369, Si5374, Si5375)" on page 121. For examples of connections to the XA/XB (for the Si5374 and Si5375, *OSC\_P*, *OSC\_N*) pins, refer to "8.4. Crystal/Reference Clock Interfaces (Si5316, Si5319, Si5323, Si5324, Si5326, Si5327, Si5366, Si5368, Si5369, Si5374, and Si5375)" on page 113.

Refer to Figure 26 Narrowband PLL Divider Settings (Si5319, Si5324, Si5326, Si5327, Si5368, Si5374, Si5375), a simplified block diagram of the device and Table 35 and Table 36 for frequency and divider limits. The PLL dividers and their associated ranges are listed in the diagram. Each PLL divider setting is programmed by writing to device registers. There are additional restrictions on the range of the input frequency  $f_{IN}$ , the DSPLL phase detector clock rate  $f_3$ , and the DSPLL output clock  $f_{OSC}$ .

The selected input clock passes through the N3 input divider and is provided to the DSPLL. In addition, the external crystal or reference clock provides a reference frequency to the DSPLL. The DSPLL output frequency,  $f_{OSC}$ , is divided down by each output divider to generate the clock output frequencies. The input-to-output clock multiplication ratio is defined as follows:

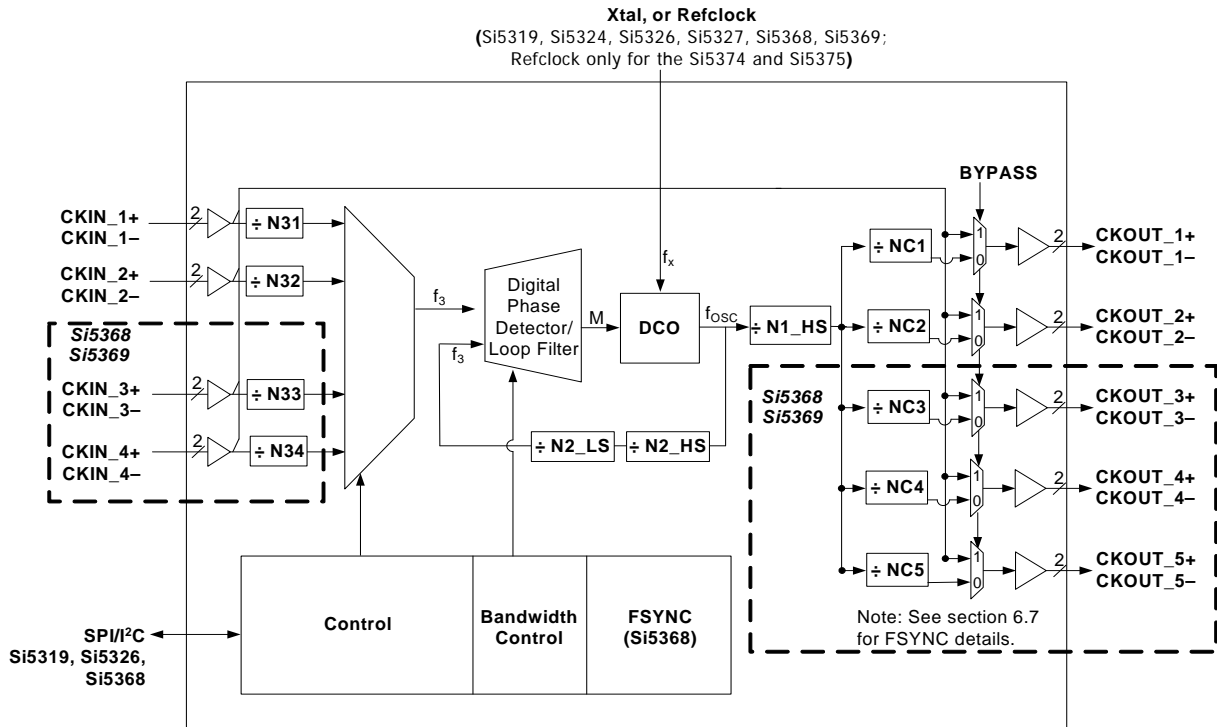
$$f_{OUT} = f_{IN} \times N2 / (N1 \times N3)$$

where:

N1 = output divider

N2 = feedback divider

N3 = input divider



Note: There are multiple outputs at different frequencies because of limitations caused by the DCO and N1\_HS.

**Figure 26. Narrowband PLL Divider Settings**  
(Si5319, Si5324, Si5326, Si5327, Si5368, Si5369, Si5374, Si5375)

**Table 35. Narrowband Frequency Limits**

Signal	Frequency Limits
CKINn	2 kHz–710 MHz
$f_3$	2 kHz–2 MHz
$f_{osc}$	4.85–5.67 GHz
$f_{out}$	2 kHz–1.475 GHz

**Note:** Fmax = 808 MHz for the Si5327, Si5374 and Si5375

**Table 36. Dividers and Limits**

Divider	Equation	Si5325, Si5367	Si5319, Si5324, Si5326, Si5327, Si5368, Si5369, Si5374, Si5375
N1	$N1 = N1\_HS \times NCn\_LS$	$N1\_HS = [4, 5, \dots, 11]$ $NCn\_LS = [1, 2, 4, 6, \dots, 2^{20}]$	$N1\_HS = [4, 5, \dots, 11]$ $NCn\_LS = [1, 2, 4, 6, \dots, 2^{20}]$
N2	$N2 = N2\_HS \times N2\_LS$	$N2\_HS = 1$ $N2\_LS = [32, 34, 36, \dots, 2^9]$	$N2\_HS = [4, 5, \dots, 11]$ $N2\_LS = [2, 4, 6, \dots, 2^{20}]$
N3	$N3 = N3n$	$N3n = [1, 2, 3, \dots, 2^{19}]$	$N3n = [1, 2, 3, \dots, 2^{19}]$

The output divider, NC1, is the product of a high-speed divider (N1\_HS) and a low-speed divider (N1\_LS). Similarly, the feedback divider N2 is the product of a high-speed divider N2\_HS and a low-speed divider N2\_LS. When multiple combinations of high-speed and low-speed divider values are available to produce the desired overall result, selecting the largest possible high-speed divider value will produce lower power consumption. With the  $f_{OSC}$  and N1 ranges given above, any output frequency can be achieved from 2 kHz to 945 MHz where NC1 ranges from (4 x 220) to 6. For NC1 = 5, the output frequency range 970 MHz to 1.134 GHz can be obtained. For NC1 = 4, the output frequency range from 1.2125 to 1.4175 GHz is available.

Because there is only one DCO and all of the outputs must be frequencies that are integer divisions of the DCO frequency, there are restrictions on the ratio of one output frequency to another output frequency. That is, there is considerable freedom in the ratio between the input frequency and the first output frequency; but once the first output frequency is chosen, there are restrictions on subsequent output frequencies. These restrictions are caused by the fact that the N1\_HS divider is shared among all of the outputs. *DSPLLsim* should be used to determine if two different simultaneous outputs are compatible with one another.

The same issue exists for inputs of different frequency: both inputs, after having been divided by their respective N3 dividers, must result in the same f3 frequency because the phase/frequency detector can operate at only one frequency at one time.

#### 7.1.4. Loop Bandwidth (Si5319, Si5326, Si5368, Si5375)

The device functions as a jitter attenuator with digitally programmable loop bandwidth (BW). The loop bandwidth settings range from 60 Hz to 8.4 kHz and are set using the *BWSEL\_REG*[3:0] register bits. The device operating frequency should be determined prior to loop bandwidth configuration because the loop bandwidth is a function of the phase detector input frequency and the PLL feedback divider. See *DSPLLsim* for a table of *BWSEL\_REG* and associated loop bandwidth settings. For more information the loop BW and its effect on jitter attenuation, see "Appendix H—Jitter Attenuation and Loop BW" on page 164.

##### 7.1.4.1. Low Loop Bandwidth (Si5324, Si5327, Si5369, Si5374)

The loop BW of the Si5324, Si5327, Si5369, and Si5374 is significantly lower than the BW of the Si5326. The available Si5324/27/69/74 loop bandwidth settings and their register control values for a given frequency plan are listed by *DSPLLsim* (Revision 4.0.1 or higher) or in Si537x*DSPLLsim*. Compared to the Si5326, the BW Si5324/27/69/74 settings are approximately 16 times lower, which means that the Si5324/27/69/74 loop bandwidth ranges from about 4 to 525 Hz.

#### 7.1.5. Lock Detect (Si5319, Si5326, Si5327, Si5368, Si5369, Si5374, Si5375)

The device has a PLL lock detection algorithm that indicates the lock status on the LOL output pin and the *LOL\_INT* read-only register bit. See Section "7.11.8. LOL (Si5319, Si5324, Si5326, Si5327, Si5368, Si5369, Si5374, Si5375)" for a detailed description of the LOL algorithm.

## 7.2. PLL Self-Calibration

The device performs an internal self-calibration before operation to optimize loop parameters and jitter performance. While the self-calibration is being performed, the DCO is being internally controlled by the self-calibration state machine, and the LOL alarm will be active. The output clocks can either be active or disabled depending on the *SQ\_ICAL* bit setting. The self-calibration time  $t_{LOCKMP}$  is given in Table 8, "AC Characteristics—All Devices". The procedure for initiating the internal self-calibration is described below.

### 7.2.1. Initiating Internal Self-Calibration

Any of the following events will trigger an automatic self-calibration:

- Internal DCO registers out-of-range, indicating the need to relock the DCO
- Setting the *ICAL* register bit to 1

In any of the above cases, an internal self-calibration will be initiated if a valid input clock exists (no input alarm) and is selected as the active clock at that time. The external crystal or reference clock must also be present for the self-calibration to begin (*LOSX\_INT* = 0 [narrowband only]).

When self-calibration is initiated the device generates an output clock if the *SQ\_ICAL* bit is set to 0. The output clock will appear when the device begins self-calibration. The frequency of the output clocks may be as high as 5% above or as low as 20% below the final locked value. If *SQ\_ICAL* = 1, the output clocks are disabled during self-

calibration and will appear after the self-calibration routine is completed. The SQ\_ICAL bit is self-clearing after a successful ICAL.

After a successful self-calibration has been performed with a valid input clock, it is not necessary to reinitiate a self-calibration for subsequent losses of input clock. If the input clock is lost following self-calibration, the device enters digital hold mode. When the input clock returns, the device relocks to the input clock without performing a self-calibration.

After power-up and writing of dividers or PLL registers, the user must set *ICAL* = 1 to initiate a self-calibration. LOL will go low when self calibration is complete. Depending on the selected value of the loop bandwidth, it may take a few seconds more for the output frequency and phase to completely settle.

It is recommended that a software reset precede all ICALs and their associated register writes by setting *RST\_REG* (Register 136.7).

### 7.2.1.1. PLL Self-Calibration (Si5324, Si5327, Si5369, Si5374)

Due to the low loop bandwidth of the Si5324, Si5327, Si5369, and Si5374, the lock time of the Si5324/27/69/75 is significantly longer than the lock time of the Si5326. As a method of reducing the lock time, the *FAST\_LOCK* register bit can be set to improve lock times. As the Si5324/27/69/74 data sheets indicate, *FAST\_LOCK* is the LSB of register 137. When *FAST\_LOCK* is high, the lock time decreases. Because the Si5324/27/74 is initialized with *FAST\_LOCK* low, it must be written before ICAL is set. Typical Si5324/27/69/74 lock times (as defined from the start of ICAL until LOL going low) with *FAST\_LOCK* set are one to two seconds. To further reduce lock times, it is also recommended that a value of 001 be written to *LOCKT* (the three LSBs of register 19).

### 7.2.2. Input Clock Stability during Internal Self-Calibration

An ICAL must occur when the selected active CKINn clock is stable in frequency and with a frequency value that is within the operating range that is reported by *DSPLLsim*. The other CKINs must be stable in frequency (< 100 ppm from nominal) or squelched during an ICAL.

### 7.2.3. Self-Calibration Caused by Changes in Input Frequency

If the selected CKINn varies by 500 ppm or more in frequency since the last calibration, the device may initiate a self-calibration.

### 7.2.4. Narrowband Input-to-Output Skew (Si5319, Si5324, Si5326, Si5327, Si5368, Si5369, Si5374, Si5375)

The input-to-output skew is not controlled. External circuitry is required to control the input-to-output skew. Contact Silicon Labs for further information.

### 7.2.5. Clock Output Behavior Before and During ICAL

**Table 37. CKOUT\_ALWAYS\_ON and SQ\_ICAL Truth Table**

Cases	CKOUT_ALWAYS_ON	SQ_ICAL	Results
1 <sup>1</sup>	0	0	CKOUT OFF until after the first ICAL
2 <sup>2</sup>	0	1	CKOUT OFF until after the first successful ICAL (i.e., when LOL is low)
3 <sup>3</sup>	1	0	CKOUT always ON, including during an ICAL
4 <sup>4</sup>	1	1	CKOUT always ON, including during an ICAL. Use these settings to preserve output-to-output skew

**Notes:**

1. Case 1 should be selected when an output clock is not desired until the part has been initialized after power-up, but is desired all of the time after initialization.
2. Case 2 should be selected when an output clock is never desired during an any ICAL. Case 2 will only generate outputs when the outputs are at the correct output frequency.
3. Case 3 should be selected whenever a clock output is always desired.
4. Case 4 is the same as Case 3.



### 7.3. Input Clock Configurations (Si5367 and Si5368)

The device supports two input clock configurations based on *CK\_CONFIG\_REG*. See "6.5. Frame Synchronization (Si5366)" on page 70 for additional details.

### 7.4. Input Clock Control

This section describes the clock selection capabilities (manual input selection, automatic input selection, hitless switching, and revertive switching). The Si5319, Si5327, and Si5375 support only pin-controlled manual clock selection. Figure 27 and Figure 28 provide top level overviews of the clock selection logic, though they do not cover wideband or frame sync applications. Register values are indicated by underscores and *italics*. Note that, when switching between two clocks, LOL may temporarily go high if the clocks differ in frequency by more than 100 ppm.

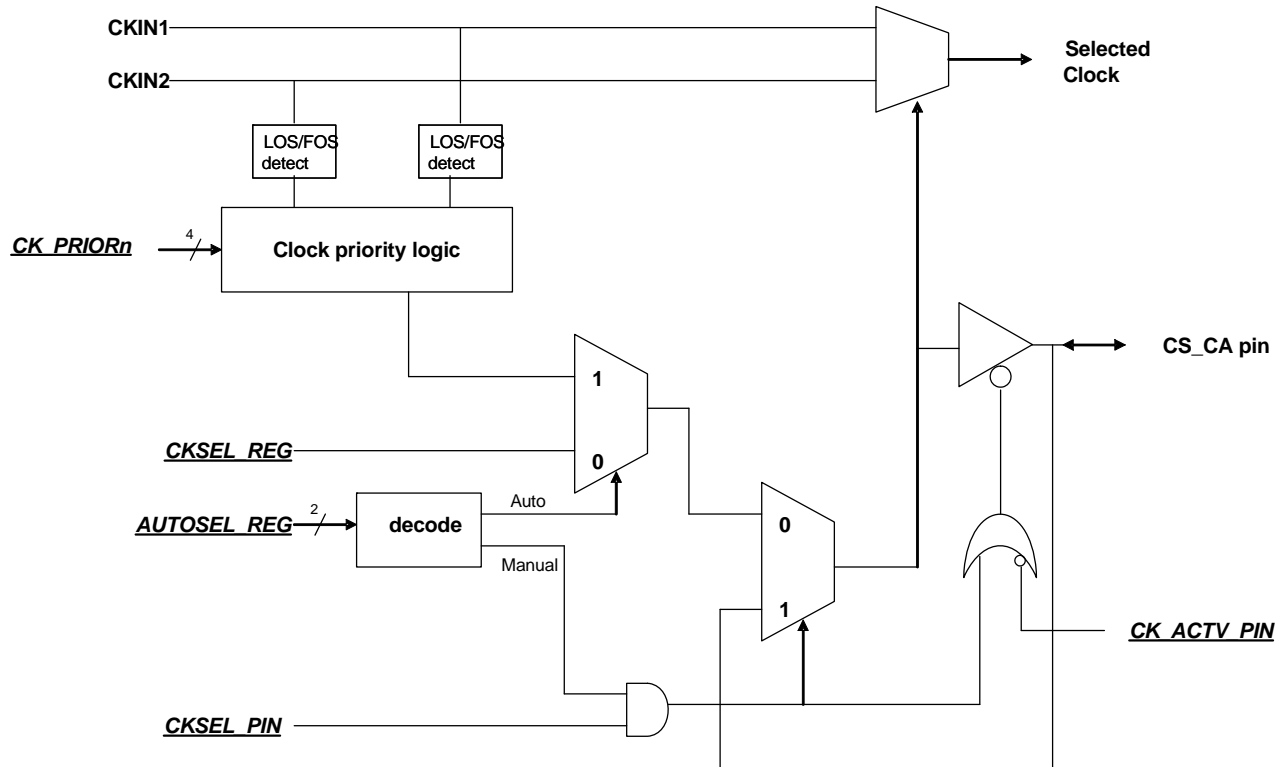
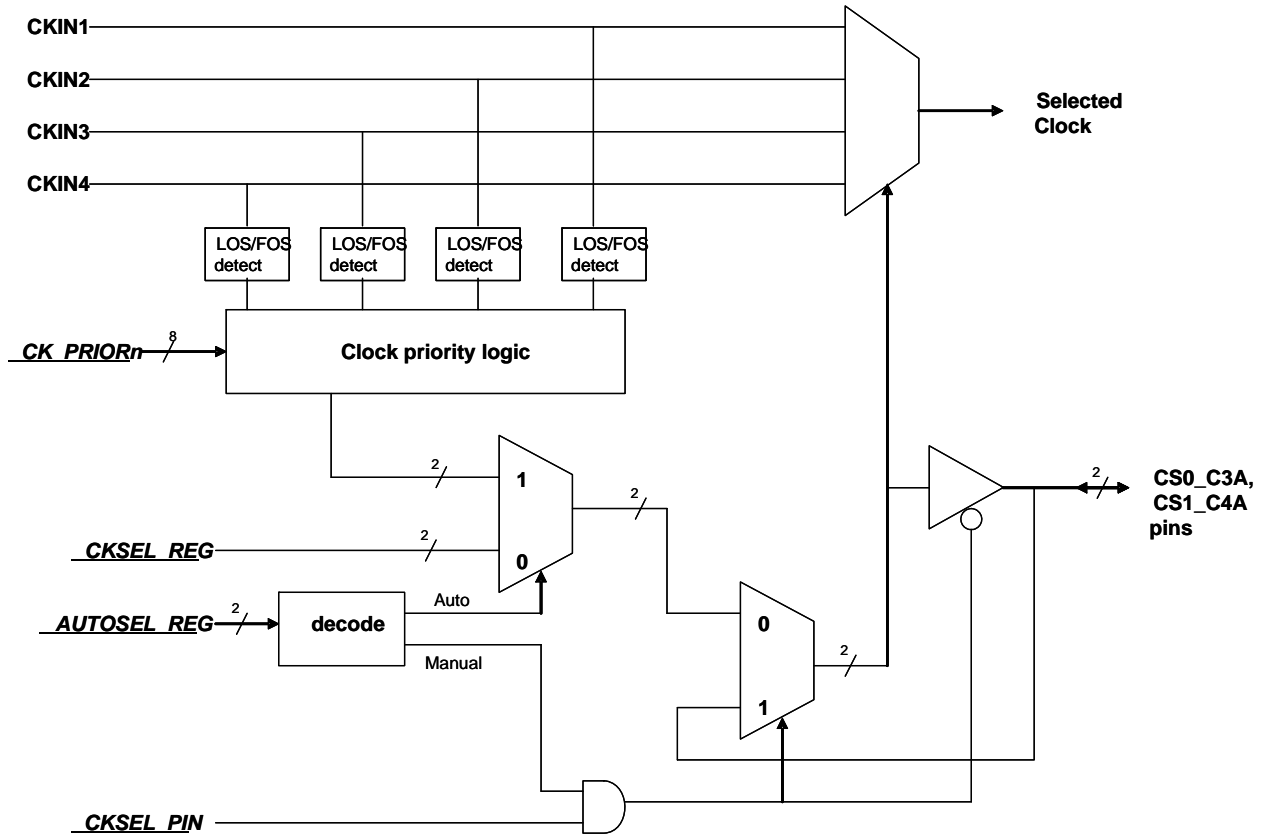


Figure 27. Si5324, Si5325, Si5326, Si5327, and Si5374 Input Clock Selection



**Figure 28. Si5367, Si5368, and Si5369 Input Clock Selection**

### 7.4.1. Manual Clock Selection (Si5324, Si5325, Si5326, Si5367, Si5368, Si5369, Si5374)

Manual control of input clock selection is available by setting the *AUTOSEL\_REG*[1:0] register bits to 00. In manual mode, the active input clock is chosen via the *CKSEL\_REG*[1:0] register setting according to Table 38 and Table 39.

**Table 38. Manual Input Clock Selection (Si5367, Si5368, Si5369)**

<i>CKSEL_REG</i> [1:0] Register Bits	Active Input Clock	
	<i>CK CONFIG_REG</i> = 0 (CKIN1,2,3,4 inputs)	<i>CK CONFIG_REG</i> = 1 (CKIN1,3 & CKIN2,4 clock/FSYNC pairs)
00	CKIN1	CKIN1/CKIN3
01	CKIN2	CKIN2/CKIN4
10	CKIN3	Not used
11	CKIN4	Not used

**Note:** Setting the *CKSEL\_PIN* register bit to one allows the CS [1:0] pins to continue to control input clock selection. If CS\_PIN is set to zero, the *CKSEL\_REG*[1:0] register bits perform the input clock selection function.

**Table 39. Manual Input Clock Selection (Si5324, Si5325, Si5326, Si5374)**

<b><i>CKSEL_REG</i> or CS pin</b>	<b>Active Input Clock</b>
0	CKIN1
1	CKIN2

If the selected clock enters an alarm condition, the PLL enters digital hold mode. The *CKSEL\_REG*[1:0] controls are ignored if automatic clock selection is enabled.

#### **7.4.2. Automatic Clock Selection (Si5324, Si5325, Si5326, Si5367, Si5368, Si5369, Si5374)**

The *AUTOSEL\_REG*[1:0] register bits sets the input clock selection mode as shown in Table 40. Automatic switching is either revertive or non-revertive.

**Table 40. Automatic/Manual Clock Selection**

<b><i>AUTOSEL_REG</i>[1:0]</b>	<b>Clock Selection Mode</b>
00	Manual
01	Automatic Non-revertive
10	Automatic Revertive
11	Reserved

*CKSEL\_PIN* is of significance only when Manual is selected.

##### **7.4.2.1. Detailed Automatic Clock Selection Description (Si5324, Si5325, Si5326, Si5374)**

Automatic switching is either revertive or non-revertive. The default prioritization of clock inputs when the device is configured for automatic switching operation is CKIN1, followed by CKIN2, and finally, digital hold mode. The inverse input clock priority arrangement is available through the *CK\_PRIOR* bits, as shown in the Si5325, Si5326, and Si5374.

For the default priority arrangement, automatic switching mode selects CKIN1 at powerup, reset, or when in revertive mode with no alarms present on CKIN1. If an alarm condition occurs on CKIN1 and there are no active alarms on CKIN2, then the device switches to CKIN2. If both CKIN1 and CKIN2 are alarmed, then the device enters digital hold mode. If automatic mode is selected and the frequency offset alarms (*FOS1\_INT* and *FOS2\_INT*) are disabled, automatic switching is not initiated in response to FOS alarms. The loss-of-signal alarms (*LOS1\_INT* and *LOS2\_INT*) are always used in making automatic clock selection choices.

In non-revertive mode, once CKIN2 is selected, CKIN2 selection remains as long as it is valid even if alarms are cleared on CKIN1.

## 7.4.2.2. Detailed Automatic Clock Selection Description (Si5367, Si5368, Si5369)

The prioritization of clock inputs for automatic switching is shown in Table 41. For example, if  $CK\_CONFIG\_REG = 0$  and the desired clock priority order is CKIN4, CKIN3, CKIN2, and then CKIN1 as the lowest priority clock, the user should set  $CK\_PRIOR1[1:0] = 11$ ,  $CK\_PRIOR2[1:0] = 10$ ,  $CK\_PRIOR3[1:0] = 01$ , and  $CK\_PRIOR4[1:0] = 00$ .

**Table 41. Input Clock Priority for Auto Switching**

$CK\_PRIORn[1:0]$	Selected Clock	
	$CK\_CONFIG\_REG = 0$	$CK\_CONFIG\_REG = 1$
00	CKIN1	CKIN1/CKIN3
01	CKIN2	CKIN2/CKIN4
10	CKIN3	Not Used
11	CKIN4	Not Used

If  $CK\_CONFIG\_REG = 1$  and the desired clock priority is CKIN1/CKIN3 and then CKIN2/CKIN4, the user should set  $CK\_PRIOR1[1:0] = 00$  and  $CK\_PRIOR2[1:0] = 01$  ( $CK\_PRIOR3[1:0]$  and  $CK\_PRIOR4[1:0]$  are ignored in this case).

The following discussion describes the clock selection algorithm for the case of four possible input clocks ( $CK\_CONFIG\_REG = 0$ ) in the default priority arrangement (priority order CKIN1, CKIN2, CKIN3, CKIN4). Automatic switching mode selects CKIN1 at powerup, reset, or when in revertive mode with no alarms present on CKIN1. If an alarm condition occurs on CKIN1 and there are no active alarms on CKIN2, the device switches to CKIN2. If both CKIN1 and CKIN2 are alarmed and there is no alarm on CKIN3, the device switches to CKIN3. If CKIN1, CKIN2, and CKIN3 are alarmed and there is no alarm on CKIN4, the device switches to CKIN4. If alarms exist on CKIN1, CKIN2, CKIN3, and CKIN4, the device enters digital hold mode. If automatic mode is selected and the frequency offset alarms ( $FOS1\_INT$ ,  $FOS2\_INT$ ,  $FOS3\_INT$ ,  $FOS4\_INT$ ) are disabled, automatic switching is not initiated in response to FOS alarms. The loss-of-signal alarms ( $LOS1\_INT$ ,  $LOS2\_INT$ ,  $LOS3\_INT$ ,  $LOS4\_INT$ ) are always used in making automatic clock selection choices. In non-revertive mode, once CKIN2 is selected, CKIN2 selection remains as long as it is valid even if alarms are cleared on CKIN1.

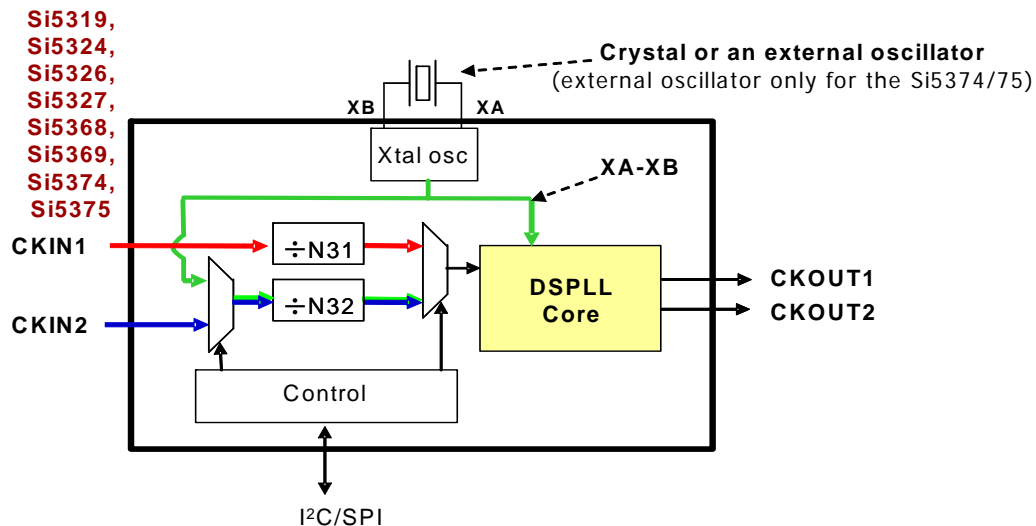
## 7.4.3. Hitless Switching with Phase Build-Out (Si5324, Si5326, Si5327, Si5368, Si5369, Si5374)

Silicon Laboratories switching technology performs phase build-out, which maintains the phase of the output when the input clock is switched. This minimizes the propagation of phase transients to the clock outputs during input clock switching. All switching between input clocks occurs within the input multiplexer and phase detector circuitry. The phase detector circuitry continually monitors the phase difference between each input clock and the DSPLL output clock,  $f_{OSC}$ . The phase detector circuitry can lock to a clock signal at a specified phase offset relative to  $f_{OSC}$  so that the phase offset is maintained by the PLL circuitry.

At the time a clock switch occurs, the phase detector circuitry knows both the input-to-output phase relationship for the original input clock and for the new input clock. The phase detector circuitry locks to the new input clock at the new clock's phase offset so that the phase of the output clock is not disturbed. The phase difference between the two input clocks is absorbed in the phase detector's offset value, rather than being propagated to the clock output. The switching technology virtually eliminates the output clock phase transients traditionally associated with clock rearrangement (input clock switching).

Note that hitless switching between input clocks applies only when the input clock validation time is  $VALTIME[1:0] = 01$  or higher.

## 7.5. Si5319, Si5324, Si5326, Si5327, Si5368, Si5369, Si5374 and Si5375 Free Run Mode



**Figure 29. Free Run Mode Block Diagram**

- CKIN2 has an extra mux with a path to the crystal oscillator output.
- When in Free Run mode, CKIN2 is sacrificed (Si5326, Si5368, Si5369, Si5374).
- Switching between the crystal oscillator and CKIN1 is hitless.
- Either a crystal or an external oscillator can be used.
- External oscillator connection can be either single ended or differential.
- All other features and specifications remain the same.

### 7.5.1. Free Run Mode Programming Procedure

- Using *DSPLLsim*, determine the frequency plan:
  - Write to the internal dividers, including N31 and N32.
- Enable Free Run Mode (the mux select line), *FREE\_RUN*.
- Select CKIN1 as the higher priority clock.
- Establish revertive and autoselect modes.
- Once properly programmed, the part will:
  - Initially lock to either the XA/XB (OSC\_P and OSC\_N for the Si5374/75) or to CKIN1.
  - Automatically select CKIN1, if it is available.
  - Automatically and hitlessly switch to XA/XB if CKIN1 fails.
  - Automatically and hitlessly switch back to CKIN1 when it subsequently returns.
- For the Si5319:
  - Clock selection is manual using an input pin.
  - Clock switching is not hitless.
  - CKIN2 is not available.

### 7.5.2. Clock Control Logic in Free Run Mode

Noting that the mux that selects CKIN2 versus the XA/XB oscillator is located before the clock selection and control logic, when in Free Run mode operation, all such logic will be driven by the XA/XB oscillator, not the CKIN2 pins. For example, when in Free Run mode, the CK2B pin will reflect the status of the XA/XB oscillator and not the status of the CKIN2 pins.

## 7.5.3. Free Run Reference Frequency Constraints

XA/XB Frequency Min	XA/XB Frequency Max	Xtal
109 MHz	125.5 MHz	3rd overtone
37 MHz	41 MHz	Fundamental

$$\frac{CKIN}{N31} = \frac{XA-XB}{N32} = f_3$$

$$\frac{CKOUT}{XA-XB} \neq \text{Integer}$$

- All crystals and external oscillators must lie within these two bands
  - Not every crystal will work; they should be tested
  - An external oscillator can be used at all four bands
- The frequency at the phase detector ( $f_3$ ) must be the same for both CKIN1 and XA/XB or else switching cannot be hitless
- To avoid spurs, avoid outputs that are an integer (or near integer) of the XA/XB frequency.

## 7.5.4. Free Run Reference Frequency Constraints

- While in Free Run:
  - CKOUT frequency tracks the reference frequency.
  - For very low drift, a TCXO or OCXO reference is necessary.
- CKOUT Jitter:
  - XA/XB to CKOUT jitter transfer function is roughly one-to-one.
  - For very low jitter, either use a high quality crystal or external oscillator.
  - 3rd overtone crystals have lower close-in phase noise.
  - In general, higher XA/XB frequency  $\geq$  lower jitter.
- XA/XB frequency accuracy:
  - For hitless switching, to meet all published specifications, the XA/XB frequency divided by N32 should match the CLKIN frequency divided by N31. If they do not match, the clock switch will still be well-behaved.
- Other than the above, the absolute accuracy of the XA/XB frequency is not important.

## 7.6. Digital Hold

All Any-Frequency Precision Clock devices feature a holdover mode, whereby the DSPLL is locked to a digital value.

### 7.6.1. Narrowband Digital Hold (Si5316, Si5324, Si5326, Si5368, Si5369, Si5374)

After the part's initial self-calibration (ICAL), when no valid input clock is available, the device enters digital hold. Referring to the logical diagram in "Appendix D—Alarm Structure" on page 144, lack of clock availability is defined by following the boolean equation for the Si5324, Si5326, and Si5374:

$$(\text{LOS1\_INT OR FOS1\_INT}) \text{ AND } (\text{LOS2\_INT OR FOS2\_INT}) = \text{enter digital hold}$$

The equivalent Boolean equation for the Si5327 is as follows:

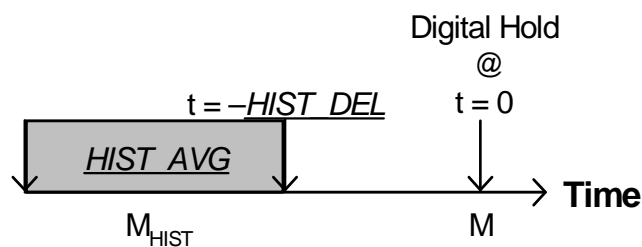
$$\text{LOS1 and LOS2} = \text{enter digital hold}$$

The equivalent boolean equation for the Si5367, Si5368, and Si5369 is as follows:

$$(\text{LOS1\_INT OR FOS1\_INT}) \text{ AND } (\text{LOS2\_INT OR FOS2\_INT}) \text{ AND } (\text{LOS3\_INT OR FOS3\_INT}) \text{ AND } (\text{LOS4\_INT OR FOS4\_INT}) = \text{enter digital hold}$$

#### 7.6.1.1. Digital Hold Detailed Description (Si5324, Si5326, Si5327, Si5368, Si5369, Si5374)

In this mode, the device provides a stable output frequency until the input clock returns and is validated. Upon entering digital hold, the internal DCO is initially held to its last frequency value,  $M$  (See Figure 30). Next, the DCO slowly transitions to a historical average frequency value supplied to the DSPLL,  $M_{\text{HIST}}$ , as shown in Figure 30. Values of  $M$  starting from time  $t = -(HIST\_DEL + HIST\_AVG)$  and ending at  $t = -HIST\_DEL$  are averaged to compute  $M_{\text{HIST}}$ . This historical average frequency value is taken from an internal memory location that keeps a record of previous  $M$  values supplied to the DCO. By using a historical average frequency, input clock phase and frequency transients that may occur immediately preceding digital hold do not affect the digital hold frequency. Also, noise related to input clock jitter or internal PLL jitter is minimized.



**Figure 30. Parameters in History Value of M**

The history delay can be set via the  $HIST\_DEL[4:0]$  register bits as shown in Table 42 and the history averaging time can be set via the  $HIST\_AVG[4:0]$  register bits as shown in Table 43. The  $DIGHOLDVALID$  register can be used to determine if the information in  $HIST\_AVG$  is valid and the device can enter SONET/SDH compliant digital hold. If  $DIGHOLDVALID$  is not active, the part will enter VCO freeze instead of digital hold.

**Table 42. Digital Hold History Delay**

<b><i>HIST_DEL</i>[4:0]</b>	<b>History Delay Time (ms)</b>
00000	0.0001
00001	0.0002
00010	0.0004
00011	0.0008
00100	0.0016
00101	0.0032
00110	0.0064
00111	0.01
01000	0.03
01001	0.05
01010	0.10
01011	0.20
01100	0.41
01101	0.82
01110	1.64
01111	3.28

<b><i>HIST_DEL</i>[4:0]</b>	<b>History Delay Time (ms)</b>
10000	6.55
10001	13
<b>10010 (default)</b>	<b>26</b>
10011	52
10100	105
10101	210
10110	419
10111	839
11000	1678
11001	3355
11010	6711
11011	13422
11100	26844
11101	53687
11110	107374
11111	214748

**Table 43. Digital Hold History Averaging Time**

<b><i>HIST_AVG</i>[4:0]</b>	<b>History Averaging Time (ms)</b>
00000	0.0000
00001	0.0004
00010	0.001
00011	0.003
00100	0.006
00101	0.012
00110	0.03
00111	0.05
01000	0.10
01001	0.20
01010	0.41
01011	0.82
01100	1.64
01101	3.28
01110	6.55
01111	13

<b><i>HIST_AVG</i>[4:0]</b>	<b>History Averaging Time (ms)</b>
10000	26
10001	52
10010	105
10011	210
10100	419
10101	839
10110	1678
10111	3355
<b>11000 (default)</b>	<b>6711</b>
11001	13422
11010	26844
11011	53687
11100	107374
11101	214748
11110	429497
11111	858993

If a highly stable reference, such as an oven-controlled crystal oscillator (OCXO) is supplied at XA/XB, an extremely stable digital hold can be achieved. If a crystal is supplied at the XA/XB port, the digital hold stability will be limited by the stability of the crystal.



### 7.6.2. History Settings for Low Bandwidth Devices (Si5324, Si5327, Si5369, Si5374)

Because of the extraordinarily low loop bandwidth of the Si5324, Si5369 and Si5374, it is recommended that the values for both history registers be increased for longer histories.

### 7.6.3. Recovery from Digital Hold (Si5319, Si5324, Si5326, Si5327, Si5368, Si5369, Si5374)

When the input clock signal returns, the device transitions from digital hold to the selected input clock. The device performs hitless recovery from digital hold. The clock transition from digital hold to the returned input clock includes “phase buildout” to absorb the phase difference between the digital hold clock phase and the input clock phase.

### 7.6.4. VCO Freeze (Si5319, Si5325, Si5367, Si5375)

If an LOS or FOS condition exists on the selected input clock, the device enters VCO freeze. In this mode, the device provides a stable output frequency until the input clock returns and is validated. When the device enters digital hold, the internal oscillator is initially held to the frequency value at roughly one second prior to the leading edge of the alarm condition. VCO freeze is not compliant with SONET/SDH MTIE requirements; applications requiring SONET/SDH MTIE requirements should use the Si5324, Si5326, Si5368, Si5369 or Si5374. Unlike the Si5325 and Si5367, the Si5319’s VCO freeze is controlled by the XA/XB reference (which is typically a crystal) resulting in greater stability. For the Si5319, Si5327, and Si5375, VCO freeze is similar to the Digital Hold function of the Si5326, Si5368, and Si5369 except that the *HIST\_AVG* and *HIST\_DEL* registers do not exist.

### 7.6.5. Digital Hold versus VCO Freeze

Figure 31 below is an illustration of the difference in behavior between Digital Hold and VCO Freeze.

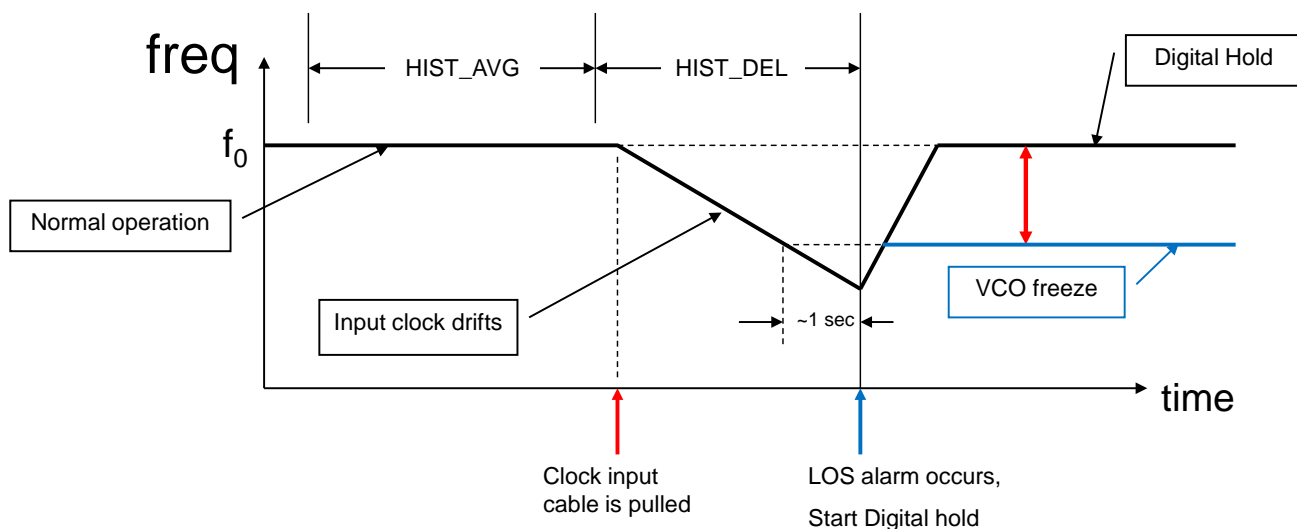


Figure 31. Digital Hold vs. VCO Freeze Example

## 7.7. Output Phase Adjust (Si5326, Si5368)

The device has a highly accurate, digitally controlled device skew capability. For more information on Output Phase Adjustments, see both DSPLLsim and the respective data sheets. Both can be downloaded by going to [www.silabs.com/timing](http://www.silabs.com/timing) and clicking on "Documentation" at the bottom of the page.

### 7.7.1. Coarse Skew Control (Si5326, Si5368)

With the *INCDEC\_PIN* register bit set to 0 (pin control off), overall device skew is controlled via the *CLAT*[7:0] register bits. This skew control has a resolution of  $1/f_{OSC}$ , approximately 200 ps, and a range from -25.6 to 25.4 ns. Following a powerup or reset (*RST* pin or *RST\_REG* register bit), the skew will revert to the reset value. Any further changes made in the skew register will be read and compared to the previously held value. The difference will be calculated and applied to the clock outputs. All skew changes are made in a glitch-free fashion.

When a phase adjustment is in progress, any new *CLAT*[7:0] values are ignored until the update is complete. The *CLATPROG* register bit is set to 1 during a coarse skew adjustment. The time for an adjustment to complete is dependent on bandwidth and the delta value in *CLAT*. To verify a written value into *CLAT*, the *CLAT* register should be read after the register is written. The time that it takes for the effects of a *CLAT* change to complete is proportional to the size of the change, at 83 msec for every unit change, assuming the lowest available loop bandwidth was selected. For example, if *CLAT* is zero and has the value 100 written to it, the changes will complete in

$$100 \times 83 \text{ msec} = 8.3 \text{ sec.}$$

If it is necessary to set the high-speed output clock divider *N1\_HS* to divide-by-4 in order to achieve the desired overall multiplication ratio and output frequency, only phase increments are allowed and negative settings in the *CLAT* register or attempts to decrement the phase via writes to the *CLAT* register will be ignored. Because of this restriction, when there is a choice between using *N1\_HS* = 4 and another *N1\_HS* value that can produce the desired multiplication ratio, the other *N1\_HS* value should be selected. This restriction also applies when using the *INC* pin.

With the *INCDEC\_PIN* register bit set to 1 (pin control on), the *INC* and *DEC* pins function the same as they do for pin controlled parts. See "6.6. Output Phase Adjust (Si5323, Si5366)" on page 71.

#### 7.7.1.1. Unlimited Coarse Skew Adjustment (Si5326, Si5368)

Using the following procedure, the *CLAT* register can be used to adjust the device clock output phase to an arbitrarily large value that is not limited by the size of the *CLAT* register:

1. Write a phase adjustment value to the *CLAT* register (Register 16). The DSPLLsim configuration software provides the size of a single step.
2. Wait until *CLATPROGRESS* = 0 (register 130, bit 7), which indicates that the adjustment is complete (Maximum time for adjustment: 20 seconds for the Si5326 or Si5368).
3. Set *INCDEC\_PIN* = 1 (Register 21, bit 7).
4. Write 0 to *CLAT* register (Register 16).
5. Wait until *CLATPROGRESS* = 0.
6. Set *INCDEC\_PIN* = 0.
7. Repeat the above process as many times as desired.

Steps 3-6 will clear the *CLAT* register without changing the output phase. This allows for unlimited output clock phase adjustment using the *CLAT* register and repeating steps 1-3 as many times as needed.

**Note:** The *INC* and *DEC* pins must stay low during this process.

### 7.7.2. Fine Skew Control (Si5326, Si5368)

An additional fine adjustment of the overall device skew can be used in conjunction with the *INC* and *DEC* pins or the *CLAT*[7:0] register bits to provide finer resolution output phase adjustments. Fine phase adjustment is available using the *FLAT*[14:0] bits. The nominal range and resolution of the *FLAT*[14:0] skew adjustment word are:

Range *FLAT* = ±110 ps

Resolution *FLAT* = 9 ps

Before writing a new  $FLAT[14:0]$  value, the  $FLAT\_VALID$  bit must be set to 0 to hold the existing  $FLAT[14:0]$  value while the new value is being written. Once the new value is written, set  $FLAT\_VALID = 1$  to enable its use.

To verify a written value into  $FLAT$ , the  $FLAT$  register should be read after the register is written.

Because the  $FLAT$  resolution varies with the frequency plan and selected bandwidth,  $DSPLLsim$  reports the  $FLAT$  resolution each time it creates a new frequency plan.

#### 7.7.2.1. Output Phase Adjust (Si5324, Si5327, Si5369, Si5374)

Because of its very low loop bandwidth, the output phase of the Si5324, Si5327, Si5369, and Si5374 are not adjustable. This means that the Si5324, Si5327, Si5369, and Si5374 do not have any INC or DEC pins and that they do not have CLAT or FLAT registers.

#### 7.7.3. Independent Skew (Si5324, Si5326, Si5368, Si5369, Si5374)

The phase of each clock output may be adjusted in relation to the phase of the other clock outputs, respectively. This feature is available when  $CK\_CONFIG\_REG = 0$ . The resolution of the phase adjustment is equal to  $[N1\_HS / F_{VCO}]$ . Since  $F_{VCO}$  is approximately 5 GHz and  $N1\_HS = (4, 5, 6, \dots, 11)$ , the resolution varies from approximately 800 ps to 2.2 ns depending on the PLL divider settings. Silicon Laboratories' PC-based configuration software ( $DSPLLsim$ ) provides PLL divider settings for each frequency translation, if applicable. If more than one set of PLL divider settings is available, selecting the combination with the lowest  $N1\_HS$  value provides the finest resolution for output clock phase offset control. The  $INDEPENDENTSKEW_n[7:0]$  ( $n = 1$  to 5) register bits control the phase of the device output clocks. By programming a different phase offset for each output clock, output-to-output delays can easily be set.

#### 7.7.4. Output-to-output Skew (Si5324, Si5326, Si5327, Si5368, Si5369, Si5374)

The output-to-output skew is guaranteed to be preserved only if the following two register bits are both high:

Register Bit:	Location
$CKOUT\_ALWAYS\_ON$	addr 0, bit 5
$SQICAL$	addr 3, bit 4

In addition, if  $SFOUT$  is changed, the output-to-output skew may be disturbed until after a successful ICAL.

**Note:**  $CKOUT5$  phase is random unless it is used for Frame Sync (See section 7.8).

#### 7.7.5. Input-to-Output Skew (All Devices)

The input-to-output skew for these devices is not controlled.

### 7.8. Frame Synchronization Realignment (Si5368 and $CK\_CONFIG\_REG = 1$ )

Frame Synchronization Realignment is selected by setting  $CK\_CONFIG\_REG = 1$ . In a typical frame synchronization application,  $CKIN1$  and  $CKIN2$  are high-speed input clocks from primary and secondary clock generation cards and  $CKIN3$  and  $CKIN4$  are their associated primary and secondary frame synchronization signals. The device generates four output clocks and a frame sync output  $FS\_OUT$ .  $CKIN3$  and  $CKIN4$  control the phase of  $FS\_OUT$ . When  $CK\_CONFIG\_REG = 1$ , the Si5368 can lock onto only  $CKIN1$  or  $CKIN2$ .  $CKIN3$  and  $CKIN4$  are used only for purposes of frame synchronization.

The inputs supplied to  $CKIN3$  and  $CKIN4$  can range from 2 to 512 kHz. So that two different frame sync input frequencies can be accommodated,  $CKIN3$  and  $CKIN4$  each have their own input dividers, as shown in Figure 32. The  $CKIN3$  and  $CKIN4$  frequencies are set by the  $CKIN3RATE[2:0]$  and  $CKIN4RATE[2:0]$  register bits, as shown in Table 44. The frequency of  $FS\_OUT$  can range from 2 kHz to 710 MHz and is set using the  $NC5\_LS$  divider setting.  $FS\_OUT$  must divide evenly into  $CKOUT2$ . For example, if  $CKOUT2$  is 156.25 MHz, then 8 kHz would not be an acceptable frame rate because  $156.25 \text{ MHz} / 8 \text{ kHz} = 19,531.25$ , which is not an integer. However, 2 kHz would be an acceptable frame rate because  $156.25 \text{ MHz} / 2 \text{ kHz} = 78,125$ .

Table 44. CKIN3/CKIN4 Frequency Selection (CK\_CONF = 1)

<u>CKLNnRATE</u> [2:0]	CKINn Frequency (kHz)	Divisor
000	2–4	1
001	4–8	2
010	8–16	4
011	16–32	8
100	32–64	16
101	64–128	32
110	128–256	64
111	256–512	128

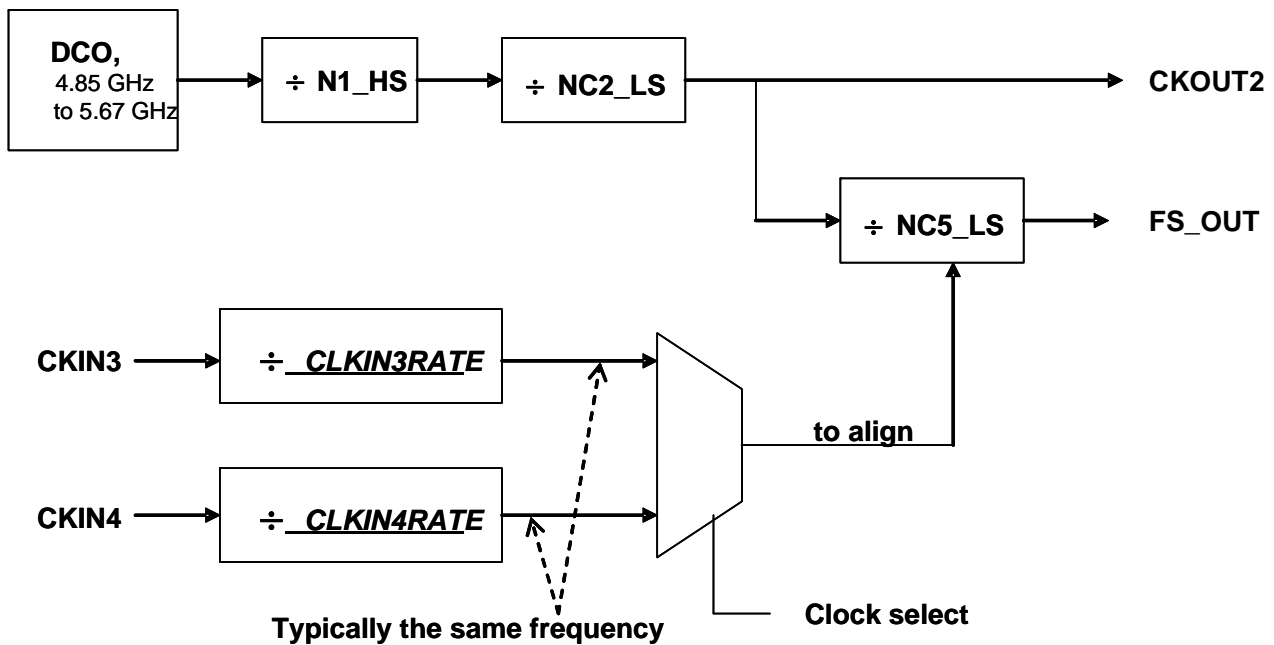


Figure 32. Frame Sync Frequencies

The *NC5\_LS* divider uses *CKOUT2* as its clock input to derive *FS\_OUT*. The limits for the *NC5\_LS* divider are  $NC5\_LS = [1, 2, 4, 6, \dots, 2^{19}]$

$$f_{CKOUT2} < 710 \text{ MHz}$$

Note that when in frame synchronization realignment mode, writes to *NC5\_LS* are controlled by *FPW\_VALID*. See section “7.8.4. *FS\_OUT* Polarity and Pulse Width Control (Si5368)”.

Common *NC5\_LS* divider settings on *FS\_OUT* are shown in Table 45.

**Table 45. Common NC5 Divider Settings**

CKOUT2 Frequency (MHz)	NC5 Divider Setting	
	2 kHz FS_OUT	8 kHz FS_OUT
19.44	9720	2430
77.76	38880	9720
155.52	77760	19440
622.08	311040	77760

### 7.8.1. FSYNC Realignment (Si5368)

The *FSYNC\_ALIGN\_PIN* bit determines if the realignment will be pin-controlled via the *FS\_ALIGN* pin or register-controlled via the *FSYNC\_ALIGN\_REG* register bit. The active *CKIN3* or *CKIN4* edge to be used is controlled via the *FSYNC\_POL* register bit.

In either *FSYNC* alignment control mode, the resolution of the phase realignment is 1 clock cycle of *CKOUT2*. If the realignment control is not active, the *NC5* divider will continuously divide down its *f<sub>CKOUT2</sub>* input. This guarantees a fixed number of high-frequency clock (*CKOUT2*) cycles between each *FS\_OUT* cycle.

At power-up, the device automatically performs a realignment of *FS\_OUT* using the currently active sync input. After this, as long as the PLL remains in lock and a realignment is not requested, *FS\_OUT* will include a fixed number of high-speed clock cycles, even if input clock switches are performed. If many clock switches are performed in phase build-out mode, it is possible that the input sync to output sync phase relationship will shift due to the accumulated residual phase transients of the phase build-out circuitry. The *ALIGN\_ERR*[8:0] status register reports the deviation of the input-to-output sync phase skew from the desired *FSYNC\_SKEW*[16:0] value in units of *f<sub>CKOUT2</sub>* periods. A programmable threshold to trigger the *ALIGN\_INT* alarm can be set via the *ALIGN\_THR*[2:0] bits, whose settings are given in Table 46. If the sync alignment error exceeds the threshold in either the positive or negative direction, the alarm becomes active. If it is then desired to reestablish the desired input-to-output sync phase relationship, a realignment can be performed. A realignment request may cause *FS\_OUT* to instantaneously shift its output edge location in order to align with the active input sync phase.

**Table 46. Alignment Alarm Trigger Threshold**

<i>ALIGN_THR</i> [2:0]	Alarm Trigger Threshold (Units of <i>T<sub>CKOUT2</sub></i> )
000	4
001	8
010	16
011	32
100	48
101	64
110	96
111	128

For cases where phase skew is required, see Section “7.7. Output Phase Adjust (Si5326, Si5368)” for more details on controlling the sync input to sync output phase skew via the *FSYNC\_SKEW*[16:0] bits. See Section “8.2. Output Clock Drivers” for information on the FS\_OUT signal format, pulse width, and active logic level control.

## 7.8.2. FSYNC Skew Control (Si5368)

When CKIN3 and CKIN4 are configured as frame sync inputs (*CK\_CONFIG\_REG* = 1), phase skew of the sync input active edge to FS\_OUT active edge is controllable via the *FSYNC\_SKEW*[16:0] register bits. Skew control has a resolution of  $1/f_{CKOUT2}$  and a range of  $131,071/f_{CKOUT2}$ . The entered skew value must be less than the period of CKIN3, CKIN4, and FS\_OUT.

The skew should not be changed more than once per FS\_OUT period. If a FSYNC realignment is being made, the skew should not be changed until the realignment is complete. The skew value and the FS\_OUT pulse width should not be changed within the same FS\_OUT period.

Before writing the three bytes needed to specify a new *FSYNC\_SKEW*[16:0] value, the user should set the register bit *FSKEW\_VALID* = 0. This causes the alignment state machine to keep using the previous *FSYNC\_SKEW*[16:0] value, ignoring the new register values as they are being written. Once the new *FSYNC\_SKEW*[16:0] value has been completely written, the user should set *FSKEW\_VALID* = 1 at which time the alignment state machine will read the new skew alignment value. Note that when the new *FSYNC\_SKEW*[16:0] value is used, a phase step will occur in FS\_OUT.

## 7.8.3. Including FSYNC Inputs in Clock Selection (Si5368)

The frame sync inputs, CKIN3 and CKIN4, are both monitored for loss-of-signal (*LOS3\_INT* and *LOS4\_INT*) conditions. To include these LOS alarms in the input clock selection algorithm, set *FSYNC\_SWITCH\_REG* = 1. The *LOS3\_INT* is logically ORed with *LOS1\_INT* and *LOS4\_INT* is ORed with *LOS2\_INT* as inputs to the clock selection state machine. If it is desired not to include these alarms in the clock selection algorithm, set *FSYNC\_SWITCH\_REG* = 0. The frequency offset (FOS) alarms for CKIN1 and CKIN2 can also be included in the state machine decision making as described in Section “7.11. Alarms (Si5319, Si5324, Si5325, Si5326, Si5327, Si5367, Si5368, Si5369, Si5374, Si5375)”; however, in frame sync mode (*CK\_CONFIG\_REG* = 1), the FOS alarms for CKIN3 and CKIN4 are ignored.

## 7.8.4. FS\_OUT Polarity and Pulse Width Control (Si5368)

Additional output controls are available for FS\_OUT. The active polarity of FS\_OUT is set via the *FS\_OUT\_POL* register bit and the active duty cycle is set via the *FSYNC\_PW*[9:0] register. Pulse width settings have a resolution of  $1/f_{CKOUT2}$ , and a 50% duty cycle setting is provided. Pulse width settings can range from 1 to (NC5-1) CKOUT2 periods, providing the full range of pulse width possibilities for a given NC5 divider setting.

The FS\_OUT pulse should not be changed more than once per FS\_OUT period. If a FSYNC realignment is being made, the pulse width should not be changed until the realignment is complete. The FS\_OUT pulse width and the skew value should not be changed within the same FS\_OUT period.

Before writing a new value into *FSYNC\_PW*[9:0], the user should set the register bit *FPW\_VALID* = 0. This causes the FS\_OUT pulse width state machine to keep using the previous *FSYNC\_PW*[9:0] value, ignoring the new register values as they are being written. Once the new *FSYNC\_PW*[9:0] value has been completely written, the user should set *FPW\_VALID* = 1, at which time the FS\_OUT pulse width state machine will read the new pulse width value.

Writes to *NC5\_LS* should be treated the same as writes to *FSYNC\_PW*. Thus, all writes to *NC5\_LS* should occur only when *FPW\_VALID* = 0. Any such writes will not take effect until *FPW\_VALID* = 1.

Note that  $f_{CKOUT2}$  must be less than or equal to 710 MHz when *CK\_CONFIG\_REG* = 1; otherwise, the FS\_OUT buffer and NC5 divider must be disabled.

## 7.8.5. Using FS\_OUT as a Fifth Output Clock (Si5368)

In applications where the frame synchronization functionality is not needed (*CK\_CONFIG\_REG* = 0), FS\_OUT can be used as a fifth clock output. In this case, no realignment requests should be made to the NC5 divider (hold *FS\_ALIGN* = 0 and *FSYNC\_ALIGN\_REG* = 0). Output pulse width and polarity controls for FS\_OUT are still available as described above. The 50% duty cycle setting would be used to generate a typical balanced output clock.

## 7.9. Output Clock Drivers (Si5319, Si5324, Si5325, Si5326, Si5327, Si5367, Si5368, Si5369, Si5374, Si5375)

The device includes a flexible output driver structure that can drive a variety of loads, including LVPECL, LVDS, CML, and CMOS formats. The signal format of each output is individually configurable through the *SFOUTn\_REG[2:0]* register bits, which modify the output common mode and differential signal swing.

Table 47 shows the signal formats based on the supply voltage and the type of load being driven. For the CMOS setting, both output pins drive single-ended in-phase signals and should be externally shorted together to obtain the maximum drive strength.

**Table 47. Output Signal Format Selection**

<i>SFOUTn_REG[2:0]</i>	Signal Format
111	LVDS
110	CML
101	LVPECL
011	Low-swing LVDS
010	CMOS
000	Disabled
All Others	Reserved

The *SFOUTn\_REG[2:0]* register bits can also be used to disable the outputs. Disabling the outputs puts the CKOUT+ and CKOUT– pins in a high-impedance state relative to  $V_{DD}$  (common mode tri-state) while the two outputs remain connected to each other through a 200  $\Omega$  on-chip resistance (differential impedance of 200  $\Omega$ ). The clock output buffers and DSPLL output dividers NCn are powered down in disable mode.

The additional functions of “Hold Logic 1” and “Hold Logic 0”, which create static logic levels at the outputs, are available. For differential output buffer formats, the Hold Logic 1 state causes the positive output of the differential signal to remain at its high logic level while the negative output remains at the low logic level. For CMOS output buffer format, both outputs remain high during the Hold Logic 1 state. These functions are controlled by the *HLOG\_n* bits. When entering or exiting the “Hold Logic 1” or “Hold Logic 0” states, no glitches or runt pulses are generated on the outputs. Changes to SFOUT or HLOG will change the output phase. An ICAL is required to re-establish the output phase. When SFOUT = 010 for CMOS, bypass mode is not supported.

### 7.9.1. Disabling CKOUTn

Disabling CKOUTn output powers down the output buffer and output divider. Individual disable controls are available for each output using the *DSBLn\_REG*.

### 7.9.2. LVPECL TQFP Output Signal Format Restrictions at 3.3 V (Si5367, Si5368, Si5369)

The LVPECL and CMOS output formats draw more current than either LVDS or CML; therefore, there are restrictions in the allowed output format pin settings that limit the maximum power dissipation for the TQFP devices when they are operated at 3.3 V. When  $V_{dd} = 3.3$  V and there are four enabled LVPECL or CMOS outputs, the fifth output must be disabled. When  $V_{dd} = 3.3$  V and there are five enabled outputs, there can be no more than three outputs that are either LVPECL or CMOS. All other configurations are valid, including all with  $V_{dd} = 2.5$  V.

## 7.10. PLL Bypass Mode (Si5319, Si5324, Si5325, Si5326, Si5327, Si5367, Si5368, Si5369, Si5374, Si5375)

The device supports a PLL bypass mode in which the selected input clock is fed directly to the output buffers, bypassing the DSPLL. In PLL bypass mode, the input and output clocks will be at the same frequency. PLL bypass mode is useful in a laboratory environment to measure system performance with and without the jitter attenuation provided by the DSPLL. The *BYPASS\_REG* bit controls enabling/disabling PLL bypass mode.

Before going into bypass mode, it is recommended that the part enter Digital Hold by setting *DHOLD*. Internally, the bypass path is implemented with high-speed differential signaling for low jitter. Note that the CMOS output format does not support bypass mode.

## 7.11. Alarms (Si5319, Si5324, Si5325, Si5326, Si5327, Si5367, Si5368, Si5369, Si5374, Si5375)

Summary alarms are available to indicate the overall status of the input signals and frame alignment (Si5368 only). Alarm outputs stay high until all the alarm conditions for that alarm output are cleared. The Register *VALTIME* controls how long a valid signal is re-applied before an alarm clears. Table 48 shows the available settings. Note that only for *VALTIME*[1:0] = 00, hitless switching is not possible.

**Table 48. Loss-of-Signal Validation Times**

<i>VALTIME</i> [1:0]	Clock Validation Time
00	2 ms (hitless switching not available)
01	100 ms
10	200 ms
11	13 s

### 7.11.1. Loss-of-Signal Alarms (Si5319, Si5324, Si5325, Si5326, Si5327, Si5367, Si5368, Si5369, Si5374, Si5375)

The device has loss-of-signal circuitry that continuously monitors CKINn for missing pulses. The LOS circuitry generates an internal *LOS<sub>n</sub>\_INT* output signal that is processed with other alarms to generate CnB and ALARMOUT.

An LOS condition on CKIN1 causes the internal *LOS<sub>1</sub>\_INT* alarm become active. Similarly, an LOS condition on CKINn causes the *LOS<sub>n</sub>\_INT* alarm become active. Once a *LOS<sub>n</sub>\_INT* alarm is asserted on one of the input clocks, it remains asserted until that input clock is validated over a designated time period. If another error condition on the same input clock is detected during the validation time then the alarm remains asserted and the validation time starts over.

#### 7.11.1.1. Narrowband LOS Algorithms (Si5319, Si5324, Si5326, Si5327, Si5368, Si5369, Si5374, Si5375)

There are three options for LOS: LOS, LOS\_A, and no LOS, which are selected using the *LOS<sub>n</sub>\_EN* registers. The values for the *LOS<sub>n</sub>\_EN* registers are given in Table 49.

**Table 49. Loss-of-Signal Registers**

<i>LOS<sub>n</sub>_EN</i> [1:0]	LOS Selection
00	Disable all LOS monitoring
01	Reserved
10	LOS_A enabled
11	LOS enabled



## 7.11.1.2. Standard LOS (Si5319, Si5324, Si5326, Si5327, Si5368, Si5369, Si5374, Si5375)

To facilitate automatic hitless switching, the LOS trigger time can be significantly reduced by using the default LOS option ( $LOS_n\_EN = 11$ ). The LOS circuitry divides down each input clock to produce a 2 kHz to 2 MHz signal. The LOS circuitry over samples this divided down input clock using a 40 MHz clock to search for extended periods of time without input clock transitions. If the LOS monitor detects twice the normal number of samples without a clock edge, an LOS alarm is declared. The  $LOS_n$  trigger window is based on the value of the input divider  $N3$ . The value of  $N3$  is reported by  $DSPLLsim$ .

The range over which LOS is guaranteed to not produce false positive assertions is 100 ppm. For example, if a device is locked to an input clock on CKIN1, the frequency of CKIN2 should differ by no more than 100 ppm to avoid false LOS2 assertions.

The frequency range over which FOS monitoring may occur is from 10 to 710 MHz.

## 7.11.1.3. LOSA (Si5319, Si5324, Si5326, Si5327, Si5368, Si5369, Si5374, Si5375)

A slower response version of LOS called LOSA is available and should be used under certain conditions. Because LOSA is slower and less sensitive than LOS, its use should be considered for applications with quasi-periodic clocks (e.g., gapped clocks with one or more consecutive clock edges removed), when switching between input clocks with a large difference in frequency and any other application where false positive assertions of LOS may incorrectly cause the Any-Frequency device to be forced into Digital Hold.

For example, it is recommended that while in Free Run Mode LOSA be used instead of LOS because the two clock inputs will not be the same exact frequency. This will avoid false LOS assertions when the XA/XB frequency differs from the other clock inputs by more than 100 ppm. See Section 7.11.1.3 for more information on LOSA.

## 7.11.1.4. LOS disabled (Si5319, Si5324, Si5326, Si5327, Si5368, Si5369, Si5374, Si5375)

For situations where no form of LOS is desired, LOS can be disabled by writing 00 to  $LOS_n\_EN$ . This mode is provided to support applications which implement custom LOS algorithms off-chip. If this approach is taken, the only remaining methods of entering Digital Hold will be FOS or by setting  $DHOLD$  (register 3, bit 5).

## 7.11.1.5. Wideband LOS Algorithm (Si5322, Si5365)

Each input clock is divided down to produce a 78 kHz to 1.2 MHz signal before entering the LOS monitoring circuitry. The same LOS algorithm as described in the above section is then used. FOS is not available in wideband devices.

## 7.11.1.6. LOS Alarm Outputs (Si5319, Si5324, Si5325, Si5326, Si5327, Si5367, Si5369, Si5374, Si5375)

When LOS is enabled, an LOS condition on CKIN1 causes  $LOS1\_INT$  to become active. Similarly, when LOS is enabled, an LOS condition on CKIN2 causes  $LOS2\_INT$  to become active. Once a  $LOS_n\_INT$  alarm is asserted on one of the input clocks, it remains asserted until the input clock is validated over a designated time period. If another error condition on the same input clock is detected during the validation time then the alarm remains asserted and the validation time starts over.

## 7.11.2. FOS Algorithm (Si5324, Si5325, Si5326, Si5368, Si5369, Si5374)

The frequency offset (FOS) alarms indicate if the input clocks are within a specified frequency range relative to the frequency of a reference clock. The reference clock can be provided by any of the four input clocks (two for Si5324, Si5325 or Si5326) or the XA/XB input. The default FOS reference is CKIN2. The frequency monitoring circuitry compares the frequency of the input clock(s) with the FOS reference clock. If the frequency offset of an input clock exceeds a selected frequency offset threshold, an FOS alarm ( $FOS\_INT$  register bit) is declared for that clock input. Be aware that large amounts of wander can cause false FOS alarms.

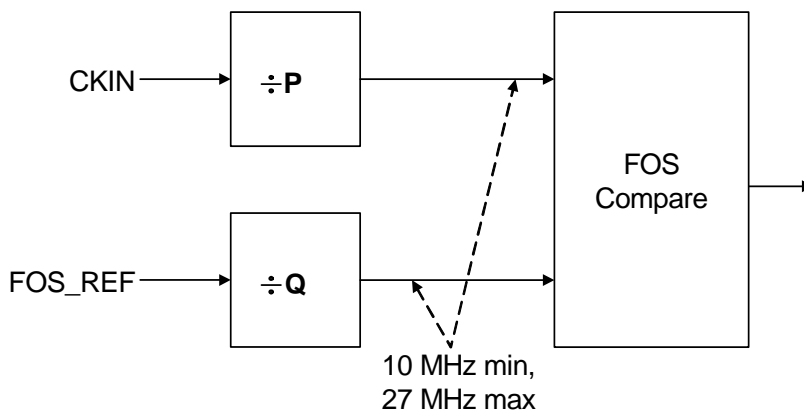
**Note:** For the Si5368, If  $CK\_CONFIG\_REG = 1$ , only CKIN1 and CKIN2 are monitored; CKIN3 and CKIN4 are used for FSYNC and are not monitored.

The frequency offset threshold is selectable using the  $FOS\_THR[1:0]$  bits. Settings are available for compatibility with SONET Minimum Clock (SCMD) or Stratum 3/3E requirements. See Table 8 on page 40. The device supports FOS hystereses per GR-1244-CORE, making the device less susceptible to FOS alarm chattering. A reference clock with suitable accuracy and drift specifications to support the intended application should be used. The FOS reference clock is set via the  $FOSREFSEL[2:0]$  bits as shown in Table 50. More than one input can be monitored against the FOS reference, i.e., there can be more than one monitored clock, but only one FOS reference. When the XA/XB input is used as the FOS reference, there is only one reference frequency band that is allowed: from 37 MHz to 41 MHz.

**Table 50. FOS Reference Clock Selection**

FOS Reference		
<i>FOSREFSEL</i> [2:0]	Si5326	Si5368
000	XA/XB	XA/XB
001	CKIN1	CKIN1
010	CKIN2 (default)	CKIN2 (default)
011	Reserved	CKIN3
100	Reserved	CKIN4
all others	Reserved	Reserved

Both the FOS reference and the FOS monitored clock must be divided down to the same clock rate and this clock rate must be between 10 MHz and 27 MHz. As can be seen in Figure 33, the values for P and Q must be selected so that the FOS comparison occurs at the same frequency. The registers that contain the values for P and Q are the *CKINnRATE*[2:0] registers.



**Figure 33. FOS Compare**

The frequency band of each input clock must be specified to use the FOS feature. The *CLKnRATE* registers specify the frequency of the device input clocks as shown in Table 51.

When the FOS reference is the XA/XB oscillator (either internal or external), the value of Q in Figure 33 is always 2, for an effective *CLKINnRATE* of 1, as shown in Table 51.

**Table 51. CLKnRATE Registers**

<u>CLKnRATE</u>	Divisor, P or Q	Min Frequency, MHz	Max Frequency, MHz
0	1	10	27
1	2	25	54
2	4	50	105
3	8	95	215
4	16	190	435
5	32	375	710

For example, to monitor a 544 MHz clock at CKIN1 with a FOS reference of 34 MHz at CKIN2:

CLK1RATE = 5

CLK2RATE = 1

FOSREFSEL[2:0] = 010

**7.11.3. C1B, C2B (Si5319, Si5324, Si5325, Si5326, Si5327, Si5374, Si5375)**

A LOS condition causes the associated *LOS1\_INT* or *LOS2\_INT* read only register bit to be set. A LOS condition on *CKIN\_1* will also be reflected onto C1B if *CK1\_BAD\_PIN* = 1. Likewise, a LOS condition on *CKIN\_2* will also be reflected onto C2B if *CK2\_BAD\_PIN* = 1.

A FOS condition causes the associated *FOS1\_INT* or *FOS2\_INT* read only register bit to be set. FOS monitoring is enabled or disabled using the *FOS\_EN* bit. If FOS is enabled (*FOS\_EN* = 1) and *CK1\_BAD\_PIN* = 1, a FOS condition will also be reflected onto its associated output pin, C1B or C2B. If FOS is disabled (*FOS\_EN* = 0), the *FOS1\_INT* and *FOS2\_INT* register bits do not affect the C1B and C2B alarm outputs, respectively.

Once an LOS or FOS alarm is asserted on one of the input clocks, it is held high until the input clock is validated over a designated time period. The validation time is programmable via the *VALTIME*[1:0] register bits as shown in Table 48 on page 96. If another error condition on the same input clock is detected during the validation time then the alarm remains asserted and the validation time starts over.

[Si5326]: Note that hitless switching between input clocks applies only when the input clock validation time *VALTIME*[1:0] = 01 or higher.

**7.11.4. LOS (Si5319, Si5375)**

A LOS condition causes the *LOS\_INT* read only register bit to be set. This LOS condition will also be reflected onto the *INT\_CB* pin.

**7.11.5. C1B, C2B, C3B, ALRMOUT (Si5367, Si5368, Si5369 [CK\_CONFIG\_REG = 0])**

The generation of alarms on the C1B, C2B, C3B, and ALRMOUT outputs is a function of the input clock configuration, and the frequency offset alarm enable as shown in Table 52. The *LOS<sub>n</sub>\_INT* and *FOS<sub>n</sub>\_INT* signals are the raw outputs of the alarm monitors. These appear directly in the device status registers. Sticky versions of these bits (*LOS<sub>n</sub>\_FLG*, *FOS<sub>n</sub>\_FLG*) drive the output interrupt and can be individually masked. When the device inputs are configured as four input clocks (*CK\_CONFIG* = 0), the ALRMOUT pin reflects the status of the *CKIN4* input. The equations below assume that the output alarm is active high; however, the active polarity is selectable via the *CK\_BAD\_POL* bit.

Operation of the C1B, C2B, C3B, and ALRMOUT pins is enabled based on setting the *C1B\_PIN*, *C2B\_PIN*, *C3B\_PIN*, and *ALRMOUT\_PIN* register bits. Otherwise, the pin will tri-state. Also, if *INT\_PIN* = 1, the interrupt functionality will override the appearance of ALRMOUT at the output even if *ALRMOUT\_PIN* = 1.

Once an LOS or FOS alarm is asserted for one of the input clocks, it is held high until the input clock is validated over a designated time period. The validation time is programmable via the *VALTIME*[1:0] register bits as shown in Table 48 on page 96. If another error condition on the same input clock is detected during the validation time then the alarm remains asserted and the validation time starts over.

Note that hitless switching between input clocks applies only when the input clock validation time *VALTIME*[1:0] = 01 or higher.

For details, see "Appendix D—Alarm Structure" on page 144.

**Table 52. Alarm Output Logic Equations (Si5367, Si5368, and Si5369 [CONFIG\_REG = 0])**

<b><i>FOS_EN</i></b>	<b>Alarm Output Equations</b>
0 (Disables FOS)	$C1B = LOS1\_INT$ $C2B = LOS2\_INT$ $C3B = LOS3\_INT$ $ALRMOUT = LOS4\_INT$
1	$C1B = LOS1\_INT \text{ or } FOS1\_INT$ $C2B = LOS2\_INT \text{ or } FOS2\_INT$ $C3B = LOS3\_INT \text{ or } FOS3\_INT$ $ALRMOUT = LOS4\_INT \text{ or } FOS4\_INT$

## 7.11.6. C1B, C2B, C3B, ALRMOUT (Si5368 [CK\_CONFIG\_REG = 1])

The generation of alarms on the C1B, C2B, C3B, and ALRMOUT outputs is a function of the input clock configuration, and the frequency offset alarm enable as shown in Table 53. The *LOS<sub>n</sub>\_INT* and *FOS<sub>n</sub>\_INT* signals are the raw outputs of the alarm monitors. These appear directly in the device status registers. Sticky versions of these bits (*LOS<sub>n</sub>\_FLG*, *FOS<sub>n</sub>\_FLG*) drive the output interrupt and can be individually masked. Since, CKIN3 and CKIN4 are configured as frame sync inputs (*CK\_CONFIG\_REG* = 1), ALRMOUT functions as the alignment alarm output (*ALIGN\_INT*) as described in Section “7.8. Frame Synchronization Realignment (Si5368 and *CK\_CONFIG\_REG* = 1)”. The equations below assume that the output alarm is active high; however, the active polarity is selectable via the *CK\_BAD\_POL* bit.

Operation of the C1B, C2B, C3B, and ALRMOUT pins is enabled based on setting the *C1B\_PIN*, *C2B\_PIN*, *C3B\_PIN*, and *ALRMOUT\_PIN* register bits. Otherwise, the pin will tri-state. Also, if *INT\_PIN* = 1, the interrupt functionality will override the appearance of ALRMOUT at the output even if *ALRMOUT\_PIN* = 1.

Once an LOS or FOS alarm is asserted for one of the input clocks, it is held high until the input clock is validated over a designated time period. The validation time is programmable via the *VALTIME*[1:0] register bits as shown in Table 8, “AC Characteristics—All Devices”. If another error condition on the same input clock is detected during the validation time then the alarm remains asserted and the validation time starts over.

Note that hitless switching between input clocks applies only when the input clock validation time *VALTIME*[1:0] = 01 or higher.

**Table 53. Alarm Output Logic Equations [Si5368 and *CKCONFIG\_REG* = 1]**

<i>FOS_EN</i>	Alarm Output Equations
0 (Disables FOS)	C1B = <i>LOS1_INT</i> or ( <i>LOS3_INT</i> and <i>FSYNC_SWTCH_REG</i> ) C2B = <i>LOS2_INT</i> or ( <i>LOS4_INT</i> and <i>FSYNC_SWTCH_REG</i> ) C3B tri-state, ALRMOUT = <i>ALIGN_INT</i>
1	C1B = <i>LOS1_INT</i> or ( <i>LOS3_INT</i> and <i>FSYNC_SWTCH_REG</i> ) or <i>FOS1_INT</i> C2B = <i>LOS2_INT</i> or ( <i>LOS4_INT</i> and <i>FSYNC_SWTCH_REG</i> ) or <i>FOS2_INT</i> C3B tri-state, ALRMOUT = <i>ALIGN_INT</i>

## 7.11.7. LOS Algorithm for Reference Clock Input (Si5319, Si5324, Si5326, Si5327, Si5368, Si5369, Si5374, Si5375)

The reference clock input on the XA/XB port is monitored for LOS. The LOS circuitry divides the signal at XA/XB by 128, producing a 78 kHz to 1.2 MHz signal, and monitors the signal for LOS using the same algorithm as described in Section “7.11.1. Loss-of-Signal Alarms (Si5319, Si5324, Si5325, Si5326, Si5327, Si5367, Si5368, Si5369, Si5374, Si5375)”. The *LOSX\_INT* read only bit reflects the state of a loss-of-signal monitor on the XA/XB port. For the Si5374 and Si5375, the XA/XB port refers to the OSC\_P and OSC\_N pins.

## 7.11.8. LOL (Si5319, Si5324, Si5326, Si5327, Si5368, Si5369, Si5374, Si5375)

The device has a PLL lock detection algorithm that indicates the lock status on the LOL output pin and the *LOL\_INT* read-only register bit. The algorithm works by continuously monitoring the phase of the input clock in relation to the phase of the feedback clock. A retrIGGERable one-shot is set each time a potential phase cycle slip condition is detected. If no potential phase cycle slip occurs for the retrIGGER time, the LOL output is set low, indicating the PLL is in lock. The LOL pin is held in the active state during an internal PLL calibration. The active polarity of the LOL output pin is set using the *LOL\_POL* register bit (default active high).

The lock detect retrIGGER time is user-selectable, independent of the loop bandwidth. The *LOCKT*[2:0] register bits must be set by the user to the desired setting. Table 54 shows the lock detect retrIGGER time for both modes of operation. *LOCKT* is the minimum amount of time that LOL will be active.

Table 54. Lock Detect Retrigger Time (*LOCKT*)

<i>LOCKT</i> [2:0]	Retrigger Time (ms)
000	106
001	53
010	26.5
011	13.3
100	6.6 (value after reset)
101	3.3
110	1.66
111	.833

### 7.11.9. Device Interrupts

Alarms on internal real-time status bits such as *LOS1\_INT*, *FOS1\_INT*, etc. cause their associated interrupt flags (*LOS1\_FLG*, *FOS1\_FLG*, etc.) to be set and held. The interrupt flag bits can be individually masked or unmasked with respect to the output interrupt pin. Once an interrupt flag bit is set, it will remain high until the register location is written with a "0" to clear the flag.

### 7.12. Device Reset

Upon powerup or asserting Reset via the  $\overline{\text{RST}}$  pin or software, the device internally executes a power-on-reset (POR) which resets the internal device logic and tristates the device outputs. The device waits for configuration commands and the receipt of the *ICAL* = 1 command to start its calibration. Any changes to the *CMODE* pin require that  $\overline{\text{RST}}$  be toggled to reset the part. The power-up default register values are given in the data sheets for these parts.

## 7.13. I<sup>2</sup>C Serial Microprocessor Interface

When configured in I<sup>2</sup>C control mode (CMODE = L), the control interface to the device is a 2-wire bus for bidirectional communication. The bus consists of a bidirectional serial data line (SDA) and a serial clock input (SCL). Both lines must be connected to the positive supply via an external pull-up. In addition, an output interrupt (INT) is provided with selectable active polarity (determined by *INT\_POL* bit). Fast mode operation is supported for transfer rates up to 400 kbps as specified in the I<sup>2</sup>C-Bus Specification standard. To provide bus address flexibility, three pins (A[2:0]) are available to customize the LSBs of the device address. The complete bus address for the device is as follows:

1 1 0 1 A[2] A[1] A[0] R/W.

Figure 34 shows the command format for both read and write access. Data is always sent MSB first. The timing specifications and timing diagram for the I<sup>2</sup>C bus can be found in the I<sup>2</sup>C-Bus Specification standard (fast mode operation) (See: <http://www.standards.nxp.com/literature/books/i2c/pdf/i2c.bus.specification.pdf>).

The maximum I<sup>2</sup>C clock speed is 400 kHz.

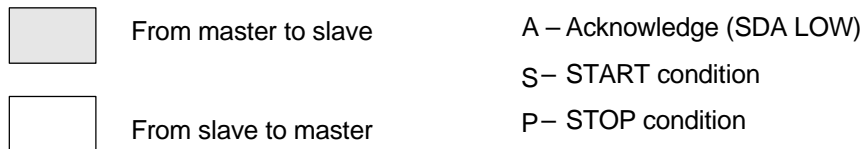
S	Slave Address	0	A	Byte Address	A	Data	A	Data	A	P
---	---------------	---	---	--------------	---	------	---	------	---	---

Write Command

S	Slave Address	0	A	Byte Address	A	S	Slave Address	1	A	Data	A	Data	$\bar{A}$	P
---	---------------	---	---	--------------	---	---	---------------	---	---	------	---	------	-----------	---

Read Command

–address auto incremented after each data read or write  
(this can be two separate transactions)



**Figure 34. I<sup>2</sup>C Command Format**

In Figure 35, the value 68 is seven bits. The sequence of the example is: Write register 00 with the value 0xAA; then, read register 00. Note that 0 = Write = W, and 1 = Read = R.

S	Slave Address	0	A	Byte Address	A	Data	A
	68	W		00		AA	

Write Command

S	Slave Address	0	A	Byte Address	A	S	Slave Address	1	A	Data
	68	W		00			68	R		AA

Read Command

**Figure 35. I<sup>2</sup>C Example**

## 7.14. Serial Microprocessor Interface (SPI)

When configured in SPI control mode (CMODE = H), the control interface to the device is a 4-wire interface modeled after commonly available microcontroller and serial peripheral devices. The interface consists of a clock input (SCLK), slave select input (SSb), serial data input (SDI), and serial data output (SDO). In addition, an output interrupt (INT) is provided with selectable active polarity (determined by *INT\_POL* bit).

Data is transferred a byte at a time with each register access consisting of a pair of byte transfers. Figure 36 and Figure 37 illustrate read and write/set address operations on the SPI bus, and AC SPEC gives the timing requirements for the interface. Table 55 shows the SPI command format.

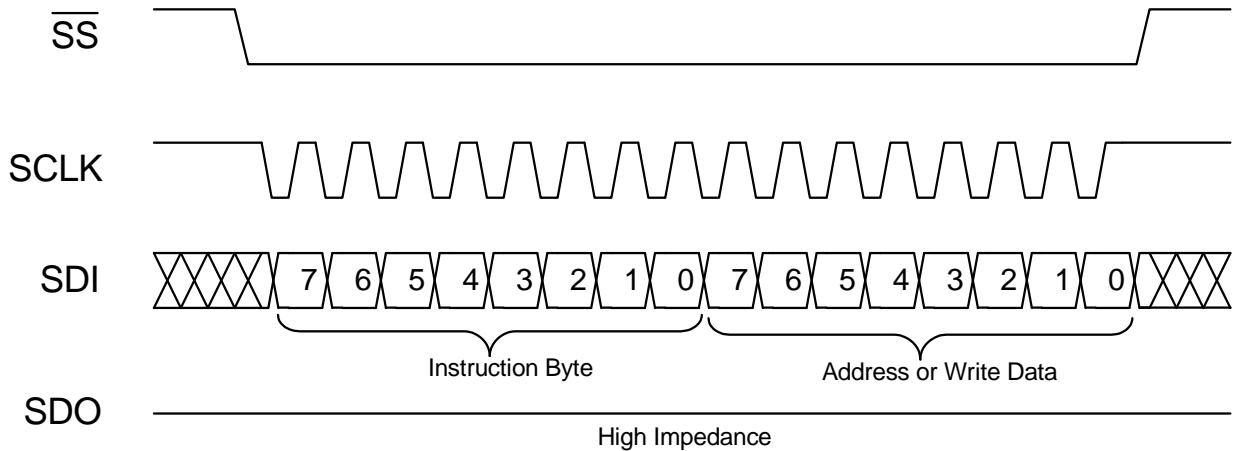
**Table 55. SPI Command Format**

Instruction(BYTE0)	Address/Data[7:0](BYTE1)
00000000—Set Address	AAAAAAAA
01000000—Write	DDDDDDDD
01100000—Write/Address Increment	DDDDDDDD
10000000—Read	DDDDDDDD
10100000—Read/Address Increment	DDDDDDDD

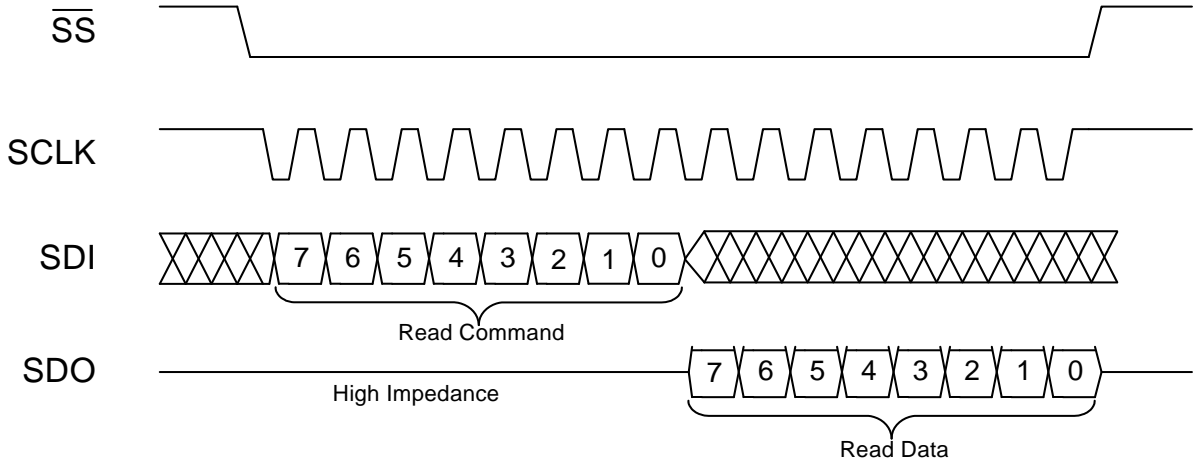
The first byte of the pair is the instruction byte. The “Set Address” command writes the 8 bit address value that will be used for the subsequent read or write. The “Write” command writes data into the device based on the address previously established and the “Write/Address Increment” command writes data into the device and then automatically increments the register address for use on the subsequent command. The “Read” command reads one byte of data from the device and the “Read/Address Increment” reads one byte and increments the register address automatically. The second byte of the pair is the address or data byte.

As shown in Figure 36 and Figure 37, SSb should be held low during the entire two byte transfer. Raising SSb resets the internal state machine; so, SSb can optionally be raised between each two byte transfers to guarantee the state machine will be reinitialized. During a read operation, the SDO becomes active on the falling edge of SCLK and the 8-bit contents of the register are driven out MSB first. The SDO is high impedance on the rising edge of SS. SDI is a “don’t care” during the data portion of read operations. During write operations, data is driven into the device via the SDI pin MSB first. The SDO pin will remain high impedance during write operations. Data always transitions with the falling edge of the clock and is latched on the rising edge. The clock should return to a logic high when no transfer is in progress.

The SPI port supports continuous clocking operation where SSb is used to gate two or four byte transfers. The maximum speed supported by SPI is 10 MHz.



**Figure 36. SPI Write/Set Address Command**



**Figure 37. SPI Read Command**

### 7.14.1. Default Device Configuration

For ease of manufacture and bench testing of the device, the default register settings have been chosen to place the device in a fully-functional mode with an easily-observable output clock. Refer to the data sheet for your device.

## 7.15. Register Descriptions

See the device data sheet for a full description of the registers.

## 7.16. DSPLLsim Configuration Software

To simplify frequency planning, loop bandwidth selection, and general device configuration, of the Any-Frequency Precision Clocks. Silicon Laboratories has a configuration utility - DSPLLsim for the Si5319, Si5325, Si5326, Si5327, Si5367, Si5368 and Si5369. For the Si5374 and Si5375, there is a different configuration utility - Si537xDSPLLsim. Both are available to download from [www.silabs.com/timing](http://www.silabs.com/timing).



## 8. High-Speed I/O

### 8.1. Input Clock Buffers

Any-Frequency Precision Clock devices provide differential inputs for the CKINn clock inputs. These inputs are internally biased to a common mode voltage and can be driven by either a single-ended or differential source. Figure 38 through Figure 41 show typical interface circuits for LVPECL, CML, LVDS, or CMOS input clocks. Note that the jitter generation improves for higher levels on CKINn (within the limits in Table 8, “AC Characteristics—All Devices”).

AC coupling the input clocks is recommended because it removes any issue with common mode input voltages. However, either ac or dc coupling is acceptable. Figures 38 and 39 show various examples of different input termination arrangements.

Unused inputs should have an AC ground connection. For microprocessor-controlled devices, the *PD\_CKn* bits may be set to shut off unused input buffers to reduce power.

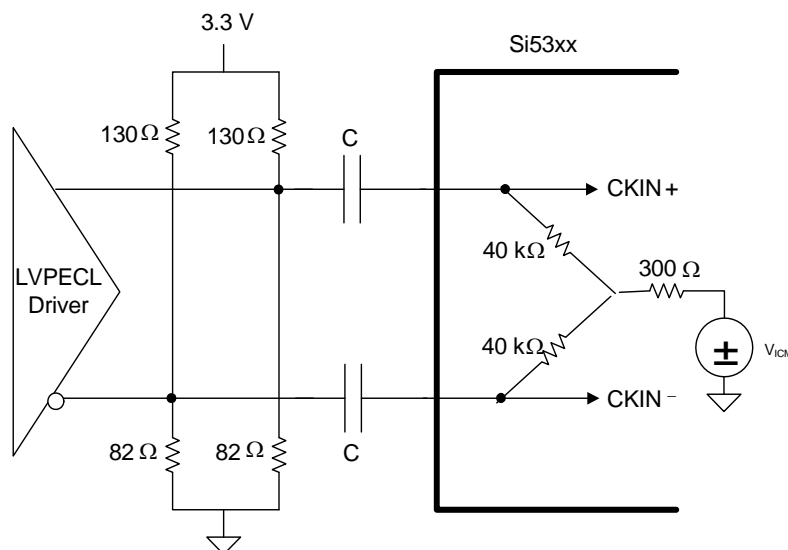


Figure 38. Differential LVPECL Termination

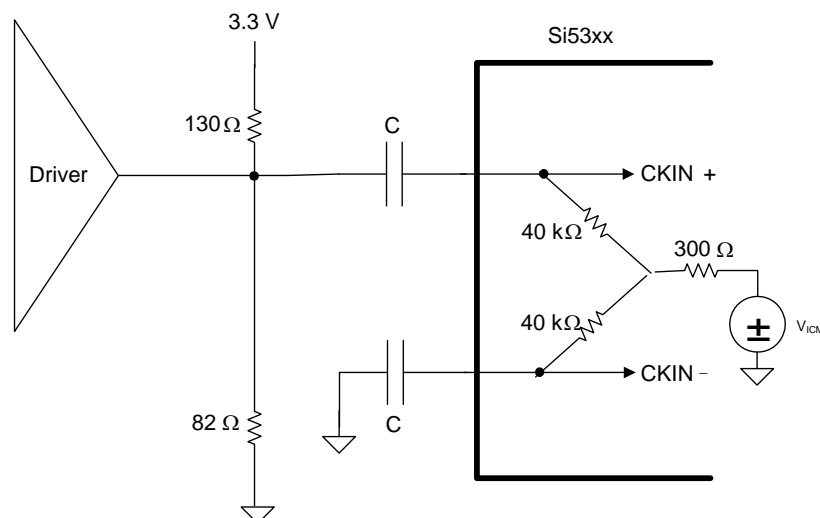
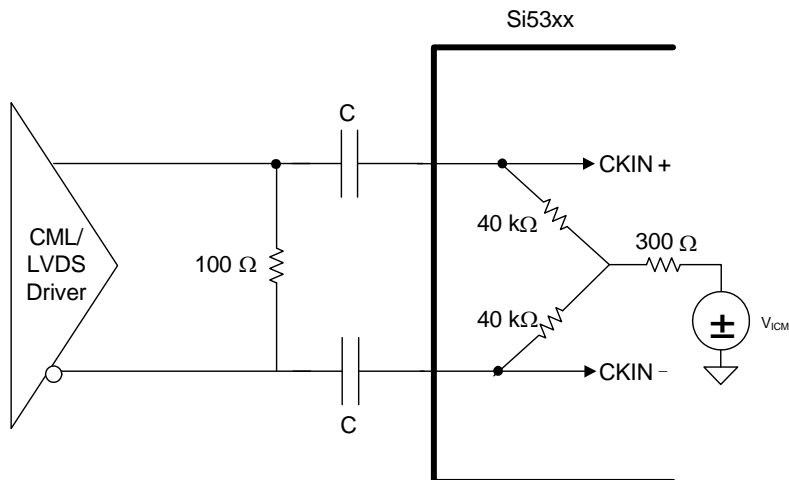
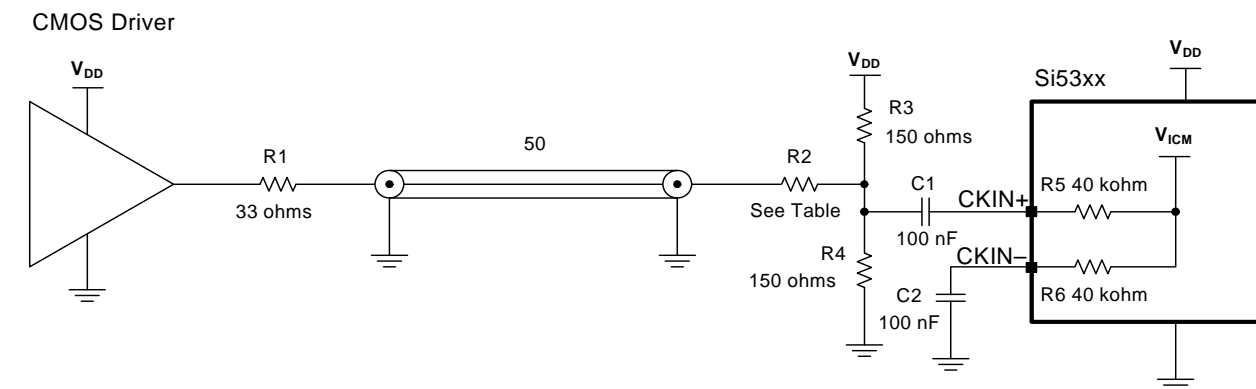


Figure 39. Single-Ended LVPECL Termination



**Figure 40. CML/LVDS Termination (1.8, 2.5, 3.3 V)**



V <sub>DD</sub>	R2	Notes
-----------------	----	-------

3.3 V	100 ohm	Locate R1 near CMOS driver
2.5 V	49.9 ohm	Locate other components near Si5317
1.8 V	14.7 ohm	Recalculate resistor values for other drive strengths

**Additional Notes:**

1. Attenuation circuit limits overshoot and undershoot.
2. Not to be used with non-square wave input clocks.

**Figure 41. CMOS Termination (1.8, 2.5, 3.3 V)**

## 8.2. Output Clock Drivers

The output clocks can be configured to be compatible with LVPECL, CML, LVDS, or CMOS as shown in Table 56. Unused outputs can be left unconnected. For microprocessor-controlled devices, it is recommended to write “disable” to *SFOUTn* to disable the output buffer and reduce power. When the output mode is CMOS, bypass mode is not supported.

**Table 56. Output Driver Configuration**

Output Mode	SFOUTn Pin Settings (Si5316, Si5322, Si5323, Si5365)	<i>SFOUTn_REG</i> [2:0] Settings (Si5319, Si5325, Si5326, Si5327, Si5367, Si5368, Si5369, Si5374, Si5375)
LVDS	HM	111
CML	HL	110
LVPECL	MH	101
Low-swing LVDS	ML	011
CMOS	LH	010
Disabled	LM	000
Reserved	All Others	All Others

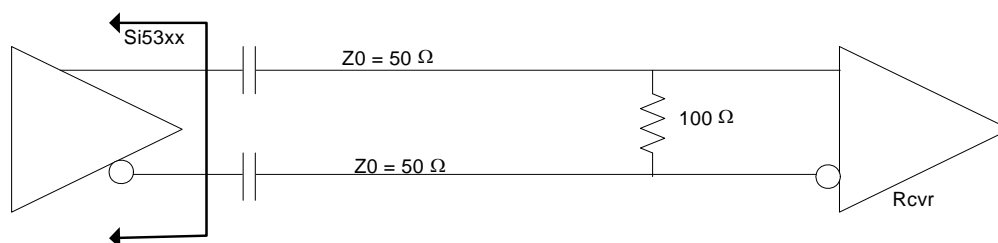
**Note:** The LVPECL outputs are “LVPECL compatible.” No DC biasing circuitry is required to drive a standard LVPECL load.

### 8.2.1. LVPECL TQFP Output Signal Format Restrictions at 3.3 V (Si5367, Si5368, Si5369)

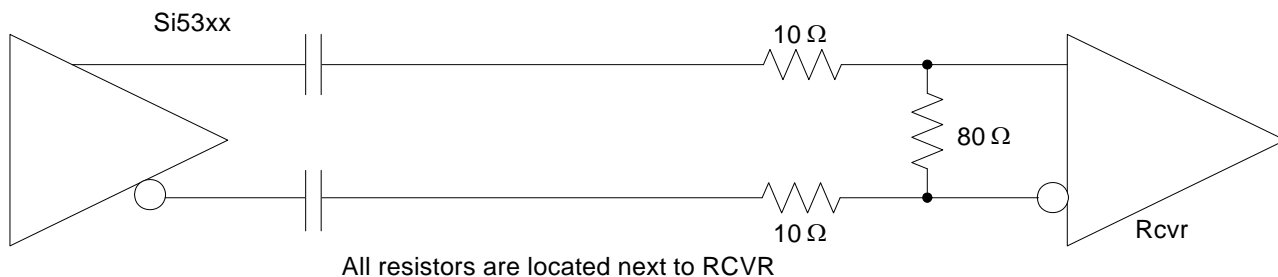
The LVPECL and CMOS output formats draw more current than either LVDS or CML; however, there are restrictions in the allowed output format pin settings so that the maximum power dissipation for the TQFP devices is limited when they are operated at 3.3 V. When  $V_{dd} = 3.3$  V and there are four enabled LVPECL or CMOS outputs, the fifth output must be disabled. When  $V_{dd} = 3.3$  V and there are five enabled outputs, there can be no more than three outputs that are either LVPECL or CMOS. All other configurations are valid, including those with  $V_{dd} = 2.5$  V.

### 8.2.2. Typical Output Circuits

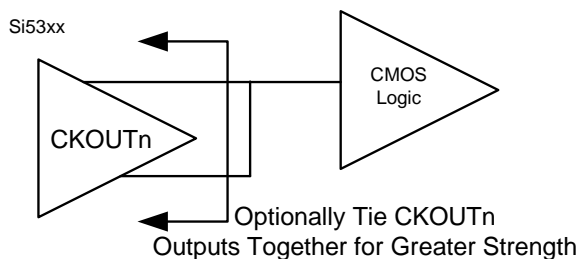
It is recommended that the outputs be ac coupled to avoid common mode issues. This suggestion does not apply to the Si5366 and Si5368 when CKOUT5 is configured as FS\_OUT (frame sync) because it can have a duty cycle significantly different from 50%.



**Figure 42. Typical Output Circuit (Differential)**



**Figure 43. Differential Output Example Requiring Attenuation**



**Figure 44. Typical CMOS Output Circuit (Tie CKOUTn+ and CKOUTn- Together)**

Unused output drivers should be powered down, per Table 57, or left floating.  
 The pin-controlled parts have a DBL2\_BY pin that can be used to disable CKOUT2.

**Table 57. Disabling Unused Output Driver**

Output Driver	Si5365, Si5366	Si5325, Si5326, Si5367, Si5368
CKOUT1 and CKOUT2	N/A	Use <i>SFOUT_REG</i> to disable individual CKOUTn.
CKOUT3 and CKOUT4	DBL34	
CKOUT5/FS_OUT	DBL5/DBL_FS	

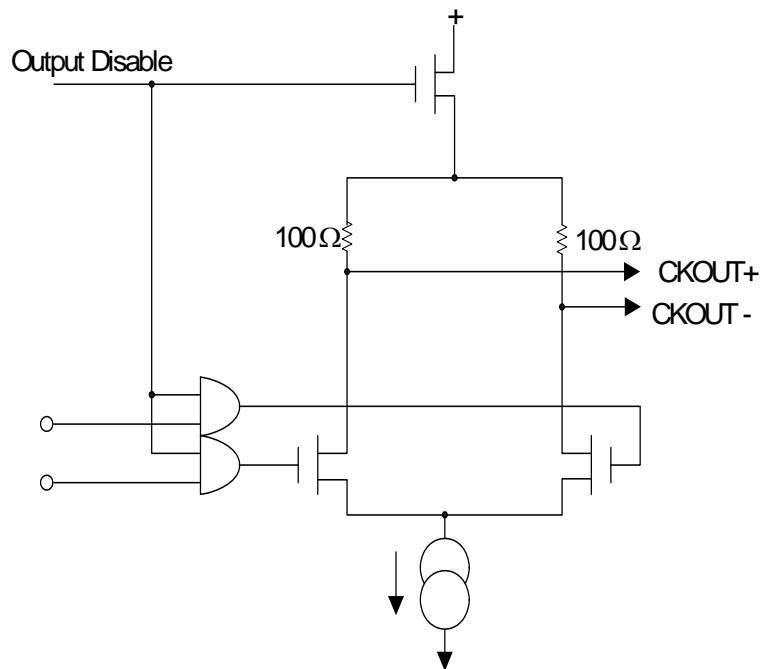


Figure 45. CKOUT Structure

## 8.2.3. Typical Clock Output Scope Shots

Table 58. Output Format Measurements<sup>1,2</sup>

Name	SFOUT Pin	SFOUT Code	Single Vpk-pk	Diff Vpk-pk	Vocm
Reserved	HH	—	—	—	—
LVDS	HM	7	.35	.7	1.2
CML	HLK	6	.25	.5	3.05
LVPECL	MH	5	.75	1.5	2.10
Reserved	MM	4	—	—	—
Low Swing LVDS	ML	3	.25	.5	1.2
CMOS	LH	2	3.3	—	1.65
Disable	LM	1	—	—	—
Reserved	LL	0	—	—	—

**Notes:**

1. Typical measurements with an Si5326 at  $V_C = 3.3$  V.
2. For all measurements:  
Vpk-pk on a single output, double the values for differential.  
 $V_{dd} = 3.3$  V.  
50  $\Omega$  ac load to ground.

## 8.3. Typical Scope Shots for SFOUT Options

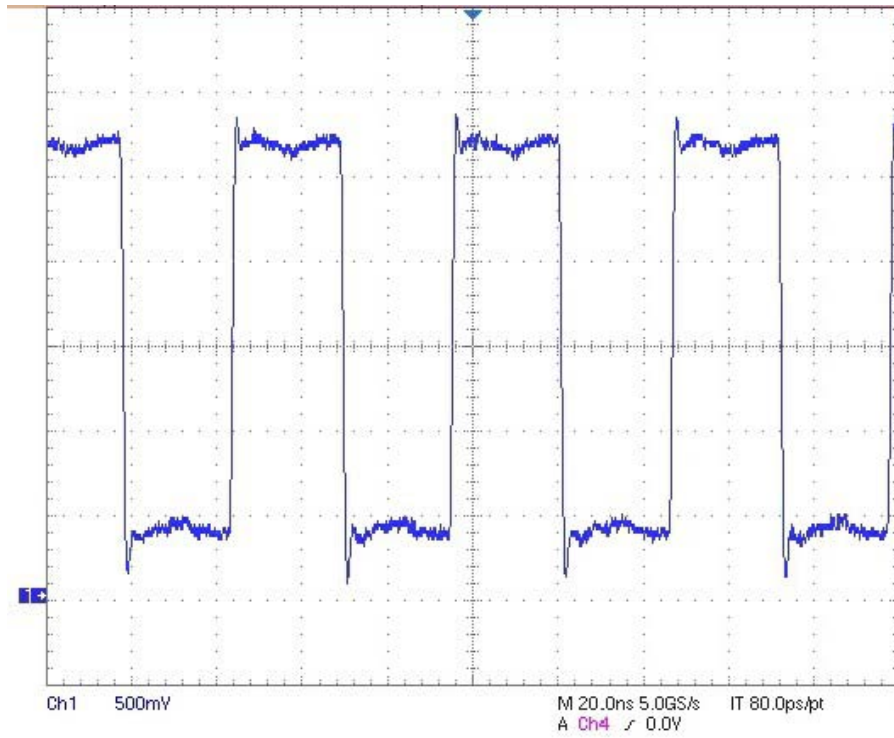


Figure 46. sfout\_2, CMOS

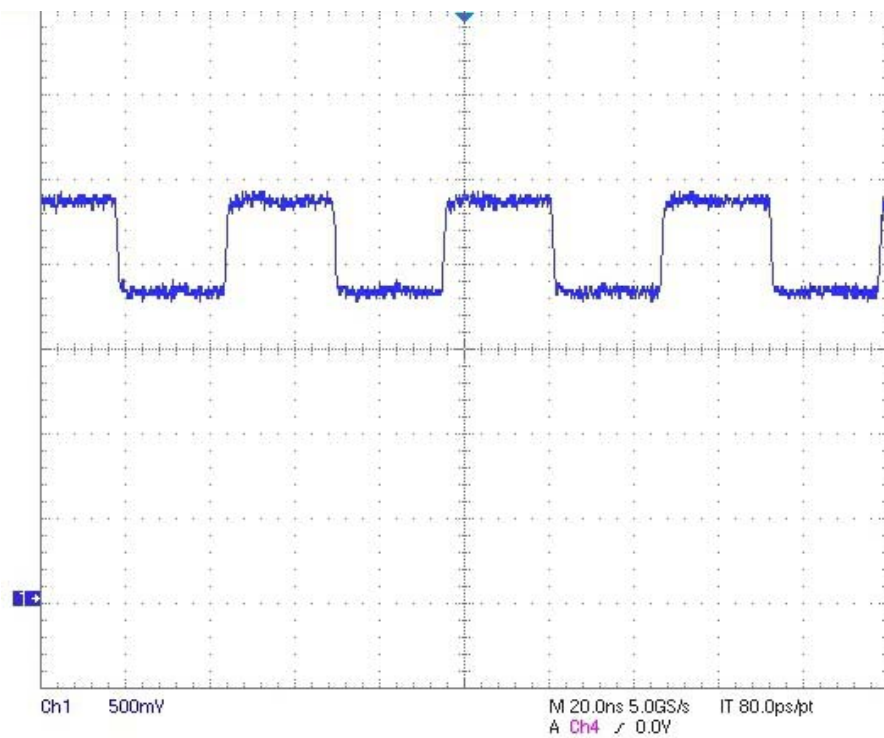


Figure 47. sfout\_3, lowSwingLVDS

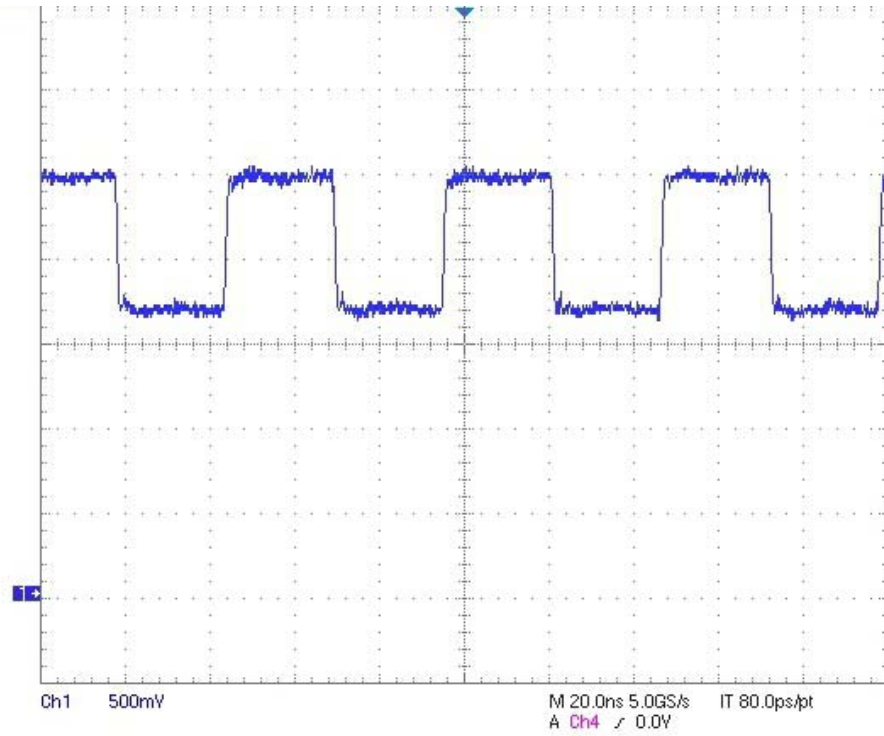


Figure 48. sfout\_5, LVPECL

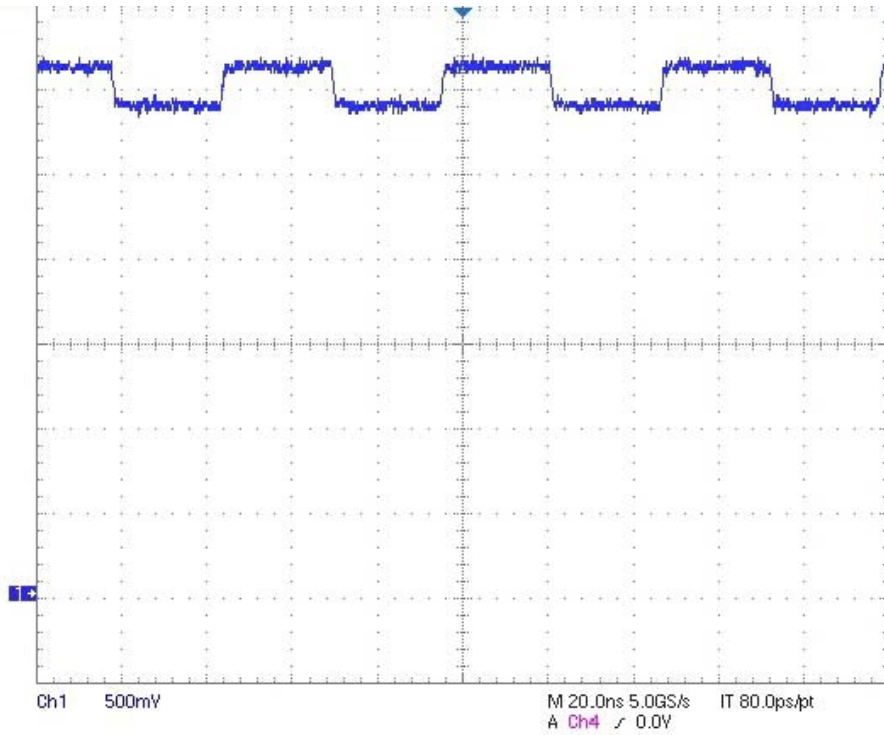


Figure 49. sfout\_6, CML

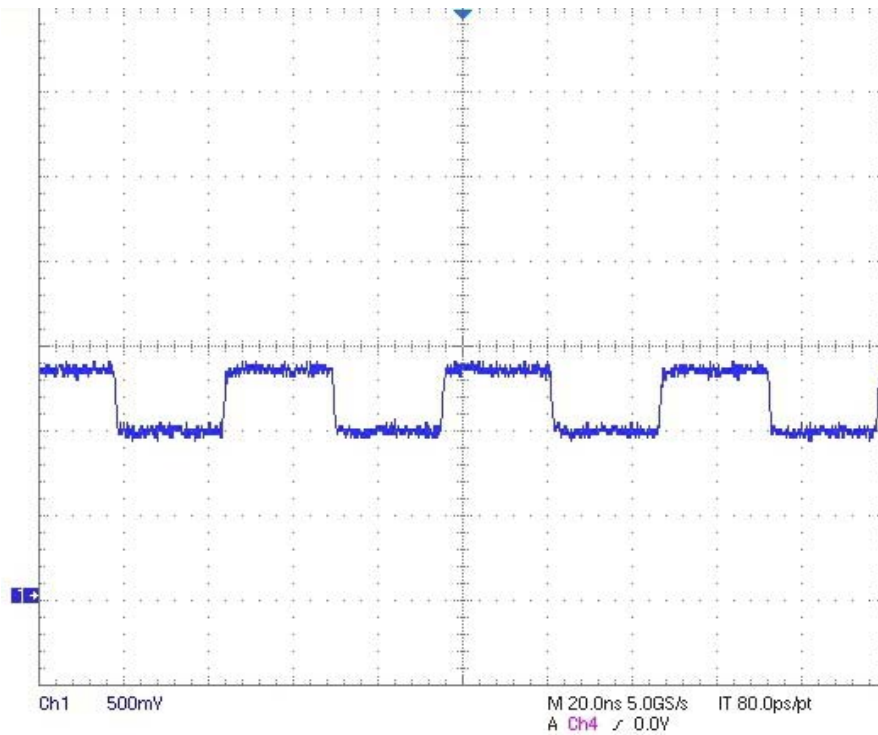


Figure 50. sfout\_7, LVDS

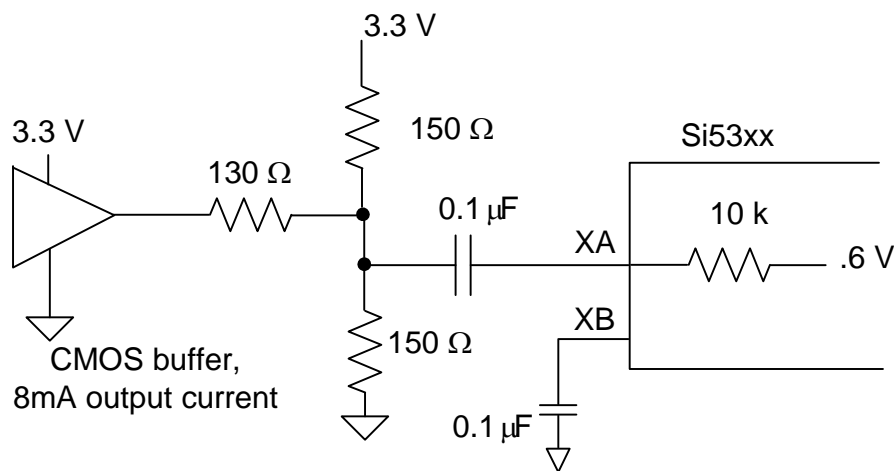


#### 8.4. Crystal/Reference Clock Interfaces (Si5316, Si5319, Si5323, Si5324, Si5326, Si5327, Si5366, Si5368, Si5369, Si5374, and Si5375)

All devices other than the Si5374 and Si5375 can use an external crystal or external clock as a reference. The Si5374 and Si5375 are limited to an external reference oscillator and cannot use a crystal. If an external clock is used, it must be ac coupled. With appropriate buffers, the same external reference clock can be applied to CKINn. Although the reference clock input can be driven single ended (See Figure 51), best performance is with a crystal or differential LVPECL source. See Figure 55.

If the crystal is located close to a fan, it is recommended that the crystal be covered with some type of thermal cap. For various crystal vendors and part numbers, see "Appendix A—Narrowband References" on page 119.

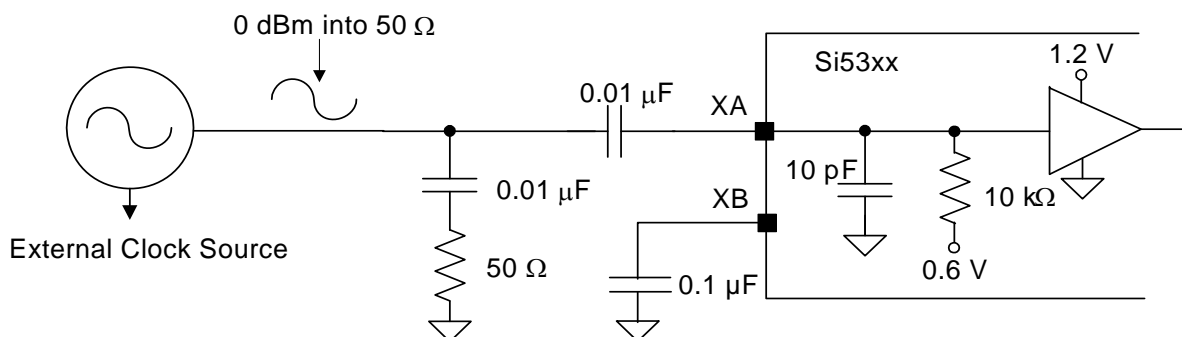
1. For SONET applications, the best jitter performance is with a 114.285 MHz third overtone crystal. The Si5327 crystal is fundamental mode and is limited to values between 37 MHz and 41 MHz.
2. The jitter transfer for the external reference to CKOUT is nearly 1:1 (see "Appendix A—Narrowband References" on page 119.)
3. In digital hold or VCO freeze mode, the VCO tracks any changes in the external reference clock.



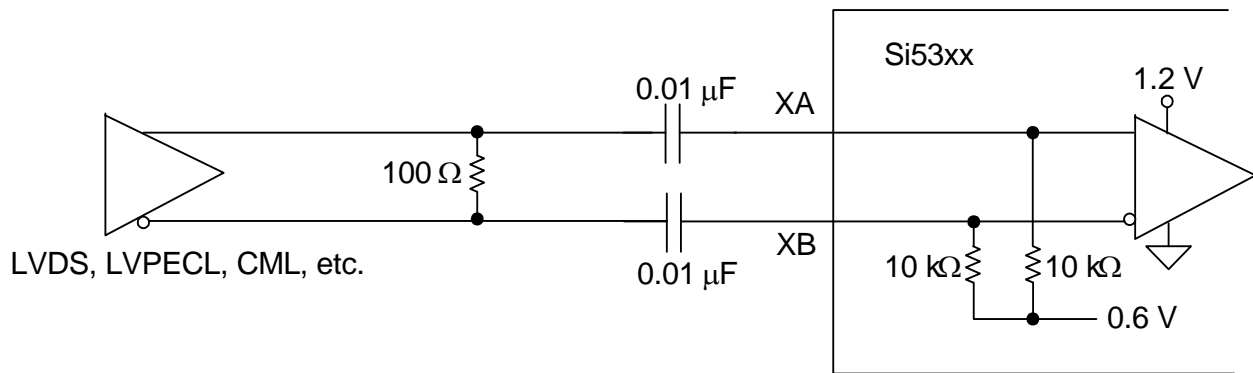
For 1.8 V operation, change 130  $\Omega$  to 47.5  $\Omega$ .

For 2.5 V operation, change 130  $\Omega$  to 82  $\Omega$ .

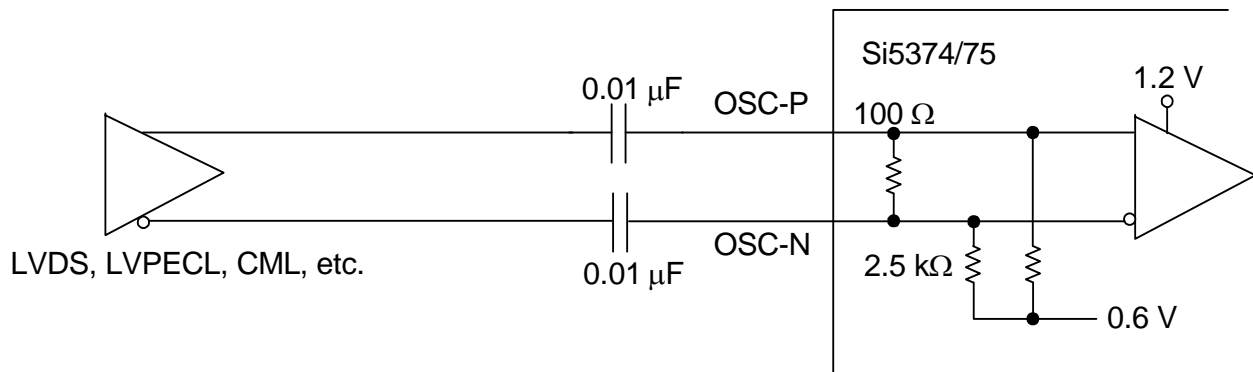
**Figure 51. CMOS External Reference Circuit**



**Figure 52. Sinewave External Clock Circuit**



**Figure 53. Differential External Reference Input Example  
(Not for Si5374 or Si5375)**



**Figure 54. Differential OSC Reference Input Example for Si5374 and Si5375**

## 8.5. Three-Level (3L) Input Pins (No External Resistors)

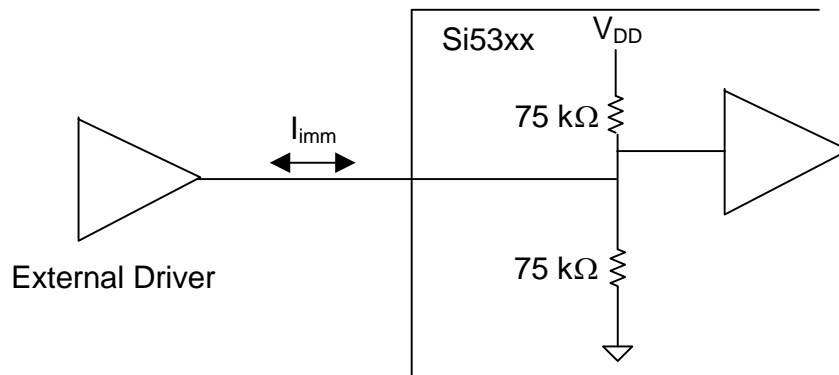
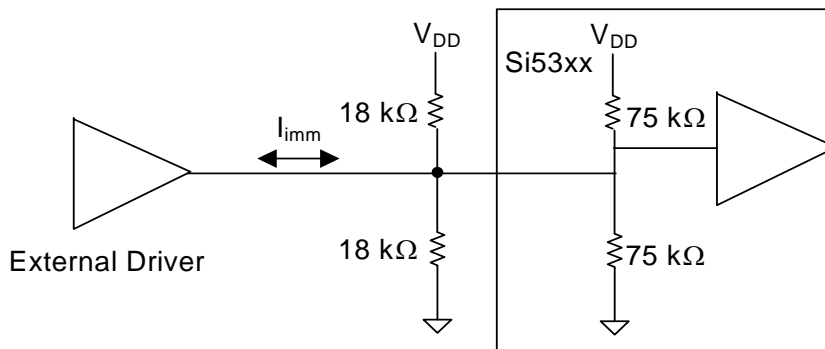


Figure 55. Three Level Input Pins

Parameter	Symbol	Min	Max
Input Voltage Low	V <sub>ill</sub>	—	.15 x V <sub>DD</sub>
Input Voltage Mid	V <sub>imm</sub>	.45 x V <sub>DD</sub>	.55 x V <sub>DD</sub>
Input Voltage High	V <sub>ihh</sub>	.85 x V <sub>DD</sub>	—
Input Low Current	I <sub>ill</sub>	-6 μA	—
Input Mid Current	I <sub>imm</sub>	-2 μA	2 μA
Input High Current	I <sub>ihh</sub>	—	6 μA

**Note:** The above currents are the amount of leakage that the 3L inputs can tolerate from an external driver.

## 8.6. Three-Level (3L) Input Pins (With External Resistors)



One of eight resistors from a Panasonic EXB-D10C183J (or similar) resistor pack

**Figure 56. Three Level Input Pins**

Parameter	Symbol	Min	Max
Input Low Current	$I_{ill}$	$-30 \mu A$	—
Input Mid Current	$I_{imm}$	$-11 \mu A$	$-11 \mu A$
Input High Current	$I_{ihh}$	—	$-30 \mu A$

**Note:** The above currents are the amount of leakage that the 3L inputs can tolerate from an external driver.

- Any resistor pack may be used.
  - The Panasonic EXB-D10C183J is an example.
  - PCB layout is not critical.
- Resistor packs are only needed if the leakage current of the external driver exceeds the listed currents.
- If a pin is tied to ground or Vdd, no resistors are needed.
- If a pin is left open (no connect), no resistors are needed.

## 9. Power Supply

These devices incorporate an on-chip voltage regulator to power the device from supply voltages of 1.8, 2.5, or 3.3 V. Internal core circuitry is driven from the output of this regulator while I/O circuitry uses the external supply voltage directly.

Figure 57 shows a typical power supply bypass network for the TQFP packages. Figure 58 shows a typical power supply bypass network for QFN.

In both cases, the center ground pad under the device must be electrically and thermally connected to the ground plane.

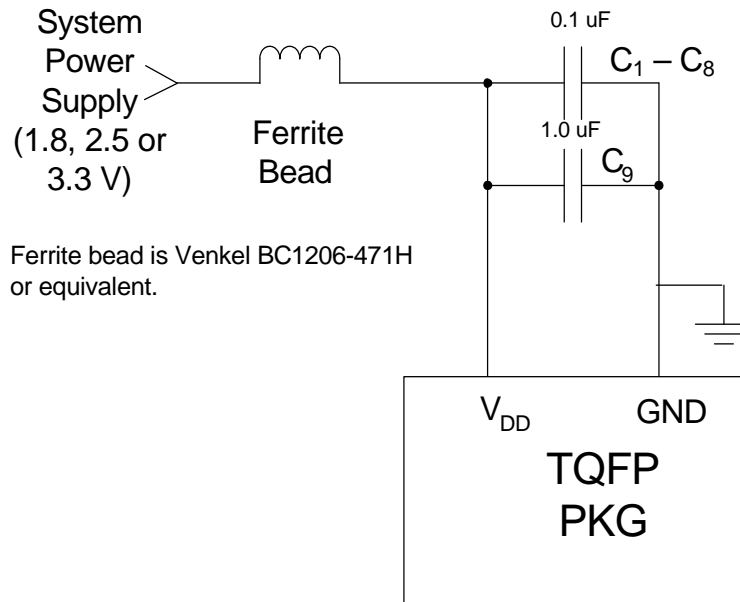


Figure 57. Typical Power Supply Bypass Network (TQFP Package)

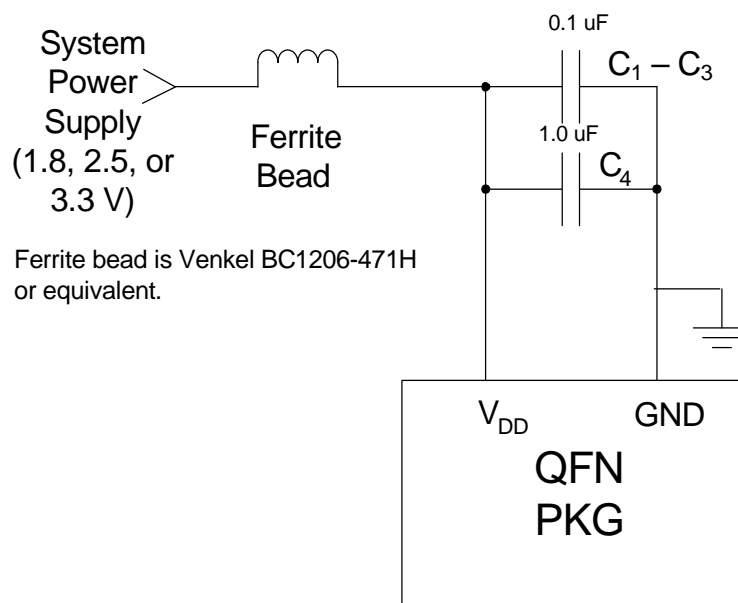


Figure 58. Typical Power Supply Bypass Network (QFN Package)

## 10. Packages and Ordering Guide

Refer to the respective data sheet for your device packaging and ordering information.

## APPENDIX A—NARROWBAND REFERENCES

### Resonator/External Clock Selection

Table 59 shows the 114.285 MHz third overtone crystals that have been approved for use with the Si53xx jitter attenuating clocks.

**Table 59. Approved Crystals**

Manufacturer	Part Number	Web Site	Stability	Initial Accuracy
TXC	7MA1400014	<a href="http://www.txc.com.tw">http://www.txc.com.tw</a>	100 ppm	100 ppm
Connor Winfield	CS-018	<a href="http://www.conwin.com">http://www.conwin.com</a>	100 ppm	100 ppm
Connor Winfield	CS-023	<a href="http://www.conwin.com">http://www.conwin.com</a>	20 ppm	20 ppm
NDK	EXS00A-CS00871	<a href="http://www.ndk.com/en/">http://www.ndk.com/en/</a>	100 ppm	100 ppm
NDK	EXS00A-CS00997	<a href="http://www.ndk.com/en/">http://www.ndk.com/en/</a>	20 ppm	20 ppm
Siward	XTL573200NLG-114.285 MHz-OR	<a href="http://www.siward.com">http://www.siward.com</a>	20 ppm	20 ppm
Saronix/eCera	FLB420001	<a href="http://www.pericom.com/saronix">http://www.pericom.com/saronix</a> <a href="http://www.ecera.tw">http://www.ecera.tw</a>	100 ppm	100 ppm
Mtron	M1253S071	<a href="http://www.mtronpti.com">http://www.mtronpti.com</a>	100 ppm	100 ppm

**Table 60. XA/XB Reference Sources and Frequencies**

RATE[1:0]	NB/WB	Type	Recommended	Lower limit	Upper limit
HH	WB	No crystal or external clock	—	—	—
HM	NB	Reserved	—	—	—
HL	NB	Reserved	—	—	—
MH	NB	External clock	114.285 MHz	109 MHz	125.5 MHz
MM	NB	3rd overtone crystal	114.285 MHz	—	—
ML	NB	Reserved	—	—	—
LH	NB	Reserved	—	—	—
LM	NB	External clock	38.88 MHz	37 MHz	41 MHz
LL	NB	Fundamental mode crystal	40 MHz	37 MHz	41 MHz

In some applications, a crystal with frequencies other than 114.285 MHz may be used. Contact Silicon Labs for details and a current list of crystal vendors and approved part numbers.

External reference (and crystal) frequency values should be avoided that result in an output frequency that is an integer or near integer multiple of the reference frequency. See Appendix B for details.

Because the crystal is used as a jitter reference, rapid changes of the crystal temperature can temporarily disturb the output phase and frequency. For example, it is recommended that the crystal not be placed close to a fan that is being turned off and on. If a situation such as this is unavoidable, the crystal should be thermally isolated with an insulating cover.

## Fundamental Mode Crystals

For cost sensitive applications that do not have the most demanding jitter requirements, all of the narrow band devices can use fundamental mode crystals that are in the lowest frequency band ranging from 37 to 41 MHz (corresponding to RATE = LL). Unlike the other narrowband members of the family, the Si5327 is only capable of using fundamental mode crystals that are in this range. For a more detailed discussion of the trade-offs associated with this approach and a list of approved low frequency crystals, please see the application note AN591, which can be downloaded from [www.silabs.com/timing](http://www.silabs.com/timing).

## Reference Drift

During Digital Hold, long-term and temperature related drift of the reference input result in a one-to-one drift of the output frequency. That is, the stability of the any-frequency output is identical to the drift of the reference frequency. This means that for the most demanding applications where the drift of a crystal is not acceptable, an external temperature compensated or ovenized oscillator will be required. Drift is not an issue unless the device is in Digital Hold. Also, the initial accuracy of the reference oscillator (or crystal) is not relevant as long as it is within one of the frequency bands described in Table 60.

## Reference Jitter

Jitter on the reference input has a roughly one-to-one transfer function to the output jitter over the band from 100 Hz up to about 30 kHz. If the XA/XB pins implement a crystal oscillator, the reference will have suitably low jitter if a suitable crystal is used. If the XA/XB pins are connected to an external reference oscillator, the jitter of the external reference oscillator may also contribute significantly to the output jitter. A typical reference input-to-output jitter transfer function is shown in Figure 59.

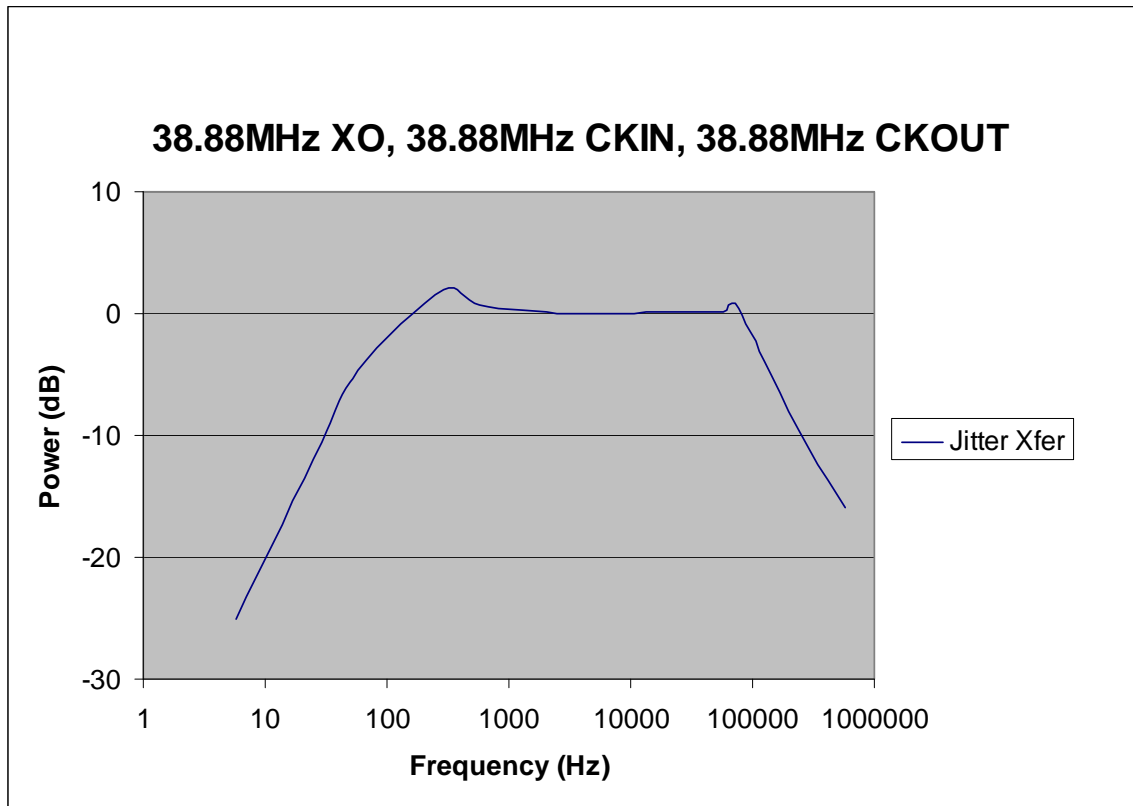


Figure 59. Typical Reference Jitter Transfer Function



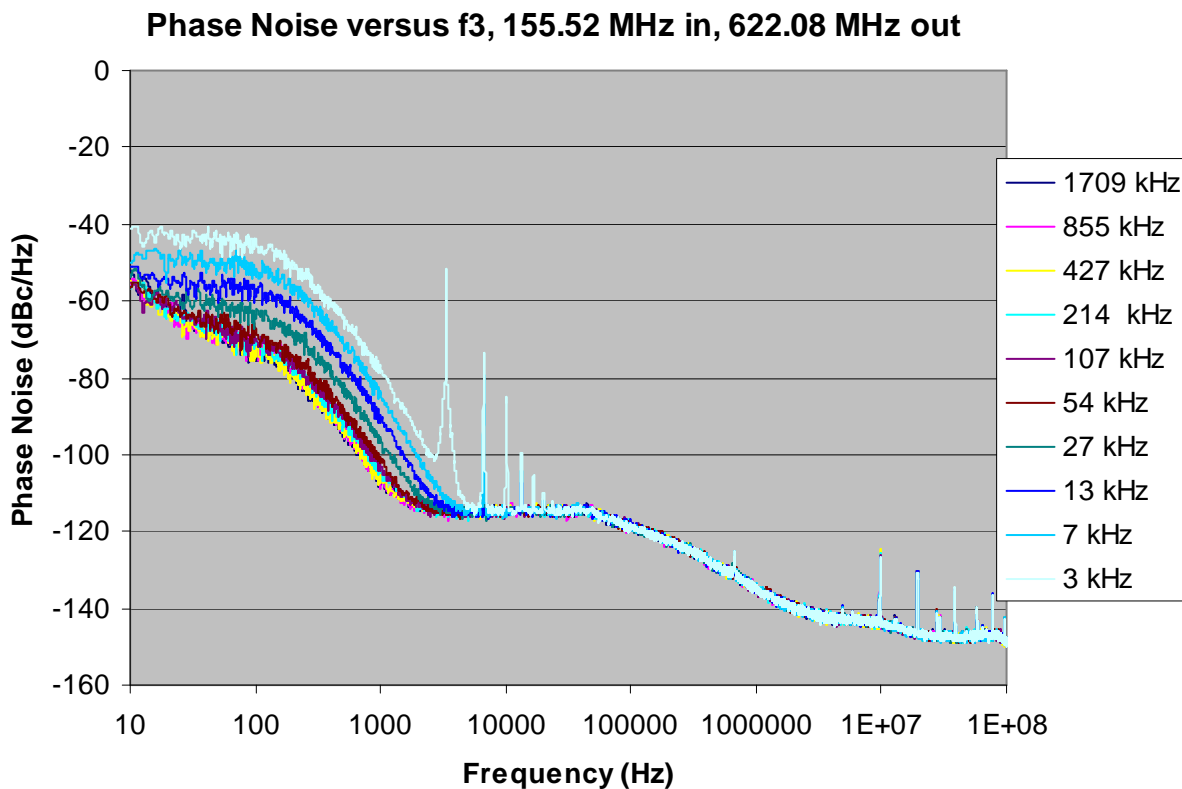
## APPENDIX B—FREQUENCY PLANS AND JITTER PERFORMANCE (Si5316, Si5319, Si5323, Si5324, Si5326, Si5327, Si5366, Si5368, Si5369, Si5374, Si5375)

### Introduction

To achieve the best jitter performance from Narrowband Any-Frequency Clock devices, a few general guidelines should be observed:

#### High f3 Value

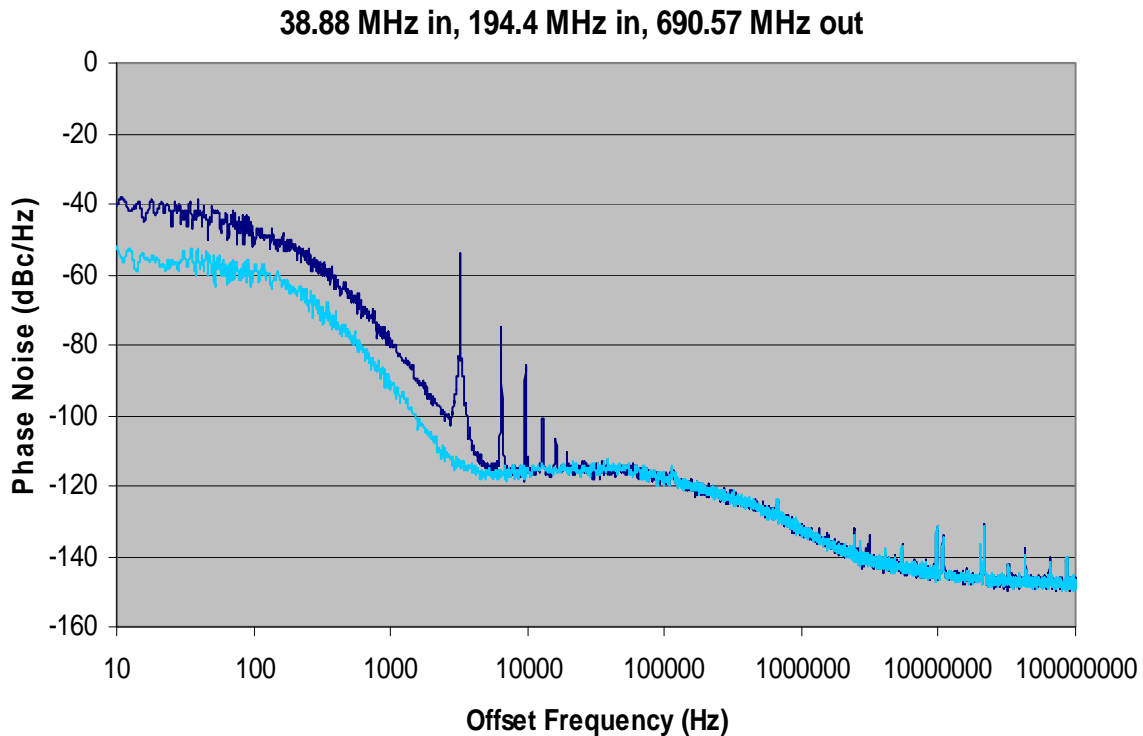
f3 is defined as the comparison frequency at the Phase Detector. It is equal to the input frequency divided by N3. DSPLLsim automatically picks the frequency plan that has the highest possible f3 value and it reports f3 for every new frequency plan that it generates. f3 has a range from 2 kHz minimum up to 2 MHz maximum. The two main causes of a low f3 are a low clock input frequency (which establishes an upper bound on f3) and a PLL multiplier ratio that is comprised of large and mutually prime nominators and denominators. Specifically, for  $CKOUT = CKIN \times (P/Q)$ , if P and Q are mutually prime and large in size, then f3 may have a low value. Very low values of f3 usually result in extra jitter as can be seen in Figure 60.



For the f3 study, the input, output and DCO frequencies were held constant while the dividers were manipulated by hand to artificially reduce the value of f3. Two effects can be seen as f3 approaches the 2 kHz lower limit: there are “spur like” spikes in the mid-band and the noise floor is elevated at the near end. It is also clear that once f3 is above roughly 50 kHz, there is very little benefit from further increasing f3. Note that the loop bandwidth for this study was 60 Hz and any noise below 60 Hz is a result of the input clock, not the Any-Frequency Precision Clock.

# Si53xx-RM

Figure 61 shows similar results and ties them to RMS jitter values. It also helps to illustrate one potential remedy for solutions with low f3. Note that 38.88 MHz x 5 = 194.4 MHz. In this case, an FPGA was used to multiply a 38.88 MHz input clock up by a factor of five to 194.4 MHz, using a feature such as the Xilinx DCM (Digital Clock Manager). Even though FPGAs are notorious for having jittered outputs, the jitter attenuating feature of the Narrowband Any-Frequency Clocks allow an FPGA's output to be used to produce a very clean clock, as can be seen from the jitter numbers below.



**Dark blue—38.88 MHz in, f3 = 3.214 kHz**

**Light blue—194.4 MHz in, f3 = 16.1 kHz**

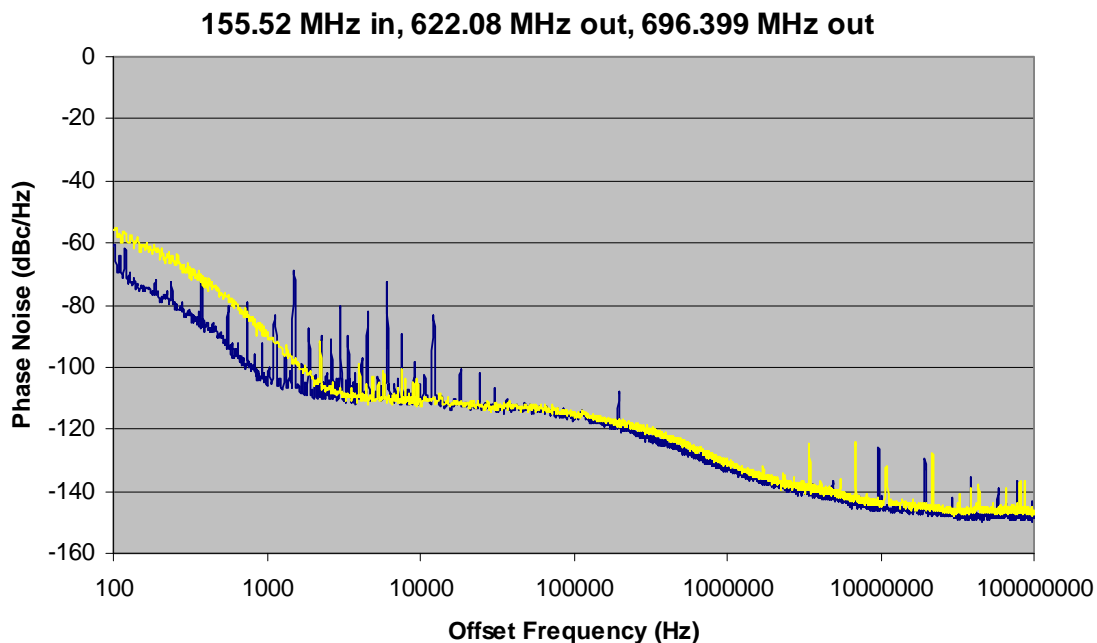
**Figure 61. Jitter vs. f3 with FPGA**

**Table 61. Jitter Values for Figure 61**

	<b>f3 = 3.214 kHz</b>	<b>f3 = 16.1 kHz</b>
	<b>CKIN = 38.88 MHz</b>	<b>CKIN = 194.4 MHz</b>
<b>Jitter Bandwidth</b>	<b>Jitter, RMS</b>	<b>Jitter, RMS</b>
OC-48, 12 kHz to 20 MHz	1,034 fs	285 fs
OC-192, 20 kHz to 80 MHz	668 fs	300 fs
OC-192, 4 MHz to 80 MHz	169 fs	168 fs
OC-192, 50 kHz to 80 MHz	374 fs	287 fs
800 Hz to 80 MHz	3,598 fs	378 fs

## Reference vs. Output Frequency

Because of internal coupling, output frequencies that are an integer multiple (or close to an integer multiple) of the XA/XB reference frequency (either internal or external) should be avoided. Figure 62 illustrates this by showing a 38.88 MHz reference being used to generate both a 622.08 MHz output (which is an integer multiple of 38.88 MHz) and 696.399 MHz (which is not an integer multiple of 38.88 MHz). Notice the mid-band spurs on the 622.08 MHz output, which contribute to the RMS phase noise for the SONET jitter masks. Their effect is more pronounced for the broadband case. For more information on this effect, see "Appendix G—Near Integer Ratios" on page 162.



**Yellow—696.399 MHz output**

**Blue—622.08 MHz output**

**Figure 62. Reference vs. Output Frequency**

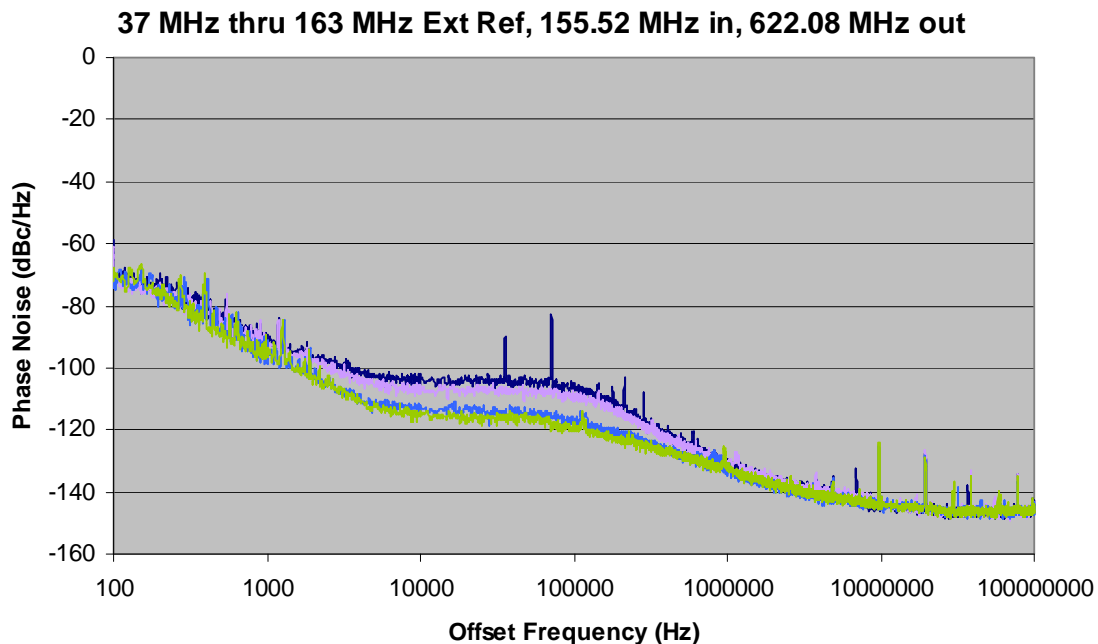
**Table 62. Jitter Values for Figure 62**

	<b>696.399 MHz Out</b>	<b>622.08 MHz Out</b>
<b>Jitter Bandwidth</b>	<b>Yellow, fs RMS</b>	<b>Blue, fs RMS</b>
SONET_OC48, 12 kHz to 20 MHz	379	679
SONET_OC192_A, 20 kHz to 80 MHz	393	520
SONET_OC192_B, 4 MHz to 80 MHz	210	191
SONET_OC192_C, 50 kHz to 80 MHz	373	392
Broadband, 800 Hz to 80 MHz	484	1,196

The crystal frequency of 114.285 MHz was picked for its lack of integer relationship to most of the expected output frequencies. If, for instance, an output frequency of 457.14 MHz (= 4 x 114.285 MHz) were desired, it would be preferable not to use the 114.285 MHz crystal as the reference. For a more detailed study of this, see "Appendix G—Near Integer Ratios" on page 162.

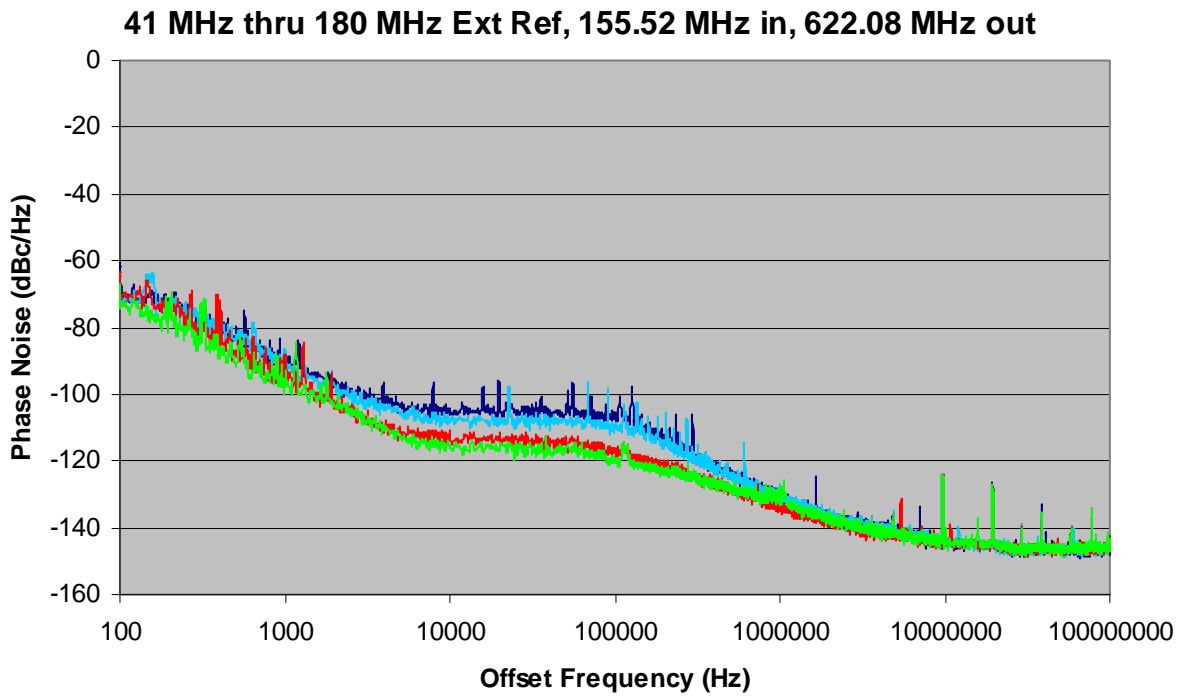
## High Reference Frequency

When selecting a reference frequency, with all other things being equal, the higher the reference frequency, the lower the output jitter. Figures 63 and 64 illustrate this. For a discussion of the available reference frequencies, see section " Resonator/External Clock Selection" on page 119.



Dark Blue—37 MHz  
Violet—55 MHz  
Light Blue—109 MHz  
Yellow-Green—163 MHz

**Figure 63. Jitter vs. Reference Frequency (1 of 2)**



Dark Blue—41 MHz  
 Light Blue—61 MHz  
 Red—125.5 MHz  
 Green—180 MHz

**Figure 64. Jitter vs. Reference Frequency (2 of 2)**

All phase noise numbers are in fs, RMS

External Reference Frequency:	37	41	55	61	109	125.5	163	180
Jitter Bandwidth:	MHz	MHz	MHz	MHz	MHz	MHz	MHz	MHz
SONET_OC48, 12 kHz to 20 MHz	1092	858	633	715	330	321	292	298
SONET_OC192_A, 20 kHz to 80 MHz	1086	855	639	698	356	335	325	331
SONET_OC192_B, 4 MHz to 80 MHz	226	229	232	221	217	183	221	226
SONET_OC192_C, 50 kHz to 80 MHz	1028	797	597	651	340	316	314	320
BroadBand, 800 Hz to 80 MHz	1165	956	728	773	423	375	393	393

## APPENDIX C—TYPICAL PHASE NOISE PLOTS

### Introduction

The following are some typical phase noise plots. The clock input source is a Rohde and Schwarz model SML03 RF Generator. Except as noted, the phase noise analysis equipment is the Agilent E5052B. Also (except as noted), the Any-Frequency part was an Si5326 operating at 3.3 V with an ac-coupled differential PECL output and an ac-coupled differential sine wave input from the RF generator at 0 dBm. Note that, as with any PLL, the output jitter that is below the loop bandwidth of the Any-Frequency device is caused by the jitter of the input clock, not the Any-Frequency Precision Clock. Except as noted, the loop bandwidths were 60 Hz to 100 Hz.

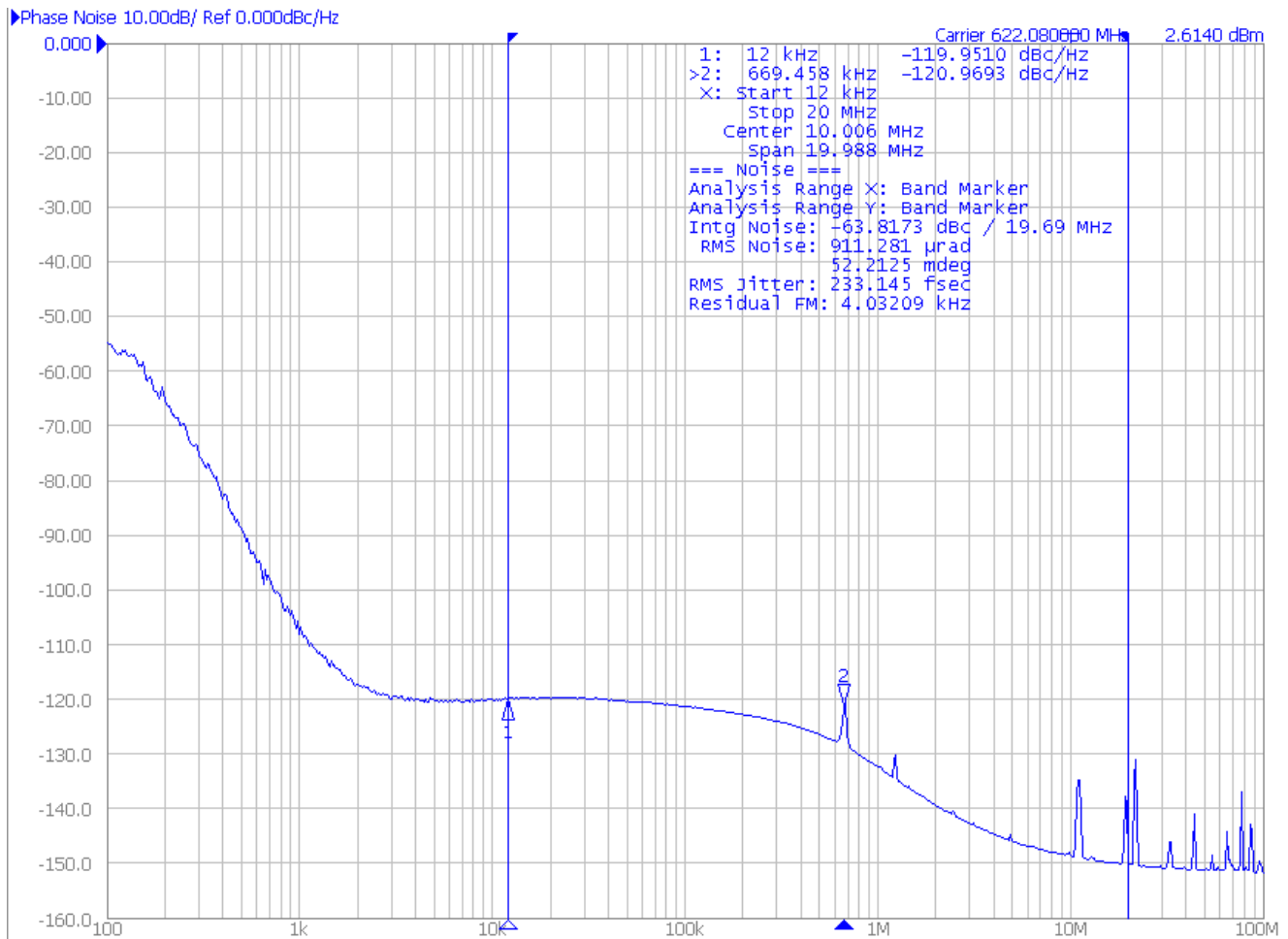
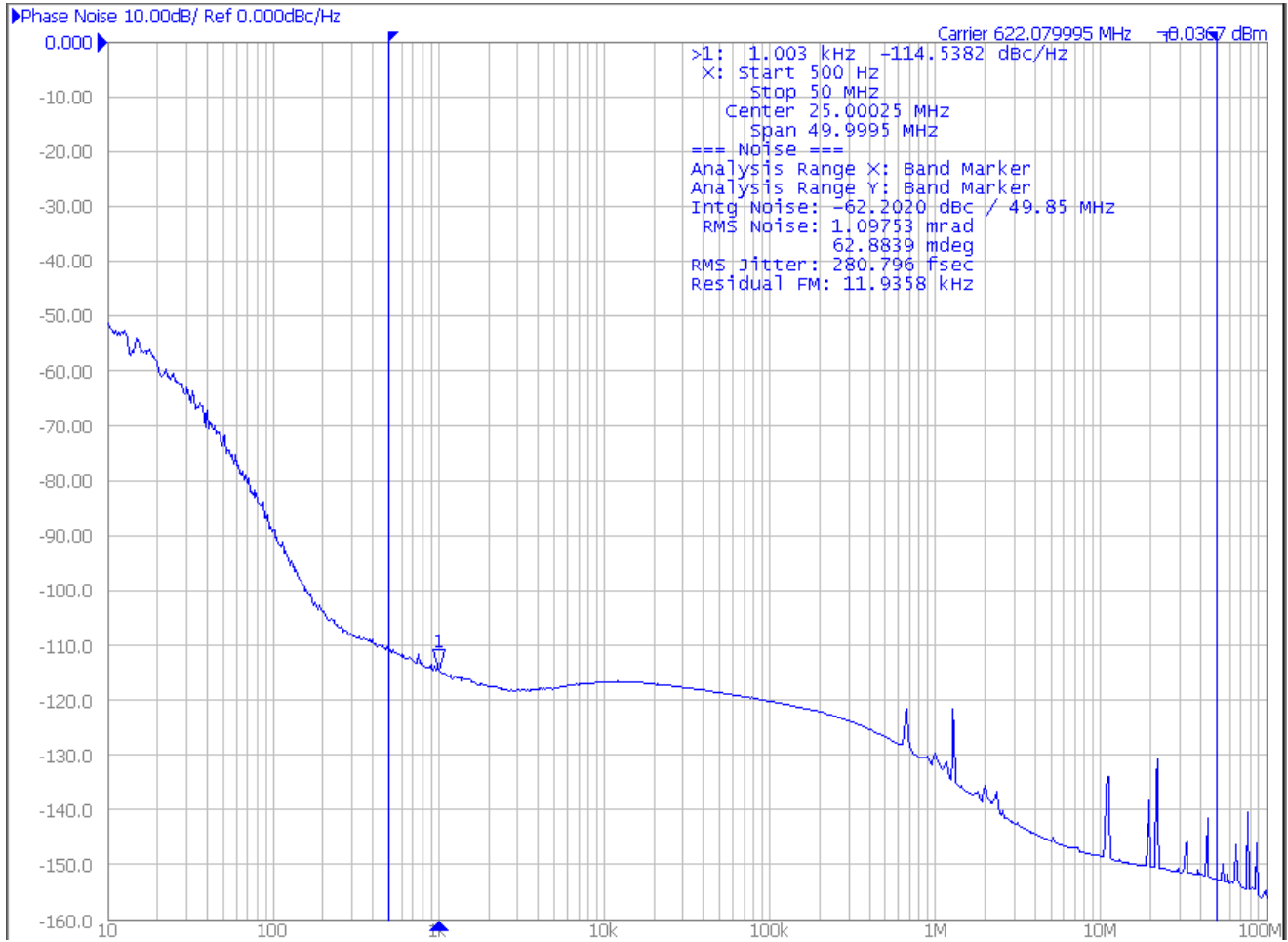


Figure 65. 155.52 MHz In; 622.08 MHz Out



**Figure 66. 155.52 MHz In; 622.08 MHz Out; Loop BW = 7 Hz, Si5324**

# Si53xx-RM

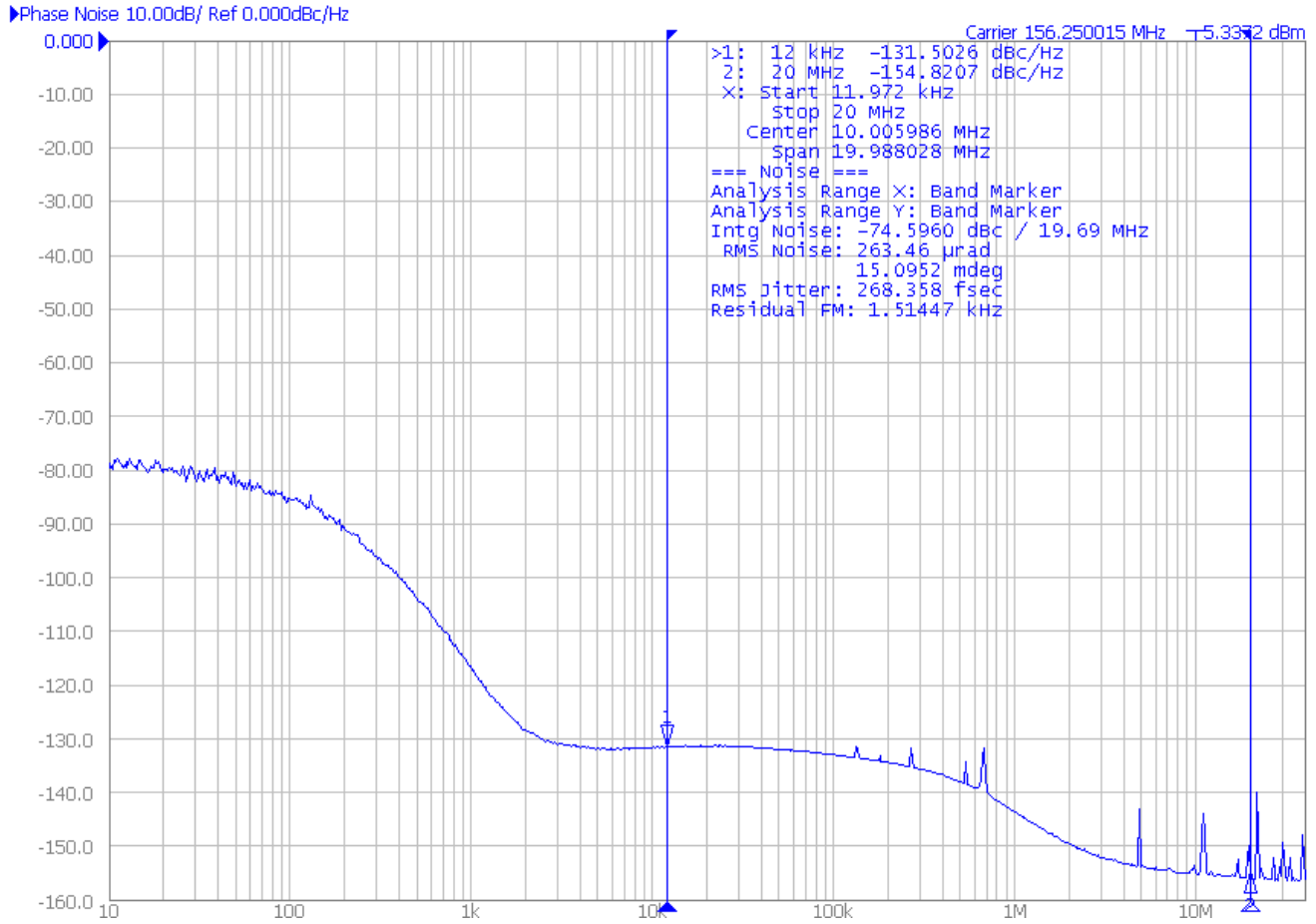


Figure 67. 19.44 MHz In; 156.25 MHz Out; Loop BW = 80 Hz



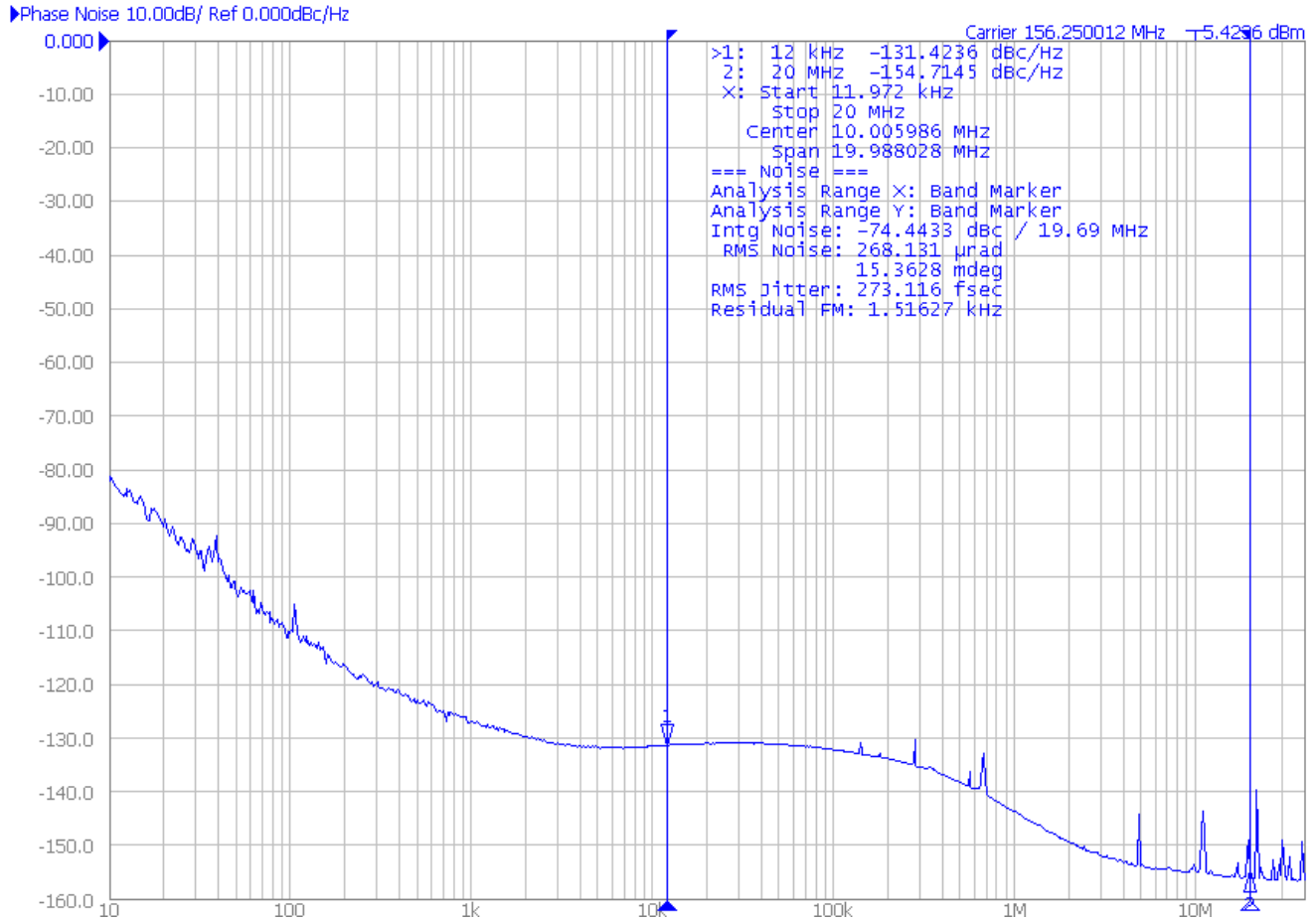


Figure 68. 19.44 MHz In; 156.25 MHz Out; Loop BW = 5 Hz, Si5324

# Si53xx-RM

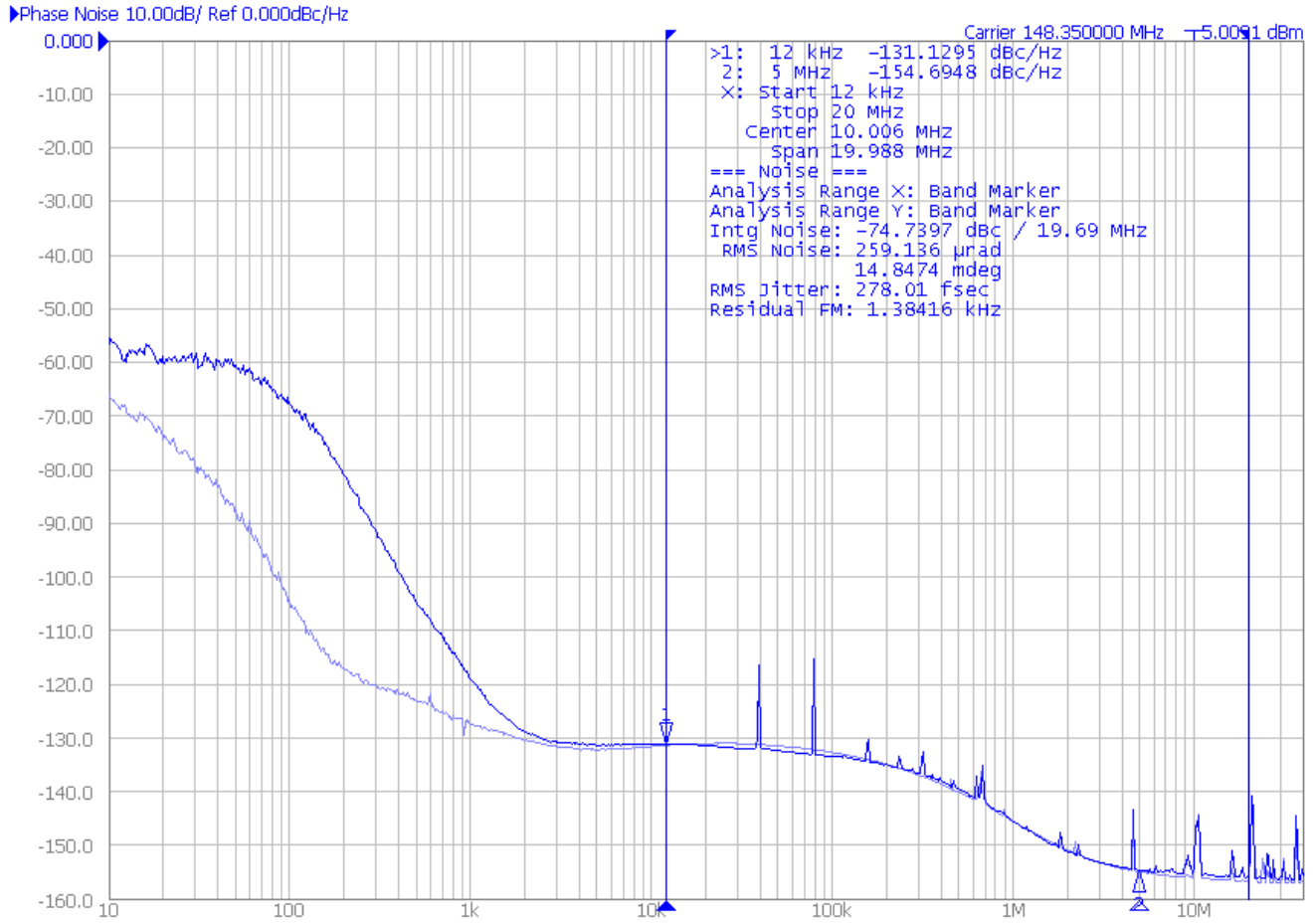


Figure 69. 27 MHz In; 148.35 MHz Out; Light Trace BW = 6 Hz; Dark Trace BW = 110 Hz, Si5324

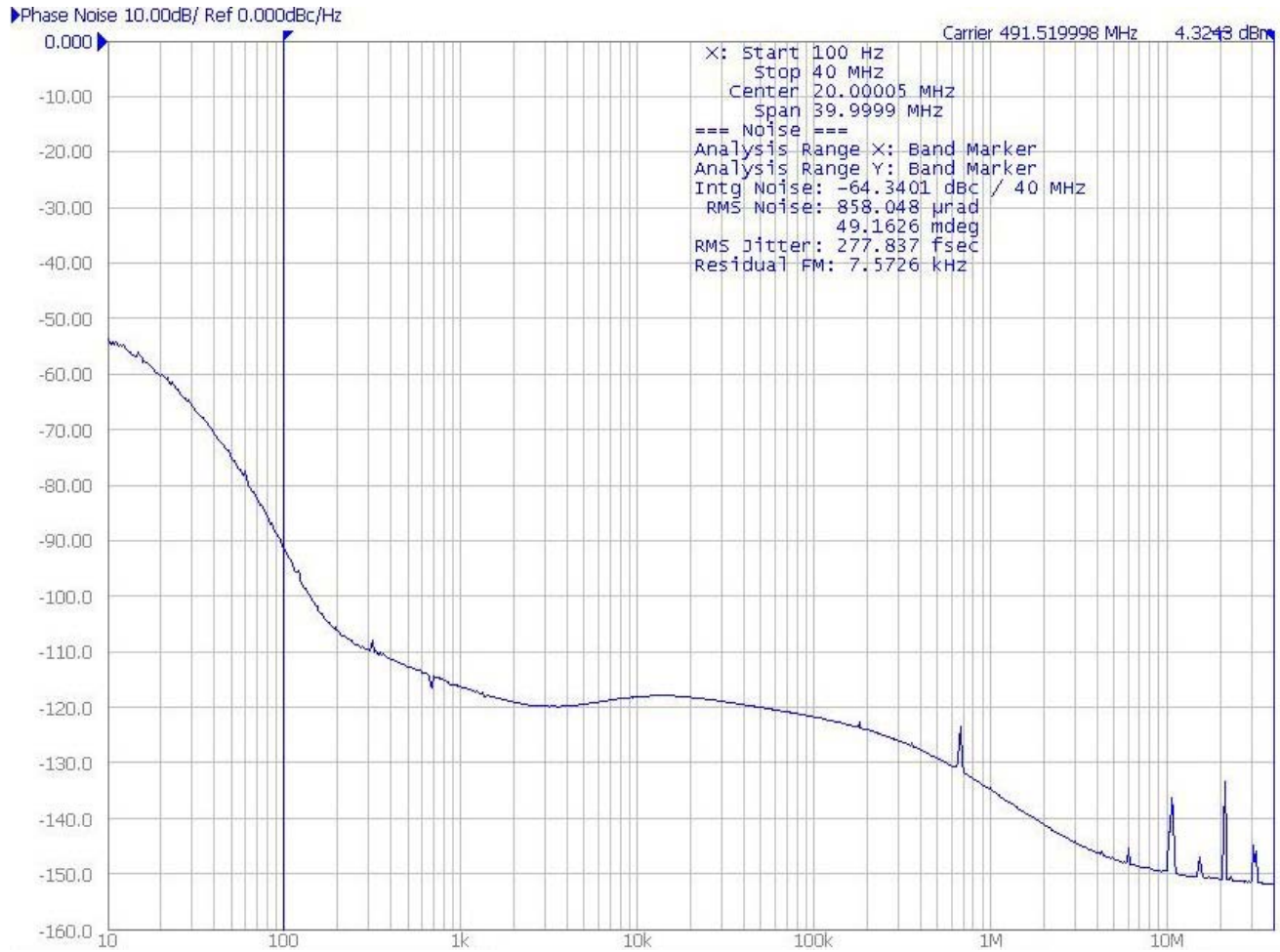


Figure 70. 61.44 MHz In; 491.52 MHz Out; Loop BW = 7 Hz, Si5324

# Si53xx-RM

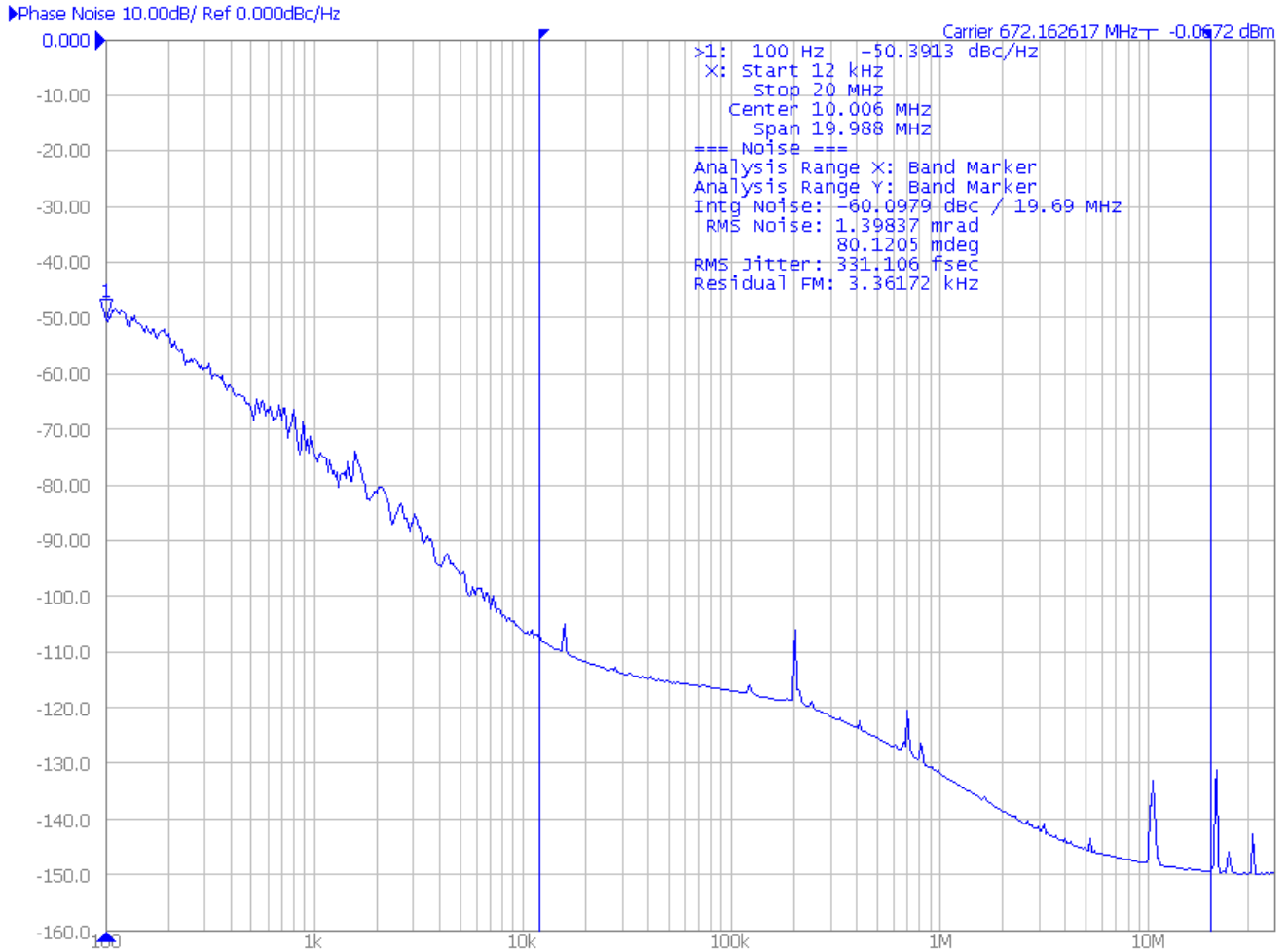


Figure 71. 622.08 MHz In; 672.16 MHz Out; Loop BW = 6.9 kHz

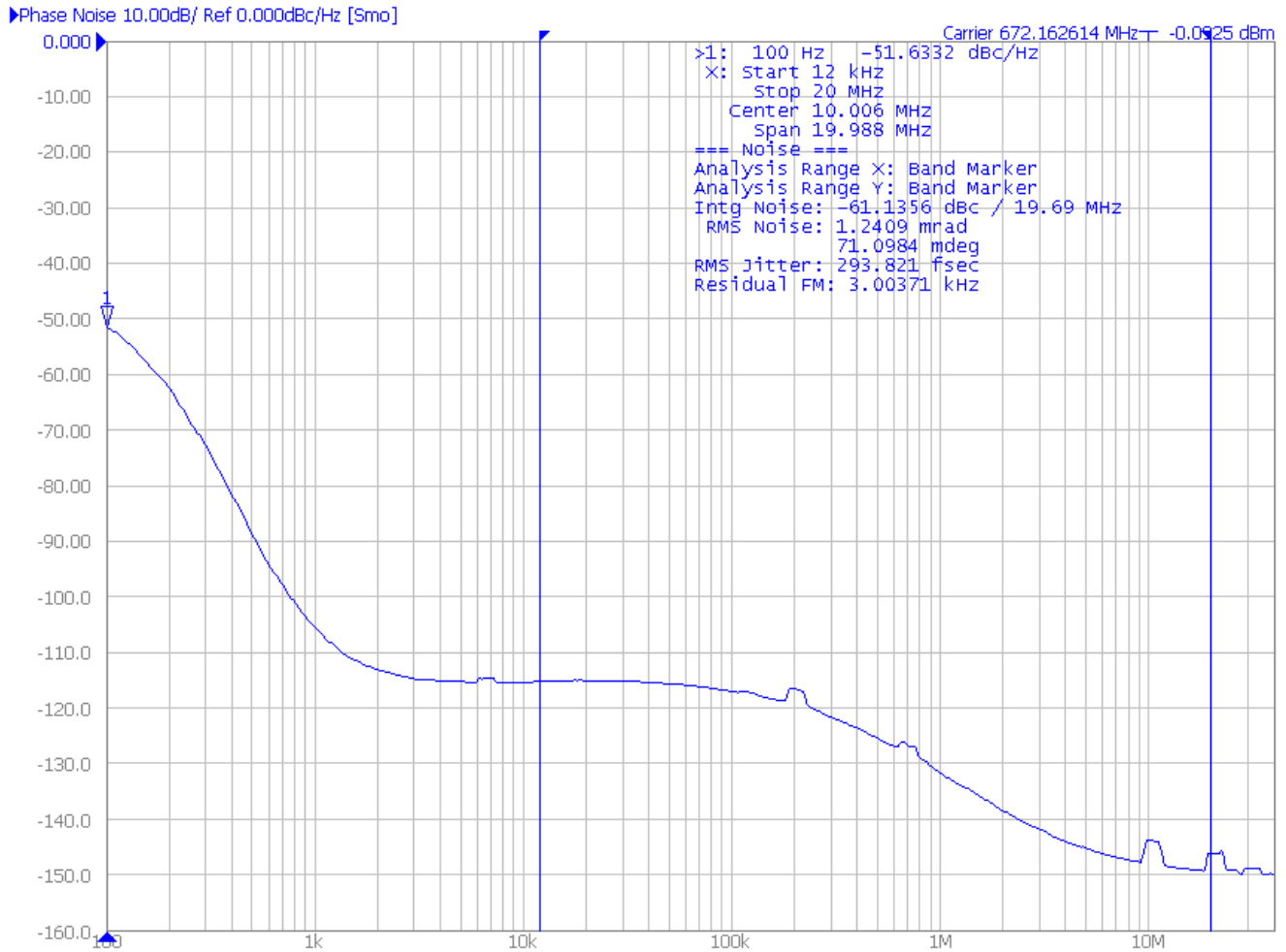


Figure 72. 622.08 MHz In; 672.16 MHz Out; Loop BW = 100 Hz

# Si53xx-RM

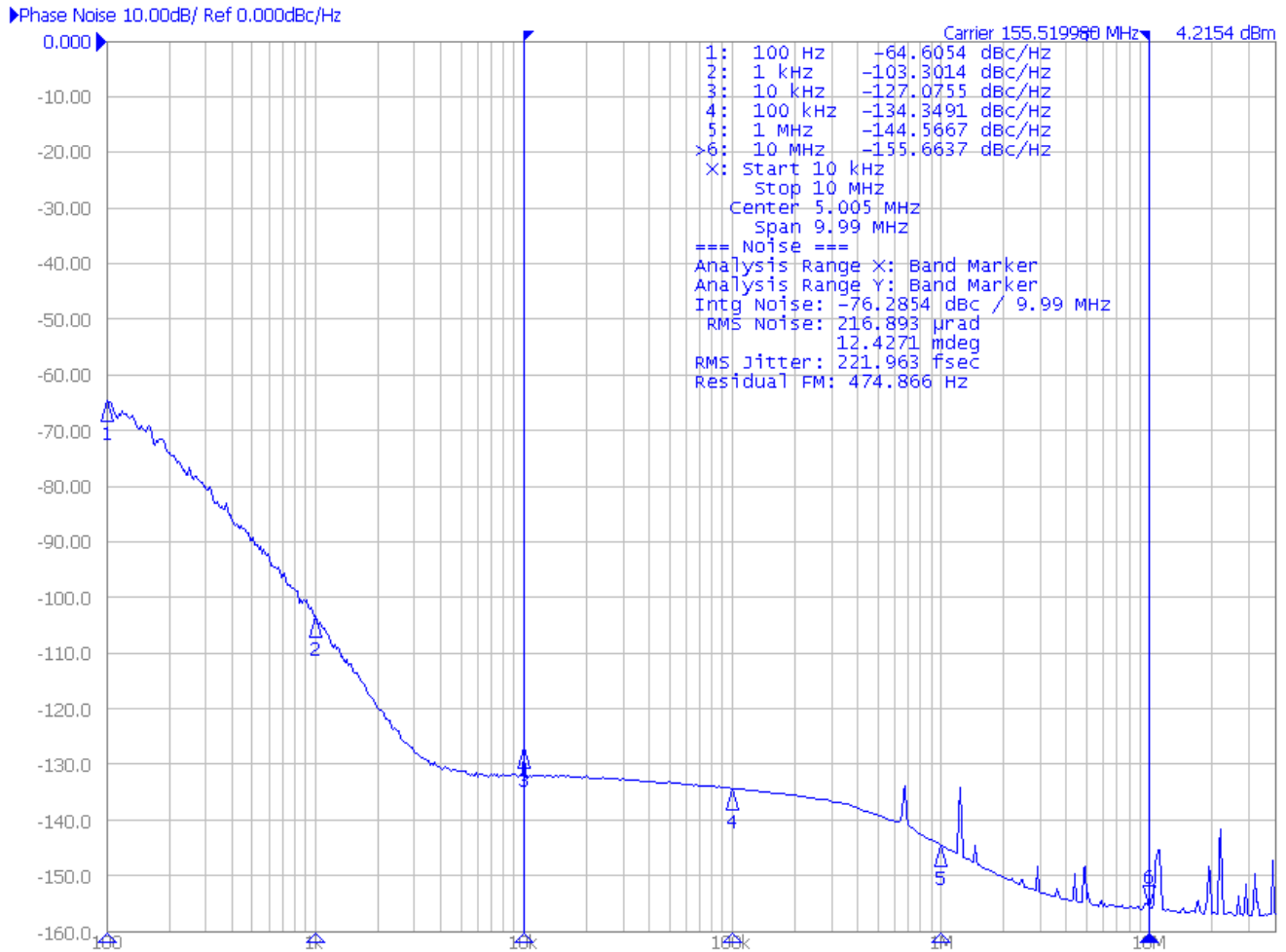
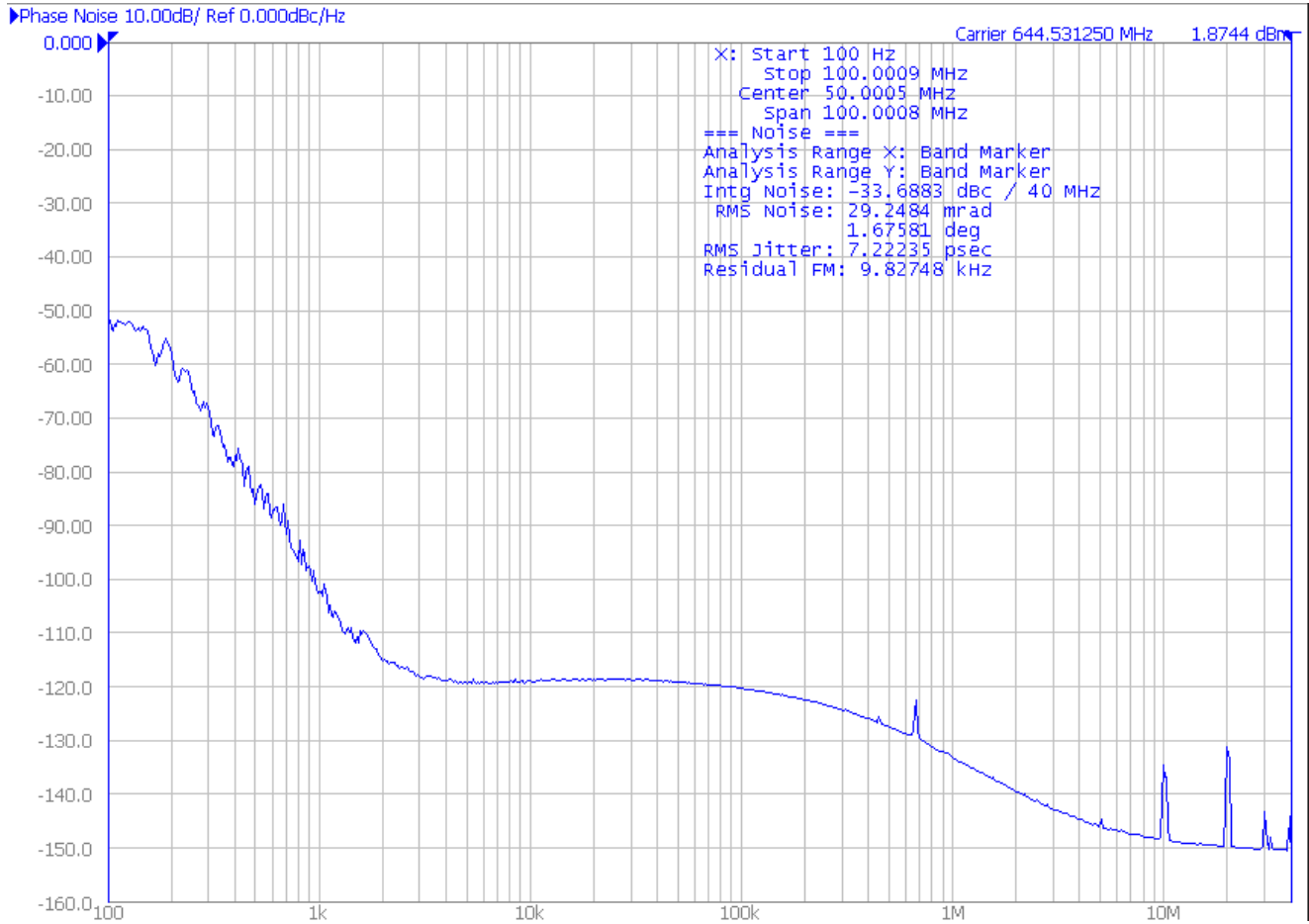


Figure 73. 156.25 MHz In; 155.52 MHz Out



**Figure 74. 78.125 MHz In; 644.531 MHz Out**

**Table 63. Jitter Values for Figure 74**

Jitter Bandwidth	644.531 MHz Jitter (RMS)
Broadband, 1 kHz to 10 MHz	223 fs
OC-48, 12 kHz to 20 MHz	246 fs
OC-192, 20 kHz to 80 MHz	244 fs
OC-192, 4 MHz to 80 MHz	120 fs
OC-192, 50 kHz to 80 MHz	234 fs
Broadband, 800 Hz to 80 MHz	248 fs

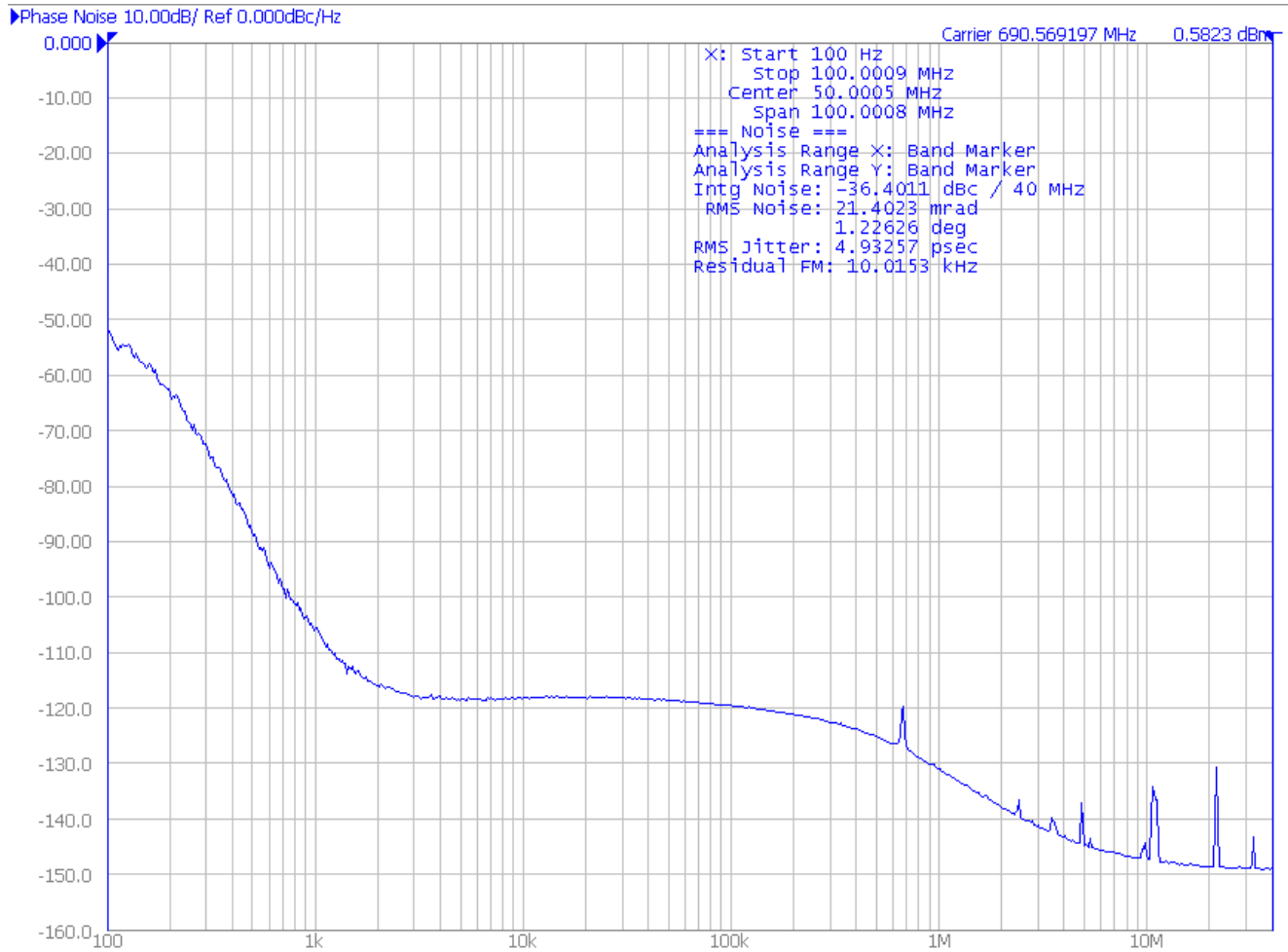
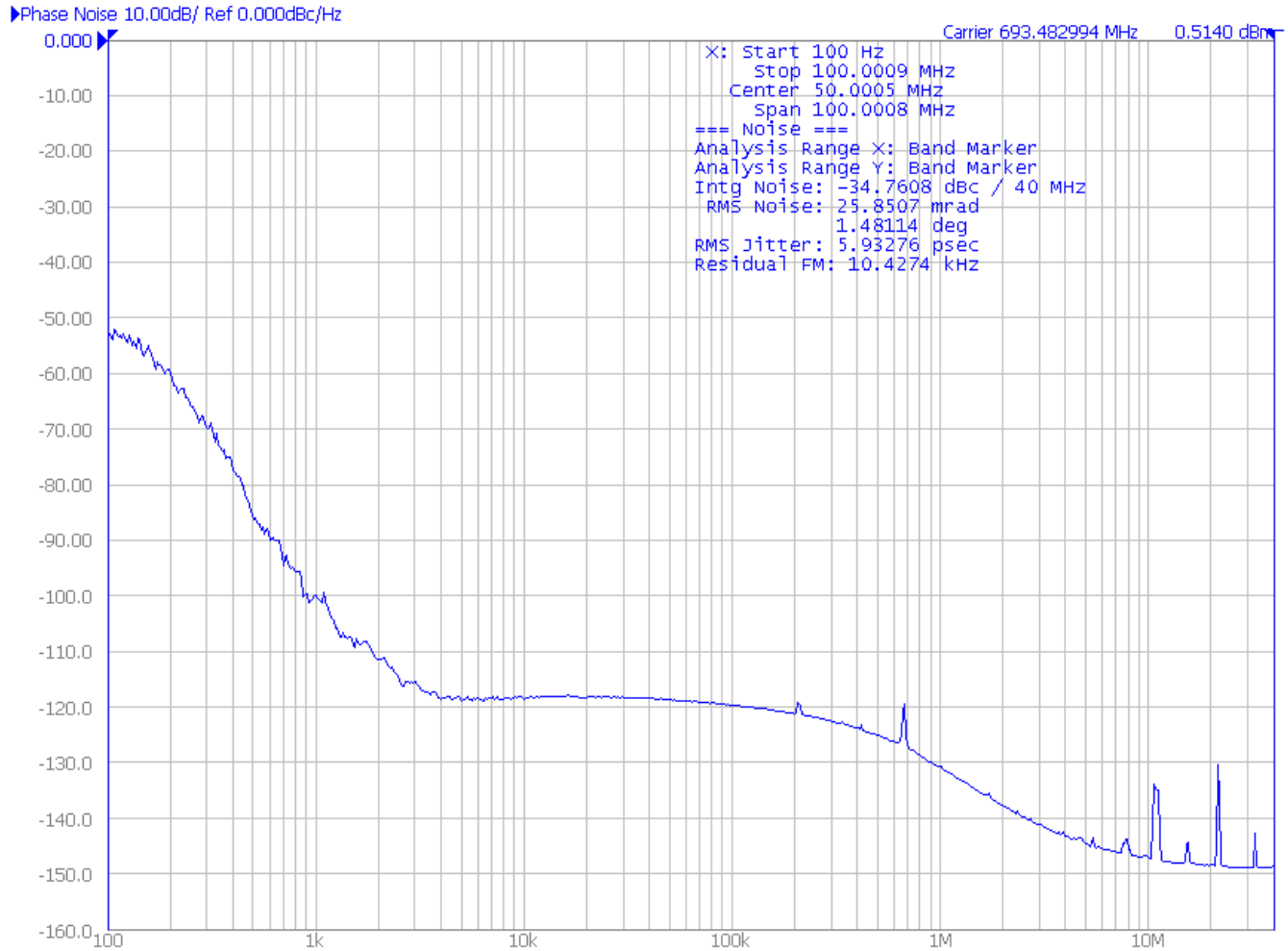


Figure 75. 78.125 MHz In; 690.569 MHz Out

Table 64. Jitter Values for Figure 75

Jitter Bandwidth	690.569 MHz Jitter (RMS)
Broadband, 1 kHz to 10 MHz	244 fs
OC-48, 12 kHz to 20 MHz	260 fs
OC-192, 20 kHz to 80 MHz	261 fs
OC-192, 4 MHz to 80 MHz	120 fs
OC-192, 50 kHz to 80 MHz	253 fs
Broadband, 800 Hz to 80 MHz	266 fs

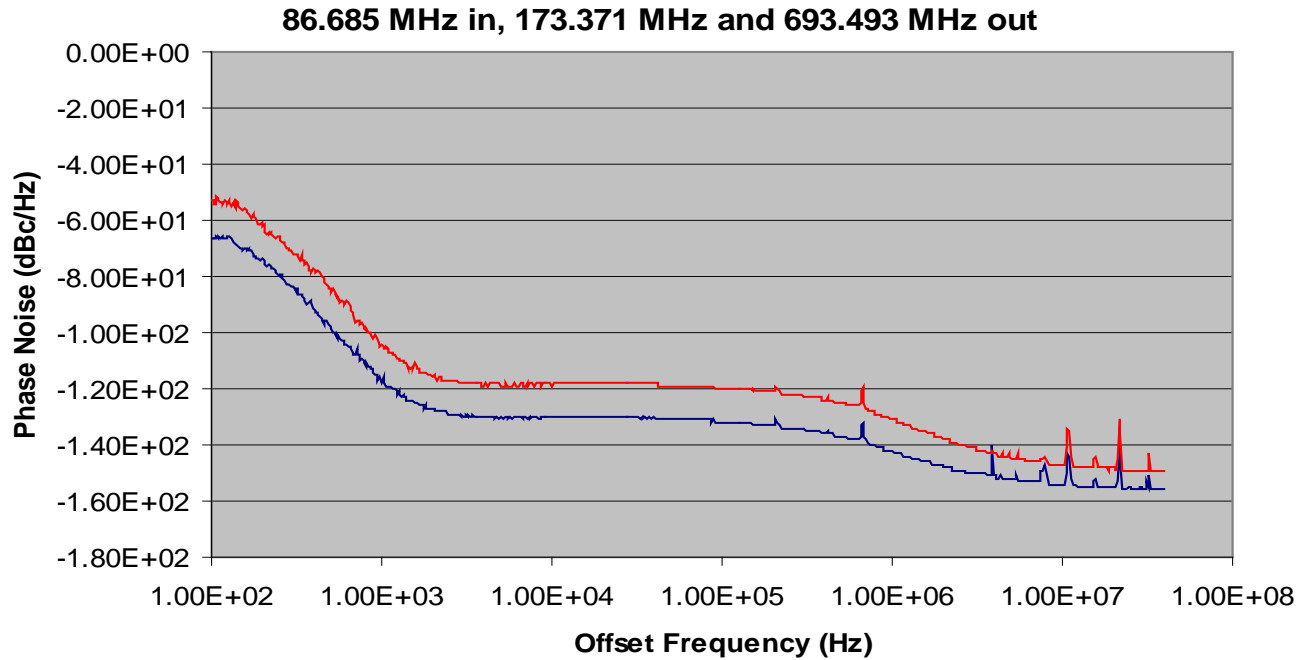




**Figure 76. 78.125 MHz In; 693.493 MHz Out**

**Table 65. Jitter Values for Figure 76**

Jitter Bandwidth	693.493 MHz Jitter (RMS)
Broadband, 1 kHz to 10 MHz	243 fs
OC-48, 12 kHz to 20 MHz	265 fs
OC-192, 20 kHz to 80 MHz	264 fs
OC-192, 4 MHz to 80 MHz	124 fs
OC-192, 50 kHz to 80 MHz	255 fs
Broadband, 800 Hz to 80 MHz	269 fs



**Figure 77. 86.685 MHz In; 173.371 MHz and 693.493 MHz Out**

**Table 66. Jitter Values for Figure 77**

Jitter Bandwidth	173.371 MHz Jitter (RMS)	693.493 MHz Jitter (RMS)
Broadband, 1 kHz to 10 MHz	262 fs	243 fs
OC-48, 12 kHz to 20 MHz	297 fs	265 fs
OC-192, 20 kHz to 80 MHz	309 fs	264 fs
OC-192, 4 MHz to 80 MHz	196 fs	124 fs
OC-192, 50 kHz to 80 MHz	301 fs	255 fs
Broadband, 800 Hz to 80 MHz	313 fs	269 fs

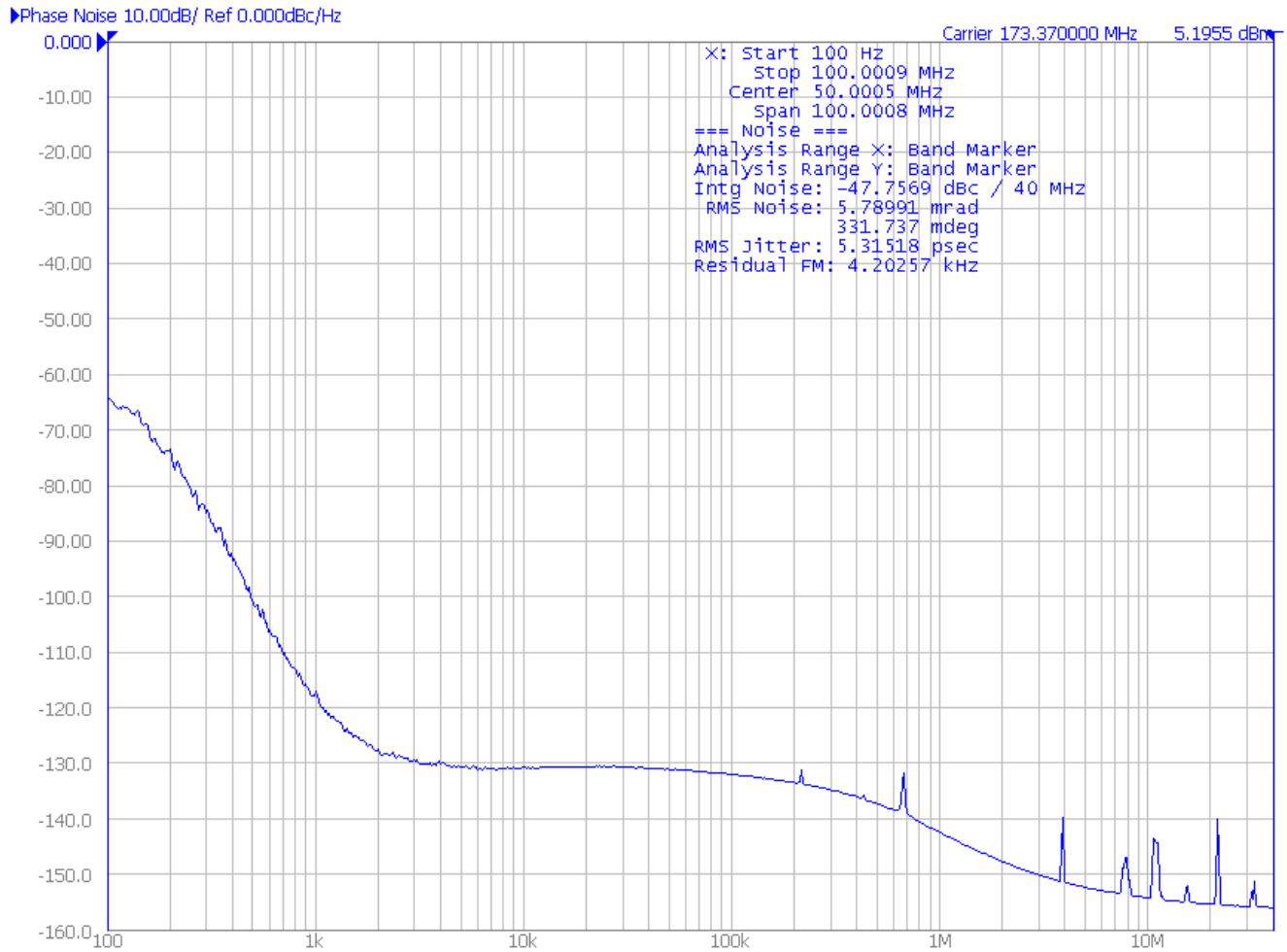


Figure 78. 86.685 MHz In; 173.371 MHz Out

# Si53xx-RM

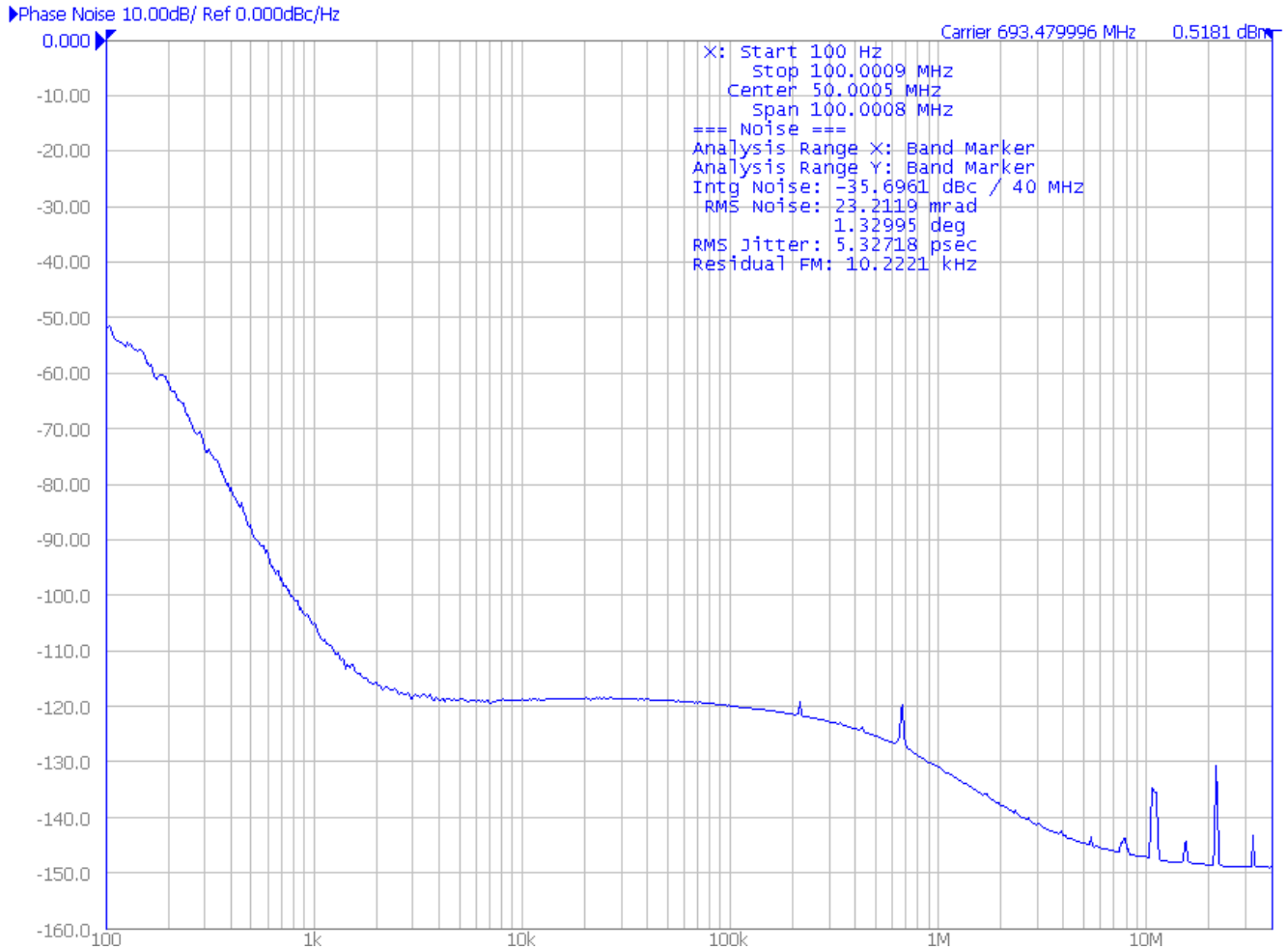
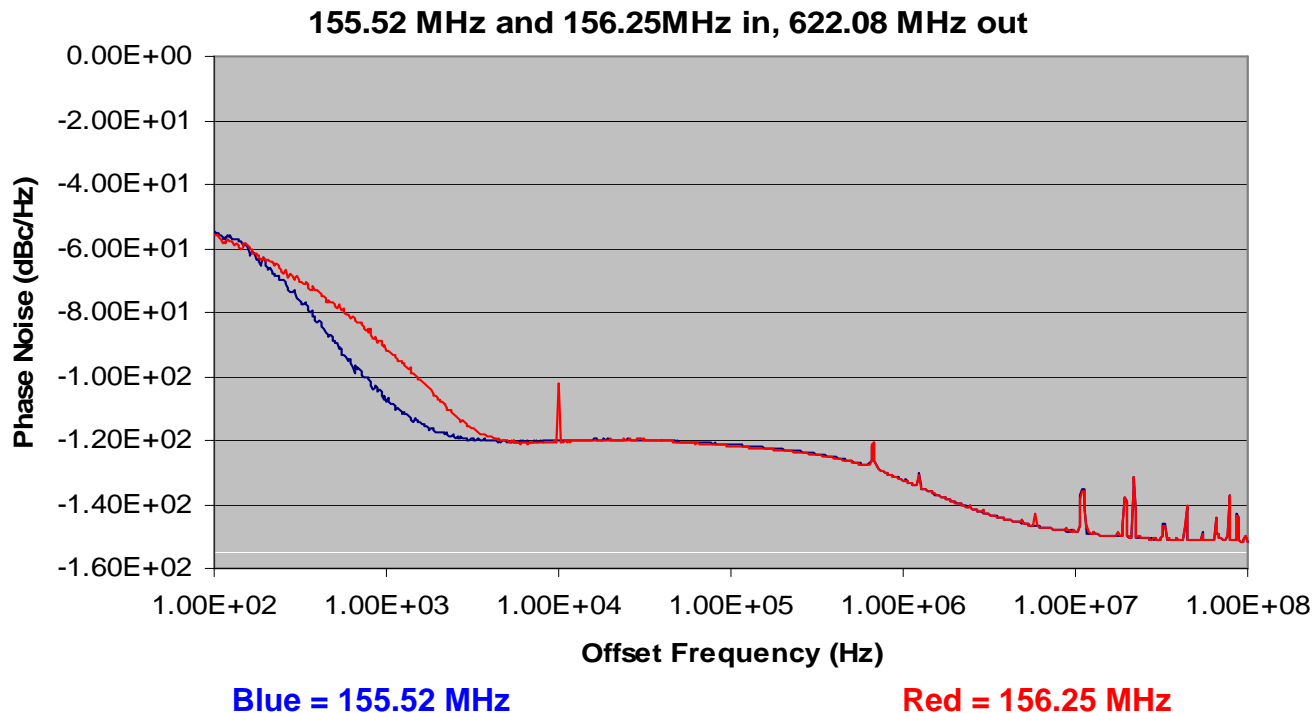


Figure 79. 86.685 MHz In; 693.493 MHz Out



**Figure 80. 155.52 MHz and 156.25 MHz In; 622.08 MHz Out**

**Table 67. Jitter Values for Figure 80**

Jitter Bandwidth	155.52 MHz Input Jitter (RMS)	156.25 MHz Input Jitter (RMS)
Broadband, 100 Hz to 10 MHz	4432 fs	4507 fs
OC-48, 12 kHz to 20 MHz	249 fs	251 fs
OC-192, 20 kHz to 80 MHz	274 fs	271 fs
OC-192, 4 MHz to 80 MHz	166 fs	164 fs
OC-192, 50 kHz to 80 MHz	267 fs	262 fs
Broadband, 800 Hz to 80 MHz	274 fs	363 fs

# Si53xx-RM

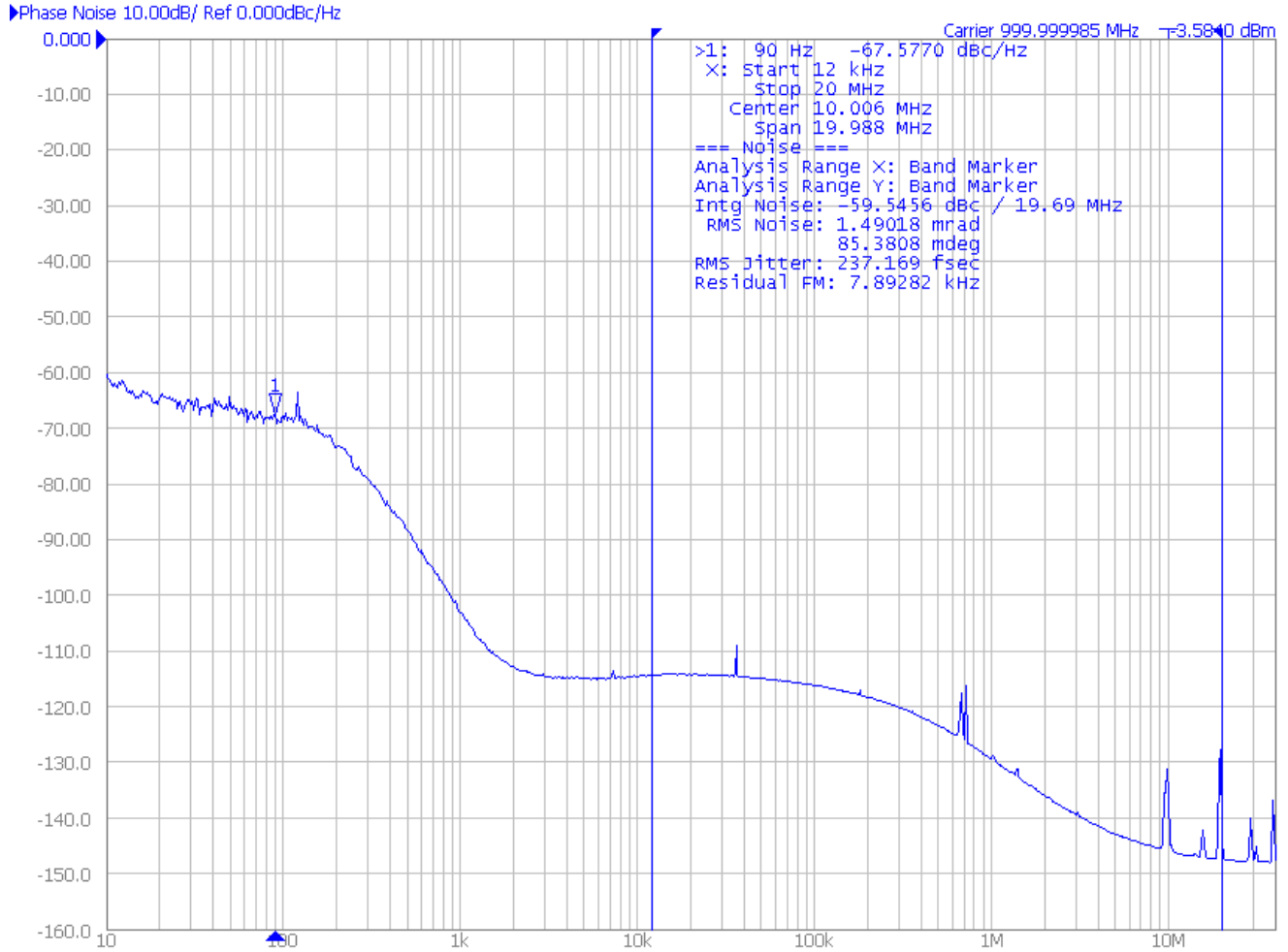
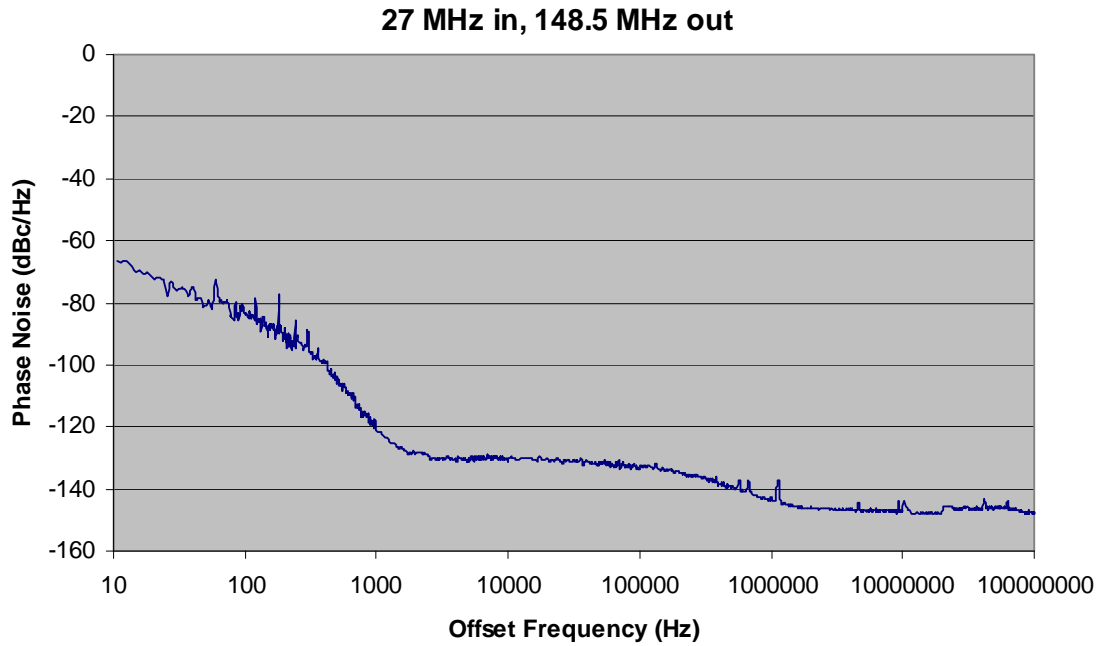


Figure 81. 10 MHz In; 1 GHz Out

## Digital Video (HD-SDI)



Jitter Band	Jitter
Brick Wall, 10 Hz to 20 MHz	2.42 ps, RMS
Peak-to-peak	14.0 ps

Phase noise equipment: Agilent model JS500.

## APPENDIX D—ALARM STRUCTURE

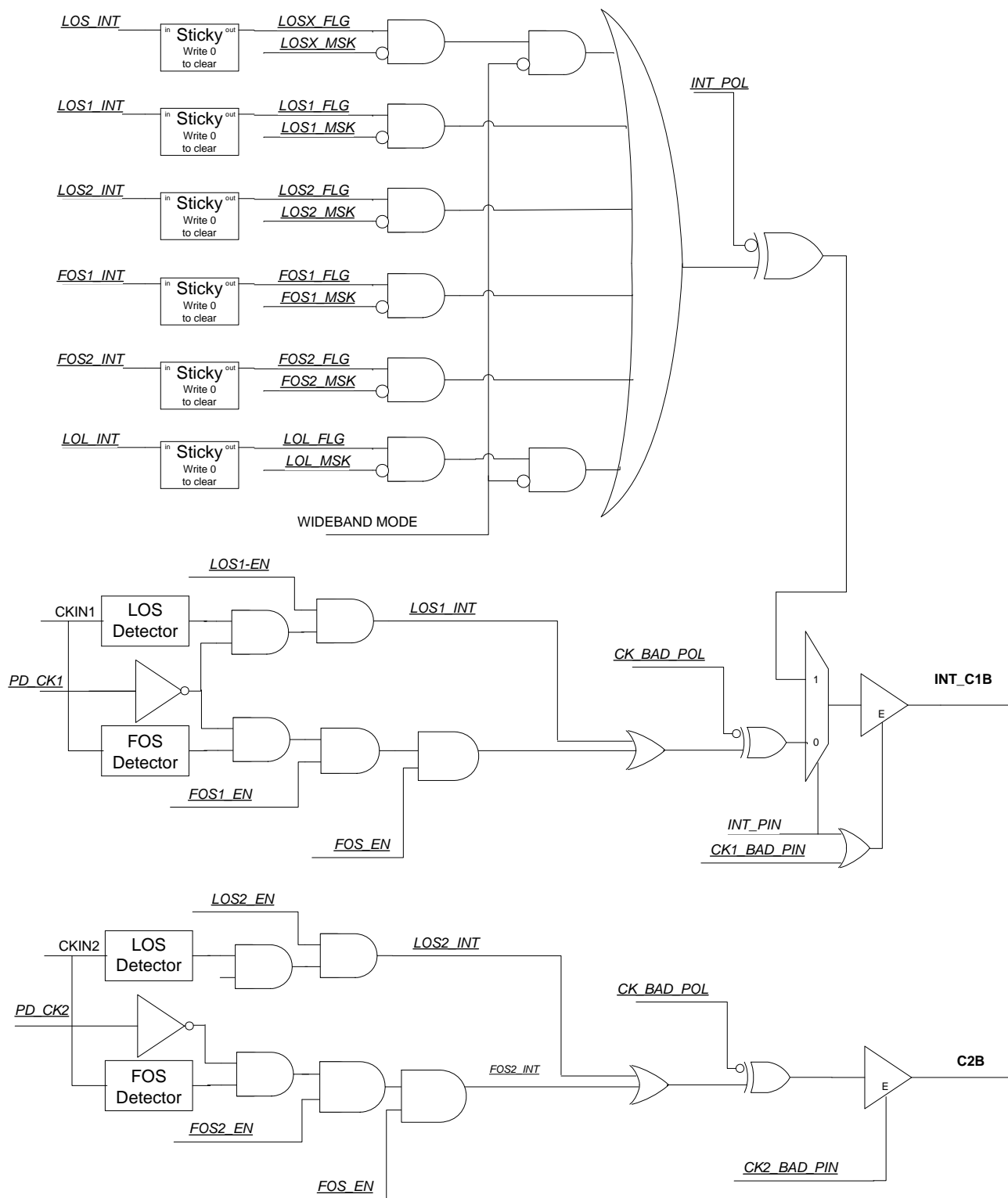


Figure 82. Si5324 and Si5326 Alarm Diagram



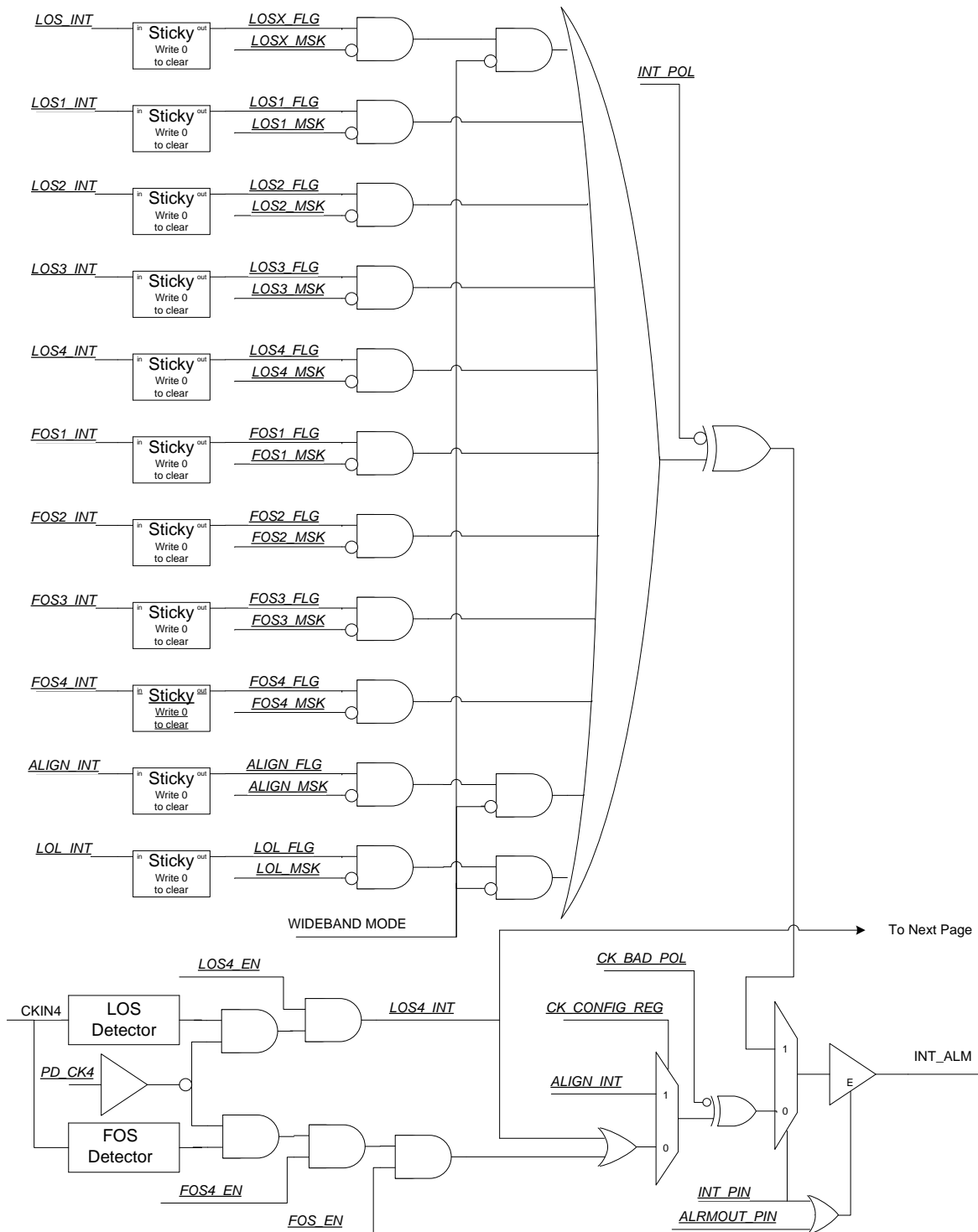


Figure 83. Si5368 Alarm Diagram (1 of 2)

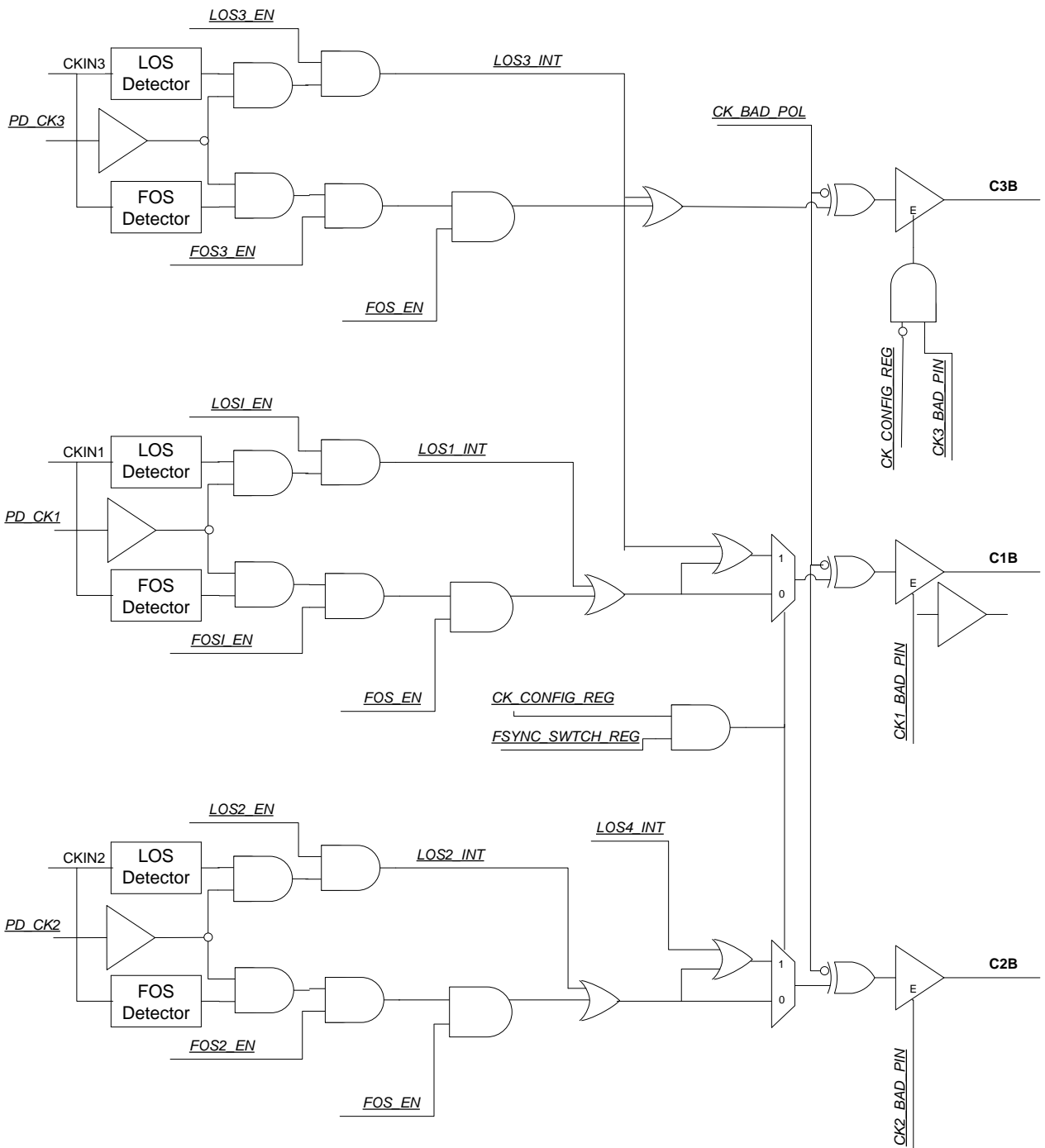


Figure 84. Si5368 Alarm Diagram (2 of 2)

## APPENDIX E—INTERNAL PULLUP, PULLDOWN BY PIN

Tables 68–79 show which 2-Level CMOS pins have pullups or pulldowns. Note the value of the pullup/pulldown resistor is typically 75 k $\Omega$ .

**Table 68. Si5316 Pullup/Down**

Pin #	Si5316	Pull?
1	$\overline{\text{RST}}$	U
11	RATE0	U, D
14	DBL2_BY	U, D
15	RATE1	U, D
21	CS	U, D
22	BWSEL0	U, D
23	BWSEL1	U, D
24	FRQSEL0	U, D
25	FRQSEL1	U, D
26	CK1DIV	U, D
27	CK2DIV	U, D
30	SFOUT1	U, D
33	SFOUT0	U, D

**Table 69. Si5322 Pullup/Down**

Pin #	Si5322	Pull?
1	$\overline{\text{RST}}$	U
2	FRQTBL	U, D
9	AUTOSEL	U, D
14	DBL2_BY	U, D
21	CS_CA	U, D
22	BWSEL0	U, D
23	BWSEL1	U, D
24	FRQSEL0	U, D
25	FRQSEL1	U, D
26	FRQSEL2	U, D
27	FRQSEL3	U, D
30	SFOUT1	U, D
33	SFOUT0	U, D

**Table 70. Si5323 Pullup/Down**

Pin #	Si5323	Pull?
1	$\overline{\text{RST}}$	U
2	FRQTBL	U, D
9	AUTOSEL	U, D
11	RATE0	U, D
14	DBL2_BY	U, D
15	RATE1	U, D
19	DEC	D
20	INC	D
21	CS_CA	U, D
22	BWSEL0	U, D
23	BWSEL1	U, D
24	FRQSEL0	U, D
25	FRQSEL1	U, D
26	FRQSEL2	U, D
27	FRQSEL3	U, D
30	SFOUT1	U, D
33	SFOUT0	U, D

**Table 71. Si5319, Si5324, Pullup/Down**

Pin #	Si5326	Pull?
1	$\overline{\text{RST}}$	U
11	RATE0	U, D
15	RATE1	U, D
21	CS_CA	U, D
22	SCL	D
24	A0	D
25	A1	D
26	A2_SS	D
27	SDI	D
36	CMODE	U, D

**Table 72. Si5325 Pullup/Down**

Pin #	Si5325	Pull?
1	$\overline{\text{RST}}$	U
21	CS_CA	U, D
22	SCL	D
24	A0	D
25	A1	D
26	A2_SS	D
27	SDI	D
36	CMODE	U, D

**Table 73. Si5326 Pullup/Down**

Pin #	Si5326	Pull?
1	$\overline{\text{RST}}$	U
11	RATE0	U, D
15	RATE1	U, D
19	DEC	D
20	INC	D
21	CS_CA	U, D
22	SCL	D
24	A0	D
25	A1	D
26	A2_SS	D
27	SDI	D
36	CMODE	U, D

**Table 74. Si5327 Pullup/Down**

Pin #	Si5327	Pull?
1	$\overline{\text{RST}}$	U
11	RATE0	U, D
15	RATE1	U, D
21	CS	U, D
22	SCL	D
24	A0	D
25	A1	D
26	A2_SS	D
27	SDI	D
36	CMODE	U, D

**Table 75. Si5365 Pullup/Down**

Pin #	Si5365	Pull?
3	$\overline{\text{RST}}$	U
4	FRQTBL	U, D
13	CS0_C3A	D
22	AUTOSEL	U, D
37	DBL2_BY	U, D
50	DSBL5	U, D
57	CS1_C4A	U, D
60	BWSEL0	U, D
61	BWSEL1	U, D
66	DIV34_0	U, D
67	DIV34_1	U, D
68	FRQSEL0	U, D
69	FRQSEL1	U, D
70	FRQSEL2	U, D
71	FRQSEL3	U, D
80	SFOUT1	U, D
85	DBL34	U
95	SFOUT0	U, D

Table 76. Si5366 Pullup/Down

Pin #	Si5366	Pull?
3	$\overline{\text{RST}}$	U
4	FRQTBL	U, D
13	CS0_C3A	D
20	FS_SW	D
21	FS_ALIGN	D
22	AUTOSEL	U, D
32	RATE0	U, D
37	DBL2_BY	U, D
42	RATE1	U, D
50	DBL_FS	U, D
51	CK_CONF	D
54	DEC	D
55	INC	D
56	FOS_CTL	U, D
57	CS1_C4A	U, D
60	BWSEL0	U, D
61	BWSEL1	U, D
66	DIV34_0	U, D
67	DIV34_1	U, D
68	FRQSEL0	U, D
69	FRQSEL1	U, D
70	FRQSEL2	U, D
71	FRQSEL3	U, D
80	SFOUT1	U, D
85	DSBL34	U
95	SFOUT0	U, D

**Table 77. Si5367 Pullup/Down**

Pin #	Si5367	Pull?
3	$\overline{\text{RST}}$	U
13	CS0_C3A	D
57	CS1_C4A	U, D
60	SCL	D
68	A0	D
69	A1	D
70	A2_SSB	D
71	SDI	D
90	CMODE	U, D

**Table 78. Si5368 Pullup/Down**

Pin #	Si5368	Pull?
3	$\overline{\text{RST}}$	U
13	CS0_C3A	D
21	FS_ALIGN	D
32	RATE0	U, D
42	RATE1	U, D
54	DEC	D
55	INC	D
57	CS1_C4A	U, D
60	SCL	D
68	A0	D
69	A1	D
70	A2_SSB	D
71	SDI	D
90	CMODE	U, D



Table 79. Si5369 Pullup/Down

Pin #	Si5368	Pull?
3	$\overline{\text{RST}}$	U
13	CS0_C3A	D
21	FS_ALIGN	D
32	RATE0	U, D
42	RATE1	U, D
57	CS1_C4A	U, D
60	SCL	D
68	A0	D
69	A1	D
70	A2_SSB	D
71	SDI	D
90	CMODE	U, D

Table 80. Si5374/75 Pullup/Down

Pin #	Si5374/75	Pull?
D4	RSTL_A	U
D6	RSTL_B	U
F6	RSTL_C	U
F4	RSTL_D	U
D1	CS_CA_A	U/D
A6	CS_CA_B	U/D
F9	CS_CA_C	U/D
J4	CS_CA_A	U/D
G5	SCL	D

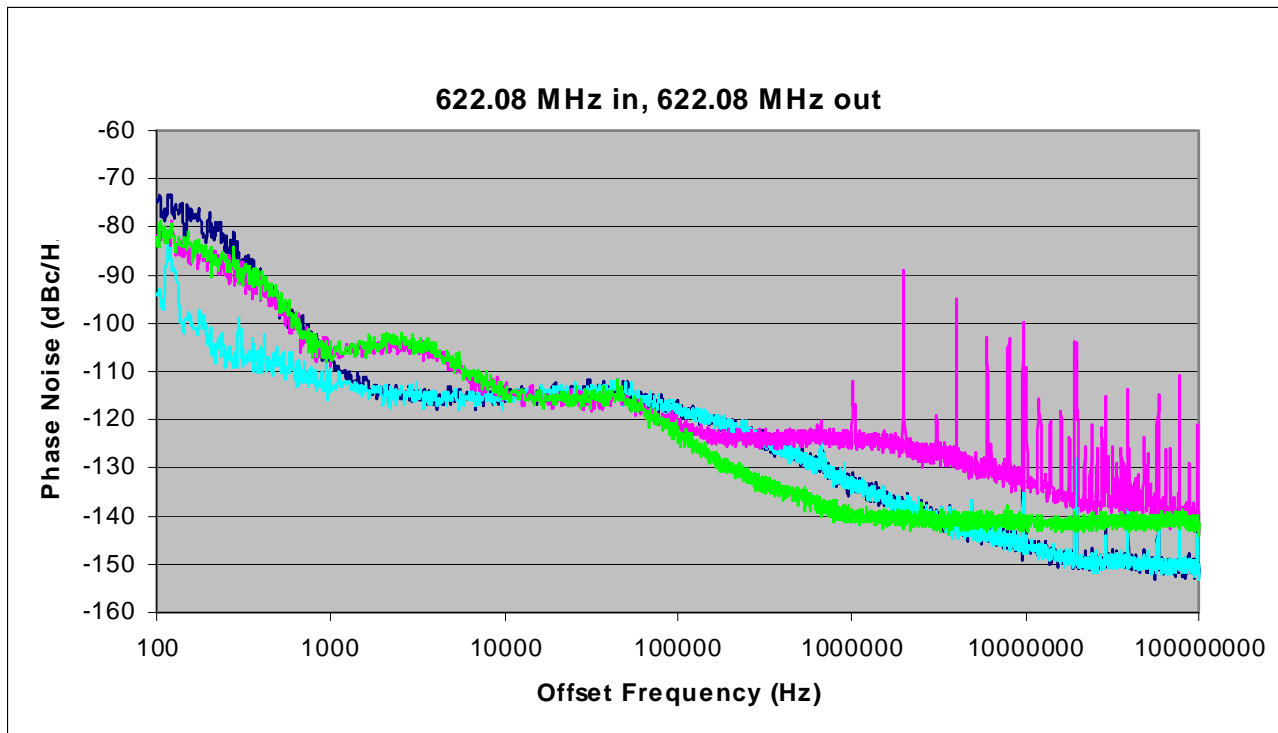
# Si53xx-RM

## APPENDIX F—TYPICAL PERFORMANCE: BYPASS MODE, PSRR, CROSSTALK, OUTPUT FORMAT JITTER

This appendix is divided into the following four sections:

- Bypass Mode Performance
- Power Supply Noise Rejection
- Crosstalk
- Output Format Jitter

### Bypass: 622.08 MHz In, 622.08 MHz Out

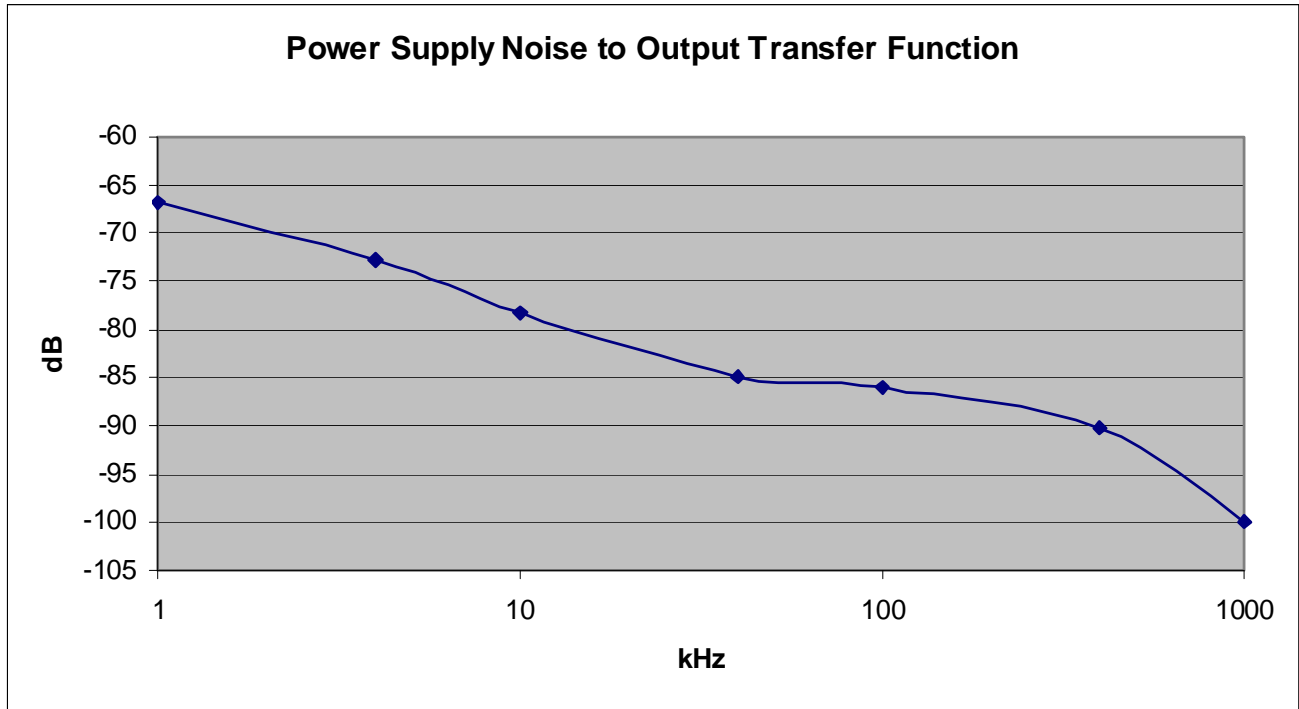


Dark blue — normal, locked  
Light blue — digital hold

Pink — bypass  
Green — Marconi RF generator

	Normal, Locked	In Digital Hold	In Bypass	Marconi RF Source
<b>Jitter Bandwidth</b>	<b>Jitter (RMS)</b>	<b>Jitter (RMS)</b>	<b>Jitter (RMS)</b>	<b>Jitter (RMS)</b>
Broadband, 1000 Hz to 10 MHz	296 fs	294 fs	2,426 fs	249 fs
OC-48, 12 kHz to 20 MHz	303 fs	304 fs	2,281 fs	236 fs
OC-192, 20 kHz to 80 MHz	321 fs	319 fs	3,079fs	352 fs
OC-192, 4 MHz to 80 MHz	169 fs	165 fs	2,621 fs	305 fs
OC-192, 50 kHz to 80 MHz	304 fs	303 fs	3,078 fs	340 fs
Broadband, 800 Hz to 80 MHz	329 fs	325 fs	3,076 fs	370 fs

Power Supply Noise Rejection



38.88 MHz in, 155.52 MHz out; Bandwidth = 110 Hz

# Si53xx-RM

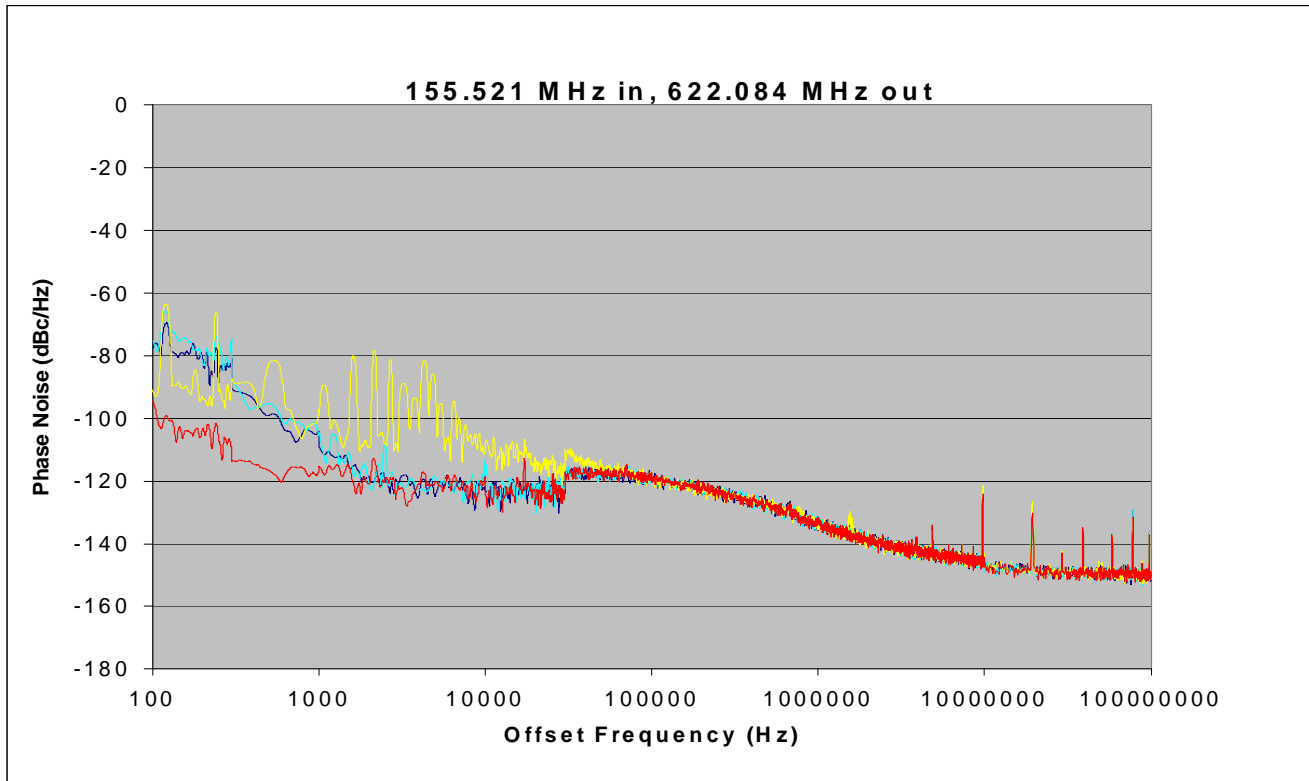
## Clock Input Crosstalk Results: Test Conditions

Jitter Band	155.52 MHz in, 622 MHz out, For reference, No crosstalk	155.521 MHz in, 622.084 MHz out, No crosstalk	155.521 MHz in, 622.084 MHz out, 155.52 MHz Xtalk, 99 Hz loop Bandwidth	155.521 MHz in, 622.084 MHz out, 155.52 MHz Xtalk, 6.72 kHz loop Bandwidth	155.521 MHz in, 622.084 MHz out, 155.52 MHz Xtalk, In digital hold
OC-48, 12 kHz to 20 MHz	262 fs	262 fs	269 fs	422 fs	255 fs
OC-192, 20 kHz to 80 MHz	287 fs	290 fs	296 fs	366 fs	280 fs
Broadband, 800 Hz to 80 MHz	285 fs	289 fs	298 fs	1,010 fs	277 fs

**Measurement conditions:**

1. Using Si5365/66-EVB.
2. Clock input on CKIN1, a 0dBm sine wave from Rohde and Schwarz RF Generator, model SML03
3. Crosstalk interfering signal applied to CKIN3, a PECL output at 155.52 MHz
4. All differential, AC coupled signals

## Clock Input Crosstalk: Phase Noise Plots



Dark blue — No crosstalk

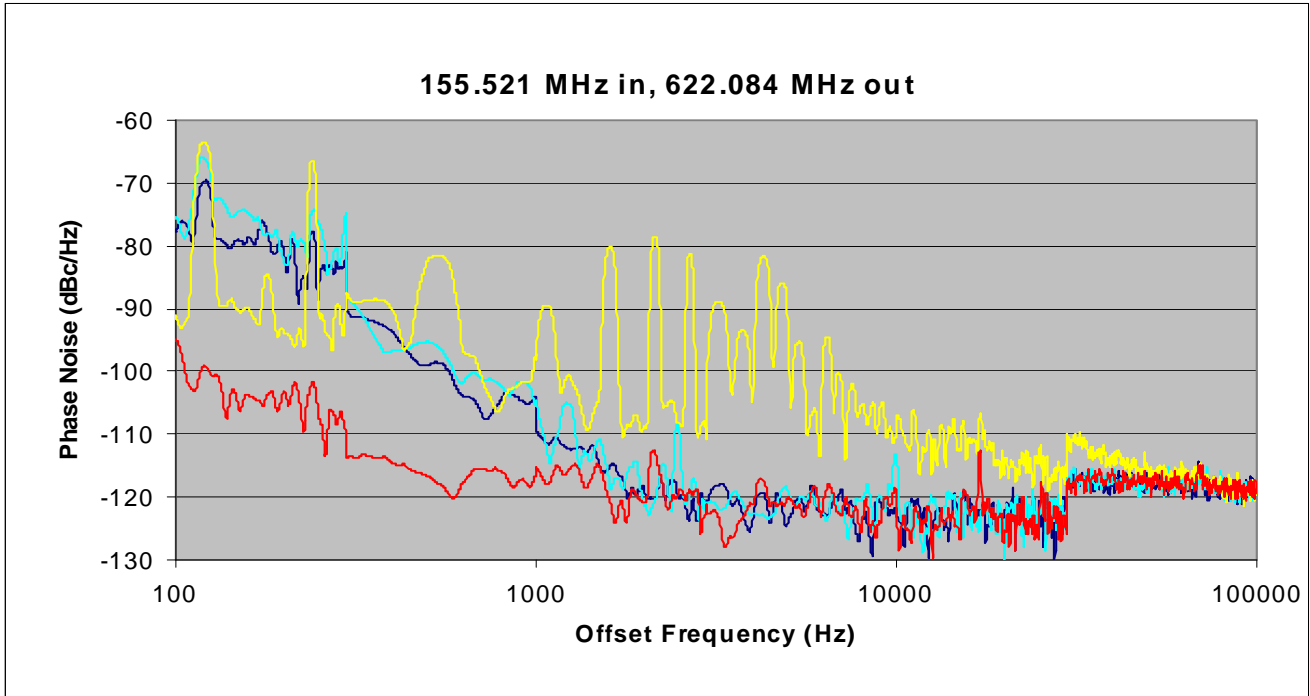
Light blue — With crosstalk, low bandwidth

Yellow — With crosstalk, high bandwidth

Red — With crosstalk, in digital hold

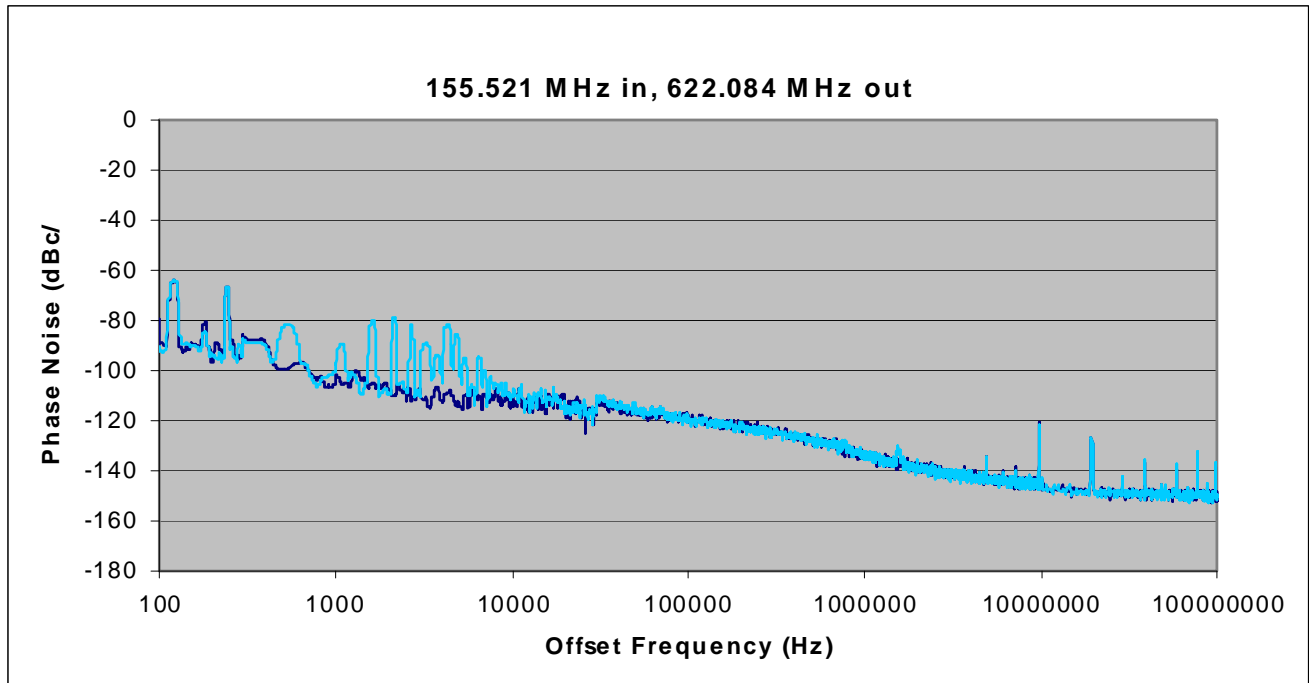
# Si53xx-RM

## Clock Input Crosstalk: Detail View



- Dark blue — No crosstalk
- Light blue — With crosstalk, low bandwidth
- Yellow — With crosstalk, high bandwidth
- Red — With crosstalk, in digital hold

## Clock Input Crosstalk: Wideband Comparison



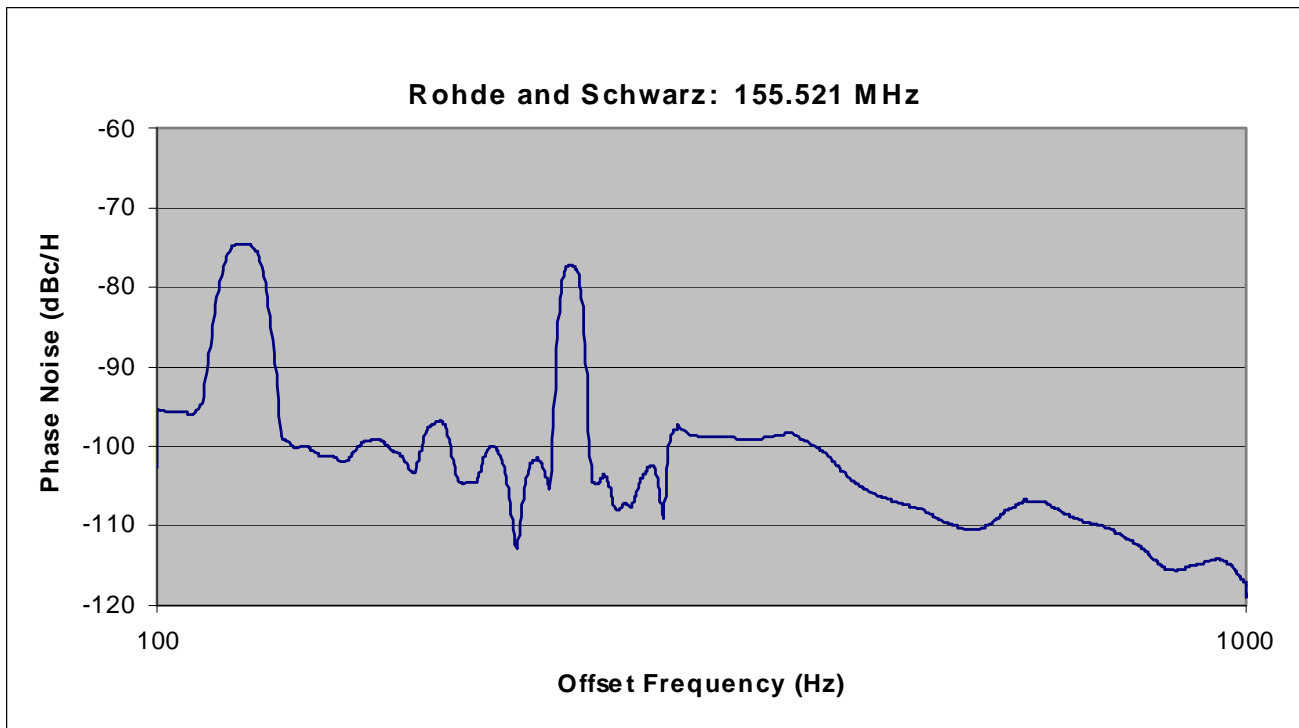
Dark blue — Bandwidth = 6.72 kHz; no Xtalk

Light blue — Bandwidth = 6.72 kHz; with Xtalk

Jitter Band	Jitter, w/ Xtlk	Jitter, no Xtlk
OC-48, 12 kHz to 20 MHz	303 fs RMS	422 fs RMS
OC-192, 20 kHz to 80 MHz	316 fs RMS	366 fs RMS
Broadband, 800 Hz to 80 MHz	340 fs RMS	1,010 fs RMS

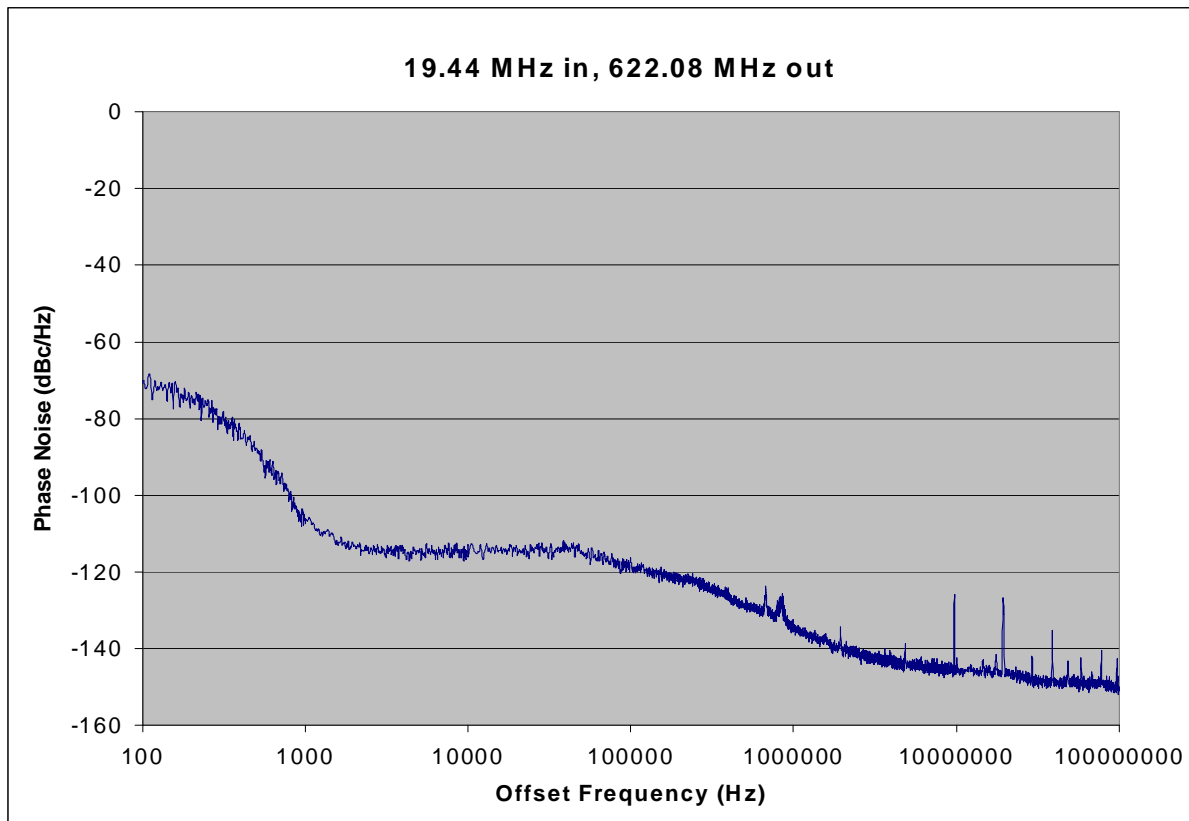
# Si53xx-RM

## Clock Input Crosstalk: Output of Rohde and Schwartz RF





## Jitter vs. Output Format: 19.44 MHz In, 622.08 MHz Out



## Spectrum Analyzer: Agilent Model E4440A

Table 81. Output Format vs. Jitter

Bandwidth	LVPECL Jitter (RMS)	LVDS Jitter (RMS)	CML Jitter (RMS)	Low Swing LVDS Jitter (RMS)
Broadband, 1 kHz to 10 MHz	282 fs	269 fs	257 fs	261 fs
OC-48, 12 kHz to 20 MHz	297 fs	289 fs	290 fs	291 fs
OC-192, 20 kHz to 80 MHz	315 fs	327 fs	358 fs	362 fs
OC-192, 4 MHz to 80 MHz	180 fs	222 fs	277 fs	281 fs
OC-192, 50 kHz to 80 MHz	299 fs	313 fs	348 fs	351 fs
Broadband, 800 Hz to 80 MHz	325 fs	332 fs	357 fs	360 fs

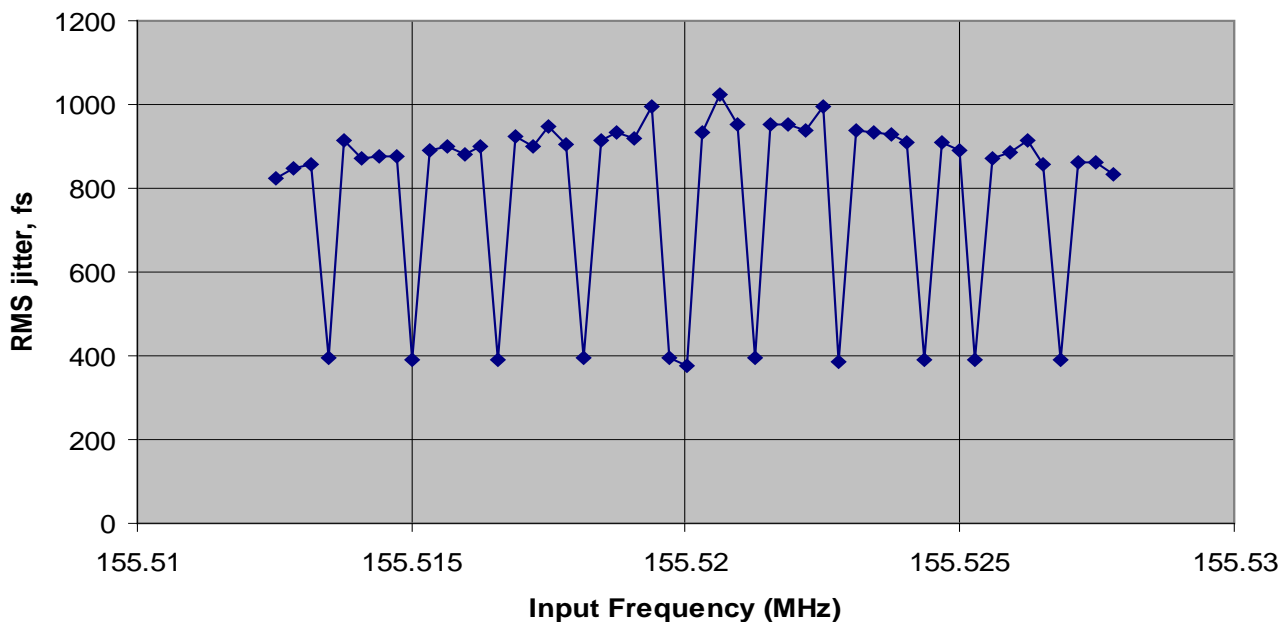
## APPENDIX G—NEAR INTEGER RATIOS

To provide more details and to provide boundaries with respect to the “Reference vs. Output Frequency” issue described in Appendix B on page 121, the following study was performed and is presented below.

### Test Conditions

- XA/XB External Reference held constant at 38.88 MHz
- Input frequency centered at 155.52 MHz, then scanned.  
Scan Ranges and Resolutions:
  - $\pm 50$  ppm with 2 ppm steps
  - $\pm 200$  ppm with 10 ppm steps
  - $\pm 2000$  ppm with 50 ppm steps
- Output frequency always exactly four times the input frequency
  - Centered at 622.08 MHz
- Jitter values are RMS, integrated from 800 Hz to 80 MHz

### 38.88 MHz External XA-XB Reference



Input Frequency Variation =  $\pm 50$  ppm

Figure 85.  $\pm 50$  ppm, 2 ppm Steps

38.88 MHz External XA-XB Reference

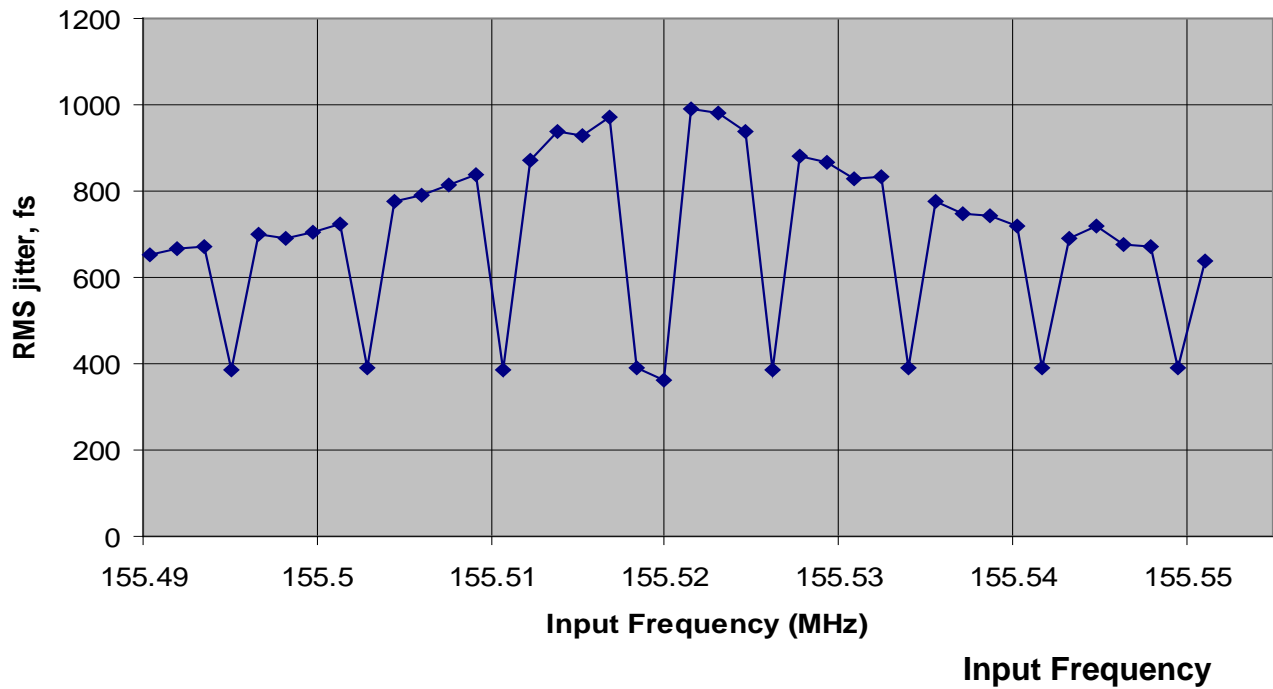
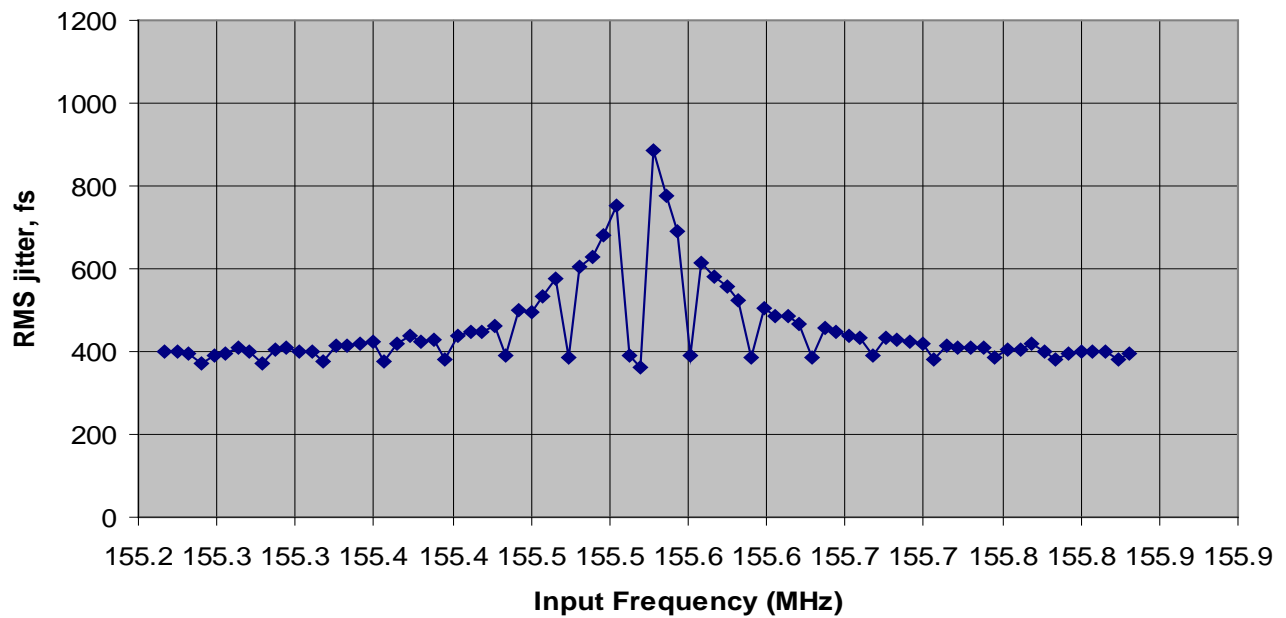


Figure 86.  $\pm 200$  ppm, 10 ppm Steps

38.88 MHz External XA-XB Reference



Input Frequency Variation =  $\pm 2000$  ppm

Figure 87.  $\pm 2000$  ppm, 50 ppm Steps

## APPENDIX H—JITTER ATTENUATION AND LOOP BW

The following illustrates the effects of different loop BW values on the jitter attenuation of the Any-Frequency devices. The jitter consists of sine wave modulation at varying frequencies. The RMS jitter values of the modulated sine wave input is compared to the output jitter of an Si5326 and an Si5324. For reference, the top entry in the table lists the jitter without any modulation. For each entry in the table, the corresponding phase noise plots are presented.

**Table 82. Jitter Values**

Fmod	Fdev	Jitter Start	RF Gen	Si5326	Si5324
0	0	500 Hz	1.18 ps	283 fs	281 fs
50 Hz	50 Hz	10 Hz	181 ps	169 ps	10.6 ps
100 Hz	100 Hz	50 Hz	177 ps	136 ps	2.04 ps
500 Hz	500 Hz	100 Hz	175 ps	18.6 ps	295 fs
1 kHz	1 kHz	500 Hz	184 ps	4.28 ps	292 fs
5 kHz	5 kHz	500 Hz	138 ps	297 fs	302 fs
10 kHz	10 kHz	500 Hz	139 ps	302 fs	304 fs

**Notes:**

1. All phase noise plots are with 622.08 MHz input and 622.08 MHz output.  
Si5326 bandwidth = 120 Hz; Si5324 bandwidth = 7 Hz.
2. FM modulation at  $F = F_{\text{mod}}$  with modulation amplitude =  $F_{\text{dev}}$ .
3. Jit start is the start of the brick wall integration band. All integration bands end at 50 MHz.
4. Phase noise measured by Agilent model E5052B.
5. RF Generator was Rohde and Schwarz model SML03.

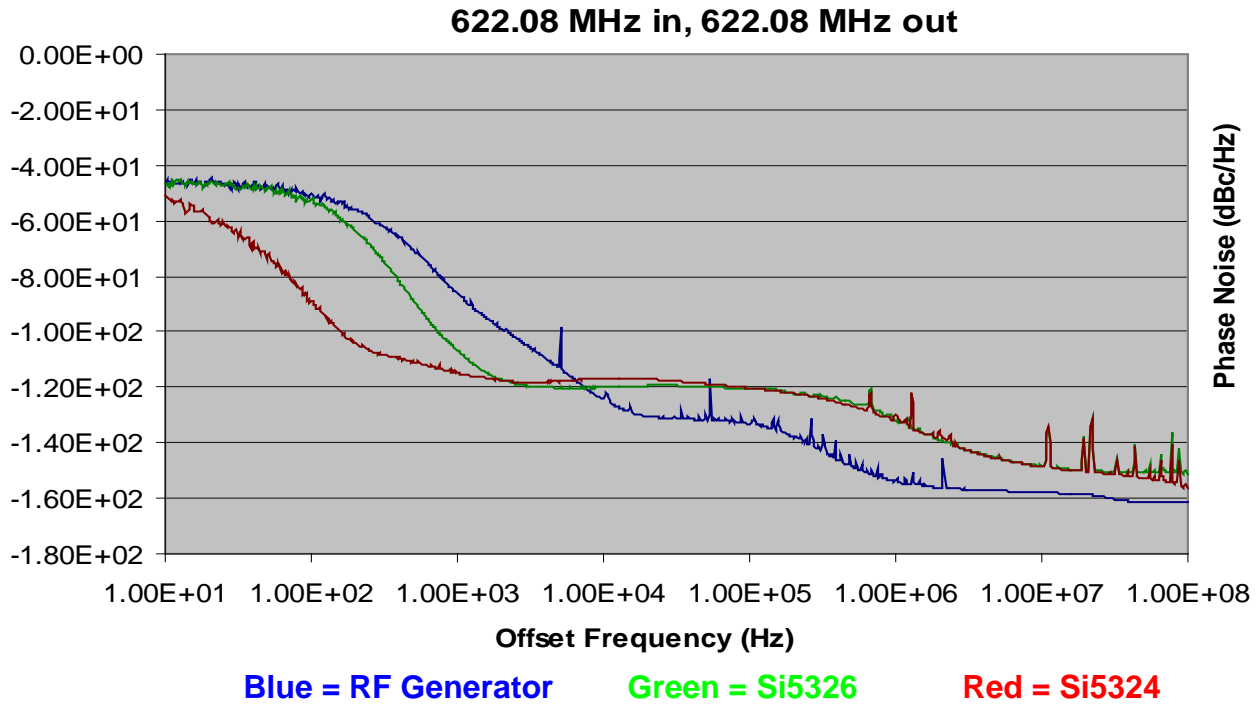


Figure 88. RF Generator, Si5326, Si5324; No Jitter (For Reference)

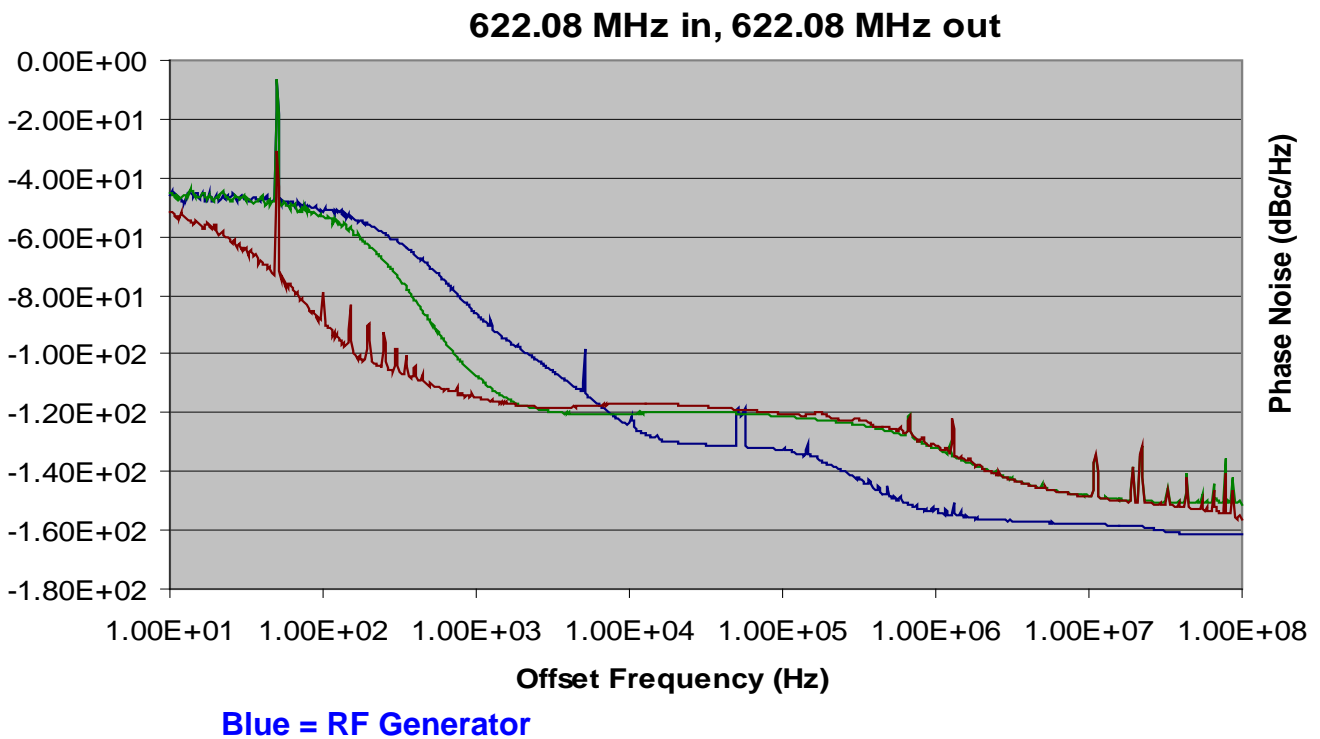
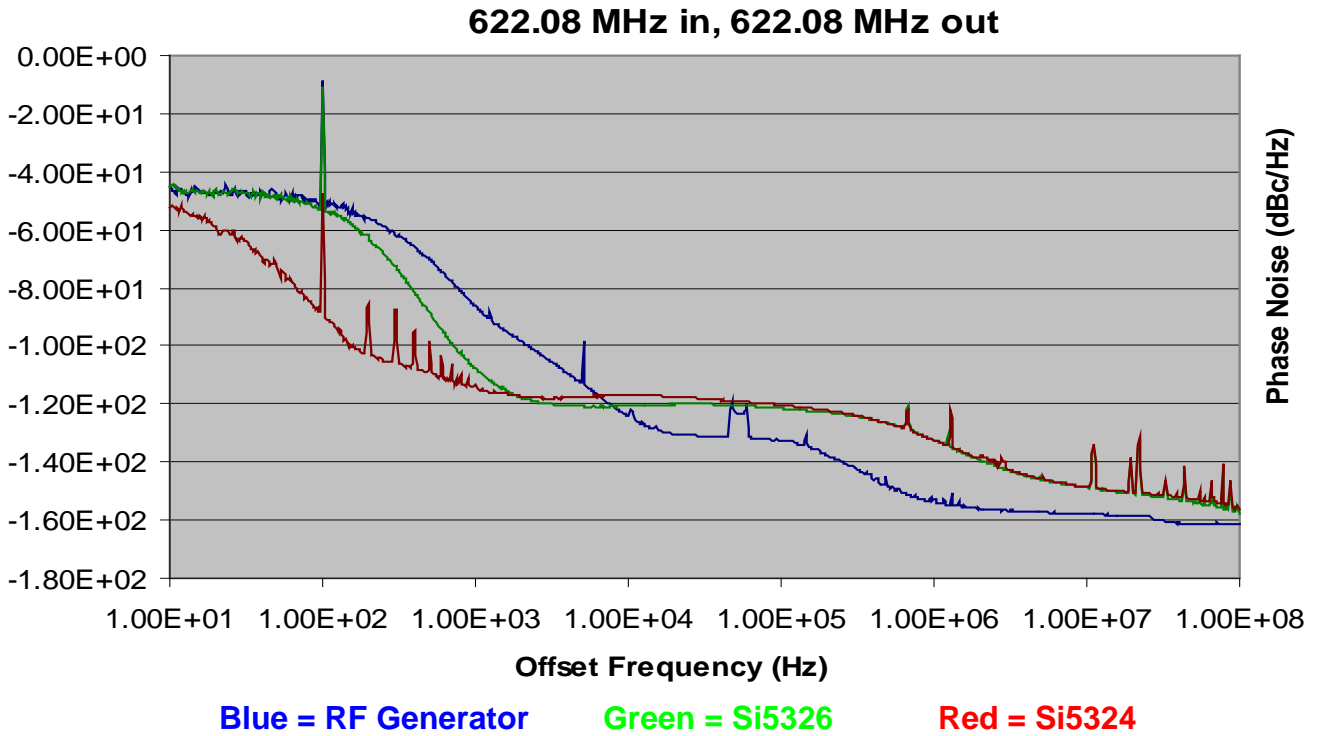
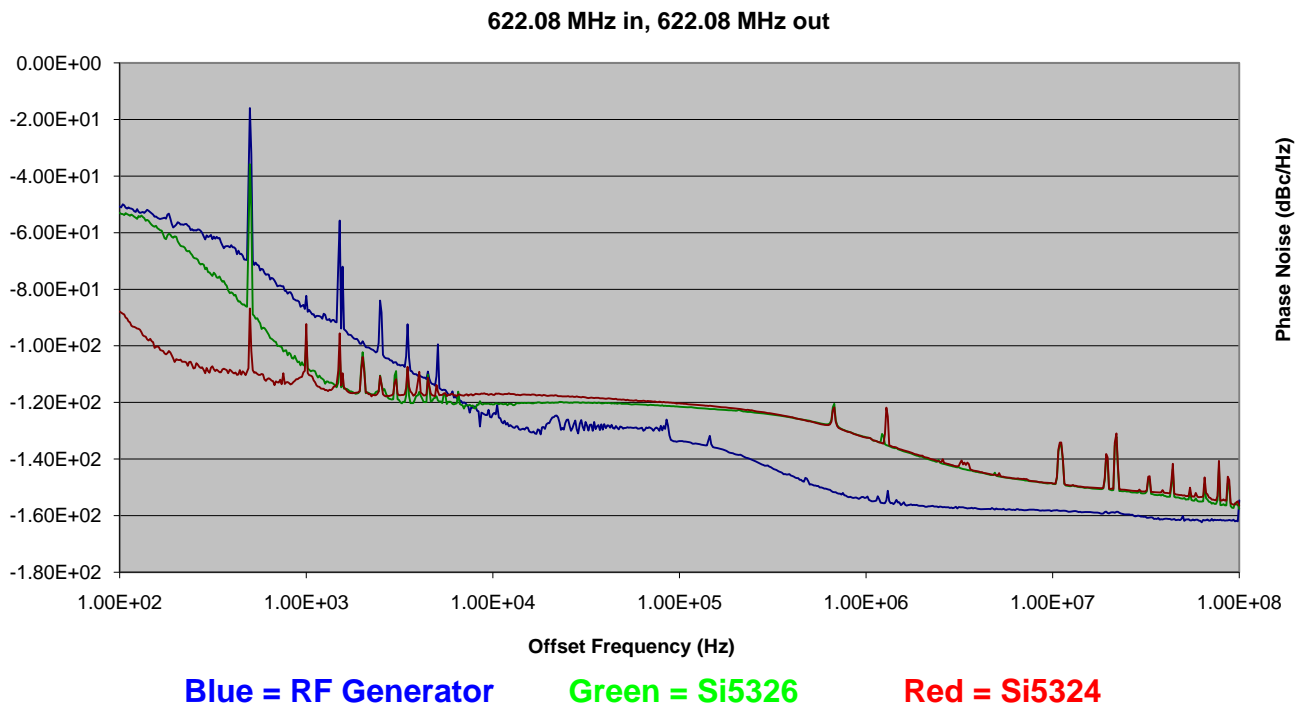


Figure 89. RF Generator, Si5326, Si5324 (50 Hz Jitter)



**Figure 90. RF Generator, Si5326, Si5324 (100 Hz Jitter)**



**Figure 91. RF Generator, Si5326, Si5324 (500 Hz Jitter)**

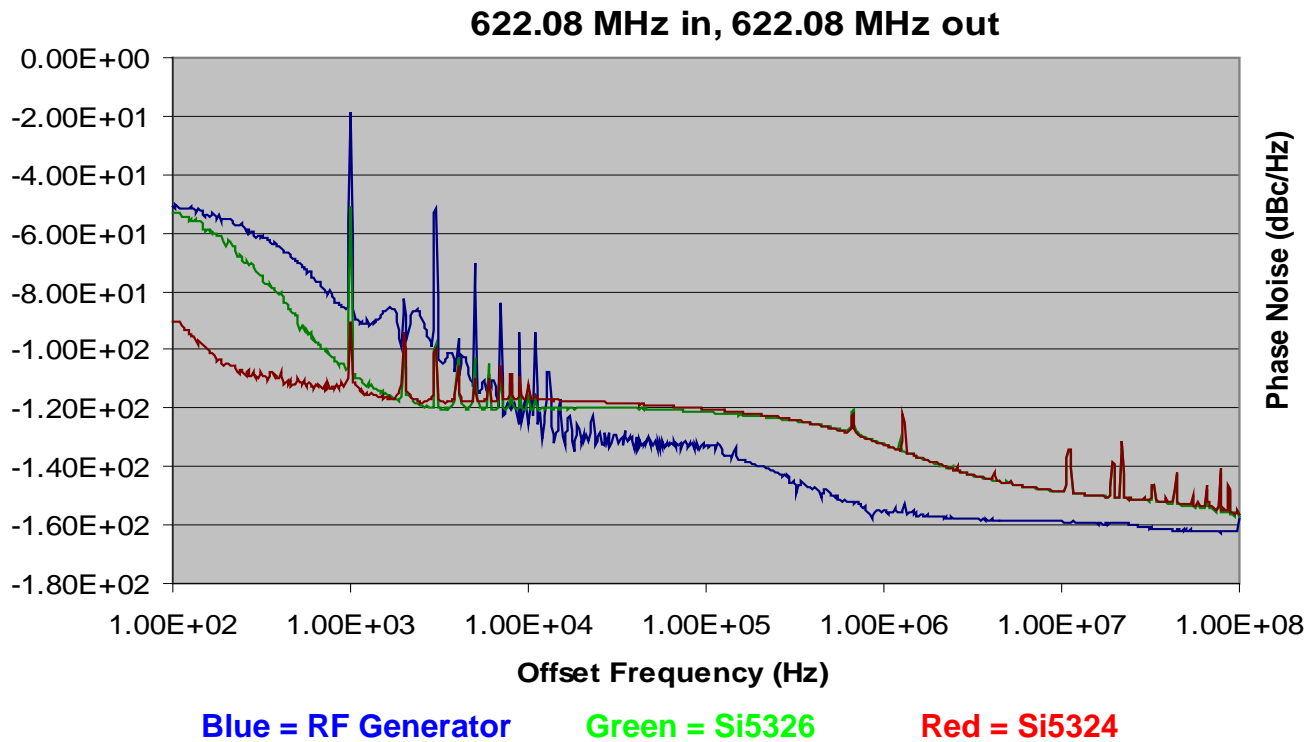


Figure 92. RF Generator, Si5326, Si5324 (1 kHz Jitter)

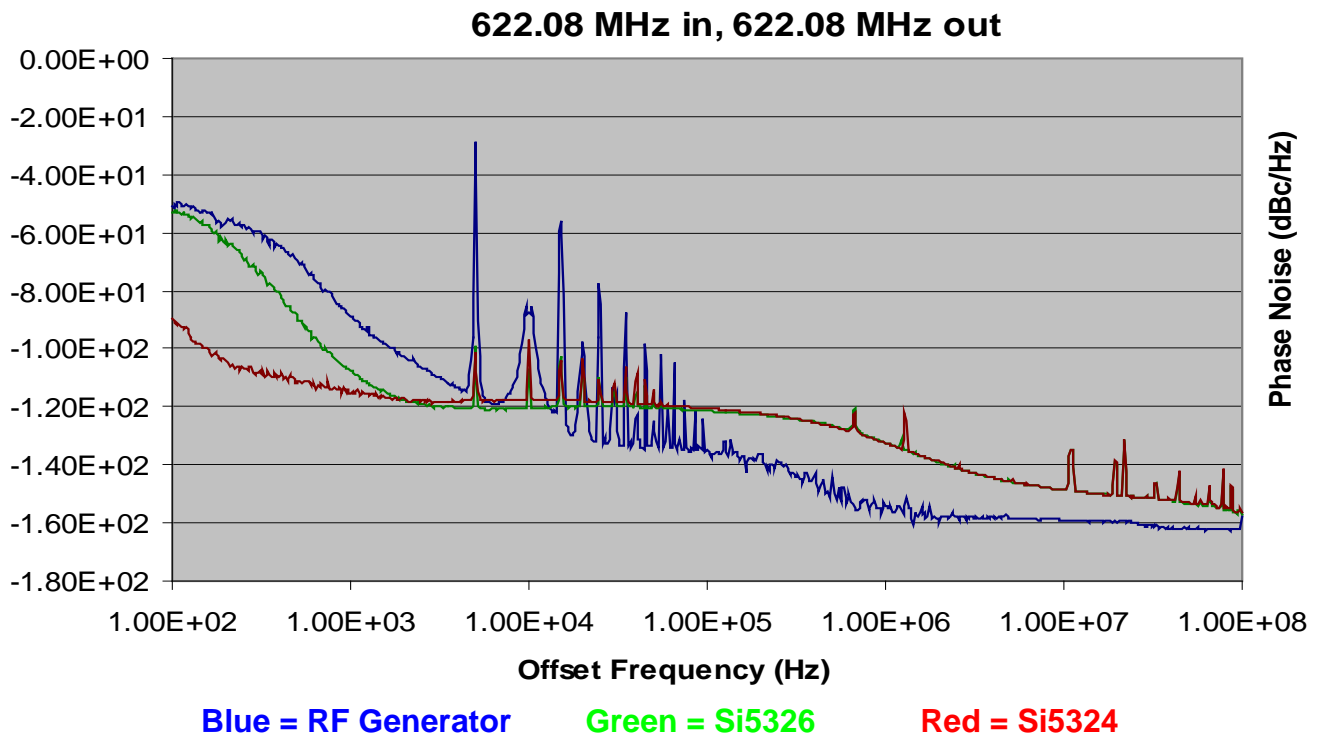
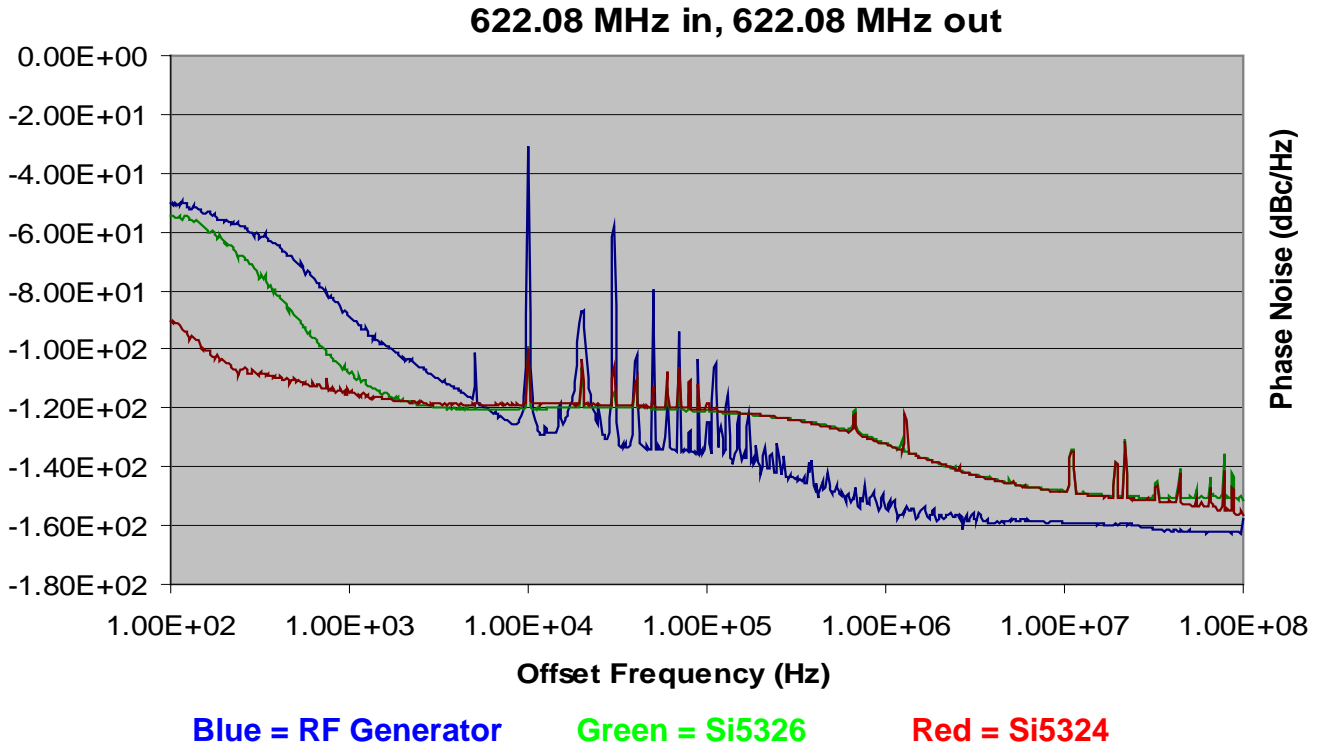


Figure 93. RF Generator, Si5326, Si5324 (5 kHz Jitter)

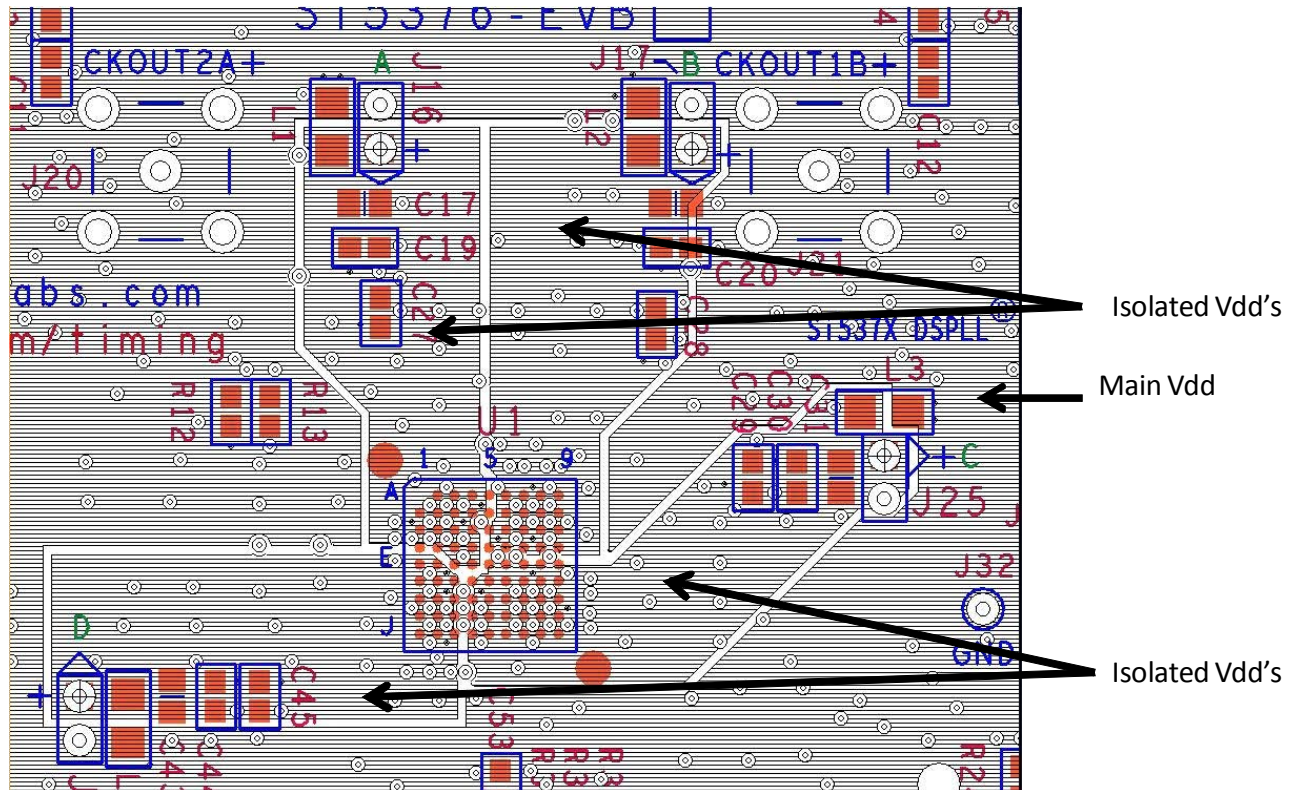


**Figure 94. RF Generator, Si5326, Si5324 (10 kHz Jitter)**



## APPENDIX I—Si5374 AND Si5375 PCB LAYOUT RECOMMENDATIONS

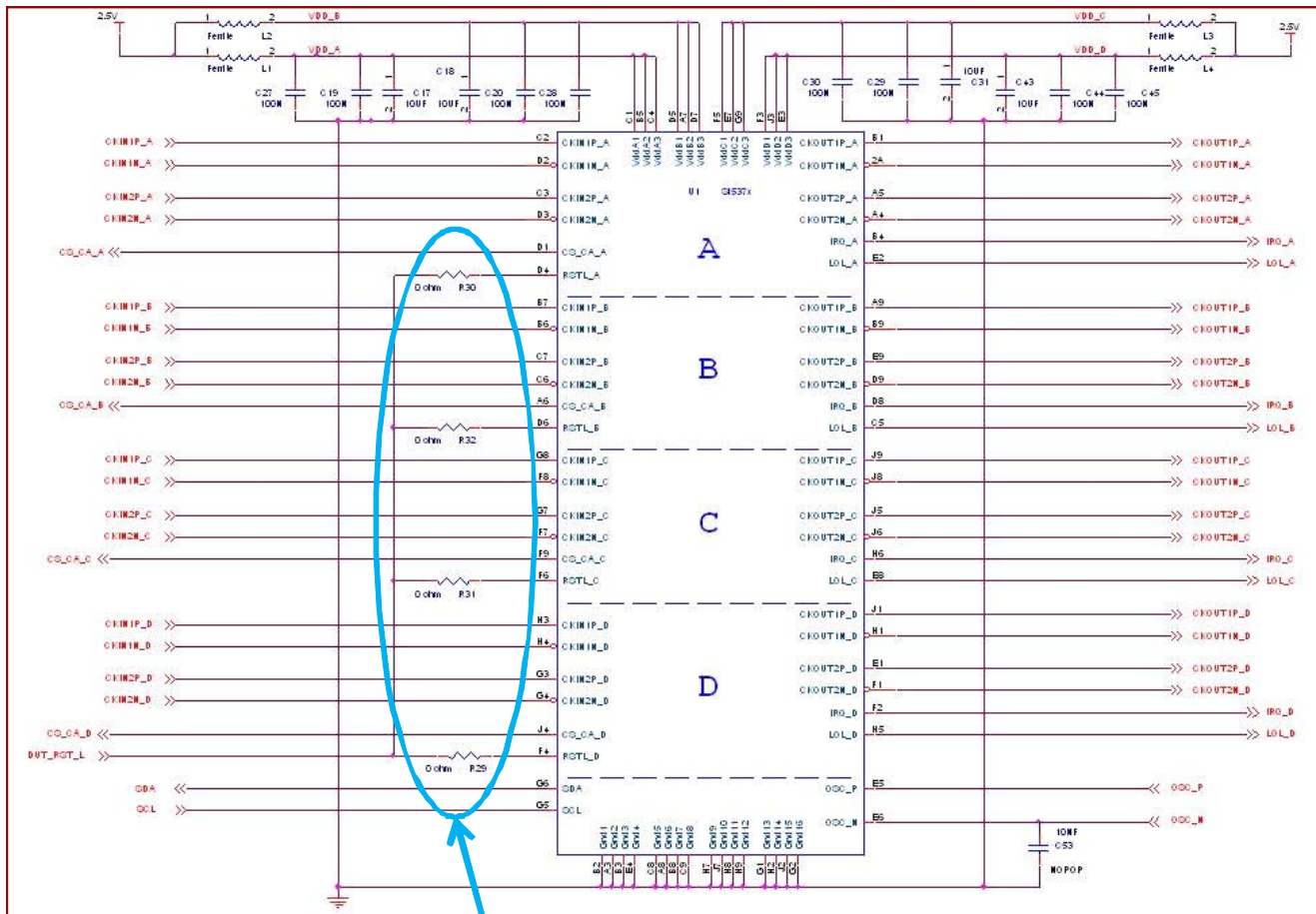
The following is a set of recommendations and guidelines for printed circuit board layout with the Si5374 and Si5375 devices. Because the four DSPLLs are in close physical and electrical proximity to one another, PCB layout is critical to achieving the highest levels of jitter performance. The following images were taken from the Si537x-EVB (evaluation board) layout. For more details about this board, refer to the Si537x-EVB Evaluation Board User's Guide.



The four Vdd supplies should be isolated from one another with four ferrite beads. They should be separately bypassed with capacitors that are located very close to the Si537x device.

Figure 95. Vdd Plane

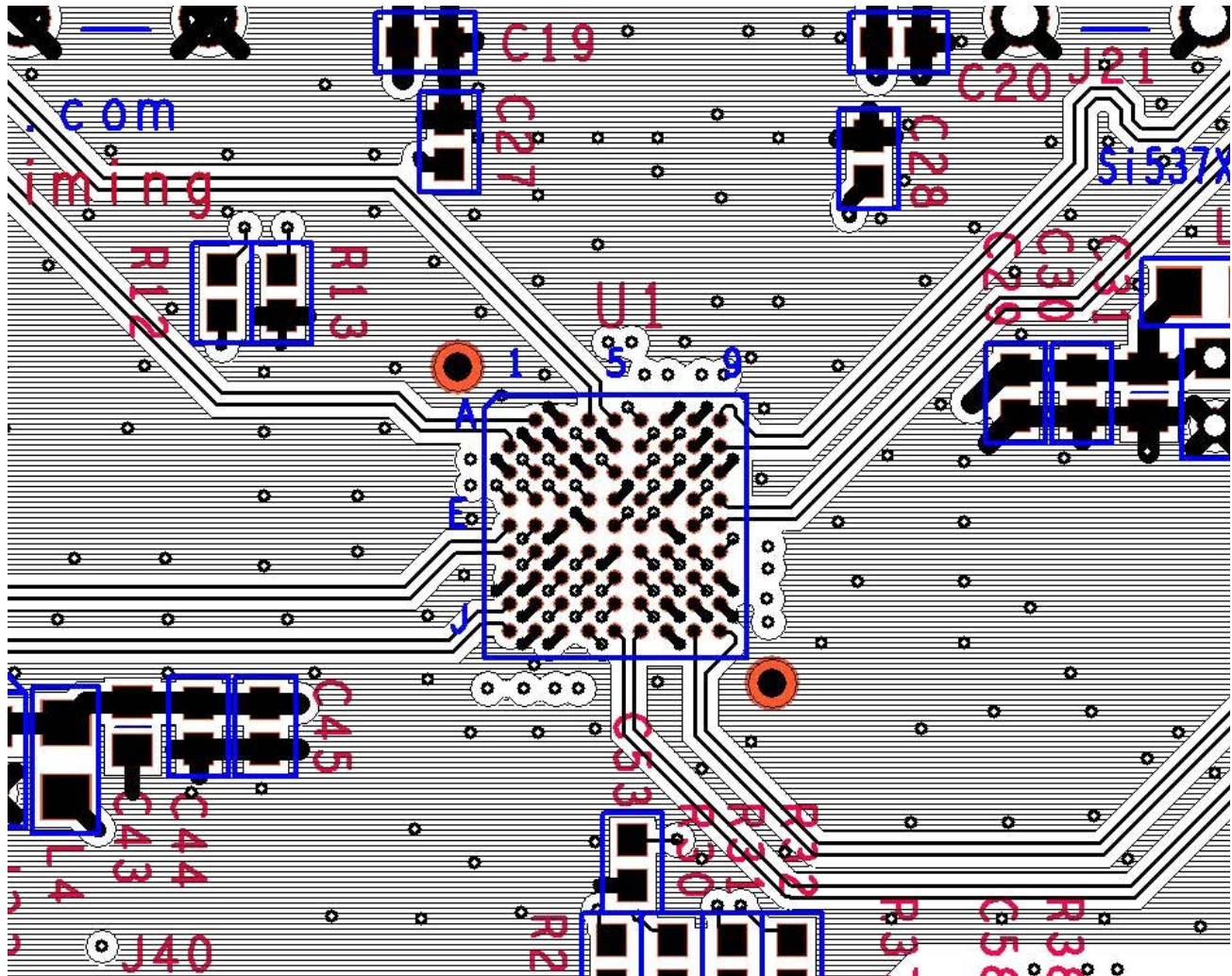
- Use a solid and undisturbed ground plane for the Si537x and all of the clock input and output return paths.
- For applications that wish to logically connect the four RSTL\_x signals, do not tie them together underneath the BGA package. Instead connect them outside of the BGA footprint.
- Where possible, place the CKOUT and CKIN signals on separate PCB layers with a ground layer between them. The use of ground guard traces between all clock inputs and outputs is recommended.



These four resistors force the common RESET connection away from the BGA footprint

**Figure 96. Ground Plane and Reset**

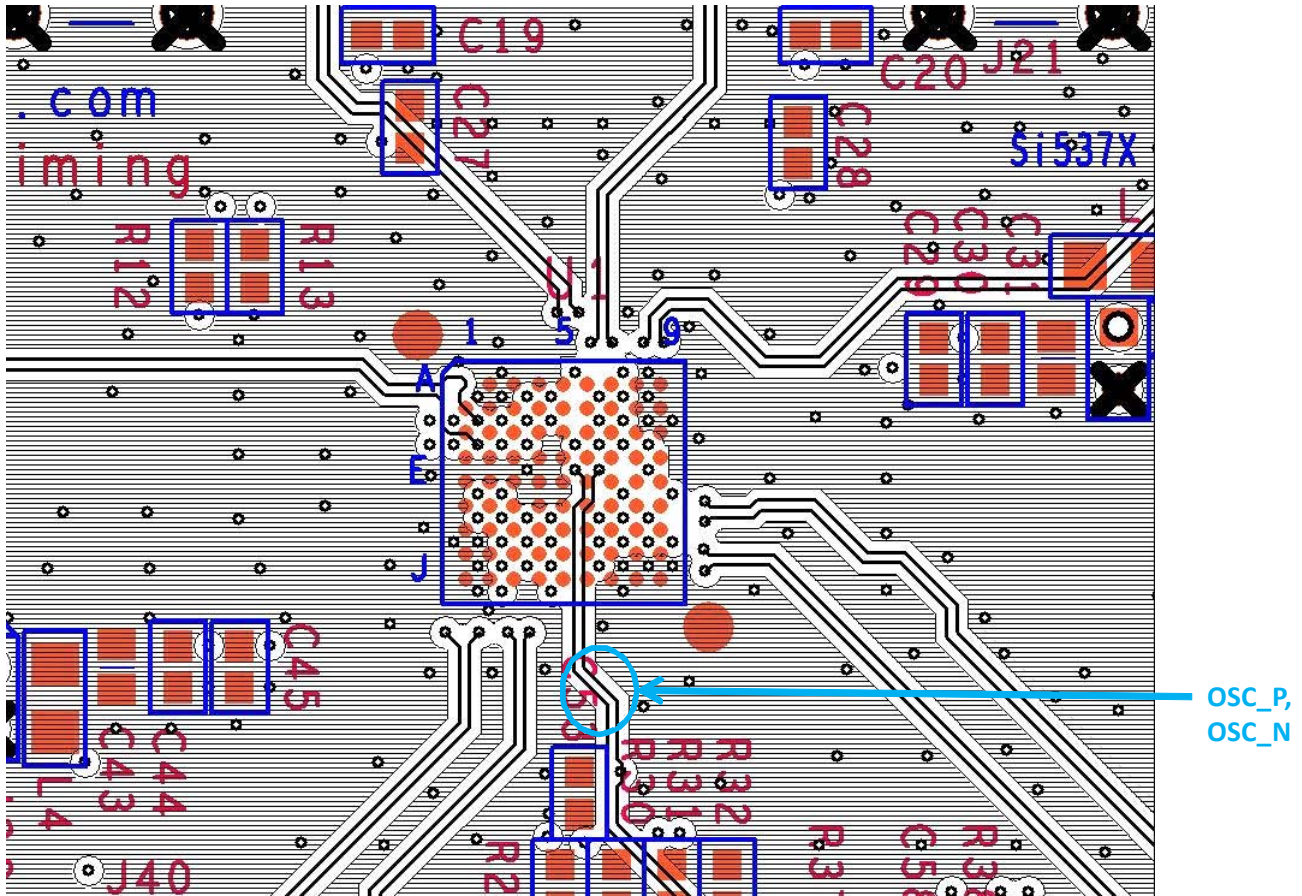
The following is a set of recommendations and guidelines for printed circuit board layout with the Si5374 and Si5374 devices. Because the four DSPLLs are in close physical and electrical proximity to one another, PCB layout is critical to achieving the highest levels of jitter performance. The following images were taken from the Si537x-EVB (evaluation board) layout. For more details about this board, please refer to the Si537x-EVB Evaluation Board User's Guide.



**As much as is possible, do not route clock input and output signals underneath the BGA package. The clock output signals should go directly outwards from the BGA footprint.**

Figure 97. Output Clock Routing





Avoid placing the OCS\_P and OSC\_N signals on the same layer as the clock outputs. Add grounded guard traces surrounding the OSC\_P and OSC\_N signals.

Figure 98. OSC\_P, OSC\_N Routing

## APPENDIX J—Si5374 AND Si5375 CROSSTALK

While the four DSPLLs of the Si5374 and Si5375 are in close physical and electrical proximity to one another, crosstalk interference between the DSPLLs is minimal. The following measurements show typical performance levels that can be expected for the Si5374 and Si5375 when all four of their DSPLLs are operating at frequencies that are close in value to one another, but not exactly the same.

### Si5374, Si5375 Crosstalk Test Bed

All four DSPLLs share the same frequency plan:

- 38.88 MHz input.
- $38.88 \text{ MHz} \times 4080 / 227 = 698.81 \text{ MHz}$  output (rounded).

There are four slightly different input frequencies:

- DSPLL A:  $38.88 \text{ MHz} + 0 \text{ ppm} \Rightarrow 38.88000000 \text{ MHz}$
- DSPLL B:  $38.88 \text{ MHz} + 1 \text{ ppm} \Rightarrow 38.88003888 \text{ MHz}$
- DSPLL C:  $38.88 \text{ MHz} + 10 \text{ ppm} \Rightarrow 38.88038880 \text{ MHz}$
- DSPLL D:  $38.88 \text{ MHz} + 20 \text{ ppm} \Rightarrow 38.88077760 \text{ MHz}$

**Table 83. Si5374/75 Crosstalk Jitter Values**

DSPLL	Jitter, fsec RMS
A	334
B	327
C	358
D	331

OSC\_P, OSC\_N Reference:

- Si530 at 121.109 MHz

Test equipment:

- Agilent E5052B

# Si53xx-RM

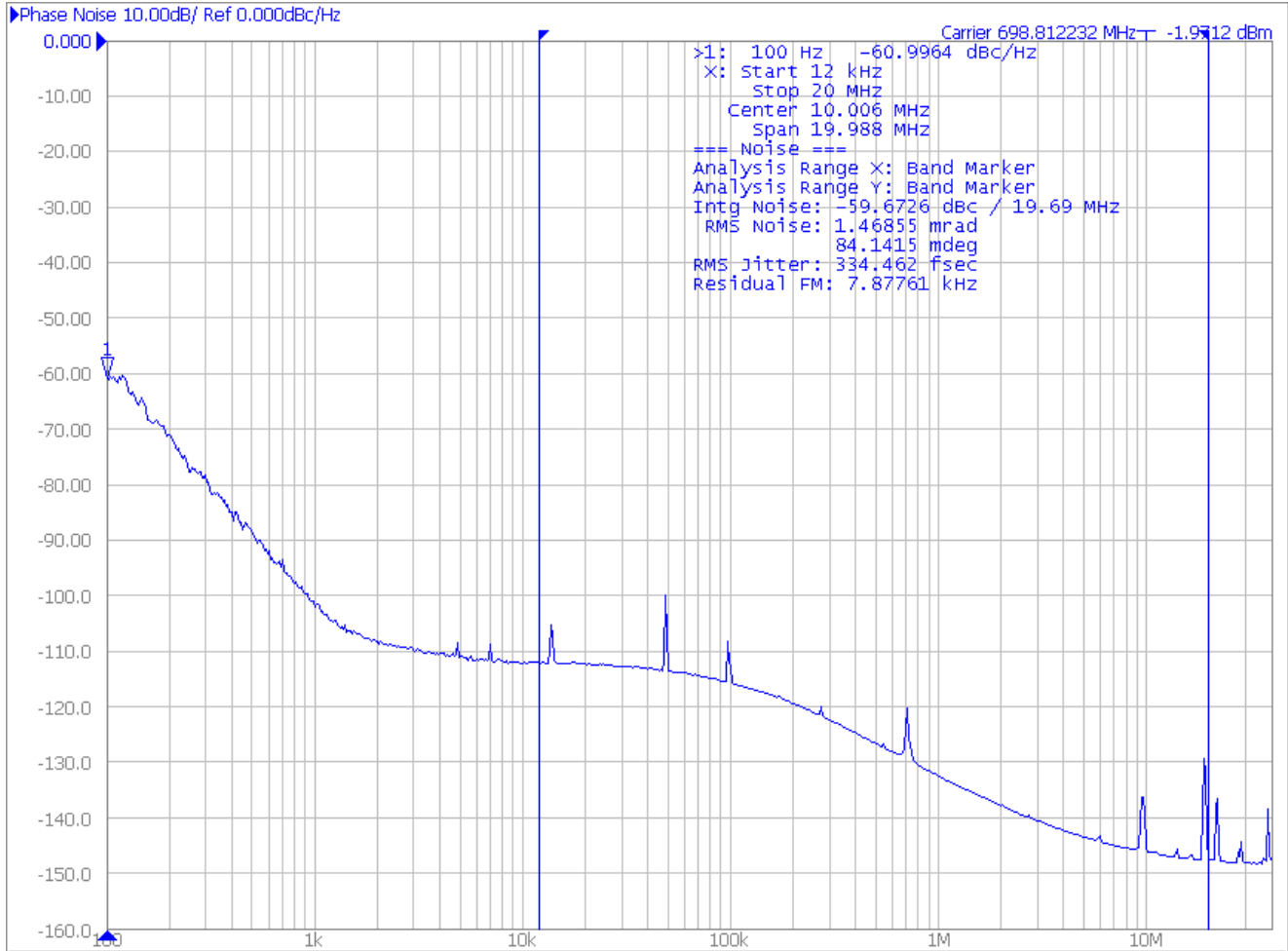
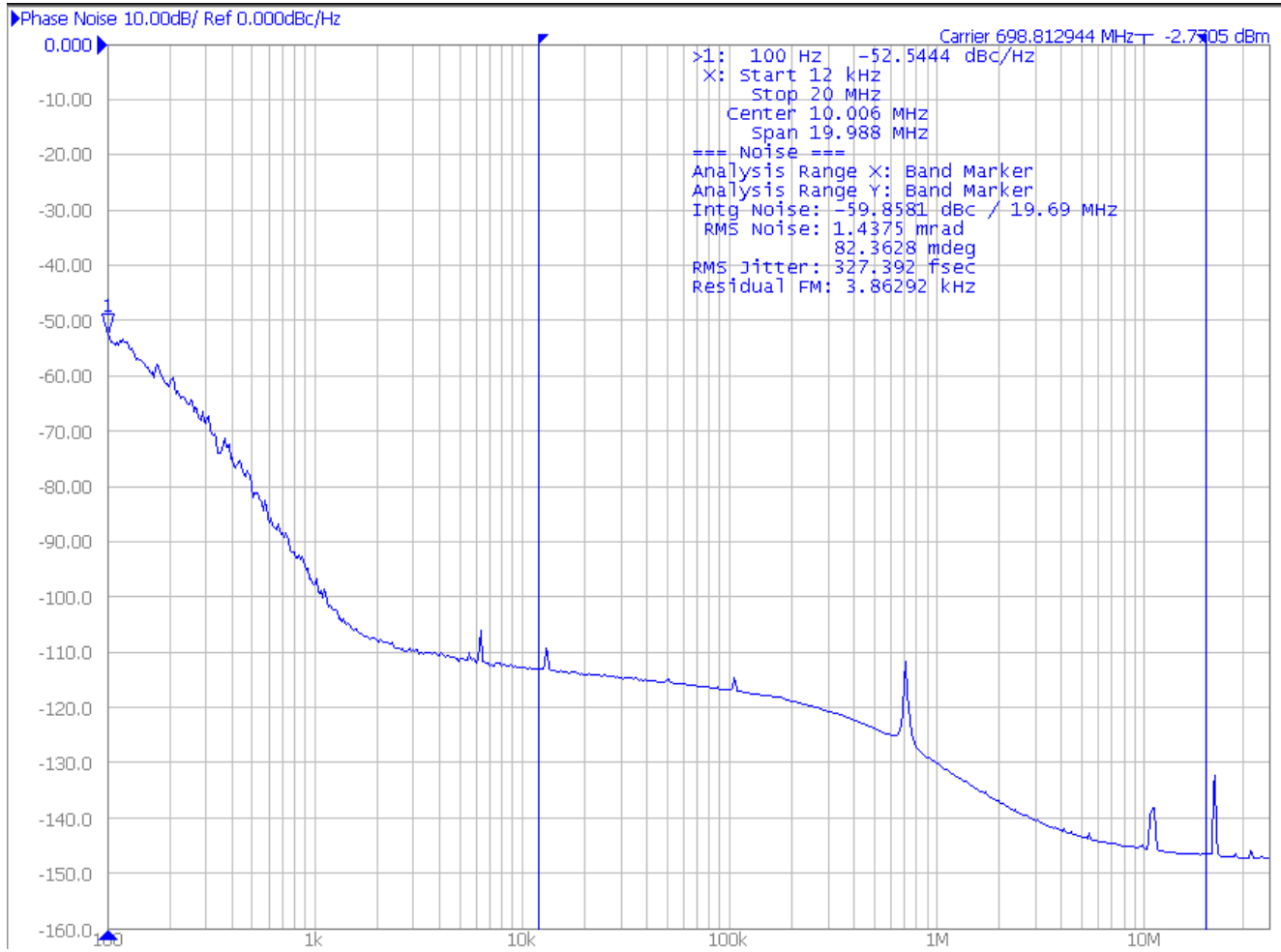


Figure 99. Si5374, Si5375 DSPLL A



**Figure 100. Si5374, Si5375 DSPLL B**

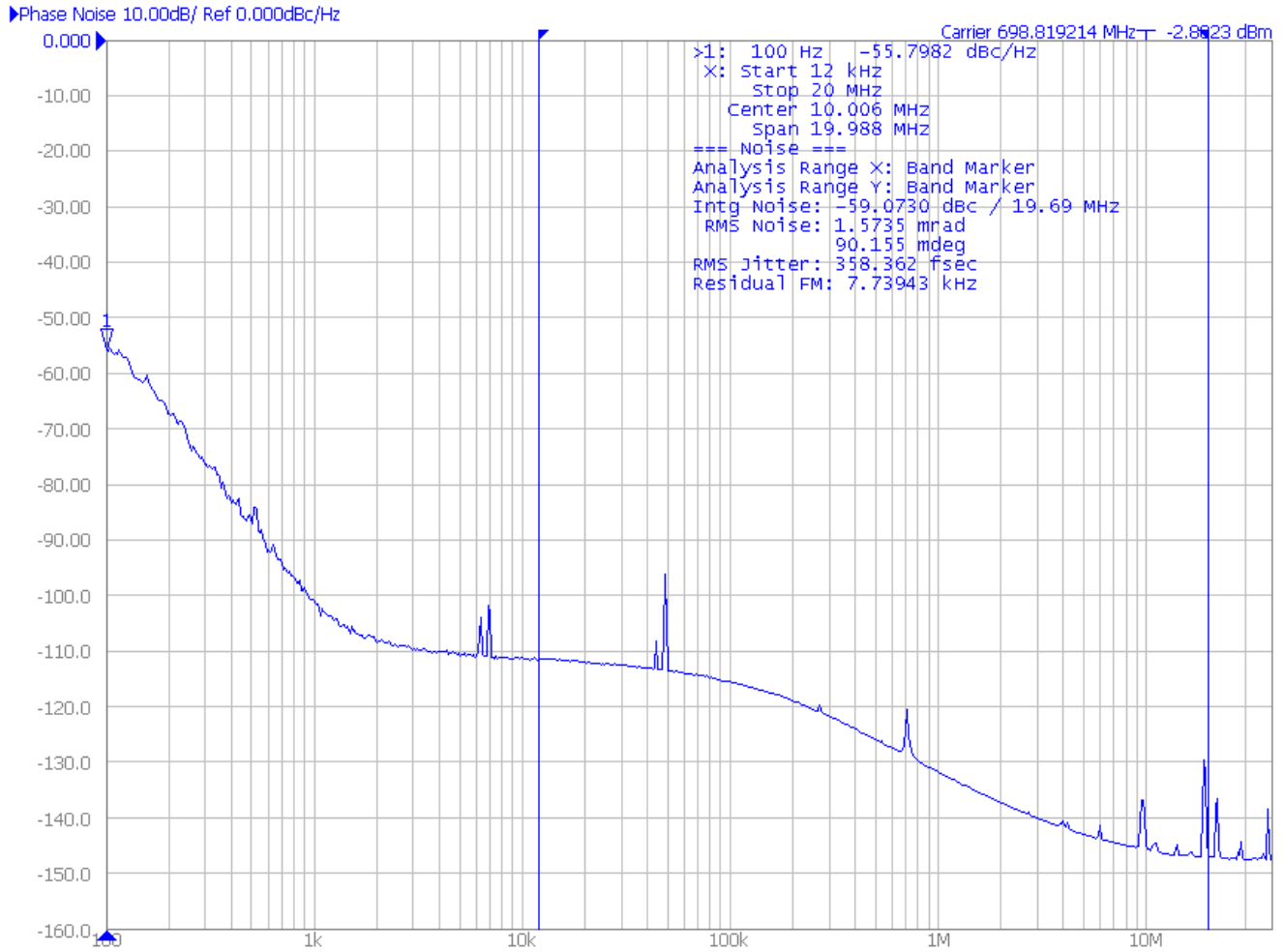


Figure 101. Si5374, Si5375 DSPLL C



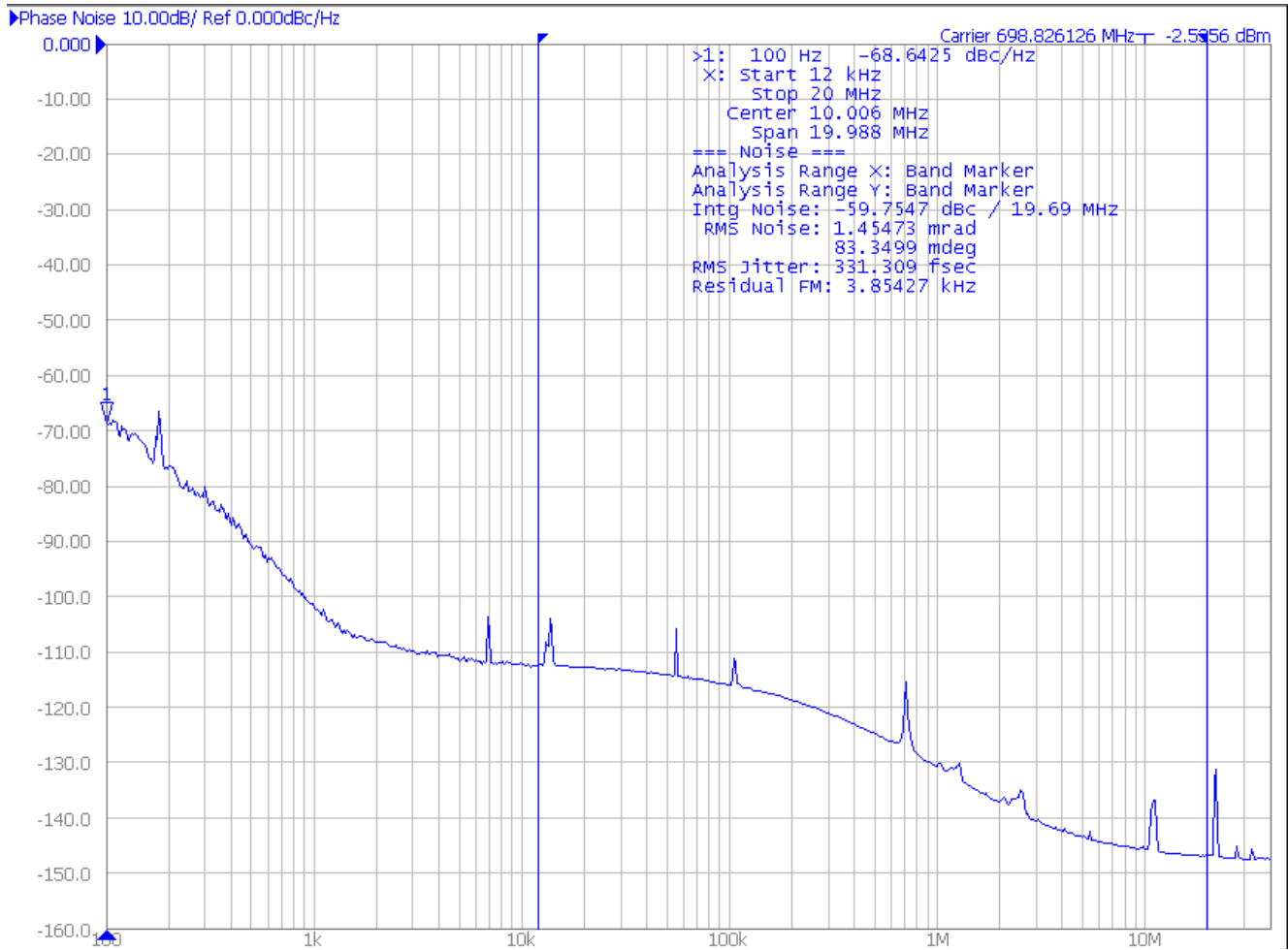


Figure 102. Si5374, Si5375 DSPLL D

## DOCUMENT CHANGE LIST

### Revision 0.3 to Revision 0.4

- Updated AC Specifications in Table 8, “AC Characteristics—All Devices”
- Added Si5365, Si5366, Si5367, and Si5368 operation at 3.3 V
- Updated Section “7.8. Frame Synchronization Realignment (Si5368 and CK\_CONFIG\_REG = 1)”
- Added input clock control diagrams in Section “7.4. Input Clock Control”
- Added new crystals into Table 59, “Approved Crystals”
- Updated “Appendix D—Alarm Structure” on page 144
- Added “Appendix F—Typical Performance: Bypass Mode, PSRR, Crosstalk, Output Format Jitter” on page 154

### Revision 0.4 to Revision 0.41

- Added Si5324.

### Revision 0.41 to Revision 0.42

- Moved Si5326 specifications to the Si5326 data sheet.
- Corrected Figure 23, “Jitter Tolerance Mask/Template.”
- Simplified Section “4. Device Specifications”
- Updated Figure 41, “CMOS Termination (1.8, 2.5, 3.3 V).”

### Revision 0.42 to Revision 0.5

- Added Si5327, Si5369, Si5374, and Si5375.
- Removed Si5319 and Si5323 from the spec tables.
- Updated the typical phase noise plots.
- Added new appendixes G, H, I, and J.
- Updated spec table values.
- Added examples and diagrams throughout.

**NOTES:**

## CONTACT INFORMATION

### Silicon Laboratories Inc.

400 West Cesar Chavez  
Austin, TX 78701  
Tel: 1+(512) 416-8500  
Fax: 1+(512) 416-9669  
Toll Free: 1+(877) 444-3032

Please visit the Silicon Labs Technical Support web page:  
<https://www.silabs.com/support/pages/contacttechnicalsupport.aspx>  
and register to submit a technical support request.

The information in this document is believed to be accurate in all respects at the time of publication but is subject to change without notice. Silicon Laboratories assumes no responsibility for errors and omissions, and disclaims responsibility for any consequences resulting from the use of information included herein. Additionally, Silicon Laboratories assumes no responsibility for the functioning of undescribed features or parameters. Silicon Laboratories reserves the right to make changes without further notice. Silicon Laboratories makes no warranty, representation or guarantee regarding the suitability of its products for any particular purpose, nor does Silicon Laboratories assume any liability arising out of the application or use of any product or circuit, and specifically disclaims any and all liability, including without limitation consequential or incidental damages. Silicon Laboratories products are not designed, intended, or authorized for use in applications intended to support or sustain life, or for any other application in which the failure of the Silicon Laboratories product could create a situation where personal injury or death may occur. Should Buyer purchase or use Silicon Laboratories products for any such unintended or unauthorized application, Buyer shall indemnify and hold Silicon Laboratories harmless against all claims and damages.

Silicon Laboratories, Silicon Labs, and DSPLL are trademarks of Silicon Laboratories Inc.  
Other products or brandnames mentioned herein are trademarks or registered trademarks of their respective holders.

## Free Manuals Download Website

<http://myh66.com>

<http://usermanuals.us>

<http://www.somanuals.com>

<http://www.4manuals.cc>

<http://www.manual-lib.com>

<http://www.404manual.com>

<http://www.luxmanual.com>

<http://aubethermostatmanual.com>

Golf course search by state

<http://golfingnear.com>

Email search by domain

<http://emailbydomain.com>

Auto manuals search

<http://auto.somanuals.com>

TV manuals search

<http://tv.somanuals.com>