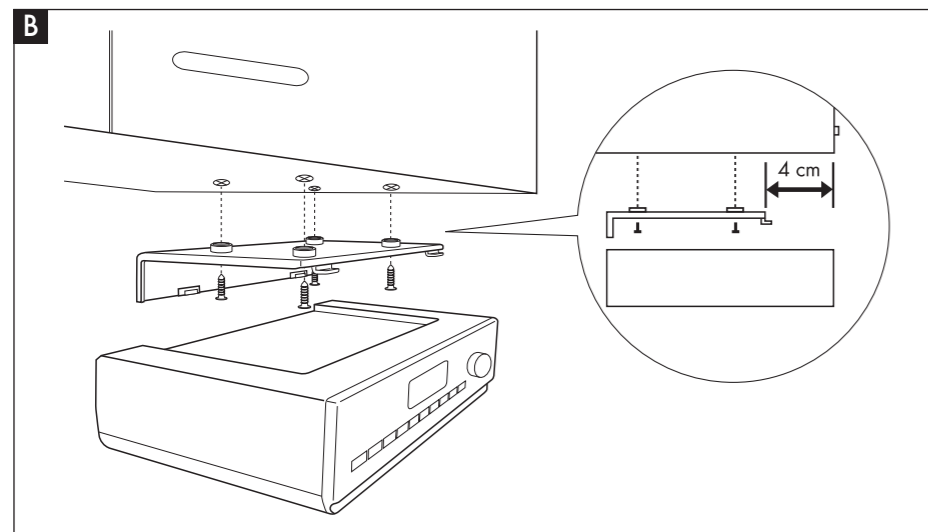
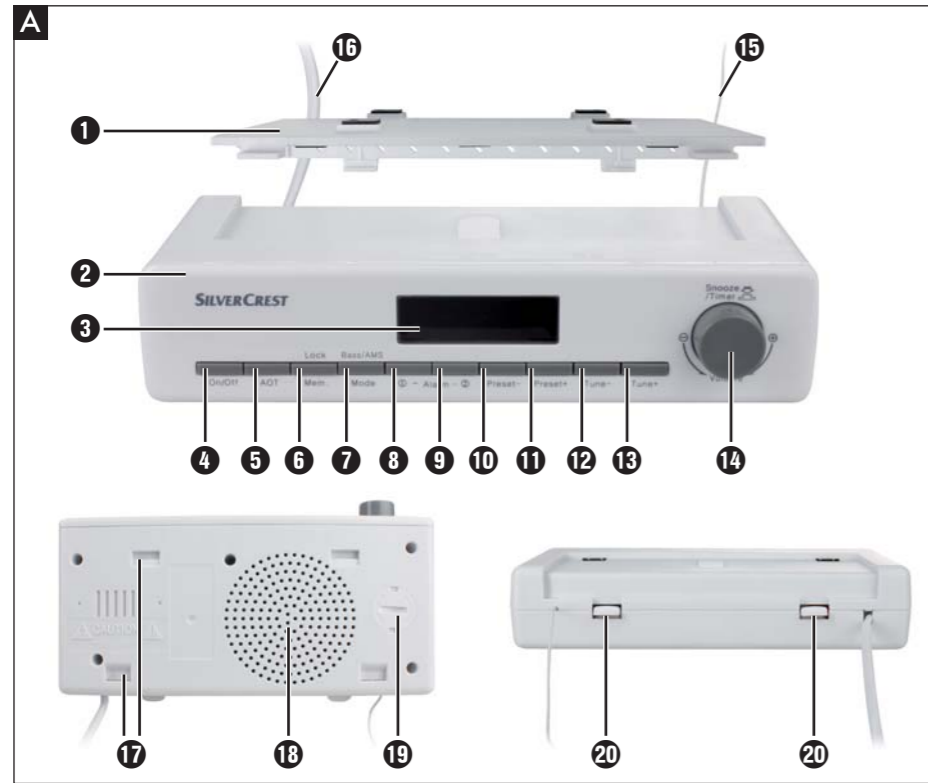


Under-Cabinet Radio SKRD 30 A1



GB Under-Cabinet Radio
IE Operating instructions

SKRD 30 A1



Index

Introduction 2

Information for these operating instructions 2
 Copyright 2
 Proper usage 2
 Warning notices 3
 Safety 4
 Danger from electric shock 4
 Handling of batteries 4
 Basic Safety Instructions 5

Operating components 6

Setting up and connecting ... 7

Safety instructions 7
 Package contents and transport inspection 7
 Unpacking 7
 Disposal of the packaging 8
 Set-up location requirements 8
 Electrical connection 8
 Inserting the battery 9
 Mounting under a wall cupboard .. 9
 Disassembly 10
 Setting up the device 10
 Providing mains power 10
 VHF wire antenna 10

Handling and operation ... 11

Switching On and Off 11
 Basic settings 11
 Activating the settings menu 11
 Setting the time 12
 Setting the date 12
 Adjusting the display brightness... 13
 Setting the memory function 13
 Setting the time of day format ... 14
 Kitchen timer 14
 Setting the kitchen timer 14
 Starting the kitchen timer 15
 Pausing the kitchen timer 15

Programming the kitchen timer ... 16
 Accessing the kitchen timer 16
 Programming alarm wake times ... 17
 Wake with alarm tone 17
 Waken with radio 18
 Switching the alarm off 18
 When the wake time has arrived .. 18
 Radio operation 19
 Switching the radio on/off 19
 Adjusting the volume 19
 Manual station selection 19
 Search for the next station 19
 Saving stations manually 20
 Access saved stations 20
 Automatic station search (AMS function) 20
 Additional functions 21
 Automatic switch off (Sleep function) 21
 Button lock 21
 Bass accentuation 21

Cleaning 22

Safety instructions 22
 Cleaning the housing 22

Troubleshooting 22

Safety instructions 22
 Malfunction causes and remedies .23

Storage/Disposal 24

Storage 24
 Disposal of the device 24
 Disposing of the batteries 24

Appendix 25

Information regarding the EG conformity declaration 25
 Technical data 25
 Warranty 26
 Service 26
 Importer 26

Introduction

Information for these operating instructions

These operating instructions are a component of the Under-Cabinet Radio SKRD 30 A1 (henceforth designated as the device) and they provide you with important information about the intended use, safety, installation and connection as well as operation of the device.

The operating instructions must be kept available in the vicinity of the device at all times. They are to be read and used by anyone assigned to service and repair faults in the device.

Retain these operating instructions and pass them on with the device to any future owners.

Copyright

This documentation is copyright protected.

Any copying or reproduction, including as extracts, as well as the reproduction of images, also in an altered state, is not permitted without the express written consent of the manufacturer.

Proper usage

This device is only intended for the reception of VHF radio programmes, as a kitchen timer and as an alarm by means of an alarm tone or radio in enclosed spaces. The device is intended as a free standing unit or for mounting under a cupboard. For these purposes the supplied stand and/or mounting plate must be used. Any other use or uses beyond those mentioned are considered unintended use. The device is not intended for use in commercial or industrial environments.

WARNING

Danger from unintended use!

Danger from the device can result if it is used for unintended purposes and/or other types of use.

- ▶ Use the device exclusively for intended purposes.
- ▶ Observe the procedures described in these operating instructions.

No warranty claims of any kind will be accepted for damage caused by improper use, unauthorised repairs, unauthorised modifications or for the use of unapproved replacement parts.

The operator alone bears liability.

Warning notices

In the current operating instructions the following warning notices are used:

DANGER

A warning in this danger level indicates a hazard threatening situation.

In the event that the hazardous situation is not avoided it can lead to death or serious injury.

- ▶ The directives in this warning are there in order to avoid the danger of death or serious injury.

WARNING

A warning of this danger level signifies a possible dangerous situation.

If the dangerous situation is not avoided it can lead to injuries.

- ▶ The directives in this warning are there to avoid personal injuries.

IMPORTANT

A warning of this danger level signifies possible property damage.

If the situation is not avoided it can lead to property damage.

- ▶ The directives in this warning are there to avoid property damage.

NOTICE

- ▶ A notice signifies additional information that assists in the handling of the device.

Safety

In this section you receive important safety information regarding handling of the device.

This device complies with the statutory safety regulations. Incorrect usage can lead to injuries and property damage.

Danger from electric shock

DANGER

Risk of fatal electrocution!

A life-threatening situation can arise from contact with live wires or components!

Observe the following safety instructions to avoid electric shock hazards:

- ▶ Do not use the device if the mains power plug or the connection cable are damaged.
- ▶ Do not, under any circumstances, open the device housing. The risk of an electric shock is present if the power carrying connections are touched or the electrical or mechanical construction is changed.

Handling of batteries

WARNING

Danger from improper use!

For safe handling of batteries observe the following safety instructions:

- ▶ Do not throw batteries into a fire.
- ▶ Do not short circuit batteries.
- ▶ Do not attempt to recharge batteries.
- ▶ Regularly check the condition of the batteries. Leaking battery acid can cause permanent damage to the device. Special caution should be shown when handling damaged or leaking batteries. Danger from acid burns! Wear protective gloves.
- ▶ Store batteries in a place inaccessible to children. If swallowed seek immediate medical attention.
- ▶ If you do not intend to use the device for an extended period of time, remove the batteries.

Basic Safety Instructions

For safe handling of the device observe the following safety instructions:

- Before use check the device for visible external damage. Do not put into operation a device that is damaged or has been dropped.
- Damaged cables or connections should be replaced by authorised qualified persons or by the customer service department.
- Persons who, due to their physical, intellectual or motor abilities, are incapable of operating the device safely may only use the device under supervision or direction from a responsible person.
- Only allow children to use the device under supervision.
- Repairs should only be carried out by authorized specialist companies or by the customer service department. Incorrect repairs can result in danger to the user. In addition warranty claims become void.
- A repair to the device during the warranty period may only be carried out by a customer service department authorized by the manufacturer otherwise no additional warranty claims can be considered for subsequent damages.
- Defective components may only be replaced with original replacement parts. Only by using original replacement parts can you guarantee that the safety requirements are complied with.
- Protect the device from moisture and liquid penetration. Never submerge the device in water, do not place the device in the vicinity of water and do not stand any object filled with liquid (i.e. vases) on the device.
- Do not place any objects on the device.
- Do not operate the device in the vicinity of open flames (i.e. candles).
- Avoid direct sunlight.
- Always pull on the power plug when disconnecting from the wall socket, never pull on the connection cable.
- If malfunctions occur or thunder storms threaten pull the power plug from the wall socket.

Operating components

(for illustrations see fold out sides figure A)

- ① Mounting plate/Stand
- ② Control panel
- ③ Display
- ④ On/Off: On/Off switch (Radio)
- ⑤ AOT: Timer switch off
- ⑥ Lock/Mem.: Button lock/memory slot selection
- ⑦ Bass/AMS/Mode: Bass accentuation/Station search/Access setting menu
- ⑧ Alarm 1: Alarm 1 programming
- ⑨ Alarm 2: Alarm 2 programming
- ⑩ Preset-: selection of the previous memory slot
- ⑪ Preset+: selection of the next memory slot
- ⑫ Tune-: Decrease the reception frequency
- ⑬ Tune+: Increase the reception frequency
- ⑭ VOLUME/Snooze/Timer: Volume control/Alarm switch off/Timer setting
- ⑮ Wire antenna for VHF reception
- ⑯ Mains connection cable
- ⑰ Recesses for stand
- ⑱ Speakers
- ⑲ Battery compartment
- ⑳ Unlocking buttons for the mounting plate

Setting up and connecting

Safety instructions

WARNING

Damage may occur to property and injuries to people when operating the device!

Observe the following safety instructions to avoid dangers:

- ▶ Packaging material should not be used as a play thing. There is a risk of suffocation!
- ▶ To avoid risks to persons and property, observe the requirements for the set-up location and the electrical connections.

Package contents and transport inspection

The device is delivered with the following components as standard:

- Under-Cabinet Radio SKRD 30 A1
- Mounting plate/Stand
- 4 Securing screws
- 1 x Battery 3 V Type CR2032
- Operating instructions

NOTICE

- ▶ Check the contents to make sure everything is there and for visible damage.
- ▶ If the items supplied are incomplete, or damaged due to defective packaging or transportation, contact the Service Hotline (see section **Service**).

Unpacking

- ◆ Remove all device parts and the operating instructions from the carton.
- ◆ Remove all packing material.

Disposal of the packaging

The packaging protects the device from transport damage. The packaging materials are selected from the point of view of their environmental friendliness and disposal technology and are therefore recyclable.



The recirculation of packaging into the material circuit saves on raw material and reduces generated waste. Dispose of packaging material that is no longer needed according to the regionally established regulations.

NOTICE

- If possible preserve the device's original packaging during the warranty period so that in the case of a warranty claim you can package the device properly for return.

Set-up location requirements

For the safe and fault free operation of the device, the set-up location must fulfill the following conditions:

- When setting up the device place it on a firm, flat and even surface. Use the supplied stand.
- Set up or mount the device in such a way that the available ventilation openings and the speaker are not covered.
- Do not operate the device in a hot, wet or very humid location or in the vicinity of flammable materials.
- The surfaces of furniture may contain components that could affect and soften the rubber feet on the device. If necessary, place an anti-slip mat under the rubber feet of the device.
- The wall socket must be easily accessible so that, in an emergency, the plug can be quickly withdrawn from the socket.

Electrical connection

- Before connecting the device, compare the connection data (voltage and frequency) on the rating plate of the device with that of your power supply network. This data must be compatible to avoid possible damage to the device.
- Make sure that the device's connection cable is not damaged and is not laying over hot surfaces and/or sharp edges.
- Make sure that the connection cable is not tightly stretched or bent.
- Do not allow the connection cord to hang over edges (Trip wire effect).

Inserting the battery

By inserting the battery you can avoid the loss of programmed time of day and alarm times in the event of a possible power outage. The battery ensures that the internal clock continues to run even during a power failure. When power is restored the correct time appears automatically in the display ③.

NOTICE

- ▶ The device can also be operated without a battery.
- ◆ Open the cover of the battery compartment ①⑨ on the underside of the device by turning the cover to the left, with a coin, as far as it will go and then lift off.
- ◆ Insert the battery type CR2032 (supplied) into the battery compartment. The side with the marking + points upwards.
- ◆ Close the battery compartment by attaching the cover and then with a coin turn it to the right.

Mounting under a wall cupboard

(Illustration see fold out side figure B)

With the supplied mounting plate ① you can mount the device under, for example, a wall cupboard. For mounting of the device proceed as follows:

- ◆ Press both unlocking buttons ②⑩ on the rear panel of the device downwards thereby, at the same time, sliding the mounting plate ① backwards and remove the mounting plate ①.
- ◆ Find a suitable set-up location for the device (see also the section **Requirements for the set-up location**).
- ◆ Hold the mounting plate ① under the set-up location. Thereby the front edge of the mounting plate ① should be approx. 4 cm behind the front of the cupboard so that, after Remove the mounting, the device is flush with the cupboard.
- ◆ Mark the 4 fastening points with a pencil.
- ◆ Using a spike or nail, make a small depression at the respective marking points. Screw the mounting plate ① tightly with the supplied screws as illustrated in figure B.
- ◆ Place the device aslant, with the front recesses in the top face, in the mounting plate ①. Press the rear part of the device upwards against the mounting plate ① until the device audibly locks into place.
- ◆ Check to make sure that the device is secure.

Disassembly

- ◆ Press both unlocking buttons 20 on the rear panel of the device downwards, thereby sliding, at the same time, the device forward and then remove the device downwards.
- ◆ Unscrew the screws on the mounting plate 1 and remove the mounting plate 1.

Setting up the device

As an alternative you can stand the device on a top. So as not to cover up the ventilation slots and the speaker 18 on the underside of the device, when setting up the device it must be mounted on the stand 1. For assembly of the stand proceed as follows:

- ◆ Press both unlocking buttons 20 on the rear panel of the device downwards thereby, at the same time, sliding the mounting plate 1 backwards and remove the mounting plate 1. The mounting plate can now be used as a stand.
- ◆ Slide both front retaining tabs of the stand 1 into the rear recesses 17 on the underside of the device.
- ◆ Press both rear retaining tabs of the stand 1 into the front recesses 17 on the underside of the device until the stand audibly locks into place.
- ◆ Find a suitable set-up location for the device (see also the section **Requirements for the set-up location**).

Providing mains power

- ◆ Insert the mains connection cable 16 power plug into a socket. The time of day will be shown in the display 3 (0:00 o'clock).

VHF wire antenna

- ◆ Unwind the wire antenna 15 completely for VHF reception.

Handling and operation

In this section you receive important information for the handling and operation of the device.

Switching On and Off

After the device has been connected to the power supply it is already switched on. Via the On/Off **4** button you switch between the operational modes clock/standby operation and radio.

NOTICE

- ▶ The On/Off switch **4** does not disconnect the device completely from the mains power. To completely disconnect the device from the mains power the mains power cable plug **16** must be pulled from the mains socket.

Basic settings

After the device has been connected to the mains power supply it shows the time of day and the day of the week in the display **3**. The device is in the operational mode clock/standby operation.

Activating the settings menu

To activate the settings menu, whilst in the operational mode clock/standby operation, press the Bass/AMS/Mode **7** button. The time of day, shown in the display **3**, begins to blink. Each further actuation of the Bass/AMS/Mode **7** button switches to the next setting potential. The menu item sequence is:

- Setting the time of day
- Setting the date
- Adjusting the display brightness
- Setting the memory function
- Setting the time of day format

NOTICE

- ▶ The setting menu ends automatically if you do not actuate any buttons for approx. 15 seconds. The executed setting is saved.

Setting the time

Prerequisite: The device is in the operational mode clock/standby operation.

- ◆ Press the Bass/AMS/Mode **7** button once. The time of day indicator begins to blink.
- ◆ Set with the buttons Tune+ **13** and Tune- **12** the current time of day. With each button press the time of day changes by one minute. Holding down the respective button for more than 2 seconds starts the speed setting.
- ◆ Press the Bass/AMS/Mode **7** button again to save the current setting and move to the next menu item.

NOTICE

- ▶ The time of day will revert back to 00:00 o'clock if the device is disconnected from the mains power supply and no battery is inserted or if the battery is too weak.

Setting the date

Prerequisite: The device is in the operational mode clock/standby operation.

- ◆ Press the Bass/AMS/Mode **7** button twice. The date indicator begins to blink.
- ◆ Set with the buttons Tune+ **13** and Tune- **12** the current date. With each button press the date is changed by one day. The weekday indicator changes automatically. Holding down the respective button for more than 2 seconds starts the speed setting.
- ◆ Press the Bass/AMS/Mode **7** button again to save the current setting and move to the next menu item.

NOTICE

- ▶ The date will revert back to 01.01.2010: if the device is disconnected from the mains power supply and no battery is inserted or if the battery is too weak.

Adjusting the display brightness

Prerequisite: The device is in the operational mode clock/standby operation.

- ◆ Press the Bass/AMS/Mode **7** button three times. The current setting for the display brightness is shown (*H*=bright or *L*=dim).
- ◆ Set, with the button Tune+ **13**, the display brightness to *H* if you want the display to be brighter.
- ◆ Set, with the button Tune- **12**, the display brightness to *L* if you want the display to be darker.
- ◆ Press the Bass/AMS/Mode **7** button again to save the current setting and move to the next menu item.

Setting the memory function

You can set up to 10 date reminders to which an automatic reminder will be triggered. The function SdA (SdA=Special Day Alert) is useful as a reminder, for example, of birthdays or other recurring events. The reminder occurs every year on the same date.

Prerequisite: The device is in the operational mode clock/standby operation.

- ◆ Press the Bass/AMS/Mode **7** button four times. The current setting of the selected reminder date is shown alternating with the indicator *SdA*. Next to the indicator *SdA* is the number of the memory slot for that date. Possible reminders are *SdA* 0 to *SdA* 9.
- ◆ Select with the buttons Preset+ **11** and Preset- **10** the memory slot for the date to be set.
- ◆ Set with the buttons Tune+ **13** and Tune- **12** the date for this memory slot. With each button press the date is changed by one day. Holding down the respective button for more than 2 seconds starts the speed setting.

NOTICE

- ▶ Press the button AOT **5** if you want to switch off the reminder function for the currently selected memory slot. In the display -- -- is shown.
- ◆ Press the button Lock/Mem. **6** to set the time of day at which the reminder function is to be triggered. The setting is carried out with the buttons Tune+ **13** and Tune- **12** on the hour between 00 and 23. This setting applies to all programmed reminder dates
- ◆ Press the Bass/AMS/Mode **7** button again to save the current setting and move to the next menu item.

Setting the time of day format

Prerequisite: The device is in the operational mode clock/standby operation.

- ◆ Press the Bass/AMS/Mode **7** button five times. The current setting for the time of day format is shown (24=24 hour format or 12=12 hour format).
- ◆ With the button Tune+ **13** set the time of day format to 24 if you want a time of day display in the 24 hour format .
- ◆ With the button Tune- **12** set the time of day format to 12 if you want a time of day display in the 12 hour format .
- ◆ Press the Bass/AMS/Mode **7** button again to save the current setting and move to the next menu item.

Kitchen timer

The device has a convenient kitchen timer with which, for example, cooking and baking times can be monitored. The programmable time range of the kitchen timer lies between 1 minute and 23 hours, 59 minutes.

Setting the kitchen timer

- ◆ Press the Snooze/Timer **14** button. The display shows 00:00. In the right upper corner of the display the saucepan symbol for the kitchen timer is superimposed.
- ◆ Turn the VOLUME **14** knob to set the time range for the kitchen timer. Turning in a clockwise direction increases the time; turning in a counter clockwise direction reduces the time.

NOTICE

- ▶ If, during the setting, approx. 15 seconds passes without any changes taking place the device reverts back to the previous operational mode.

Starting the kitchen timer

- ◆ After setting the time press the button Snooze/Timer **14** again. The displayed time begins to run backwards. In the right, upper corner of the display a backwards running clock is superimposed.

NOTICE

- ▶ If, during the operation of the kitchen timer, another function is selected the display of the remaining time fades out. The saucepan symbol and the backward running clock in the right, upper corner of the display, however, continue to be shown. Press the button Snooze/Timer **14** again to allow the remaining time of the kitchen timer to be shown once more.

30 seconds before the kitchen timer run time has expired the device begins to acoustically indicate, with individual signal tones, the arrival of the set time. Thereby the interval between the individual tones becomes shorter and shorter. When the set time has arrived the kitchen timer's alarm signal sounds as a continuous tone.

- ◆ Press the button Snooze/Timer **14** to switch off the kitchen timer alarm signal.

Pausing the kitchen timer.

- ◆ Press, while the kitchen timer is running, the button Snooze/Timer **14**. The kitchen timer is paused. The displayed remaining time begins to blink.

NOTICE

- ▶ After approx. 15 seconds the device reverts back to the previous operational mode. Press the button Snooze/Timer **14** again to allow the remaining time of the kitchen timer to be shown once more.

- ◆ To restart the kitchen timer press the button Snooze/Timer **14** again. The kitchen timer restarts.
- ◆ To switch off the kitchen timer before the set time has expired press and hold down the Snooze/Timer **14** button for at least 2 seconds.

Programming the kitchen timer

You can preprogramme the kitchen timer with the most frequently used times so that it is not necessary to continually reenter them. Up to 10 times can be preprogrammed. All 10 memory slots are preprogrammed with 10 minutes as standard.

For the programming of the kitchen timer proceed as follows:

- ◆ Press the button Snooze/Timer **14** to activate the kitchen timer.
- ◆ Turn the VOLUME **14** knob to set the time to be programmed. Turning in a clockwise direction increases the time; turning in a counter clockwise direction reduces the time.
- ◆ Press the button Lock/Mem. **6** to activate the timer selection. Under the kitchen timer saucepan symbol a blinking T is shown.
- ◆ Select with the buttons Preset+ **11** and Preset- **10** a memory slot between T1 and T9 for the timer that is to be set.
- ◆ Press the button Lock/Mem. **6** again to programme the set time on the selected memory slot. The blinking T under the saucepan symbol is now showing constantly.
- ◆ Repeat the process for the other memory slots.

Accessing the kitchen timer

To access a programmed time for the kitchen timer proceed as follows:

- ◆ Press the button Snooze/Timer **14** to activate the kitchen timer.
- ◆ Select with the buttons Preset+ **11** and Preset- **10** the desired timer between T1 and T9.
- ◆ Press the button Snooze/Timer **14** again to start the kitchen timer.

Programming alarm wake times

The device has two alarms available. All settings for both alarms can be carried out independently from each other. You can select whether at the programmed time an alarm tone shall sound or the radio shall play.

NOTICE

- ▶ If, during alarm wake programming, no button is pressed for approx. 15 seconds the alarm will activate with the current settings.

Prerequisite: The device is in the operational mode clock/standby operation.

To set the wake time proceed as follows:


- ◆ Press the Alarm1 button **8** or the Alarm2 button **9**. The set wake time of the respective alarm is shown blinking in the display **3** and the indicator *R1* and/or *R2* appears. The weekday on which this alarm is to be activated is shown above the time indicator.
- ◆ Set with the buttons Tune+ **13** and Tune- **12** the desired wake time. With each button press the wake time changes by one minute. Holding down the respective button for more than 2 seconds starts the speed setting.
- ◆ Press the button AOT **5** to switch between the weekday combinations Mo-Fr, Sa-Su or Mo-Su. The respective selected combination is shown above the wake time.
- ◆ Press and hold down the button AOT **5** for at least 2 seconds to switch between the weekday combinations and individual weekday setting alternatives.

NOTICE

- ▶ With the individual weekday setting alternative you switch between the days of the week with the button AOT **5**.


Wake with alarm tone

Prerequisite: The device is in the operational mode clock/standby operation.

- ◆ To select "Alarm tone" for the respective alarm press the Alarm1 button **8** or the Alarm2 button **9** several times in succession until, in the display **3**, the symbol  appears.

Waken with radio

If you want to be woken by the radio, before activating the wake time carry out the following settings:

- ◆ Switch the radio on by pressing the On/Off **4** button.
- ◆ Select the station with which you want to be woken (see section **Station setting**).
- ◆ With the VOLUME **14** knob set the desired volume (see section **Volume settings**).
- ◆ Switch the radio off by pressing the On/Off **4** button.
- ◆ To select "Radio" for the respective alarm press the Alarm1 button **8** or the Alarm2 button **9** several times in succession until, in the display **3**, the symbol  appears.

Switching the alarm off

Prerequisite: The device is in the operational mode clock/standby operation.

- ◆ To switch off the respective alarm press the Alarm1 button **8** or the Alarm2 button **9** several times in succession until no symbols are shown in the display **3**.

When the wake time has arrived

With the setting "**Wake with alarm tone**" a fourfold signal tone sounds in intervals of 2 seconds. The volume of the signal tone will continually increase until the maximum volume has been reached. The duration of the wake signal is restricted to 10 minutes.

With the setting "**Wake with radio**" the radio will switch on. The previously selected station will be activated for a maximum of 60 minutes at the set volume.

- ◆ Press the button Snooze/Timer **14** to activate a repeat wake after 9 minutes.

NOTICE

- ▶ The repeat wake function is possible up to 60 minutes after the set wake time has arrived.
- ◆ Press the Alarm1 button **8** or the Alarm2 button **9** to end the current alarm.

NOTICE

- ▶ The alarm becomes active again when the next wake time has arrived (i.e. on the next day).

Radio operation

NOTICE

- ▶ For a good radio reception the wire antenna 15 must be completely uncoiled. Adjust the antenna, whilst in radio operation, to the best reception.
- ▶ The technical factors of the device allow for tuning reception frequencies outside of the permitted VHF (FM) range of 87.5-108 MHz. In some countries, different national regulations may apply to the assigned radio frequency ranges.
Please note that information received outside of the assigned radio frequency ranges may not be exploited, passed on to third parties or otherwise misused.

Switching the radio on/off

- ◆ Switch the radio on by pressing the On/Off 4 button. The display 3 shows the current reception frequency of the tuned station.
- ◆ Switch the radio off by pressing the On/Off 4 button again. The device changes back to the operational mode clock/standby operation. The current time of day is shown.

Adjusting the volume.

- ◆ With the VOLUME 14 knob set the desired volume. Turning in a clockwise direction increases the volume; turning in a counter clockwise direction reduces the volume. The volume level is shown on the left border of the display 3.

Manual station selection

- ◆ By a single press on the buttons Tune+ 13 and Tune- 12 tune the desired station. The frequency of the station is shown in the display 3. During the tuning the speaker is switched off.

Search for the next station

The device can automatically search for the nearest station.

- ◆ Press and hold down the button Tune+ 13 or Tune- 12 for at least two seconds. The device searches for the nearest station with sufficient reception quality.
- ◆ Repeat this process until you have found the station you are looking for.

Saving stations manually

Prerequisite: The device is in the radio operational mode.

The device has 30 memory slots available for station frequencies. To save a station frequency proceed as follows:

- ◆ Tune, as described previously, the desired station.
- ◆ Press the button Lock/Mem. **6** once. The symbol MEM begins to blink in the lower, right corner of the display.
- ◆ Select with the buttons Preset+ **11** and Preset- **10** the desired memory slot for the tuned station between 1 and 30.
- ◆ Press the button Lock/Mem. **6** again. The reception frequency of the tuned station is saved on the selected memory slot. The symbol MEM lights up constantly.

Access saved stations

Prerequisite: The device is in the radio operational mode.

- ◆ Select with the buttons Preset+ **11** and Preset- **10** the desired memory slot for the saved station between 1 and 30.

Automatic station search (AMS function)

Prerequisite: The device is in the radio operational mode.

To allocate the memory slots to the station frequencies with the strongest receivable stations a station search can be carried out.

NOTICE

- ▶ With the carrying out of the following described function all previously saved stations will be lost.
- ◆ Press and hold down the button Bass/AMS/Mode **7** for at least two seconds. The device begins the station search and allocates to the memory slots 1-30 the found stations.

NOTICE

- ▶ If more than 30 stations are found only the first 30 reception frequencies will be saved.
- ▶ If less than 30 stations are found the last memory slots remain unchanged.

Additional functions

Automatic switch off (Sleep function)

With the sleep function the radio switches itself off after a time lapse of between 5 and 120 minutes.


- ◆ To access the function press the button AOT **5**. The current remaining time until the radio switches itself off is shown.
- ◆ Press the button AOT **5** repeatedly to set the desired time. Holding down the button for more than 2 seconds starts the speed setting.

NOTICE

- ▶ The setable time frame lasts from 120 to 5 minutes. The setting takes place in stages of 5 minutes. After which the indicator **OFF** appears. With the indicator **OFF** the sleep function is switched off.

Button lock

You can lock the buttons of the device so that settings cannot be altered by unauthorised people or children.

- ◆ Press and hold down the button Lock/Mem. **6** for at least two seconds to switch the button lock on or off. When the button lock is switched on the symbol  appears in the display.

Bass accentuation

With the bass accentuation you can switch on an enhanced playback of the low frequencies.

Prerequisite: The device is in the radio operational mode.

- ◆ Press briefly the button Bass/AMS/Mode **7** to switch the bass accentuation on or off. With the bass accentuation switched on the symbol **BASS** appears in the display.

Cleaning

Safety instructions

 DANGER**Life-threatening situation from electric shock!**

- ▶ Remove the plug from the mains power socket before cleaning.

IMPORTANT**Damaging of the device!**

- ▶ Make sure when you are cleaning the device that no moisture gets inside in order to avoid irreparable damage to it.

Cleaning the housing

- Clean the surfaces of the device with a soft, dry cloth.

Troubleshooting

In this section you receive important information for the localization and remedying of malfunctions. Observe the instructions in order to avoid danger and damage.

Safety instructions

 WARNING

Observe the following safety information to avoid danger and property damage:

- ▶ Repairs to electronic devices may only be carried out by specialists who have been trained by the manufacturer. Considerable danger to the consumer and damage to the device can occur as a result of incorrect repairs.

Malfunction causes and remedies

The following table will help with localizing and remedying minor malfunctions:

Defect	Possible cause	Solution
The display is showing nothing.	The plug is not inserted.	Insert the plug into the mains power socket.
	Mains power socket is not supplying power.	Check the circuit fuse.
No sound	The volume is set to minimum.	Increase the volume with the VOLUME 14 knob.
	The radio is switched off.	Switch the radio on with the On/Off 4 button.
Noisy radio reception	The radio station is not properly tuned in.	Tune the station correctly with the buttons Tune+ 13 and Tune- 12 .
	Reception is too weak.	Try to improve reception by moving the wire antenna 15 .

NOTICE

- If you cannot solve the problem with the aforementioned methods, please contact Customer Service.

Storage/Disposal

Storage

If you do not intend to use the device for an extended period of time, disconnect it from the mains power supply, remove the battery and store it at a clean, dry location that is not subjected to direct sunlight.

Disposal of the device



Do not dispose of the device in your normal domestic waste. This product is subject to the European directive 2002/96/EC-WEEE (Waste Electrical and Electronic Equipment).

Dispose of the device through an approved disposal centre or at your community waste facility. Observe the currently applicable regulations. In case of doubt, please contact your waste disposal centre.

Disposing of the batteries

Batteries must not be disposed of in the household waste. Every consumer is legally obligated to hand in batteries at a collection centre in his/her community/district or a dealer. This obligation is intended to ensure that batteries are disposed of in an environmentally friendly manner. Hand batteries in only when they are fully discharged.

Appendix

Information regarding the EG conformity declaration

This device complies regarding conformance to the basic requirements and other relevant regulations of the European directive for electromagnetic compatibility 2004/108/EC, the low voltage directive 2006/95/EC as well as the Eco-design directive 2009/125/EC (Supplement 1 275/2008 Appendix II, Nr.1)



The complete original declaration of conformity can be obtained from the importer.

Technical data

Operational voltage	220-240 V / 50 Hz	
Battery for data retention	1 x 3 V Type CR2032 (supplied)	
Power consumption		
Operation	approx. 5	W
Standby	approx. 1.8	W
Speaker power output:	approx. 1W (with 10 % harmonic distortion)	
Radio frequency range (VHF)	87.5 - 108 MHz	
Operating temperature	+5 - +40	°C
Humidity (no condensation)	5 - 90	%
Measurements (H x W x D): (without stand)	4.9 x 22 x 12	cm
Weight	approx. 600	g
Protection class	II □	

Warranty

With this device you receive a 3 year warranty from the date of purchase. The device has been manufactured with care and meticulously examined before delivery.

Please retain your receipt as proof of purchase. In the case of a warranty claim, please get in touch, by telephone, with our service department. Only in this way can a post-free dispatch for your goods be assured.

NOTICE

- ▶ The warranty adjustment is valid only for material or manufacturing defects not, however, for transport damage, wear and tear or for damage to breakable parts, i.e. switches or rechargeable batteries.

The device is intended solely for private, non-commercial use. If this product has been subjected to improper or inappropriate handling, abuse, or modifications not carried out by one of our authorised sales and service outlets, the warranty becomes void.

Your statutory rights are not restricted in any way by this warranty. The warranty period will not be extended as a result of warranty adjustments. This applies also to replacement and repaired parts.

Possible damage and/or faults present at the time of purchase must be reported immediately after unpacking or, at the very latest, within two days after the purchase date.

After expiry of the warranty period incidental repairs are subject to payment.

Service

GB DES UK LTD

Tel.: 0871 5000 700 (£ 0.10 / minute)

E-Mail: support.uk@kompernass.com

IE Kompernass Service Ireland

Tel: 1850 930 412 (0,082 EUR/Min.)

Standard call rates apply. Mobile operators may vary.

E-Mail: support.ie@kompernass.com

Importer

KOMPERNASS GMBH

BURGSTRASSE 21

44867 BOCHUM, GERMANY

www.kompernass.com

Free Manuals Download Website

<http://myh66.com>

<http://usermanuals.us>

<http://www.somanuals.com>

<http://www.4manuals.cc>

<http://www.manual-lib.com>

<http://www.404manual.com>

<http://www.luxmanual.com>

<http://aubethermostatmanual.com>

Golf course search by state

<http://golfingnear.com>

Email search by domain

<http://emailbydomain.com>

Auto manuals search

<http://auto.somanuals.com>

TV manuals search

<http://tv.somanuals.com>