

Spa Bath Mat SLB 450 A1



GB Spa Bath Mat
IE Operating instructions
CY



Index

Introduction2

- Information for these operating instructions 2
- Copyright 2
- Limited liability 2
- Intended use 2
- Warnings 3

Safety4

- Use Restrictions 4
- Risk of electrocution 4
- Interaction with batteries 5
- Basic Safety Instructions 5

Appliance-Components6

Setting up and connecting ...7

- Safety instructions 7
- Items supplied and transport inspection 7
- Unpacking 7
- Disposal of the packaging 8
- Requirements on the Installation Location 8
- Electrical connections 9
- Inserting batteries into the remote control 9
- Fixing the air-bubble mat into the bath 9
- Using aromatic oils 10
- Connecting the air hose 11
- Electrical connections 12

Handling and operation ...12

- Switching On and Off 12
- Functions 13
- Function selection on the pump ... 13
- Function selection with the remote control 14

Cleaning15

- Safety instructions 15
- Cleaning the appliance 15

Troubleshooting15

- Safety instructions 15
- Malfunction causes and remedies . 16

Storage/Disposal17

- Storage 17
- Disposal of the appliance 17
- Disposing of the batteries 17

Appendix18

- Notes on the EC Declaration of Conformity 18
- Technical data 18
- Warranty 19
- Service 19
- Importer 19

Introduction

Information for these operating instructions

These operating instructions are a component of the Spa Bath Mat SLB 450 A1 (henceforth designated as the appliance) and they provide you with important information about the intended use, safety and connection as well as operation of the appliance.

The operating instructions must be constantly kept available close to the appliance. It is to be read and used by anyone assigned to install, service and repair faults in the appliance.

Keep these operating instructions and hand them over with the appliance to any future owners.

Copyright

This documentation is copyright protected.

Any copying or reproduction, including as extracts, as well as the repetition of images, also in an altered state, is not permitted without the express written consent of the manufacturer.

Limited liability

All technical information, data and information for connection and operation of the appliance contained in these operating instructions correspond to the latest available at the time of printing and, to the best of our knowledge, take into account our previous experience and know-how. No claims can be derived from the details, illustrations and descriptions in these instructions. The manufacturer assumes no responsibility for damage caused by failure to observe the instructions, improper use, inappropriate repairs, making unauthorized changes or for using unapproved replacement parts.

Intended use

This appliance is intended only for use in the production of air bubbles in baths for the purpose of Wellness massages in enclosed spaces and for domestic use. This appliance is not intended for any other use or for uses beyond those mentioned.

Claims of any kind due to damage caused by improper use, incompetent repairs, unauthorized modifications or the use of non-approved spare parts are excluded.

The operator alone bears liability.

Warnings

In the existing operation instructions the following warnings are used:

DANGER

A warning at this danger level indicates a threateningly dangerous situation.

If the dangerous situation is not avoided, it could result in death or serious injury.

- ▶ Follow the instructions given in this warning notice to avoid the risks of death or serious injury to people.

WARNING

A warning at this danger level signifies a potentially dangerous situation.

If the dangerous situation is not avoided it can lead to injuries.

- ▶ The directives in this warning are there to avoid personal injuries.

IMPORTANT

A warning of this danger level signifies possible property damage.

If the situation is not avoided it can lead to property damage.

- ▶ The directives in this warning are there to avoid property damage.

NOTICE

- ▶ A notice signifies additional information that assists in the handling of the appliance.

Safety

In this chapter you receive important safety information regarding handling of the appliance.

This appliance complies with the statutory safety regulations.

Incorrect usage can, however, lead to personal injury and property damage.

Use Restrictions

Do not use the appliance:

- if you have high blood-pressure
- if you have cardiovascular diseases
- if you are pregnant

NOTICE

- ▶ If you have an illness, check with your doctor on the possible application of it before using the appliance.
- ▶ Children may use the appliance only under adult supervision.

Risk of electrocution

DANGER

Risk of fatal electrocution!

Contact with wires or components carrying mains power could be potentially fatal!

Observe the following safety notices to avoid electrical hazards:

- ▶ Do not operate the appliance if the power cable or the plug are damaged.
- ▶ Never set the appliance up above the bathtub.
- ▶ Connect the appliance only to an electrical outlet protected by an FC protector switch (RCD) with a rated residual current not exceeding 30 mA.
- ▶ Never touch the pump and the mains plug with wet hands.
- ▶ Never place the pump into water.
- ▶ Place the pump at least 60 cm away from the bath tub.
- ▶ Under no circumstances should you open the housing of the appliance. Should live connections be touched and/or the electrical and mechanical construction changed, there is a risk of receiving an electric shock.

Interaction with batteries

WARNING

Danger from improper use!

For safe handling of batteries observe the following safety instructions:

- ▶ Do not throw the batteries into a fire.
- ▶ Never short-circuit batteries.
- ▶ Do not attempt to recharge batteries.
- ▶ Regularly check the condition of the batteries. Leaking battery acid can cause permanent damage to the appliance. Special care should be taken when handling a damaged or leaking battery. Danger from acid burns! Wear protective gloves.
- ▶ Store batteries in a place inaccessible to children. When swallowed seek immediate medical attention.
- ▶ Remove the batteries from the remote control if you do not intend to use the device for extended periods of time.

Basic Safety Instructions

For safe handling of the appliance observe the following safety information:

- Before use check the appliance for visible external damage. Do not put into operation a appliance that is damaged or has been dropped.
- So as to avoid hazards, should the mains power cable of the appliance become damaged, it must be replaced by the manufacturer, his customer service or by a qualified technician .
- This appliance is not intended for use by individuals (including children) with restricted physical, physiological or intellectual abilities or deficiencies in experience and/or knowledge unless they are supervised by a person responsible for their safety or receive from this person instruction in how the appliance is to be used.
- Children should be supervised to ensure that they do not play with the appliance.
- The appliance must be inaccessible to people in the bathtub.
- Repairs should only be carried out by authorized specialist companies or by the customer service department. Incompetent repairs can result in significant risks for the user. In addition warranty claims become void.

- A repair to the appliance during the warranty period may only be carried out by a customer service department authorized by the manufacturer otherwise no additional warranty claims can be considered for subsequent damages.
- Defective components may only be replaced with original replacement parts. Only by using original replacement parts can you guarantee that the safety requirements are complied with.
- Protect the pump and the remote control against moisture and the penetration by liquids. Never submerge the pump or the remote control in water, never place the pump in the close vicinity of water and do not place any objects filled with liquids (such as vases) on the appliance.
- Do not place any objects on the appliance.
- Do not operate the appliance close to open flames (e.g. candles).
- Avoid direct solar radiation.
- Always remove the power cable from the mains power socket with the plug, not with the cable.
- In the cases of a defect occurring or a thunderstorm approaching, remove the plug from the mains power socket.

Appliance-Components

- ① Electric pump
- ② Connection supports for the air hose (pump side)
- ③ Function button (Pump)
- ④ Mains power cable
- ⑤ LED operation indicator
- ⑥ Air-bubble mat
- ⑦ Connection supports for the air hose (air-bubble mat side)
- ⑧ Air hose
- ⑨ Remote control
- ⑩ Function button (Remote control)
- ⑪ Aromatic oil-pad
- ⑫ Cotton fleece

Setting up and connecting

Safety instructions

WARNING

Damage to people and property may occur when operating the appliance!

Observe the following safety information to avoid any risks:

- ▶ Packaging material should not be used as a play thing.
There is a risk of suffocation!
- ▶ To avoid damage to persons and property, pay heed to the requirements for the installation site and for the electrical connection.

Items supplied and transport inspection

The appliance is delivered with the following components as standard:

- Electric pump with mains power cable
- Remote control including battery (3V, Type CR 2032)
- Air hose
- Air-bubble mat
- 3 Aromati oil-pads and cotton fleece
- Operating Instructions

NOTICE

- ▶ Check the items supplied to ensure everything is available and it is free from visible damage.
- ▶ If the contents are not complete or are damaged due to defective packaging or through transportation, contact the service hotline (see chapter **Service**).

Unpacking

- ◆ Remove all parts of the appliance and the operating instructions from the box.
- ◆ Remove all packing material.

Disposal of the packaging

The packaging protects the appliance from transport damage. The packaging materials are selected from the point of view of their environmental friendliness and disposal technology and are therefore recyclable.



The recirculation of packaging into the material circuit saves on raw material and reduces generated waste. Dispose of packaging material that is no longer needed according to the regionally established regulations.

NOTICE

- ▶ If possible preserve the appliance's original packaging during the warranty period so that in the case of a warranty claim you can package the appliance properly for return.

Requirements on the Installation Location

DANGER

Risk of fatal electrocution!

Should the appliance make contact with water whilst connected to the mains power supply there exists a potentially fatal risk!

Observe the following safety notices to avoid electrical hazards:

- ▶ All parts containing electrical components, except remote control devices, should be located or secured so that they cannot fall into the bathtub.
- ▶ Parts that are charged with standard mains power, i.e. all parts except those supplied with the extra low safety voltage of up to 12 V, **MUST** be inaccessible to people in the bath.

For a safe and error-free operation of the appliance, installation location must fulfill the following conditions:

- Never place the pump above the bathtub.
- Place the pump on a firm, level and dry surface.
- Place the pump in such a way that the suction opening under of the pump housing cannot be covered (such as by a bath mat).
- Do not place the pump in a wet environment or in a spraywater area.
- Do not place the pump directly next to a radiator or a radiant heater.
- The mains power socket must be protected by an FC protector switch (RCD) with a rated residual current not exceeding 30 mA.. It must be easily accessible, so that the plug can be quickly removed in an emergency.
- Secure the air-bubble mat to the floor of your bathtub with the rear suction cups.

Electrical connections



- Before you connect up, compare the connection data (voltage and frequency) on the plate of the appliance with that of your electrical network. This data must match in order to avoid damage to the appliance.
- Check to ensure that the power cable of the appliance is undamaged and it will not be laid over hot surfaces and/or sharp edges.
- Make sure that the power cable is not over taut or folded.
- Do not let the power cable hang over edges (trip wire effect).

Inserting batteries into the remote control

NOTICE

- ▶ The supplied battery (3V, type CR 2032) has already been fitted into the remote control at the factory. Before use, remove the insulation strip from the battery compartment.

To insert a new battery, proceed as follows:

- ◆ Open the battery compartment at the rear of the remote control **9** by rotating the circular cover in the direction of the symbol . Use a small coin for turning it.
- ◆ Insert a battery of the type CR 2032 (3V) into the battery compartment. Make sure the polarities are correct; the positive pole faces up.
- ◆ Close the battery compartment by replacing the round cover and turning it in the direction of the symbol  until it is firmly seated back in the housing.

Fixing the air-bubble mat into the bath

DANGER

Slippery!

If the air bubble mat is not fixed into the bathtub properly, there is a great risk of slipping!

Observe the following safety information to avoid the risks of slipping:

- ▶ Carefully press the air-bubble mat onto the bottom of the bath tub until all of the suction cups on the air-bubble mat are firmly secured to the bath bottom.
- ▶ Check every time before getting into the bath tub whether the air-bubble mat is still properly and firmly secured.
- ▶ Do not climb into the bathtub before all the suction cups of the air-bubble mat are properly secured in the bath tub.

GB
IE
CY

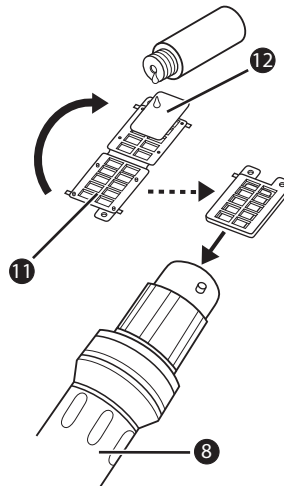
- ◆ Place the air-bubble mat ⑥ onto the bottom of your bath tub so that the connection-support for the air hose ⑦ is pointing upwards.
- ◆ Press the air-bubble mat ⑥ with the flat of your hands until it is firmly secured onto the bath tub floor by its suction cups.

NOTICE

► The suction cups of the air-bubble mat attach themselves to the bottom of the bath tub much easier and more firmly if you first moisten them slightly before pressing.


Using aromatic oils

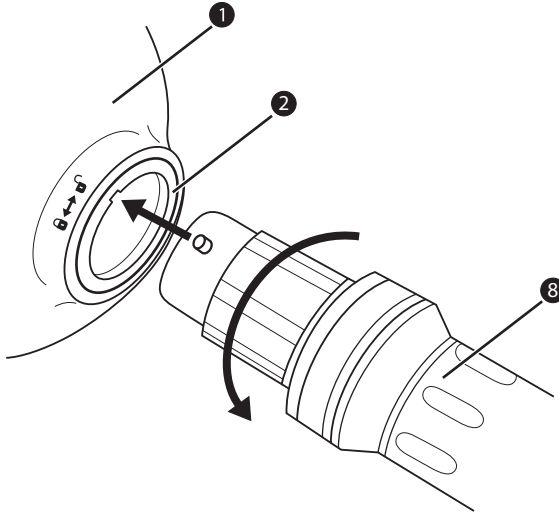
Optionally, you can use aromatic oils (perfume or massage oils). For this, use the supplied aroma-oil pad ⑪.



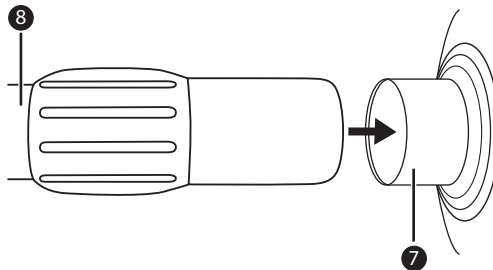
- ◆ Open the aroma-oil pad ⑪.
- ◆ Place a few drops of aromatic oil onto the cotton fleece ⑫ and replace the fleece into the aroma-oil pad ⑪.
- ◆ Close the aroma-oil pad ⑪.
- ◆ Place the aroma-oil pad ⑪ in the pump side connection-support of the air hose ⑧.

Connecting the air hose

- ◆ First connect the air hose **8** to the connection-support **2** of the pump **1**. With this, ensure that the plastic cam aligns exactly with the recess in the connection-support **2**.
- ◆ Then turn the hose connector of the air hose **8** to the left, in the direction of the symbol , until the hose connector is clamped in the connecting support **2** of the pump **1**.



- ◆ Afterwards, insert the hose fitting on the other side of the air hose **8** firmly into the connection-support of the air-bubble mat **7**.



Electrical connections

DANGER

Risk of fatal electrocution!

Contact with wires or components carrying mains power could be potentially fatal!

Observe the following safety notices to avoid risks from electrical hazards:

- ▶ Do not operate the appliance if the power cable or the plug are damaged.
- ▶ Connect the appliance only to an electrical outlet protected by an FC protector switch (RCD) with a rated residual current not exceeding 30 mA.
- ▶ Never touch the pump and the mains plug with wet hands.
- ▶ Avoid water contact with the pump.
- ▶ Place the pump at least 60 cm away from the bath tub.
- ▶ Under no circumstances should you open the housing of the appliance. Should live connections be touched and/or the electrical and mechanical construction changed, there is a risk of receiving an electric shock.

- ◆ Insert the plug into a mains power socket.

Handling and operation

In this chapter you receive important information for the handling and operation of the appliance.

NOTICE

- ▶ Before using the equipment, make sure the room temperature is right. The bathroom temperature should not be lower than 25 °C.

Switching On and Off

Switch the pump **1** on with one press of the function button **3** on the pump.

Switch the pump **1** off with several presses of the function button **3** on the pump.

NOTICE

- ▶ In the same way, the pump may be switched on or off using the remote control **9** by pressing the function button **10**.

Functions

The appliance offers three different operating modes:

- Continuous with low intensity
- Continuous with high intensity
- Massage operation

IMPORTANT

Risk of damage to the appliance from excessive continuous operation.

Excessive continuous operation may cause an overheating of the pump.

- ▶ The appliance switches off after 20 minutes usage time.
- ▶ Allow the pump to cool down for 10 minutes after the normal period of use before switching it back on.

Function selection on the pump

- ◆ Switch the pump **1** on with one press of the function button **3**. The LED operation indicator **5** blinks green, and the pump is operating at the lowest level of intensity.
- ◆ By once again pressing the function button **3** the LED operation indicator **5** blinks red and the pump switches to the high intensity level.
- ◆ By pressing the function button **3** once again, the appliance switches into the programme mode. The LED operation indicator **5** blinks orange, and the appliance is now working in the massage mode. With this, the appliance works by alternating between the low and high intensity levels.
- ◆ Press the function button **3** a fourth time to switch the appliance off. The LED operation indicator **5** extinguishes.

NOTICE

- ▶ The appliance switches off automatically after 20 minutes usage time.

Function selection with the remote control

IMPORTANT

Risk of damage from water intrusion.



Never submerge the appliance or the remote control in water or other fluids. The appliance or the remote control could be irreparably damaged.

- ▶ Using the suction cups on the back of it, attach the remote control onto the tiles next to your bath tub.

NOTICE

- ▶ To ensure faultfree operation of the remote control **9**, it must be held during operation so that it points directly to the pump **1**.
- ◆ Switch the pump **1** on with one press of the function button **10**. The LED operation indicator **5** on the pump blinks green, and the pump is operating at the lowest level of intensity.
- ◆ By once again pressing the function button **10** the LED operation indicator **5** on the pump blinks red and the pump switches to the high intensity level.
- ◆ By pressing the function button **10** once again, the appliance switches into the programme mode. The LED operation indicator **5** on the pump blinks orange, and the appliance is now working in the massage mode. With this, the appliance works by alternating between the low and high intensity levels.
- ◆ Press the function button **10** a fourth time to switch the appliance off. The LED operation indicator **5** on the pump extinguishes.

NOTICE

- ▶ The appliance switches off automatically after 20 minutes usage time.

Cleaning

Safety instructions

DANGER

Risk of fatal electrocution!

- ▶ Remove the plug from the mains power socket before beginning to clean the appliance.

IMPORTANT

Damage to the appliance!

- ▶ In order to avoid irreparable damage to the appliance, ensure that no moisture can permeate into the pump housing when you are cleaning it.

Cleaning the appliance

- Clean the surfaces of the pump housing only with a soft, dry cloth.
- Clean the air-bubble mat with water and a soft sponge.
- Clean the air hose only with water. Then let it dry well.

NOTICE

- ▶ To take the air-bubble mat out of the bath tub, gently grasp under the individual suction cups with a fingernail to neutralise the vacuum effect.

Troubleshooting

In this chapter you will receive important information for malfunction localisation and remedies. Observe the instructions in order to avoid danger and damage.

Safety instructions

WARNING

Observe the following safety information to avoid danger and property damage:

- ▶ Repairs to electronic devices may only be carried out by specialists who have been trained by the manufacturer. Considerable danger to the consumer and damage to the device can occur as a result of incorrect repairs.

Malfunction causes and remedies

The following table will help with localising and eliminating minor malfunctions:

Defect	Possible cause	Solution
Appliance does not switch on.	The plug is not inserted.	Insert the plug into a mains power socket.
	Mains power socket does not supply any power.	Check the fuses.
	The remote control 9 was not directed at the appliance.	On activation, aim the remote control at the pump 1.
	The battery in the remote control is empty.	Insert a new battery into the remote control.
Appliance does not let itself be switched off.	The battery in the remote control is empty.	Insert a new battery into the remote control.
	Function button 3 not pressed often enough.	Press the function button repeatedly until the appliance switches off.
There are no air bubbles exiting the air-bubble mat.	Appliance not switched on.	Switch the appliance on.
	Air hose 8 not properly connected.	Properly connect/lock the air hose to the air-bubble mat 6 and to the pump .
Air-bubble mat does not adhere to the floor of the bathtub.	Suction cups of the air-bubble mat are not clinging firmly to the floor of the bath.	Moisten the suction caps on the air-bubble mat and then press it firmly onto the bottom of the bath tub.
	Soap, shampoo or hair remnants prevent firm suction to the bottom of the bath tub.	Remove the soap, shampoo or hair remnants/rinse the bath tub out before pressing the air-bubble mat down.
Appliance stops automatically.	Cooling time after operation too short.	After use, allow the pump to cool for at least 10 minutes and first then restart it if still needed.

NOTICE

- If you cannot solve the problem with the aforementioned methods, please contact Customer Service.

Storage/Disposal

Storage

If you do not intend to use the appliance for a long time, unplug it from the mains power socket, remove the air hose and store it in a clean, dry place away from direct sunlight.. Clean the air bubble mat and let it dry well. Remove the battery from the remote control.

Disposal of the appliance



Do not dispose of this appliance in your normal domestic waste. This product is subject to the provisions of the European Directive 2002/96/EC-WEEE (Waste Electrical and Electronic Equipment).

Dispose of this appliance through an approved waste disposal centre or at your community waste facility. Observe the currently applicable regulations. In case of doubt, please contact your waste disposal centre.

Disposing of the batteries

Do not dispose of the batteries with household waste. Every consumer is statutorily obliged to dispose of batteries at a collection site of his community/city district or at a retail store. This obligation is intended to ensure that batteries are disposed of in an environmentally safe fashion. Only dispose of batteries when they are fully discharged.

GB
IE
CY

Appendix

Notes on the EC Declaration of Conformity

This device complies, in regards to conformance with the basic requirements and other relevant regulations, with the EMC Directive 2004/108/EC, as well as the Directive for Low Voltage Devices 2006/95/EC.



The complete original declaration of conformity can be obtained from the importer.

Technical data

Model	SLB 450 A1	
Operating voltage	220 - 240 V/ 50 Hz	
Power consumption	450 W	
Remote control battery	3 V, Type CR 2032 (Lithium Battery)	
Operating temperature	+5 - +45	°C
Humidity (no condensation)	5 - 90	%
Measurements (W x B x D)		
Pump	25 x 16 x 17	cm
Air-bubble mat	120 x 36 x 1.2	cm
Weight		
Pump	approx. 1.440	g
Air-bubble mat	approx. 720	g
Protection class	II /	
Protection type	IP45	
Automatic switch-off time	after 20 minutes	
Cooling time	min. 10 minutes	

Warranty

With this appliance you receive a warranty of 3 years from the date of purchase. This appliance has been manufactured with care and thoroughly tested before delivery.

Please retain your receipt as proof of purchase. In the case of a warranty claim, please make contact by telephone with our service department. Only in this way can a post-free despatch for your goods be assured.

NOTICE

- The warranty covers only claims for material and manufacturing defects, not for transport damages, worn parts or for damage to fragile components, e.g. buttons or batteries..

This product is for private use only and is not intended for commercial use. If this product has been subjected to improper or inappropriate handling, abuse, or modifications not carried out by one of our authorised service centres, the warranty will be considered void.

This warranty does not affect your statutory rights.
The warranty period is not extended by repairs effected under warranty.
This applies also to replaced and repaired parts.

Damages or defects discovered after purchase are to be reported directly after unpacking, at the latest two days after the purchase date. Repairs carried out after lapse of the warranty period are subject to charge.

Service

GB **DES UK LTD**
Tel.: 0871 5000 700 (£ 0.10 / minute)
e-mail: support.uk@kompernass.com

IE **Kompernass Service Ireland**
Tel: 1850 930 412 (0,082 EUR/Min.)
Standard call rates apply. Mobile operators may vary.
e-mail: support.ie@kompernass.com

CY **Kompernass Service Cyprus**
Tel: 800 9 44 01
e-mail: support.cy@kompernass.com

Importer

KOMPERNASS GMBH
BURGSTRASSE 21
44867 BOCHUM, GERMANY
www.kompernass.com

Free Manuals Download Website

<http://myh66.com>

<http://usermanuals.us>

<http://www.somanuals.com>

<http://www.4manuals.cc>

<http://www.manual-lib.com>

<http://www.404manual.com>

<http://www.luxmanual.com>

<http://aubethermostatmanual.com>

Golf course search by state

<http://golfingnear.com>

Email search by domain

<http://emailbydomain.com>

Auto manuals search

<http://auto.somanuals.com>

TV manuals search

<http://tv.somanuals.com>