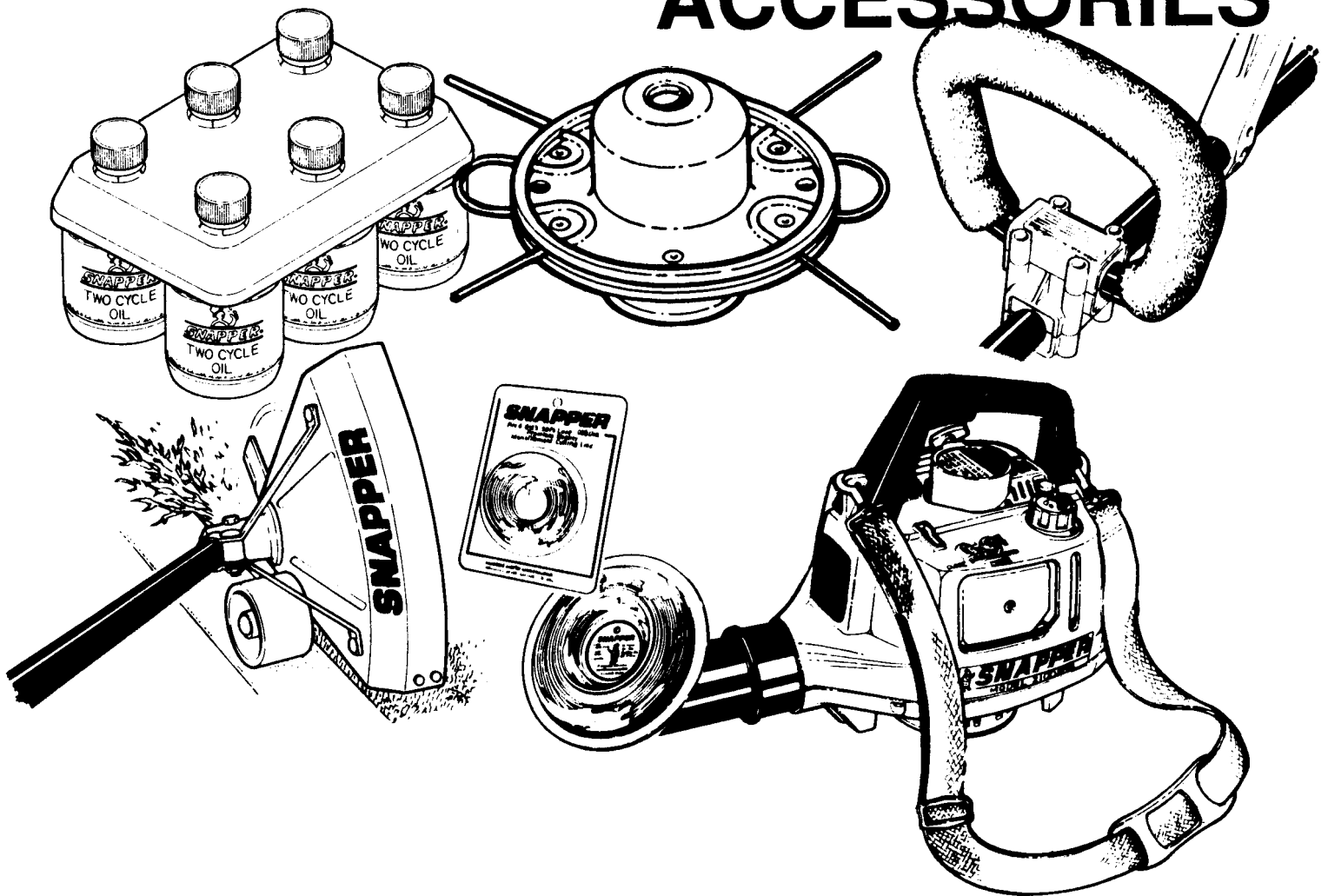


Parts Manual for

SNAPPER®

TRIMMERS & BLOWERS ACCESSORIES



SNAPPER POWER EQUIPMENT

McDonough, Georgia 30253
A Division of Fuqua Industries



(IR 11/89 ISSUE)

MANUAL #06117

TABLE OF CONTENTS

KIT NO.	DESCRIPTION	WHERE USED MODEL NO.	PAGE NO.
SECTION I			
TRIMMER ACCESSORIES			
6-8061	Vest Harness & Handlebar Kit	240,410,411,4111	3
6-8046	Plastic Shield Kit	210,211 214,215,311,2150	4
*6-8098	Heavy Duty Metal Shield Kit (Debris Guard)	210,211,215,240 245,310,311,410,4111	5
**6-8016	8" Dia., 8 Point Brush Blade	210,211,214,215,2150 240,245,310,311,2450, 410,411,4111,4150	6
**6-8030	8" Dia., 80 Tooth Sapling Blade	210,211,214,215,2150 240,245,310,311,2450, 410,411,4111,4150	6
6-8096	Steel Blade Hardware Kit	240	7
**6-8019	10" Dia., 8 Point Brush Blade	410,411,4111,4150	8
**6-8020	10" Dia., 80 Tooth Sapling Blade	410,411,4111,4150	8
‡ 6-8031	Steel Blade Edger Kit	210,211,215,240, 245,310,311,410,2450, 411,4111,4150	9
6-8011	Twin Line Manual Head Kit	240,245,310 410,411,4111	10
6-8108	Comfort Grip Handle Kit	210,310,311	11
6-8045	Spark Arrestor Muffler Kit	410	12
6-8100	.080 R.H. Twin Line (3/8-24 Thd.) Tap Feed Head	212,213,214	13
6-8101	.080 L.H. Twin Line (M10 x 1.25 Thd.) Tap Feed Head	210,211 215,310,311	14
6-8037	.095 L.H. Twin Line Tap Feed Head Kit	210,211 215,310,311	15
6-8102	Brush Blade Conversion Kit W/Metal Shield	210,211,214, 215,310,311	16-17
‡‡ 6-8104	Commercial Fixed Line Head (L.H., M10 x 1.25 Female Thread)	210,211,215,240, 245,310,311,410,411	18
‡‡ 6-8146	Commercial Fixed Line Head (R.H., 3/8 - 24 Female Thread)	212,213,214	18

SECTION II

TRIMMER ACCESSORIES CHARTS

STRING TRIMMER ACCESSORY APPLICATION CHART	19
TRIMMER REPLACEMENT LINE CHART	20
ENGINE OIL	20

SECTION III

BLOWER ACCESSORIES

6-8041	Gutter Cleaning Kit	All Blowers	21
6-8155	Vacuum Bagger Kit	2100 HHB	22
6-8109	Shoulder Strap Kit	2100 HHB	23
6-8043	Shoulder Strap Kit	250 BV	23

* This Kit is installed with #6-8031 Steel Blade Edger Kit.

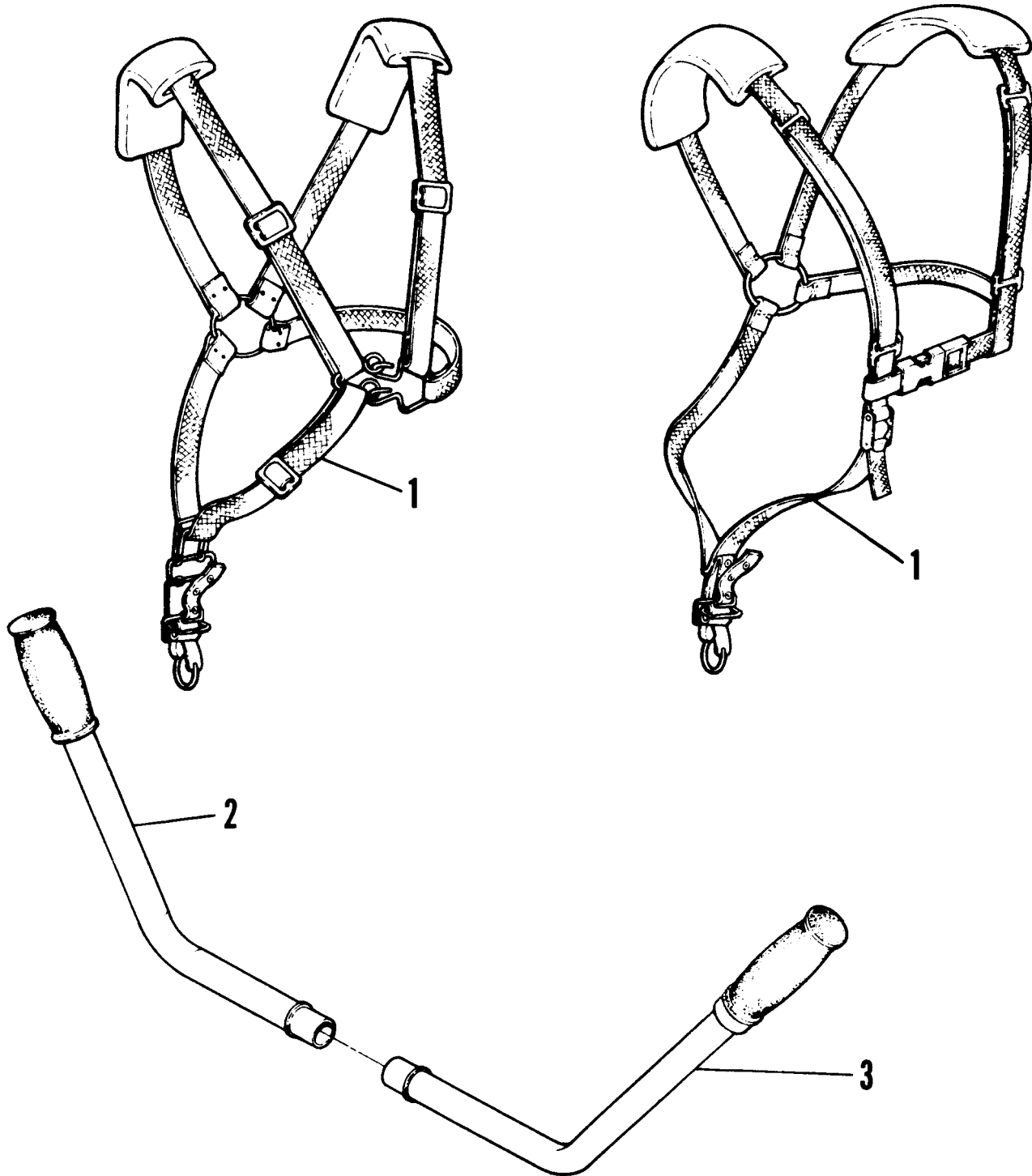
** Used with Metal Shield only.

‡ This Kit **must** be installed with #6-8098 Heavy Duty Shield Kit on Trimmer Model Nos. 210,211,215,240,2150, 245,311,410,2450, & 4150. The Steel Shield Kit is not required with 310,411, & 4111 Models.

‡‡ Includes 50 pc. Bundle of .105 Line, pre-cut at 16" length.

Section I - TRIMMER & ACCESSORIES

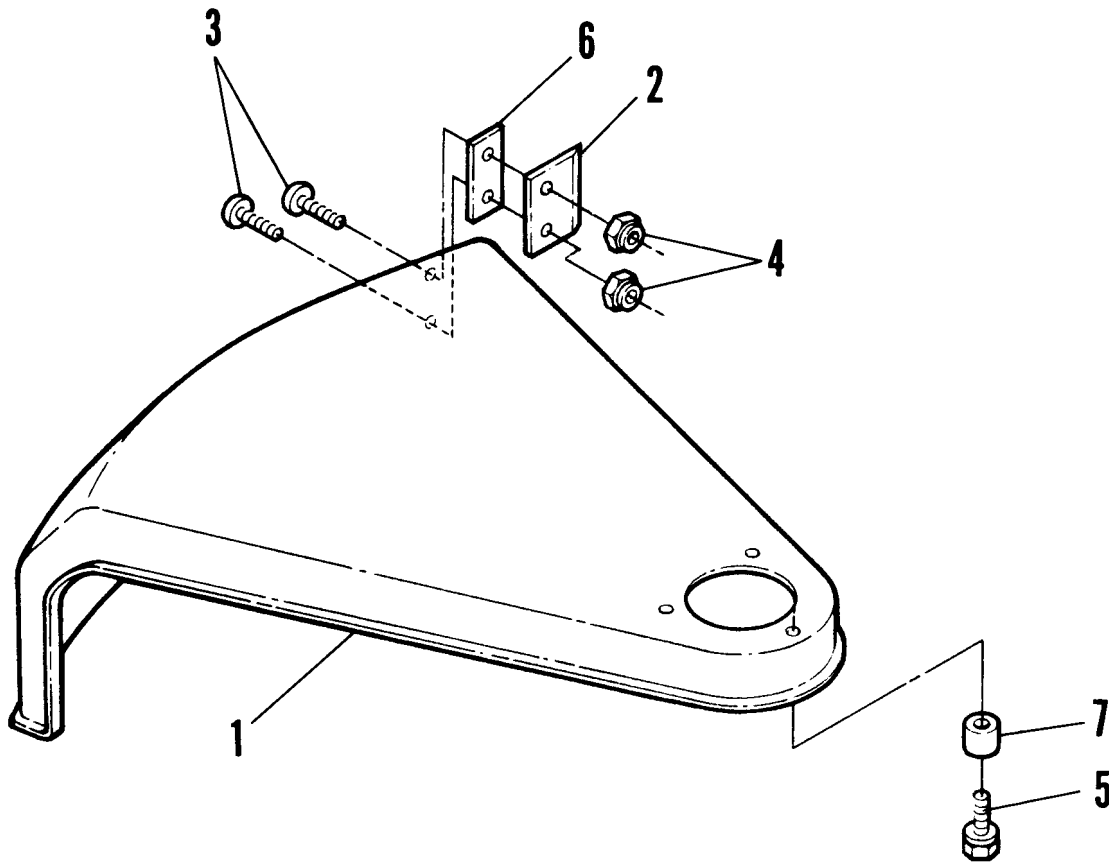
VEST HARNESS & HANDLEBAR KIT



ITEM	PART NO.	DESCRIPTION
—	6-8061	KIT, Vest Harness & Handlebar Kit (Includes Items 1 thru 3)
1	1-5558	VEST HARNESS, (Q.R.) Double Strap
2	5-1697	BULLHORN ASS'Y., L.H.
3	5-1696	BULLHORN ASS'Y., R.H.

Section I - TRIMMER ACCESSORIES

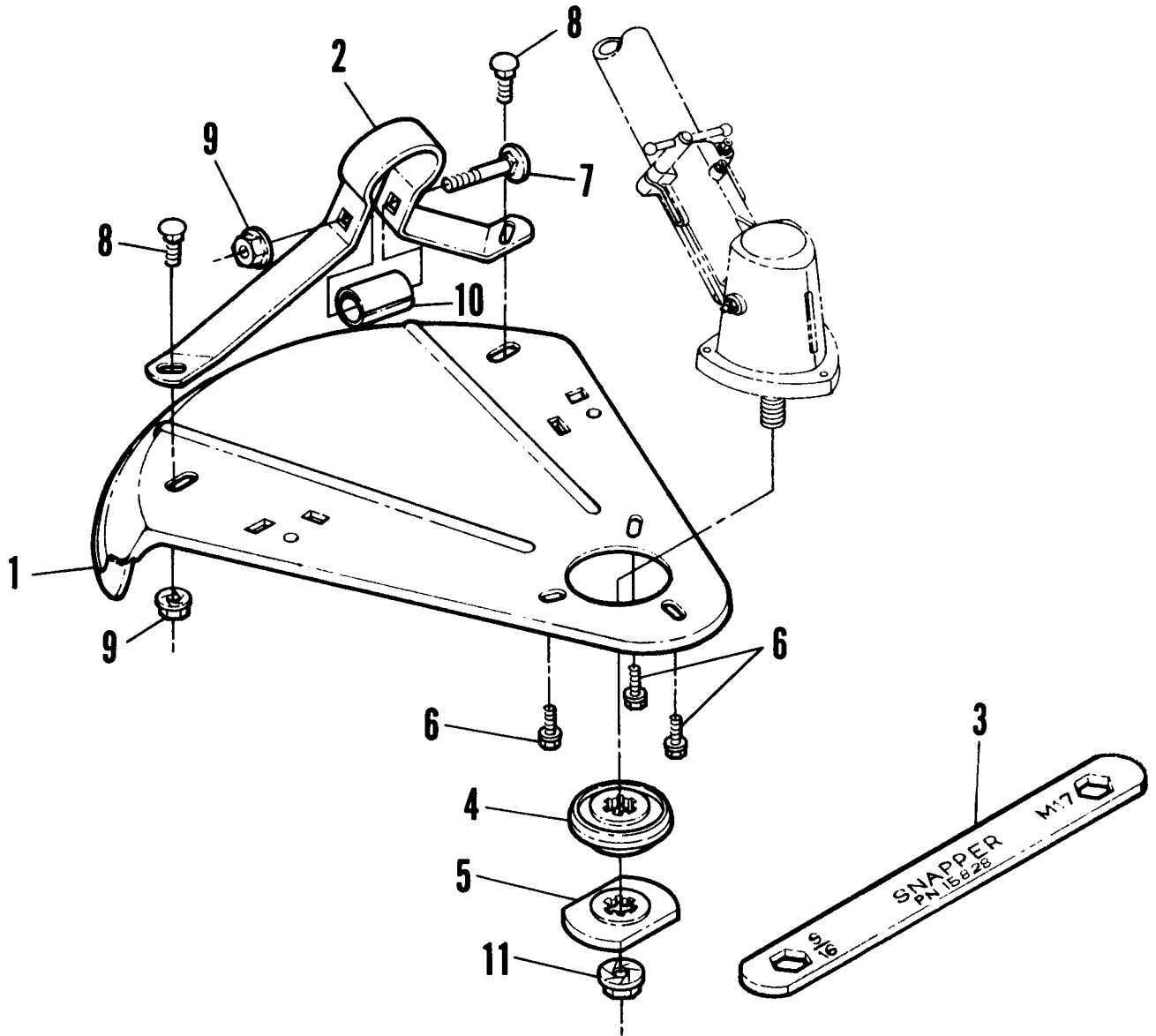
PLASTIC SHIELD KIT



ITEM	PART NO.	DESCRIPTION
-	6-8046	KIT, Plastic Shield (Includes Items 1 thru 7)
1	5-1665	SHIELD ASSEMBLY
2	1-5645	CUTTER, Line
3	9-0901	SCREW, #10 - 32 x 7/8 Torx Head (2)
4	9-0885	NUT, #10 - 32 Torx Lock (2)
5	4-3014	BOLT (3)
6	1-5644	BLOCK, Mounting
7	1-5240	SPACER (3)

Section I - TRIMMER ACCESSORIES

HEAVY-DUTY METAL SHIELD KIT (DEBRIS GUARD)

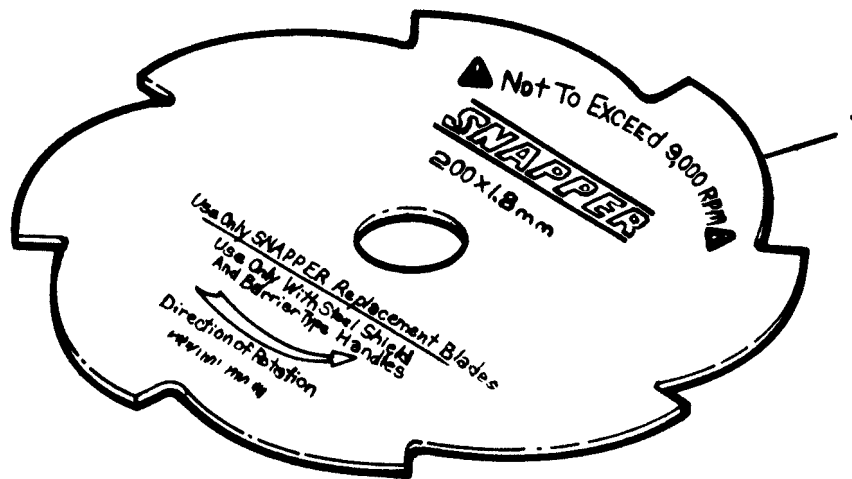


ITEM	PART NO.	DESCRIPTION
—	6-8098	KIT, Metal Shield (Includes Items 1 thru 11)
1	5-7466	ASSEMBLY, Steel Shield
2	3-6154	BRACKET, Shield Mounting
3	1-5828	WRENCH, Spanner
4	1-5681	BLADE HOLDER "A"
5	1-5682	BLADE HOLDER "B"
6	4-3014	SCREW, M5 - 16 Hex Machine (3)
7	9-0577	BOLT, 5/16 - 18 x 1-1/2" Carriage
8	9-0004	BOLT, 5/16 - 18 x 1/2" S.N. Carriage (2)
9	9-0585	NUT, 5/16 - 18 Hex Lock (3)
10	1-5299	BUSHING, Short Bracket
11	4-3911	NUT, Blade Holder

NOTE: This Kit is installed with #6-8031 STEEL BLADE EDGER KIT.

Section I - TRIMMER ACCESSORIES

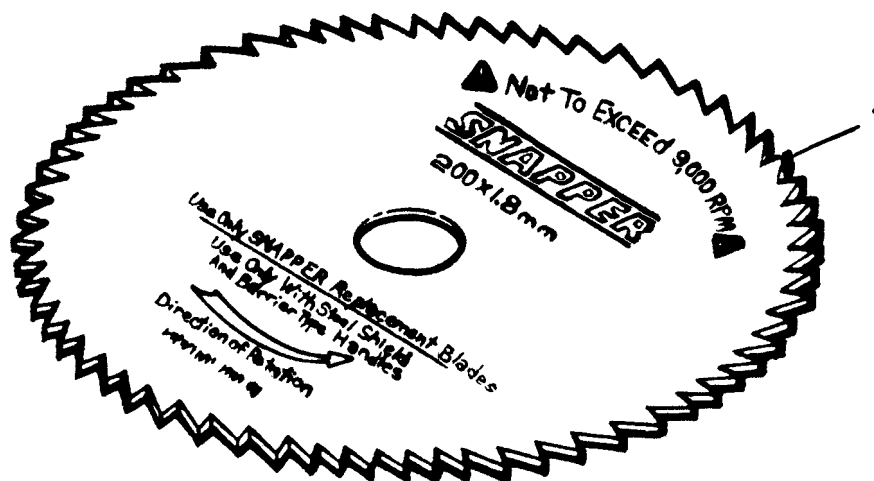
8" DIA., 8 POINT BRUSH BLADE



ITEM	PART NO.	DESCRIPTION
—	6-8016	KIT, 8" Dia., 8 Point Brush Blade (Includes Item 1) BLADE, 200 mm/8 Pt. Brush
1	4-3064	

NOTE: Used with METAL SHIELD Only.

8" DIA., 80 TOOTH SAPLING BLADE

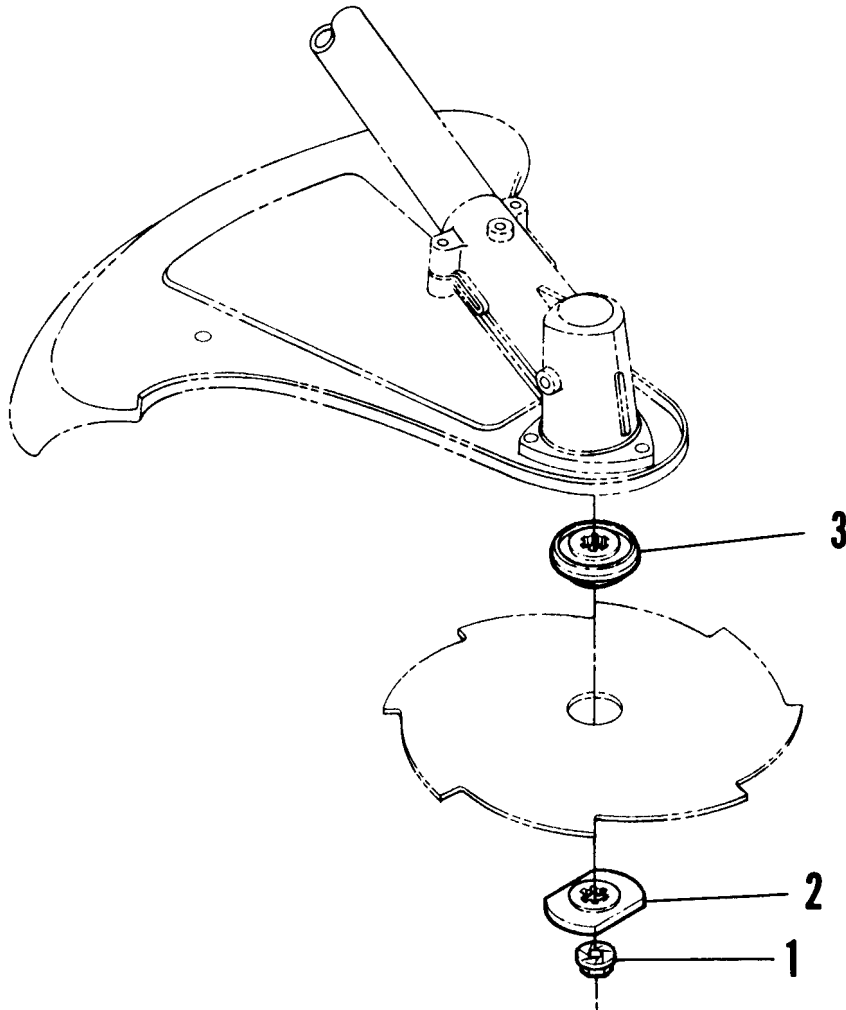


ITEM	PART NO.	DESCRIPTION
—	6-8030	KIT, 8" Dia., 80 Tooth Sapling Blade (Includes Item 1) BLADE, 200 mm/80 Pt. Saw
1	4-3008	

NOTE: Used with METAL SHIELD Only.

Section I - TRIMMER ACCESSORIES

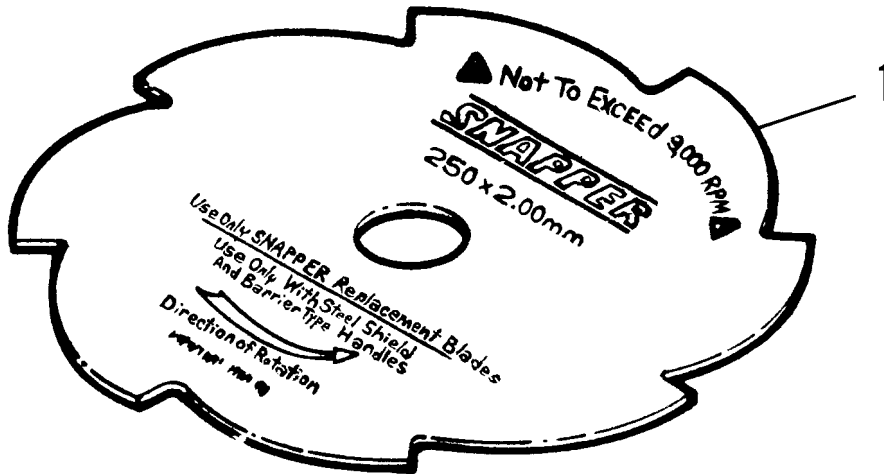
STEEL BLADE HARDWARE KIT



ITEM	PART NO.	DESCRIPTION
-	6-8096	KIT, Steel Blade Hardware (Includes Items 1 thru 3)
1	4-3911	NUT, Lock
2	1-5682	HOLDER - "B"
3	1-5681	HOLDER - "A"

Section I - TRIMMER ACCESSORIES

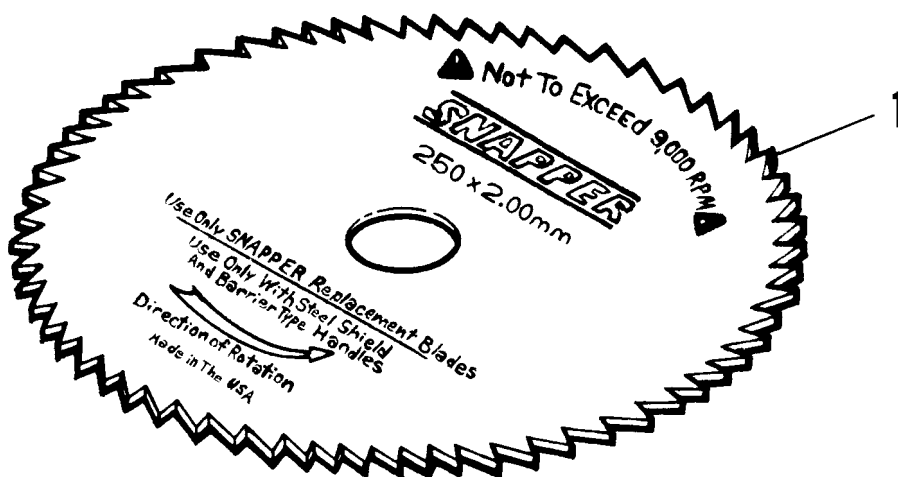
10" DIA., 8 PT. BRUSH BLADE KIT



ITEM	PART NO.	DESCRIPTION
—	6-8019	KIT, 10" Dia., 8 Pt. Brush Blade (Includes Item 1)
1	4-3066	BLADE, 250 mm/8 Pt. Brush

NOTE: Used with METAL SHIELD Only.

10" DIA., 80 TOOTH SAPLING BLADE KIT

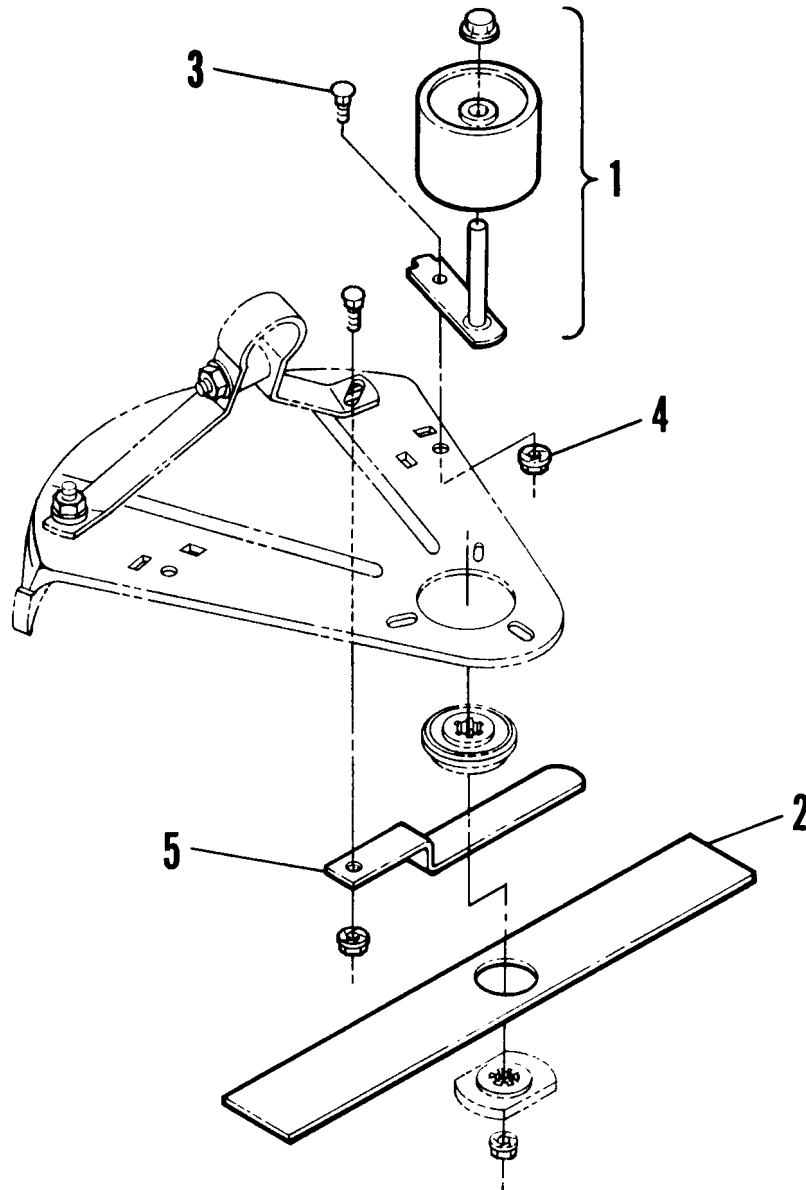


ITEM	PART NO.	DESCRIPTION
—	6-8020	KIT, 10" Dia., 80 Tooth Sapling Blade (Includes Item 1)
1	4-3067	BLADE, 250 mm/80 Tooth Saw

NOTE: Used with METAL SHIELD Only.

Section I - TRIMMER ACCESSORIES

STEEL BLADE EDGER KIT

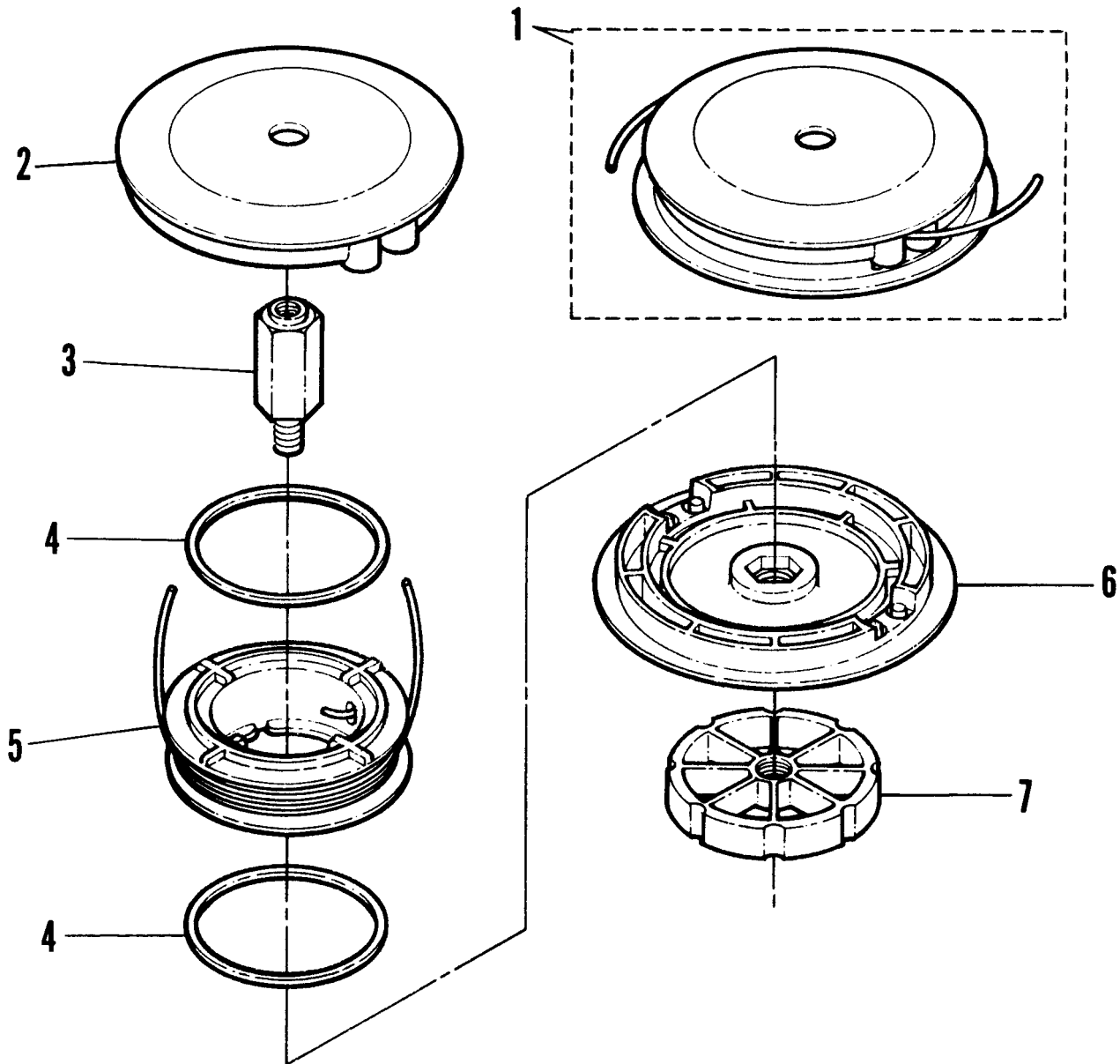


ITEM	PART NO.	DESCRIPTION
-	6-8031	KIT, Steel Blade Edger (Includes Item 1 thru 6)
1	5-1599	ASSEMBLY, Wheel & Bracket (Also Includes Items 3 & 4)
-	1-5248	ASSEMBLY, Bracket & Shaft
-	1-8771	WHEEL
-	1-4851	PUSHNUT
2	1-8955	BLADE
3	9-0004	BOLT, 5/16 - 18 x 1/2" Short Neck Carriage
4	9-0585	NUT, 5/16 - 18 Hex Flange Lock
5	3-2839	GUIDE, EDGER
6	1-8774	CARD/PACK (Not Illustrated)

NOTE: This Kit **must** be installed with #6-8098 HEAVY DUTY SHIELD KIT on TRIMMER MODELS Nos. 210,211, 215,240,2150,245,311,410,2450, & 4150. The STEEL SHIELD KIT is not required with 310,411, & 4111 MODELS.

Section I - TRIMMER ACCESSORIES

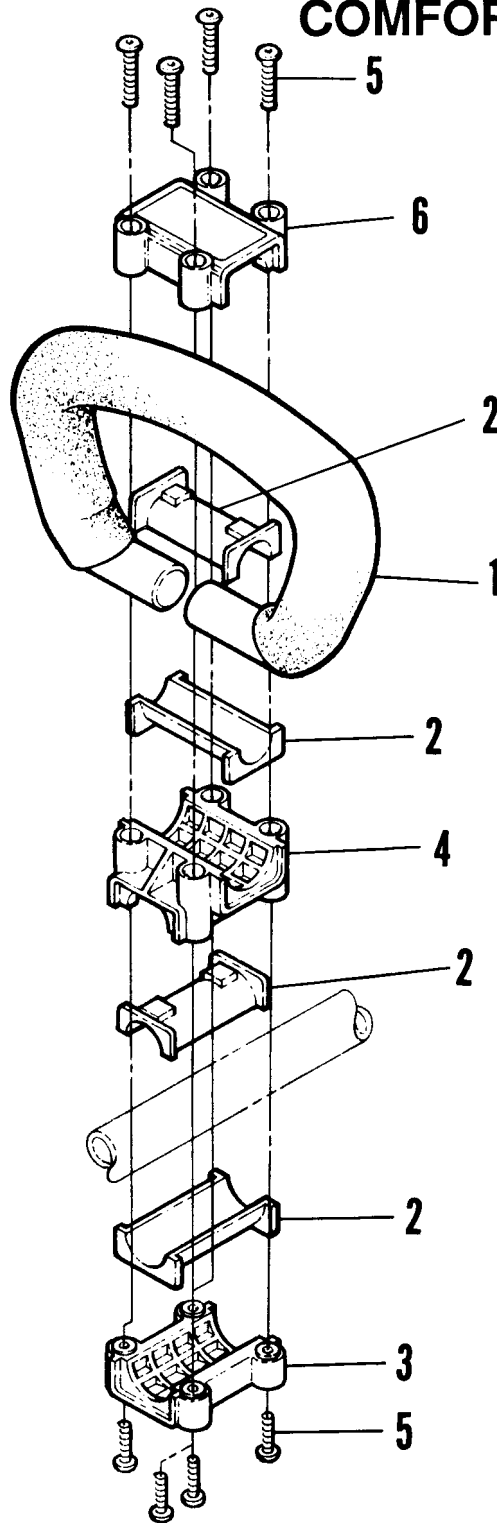
TWIN LINE MANUAL HEAD KIT



ITEM	PART NO.	DESCRIPTION
—	6-8011	KIT, Twin Line Manual Head (Includes Items 1 thru 8)
1	1-8724	HEAD, Twin Line Manual (Includes Items 2 thru 7)
2	1-5078	ASSEMBLY, Upper Housing
3	1-5077	ARBOR
4	1-5076	O-RING (2)
5	6-8012	ASSEMBLY, Spool & Line
6	1-5073	LOWER HOUSING
7	6-8013	LOCK KNOB
8	1-8784	CARD/PARTS (Not Illustrated)

Section I - TRIMMER ACCESSORIES

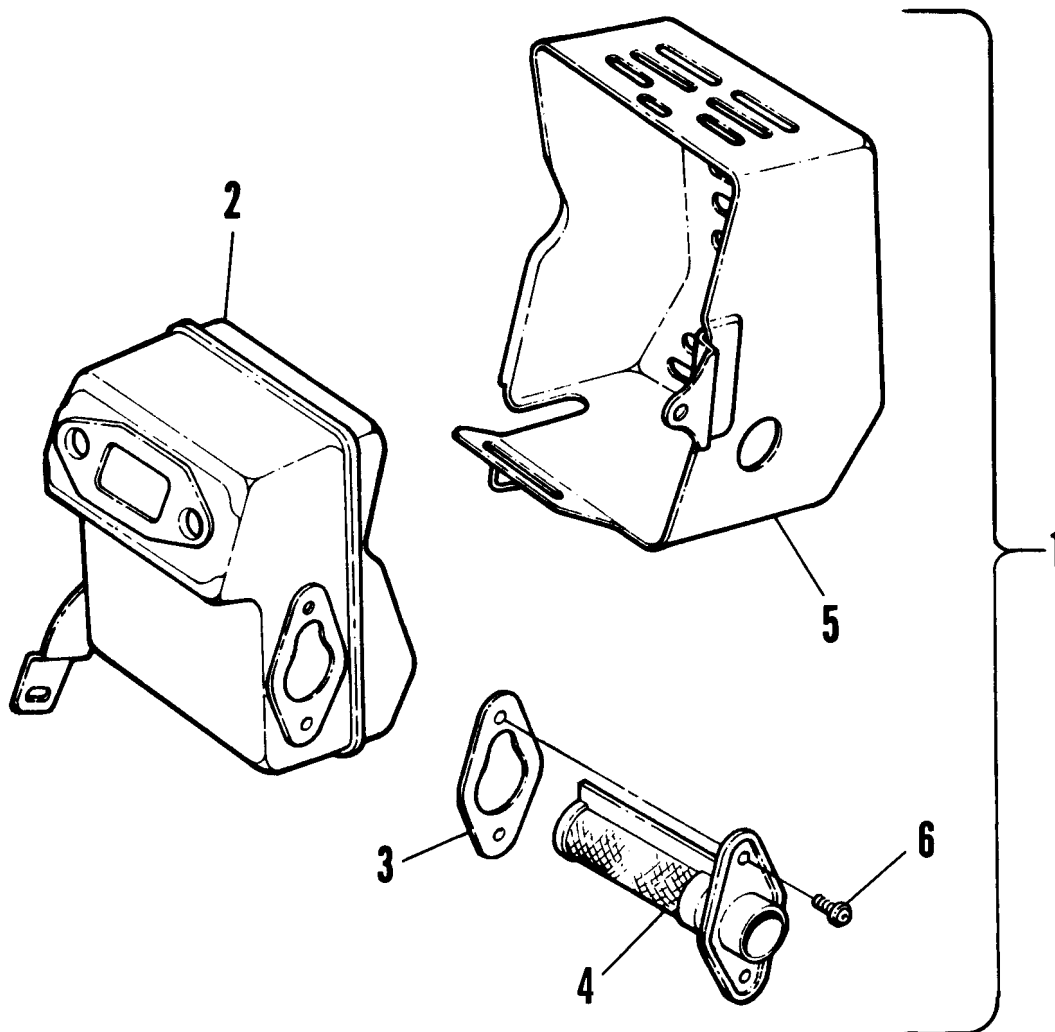
COMFORT GRIP HANDLE KIT



ITEM	PART NO.	DESCRIPTION
—	6-8108	KIT, Comfort Grip Handle (Includes Items 1 thru 6)
1	5-1671	ASSEMBLY, Loop Handle
2	1-5739	ISO-MOUNT (4)
3	1-8909	CAP, Handle Mount
4	1-7001	MOUNT, Center Handle
5	9-0902	SCREW, #10-16 x 3/4" Torx Head (8)
6	5-1738	ASSEMBLY, Cap & Decal

Section I - TRIMMER ACCESSORIES

SPARK ARRESTER MUFFLER KIT

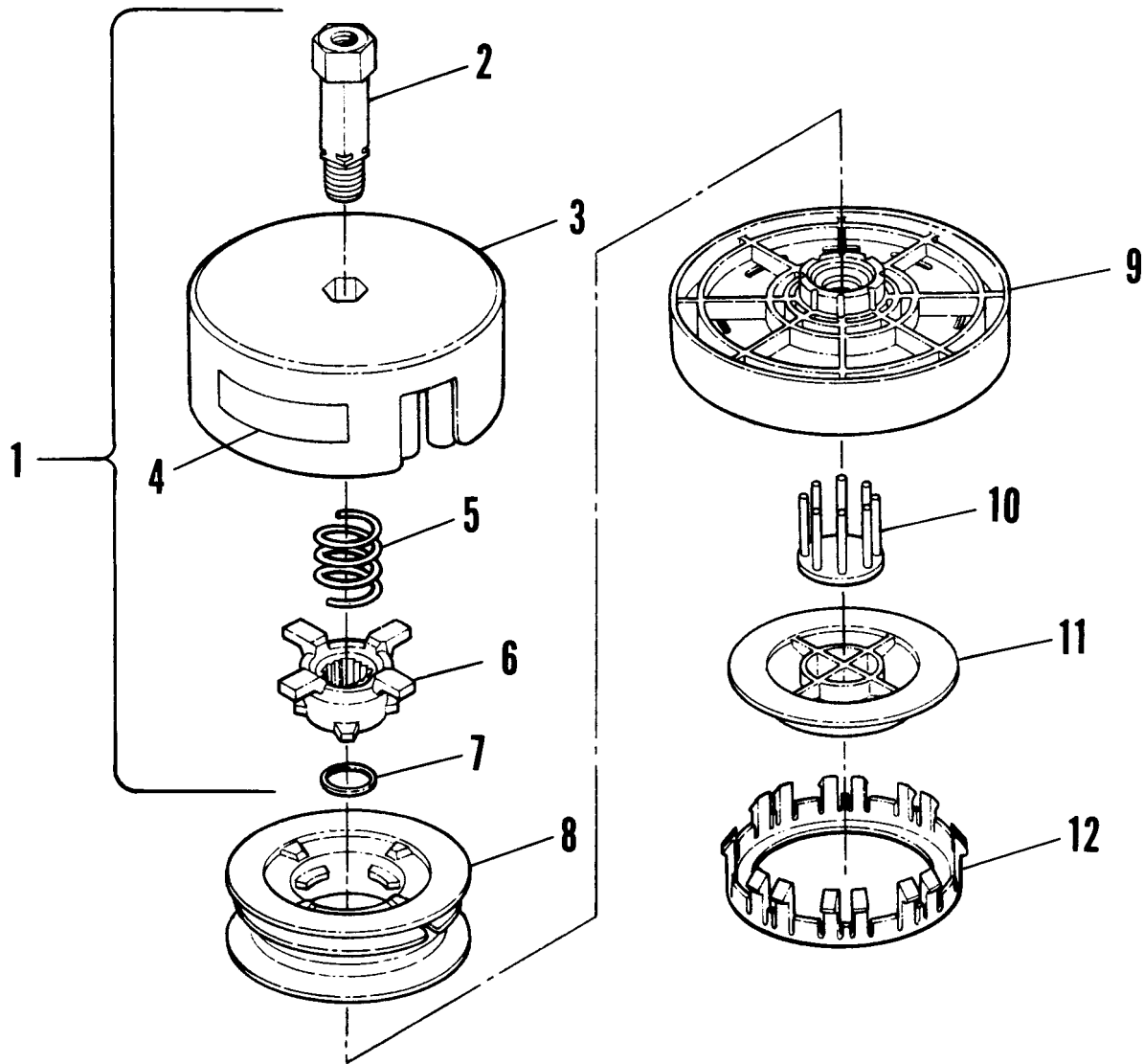


ITEM	PART NO.	DESCRIPTION
—	6-8045	KIT, Spark Arrester Muffler (Includes Item 1)
1	4-4245	MUFFLER, Spark Arrester (Includes Items 2 thru 6)
2	4-4240	BODY, Muffler
3	4-4241	GASKET
4	4-4242	SCREEN, Spark Arrester
5	4-4243	COVER, Muffler
6	4-4093	SCREW, M4 x 8 (2)

NOTE: Approved by CA & US FOREST SERVICE.

Section I - TRIMMER ACCESSORIES

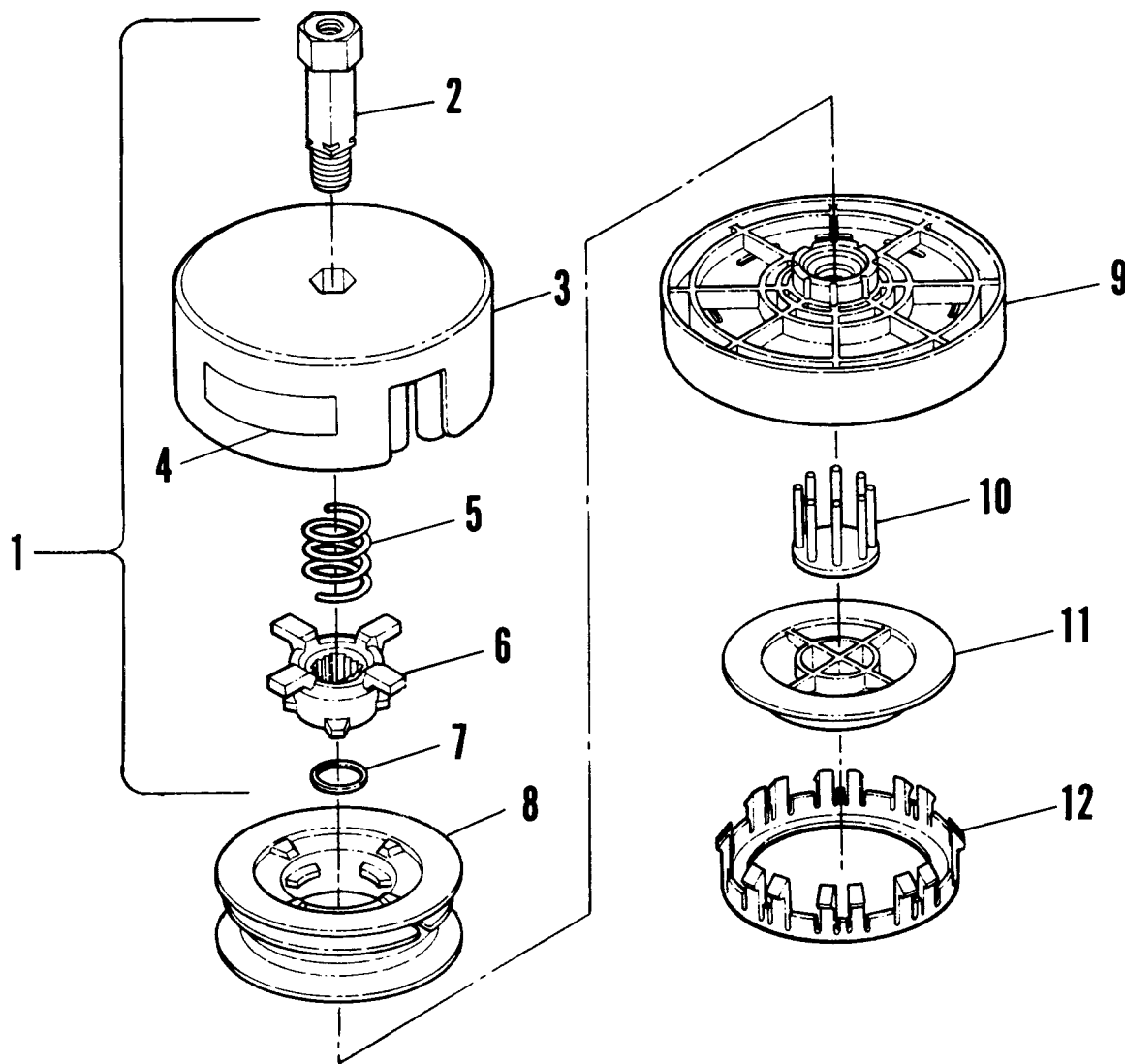
.080 R.H. TWIN LINE (3/8-24 THD.) TAP FEED HEAD



ITEM	PART NO.	DESCRIPTION
-	6-8100	KIT, Tap Head/R.H.
-	1-8888	TAP HEAD/R.H. (Includes Items 1 thru 12)
1	1-5911	HOUSING ASSEMBLY - Curved Shaft Models (Incl. Items 2-7)
2	1-5905	ARBOR, Curved Shaft Models
3	1-5906	HOUSING
4	1-5755	LABEL, Removal Direction - Curved Shaft
5	1-5907	SPRING
6	1-5908	INDEXER (Includes Item 7)
7	1-1909	RETAINER WIRE
8	1-5912	SPOOL
9	1-5914	BASE - Curved Shaft Models
10	1-5915	ACTUATOR
11	1-5916	KNOB, Bump
12	1-5917	RETAINER, Bump Knob

Section I - TRIMMER ACCESSORIES

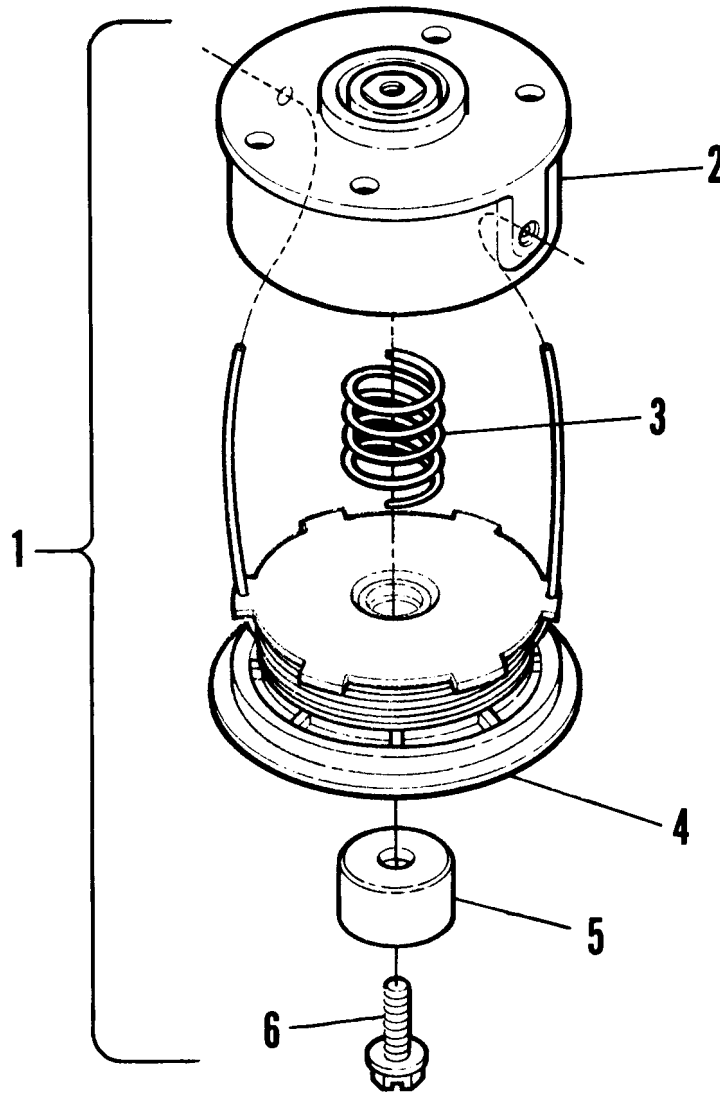
.080 L.H. TWIN LINE (M10 x 1.25 THD.) TAP FEED HEAD



ITEM	PART NO.	DESCRIPTION
—	6-8101	KIT, Tap Head/L.H.
—	1-8911	TAP HEAD/L.H. (Includes Items 1 thru 12)
1	1-5910	HOUSING ASSEMBLY - Straight Shaft Models (Incl. Items 2-7)
2	1-5904	ARBOR, Straight Shaft Models
3	1-5906	HOUSING
4	1-5756	LABEL, Removal Direction - Straight Shaft
5	1-5907	SPRING
6	1-5908	INDEXER (Includes Item 7)
7	1-5909	RETAINER WIRE
8	1-5912	SPOOL
9	1-5913	BASE - Straight Shaft Models
10	1-5915	ACTUATOR
11	1-5916	KNOB, Bump
12	1-5917	RETAINER, Bump Knob

Section I - TRIMMER ACCESSORIES

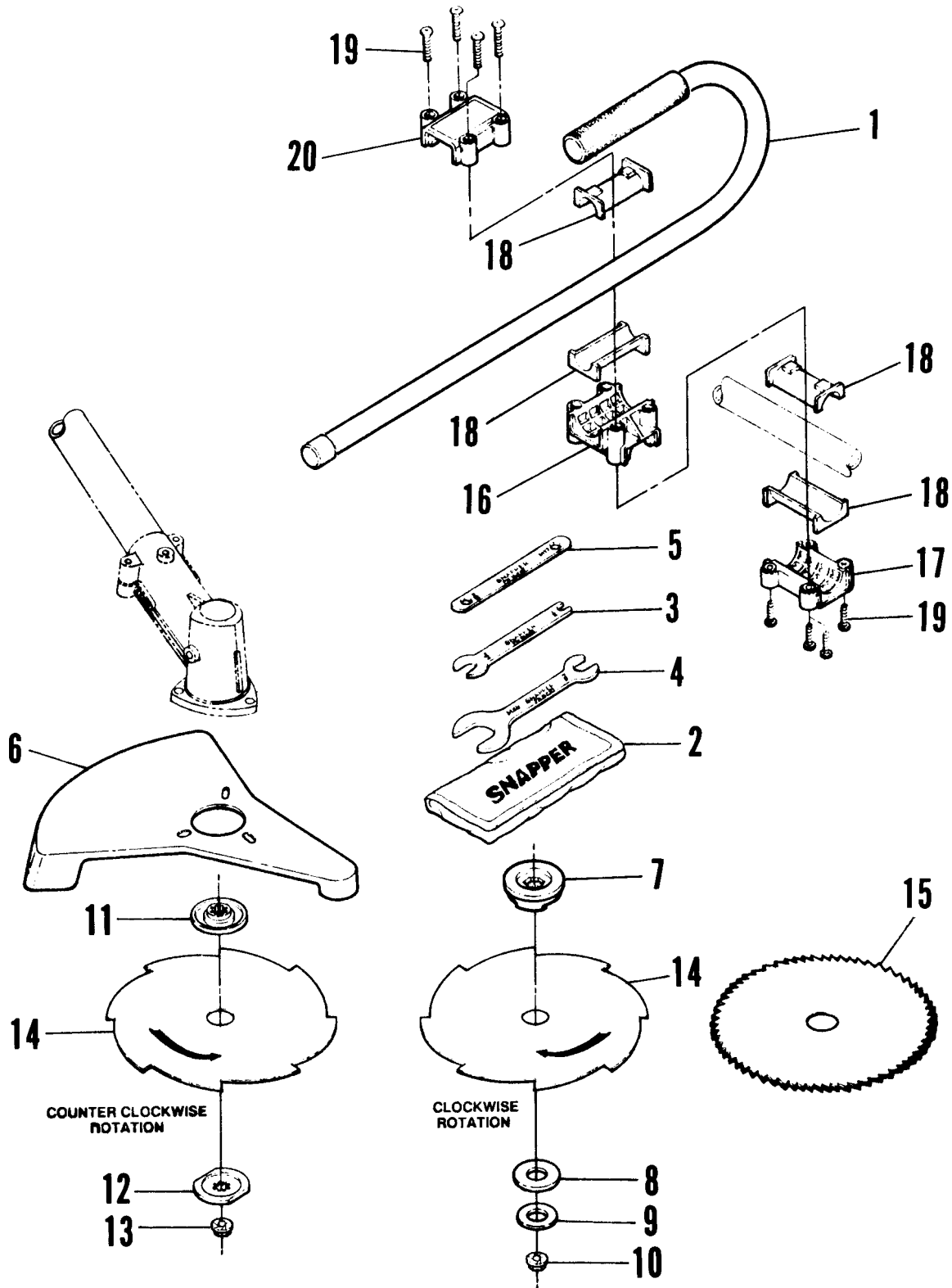
.095 L.H. TWIN LINE TAP FEED HEAD KIT



ITEM	PART NO.	DESCRIPTION
-	6-8037	KIT, .095 L.H. Twin Line Tap Feed Head (Includes Items 1 thru 7)
1	4-2081	HEAD, Twin Line Bump, L.H. (Includes Items 2 thru 6)
2	4-2073	ASSEMBLY, Hub
3	4-2074	SPRING
4	4-2082	ASSEMBLY, Spool & Line
5	2-1971	KNOB, Bump
6	4-2083	BOLT, Slotted Hex Flange, L.H.
7	1-8784	CARD/Parts (Not Illustrated)

Section I - TRIMMER ACCESSORIES

BRUSH BLADE CONVERSION KIT WITH METAL SHIELD



Section I - TRIMMER ACCESSORIES

BRUSH BLADE CONVERSION KIT WITH METAL SHIELD

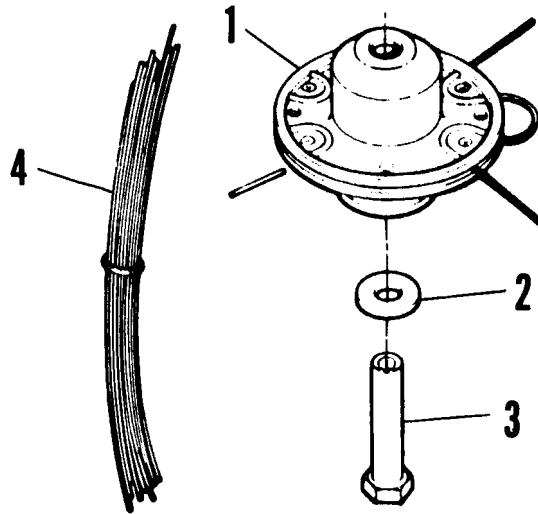
ITEM	PART NO.	DESCRIPTION
-	6-8102	KIT, Brush Blade (Includes Items 1 thru 20)
1	5-1703	ASSEMBLY, Barrier Handle
2	6-8103	KIT, Tool (Includes Items 3 thru 5)
3	1-5826	WRENCH, 3/4 x 1/2
4	1-5827	WRENCH, 7/8 x M38
5	1-5828	WRENCH, 9/16 x M17
6	3-6228	SHIELD
*7	1-8934	SHIELD, Dust
*8	1-2063	WASHER, 3/8 Belleville
*9	3-2030	WASHER, 3/8 Flat
*10	9-0155	NUT, 3/8 Hex.
**11	1-5681	HOLDER "A"
**12	1-5682	HOLDER "B"
**13	4-3911	NUT, M10 Hex Lock
-	6-8016	KIT, 8" Dia., 8 Pt. Brush Blade (Includes Item 14)
14	4-3064	BLADE, 200 mm/8 Pt. Brush
-	6-8030	KIT, 8" Dia., 80 Tooth Sapling Blade (Includes Item 15)
15	4-3008	BLADE, 200 mm/80 Pt. Saw
16	1-7001	MOUNT, Center Handle
17	1-8909	CAP, Mount Handle
18	1-5739	ISO - MOUNT (4)
19	9-0902	SCREW, #10-16 x 3/4" Torx Head (8)
20	5-1738	ASSEMBLY, Cap & Decal

* Items 7,8,9, and 10 used on MODEL 214DCST Only.

** Items 11,12, and 13 used on MODELS 210,211,215,310 &311.

Section I - TRIMMER ACCESSORIES

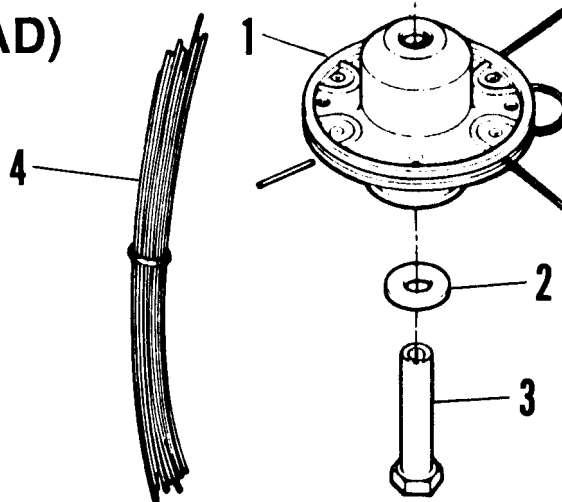
COMMERCIAL FIXED LINE HEAD (L.H. M10 x 1.25 FEMALE THREAD)



ITEM	PART NO.	DESCRIPTION
-	6-8104	KIT, Fixed Line Head, L.H. (Includes Items 1 thru 4)
1	5-7500	ASSEMBLY, Fixed Line Head
2	2-2039	PAD, Wear
3	2-3099	SHAFT, Adaptor/L.H.
*4	1-5520	.105 LINE, 50 pc., 16" Lg.

* Also available .095 Line (#6-8063) and .130 Line (#6-8065).

COMMERCIAL FIXED LINE HEAD (R.H. FEMALE THREAD)



ITEM	PART NO.	DESCRIPTION
-	6-8146	KIT, Fixed Line Head, R.H. (Includes Items 1 thru 4)
1	5-7500	ASSEMBLY, Fixed Line Head
2	2-2039	PAD, Wear
3	2-3100	SHAFT, Adaptor/R.H.
*4	1-5520	.105 LINE, 50 pc., 16" Lg.

* Also available .095 Line (#6-8063) and .130 Line (#6-8065).

Section II - TRIMMER ACCESSORY CHARTS

STRING TRIMMER ACCESSORY APPLICATION CHART

USE THE ACCESSORY PART NUMBER SHOWN BELOW EACH MODEL NUMBER TO CONVERT SNAPPER STRING TRIMMERS TO BRUSH CUTTERS OR EDGERS.

TRIMMER MODEL NO.	P212CST 212CST 213CST	214DCST	215SST	210SST 211SST	310SST 311SST	240SST	245SSTBC	410SST	411SST 4111SST
Brush Blade Conversion Kit	NA	6-8102	6-8102	6-8102	6-8102	NA	NA	NA	NA
Heavy Duty Metal Shield Kit	NA	NA	NR	NR	NR	NR	NR	NR	STD
8" 8-Point Brush Blade	NA	NR	NR	NR	NR	6-8016	STD	6-8016	6-8016
8" 80-Tooth Sapling Blade	NA	NR	NR	NR	NR	6-8030	STD	6-8030	6-8030
10" 8-Point Brush Blade	NA	NA	NA	NA	NA	NA	NA	6-8019	6-8019
10" 80-Tooth Sapling Blade	NA	NA	NA	NA	NA	NA	NA	6-8020	6-8020
Steel Blade Hardware Kit	NA	NA	NA	NA	NA	6-8096	STD	NR	NR

USE THE ACCESSORY PART NUMBER SHOWN BELOW EACH MODEL NUMBER TO CONVERT SNAPPER STRING TRIMMER TO STEEL BLADE EDGERS.

TRIMMER MODEL NO.	P212CST 212CST 213CST	214DCST	215CST	210SST 211SST	310SST 311SST	240SST	245SSTBC	410SST	411SST 4111SST
Heavy Metal Shield Kit	NA	NA	6-8098	6-8098	6-8098	6-8098	6-8098	6-8098	STD
Steel Blade Edger Kit	NA	NA	6-8031	6-8031	6-8031	6-8031	6-8031	6-8031	6-8031

NA - NOT APPLICABLE
 NR - NOT REQUIRED
 STD - STANDARD EQUIPMENT

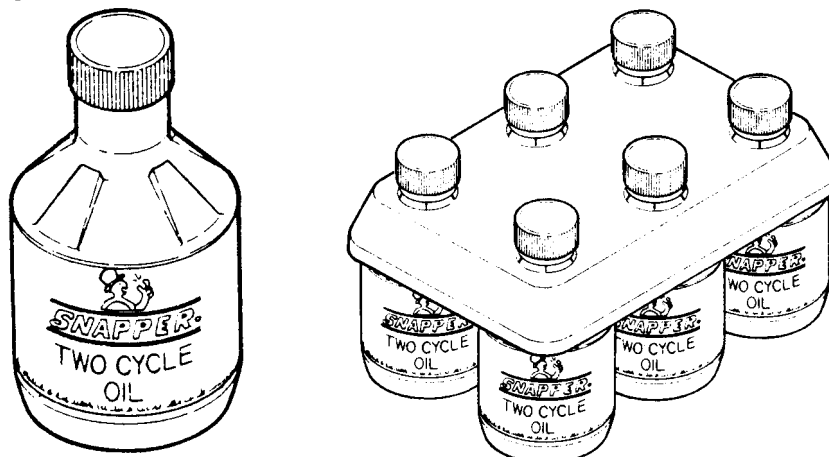
- NOTE #1:** USE 6-8061 VEST HARNESS AND HANDLEBAR KIT TO CONVERT MODELS 240,410, AND 411 TO PROFESSIONAL TYPE STRING TRIMMERS OR BRUSH CUTTERS. THIS KIT REDUCES OPERATOR FATIGUE WHEN MACHINE IS USED FOR EXTENDED PERIODS. THIS KIT INCLUDES DUAL HANDLEBARS AND A DOUBLE SHOULDER VEST HARNESS WITH A QUICK RELEASE STRAP.
- NOTE #2:** 6-8102 BRUSH BLADE CONVERSION KIT INCLUDES ONE METAL SHIELD, ONE "J" HANDLE WITH BARRIER POLE, ONE 8" 8-POINT BRUSH BLADE AND ONE 8" 80-TOOTH SAPLING BLADE.
- NOTE #3:** 6-8098 HEAVY DUTY METAL SHIELD KIT INCLUDES A REINFORCED HEAVY GAUGE METAL SHIELD DESIGNED FOR BRUSH BLADE AND STEEL BLADE EDGER APPLICATIONS.
- NOTE #4:** 6-8031 STEEL BLADE EDGER KIT INCLUDES A STEEL EDGER BLADE AND A GUIDE WHEEL. THIS KIT **MUST** BE INSTALLED WITH THE 6-8098 HEAVY DUTY SHIELD KIT.

Section II - TRIMMER ACCESSORY CHARTS

TRIMMER REPLACEMENT LINE CHART

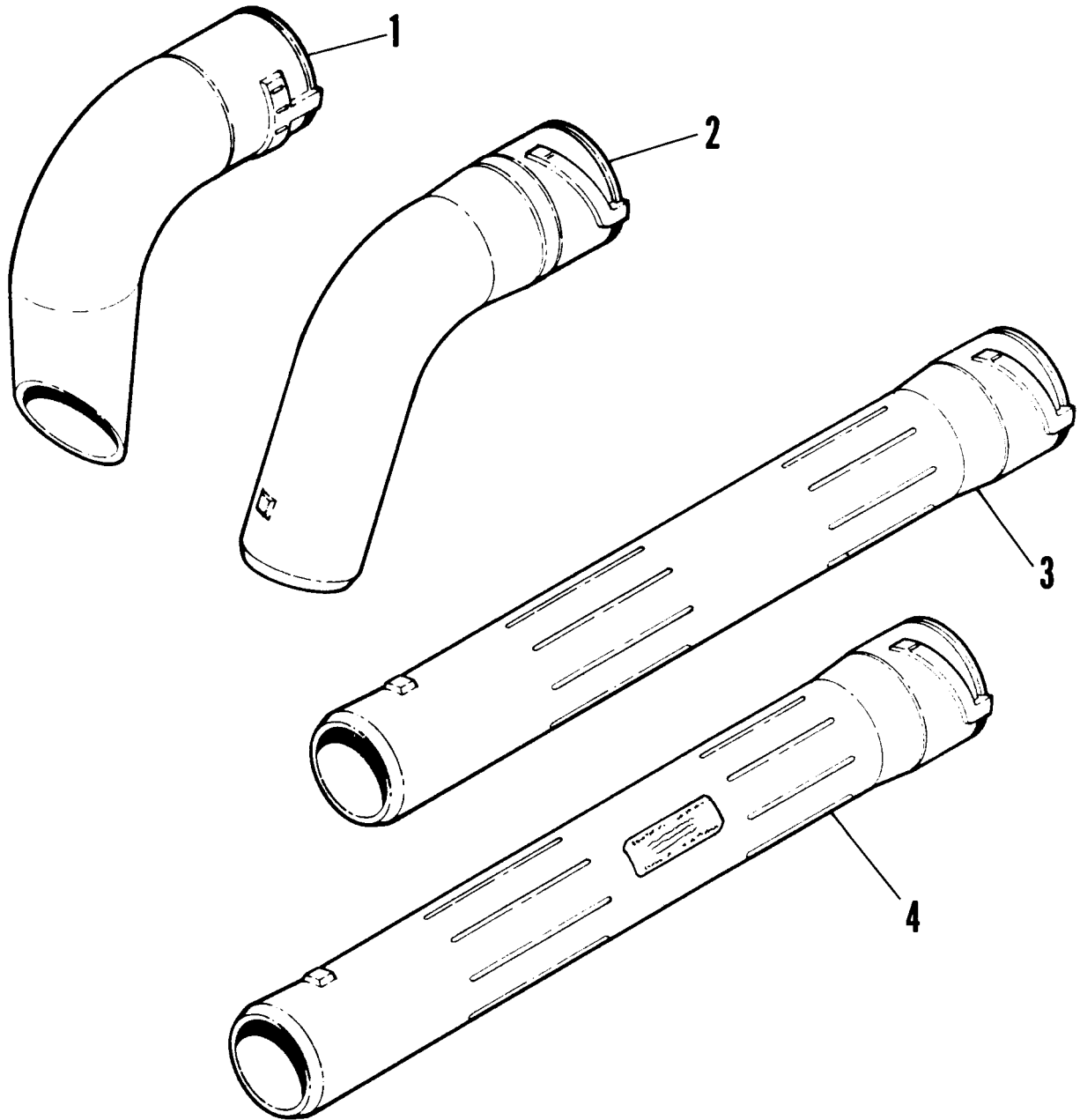
PART NO.	DESCRIPTION
.065 Line	
6-8110	50' LOOP, .065 Line
6-8111	1/2 LB. DONUT, .065 Line
6-8113	1 LB. DONUT, .065 Line
.080 Line	
6-8117	50' Loop, .080 Line
6-8118	1/2 Lb. Donut, .080 Line
6-8120	1 Lb. Donut, .080 Line
6-8122	3 Lb. Spool, .080 Line
6-8123	5 Lb. Spool, .080 Line
6-8124	12.5 Lb. Spool, .080 Line
.095 Line	
6-8063	50 - 16" Lengths, .095 Line
6-8125	50' Loop, .095 Line
6-8126	1/2 Lb. Donut, .095 Line
6-8128	1 Lb. Donut, .095 Line
6-8130	3 Lb. Spool, .095 Line
6-8131	5 Lb. Spool, .095 Line
6-8132	12.5 Lb. Spool, .095 Line
.105 Line	
6-8064	50 - 16" Lengths, .105 Line
6-8133	50' Loop, .105 Line
6-8134	1/2 Lb. Box, .105 Line
6-8135	1 Lb. Box, .105 Line
6-8136	3 Lb. Spool, .105 Line
6-8137	5 Lb. Spool, .105 Line
6-8138	12.5 Lb. Spool, .105 Line
.130 Line	
6-8065	50 - 16" Lengths, .130 Line
6-8139	50' Loop, .130 Line
6-8140	1/2 Lb. Box, .130 Line
6-8141	1 Lb. Box, .130 Line
6-8142	3 Lb. Spool, .130 Line
6-8143	5 Lb. Spool, .130 Line
6-8144	12.5 Spool, .130 Line

SNAPPER 2-CYCLE ENGINE OIL



PART NO.	DESCRIPTION
6-0744 (1 Bottle)	BIA Certified TC-W Oil for use in SNAPPER 2-Cycle Trimmer & 2-Cycle Lawn Mower Blower Engines . Available in 6 pack of 4 ounce bottles. Mix Ratio: (1) 4 Ounce per (1) Gallon Gasoline.

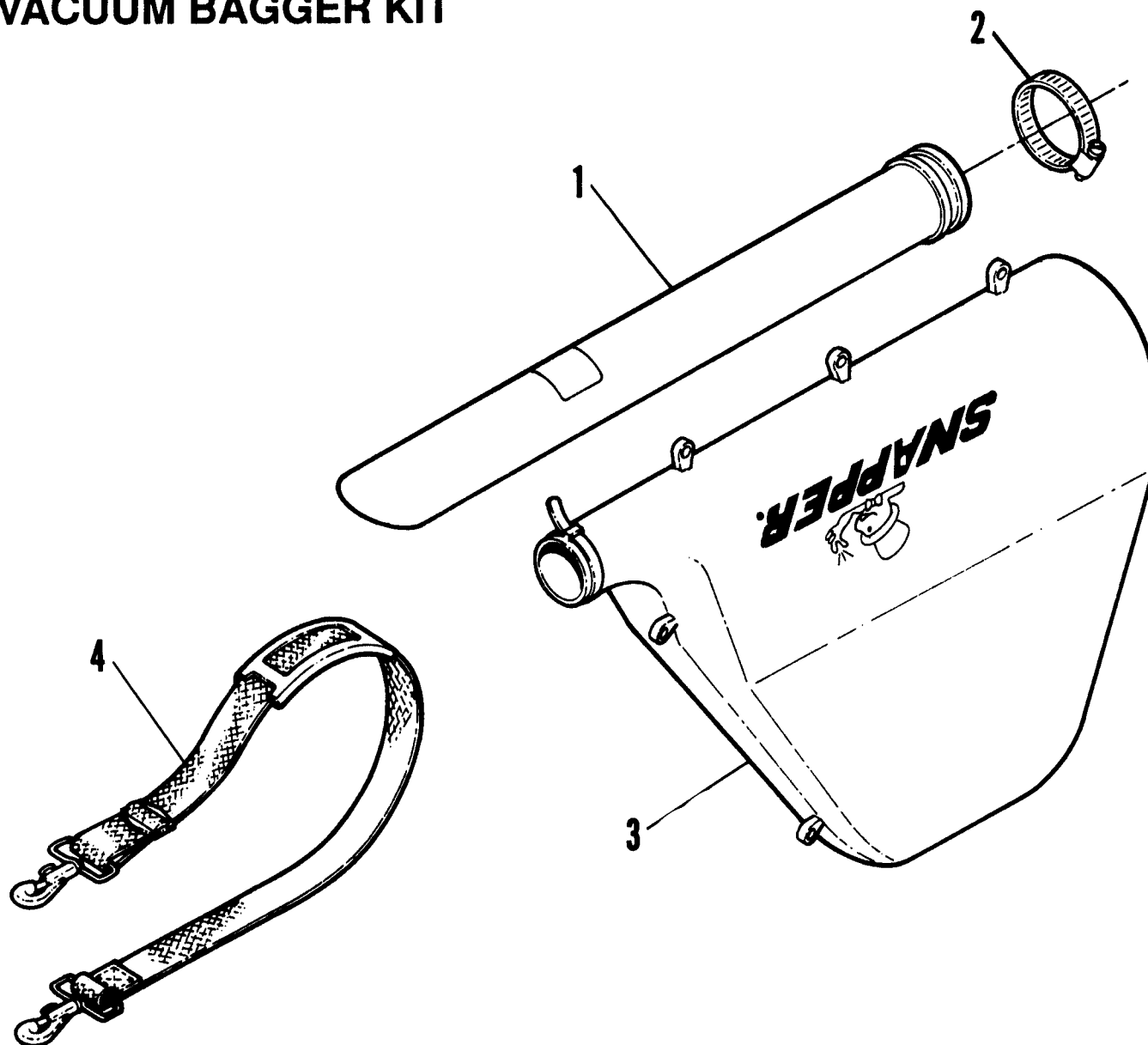
Section III - BLOWER ACCESSORIES GUTTER CLEANING KIT



ITEM	PART NO.	DESCRIPTION
-	6-8041	KIT, Gutter Cleaning (Includes Items 1 thru 4)
1	1-8812	OUTLET
2	1-8813	ELBOW, 75°
3	1-8814	TUBE, Straight (3)
4	5-1792	TUBE/LABEL ASSEMBLY

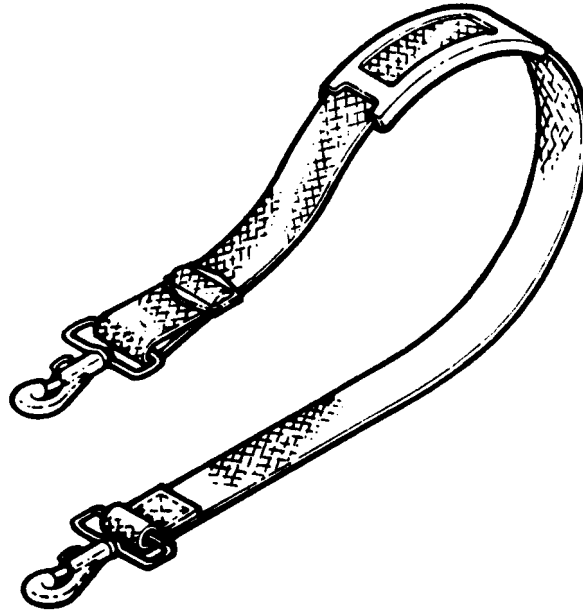
Section III - BLOWER ACCESSORIES

VACUUM BAGGER KIT



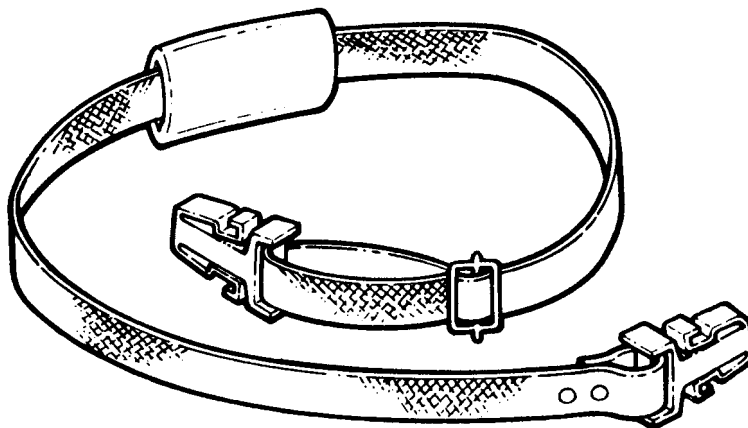
ITEM	PART NO.	DESCRIPTION
-	6-8155	KIT, Vacuum Bagger (Includes Items 1 thru 4)
1	5-1785	ASSEMBLY, Vacuum Tube
2	2-3348	CLAMP, Hose
3	1-9097	BAG, Vacuum
4	4-4598	STRAP, Shoulder

Section III - BLOWER ACCESSORIES SHOULDER STRAP (MODEL 2100 HHB)



ITEM	PART NO.	DESCRIPTION
- 1	6-8109 4-4598	KIT, Shoulder Strap (Includes Item 1) STRAP, Shoulder

SHOULDER STRAP (MODEL 250 BV)



ITEM	PART NO.	DESCRIPTION
- 1	6-8043 4-6092	KIT, Shoulder Strap (Includes Item 1) STRAP, Shoulder

Parts Manual for

SNAPPER[®]

TRIMMERS & BLOWERS ACCESSORIES

IT IS THE POLICY OF SNAPPER POWER EQUIPMENT TO IMPROVE ITS PRODUCTS WHENEVER IT IS POSSIBLE AND PRACTICAL TO DO SO. WE RESERVE THE RIGHT TO MAKE CHANGES OR ADD IMPROVEMENTS AT ANY TIME WITHOUT INCURRING ANY OBLIGATION TO MAKE SUCH CHANGES ON PRODUCTS MANUFACTURED PREVIOUSLY.

SNAPPER POWER EQUIPMENT
McDonough, GA • 30253



Free Manuals Download Website

<http://myh66.com>

<http://usermanuals.us>

<http://www.somanuals.com>

<http://www.4manuals.cc>

<http://www.manual-lib.com>

<http://www.404manual.com>

<http://www.luxmanual.com>

<http://aubethermostatmanual.com>

Golf course search by state

<http://golfingnear.com>

Email search by domain

<http://emailbydomain.com>

Auto manuals search

<http://auto.somanuals.com>

TV manuals search

<http://tv.somanuals.com>