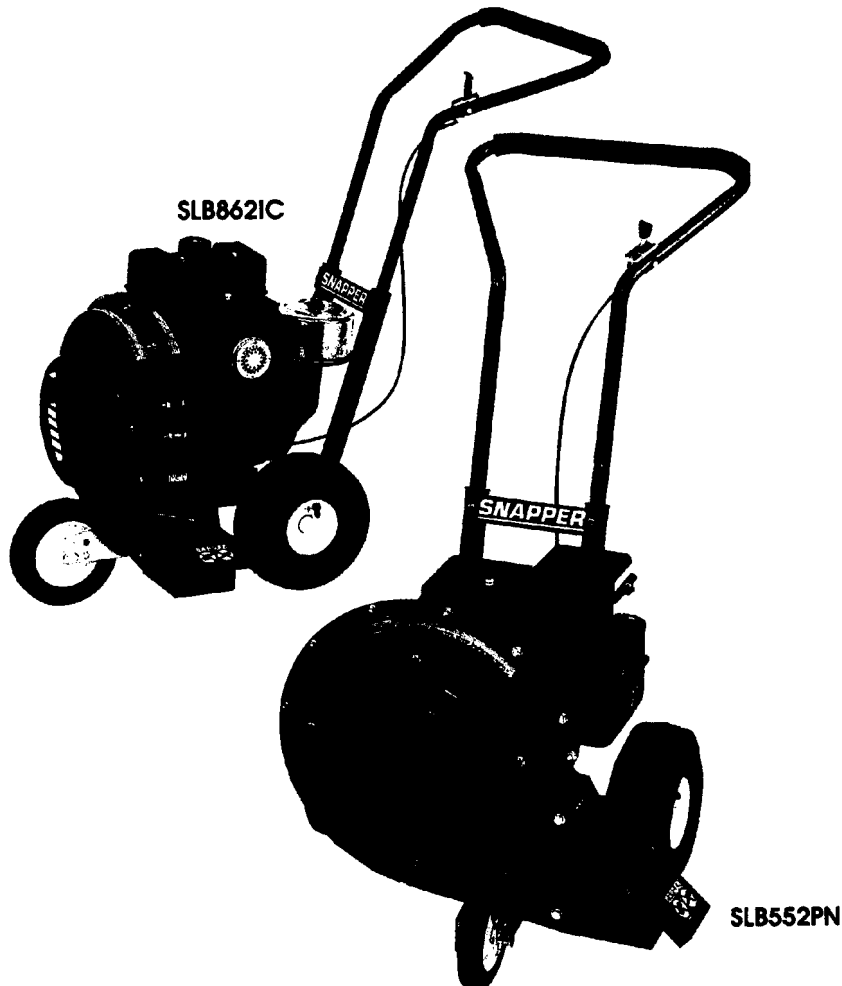


Parts Manual for

SNAPPER®

LEAF BLOWER
SERIES 0



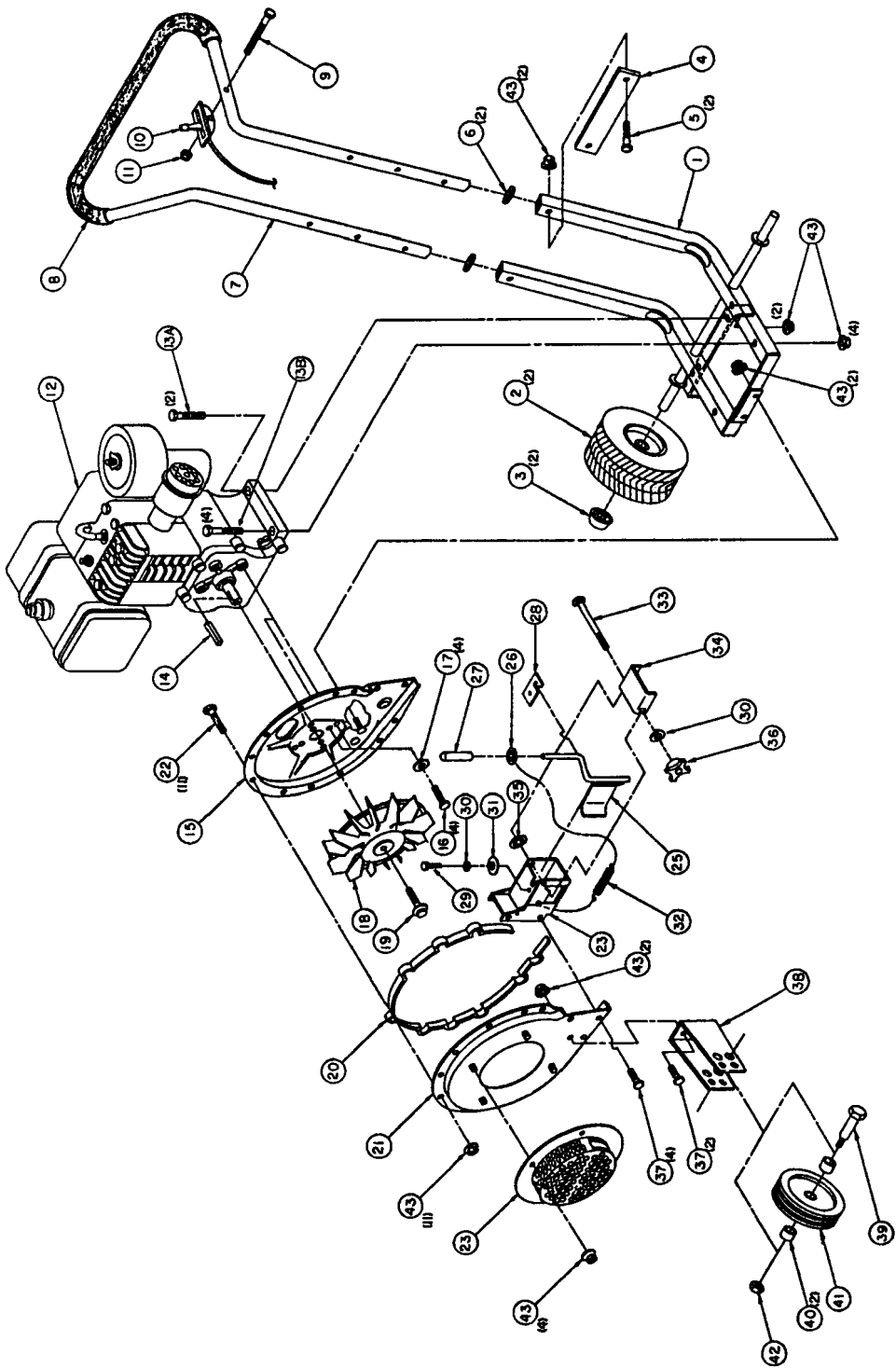
MODEL
SLB552PN
SLB8621C

PARTS FOR THIS MACHINE MUST BE ORDERED FROM:
1189 Old Schuylkill Road * P.O. Box 111 * Parker Ford, PA 19457-0111
Phone: (610) 495-7181 or (800) 348-1117, Fax: (610) 495-5951

SNAPPER® McDonough, GA., 30253 U.S.A.

COPYRIGHT © 1999
SNAPPER INC.
ALL RIGHTS RESERVED

MANUAL No. 0-6168 (I.R. 08/02/99)



<u>Item No.</u>	<u>PART NO. SLB552PN</u>	<u>PART NO. SLB862IC</u>	<u>Quantity</u>	<u>Description</u>
1	705-0088	705-0092	1	Lower Handle Bar Assembly
2	703-0108	703-0108	2	Wheel 4.10 x 3.50 x 4
3	090-0457	090-0457	2	Push Nut Cap
4	705-0028-2	705-0028-2	1	Upper Lifting Handle
5	090-0091	090-0091	2	5/16-18 x 1-3/4" HHCS Pltd
6	705-0044	705-0044	2	Washer Handle Bar
7	705-0034	705-0034	1	Upper Handlebar Assembly
8	705-0002	705-0002	1	Grip, Handlebar
9	090-0057	090-0057	1	1/4-20 x 1-1/2" HHCS Pltd
10	703-0422	703-0422	1	Throttle Control
11	090-0031	090-0031	1	1/4-20 Flex Locknut Pltd
12	703-0415		1	5 HP Engine
		030-0172	1	8HP IC Engine
13A	090-0090		2	5/16-18 x 1-1/2" HHCS Pltd
13B		090-0419	4	5/16-18 x 2-3/4" HHCS Pltd
14	703-0424	703-0424	1	1/4" x 1/4" x 2" Lg. Shaft Key
15	705-0095-RD	705-0095-RD	1	Engine Housing
16	090-0408	090-0408	4	5/16-24 x 3/4" HHCS Pltd
17	090-0392	090-0392	4	5/16" Split Lockwasher Pltd
18	705-0084	705-0084	1	Impeller
19	090-0021	090-0021	1	3/8-24 x 1-1/4" HHCS Pltd
20		705-0097-RD	1	Housing Spacer
21	705-0093-RD	705-0093-RD	1	Front Housing
22	090-0067		11	5/16-18 x 5/8" HHCS Pltd
		090-0090	11	5/16-18 x 1-1/2" HHCS Pltd
23	703-0021-A	703-0021-A	1	Impeller Cover
24	705-0100-RD	705-0104-RD	1	Chute Weld Assembly
25	705-0108	705-0110	1	Diverter Weld Assembly
26	090-0225	090-0225	1	3/8" Internal Lockwasher Pltd.
27	701-0185	701-0185	1	Vinyl Grip, Diverter Handle
28	705-0113	705-0113	1	Diverter Clip
29	090-0052	090-0052	1	1/4-20 x 1/2" HHCS Pltd
30	090-0378	090-0378	2	1/4" Split Lockwasher Pltd
31	090-0232	090-0232	1	1/4" Flat Washer Pltd
32	701-0059	701-0059	1	Spring, Diverter
33	090-0480		1	1/4-20 x 5" Lg. Carriage Bolt
		090-0481	1	1/4-20 x 6" Lg. Carriage Bolt
34	705-0098-RD	705-0099-RD	1	Deflector
35	090-0223	090-0223	1	1/4" Internal Lockwasher Pltd
36	705-0049	705-0049	1	Adjustment Knob
37	090-0067	090-0067	6	5/16-18 x 5/8" HHCS Pltd
38	705-0014	705-0014	1	Front Wheel Bracket
39	705-0056-2	705-0056-1	1	Hex Head Shoulder Bolt
40	705-0043		2	Spacer, Wheel
41	703-0025	701-0052	1	Front Wheel
42	090-0042	090-0042	1	3/8-16 Gripco Locknut
43	090-0418	090-0418	25	5/16-18 Whiz Locknut Pltd
44	090-0228	090-0228	1	3/8" Med. Split Lockwasher

When ordering parts always specify the part number, not the item number.

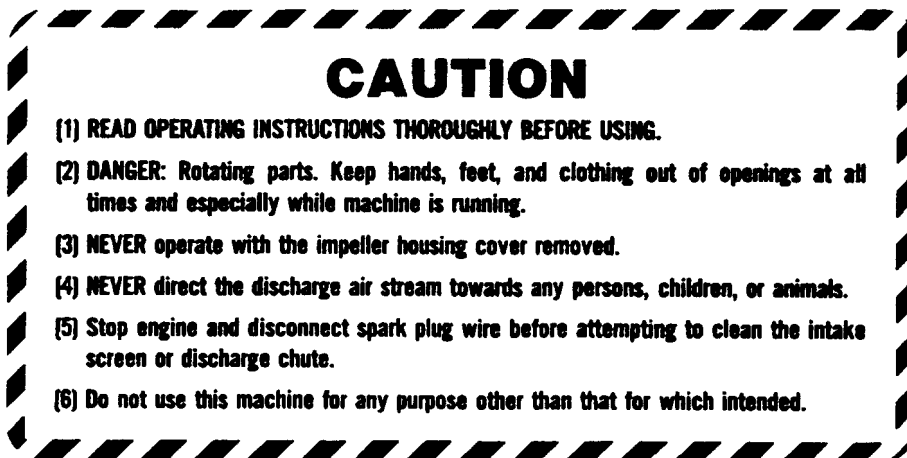
Parts Manual for

SNAPPER[®]

SLB552PN & SLB8621C LEAF BLOWER SERIES 0



PART NO. 091-0059



PART NO. 091-0058

COPYRIGHT © 1999
SNAPPER INC.
ALL RIGHTS RESERVED

SNAPPER McDonough, GA., 30253 U.S.A.

Free Manuals Download Website

<http://myh66.com>

<http://usermanuals.us>

<http://www.somanuals.com>

<http://www.4manuals.cc>

<http://www.manual-lib.com>

<http://www.404manual.com>

<http://www.luxmanual.com>

<http://aubethermostatmanual.com>

Golf course search by state

<http://golfingnear.com>

Email search by domain

<http://emailbydomain.com>

Auto manuals search

<http://auto.somanuals.com>

TV manuals search

<http://tv.somanuals.com>