

# **OPERATOR'S MANUAL GARDEN TOOL KIT**

**GARDEN TOOL KIT  
MFG. NO. 1690715**

**10" Plow with Coulter Blade  
5 Shank Cultivator  
8 Blade 11" Disc Harrow**

**FORM - 1669913  
PRINTED IN U.S.A.  
8110**

---


# Contents

<b>SAFETY RULES</b> .....	<b>1</b>
<b>ASSEMBLY</b> .....	<b>2</b>
Plow .....	2
Cultivator .....	2
Disc Harrow .....	2
<b>ATTACHING IMPLEMENTS TO THE TOOL BAR AND TRACTOR</b> .....	<b>3</b>
Plow .....	3
Cultivator .....	4
Disc Harrow .....	5
Tractor Lift System .....	5
<b>PLOW ADJUSTMENTS AND OPERATION</b> .....	<b>6</b>
Preparing Plow for Use .....	6
Width of Cut .....	6
Depth Adjustment .....	6
Landing Adjustment .....	6
Coulter Adjustment .....	6
When to Plow .....	6
Using the Plow .....	7
Speed .....	7
Adjustments During Operation .....	7
Plow Maintenance .....	7
Plow Troubleshooting .....	8
<b>CULTIVATOR OPERATION AND ADJUSTMENT</b> .....	<b>10</b>
Spacing .....	10
Depth .....	10
<b>DISC HARROW OPERATION AND ADJUSTMENT</b> .....	<b>10</b>
Disc Gang Angling .....	10
Working Down Plowed Ground .....	10
Cultivation .....	10
<b>MAINTENANCE &amp; STORAGE</b> .....	<b>11</b>
<b>PARTS LIST</b> .....	<b>12</b>

---

# Safety Rules



**Read these safety rules and follow them closely. Failure to obey these rules can result in loss of control of machine, severe personal injury to yourself or bystanders, or damage to property or equipment. The triangle  in the text signifies important cautions or warnings which must be followed..**

## GENERAL

- Read the operator's manual carefully. Be thoroughly familiar with the controls and proper use of the equipment. Know how to stop the unit and disengage the controls quickly.
- Never allow children to operate equipment. Never allow adults to operate equipment without proper instruction.
- Keep the area of operation clear of all persons, especially small children, and pets.
- Be careful when handling the disc harrow blades, the cultivator shanks and the plow-share and coulter blade. Sharp equipment can cause serious cuts.
- After striking a foreign object, set the parking brake, stop the engine, and remove ignition key. Thoroughly inspect the equipment for any damage before restarting.
- Do not drive across the face of slopes. Exercise extreme caution when changing direction on slopes. Do not attempt to work steep slopes.
- Never operate equipment without guards, plates, or other safety protective devices in place.
- Set the parking brake, stop engine, and remove ignition key whenever you leave the operating position and before making repairs, adjustments, or inspections.
- Take all possible precautions when leaving the vehicle unattended. Lower the attachment, set the parking brake, stop the engine and remove the key.
- Never allow anyone in back of unit.
- Never operate the equipment without good visibility or light. Always be sure your feet are properly placed on the footrests and keep a firm hold on the steering wheel.

## PREPARATION

- Never attempt to make any adjustments while engine is running.
- Thoroughly inspect the area where the equipment is to be used and remove wires and other foreign objects which might get tangled in the equipment.
- Handle gasoline with care, it is highly flammable.
  - a. Use approved fuel container.
  - b. Never add fuel to a running engine or hot engine.
  - c. Fill fuel tank outdoors with extreme care. Never fill fuel tank indoors.
  - d. Replace gasoline cap securely and wipe up spilled fuel.

## OPERATION

- Stay alert for hidden hazards or traffic. Do not carry passengers.

## MAINTENANCE & STORAGE

- Check bolts, nuts, spring clips, etc. at frequent intervals for proper tightness to be sure equipment is in safe working condition.
- Always refer to operator's manual for important details if equipment is to be stored for an extended period.

# Assembly

## PLOW

1. Attach the standard (E, figure 1) to the frog (B) with a 1/2 x 1-1/2" carriage bolt (H) and 1/2" nut (I).
2. Tighten the 1/2 x 2" plow bolt (J) and 1/2" square nut (C) at the bottom end of the standard. Tighten the square nut on the land adjusting bolt (F) (1/2 x 1-1/2") against the tab (G) welded to the standard, so that the threaded end of the bolt is forced against the frog (B).

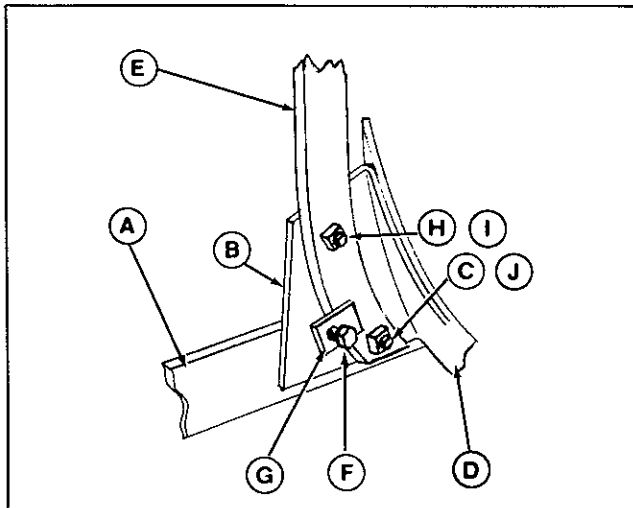


Figure 1. Plow

- |                      |                               |
|----------------------|-------------------------------|
| A. Landside          | F. Land Adjusting Bolt        |
| B. Frog              | G. Tab                        |
| C. Square Nut        | H. 1/2 x 1-1/2" Carriage Bolt |
| D. Moldboard         | I. Square Nut                 |
| E. Standard Assembly | J. 1/2 x 2" Plow Bolt         |

## CULTIVATOR

1. Attach a shovel (54, figure 2A) to each of the five cultivator shanks (53) with 3/8 x 1-1/2" plow bolts (55), 3/8" lockwashers (47) and 3/8" nuts (48).
2. Install four of the shank assemblies onto the cross bar (52) with the clamps (50), bolts (30), washers (31) and flange nuts (51). Be sure to install two of the shanks to the front of the crossbar, and two to the rear, as shown. After assembly, the nuts (5) will be trapped in clamp. The washers (31) will be loose. Their purpose is to keep the assembly together when the clamp is not installed on the cultivator.

## DISC HARROW

1. Assemble the disc gangs as shown in figure 2B. Be sure two unplated steel tubular bearings (32) are inside the two bearing hangers (45) before assembling.

Be sure to place a flat washer on each side of each disc and to mount all discs facing in the same direction. Notice that two nuts (42 & 43) go on disc gang bolt (39). Install the jam nut (43) (more narrow) last.

2. Grease each gang with general purpose pressure gun grease through the fitting (13) on each bearing hanger.
3. Place the frame (49) upside down. Place each into position with the blades curving outward. Install each gang with two 3/8 x 1-1/2" carriage bolts (44), 3/8" flat washers (46), 3/8" lockwashers (47), and 3/8" nuts (48) as shown. Initially, it is suggested that the disc gangs be installed so that they are as close together as possible, and at their maximum angle of 20°. The angle is determined by the location of the carriage bolt in the specially slotted hole in the hanger bracket.

See figure 13 for parts list.

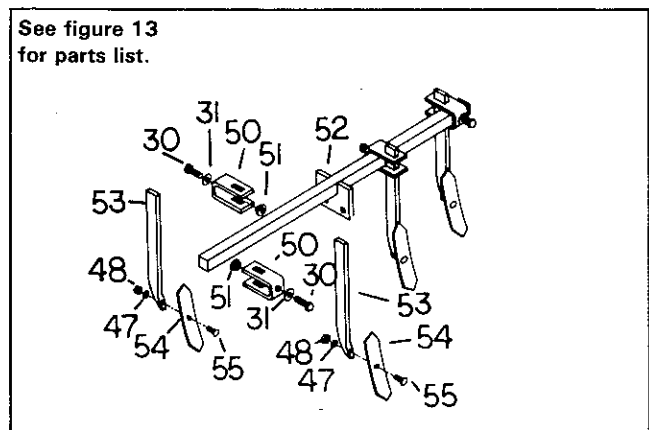


Figure 2A. Cultivator

See figure 13 for parts list.

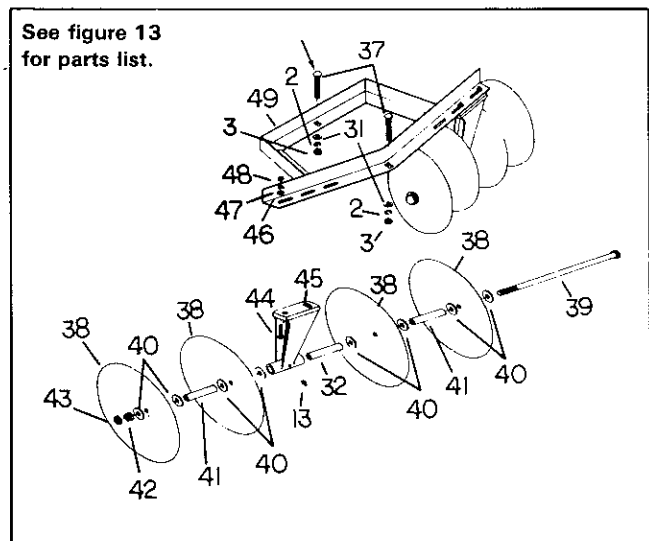


Figure 2B. Disc Harrow

# Attaching Implements to the Tool Bar and Tractor

## NOTE

All reference to left and right are made by standing at the rear of tractor and facing forward.

## PLOW

1. Remove the stabilizer plate (B, figure 5 or H, figure 6) and two stabilizer bolts from the tractor hitch.
2. Refer to figure 3 to determine the proper hitch attaching hole on the yoke.

## NOTE

When extreme plowing conditions are encountered, it may be desirable to reduce width of the plow cut. (For example, plow 8" or 9" wide with a 10" plow). This can be accomplished by hitching plow one or two holes over to left from hole recommended in chart.

3. Use 1/2-13 x 2" carriage bolts, 1/2" lockwashers and 1/2-13" flange nuts to attach the plow, coultter blade and deflector blade (C, figure 4) to the tool bar as shown in figure 4, but do not tighten hardware. Install the yoke in the tool bar AS SHOWN - the yoke is also specially stamped "UP - PLOW ONLY" for ease of identification.

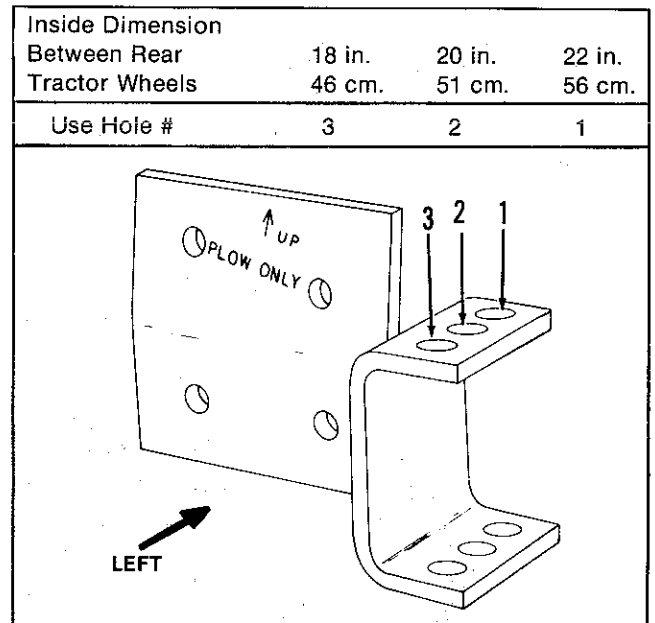


Figure 3. Yoke Hole Identification

4. Push the coultter standard up and toward the rear; tighten all hardware.
5. To attach the plow to the hitch, align the yoke hole selected previously with the tube in hitch and insert the hitch pin. Secure the hitch pin with spring clip.

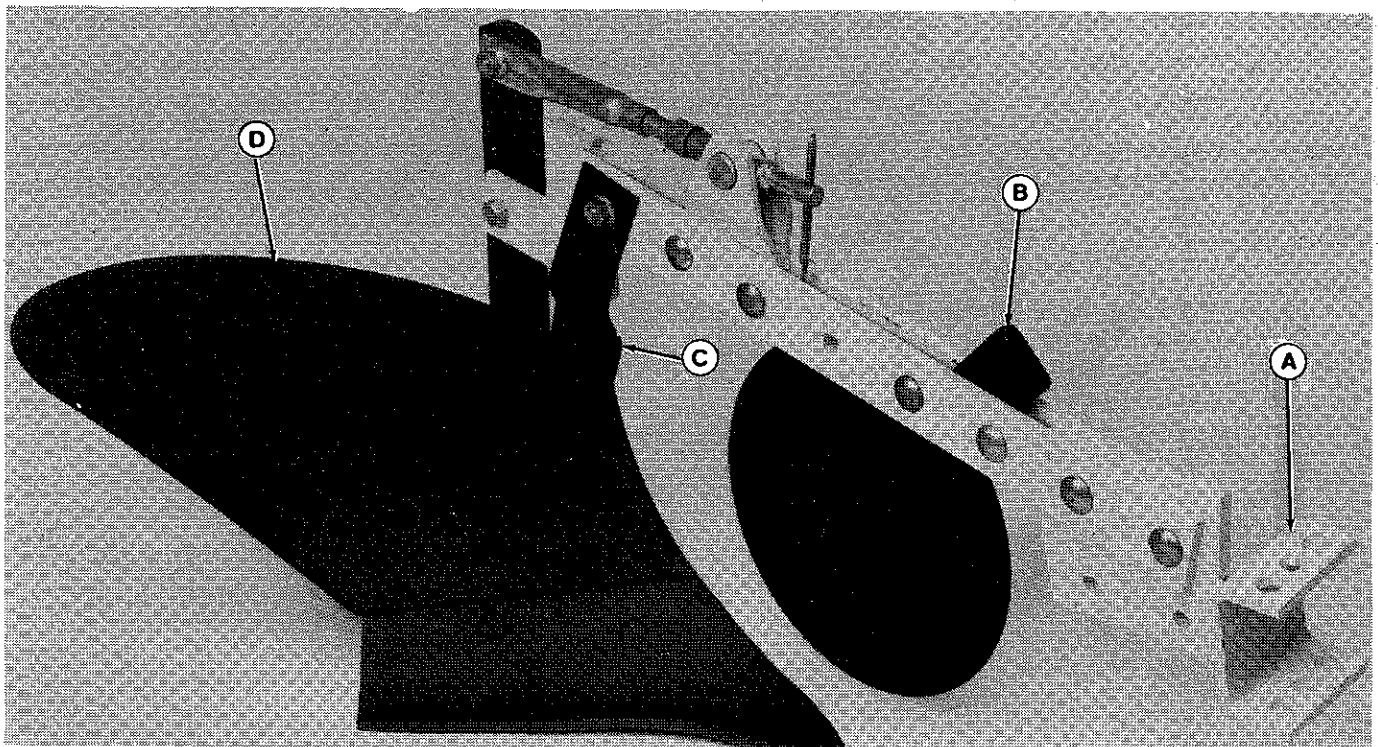


Figure 4. Plow

- A. Yoke  
B. Coultter Blade  
C. Deflector Blade  
D. Plow

## CULTIVATOR

1. Install the stabilizer plate (B, figure 5 or A, figure 6), bolts and jam nuts. The bolts are threaded thru holes to hold the stabilizer plate in position and the jam nuts tightened against hitch to secure the bolts.

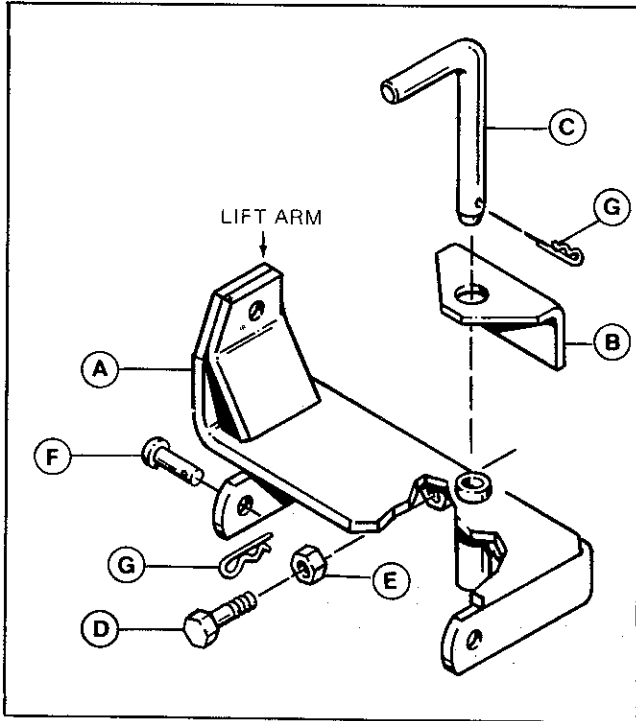


Figure 5. Tractor Hitch - Compact Garden Tractor

- A. Clevis & Lift Arm Assy.
- B. Plate, Stabilizer
- C. Pin, Hitch
- D. Stabilizer Bolts, 5/8-11 x 2-1/4
- E. Nut, Hex, Jam, 5/8-11
- F. Pin
- G. Clip, Spring

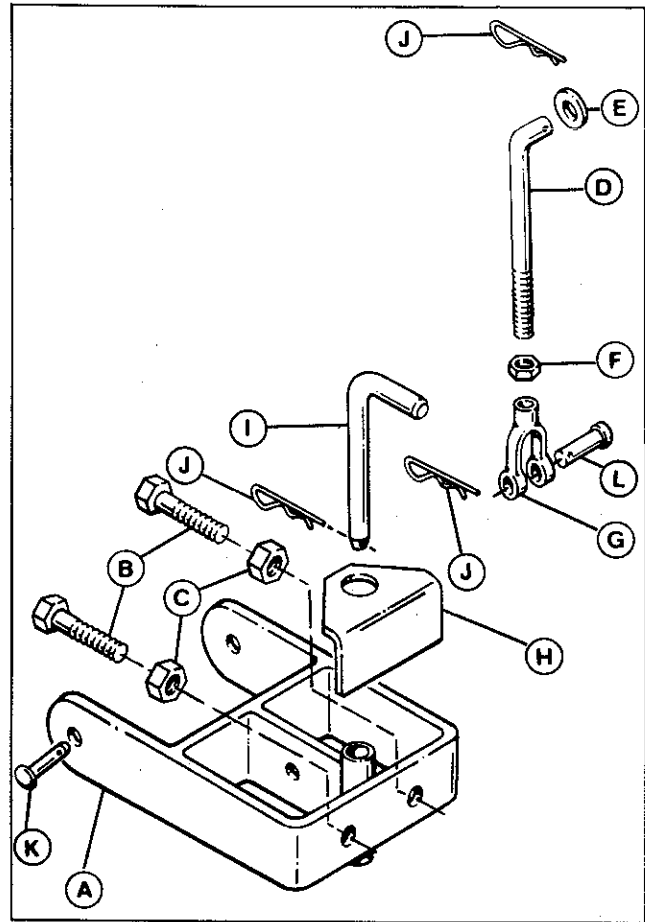


Figure 6. Tractor Hitch - Large Garden Tractors

- A. Hitch Assembly
- B. Capscrew, Hex Hd., 5/8 x 2-1/4
- C. Nut, Hex, Jam, 5/8
- D. Lift Rod
- E. Washer, Plain, 1/2 x 1-1/4
- F. Nut, Hex, Jam, 1/2
- G. Yoke End, Adj.
- H. Bracket, Sway
- I. Pin, Hitch
- J. Clip, Hairpin
- K. Pin, Round Head
- L. Pin, Yoke

2. Install the yoke on the tool bar as shown in figure 7. Be sure to use lower two holes in yoke. Attach the tool bar to the hitch on the tractor, placing the hitch pin in the center hole of the yoke. Tighten the hitch stabilizer bolts evenly against the stabilizer plate.
3. Using two 1/2 - 13 x 2" carriage bolts (A, figure), 1/2" lockwashers and 1/2 - 13" flange nuts secure the cultivator cross bar to the tool bar. Install the remaining shank and shovel assembly at the back of the tool bar, if desired.

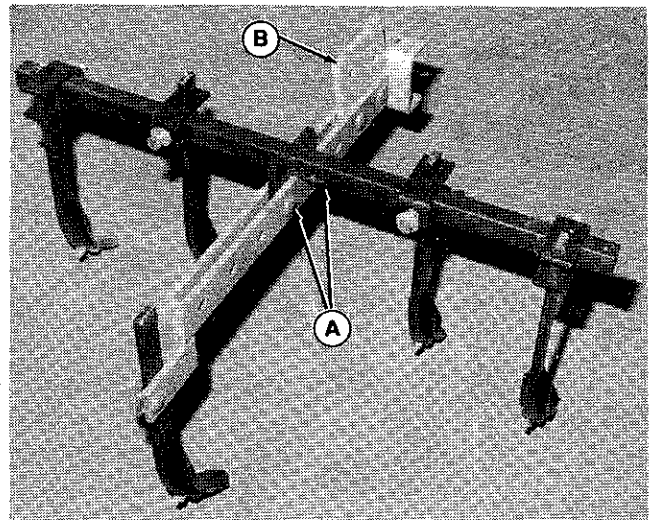


Figure 7. Cultivator A. Bolts B. Yoke

## DISC HARROW

1. Remove the stabilizer plate (B, figure 5 or H, figure 6) and stabilizer bolts from the hitch. These parts are not used with the disc harrow.
2. Attach the yoke to the tool bar as shown in figure 8. Be sure the "Up" arrow points up. Be sure to use lower two holes in yoke.

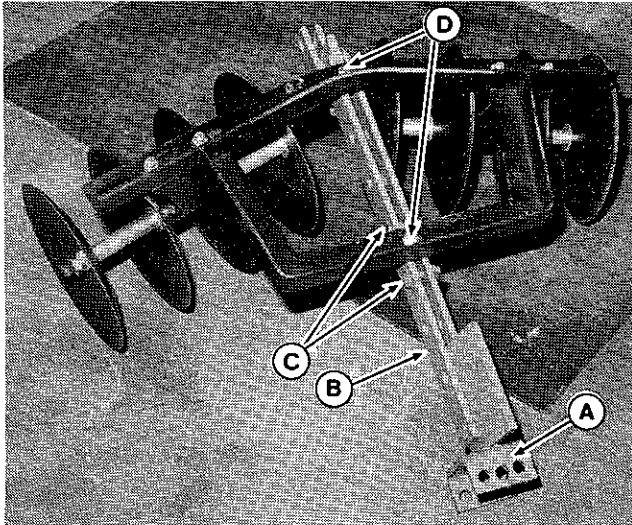


Figure 8. Disc Harrow

- |             |                   |
|-------------|-------------------|
| A. Yoke     | C. Crossbolts     |
| B. Tool Bar | D. Carriage Bolts |

3. Attach the yoke to the tractor hitch with the hitch pin and cotter pin, using the center hole in yoke.
4. Position the disc frame toward the rear of the tool bar, and attach with two  $1/2 \times 3-1/2$ " carriage bolts (D),  $1/2$ " washers,  $1/2$ " lockwashers and  $1/2$ " nuts.
5. Install two crossbolts (C) to prevent the tool bar from "spreading" during use. Use two carriage bolts, lockwashers and nuts.

## TRACTOR LIFT SYSTEM

The adjustment of the tractor lift mechanism is explained in the "Installation Instructions" supplied with the tractor hitch. If you suspect that the tractor lift mechanism is not allowing the implement to go deep enough, adjust the lift mechanism. However, you must also make sure that there is adequate clearance between implement and ground when lift lever is in raised (transport) position.

# Plow Adjustments and Operation

## PREPARING PLOW FOR USE

Clean the moldboard with a rag soaked in turpentine, naphtha or gasoline so that dirt will slide off without sticking. The plow will work best after being broken in and scoured to a high polish. The plow can be buffed with steel wool, emery cloth, an old brick or a pumice stone.

## WIDTH OF CUT

If plowing conditions are poor, the width of cut can be reduced. To do this, hitch the yoke one or two holes to left of hole recommended in figure 3 on page 5. This will move the plow toward the right, which will reduce the width of cut.

## DEPTH ADJUSTMENT

The plow point pitch or suck is controlled by the depth control crank. Turning this crank clockwise will cause plow to go deeper, counter-clockwise shallower (figure 9). This also affects the position of the "heel" on rear of plow bottom (landside). For best performance, the heel should ride 1/4 to 1/2" above bottom of furrow. (The heel is shown in figure 13 on page 12.)

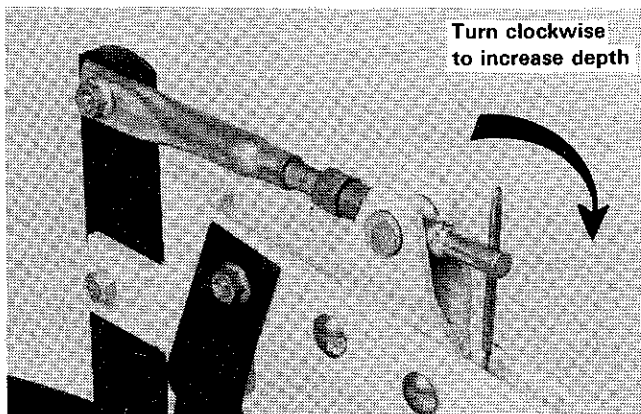


Figure 9. Depth Adjustment

Before plowing, make an initial adjustment of the plow as follows.

With the plow attached, place the tractor on a level surface. Place blocks under the left-front and left-rear tires so they are about six inches off the ground. This will simulate the position of the tractor while plowing, with the right-hand tires in a furrow.

Make sure the tractor lift system is adjusted to allow plow to contact the ground in lowered or float position.

Raise the plow slightly off the ground using tractor lift system. Then adjust the depth control crank so plow is level with the ground. Lower the plow; it should rest flat on the ground. Now, adjust the crank so the heel (flange on rear end of landside) is 1/4 to 1/2 inch above the ground.

## LANDING ADJUSTMENT

The plow bottom (landside) will react similar to a rudder while ground engaged. The bottom should be slightly against furrow wall but should not crowd it. If plow point is too far from left of tool bar, plow will tend to over cut and leave a ragged furrow wall. This condition can be readily corrected by making the following adjustment:

Loosen 2 bolts (figure 10) attaching plow bottom to standard - turn land adjusting bolt clockwise two turns - retighten plow bottom attaching bolts securely. Repeat adjustment as necessary until plow follows correctly and proper width of cut is reached.

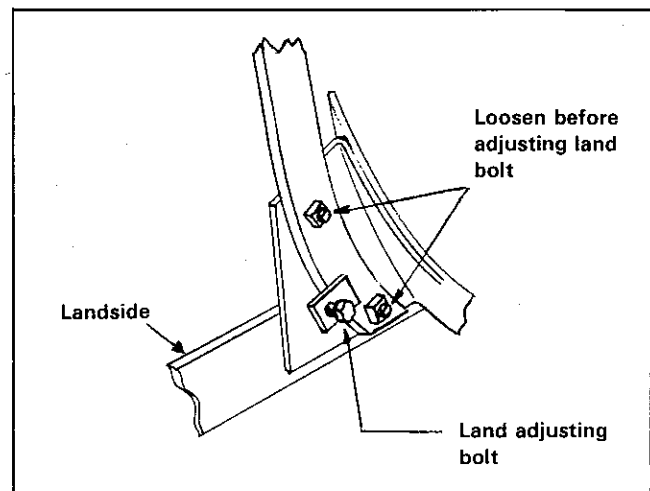


Figure 10. Landing Adjustment

## COULTER ADJUSTMENT

Coulter should be adjusted to slice 2 to 3" deep depending on soil conditions. For initial setting, position coulter blade 3 inches from point of plow. Make sure coulter is pivoted back as far as possible. In use, the coulter will cut a path for the plow to enter, pushing debris in the soil off to the side and providing a clean furrow wall. If a large rock or other obstacle is encountered, the coulter will ride up over it, helping to prevent damage to the plow.

## WHEN TO PLOW

Make sure the ground is in proper plowing condition before starting. Never plow when the soil is wet. Ground that is excessively wet will "ball up" and not disc properly after plowing. Ground that is too dry will become extremely hard and will be very difficult to plow. To determine ground condition, take a sample of dirt in your hand and compress it. If it forms into a tight, dense ball, the soil is too wet. If it quickly crumbles in your hand, the soil is probably too dry and will be difficult to penetrate. The soil should form a ball in your hand and fall apart when released.



Avoid low places, old roadways, paths and other places where the soil is overly packed. Expect to have trouble with a thick sod which has not been plowed in several years. However, by finding the correct setting at the coulter, the hitch, the landside and the depth control crank, you should be able to do a satisfactory job under most conditions. High weeds or grass should be cut down with the rotary mower before plowing. Be sure to remove any large rocks, wires or other obstructions before plowing.

## USING THE PLOW

### CAUTION

Always raise plow before turning. If tractor must be backed up to free the plow, back up slowly while raising the plow.

This plow generally works at a depth equal to about 1/2 of its cutting width, i.e., 4 to 6" deep for a 10" plow.

It is generally best to lay out the field to be plowed into a rectangular plot, or (if the width exceeds 100 feet) two or more rectangular plots. See figure 11.

The first plowing pass is called a "dead" furrow. In other words, the tractor does not have a previous furrow in which to run the right wheels. Plowing a dead furrow requires the plow to be adjusted so that the point of the plow share is lower (or the heel of the landside is higher) so it can penetrate. This is done by turning the crank clockwise (Figure 9).

Begin plowing at point "X" and plow a "dead" furrow to the end of your plot. Fix your eyes on a tree or some distant object in line with the middle of the plow so that you can plow a straight furrow to point "A". NOTE: Always lift plow before turning. At point "B", lower it again and plow another "dead" furrow, piling the dirt on top of the dirt from the first furrow. When you return to point "X" start normal plowing with both the tractor's right wheels in the furrow at point "C". Level off the plow with the depth control crank so the landside heel is 1/4" off bottom of furrow. This is correct height for normal plowing.

Plow the entire width of the field, always turning to the right and placing the right wheels in the furrow made on the previous pass in that direction.

After plowing a few rounds, check and tighten all bolted connections.

## PLOWING SPEED

Plow with the engine set at full throttle, using the transmission to regulate a constant ground speed. Move fast enough so that the earth will turn over and not fall

back into the furrow. If you plow too fast, the furrows may be uneven and the dirt is apt to be thrown rather than rolled over.

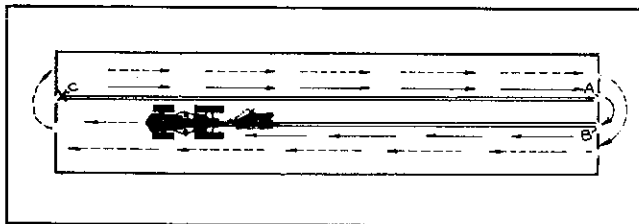


Figure 11. Plowing Pattern

## ADJUSTMENTS DURING OPERATION

While using the plow, you will normally need to make adjustments to the depth control, coulter or landing. Some experimentation will be necessary because the adjustments are all inter-related.

Always make adjustments a little at a time. For instance, turn the depth control crank a quarter turn, then begin plowing again to check the results.

Ideally, when you plow, the ground should roll over, out of the furrow and not fall back into the furrow. The furrow wall should be fairly smooth. The depth should be even.

Make sure the landside is in line with the tractor. If not, perform Landing Adjustment. Changing the tractor speed, moving the coulter up or down and adjusting the depth control crank should provide satisfactory results.

For specific problems, see the Troubleshooting Chart.

## PLOW MAINTENANCE

A dull or worn share is perhaps the greatest cause of the plow failing to perform as it should. Plow share life depends on the type of soil. Hard, dry, or sandy soil generally wear a share faster than a loamy soil. A dull share can be sharpened. Badly worn shares could should be replaced.

The moldboard should (after initial "scouring") be kept in a smooth, polished condition. Fine sandpaper, steel wool, kerosene, naphtha, etc., may be used to restore the finish on a rusted moldboard.

The coulter blade edge should be relatively sharp. If sharpening is necessary, use a flat file. Grease the coulter and gauge wheel bearings at least every 4 hours of use.

**GENERAL** -- Frequently (at least every 8 hours of use) check all bolts and nuts for tightness.

**STORAGE** -- When plow is not being used, or stored for a prolonged period, remove all dirt, scale and rust, then touch up with paint. Apply a light coat of oil or grease to the share, moldboard, coulter, and other areas that have "scoured" from use. Always store in a dry area.

<b>PLOWING TROUBLESHOOTING</b>	
<b>POSSIBLE CAUSE OR CONDITION</b>	<b>REMEDY</b>
<b>SLOW GROUND ENTRY</b>	
Improper Depth Adjustment	Turn clockwise one or two turns at a time. <b>See Depth Adjustment</b>
Badly worn Plow Share	Replace with new Share
Tractor Lift System out of adjustment	Adjust Lift System
Ground extremely dry and hard due to lack of moisture.	Wait until soil conditions are suitable for plowing.
Coulter set too low or dull	Adjust coulter or sharpen
<b>PLOW CROWDING</b>	
Improper Landing	<b>See Landing Adjustment</b>
Improper depth adjustment	Adjust depth
Improper coulter adjustment	Adjust coulter
<b>UNEVEN PLOWING DEPTH</b>	
Extreme variation in soil texture and/or moisture. Plow rides up in harder, dryer soil	<b>See Depth Adjustment.</b> Reduce Tractor speed in hard spots
Plow won't stay down, runs shallow	Adjust depth control crank. Make sure tractor lift system allows plow to lower
Plow goes too deep or runs on nose	Turn depth control crank counterclockwise.
Coulter not sharp or improperly adjusted.	Adjust coulter.
<b>POOR TRASH COVERAGE</b>	
Plow bottom not scouring	Clean bottom frequently until polish is obtained <b>See Preparing Plow For Use</b>
High weeds-impractical to cut	Cut weeds before plowing
Coulter improperly adjusted	Set coulter deep enough to cut trash but not deep enough to push the trash
Coulter not turning	Grease coulter
Dull coulter	Sharpen
<b>PLOW RIDGING</b>	
Point too deep	Decrease plow depth
Point too shallow	Increase plow depth
Plowing too wide	<b>See Plow Width</b>
Coulter adjustment	Set coulter to leave clean furrow
Coulter not turning	Grease coulter hub

<b>PLOW BOTTOM WON'T SCOUR</b>	
New bottom or rusted bottom	Clean bottom with rag soaked in turpentine, naphtha or gasoline. Old brick or pumice can also be used to polish bottom. Rub with rag soaked in oil and dipped in sand. Clean bottoms frequently during use until polish is obtained
Plow running crooked	<b>See Landing Adjustment.</b>
Plow running on nose	Turn control crank counterclockwise. Heel should ride 1/4 to 1/2" above bottom of furrow
<b>PLOW PULLS HEAVY OR EXCESSIVE WHEEL SLIPPAGE</b>	
Plow bottom not scouring	<b>See Plow Bottom Won't Scour</b>
Plow running too keep	<b>See Uneven Plow Depth</b>
Plow over cutting	<b>See Width of Plow Cut Adjustment</b>
Plow not levelled out	Adjust depth control so heel is 1/4 to 1/2" above bottom furrow.
Plow crowding furrow wall	<b>See Landing Adjustment</b>
<b>FURROWS ROLLING BACK</b>	
Furrows too deep for width of bottom.	Reduce depth of plowing.
Plowing too slow.	Increase tractor ground speed.
<b>BROKEN OR MISPLACED FURROWS (CORK SCREWING)</b>	
Plowing speed too high	Reduce tractor speed
Coulter cutting too close to plow	Raise coulter
Coulter cutting too close to furrow walls	Adjust coulter
Coulter not deep enough	Lower the coulter, especailly in loose soil.
Plow running crooked	<b>See Landing Adjustment</b>
<b>PLOW RUNS TOO SHALLOW OR COMES OUT OF GROUND</b>	
Plow not scouring.	<b>See Plow Bottom Won't Scour</b>
Improper Depth Adjustment	<b>See Plow Adjustments and Operation</b>
Improper soil conditions	<b>See When to Plow, page 8</b>
Tractor lift system not lowered fully	Lower lift so rod is at end of travel
Coulter holds plow out of ground rather than cutting thru sod.	Readjust coulter; or wait for better soil conditions.

# Cultivator Operation and Adjustment

## SPACING

The cultivator can be used to work between the rows or to straddle the rows, if the plants can go underneath the tractor. To straddle the rows, remove the center shank assembly. Space the shanks to suit the row spacing by loosening the clamps. To prevent damage to plant roots, do not cultivate too close to plants. Be sure to tighten all clamps and the stabilizer bolts to prevent side-to-side movement.

## DEPTH

Cultivation should be shallow, from one to three inches. Greater depths can dry out the soil and cut plant roots. Cultivate early and, often to kill weeds and to help the soil retain moisture. The depth should be lessened as the plants grow larger and roots increase in length. To adjust, loosen the clamps, adjust the shanks up or down then tighten the clamps. The tool bar should be parallel with the ground while cultivating.

# Disc Operation and Adjustment

## DISC GANG ANGLING

The disc gangs may be set at angles of 10°, 15°, or 20°, or may be moved together or apart. Figure 12 shows how to obtain the three different angles by moving one carriage bolt into the correct adjusting hole in the casting.

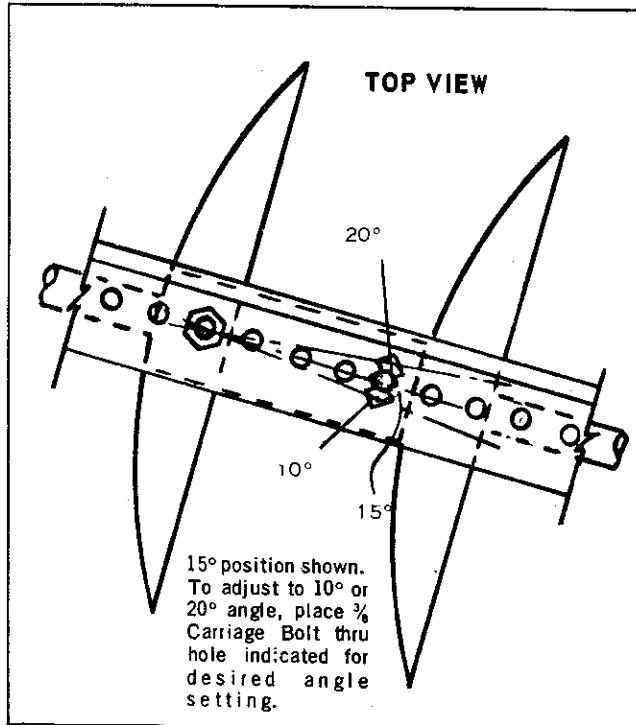


Figure 12. Disc Gang Angling

## WORKING DOWN PLOWED GROUND

Set disc gangs at maximum angle of 20 degrees. Place a standard 16" concrete building block or other heavy objects on top of the harrow in the angle weight box. Now, with the single disc at maximum angle, dirt can be moved either out or in. To keep the ground relatively level, zig-zag and criss-cross while working. The type of soil and the weight on the harrow will determine how many times you will have to go back and forth to get the kind of seed bed desired. Since the rear gangs of the harrow are always set in the opposite direction from the front gangs, the ground stays level and does not have to be worked as often.

## USING AS CULTIVATOR

The disc makes a very versatile cultivator when the plants are small. The disc gangs should be moved out to straddle the row and, by reversing sides, the discs can be set to move dirt into the row or away from it.

The type of soil, the degree of angle and the weight on the harrow will determine the depth of cut and the amount of dirt moved.

## NOTE

Grease disc bearings every four hours of use. When putting away the disc harrow for the winter, remember to grease the bearings and wipe grease or oil on the disc blades to prevent rust.

---

## Maintenance & Storage

Like all mechanical equipment, the implements should be cleaned after each use by washing with a garden hose. A mild automotive type detergent may be used to remove stubborn dirt. Bare metal surfaces should be coated with oil or grease to prevent rust until permanent repairs can be made. Aerosol cans of "Simplicity Orange" paint are available through your Authorized Simplicity Dealer. An automotive type "Flat Black" primer is suggested for use on other painted surfaces.

Apply a film of light machine oil to disc blades and plow working surfaces, or treat them with a rust preventative. **DO NOT PAINT.**

After every 4 hours of use, lubricate the two disc gang bearings through the zerk fitting on each bearing hanger, using general purpose grease applied with a pressure grease gun. The plow's coulter blade hub is also equipped with a grease fitting, which should be lubricated before each day's use.

Always check that all attaching hardware is tight and in good condition before using any of the implements.

The cultivator shovels are reversible and replaceable. When a shovel becomes worn, loosen the attaching bolt and rotate the shovel 180° to obtain a new cutting edge. The shovels may also be kept sharp by periodic filing.

Store the implements in a clean, dry place or protect them with a weather-proof cover if stored outdoors. Select a safe, protected area for storage to prevent accidental contact with disc blades, plow point, or cultivator shovels.

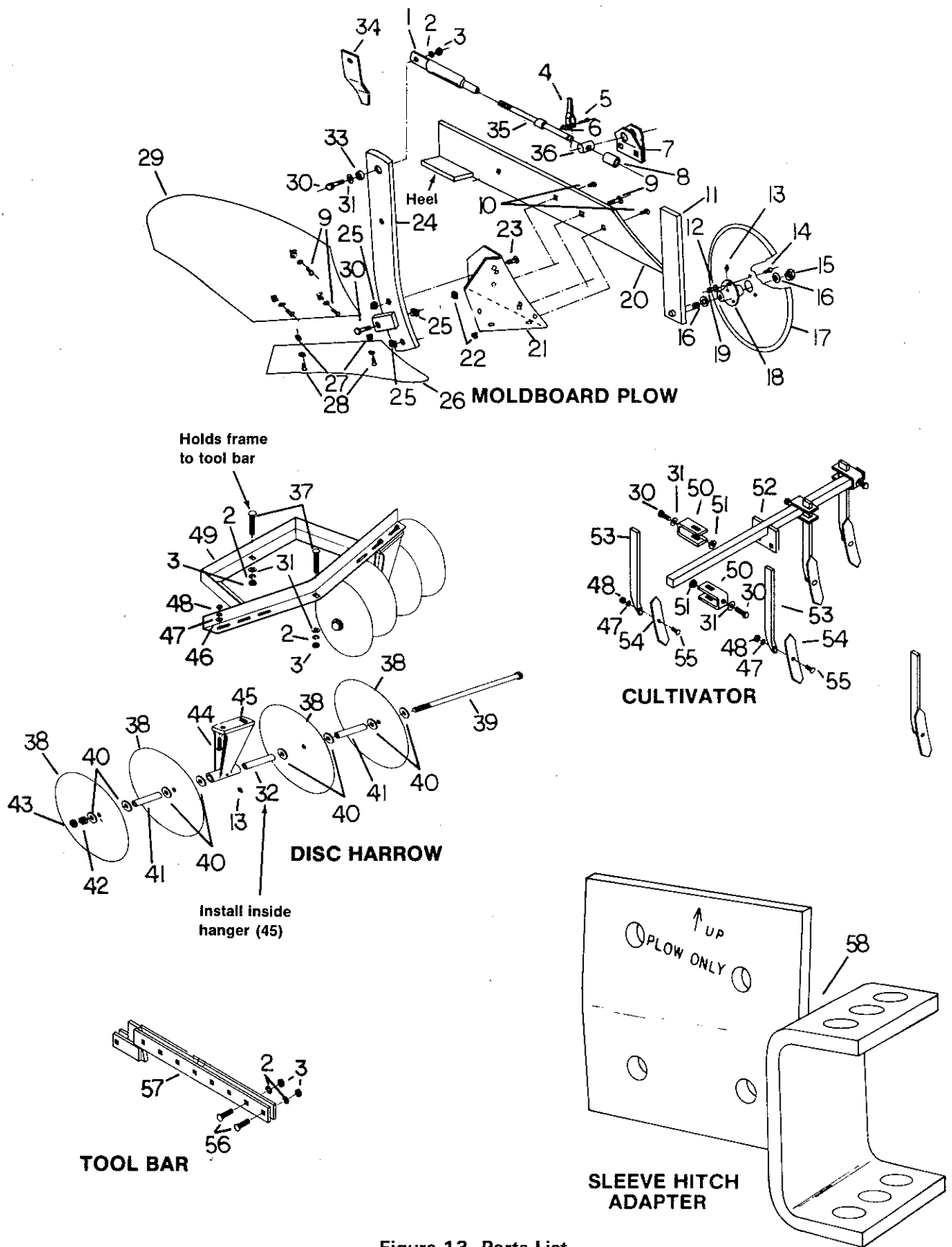


Figure 13. Parts List

Ref. No.	Part No.	Description
1	P-256P	Threaded Tube
2	40M1600P	LOCKWASHER, 1/2
3	30M1600P	NUT, Hex, 1/2
4	P-552P	HANDLE ASSY.
5	1M0820P	BOLT, Hex, 1/4 x 1-1/4
6	B-1673P	NUT, Hex, Lock, 1/4
7	P-541	BRACKET ASSY.
8	P-554P	SPACER, Tube
9	15M1632P	BOLT, Plow, 1/2 x 2
10	15M1216P	BOLT, Plow, 3/8 x 1
11	P-499	COULTER HANGER ASSY.
12	45M1111P	WASHER, Plain, 5/16
13	D-128P	FITTING, Lube
14	10M1012P	BOLT, Carriage, 5/16-3/4
15	B-1678P	NUT, Hex, Lock, 5/8
16	45M2121P	WASHER, Plain, 5/8 SAE
17	P-272	BLADE, Coulter
18	P-250-1	HUB, Coulter
19	B-1674P	NUT, Hex, Lock, 5/16
20	P-281	LANDSIDE ASSY.
21	P-273	PLOW FROG
22	35M1200	NUT, Square, 3/8
23	10M1624P	BOLT, Carriage, 1/2 x 1-1/2
24	P-490	STANDARD ASSY.
25	35M1600P	NUT, Square, 1/2
26	P-275	10" SHARE
27	35M1400	NUT, Square, 7/16
28	15M1416	BOLT, Plow, 7/16 - 1
29	P-278	10" MOLDBOARD
30	2M1624P	BOLT, Hex, 1/2 x 1-1/2
31	45M1717P	WASHER, Plain, 1/2
32	D-121	BEARING
33	P-234	BUSHING
34	P-498	BRACKET, Plow
35	P-494	CRANK ASSY.
36	P-264P	TRUNNION
37	10M1655P	BOLT, Carriage, 1/2 - 3-1/2
38	D-126	BLADE, Disk
39	D-144	BOLT, Gang, 3/4-16
40	D-143P	WASHER, Flat, 3/4
41	D-122P	SPACER
42	30M2400P	NUT, Hex, 3/4
43	31M2400P	NUT, Hex, Jam, 3/4
44	10M1224P	BOLT, Carriage, 3/8 x 1-1/2
45	D-181	HANGER, Bearing
46	45M1313P	WASHER, Plain, 3/8
47	40M1200P	LOCKWASHER, 3/8
48	30M1200P	NUT, Hex, 3/8
49	D-182	FRAME ASSY.
50	B-1430	CLAMP, Shank
51	B-2178P	NUT, Flange, 1/2
52	B-2361	CROSS BAR ASSY., 36"
53	B-1429	SHANK
54	B-1252	SHOVEL
55	15M1224P	BOLT, Plow, 3/8 - 1-1/2
56	10M1632P	BOLT, Carriage, 1/2 x 2
57	H-457	DRAWBAR ASSY.
58	H-455	BRACKET ASSY., Hitch

See next page for parts and service information.

**This product is manufactured specifically for Simplicity Manufacturing Company, by Brinly-Hardy Company.**

**Parts, service and warranty are handled directly by the Brinly-Hardy Company. Order parts through most any Lawn & Garden dealer or contact the Brinly-Hardy Company, P.O. Box 1116, Louisville, KY - Phone: (502)585-3351.**

**BRINLY-HARDY COMPANY, INC.,**

**P.O. Box 1116, Louisville, Ky. 40201**

## **LIMITED WARRANTY**

We warrant each Brinly Product sold by us to be free from manufacturing defects in normal service for a period of one (1) year commencing with delivery to the original retail user.

Our obligation under this warranty is expressly limited, at our option, to the replacement or repair at Brinly-Hardy Company, (340 E. Main Street Louisville, Ky. 40202) of such part or parts as inspection shall disclose to have been defective. This warranty does not apply to defects caused by damage or unreasonable use (including failure to provide reasonable and necessary maintenance) while in the possession of the consumer.

WE SHALL NOT BE LIABLE FOR CONSEQUENTIAL DAMAGES OF ANY KIND, including but not limited to, consequential labor costs or transportation charges in connection with the replacement or repair of defective parts.

ANY IMPLIED OR STATUTORY WARRANTIES, INCLUDING ANY WARRANTY OF MERCHANTABILITY OR FITNESS FOR A PARTICULAR PURPOSE, ARE EXPRESSLY LIMITED TO THE DURATION OF THIS WRITTEN WARRANTY. We make no other express warranty, nor is anyone authorized to make any in our behalf.

For parts and service, see your local dealer. Use part NAME and NUMBER when ordering.











## Free Manuals Download Website

<http://myh66.com>

<http://usermanuals.us>

<http://www.somanuals.com>

<http://www.4manuals.cc>

<http://www.manual-lib.com>

<http://www.404manual.com>

<http://www.luxmanual.com>

<http://aubethermostatmanual.com>

Golf course search by state

<http://golfingnear.com>

Email search by domain

<http://emailbydomain.com>

Auto manuals search

<http://auto.somanuals.com>

TV manuals search

<http://tv.somanuals.com>