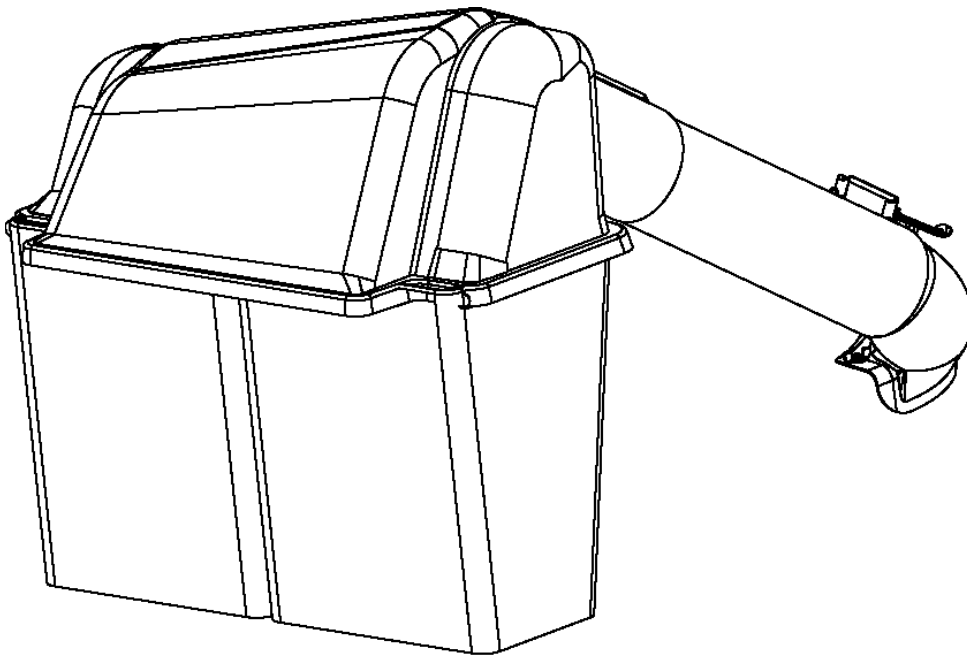


*Parts Manual for*  
**SNAPPER®**

**38" & 42" Twin Bag Catcher**

<b>MODEL</b>
1695171



**Briggs & Stratton Yard Power Products Group**

535 Macon Road  
McDonough, GA, 30253 U.S.A.  
800-935-2967

Revision IR, 9/2/2008

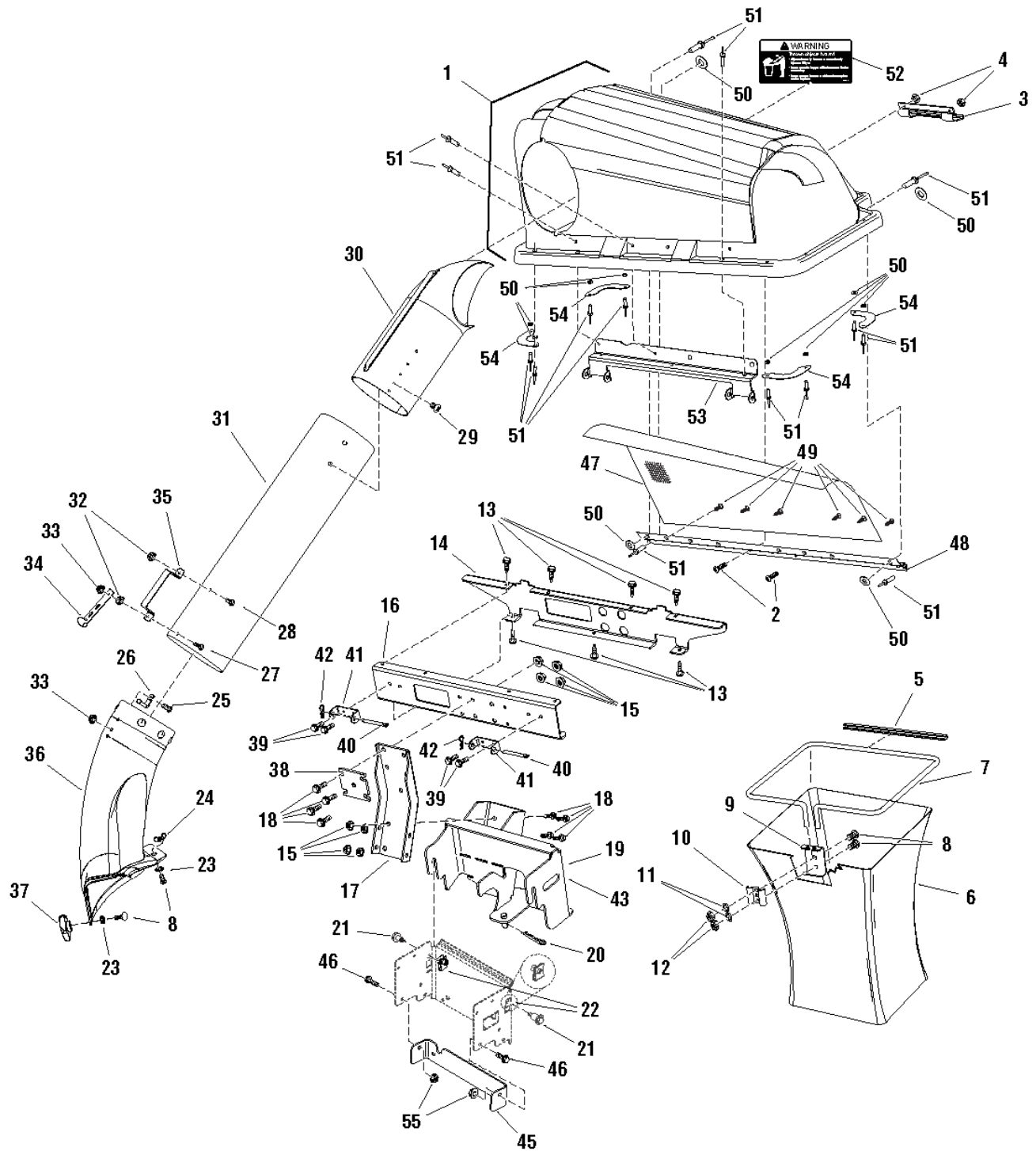
Manual No. 7102883

TP 400-5414-IR-AT-N



<b>PAGE</b>	<b>GROUP</b>
4	Twin Bag Catcher Assembly

# Twin Bag Catcher Assembly



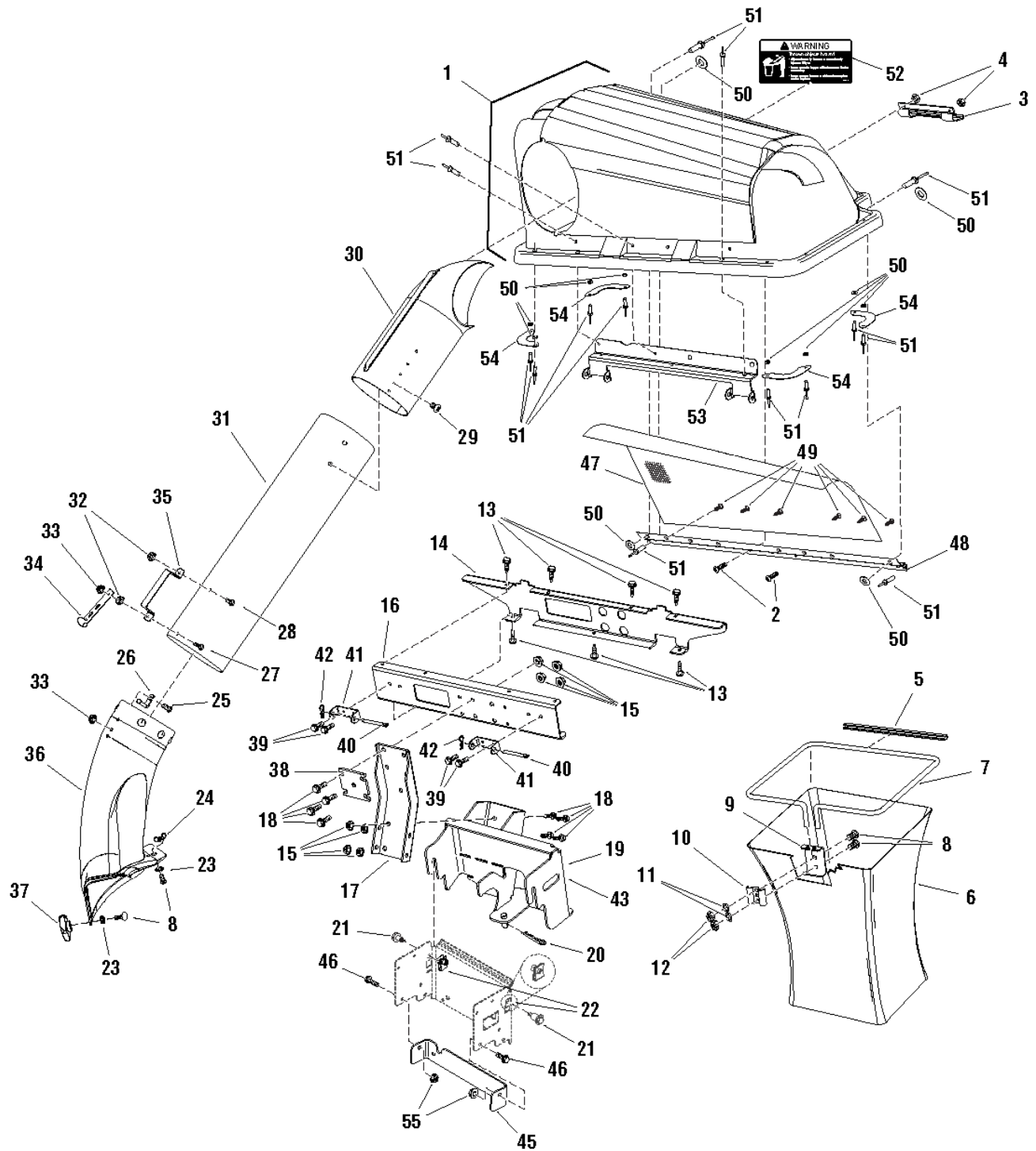
## Twin Bag Catcher Assembly

Item	Part No	Qty	Description	Note
1	1733758	1	COVER ASSEMBLY, Twin Catcher	(Includes Ref Nos. 47, 48, 49, 50, 51, 52, 53 & 54)
2	1960404	2	SCREW, Phillips, 10 - 24 x 3/4	
3	720537	1	HANDLE, Plastic	
4	1933896	2	NUT, Hex .10 - 24	
5	1675707	2	CLIP, Tube Grass Bag	
6	1703764	2	BAG, Grass	
7	1733491	2	HOOP, Twin	
8	1931333	6	BOLT, Carriage, 5/16 - 18 x 3/4, G5	
9	1703807A	2	HANGER, Grass Bag	
10	1672023A	2	CLAMP, Grass Bag	
11	1917356	4	LOCKWASHER, Spring, 5/16	
12	1917372	4	NUT, Hex, 5/16 - 18	
13	1664847	7	SCREW, Hex Washer Head Taptite, 5/16 - 18 x 3/4	
14	1733613A	1	BRACKET, Cross Support, Twin	
15	1928352	8	NUT, Hex, 3/8-16	
16	1734428A	1	CHANNEL, Cross Support Twin	
17	1707526A	1	SUPPORT, Upright	
18	1933260	8	SCREW, Hex Whiz Lock Flange 3/8 - 16 x 1	
19	1733627	1	SUPPORT ASSEMBLY, Catcher	
20	1960033	1	CLIP, Hair Pin	
21	1728976	2	BOLT, Shoulder, 5/16 - 18 x 1.62	
22	1960717	2	NUT, Speed, 5/16 - 18	
23	1933988	2	NUT, Push Pal	
24	720125	1	NUT, Wingnut	
25	1960252	1	BOLT, Carriage, 1/4 - 20 x .625	
26	720543	1	PIN, Latch	
27	720076	1	SCREW, Machine 1/4 - 20 x 1	
28	720074	1	SCREW, Machine 1/4 - 20 x .50	
29	722855	1	SCREW, 1/7 x .75	
30	1733885	1	ELBOW, Upper Tube	
31	1734299	1	TUBE, Catcher	
32	1928372	2	NUT, Hex Keps, 1/4 - 20	
33	1930642	2	NUT, Hex Flange, 1/4 - 20	
34	2171600	1	STRAP, Hood	
35	720533	1	HANDLE, Connect Tube	
36	1734367	1	TUBE, Boot	
37	1733098	1	KNOB	

### Footnotes:

Note\* Not a serviceable part.

# Twin Bag Catcher Assembly



## **Twin Bag Catcher Assembly**

---

<b>Item</b>	<b>Part No</b>	<b>Qty</b>	<b>Description</b>	<b>Note</b>
38	1733948A	1	PLATE, Reinforcement, Upright	
39	1925003	4	SCREW, Hex Washer Head Tappt 1/4 - 20 x.5	
40	720525	2	PIN, Cover Hinge	
41	1733504A	2	PIVOT, Hinge	
42	1960074	2	CLIP, Hair Pin	
43	--	1	* DECAL, ID Plate	
45	1733903A	1	PLATE, Reinforcement, Frame	
46	1930595	2	SCREW, Hex Whiz Lock Flange, 5/16 - 18 x 1.25	
47	1732488	1	SCREEN, Twin	
48	1734384	1	SCREEN SUPPORT, Twin	
49	1732490	6	FASTENER, Push .25 x .50	
50	1910531	12	WASHER, Rivet .188	
51	1673320	18	RIVET, Pop .188	
52	1732819	1	DECAL, Cover Warning	
53	1733503A	1	HINGE, Cover	
54	1733749A	4	GUSSET, Support Cover	
55	1931277	2	NUT, Hex Flange 5/16 - 18	

### **Footnotes:**

Note\* Not a serviceable part.







*Parts Manual for*

# **SNAPPER®**

## **38" & 42" Twin Bag Catcher**

IT IS THE POLICY OF BRIGGS & STRATTON CORP. TO IMPROVE ITS PRODUCTS WHENEVER IT IS POSSIBLE AND PRACTICAL TO DO SO. WE RESERVE THE RIGHT TO MAKE CHANGES OR ADD IMPROVEMENTS AT ANY TIME WITHOUT INCURRING ANY OBLIGATION TO MAKE SUCH CHANGES ON PRODUCTS MANUFACTURED

**Briggs & Stratton Yard Power Products Group**

535 Macon Road  
McDonough, GA, 30253 U.S.A.  
800-935-2967

[www.snapper.com](http://www.snapper.com)

Copyright © 2008 Briggs & Stratton Corporation  
Milwaukee, WI USA. All Rights Reserved

**Manual No. 7102883**  
**Revision IR, 9/2/2008**  
**TP 400-5414-IR-AT-N**

## Free Manuals Download Website

<http://myh66.com>

<http://usermanuals.us>

<http://www.somanuals.com>

<http://www.4manuals.cc>

<http://www.manual-lib.com>

<http://www.404manual.com>

<http://www.luxmanual.com>

<http://aubethermostatmanual.com>

Golf course search by state

<http://golfingnear.com>

Email search by domain

<http://emailbydomain.com>

Auto manuals search

<http://auto.somanuals.com>

TV manuals search

<http://tv.somanuals.com>