

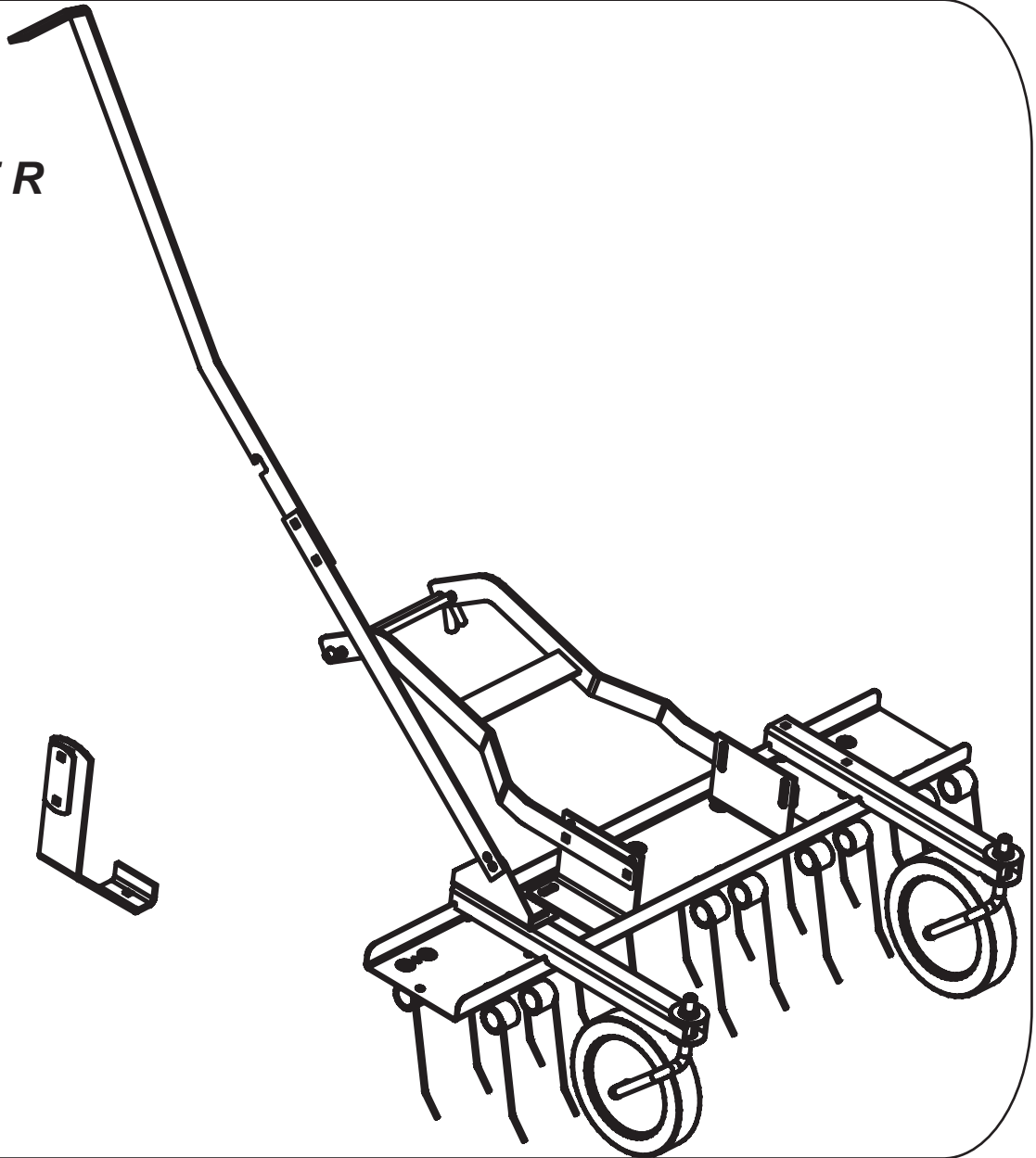
OWNER'S MANUAL

THATCHER

MODEL:

1695066

- Assembly
- Installation
- Operation
- Repair Parts




Important: This manual contains information for the safety of persons and property. Read it carefully before assembly and operation of the equipment!

L-1782-BH-01

Safety Rules



Read these safety rules and the safety rules in your rider Operator's Manual and follow them closely. Failure to obey these rules could result in loss of control of vehicle, severe personal injury to yourself or bystanders, or damage to property or equipment. The triangle  in the text signifies important cautions or warnings which must be followed.



WARNING

Disengage mower and turn off engine before removing thatcher. Do not remove thatcher while mower is running.



WARNING

Do not remove any part of the thatcher or make any adjustment while the engine is running.

ALL WARNING, CAUTION, and instructional messages on your tractor and attachment should be carefully read and obeyed. Personal bodily injury can result when these instructions are not followed.



WARNING

Never operate mower without safety rods installed.



WARNING

Stop engine and remove ignition key whenever you leave operating position and before making repairs, adjustments, or inspections.

This product is manufactured specifically for Simplicity Manufacturing Company, by Brinly-Hardy Company.

"IMPORTANT: THIS MANUAL CONTAINS INFORMATION FOR THE SAFETY OF PERSONS AND PROPERTY. READ IT CAREFULLY BEFORE ASSEMBLY AND OPERATION OF THE EQUIPMENT!"

LIMITED WARRANTY

Brinly-Hardy Company warrants only to the original retail purchaser that this product will remain free of defects in workmanship and materials under normal use and service for a period of two(2) years (NOTE: ninety (90) days for commercial or rental use) commencing with the date of purchase.

Any parts found to be defective within the warranty period will be replaced, with proof of date of purchase, at Brinly Hardy Company's expense. Our obligation under this warranty is expressly limited to replacement or repair, at our option of parts which are defective in material or workmanship within thirty (30) days of receipt of the parts. This warranty does not apply to damage caused by unreasonable use, including failure to provide necessary maintenance, nor does it apply to any transportation or labor charges.

WE MAKE NO OTHER EXPRESS WARRANTY NOR IS ANYONE AUTHORIZED TO MAKE ANY ON OUR BEHALF. ANY IMPLIED OR STATUTORY WARRANTIES, INCLUDING ANY WARRANTY OF MERCHANTABILITY OR FITNESS FOR A PARTICULAR PURPOSE, ARE LIMITED TO THE DURATION OF THIS WRITTEN WARRANTY. WE SHALL NOT BE LIABLE FOR CONSEQUENTIAL OR INCIDENTAL DAMAGES OF ANY KIND.

MADE IN U.S.A.

HARDWARE REFERENCE

Tools Required for Assembly:

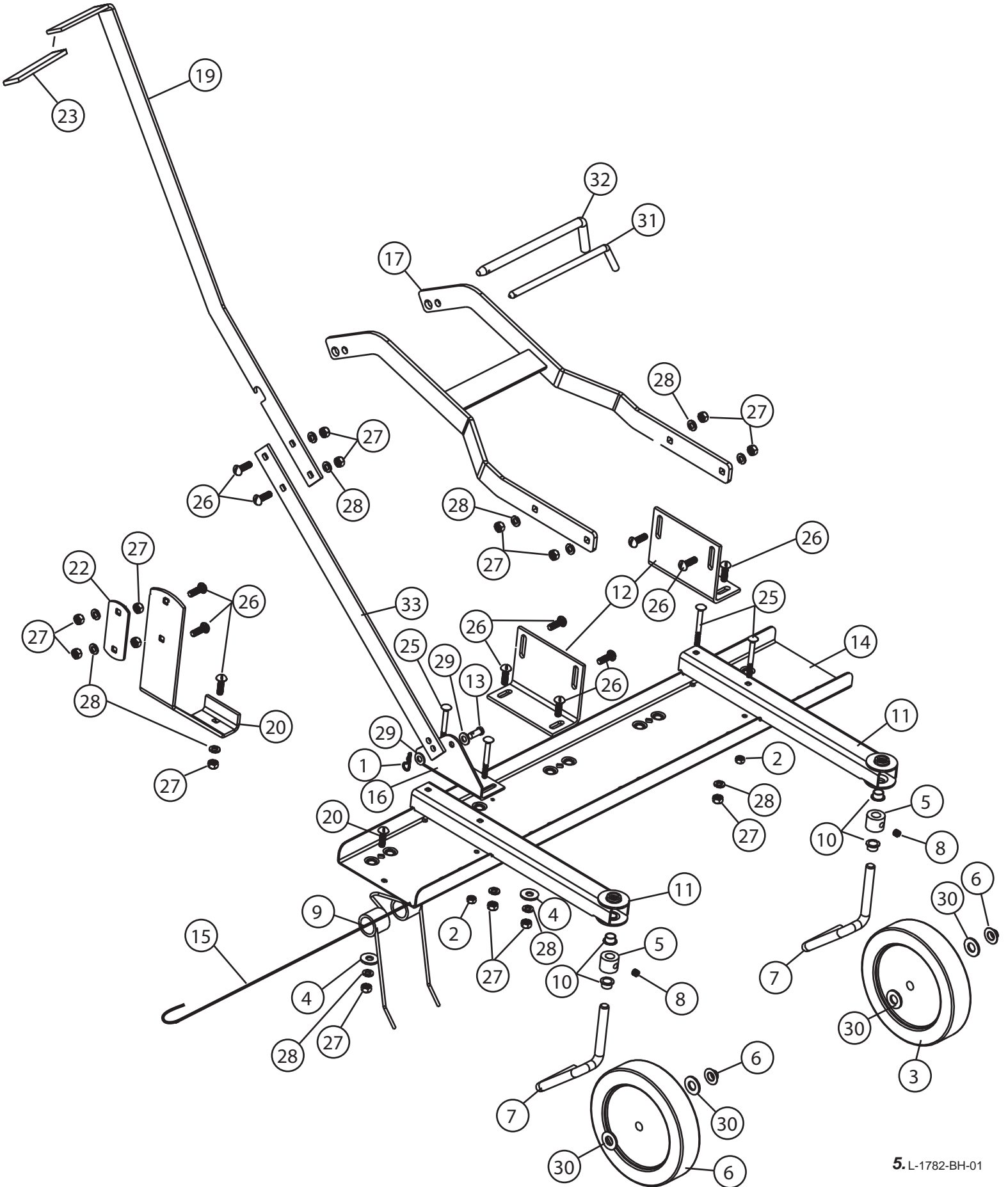
- * 7/16" wrench**
- * 1/2" wrench**
- * Flat Head Screwdriver**
- * Hammer**
- * Pair pliers**

Parts Reference _____

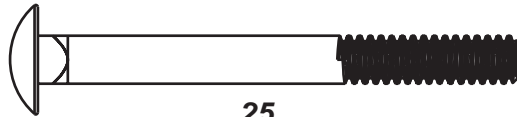
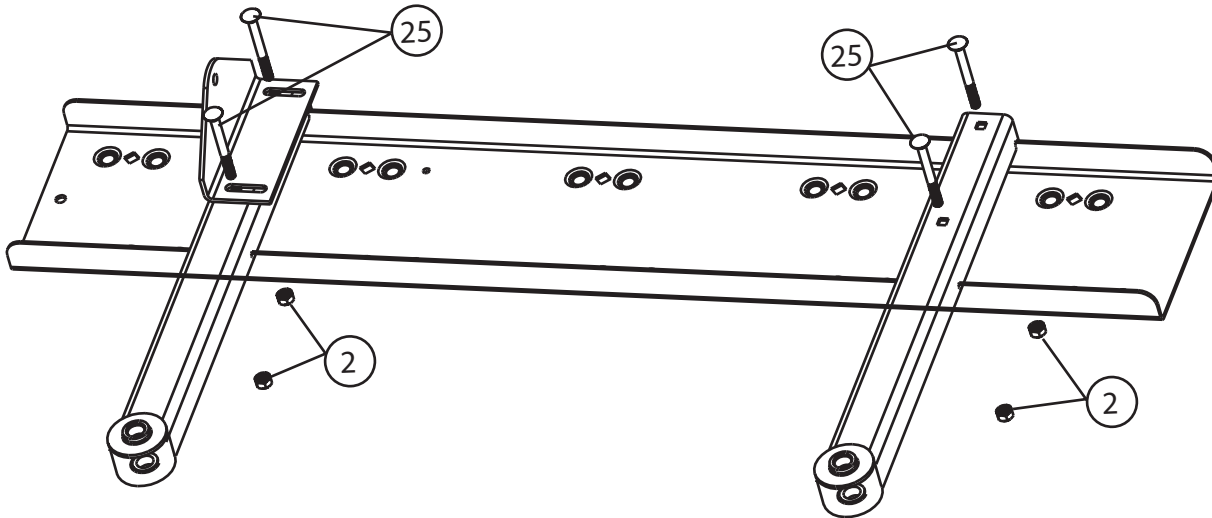
Parts List _____

REF. NO.	PART NO.	QTY.	DESCRIPTION
1	B-983	1	Hair pin cotter
2	B-1673P	4	Hex Lock Nut, 1/4"
3	C-123	2	Gauge wheel
4	R-618	10	Reinforcing washer (special)
5	R-635-01	2	Locking collar
6	R-636	2	Push nut
7	R-637-01	2	Axle
8	R-640	2	Set screw (slotted), 5/16"
9	R-653	10	Thatching Tine
10	R-704	4	Nylon bearing, 1/2"
11	R-705-10	2	Wheel support
12	R-713-10	2	Bracket (tray mounting)
13	R-746	1	Lift pin
14	R-755-10	1	Tray
15	R-1503	2	Tine Safety wire
16	R-1835-10	1	Bracket (lift)
17	R-2466-10	1	Mounting frame
19	R-2474-10	1	Lift handle rear
20	R-2473-10	1	Lift lock bracket
22	R-775-10	1	Handle retaining strap
23	R-803	1	Handle grip
25	10M0840P	4	Carriage bolt, 1/4" x 2-1/2"
26	11M1016P	21	Carriage bolt, 5/16" x 1"
27	30M1000P	23	Hex nut, 5/16"
28	40M1000P	21	Lock Washer, 5/16"
29	45M1111P	3	Plain Washer, 5/16"
30	45M1717P	4	Plain Washer, 1/2"
31	R-2469-01	1	Rod, Small
32	R-2475-01	1	Rod, Large
33	R-2476-10	1	Handle Extention

EXPLODED REFERENCE



Step 1.

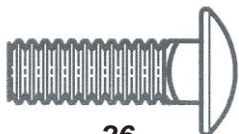
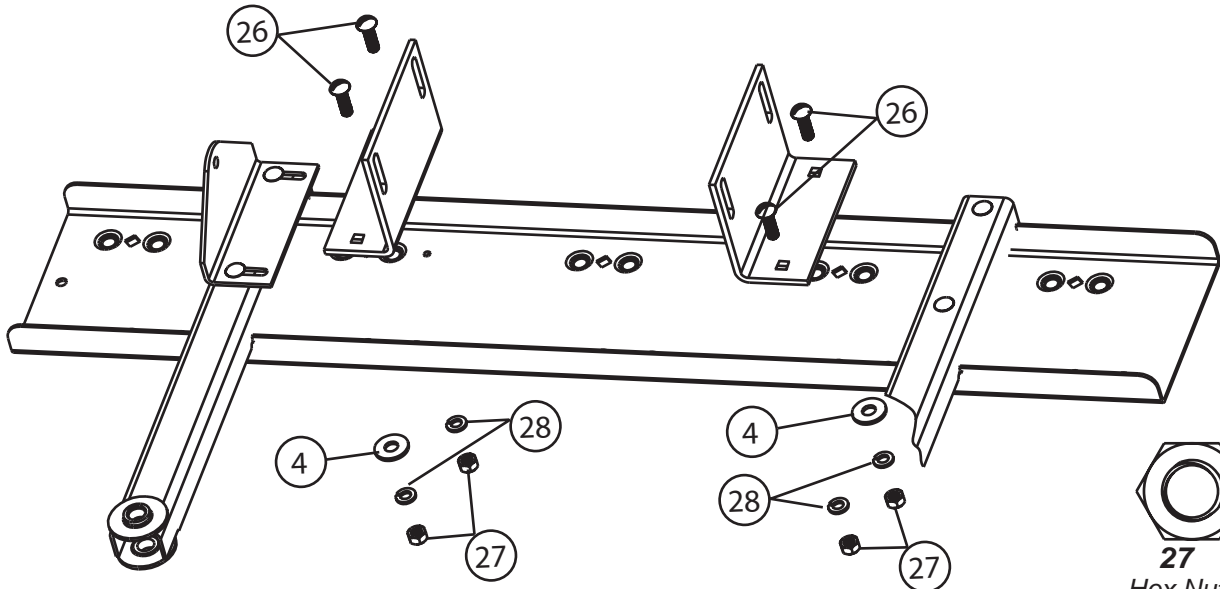


25
1/4" x 2-1/2", Carriage Bolt
Qty. 4

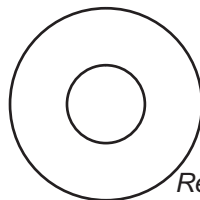


2
Hex Lock Nut
Qty. 4

Step 2.



26
5/16" x 1", Carriage Bolt
Qty. 2



4
Reinforcing Washer
Qty. 2

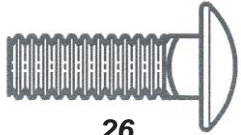
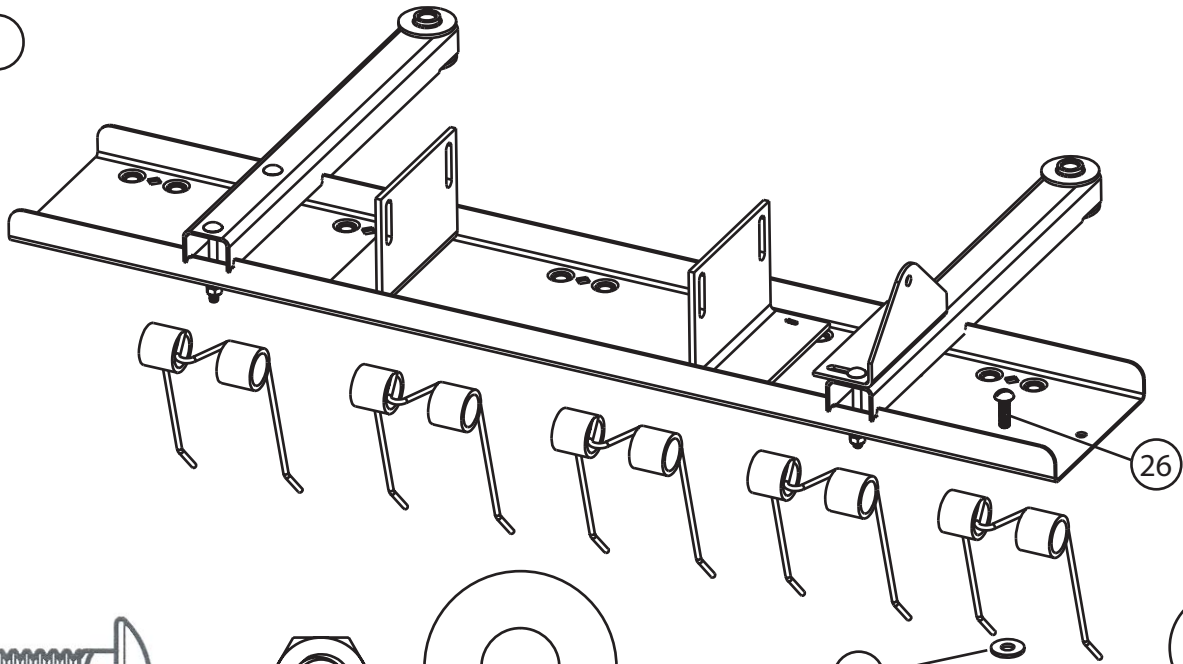


28
5/16" Lock Washer
Qty. 4



27
Hex Nut
Qty. 4

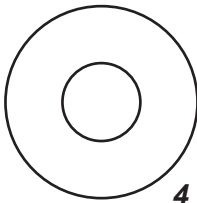
Step 3.



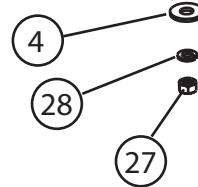
26
5/16" x 1", Carriage Bolt
Qty. 8



27
Hex Nut
Qty. 8



4
Reinforcing Washer
Qty. 8

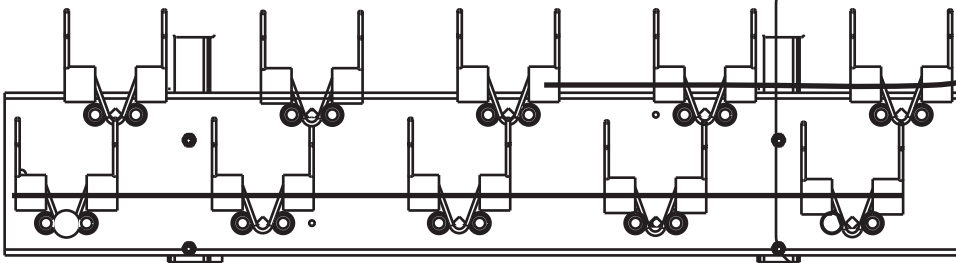
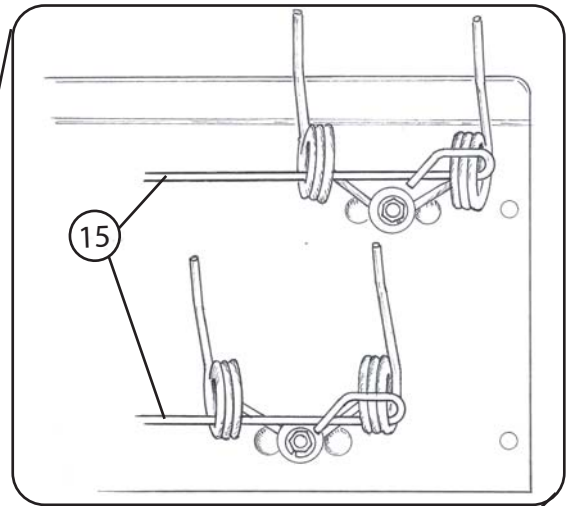


28
5/16" Lock Washer
Qty. 8

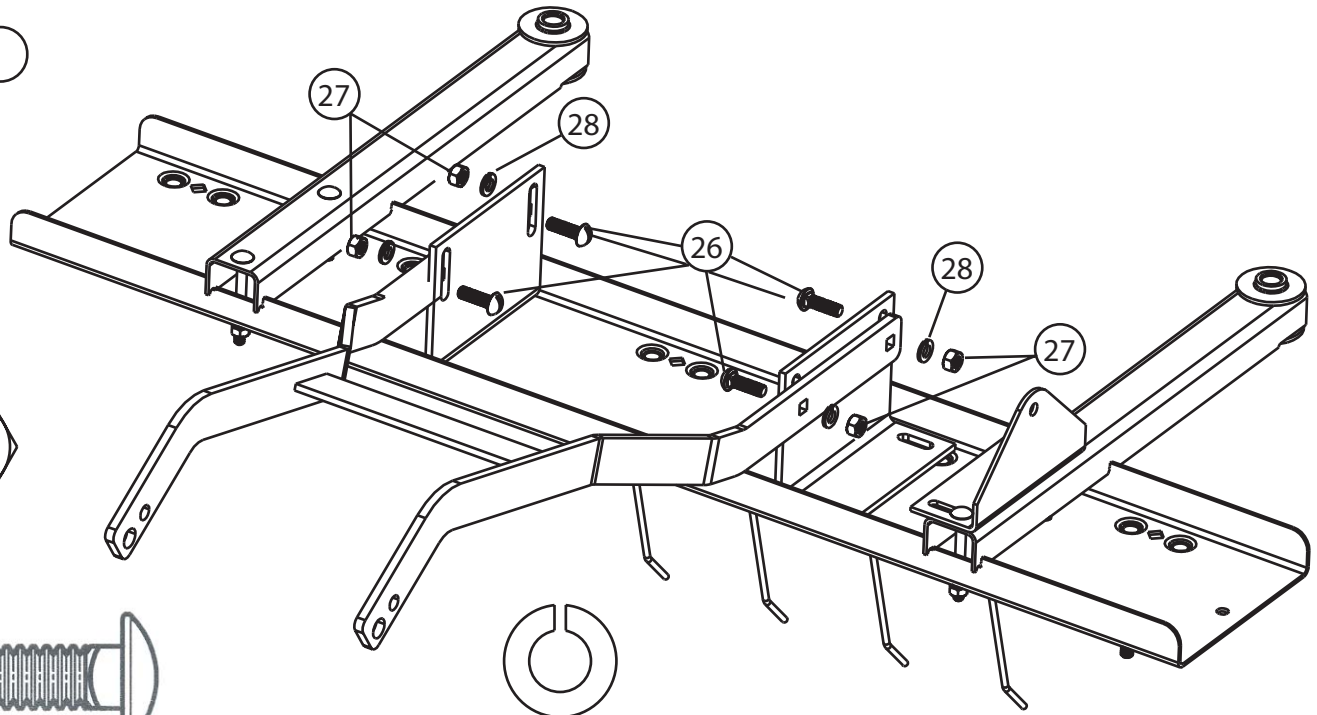


WARNING: Failure to install safety wires can result in personal injury if a tine should disengage from tine tray.

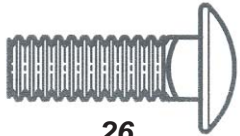
Step 4.



Step 5.



27
Hex Nut
Qty. 4

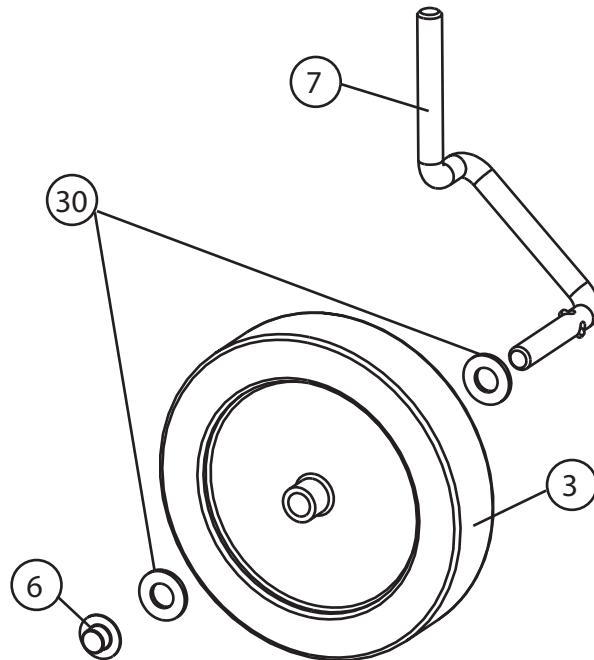


26
5/16" x 1", Carriage Bolt
Qty. 2

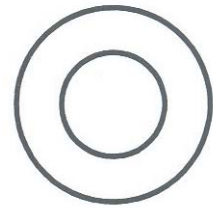


28
5/16" Lock Washer
Qty. 2

Step 6.

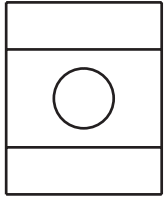


6
Push Nut
Qty. 2



30
1/2" Flat Washer
Qty. 4

Step 7.



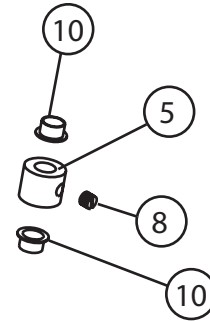
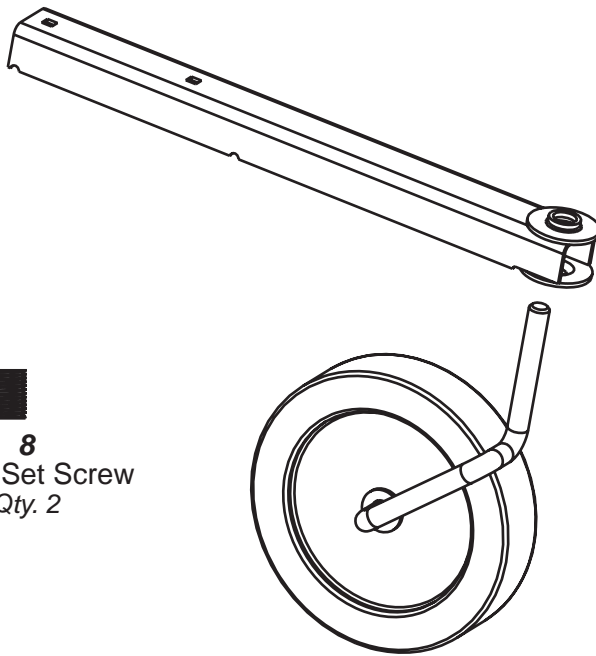
5
Locking collar
Qty. 2



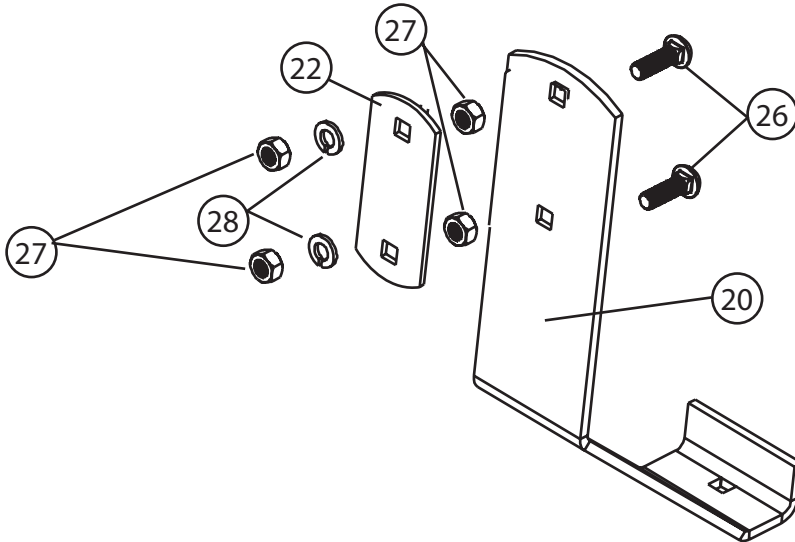
10
1/2", Nylon Bearing
Qty. 4



8
5/16", Set Screw
Qty. 2



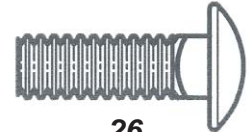
Step 8.



27
Hex Nut
Qty. 4

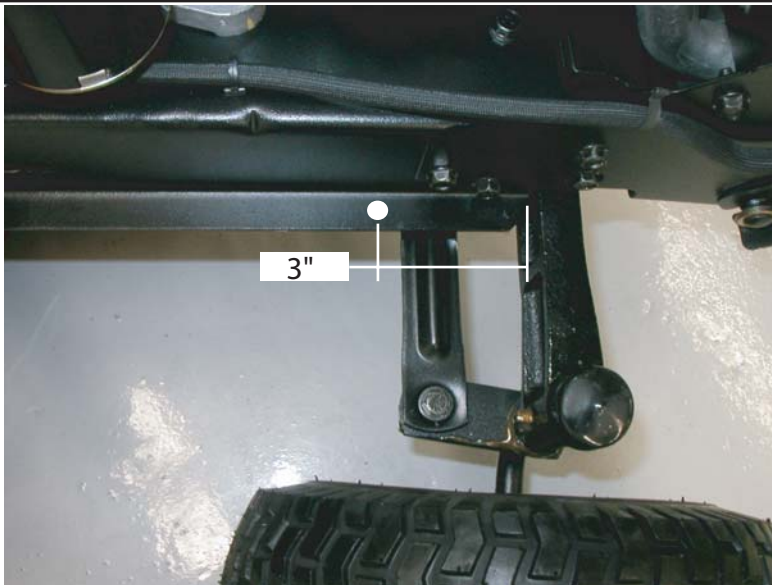


28
5/16" Lock Washer
Qty. 2



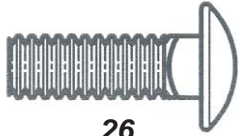
26
5/16" x 1", Carriage Bolt
Qty. 2

Step 9.

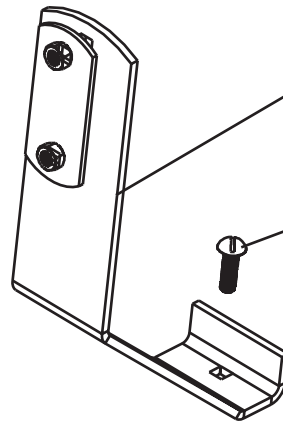


A 11/32" diameter hole needs to be drilled in right side of your tractor frame above front tire. Layout and drill the hole 3" from front of and center of frame lip.

Step 10.



26
5/16" x 1", Carriage Bolt
Qty. 1



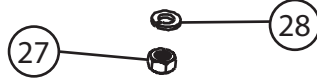
Assembly Lift Lock bracket assembly to tractor under frame where the hole was drilled in previous step.



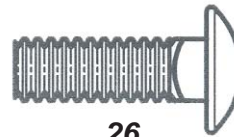
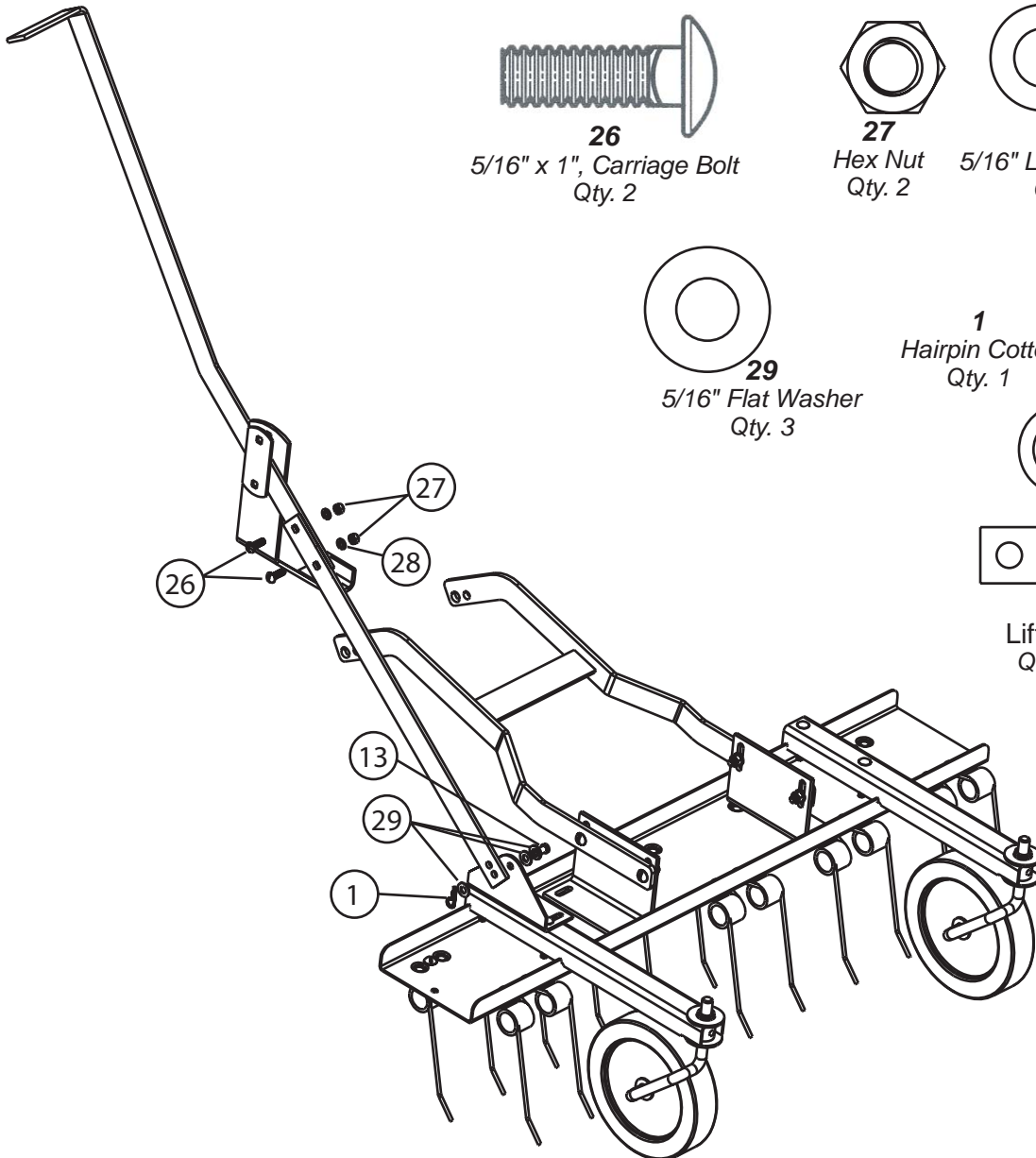
27
Hex Nut
Qty. 1



28
5/16" Lock Washer
Qty. 1



Step 11.



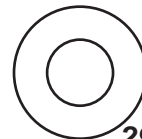
26
5/16" x 1", Carriage Bolt
Qty. 2



27
Hex Nut
Qty. 2

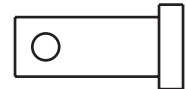
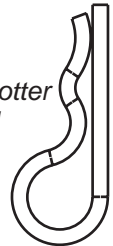


28
5/16" Lock Washer
Qty. 2



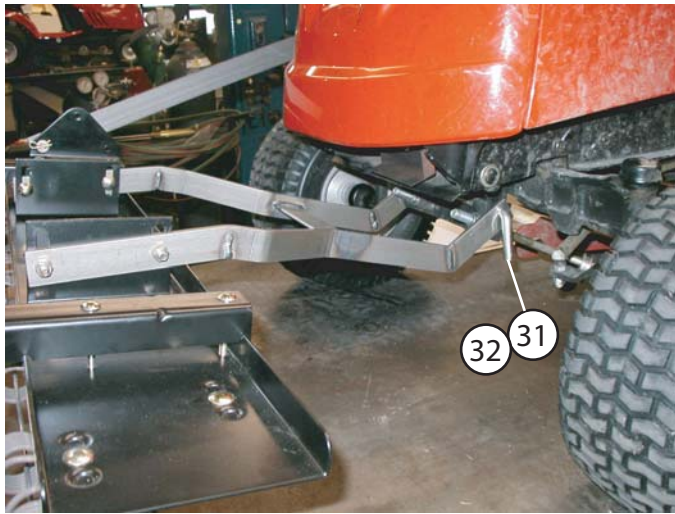
29
5/16" Flat Washer
Qty. 3

1
Hairpin Cotter
Qty. 1



13
Lift Pin
Qty. 1

Step 12.



Remove existing mower deck mounting pin from front of tractor. Assemble the Large or Small rod depending on whether tractor is a Simplicity or Snapper. Secure using retaining ring previously removed.

Adjustment

For most lawns, adjust the thatcher as follows:

1. Select a smooth flat surface such as a driveway, sidewalk, garage floor, etc. Attach the thatcher to the tractor according to the mounting instructions. Be sure both gauge wheels are directly under the wheel support.
2. Loosen the four nuts on the sides of the "L" shaped tray mounting brackets, and the gauge wheel set screws. Adjust the tine tray to place the tine tips approximately 1/2" above the flat surface when in free position and to touch the flat surface when pushed back.
3. Tighten all nuts and gauge wheels set screws.



OPERATION

Tine ACTION- Grass should be less than 3" tall for proper tine action.

When in use, all tines on the De-thatcher should deflect back and "flip" the thatch forward as shown in illustration.

If the tines seem to drag without flipping forward, the tine tray is too low and should be raised.

If all the tines stay in the free position, the tray should be lowered.

Make adjustments as necessary, up or down, by no more than 1/4" each time, until proper results are achieved.



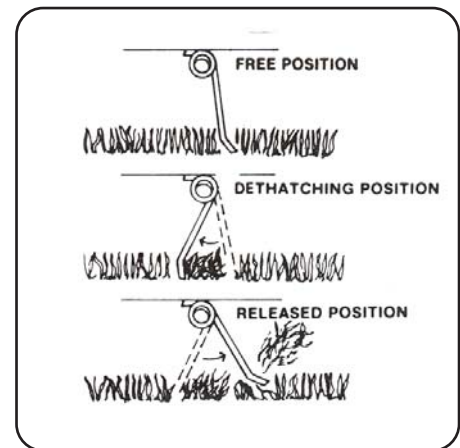
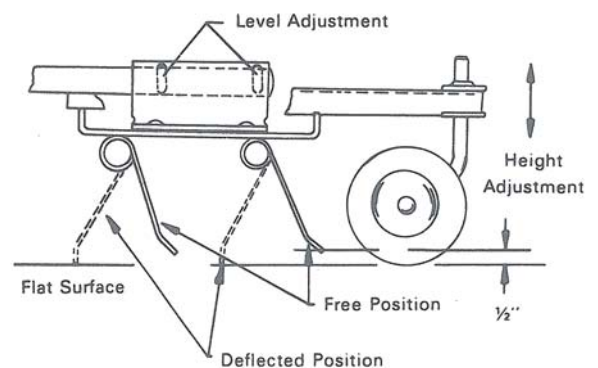
MAINTENANCE

The key to years of trouble-free service is to keep your Sweeper clean and dry.

Occasionally check all moving parts for free movement and, if necessary, lubricate with oil.

Should rust develop, sand lightly and then paint area with enamel.

Periodically check all fasteners for tightness.



When To Use

Every lawn is different, so there are no set rules about when to use the thatcher. Some lawns are very dense and the thatcher should be used about every third or fourth cutting. Lawns that are less dense would require less thatching. In general you want to leave a very thin layer of thatch (about 1/8") in your lawn. This is enough to shade the grass roots from direct sunlight, yet allow plenty of air, water and fertilizer to get to the roots for nourishment.

Free Manuals Download Website

<http://myh66.com>

<http://usermanuals.us>

<http://www.somanuals.com>

<http://www.4manuals.cc>

<http://www.manual-lib.com>

<http://www.404manual.com>

<http://www.luxmanual.com>

<http://aubethermostatmanual.com>

Golf course search by state

<http://golfingnear.com>

Email search by domain

<http://emailbydomain.com>

Auto manuals search

<http://auto.somanuals.com>

TV manuals search

<http://tv.somanuals.com>