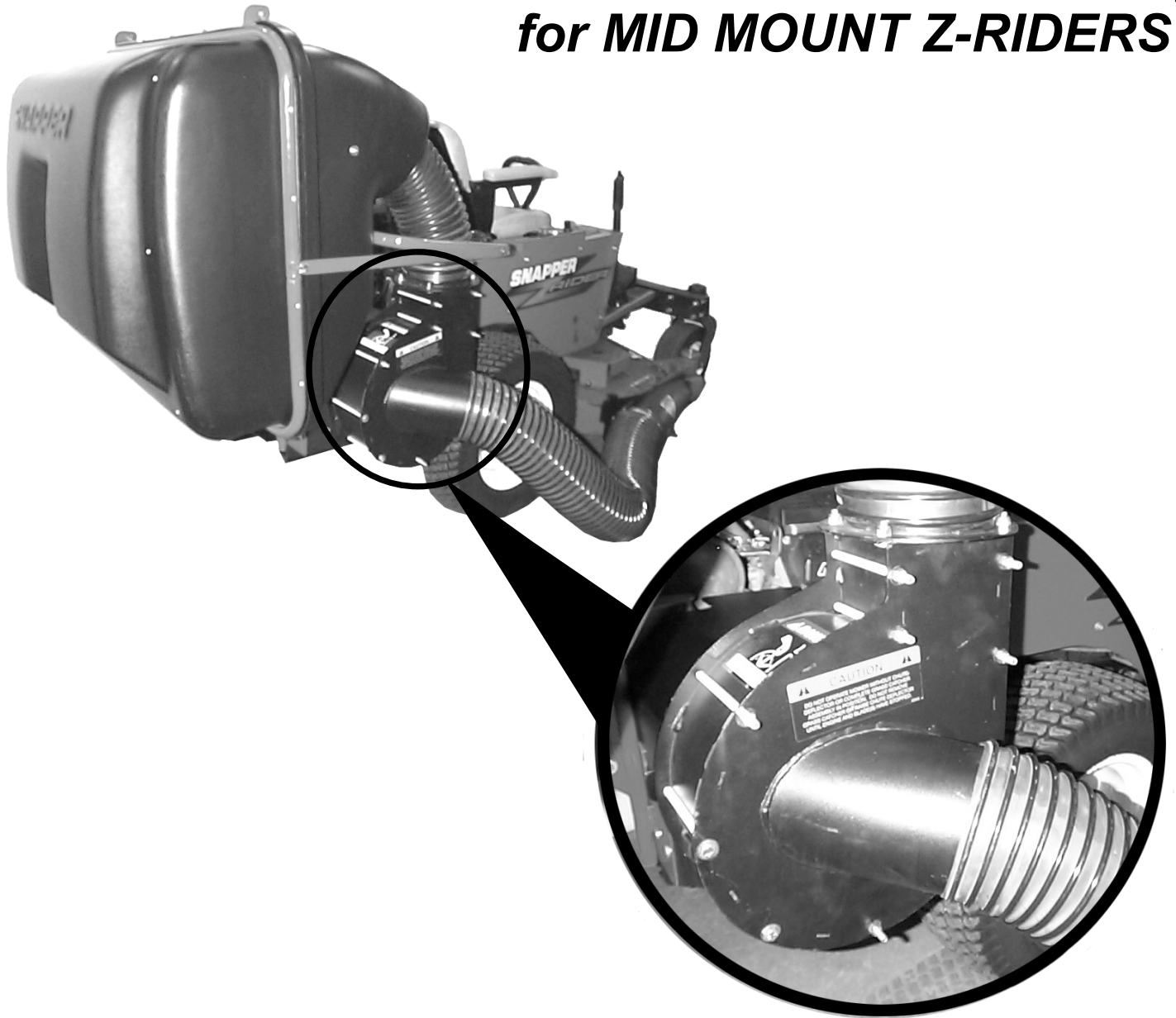


*Safety Instructions, Installation & Operator's Manual For*

# **SNAPPER**<sup>®</sup>

**# 6-3162 BLOWER KIT for  
COMMERCIAL GRASS CATCHERS  
for MID MOUNT Z-RIDERS<sup>™</sup>**



**SNAPPER**<sup>®</sup> McDonough, GA., 30253 U.S.A.

COPYRIGHT © 2000  
SNAPPER INC.  
ALL RIGHTS RESERVED

**MANUAL No. 7-3571 (Rev. 1, 7/28/00)**



# IMPORTANT SAFETY INSTRUCTIONS



**WARNING:** This powerful cutting machine is capable of amputating hands and feet and can throw objects that can cause injury and damage! Failure to comply with the following SAFETY instructions could result in serious injury or death to the operator or other persons. The owner of the machine must understand these instructions and must allow only persons who understand these instructions to operate machine. Each person operating the machine must be of sound mind and body and must not be under the influence of any substance, which might impair vision, dexterity or judgment. If you have any questions pertaining to your machine which your dealer cannot answer to your satisfaction, call or write the Customer Service Department at SNAPPER, McDonough, Georgia 30253. Phone: (1-800-935-2967).

## PROTECTION FOR CHILDREN

Tragic accidents can occur if the operator is not alert to the presence of children. Children are often attracted to the machine and the mowing activity. Never assume that children will remain where you last saw them.

1. **KEEP** children out of the mowing area and under the watchful care of a responsible adult.
2. **DO NOT** allow children in yard when machine is operated (even with the blades OFF).
3. **DO NOT** allow children or others to ride on machine or on attachments (even with the blade OFF). They may fall and be seriously injured.
4. **DO NOT** allow pre-teenage children to operate machine. Local regulations may restrict the age of the operator.
5. **ALLOW** only adults or responsible teenagers with mature judgment under close adult supervision to operate machine.
6. **DO NOT** operate blades in reverse. **STOP BLADES. LOOK and SEE** behind and down for children, pets and hazards before and while backing.
7. **USE EXTRA CARE** when approaching blind corners, shrubs, trees, or other objects that may obscure vision.

## PROTECTION AGAINST TIPOVERS

Slopes are a major factor related to loss-of-control and tip-over accidents, which can result in severe injury or death. All slopes require extra CAUTION. If you cannot back up the slope or if you feel uneasy on the slope, **DO NOT** mow it. Use extra care with grass catchers or other attachments; these and turf conditions affect the handling and the stability of the machine.

1. **DO NOT** operate machine on slopes exceeding 15 degrees (27% grade).
2. Exercise **EXTREME CAUTION** on slopes above 10 degrees (18% grade). Turn blades OFF when traveling uphill. Use a slow speed and avoid sudden or sharp turns.
3. **DO NOT** operate machine back and forth across face of slopes. Operate up and down. Practice on slopes with blades off.
4. **AVOID** uphill starts. If machine stops going uphill or tires lose traction, turn blades OFF and back slowly down the slope.

## PROTECTION AGAINST TIPOVERS

(Continued From Previous Column)

5. **STAY ALERT** for holes and other hidden hazards. Tall grass can hide obstacles. Keep away from ditches, washouts, culverts, fences and protruding objects.
6. **DO NOT** operate machine near drop offs, ditches, embankments, washouts, culverts, fences and protruding objects. **KEEP A SAFE DISTANCE** (at least 3 feet) away from edge of ditches and other drop offs. The machine could turn over if an edge caves in.
7. Always begin forward motion slowly and with caution.
8. Use weights or a weighted load carrier in accordance with instructions supplied with a grass catcher. **DO NOT** operate machine on slopes exceeding 10 degrees (18% grade) when equipped with grass catcher.
9. **DO NOT** put your foot on the ground to try to stabilize the machine.
10. **DO NOT** operate machine on wet grass. Reduced traction could cause sliding.
11. **DO NOT** operate machine under any condition where traction, steering or stability is doubtful.
12. Operator Protective Structures are available for this machine through your local SNAPPER dealer.

## PREPARATION

1. Read, understand and follow instructions and warnings in this manual and on the machine, engine and attachments. Know the controls, the safety signs and the proper use of the machine before starting. If the operators or mechanics cannot read English, it is the owner's responsibility to explain this material to them.
2. Only mature, responsible persons shall operate or service the machine and only after proper instruction and training. The owner is responsible for training the operators. Further, the owner/operator can prevent and/or is responsible for accidents or injuries occurring to themselves, other people or property.
3. Data indicates that operators age 60 and above, are involved in a large percentage of mower-related injuries. These operators should evaluate their ability to operate the mower safely enough to protect themselves and others from serious injury.



# IMPORTANT SAFETY INSTRUCTIONS



## PREPARATION

(Continued From Previous Page)

4. Handle fuel with extra care. Fuels are flammable and vapors are explosive. Use only an approved fuel container. DO NOT remove fuel cap or add fuel with engine running. Add or drain fuel outdoors only with engine stopped and cool. Clean spilled fuel from machine. DO NOT smoke.
5. Practice operation of machine with **BLADES OFF** to learn controls and develop skills.
6. Check the area to be mowed and remove all objects such as toys, wire, rocks, limbs and other objects that could cause injury if thrown by blades or interfere with mowing.
7. Evaluate the terrain to determine what accessories and attachments are needed to properly and safely perform the job. Only use accessories and attachments approved by **SNAPPER**.
8. Keep people and pets out of mowing area. Immediately, **STOP** blades, **STOP** engine, and **STOP** machine if anyone enters the area.
9. **DO NOT** operate machine unless all shields, deflectors, switches, blade controls and other safety devices are in place and functioning properly.
10. Make sure all safety decals are clearly legible. Replace if damaged.
11. Protect yourself when mowing and wear appropriate clothing including safety glasses, long pants, ear protection, hardhat and substantial footwear with good traction. Long hair, loose clothing or jewelry may get tangled in moving parts.
12. Know how to **STOP** blades and engine quickly in preparation for emergencies.
13. Use extra care when loading or unloading the machine into a trailer or truck.
14. Check grass catcher components frequently for signs of wear or deterioration and replace as needed to prevent injury from thrown objects going through weak or worn spots.

## OPERATION

1. Mount and dismount machine from left side.
2. Start engine from operator's seat. Make sure blades are **OFF** and parking brake is set. Use seat belts if provided.
3. **DO NOT** leave machine with engine running. Stop engine. Stop blades. Set brake. Remove key.
4. **DO NOT** operate machine unless properly seated with feet on foot rests or pedal(s).
5. **DO NOT** operate machine while under the influence of alcohol or drugs.

## OPERATION

(Continued From Previous Column)

6. **STOP MACHINE** on level ground, lower deck, engage parking brake and make sure engine and blades have stopped before removing grass catcher or unclogging mower to prevent injury to hands or feet.
7. Blades must be **OFF** except when cutting grass. Set blades in highest position when mowing over rough ground.
8. Keep hands and feet away from rotating blades underneath deck. **DO NOT** place foot on ground while **BLADES** are **ON** or machine is in motion.
9. **DO NOT** operate machine without entire grass catcher or guards in place. **DO NOT** point discharge at people, passing cars, windows or doors.
10. Slow down before turning.
11. Watch out for traffic when near or crossing roadways.
12. **STOP** engine immediately after striking an object or if an abnormal vibration occurs. Remove key. Remove and disconnect the sparkplug wire. Make necessary repairs before resuming operation.
13. Mow only in daylight or with good artificial light.
14. Move motion control levers **SLOWLY** to maintain control during speed and directional changes.
15. Exercise **CAUTION** when pulling loads. **DO NOT** pull loads greater than 300 pounds. Avoid jack knifing. **DO NOT** turn sharply.
16. **DO NOT** operate engine in enclosed areas. Engine exhaust gases contain carbon monoxide, an odorless and deadly poison.

## MAINTENANCE

1. **DO NOT** store machine or fuel container inside where fumes may reach an open flame, spark or pilot light such as in a water heater, furnace, clothes dryer or other gas appliance. Allow engine to cool before storing machine in an enclosure. Store fuel container out of the reach of children in a well ventilated, unoccupied building. Shut off fuel (when equipped with valve) while storing or transporting machine.
2. Clean grass and debris from engine, mufflers, drives and cutting units to help prevent overheating and fires. Clean up fuel, oil and excess grease.
3. When draining fuel tank, drain fuel into an approved container outdoors and away from open flame.
4. Check brakes frequently; adjust, repair or replace as needed.
5. Keep all bolts, nuts and screws properly tight. Check that all cotter pins are in proper position.
6. Always provide adequate ventilation when running engine. Engine exhaust gases contain carbon monoxide, an odorless and deadly poison.



# IMPORTANT SAFETY INSTRUCTIONS



## MAINTENANCE

(Continued From Previous Page)

7. Disconnect battery before performing maintenance or service. Cranking engine could cause injury. Disconnect negative (black) cable from battery first and positive (red) cable last. Reconnect positive first and negative last. Charge battery in an open, well ventilated area away from spark and flames. Unplug charger before connecting or disconnecting from battery. Wear protective clothing and insulated gloves.
8. Park machine on level ground. DO NOT work under machine without safety blocks.
9. Service engine and clean, adjust or repair only when engine and blades are stopped. Remove spark plug wire(s) from spark plug(s) and secure wire(s) away from spark plug(s).
10. DO NOT change engine governor speed settings or overspeed engine. DO NOT make adjustments with the engine running.
11. Lubricate machine at intervals specified in manual to prevent controls from binding.
12. Mower blades are sharp and can cut. Wrap the blades or wear heavy leather gloves and use CAUTION when handling them. Never straighten or weld blades, only replace them.
13. DO NOT test for spark by grounding spark plug next to spark plug hole; spark plug could ignite gas exiting engine.
14. Carefully release pressure from components with stored energy.
15. Have machine serviced by an authorized SNAPPER dealer at least once a year and have the dealer install any new safety devices. Never allow untrained personnel to service machine.
16. Use only genuine SNAPPER replacement parts to assure that original standards are maintained.



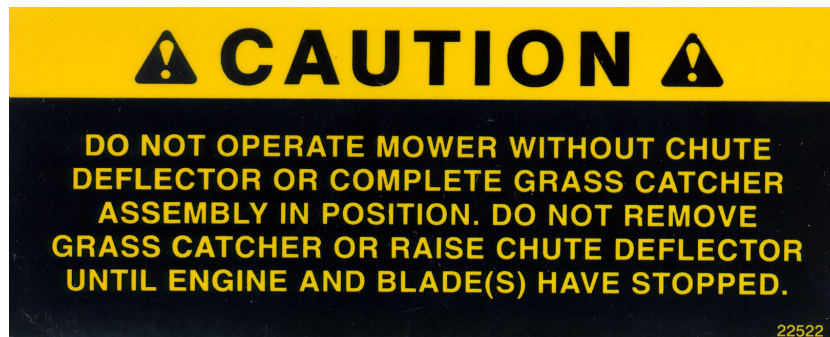
### WARNING



Front Weight Kit #6-3180 must be installed before operating machine with the Clamshell Grass Catcher.

# DECALS

## NEW DECAL



# TABLE OF CONTENTS

IMPORTANT SAFETY INSTRUCTIONS .....	2-4
DECALS .....	5
TABLE OF CONTENTS .....	6
SECTION 1 - INSTALLATION.....	7-10
SECTION 2 - PARTS IDENTIFICATION.....	11-15
WARRANTY .....	16

# SECTION 1 – INSTALLATION

## INTRODUCTION

This section covers installation of the Snapper Commercial Grass Catcher Blower Kit for Snapper Mid Mount Z-Rider mowers. **FAMILIARIZE YOURSELF WITH THIS PRODUCT BEFORE YOU BEGIN INSTALLATION.** See Sections for the PARTS ILLUSTRATIONS and PARTS LISTS. Study these pages. Become familiar with the parts, their method of assembly, and also, their location.

Open the Hardware Bag and separate the nuts, bolts, washers, etc. according to their size. Put the separated fasteners into different bags/containers. This will speed assembly time.

Read the following installation instructions carefully. When you begin installation, make certain that you follow the steps in sequence - as presented - this also will save you time.

### 1.1 BLOWER DRIVE BELT INSTALLATION (All Models)

Install the blower drive belt as follows:

**A.** Depress belt idler and remove the inside (forward) clutch drive belt. See Figure 1.1.

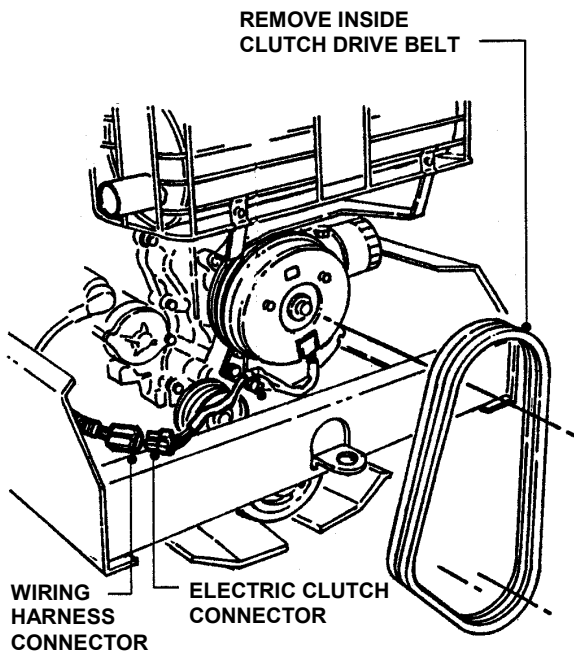


FIGURE 1.1

**IMPORTANT:** The grass catcher kit includes two different length blower drive belts. Carefully check the part numbers to insure you install the correct belt on your machine.

1) Belt Part No. 7-2738 fits ZMT and machines with the # 6-3165 Drive Shaft Lowering Kit installed.

2) Belt Part No. 4-6249 fits all other Mid-Mount machines.

**WARNING**

**DO NOT attempt any maintenance, adjustments or service with engine running. STOP blades. STOP engine. Set brake. Remove key. DO NOT operate machine without entire grass catcher, deflector or guards in place.**

**IMPORTANT:** Some models are equipped with a single belt drive. To install the catcher on these models, the single groove pulley P/N 4-6969 must be replaced with dual groove pulley P/N 7-2388. The idler pulley P/N 1-8573 must also be replaced with P/N 3-5867. On MZM Models only, do not use existing P/N 5-8209 belt. Replace with P/N 3-5543.

**B.** Install blower drive belt on inside (forward) pulley of electric clutch. Stretch belt out to the right hand side and lay it over the frame rail.

**C.** Place the other belt in storage for later use.

### 1.2 DISCHARGE ADAPTER INSTALLATION

**NOTE:** The adapter kits are sold separately based on the size deck on your machine.

61" Decks require Kit No. 6-3076.

52" Decks require Kit No. 6-3077.

Disconnect the battery cables. Remove the negative (Black) cable first. Remove the positive (Red) cable last.

Remove the deflector as follows:

**A.** Remove cotter pin.

**B.** Remove deflector hinge pin and spring.

**C.** Remove deflector and store it, along with the other parts, for later use. See Figure 1.2.

REMOVE COTTER PIN, HINGE PIN, SPRING & DEFLECTOR

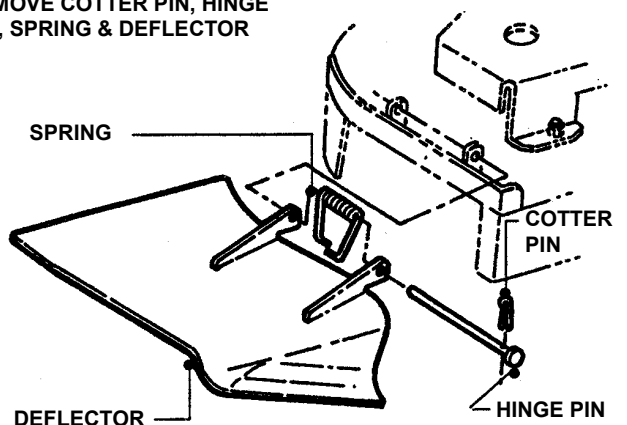


FIGURE 1.2

# SECTION 1 – INSTALLATION

D. Install the discharge adapter. See Figure 1.3.

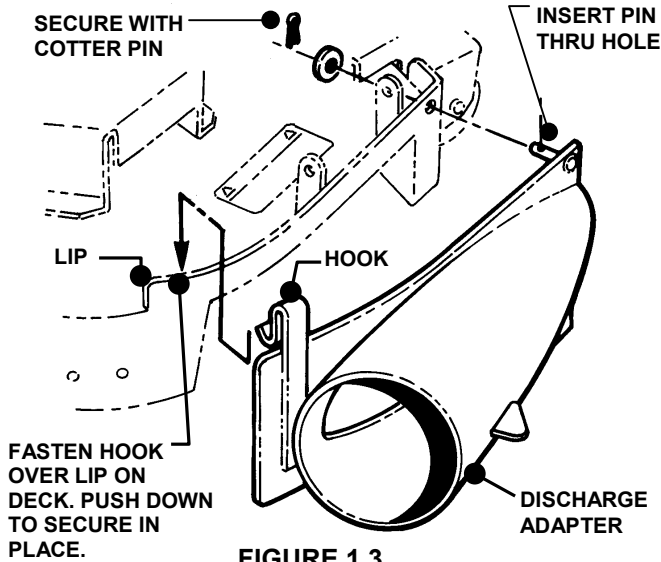


FIGURE 1.3

## 1.3 BLADE INSTALLATION - 61" DECKS ONLY

**NOTE:** Blade Part No. 2-9251 is included in Adapter Kit Part No. 6-3076 for 61" Decks.

A. Apply parking brake.

B. Use a hydraulic floor jack or hoist to raise machine high enough to gain access to the underside of deck. Secure machine with safety blocks.

D. Use blade hardware previously removed to install new kit blade to discharge-side cutter spindle. Refer to Figure 1.4.

## 1.4 FRONT WEIGHT KIT INSTALLATION

**WARNING**

DO NOT attempt any adjustments, maintenance, repairs, service, and unclogging grass tube or deck adapter with the engine running. STOP engine. STOP blade. Engage parking brake. Remove key from ignition switch. Remove spark plug wire(s) and secure wire(s) away from spark plug(s). Engine, muffler and surrounding areas are extremely hot. Allow components to cool down before installing kit. Wear heavy leather gloves when handling or working around cutting blades. Blades are extremely sharp and can cause severe injury. Grass Catchers affect handling & stability of all machines. Exercise extreme caution when operating on slopes. DO NOT operate machine on slopes greater than 10 degrees. DO NOT mow across slopes - mow up & down. DO NOT park machine on slopes.

A. Remove top nuts and top flat washers on both sides of axle. Place all weights on top of axle. The 1/4" thick plate must be at the top. See Figure 1.5.

**WARNING**

Wear heavy leather gloves when handling or working around cutting blades. Blades are extremely sharp and can cause severe injury.

C. Remove discharge-side cutter blade and store for later use. See Figure 1.4.

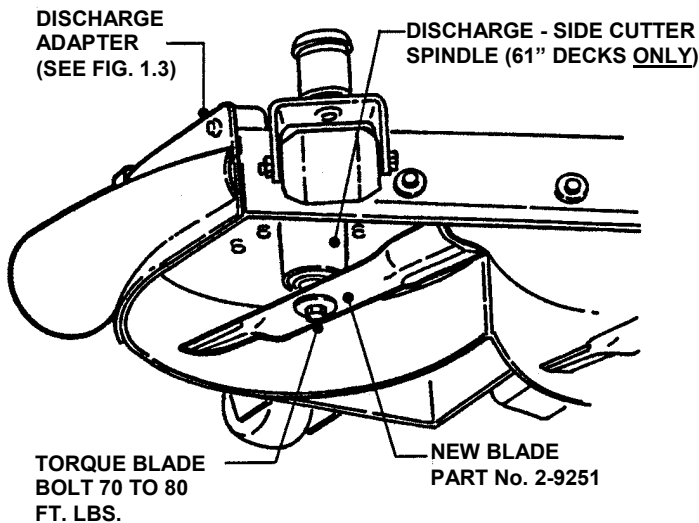


FIGURE 1.4

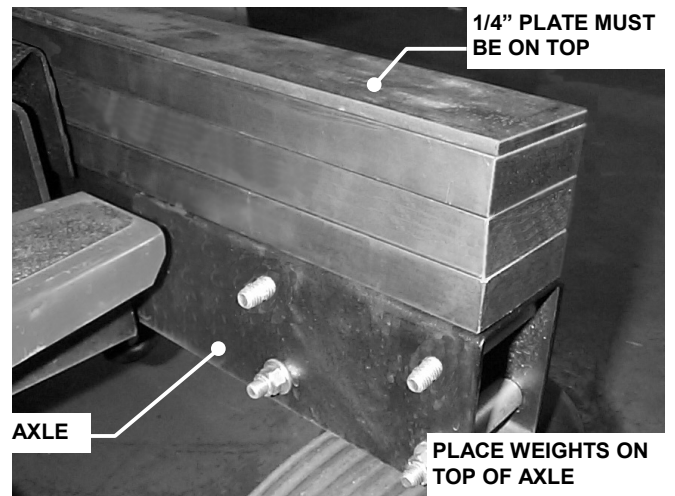


FIGURE 1.5

(Continued On Next Page)



# SECTION 1 – INSTALLATION

**WARNING**

DO NOT attempt any adjustments, maintenance, repairs, service, and unclogging grass tube or deck adapter with the engine running. STOP engine. STOP blade. Engage parking brake. Remove key from ignition switch. Remove spark plug wire(s) and secure wire(s) away from spark plug(s). Engine, muffler and surrounding areas are extremely hot. Allow components to cool down before installing kit. Wear heavy leather gloves when handling or working around cutting blades. Blades are extremely sharp and can cause severe injury. Grass Catchers affect handling & stability of all machines. Exercise extreme caution when operating on slopes. DO NOT operate machine on slopes greater than 10 degrees. DO NOT mow across slopes - mow up & down. DO NOT park machine on slopes.

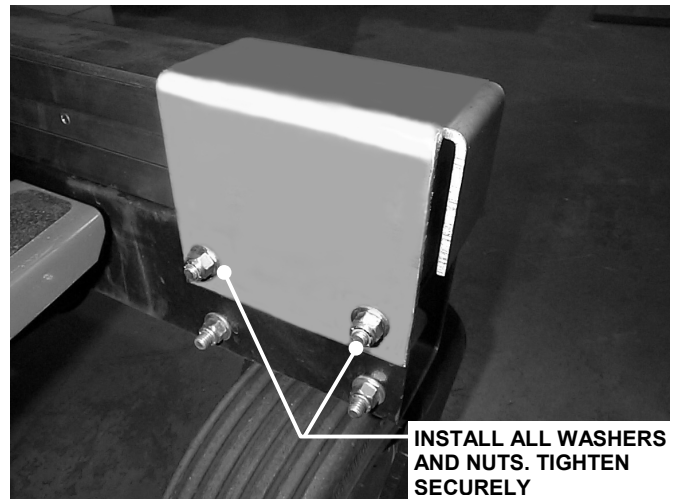


FIGURE 1.5B

## 1.4 FRONT WEIGHT KIT INSTALLATION (Continued From Previous Page)

B. Place end brackets on top of weights and front axle. See Figure 1.5A.

C. Install all four flat washers and top nuts and tighten securely. See Figure 1.5B.

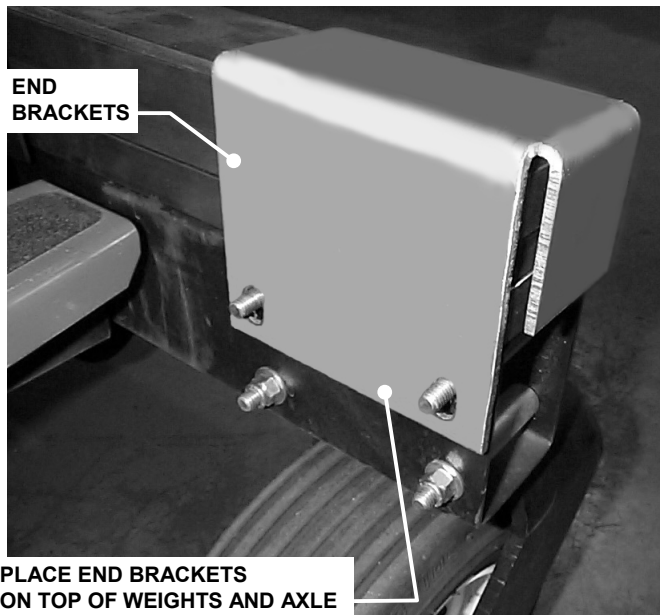


FIGURE 1.5A

# SECTION 1 - INSTALLATION

## 1.5 MOUNTING THE BLOWER SUPPORT ASSEMBLY

1. Place blower support assembly into position on the right rear corner of the frame.
2. Align the blower support assembly with the four (4) holes in the side of the frame and secure with four (4) 5/16-18 x 3/4" carriage bolts and Nyloc nuts.
3. Install the idler pulley assembly as shown in Figure 1.6.
4. Remove the 5/16-18 Nyloc nuts from the appropriate blower assembly bolts as shown in Figure 1.7.
5. Attach the blower assembly to the support as shown in Figure 1.7. Leave room for adjustment.

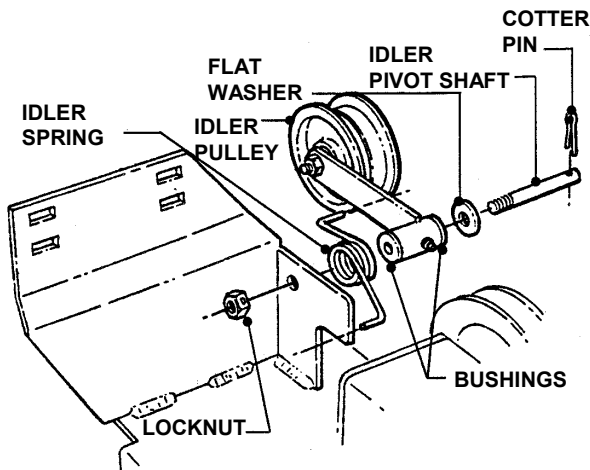


FIGURE 1.6

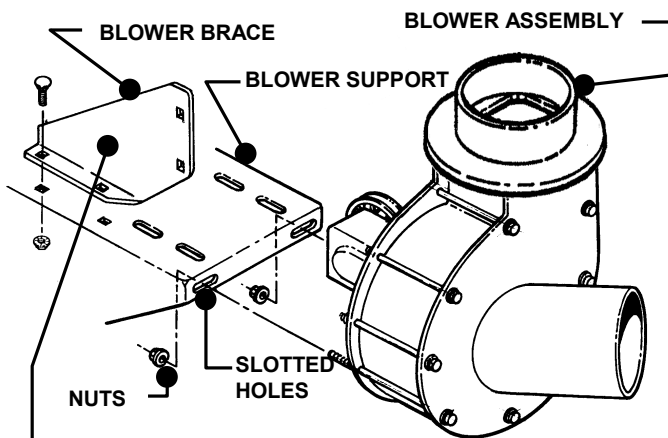


FIGURE 1.7

6. Install belt onto idler and blower pulleys as shown in Figure 1.8. Align idler pulley, blower pulley, and engine drive pulley using belt.
7. Once aligned, tighten the blower assembly to the support.
8. Install belt guard. Refer to Figure 1.9.
9. Mount the left hand brace to the left hand side of frame. See Figure 1.10. Check pulley and belt alignment. Tighten all nuts and bolts securely.

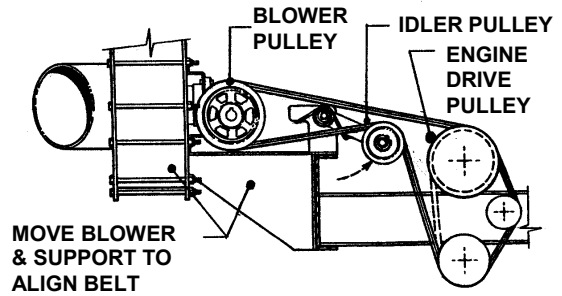


FIGURE 1.8

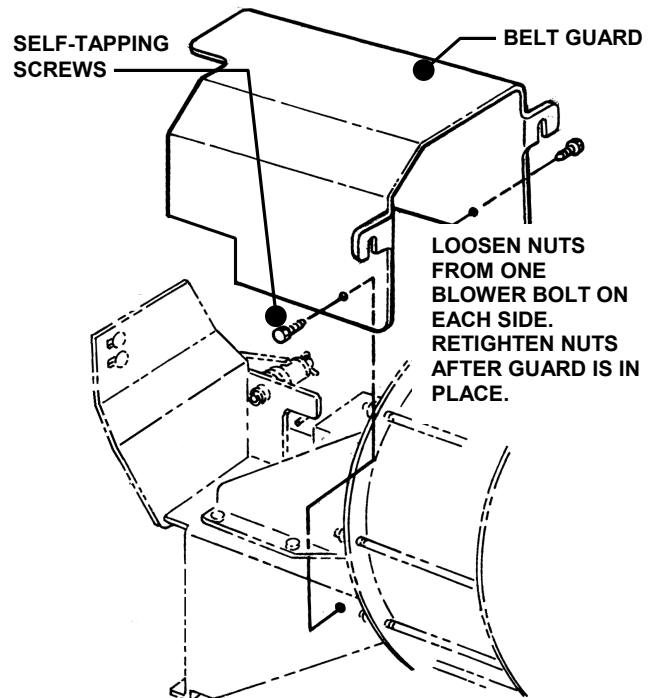


FIGURE 1.9

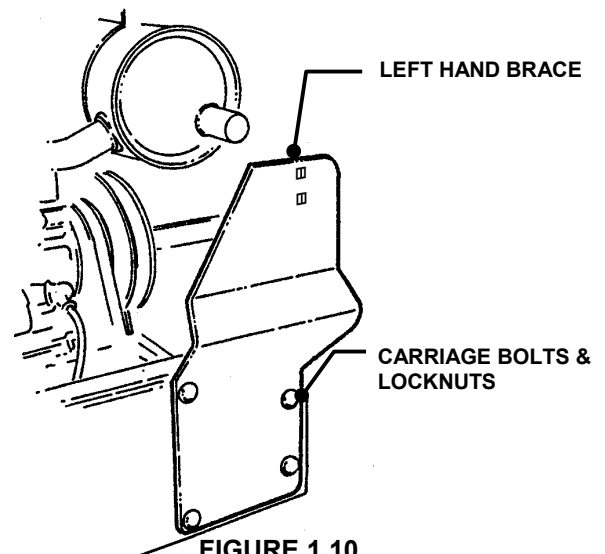


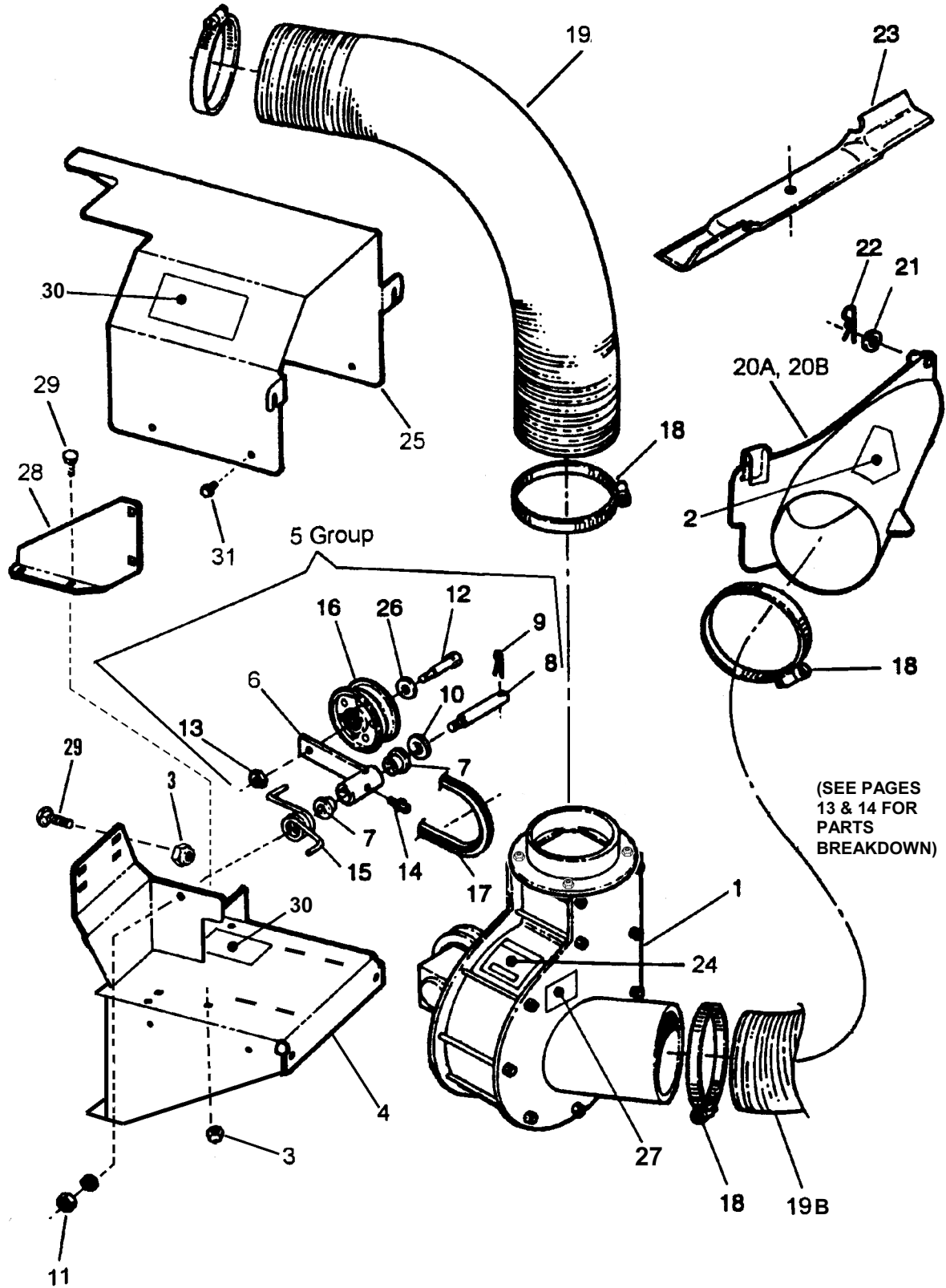
FIGURE 1.10

# SECTION 2 – PARTS IDENTIFICATION

## CONTENTS

<u>ITEM</u>	<u>PAGE NO.</u>
Blower, Idler, Adapter & Blade Assemblies .....	12-13
Blower Assembly .....	14-15

# BLOWER, IDLER, ADAPTER & BLADE ASSEMBLIES



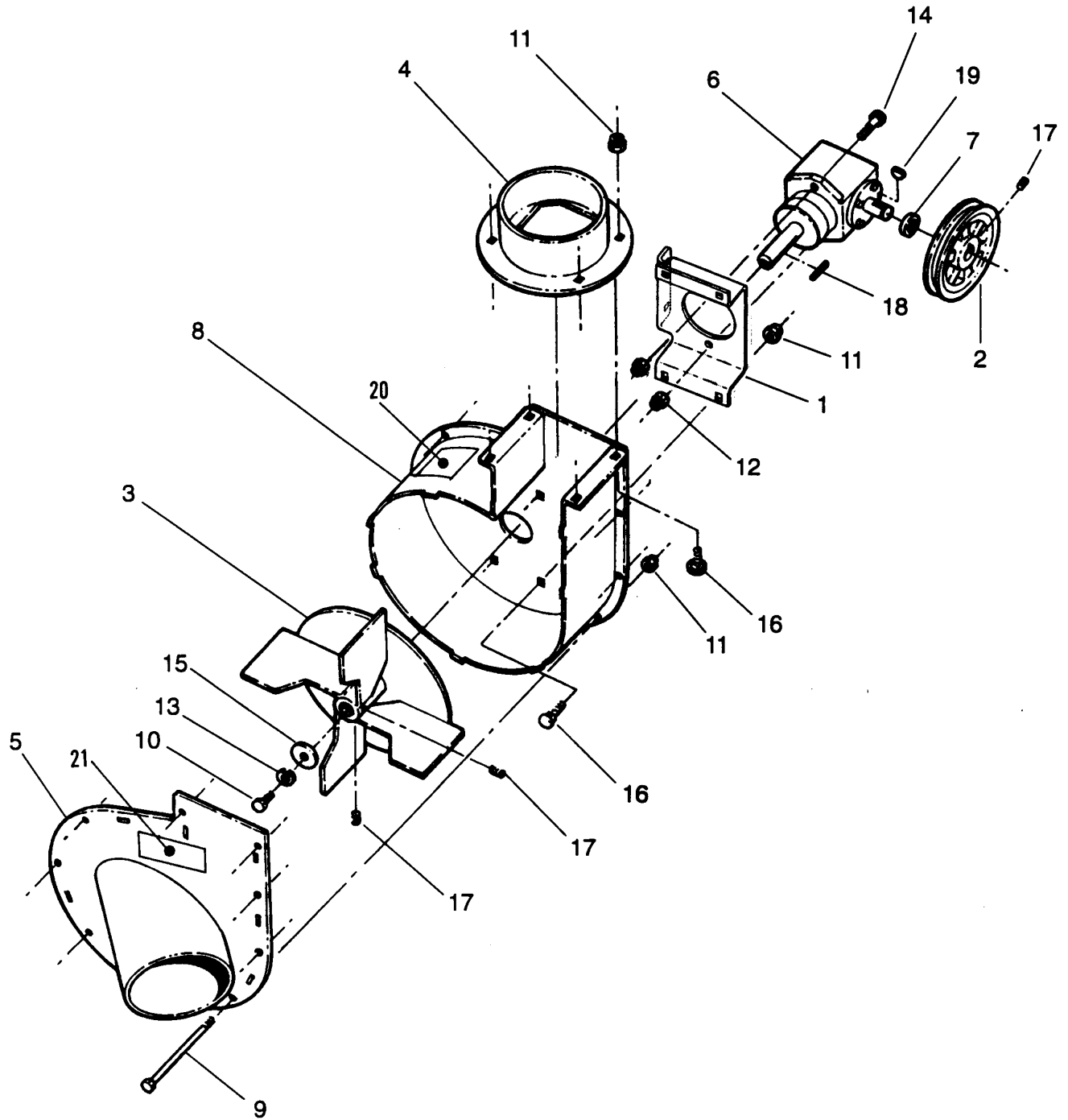
## BLOWER, IDLER, ADAPTER & BLADE ASSEMBLIES

ITEM	PART NO.	DESCRIPTION
1	5-7704	ASSEMBLY, Blower (See Pages 25 & 26 for Parts Breakdown)
2	1-3010	DECAL, Warning
3	9-1298	NUT, 5/16-18 - 3B Hex Nyloc (13)
4	5-8583	ASSEMBLY, Blower Base (Includes item 30)
5	5-7717	GROUP, Idler Arm (Incl. Items 6, 7 thru 16 and 26)
6	4-2622	WELDMENT, Idler Arm (5-3/8" overall length)
7	1-4409	BEARING, 9/16" Flange (2)
8	3-5816	STUD, Idler
9	9-1598	PIN, 1/8 x 3/4" Cotter
10	9-1804	WASHER, 9/16 Narrow-Type Flat
11	9-1518	NUT, 3/8-24 Hex Nyloc
12	9-1553	SCREW, 3/8-16 x 1-3/4" Hex Head Cap, Grade 5
13	9-1299	NUT, 3/8-16 Hex Nyloc
14	1-3324	FITTING, 3/16 Lube
15	3-5713	SPRING, Torsion
16	1-9078	Pulley, Idler
17	4-6249	V-BELT (Kohler Mid Mount Models)
--	7-2738	V-BELT (Twin-Stick Mid Mount Models)
*18	4-6248	CLAMP, 6" Hose (4)
*19A	4-6247	HOSE, Flex 6" x 58" Long
*19B	7-3170	HOSE, Flex 6" x 14" Long
*20A	6-3076	KIT, Catcher Adapter 61" Deck (shown) (Includes item 2)
*20B	6-3077	KIT, Catcher Adapter 52" Deck (Includes item 2)
21	9-0550	WASHER, 1/2 Flat
22	9-1947	PIN, 1/8 x 1/2" Hair
23	2-9251	BLADE, 21" (61" Deck Only)
24	2-4773	DECAL, Hand Danger
25	5-8583	GUARD, Belt (Includes item 30)
26	9-1514	WASHER, 13/32 x 13/16 x 3/8 Flat
27	2-2522	DECAL, Caution
28	7-2399	BRACE, Blower
29	9-1508	BOLT, 5/16-18 x 3/4" Short Neck Carriage, Grade 5 (13)
30	4-1983	DECAL, Danger
31	9-1541	SCREW, 5/16-18 x 3/4" Hex Washer Self-Tapping (3)

**\*NOTE: These parts (18 thru 20) are not part of this Blower Kit. They must be purchased separately. These parts are in #6-3134 Clam Shell Kit.**

### BLOWER KIT

# BLOWER ASSEMBLY



BLOWER KIT

## BLOWER ASSEMBLY

ITEM	PART NO.	DESCRIPTION
1	4-1990	MOUNT, Grass Catcher Gearbox, MMZ/OFZ
2	4-2867	PULLEY, 5.45 O.D. Cast
3	4-4893	WELDMENT, Blower Impeller
4	4-4924	WELDMENT, Chute Adapter
5	5-7733	WELDMENT, Impeller Housing Front (Includes Item 21)
6	4-6215	GEARBOX, Right Angle
7	4-6393	SPACER, Gearbox, Grass Catcher Pulley
8	5-7734	WELDMENT, Blower Housing (Includes Item 20)
9	7-9944	SCREW, 3/8-16 x 5-1/2" Hex Head Cap, Grade 5 (10)
10	9-0160	SCREW, 3/8-24 x 1" Hex Head Cap, Grade 5
11	9-1298	NUT, 5/16-18 Hex Nyloc (18)
12	9-1299	NUT, 3/8-16 Hex Nyloc (2)
13	9-1320	WASHER, 3/8" x 11/16" x 3/32" Slotted Lock
14	9-1328	SCREW, 3/8-16 x 1-1/4" Hex Head Cap, Grade 5 (2)
15	9-1331	WASHER, 13/32" x 1-1/2" Flat
16	9-1508	BOLT, 5/16-18 x 3/4" Short Neck Carriage, Grade 5 (8)
17	9-1802	SCREW, 5/16 x 5/8" Hex Socket Head Set (4)
18	9-1803	KEY, 3/16 x 1-1/2" Square
19	9-1823	KEY, 5/32 x 5/8" Woodruff
20	2-4773	DECAL, Danger Hand
21	2-2522	DECAL, Caution

## BLOWER KIT

# **SNAPPER®**

## **1 YEAR LIMITED WARRANTY**

For one (1) year from purchase date for the original purchaser's use, **SNAPPER**, through any authorized **SNAPPER** dealer will replace, free of charge (except for taxes where applicable), any part or parts found upon examination by the factory at McDonough, Georgia, to be defective in material or workmanship or both.

**SNAPPER** FIELD SERVICEABLE SPINDLES and their components used on **SNAPPER PRO®** Mid Size walks and **SNAPPERZRIDER®** ride on commercial equipment have a three (3) year limited warranty against defects in material or workmanship or both.

All transportation costs incurred by the purchaser in submitting material to an authorized **SNAPPER** dealer for replacement under this warranty must be paid by the purchaser.

This warranty does not apply to engines and their components, and batteries, as these items are warranted separately. This warranty does not apply to parts that have been damaged by accident, alteration, abuse, improper lubrication, normal wear, or other cause beyond the control of **SNAPPER**. This warranty does not cover any machine or component that has been altered or modified, changing safety, performance, or durability.

Batteries have a one (1) year prorated warranty period with free replacement if required during the first ninety (90) days from the original purchase date. **SNAPPER** will not be responsible for any installation cost incurred. The battery warranty only covers original equipment batteries and does not cover damage to the battery or machine caused by neglect or abuse, destruction by fire, explosion, freezing, overcharging, improper maintenance, or use of improper electrolyte.

There is no other express warranty.

### **DISCLAIMER OF WARRANTY**

Implied warranties, including those of merchantability and fitness for a particular purpose, are limited to one (1) year from purchase date for the original purchaser's use, and up to the extent permitted by law and all implied warranties are excluded. This is the exclusive remedy. Liabilities for consequential damages, under any and all warranties are excluded.

Some states do not allow limitations on how long an implied warranty lasts, or do not allow the exclusion or limitation of incidental or consequential damages, so the above limitation or exclusion may not apply to you.

This warranty gives you specific legal rights, and you may also have other rights, which vary, from state to state.

**WARNING: THE USE OF REPLACEMENT PARTS OTHER THAN GENUINE SNAPPER PARTS MAY IMPAIR THE SAFETY OF SNAPPER PRODUCTS AND WILL VOID ANY LIABILITY AND WARRANTY BY SNAPPER ASSOCIATED WITH THE USE OF SUCH PARTS.**

**IMPORTANT:** Please fill out the attached **SNAPPER** Product Registration Card immediately and mail to:  
**Snapper's Product Registration Center, P.O. Box 1379, McDonough, Georgia. 30253**



*Safety Instructions, Installation & Operator's Manual For*

# **SNAPPER®**

**# 6-3162 BLOWER KIT for  
COMMERCIAL GRASS CATCHERS  
for MID MOUNT Z-RIDERS™**

**SNAPPER®** McDonough, GA., 30253 U.S.A.

COPYRIGHT © 2000  
SNAPPER INC.  
ALL RIGHTS RESERVED

**MANUAL No. 7-3571 (Rev. 1, 7/28/00)**

## Free Manuals Download Website

<http://myh66.com>

<http://usermanuals.us>

<http://www.somanuals.com>

<http://www.4manuals.cc>

<http://www.manual-lib.com>

<http://www.404manual.com>

<http://www.luxmanual.com>

<http://aubethermostatmanual.com>

Golf course search by state

<http://golfingnear.com>

Email search by domain

<http://emailbydomain.com>

Auto manuals search

<http://auto.somanuals.com>

TV manuals search

<http://tv.somanuals.com>