

SNAPPER[™] by



G1000

Portable Generator Owner's Manual



Model No. 1666-0 (1,000 Watt AC Generator) Manual No. 190091 Revision 0 (11/09/2001)



TABLE OF CONTENTS

Safety Rules	2-3
Know Your Generator	4
Assembly	5
Operation	6-9
Product Specifications / Maintenance	10-12
Storage	12-13
Troubleshooting	14
Wiring Diagram	15
Replacement Parts	16-23
Emission Control System Warranty	37
Warranty	Last Page

EQUIPMENT DESCRIPTION

Read this manual carefully and become familiar with your generator. Know its applications, its limitations and any hazards involved.


This generator is an engine-driven, revolving field, alternating current (AC) generator. It was designed to supply electrical power for operating compatible electrical lighting, appliances, tools and motor loads. The generator's revolving field is driven at about 3,600 rpm by a single-cylinder engine.

CAUTION! Do Not exceed the generator's wattage/amperage capacity. See "Don't Overload the Generator" on page 9.



Every effort has been made to ensure that information in this manual is accurate and current. However, Generac reserves the right to change, alter or otherwise improve the product and this document at any time without prior notice. The Emission Control System for this generator is warranted for standards set by the Environmental Protection Agency. For warranty information refer to the engine owner's manual.




 WARNING 
<p>The engine exhaust from this product contains chemicals known to the State of California to cause cancer, birth defects, or other reproductive harm.</p>

SAFETY RULES

The safety alert symbol () is used with a signal word (DANGER, CAUTION, WARNING), a pictorial and/or a safety message to alert you to hazards. **DANGER** indicates a hazard which, if not avoided, will result in death

or serious injury. **WARNING** indicates a hazard which, if not avoided, could result in death or serious injury. **CAUTION** indicates a hazard which, if not avoided, might result in minor or moderate injury. **CAUTION**, when used **without** the alert symbol, indicates a situation that could result in equipment damage. Follow safety messages to avoid or reduce the risk of injury or death.

 DANGER	
	<p>Running generator gives off carbon monoxide, an odorless, colorless, poison gas. Breathing carbon monoxide will cause nausea, fainting or death.</p>
<ul style="list-style-type: none"> Operate generator ONLY outdoors. Keep at least 2 feet of clearance on all sides of generator for adequate ventilation. Do not operate generator inside any building or enclosure, including the generator compartment of a recreational vehicle (RV). 	

 WARNING	
	<p>Gasoline and its vapors are extremely flammable and explosive.</p>
	<p>Fire or explosion can cause severe burns or death.</p>

<p>WHEN ADDING FUEL</p> <ul style="list-style-type: none"> Turn generator OFF and let it cool at least 2 minutes before removing gas cap. Loosen cap slowly to relieve pressure in tank. Fill fuel tank outdoors. Do not overfill tank. Allow space for fuel expansion. Keep gasoline away from sparks, open flames, pilot lights, heat, and other ignition sources. Do not light a cigarette or smoke. 	
---	--

<p>WHEN OPERATING EQUIPMENT</p> <ul style="list-style-type: none"> Do not tip engine or equipment at angle which causes gasoline to spill. 	
--	--

<p>WHEN TRANSPORTING OR REPAIRING EQUIPMENT</p> <ul style="list-style-type: none"> Transport/repair with fuel tank EMPTY or with fuel shutoff valve OFF. Disconnect spark plug wire. 	
---	--

<p>WHEN STORING GASOLINE OR EQUIPMENT WITH FUEL IN TANK</p> <ul style="list-style-type: none"> Store away from furnaces, stoves, water heaters, clothes dryers or other appliances that have pilot light or other ignition source because they can ignite gasoline vapors. 	
--	--



⚠ WARNING



Generator produces powerful voltage. Failure to properly ground generator can result in electrocution. Failure to isolate generator from power utility can result in death or injury to electric utility workers due to backfeed of electrical energy.

- When using generator for backup power, notify utility company. Use approved transfer equipment to isolate generator from electric utility.
- National Electric Code requires generator to be properly grounded to an approved earth ground. Call an electrician for local grounding requirements.
- Use a ground circuit fault interrupter (GFCI) in any damp or highly conductive area, such as metal decking or steel work.
- Do not touch bare wires or receptacles.
- Do not use generator with electrical cords which are worn, frayed, bare or otherwise damaged.
- Do not operate generator in the rain.
- Do not handle generator or electrical cords while standing in water, while barefoot, or while hands or feet are wet.
- Do not allow unqualified persons or children to operate or service generator.

⚠ WARNING



Running engines produce heat. Temperature of muffler and nearby areas can reach or exceed 150°F (65°C). Severe burns can occur on contact.

- Do not touch hot surfaces.
- Allow equipment to cool before touching.

⚠ CAUTION

Excessively high operating speeds increase risk of injury and damage to generator. Excessively low speeds impose a heavy load.

- Do not tamper with governed speed. Generator supplies correct rated frequency and voltage when running at governed speed.
- Do not modify generator in any way.

CAUTION

Exceeding generators wattage/amperage cappacity can damage generator and/or electrical devices connected to it.

- See "Don't Overload Your Generator" on page 9.
- Start generator and let engine stabilize before connecting electrical loads.
- Connect electrical loads in OFF position, then turn ON for operation.
- Turn electrical loads OFF and disconnect from generator before stopping generator.

CAUTION

Improper treatment of generator can damage it and shorten its life.

- Use generator only for intended uses.
- If you have questions about intended use, ask dealer or contact Snapper.
- Operate generator only on level surfaces.
- Do not expose generator to excessive moisture, dust, dirt, or corrosive vapors.
- Do not insert any objects through cooling slots.
- If connected devices overheat, turn them off and disconnect them from generator.
- Shut off generator if:
 - electrical output is lost;
 - equipment sparks, smokes, or emits flames;
 - unit vibrates excessively.

⚠ DANGER



Storage batteries give off explosive hydrogen gas during recharging.

Hydrogen gas stays around battery for a long time after battery has been charged. Slightest spark will ignite hydrogen and cause explosion.

You can be blinded or severely injured.



Battery electrolyte fluid contains acid and is extremely caustic.

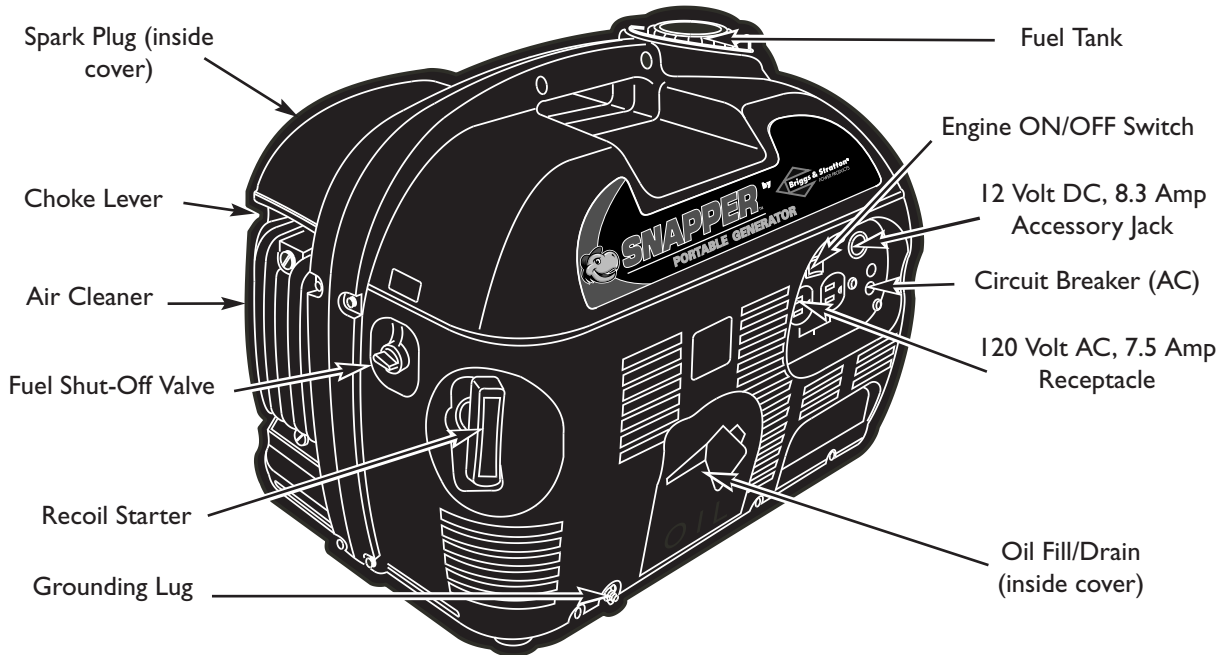
Contact with battery fluid will cause severe chemical burns.

- Do not allow any open flame, spark, heat, or lit cigarette during and for several minutes after charging a battery.
- Wear protective goggles, rubber apron, and rubber gloves.

KNOW YOUR GENERATOR

Read this owner's manual and safety rules before operating your generator.

Compare the illustrations with your generator to familiarize yourself with the locations of various controls and adjustments. Save this manual for future reference.



12 Volt DC, 8.3 Amp Accessory Jack — May be used to power 12 Volt DC electrical devices or recharge 12 Volt DC batteries.

120 Volt AC, 7.5 Amp Receptacles — May be used to supply electrical power for the operation of 120 Volt AC, single phase, 60 Hz electrical lighting, appliance, tool and motor loads.

Air Cleaner — Uses a foam element to limit the amount of dirt and dust that enters the engine.

Choke Lever — Used to manually provide proper starting mixture when engine is cold.

Circuit Breaker (AC) — Receptacles are provided with a push-to-reset circuit breaker to protect the generator against electrical overload.

Engine ON/OFF Switch — Used to stop a running engine.

Fuel Shut-Off Valve — Use this valve to turn the fuel supply on and off.

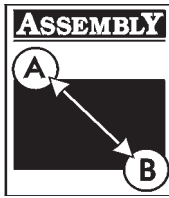
Fuel Tank — Capacity of 1.2 U.S. gallons (4.5 liters) of fuel.

Grounding Lug — Use this connection to properly ground the generator. See "Grounding the Generator" on page 6.

Oil Fill/Drain — Access to oil fill dipstick and engine oil drain plug.

Recoil Starter — Used for starting the engine.

Spark Plug — Access to engine spark plug.



CONTENTS

Check all contents. If any parts are missing or damaged, call the generator helpline at **1-800-270-1408**. Shipped with your generator is:

- Main unit
- Owner's manual
- Battery charge cables

BEFORE STARTING ENGINE

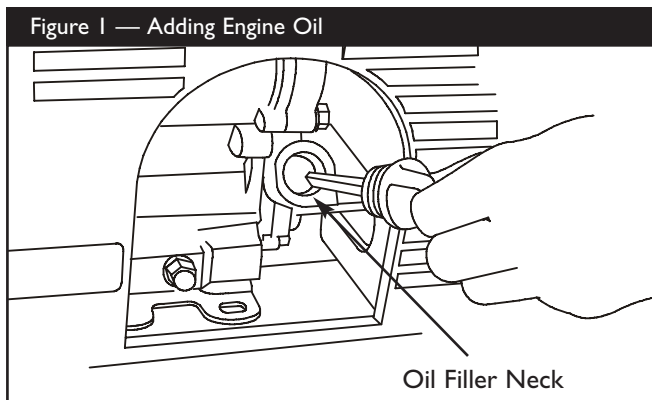
Add Oil

NOTE: When adding oil to the engine crankcase in the future, use only high quality detergent oil rated with API service classification SG, SF/CC, CD. If your expected operating temperature is below 32°F (0°C), use SAE 10W-30. Otherwise use SAE 30.

SAE 10W-30 is recommended for general all temperature use. Multi-viscosity oils (10W30, etc.) improve starting in cold weather, but these oils will result in increased oil consumption. Check your engine oil level more frequently to avoid possible damage from running low on oil.

To Add Engine Oil:

- Place the generator on a level surface.
- Remove the oil fill cover.
- Remove oil filler cap and wipe dipstick clean (Figure 1).



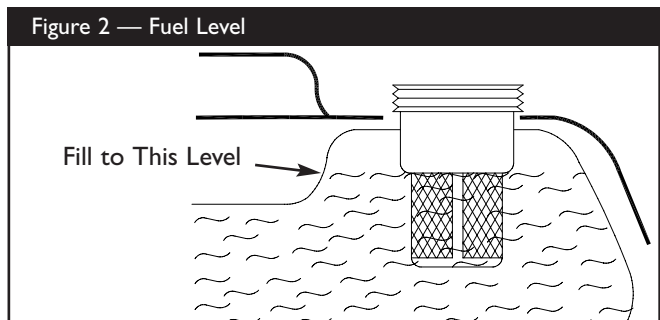
- If the oil level is not at the point of overflowing from the oil filler neck, slowly fill engine with recommended oil.
- Reinstall oil filler cap and tighten securely.
- Replace the oil fill cover.
- Check the engine oil level before starting each time thereafter.

Add Gasoline

WARNING! Never fill fuel tank indoors. Never fill fuel tank when engine is running or hot. **Do Not** light a cigarette or smoke when filling the fuel tank.

CAUTION! Do Not overfill the fuel tank. Always leave room for expansion.

- Use clean fresh UNLEADED gasoline with an octane rating of 86 to 90. **Do Not** use premium or leaded gasoline. **Do Not** mix oil with gasoline.
- Clean area around fuel fill cap, remove cap.
- Check the fuel level.
- If fuel level is low, slowly add recommended gasoline to fuel tank, up to the shoulder of the fuel strainer (Figure 2). Be careful not to overfill (there should be no fuel in the filler neck).



NOTE: Occasionally clear the fuel strainer of any dirt, rust, or other particulate matter.

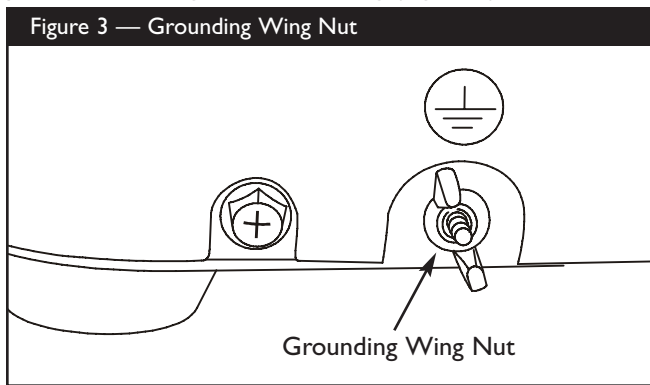
- Install fuel cap and wipe up any spilled gasoline.

Occasionally you may hear a light “spark knock” or “pinging” (metallic rapping noise) while operating under heavy loads. This is no cause for concern. If spark knock or pinging occurs at a steady engine speed under normal load, change brands of gasoline. If pinging or spark knock persists, see your local repair center.



GROUNDING THE GENERATOR

The National Electrical Code requires that the frame and external electrically conductive parts of this generator be properly connected to an approved earth ground. Local electrical codes may also require proper grounding of the unit. For that purpose, a **GROUNDING WING NUT** is provided on the generator housing (Figure 3).



Generally, connecting a No. 12 AWG (American Wire Gauge) stranded copper wire to the grounding wing nut and to an earth-driven copper or brass grounding rod (electrode) provides adequate protection against electrical shock. Be careful to keep the grounding wire attached after connecting the stranded copper wire. However, local codes may vary widely. Consult with a local electrician for grounding requirements in your area.

Properly grounding the generator helps prevent electrical shock if a ground fault condition exists in the generator or in connected electrical devices. Proper grounding also helps dissipate static electricity, which often builds up in ungrounded devices.

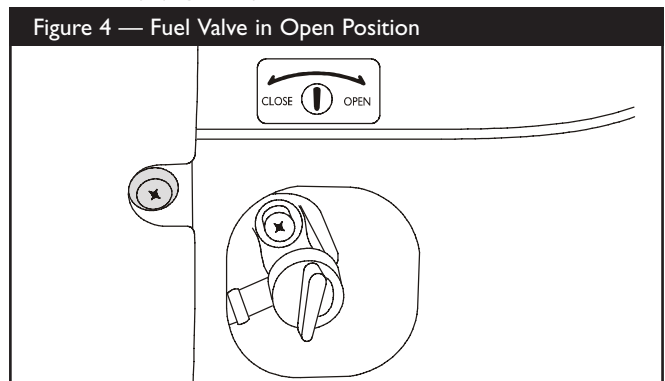
OPERATING THE GENERATOR

CAUTION! Never start or stop the engine with electrical loads connected to the unit and with the connected devices turned ON.

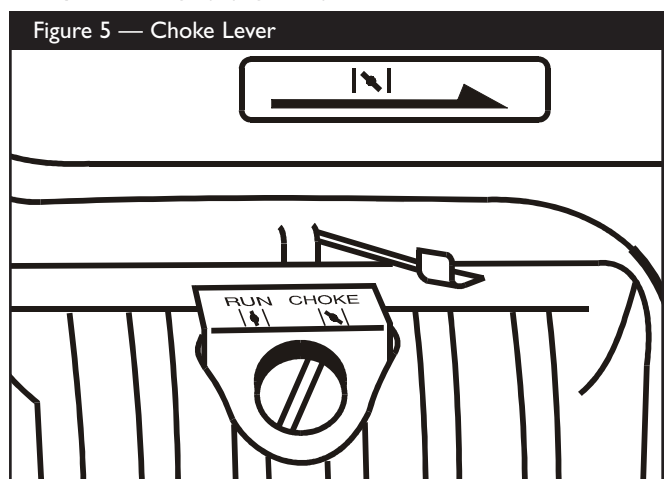
Starting the Engine

Disconnect all electrical loads from the generator. Use the following start instructions:

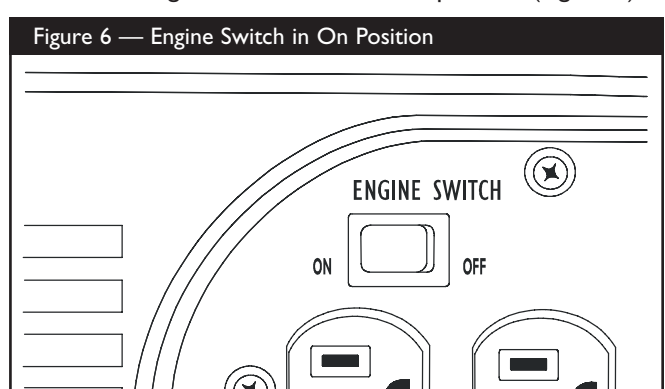
- Be sure the spark plug wire is attached to the spark plug.
- Turn the fuel valve to the “Open” position (fully clockwise) (Figure 4).



- Slide the choke lever to the “Choke” position (all the way to the right) (Figure 5).



- Place the engine switch in the “On” position (Figure 6).






- Grasp starter grip and slowly pull the rope until you feel some resistance, then pull the cord out with a rapid full arm stroke. Let rope return slowly. **Do Not** let rope “snap back” against the unit.

NOTE: If engine starts after 3 pulls, but fails to run for more than 10 seconds, check for proper oil level in crankcase. This unit is equipped with a Oil Alert System (see page 7).

- Slide the choke lever left to the “Run” position as the engine warms up.

NOTE: Under no load conditions, the engine speed may vary slightly faster or slower until engine temperatures stabilize.

 **CAUTION!** Breathing Hazard! **Never** run engine in enclosed poorly ventilated areas. Engine exhaust contains carbon monoxide, an odorless and deadly gas.

Connecting Electrical Loads

- Let engine stabilize and warm up for a few minutes after starting.
- **Do Not** connect 240 Volt loads to 120 Volt receptacles.
- **Do Not** connect 3-phase loads to the generator.
- **Do Not** connect 50 Hz loads to the generator.
- Plug in and turn on the desired 120 Volt AC, single phase, 60 Hertz electrical loads.
- **DO NOT OVERLOAD THE GENERATOR.** Add up the rated watts (or amps) of all loads to be connected at one time. This total should not be greater than the rated wattage/ampere capacity of the generator. See “Don’t Overload the Generator” on page 9.

Stopping the Engine


- Unplug **all** electrical loads from the unit. **Never** start or stop engine with electrical devices plugged in and turned on.
- Let engine run at no-load for two minutes to stabilize the internal temperatures.
- Move engine switch to the “Off” position.
- Turn the fuel valve to the “Close” position (fully counterclockwise).


NOTE: In an emergency, stop the engine by moving the engine switch to the “Off” position.

Oil Alert System

The Oil Alert System is designed to prevent engine damage caused by an insufficient amount of oil in the crankcase. Before the oil level in the crankcase can fall below a safe limit, the Oil Alert System will automatically shut down the engine (the engine switch will remain in the “On” position). If the Oil Alert System causes the engine to shut down, add engine oil.

Charging a Battery

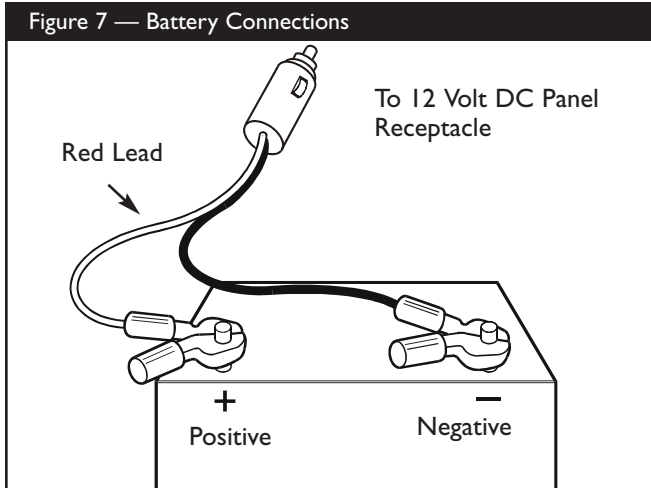
 **WARNING!** Storage batteries emit explosive gas while charging that remains around a battery for a long time after it has been charged. The slightest spark can ignite the gas, causing an explosion that can shatter the battery and cause blindness or other injury.

 **WARNING! Do Not** permit smoking, open flame, sparks or any other source of heat around a battery. **Do Not** use a lighter or other flame for checking battery fluid levels. Wear protective goggles, rubber apron and rubber gloves when working around a battery. Battery electrolyte fluid is an extremely caustic sulfuric acid solution that can cause severe burns. **Do Not** permit fluid contact with eyes, skin, clothing, etc. If spill occurs, flush area with clear water immediately.

Your generator has the capability of recharging a discharged 12 Volt automotive or utility style storage battery. **Do Not** use the unit to charge any 6 Volt batteries. **Do Not** use the unit to crank an engine having a discharged battery.

To recharge 12 Volt batteries, proceed as follows:

- If necessary, clean battery posts or terminals.
- Check fluid level in all battery cells. If necessary, add **ONLY** distilled water to cover separators in battery cells. **Do Not use tap water.**
- If the battery is equipped with vent caps, make sure they are installed and are tight.
- Connect battery charge cable connector plug to the 12 Volt DC panel receptacle.
- Connect battery charge cable clamp with **red** handle to battery post or terminal indicated by **Positive, POS** or **(+)** (Figure 7).



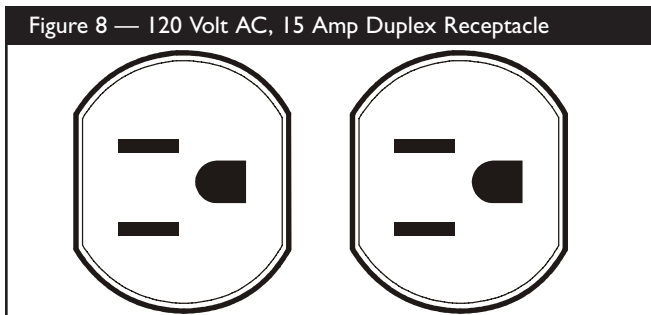
- Connect battery charge cable clamp with **black** handle to battery post or terminal indicated by **Negative**, **NEG**, or **(-)** (Figure 7).
- Start generator. Let the engine run while battery recharges.
- When battery has charged, shut down engine (see “Stopping The Engine”)

NOTE: Use an automotive hydrometer to test battery state of charge and condition. Follow the hydrometer manufacturer’s instructions carefully. Generally, a battery is considered to be at 100% state of charge when specific gravity of its fluid (as measured by hydrometer) is 1.260 or higher.

CONNECTOR PLUGS

120 Volt AC Receptacle

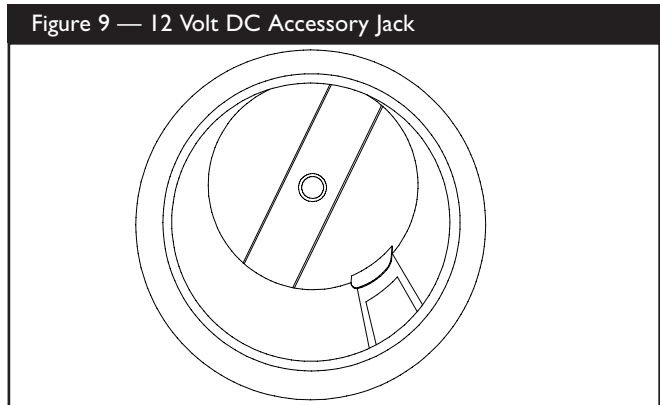
Each outlet socket is protected against overload by a 7.5 Amp push-to-reset circuit breaker. Use each receptacle to operate 120 Volt AC, single phase, 60 Hz electrical loads requiring up to 1,000 watts (1.0 kW) of power (Figure 8).



CAUTION! Although each receptacle is rated for 120 Volts at 15 Amps (1,440 watts or 1.44 kW), the generator is rated for a total of 1,000 watts. Powering loads that exceed the wattage capacity of the generator can damage it or cause serious injuries. The total of loads powered through these receptacles should not exceed 7.5 Amps.

12 Volt DC Accessory Jack

This receptacle allows you to recharge a 12 Volt automotive or utility style storage battery with the battery charge cable provided. Camping-style air pumps, lanterns, fans, or other 12 Volt devices having a cigarette lighter-type plug may also be powered by this outlet (Figure 9).



This receptacle can not recharge 6 Volt batteries and can not be used to crank an engine having a discharged battery. See “Charging a Battery” (page 7) before attempting to recharge a battery.

EXTENSION CORDS

Use only high quality, well-insulated extension cords with the generator’s 120 Volt electrical receptacles.

Check the ratings of all extension cords before you use them. Such cords should be rated for 125 Volt AC loads at 15 Amps (or greater) for most electrical devices. Some devices, however, may not require this type of extension cord. Check the owner’s manuals of those devices for their recommendations.

Keep extension cords as short as possible, preferably less than 15 feet long, to prevent voltage drop and possible overheating of wires.



DON'T OVERLOAD YOUR GENERATOR

Capacity

You must make sure your generator can supply enough rated (running) and surge (starting) watts for the items you will power at the same time. Follow these simple steps:

1. Select the items you will power at the same time.
2. Total the rated (running) watts of these items. This is the amount of power your generator must produce to keep your items running. See Figure 10.
3. Estimate how many surge (starting) watts you will need. Surge wattage is the short burst of power needed to start electric motor-driven tools or appliances such as a circular saw or refrigerator. Because not all motors start at the same time, total surge watts can be estimated by adding only the item(s) with the highest additional surge watts to the total rated watts from step 2.

Example:

Tool or Appliance	Rated (Running) Watts	Additional Surge (Starting) Watts
Window Air Conditioner	1200	1800
Refrigerator	800	1600
Deep Freezer	500	500
Television	500	-
Light (75 Watts)	75	-
	3075 Total Running Watts	1800 Highest Surge Watts

Total Rated (Running) Watts = 3075
 Highest Additional Surge Watts = 1800
 Total Generator Output Required = 4875

Power Management

To prolong the life of your generator and attached devices, it is important to take care when adding electrical loads to your generator. There should be nothing connected to the generator outlets before starting its engine. The correct and safe way to manage generator power is to sequentially add loads as follows:

1. With nothing connected to the generator, start the engine as described in this manual.
2. Plug in and turn on the first load, preferably the largest load you have.
3. Permit the generator output to stabilize (engine runs smoothly and attached device operates properly).

4. Plug in and turn on the next load.
5. Again, permit the generator to stabilize.
6. Repeat steps 4 and 5 for each additional load.

Never add more loads than the generator capacity. Take special care to consider surge loads in generator capacity, as described above.

Figure 10 - Wattage Reference Chart

Tool or Appliance	Rated* (Running) Watts	Additional Surge (Starting) Watts
Essentials		
Light Bulb - 75 watt	75	-
Deep Freezer	500	500
Sump Pump	800	1200
Refrigerator/Freezer - 18 Cu. Ft.	800	1600
Water Well Pump - 1/3 HP	1000	2000
Heating/Cooling		
Window AC - 10,000 BTU	1200	1800
Window Fan	300	600
Furnace Fan Blower - 1/2 HP	800	1300
Kitchen		
Microwave Oven - 1000 Watt	1000	-
Coffee Maker	1500	-
Electric Stove - Single Element	1500	-
Hot Plate	2500	-
Family Room		
DVD/CD Player	100	-
VCR	100	-
Stereo Receiver	450	-
Color Television - 27"	500	-
Personal Computer w/17" monitor	800	-
Other		
Security System	180	-
AM/FM Clock Radio	300	-
Garage Door Opener - 1/2 HP	480	520
Electric Water Heater - 40 Gallon	4000	-
DIY/Job Site		
Quartz Halogen Work Light	1000	-
Airless Sprayer - 1/3 HP	600	1200
Reciprocating Saw	960	960
Electric Drill - 1/2 HP	1000	1000
Circular Saw - 7 1/4"	1500	1500
Miter Saw - 10"	1800	1800
Table Planer - 6"	1800	1800
Table Saw/Radial Arm Saw - 10"	2000	2000
Air Compressor - 1-1/2 HP	2500	2500

*Wattages listed are approximate only. Check tool or appliance for actual wattage.



PRODUCT SPECIFICATIONS

Generator Specifications

- Rated Surge Watts 1,000 Watts
- Rated Running Watts 900 Watts
- Rated Maximum Current
 - At 120 Volts AC 7.5 Amps
 - At 12 Volts DC 8.3 Amps
- Phase Single Phase
- Rated Frequency 60 Hertz
- Packaged Weight 61.0 lbs.

Engine Specifications

- Model Mitsubishi GM82
- Rated Horsepower 2.4 at 4000 rpm
- Displacement 80cc
- Spark Plug Type: NGK BP6HS or equivalent
- Set Gap To: 0.030inch (0.75mm)
- Gasoline Capacity 1.2 U.S. gallons (4.5 l)

GENERAL MAINTENANCE RECOMMENDATIONS

The generator warranty does not cover items that have been subjected to operator abuse or negligence. To receive full value from the warranty, operator must maintain generator as instructed in this manual.

Some adjustments will need to be made periodically to properly maintain your generator.

All adjustments in this section should be made at least once each season. Follow the requirements in the "Maintenance Schedule" chart shown below in Figure 11.

NOTE: Once a year you should clean or replace the spark plug and replace the air filter. A new spark plug and clean air filter assure proper fuel-air mixture and help your engine run better and last longer.

GENERATOR MAINTENANCE

Generator maintenance consists of keeping the unit clean and dry. Operate and store the unit in a clean dry environment where it will not be exposed to excessive dust, dirt, moisture or any corrosive vapors. Cooling air slots in the generator must not become clogged with snow, leaves or any other foreign material.

Figure 11 – Maintenance Schedule

Item	Operation	Each use	First Month or 25 hours	Every 3 months or 50 hours	Every 6 months or 100 hours
Engine oil	Check level	X			
	Change		X	X	
Air cleaner	Check	X			
	Clean			X (1)	
Spark arrester	Check – Clean			X (2,3)	
Spark plug	Check – Clean			X	
Valve clearance	Check – Adjust				X (3)
Fuel tank strainer	Clean				X
Fuel line	Check (Replace if necessary)		Every 3 years (3)		

1 Clean more often under dirty or dusty conditions. Replace air cleaner parts if very dirty.
 2 Check every 10 hours or 3 months.
 3 These items should be serviced by an authorized dealer, unless the owner has the proper tools and is mechanically proficient.



Check the cleanliness of the generator frequently and clean when dust, dirt, oil, moisture or other foreign substances are visible on its exterior surface.

NOTE: Do Not use a garden hose to clean generator. Water can enter engine fuel system and cause problems. In addition, if water enters generator through cooling air slots, some of the water will be retained in voids and cracks of the rotor and stator winding insulation. Water and dirt buildup on the generator internal windings will eventually decrease the insulation resistance of these windings.

To Clean the Generator

- Use a damp cloth to wipe exterior surfaces clean.
- Soft, bristle brush may be used to loosen caked on dirt or oil.

CAUTION! Never insert any object or tool through the air cooling slots, even if the engine is not running.

- A vacuum cleaner may be used to pick up loose dirt and debris.
- Low pressure air (not to exceed 25 psi) may be used to blow away dirt. Inspect cooling air slots and opening on generator. These openings must be kept clean and unobstructed.

DANGER! When working on the generator, always disconnect spark plug wire from spark plug and keep it away from spark plug.

ENGINE MAINTENANCE

Checking Oil Level

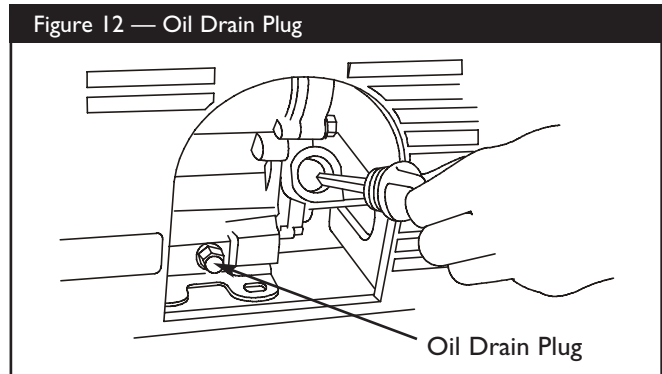
Oil level should be checked prior to each use or at least every 5 hours of operation. Keep oil level maintained.

Changing Engine Oil

See the Maintenance schedule on page 10 for recommended oil change intervals. If you are using your generator under extremely dirty or dusty conditions, or in extremely hot weather, change the oil more often.

Change the oil while the engine is still warm from running, as follows:

- Remove the oil fill cover and clean area around oil drain plug (Figure 12).



- Remove oil drain plug, sealing washer, and oil filler cap. Drain oil completely into a suitable container.
- Install oil drain plug and sealing washer. Tighten securely.
- Refill with recommended oil and check the level. See page 5 for oil recommendations.
- Wipe up any spilled oil.

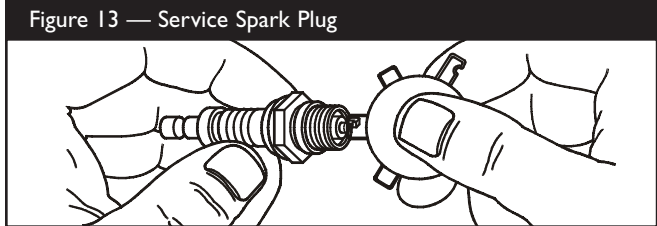
CAUTION! Avoid prolonged or repeated skin contact with used motor oil. Used motor oil has been shown to cause skin cancer in certain laboratory animals. Thoroughly wash exposed areas with soap and water.
KEEP OUT OF REACH OF CHILDREN. DON'T POLLUTE. CONSERVE RESOURCES. RETURN USED OIL TO COLLECTION CENTERS.

- Replace oil fill cover.

Clean/Replace Spark Plug

Check and clean the spark plug every 50 hours of operation or every three months, whichever comes first. This will help your engine start easier and run better.

- Remove spark plug access cover. Remove spark plug cap.
- Clean the area around the spark plug.
- Remove and inspect the spark plug.
- Replace the spark plug if electrodes are pitted or burned or the porcelain is cracked. Use recommended plug for replacement.
- Check electrode gap with wire feeler gauge and set spark plug gap between 0.028 and 0.031 inch (0.7 to 0.8 mm) if necessary (Figure 13).



- Reinstall spark plug.

Service Air Cleaner

Your engine will not run properly and may be damaged if you run it using a dirty air filter element.

Check the air filter every use and clean or replace the air filter element every 50 hours of operation or every three months, whichever comes first. Clean or replace more often if operating under dusty or dirty conditions.

To clean or replace air filter element:

- Loosen the air cleaner cover screws, remove the air cleaner cover, and remove the element (see page 20).
- Wipe clean the inside of the filter housing and cover thoroughly.
- Wash the element in a solution of household detergent and warm water, then rinse thoroughly. Or wash in nonflammable or high flash point solvent. Allow the element to dry thoroughly.
- Soak the element in clean engine oil and squeeze out the excess oil. **Do Not** twist. The engine will smoke during initial start-up if too much oil is left in the element.

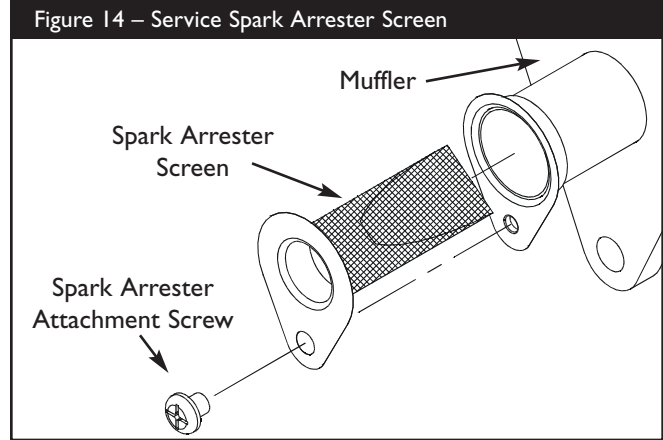
NOTE: If you need to order a new air filter element, please contact the local dealer.

- Reinstall the air cleaner element and the cover. Hand tighten the air cleaner cover screws.

Clean Spark Arrester Screen

The engine muffler is equipped with a removable spark arrester screen. Inspect and clean the screen every 10 hours of operation or every three months, as shown in Figure 14:

- Loosen the screw on the muffler and remove the spark arrester screen.



- Use a brass or stiff-bristle brush to remove carbon deposits from the spark arrester surface.
- Inspect the spark arrester for breaks or tears and replace it if necessary.

NOTE: If you need to order a new spark arrester, please contact the local dealer.

- Install the clean screen in the reverse order of removal.

NOTE: If you use your generator on any forest-covered, brush-covered or grass-covered unimproved land, it must have a spark arrester installed. The spark arrester must be maintained in good condition by the owner/operator.

STORAGE INSTRUCTIONS

Transporting and Storage

When transporting the generator, turn the engine switch to “Off” and the fuel valve to “Close”. Keep the generator level to prevent fuel spillage.

WARNING! Contact with a hot engine or exhaust system can cause serious burns or fires. Let the engine cool before transporting or storing the generator.

Take care to not drop or strike the generator when transporting. **Do Not** place heavy objects on the generator.

The generator should be started at least once every seven days and allowed to run at least 30 minutes. If this cannot be done and you must store the unit for more than 30 days, use the following guidelines to prepare it for storage.



Long Term Storage Instructions

WARNING! Never store engine with fuel in tank indoors or in enclosed, poorly ventilated areas where fumes may reach an open flame, spark or pilot light as on a furnace, water heater, clothes dryer or other gas appliance.
Be sure the storage area is free from excessive humidity and dust.

One Month to One Year

Drain the carburetor float bowl (see “Protect Fuel System”) and fuel tank into a suitable container. After removal from storage, fill with fresh gasoline before starting.

More than One Year

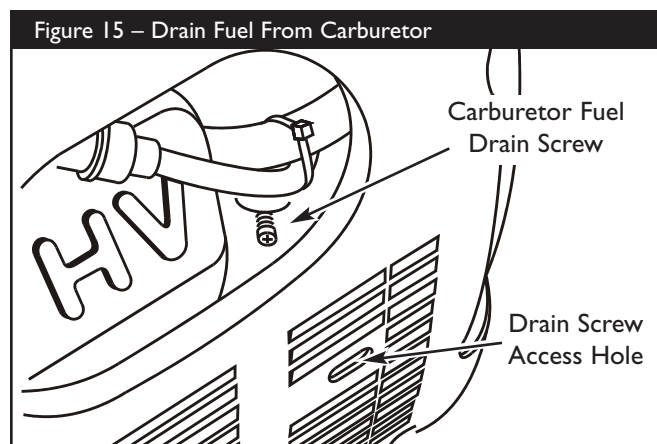
It is important to prevent gum deposits from forming in essential fuel system parts such as the carburetor, fuel filter, fuel hose or tank during storage. Also, experience indicates that alcohol-blended fuels (called gasohol, ethanol or methanol) can attract moisture, which leads to separation and formation of acids during storage. Acidic gas can damage the fuel system of an engine while in storage.

To avoid engine problems, the fuel system should be emptied before storage of 30 days or longer. Follow these instructions:

Protect Fuel System

WARNING! Drain fuel into approved container outdoors, away from open flame. Be sure engine is cool. **Do Not** smoke.

- Drain carburetor float bowl and fuel tank into a suitable container by loosening the drain screw (Figure 15).



- Retighten drain screw before refueling.

Change Oil

While engine is still warm, change oil as described on page 11. Refill with recommended grade.

Oil Cylinder Bore

- Remove spark plug and pour about one tablespoon of clean engine oil into the cylinder.

CAUTION! Avoid spray from spark plug hole when cranking engine slowly.

- Cover spark plug hole with rag. Crank slowly several times to distribute oil.
- Install spark plug. **Do Not** connect spark plug wire.
- Slowly pull the starter grip until resistance is felt. At this point, the piston is coming up on its compression stroke and both the intake and exhaust valves are closed. Storing the engine in this position will help to protect it from internal corrosion.

Generator

- Clean the generator as outlined on page 11 (“To Clean the Generator”).
- Check that cooling air slots and openings on generator are open and unobstructed.

Other Storage Tips

- **Do Not** store gasoline from one season to another.
- Replace the gasoline can if it starts to rust. Rust and/or dirt in gasoline will cause problems.
- If possible, store your unit indoors. **BE SURE TO EMPTY THE FUEL TANK.**
- Cover your unit with a suitable protective cover that does not retain moisture.

IMPORTANT: Never cover your generator while engine and exhaust area are warm.

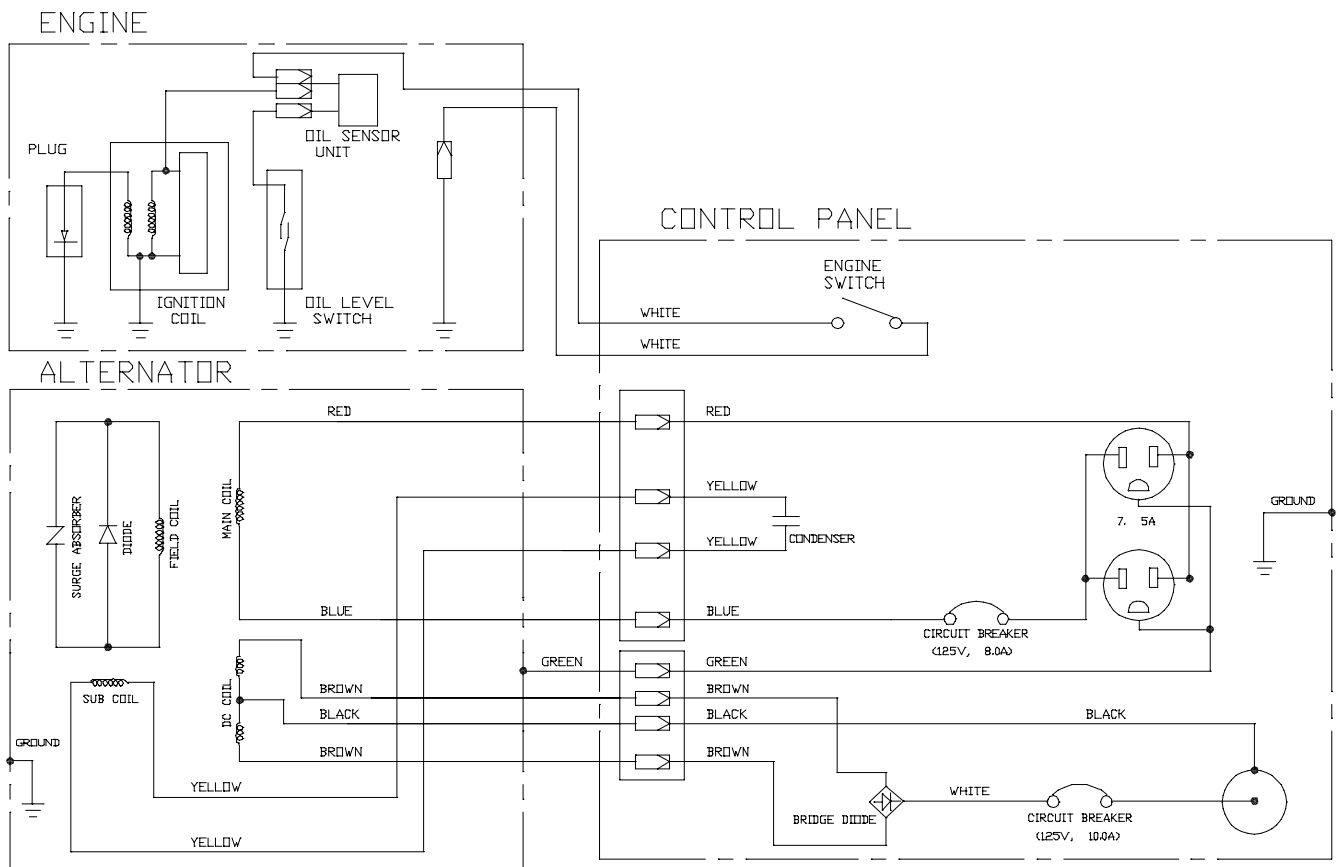
- Store generator in clean, dry area.

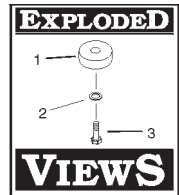


TROUBLESHOOTING

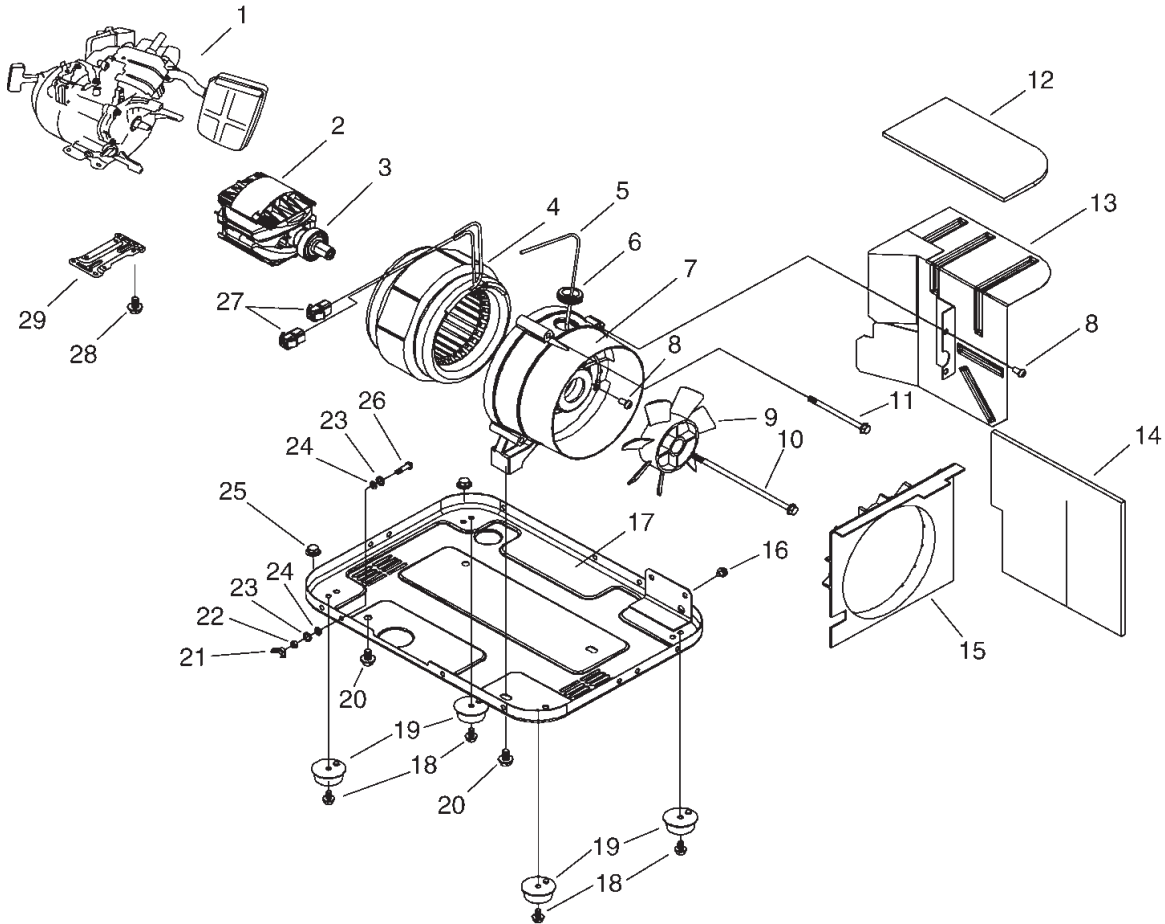
Problem	Cause	Correction
Engine is running, but no AC or DC output is available.	<ol style="list-style-type: none"> 1. One of the circuit breakers is open. 2. Fault in generator. 3. Poor connection or defective cord set. 4. Connected device is bad. 	<ol style="list-style-type: none"> 1. Reset circuit breaker. 2. Contact Snapper service facility. 3. Check and repair. 4. Connect another device that is in good condition.
Engine runs good at no-load but "bogs down" when loads are connected.	<ol style="list-style-type: none"> 1. Short circuit in a connected load. 2. Engine speed is too slow. 3. Generator is overloaded. 4. Shorted generator circuit. 	<ol style="list-style-type: none"> 1. Disconnect shorted electrical load. 2. Contact Snapper service facility. 3. See "Don't Overload the Generator" on page 9. 4. Contact Snapper service facility.
Engine will not start; or starts and runs rough.	<ol style="list-style-type: none"> 1. Engine switch set to "Off". 2. Dirty air cleaner. 3. Out of gasoline. 4. Stale gasoline. 5. Spark plug wire not connected to spark plug. 6. Bad spark plug. 7. Water in gasoline. 8. Overchoked or flooded. 9. Excessively rich fuel mixture. 10. Intake valve stuck open or closed. 11. Engine has lost compression. 	<ol style="list-style-type: none"> 1. Set switch to "On". 2. Clean or replace air cleaner. 3. Fill fuel tank. 4. Drain gas tank and carburetor; fill with fresh fuel. 5. Connect wire to spark plug. 6. Replace spark plug. 7. Drain gas tank and carburetor; fill with fresh fuel. 8. Wait 5 minutes and re- crank engine. 9. Contact Snapper service facility. 10. Contact Snapper service facility. 11. Contact Snapper service facility.
Engine shuts down when running.	<ol style="list-style-type: none"> 1. Out of gasoline. 2. Low oil level. 	<ol style="list-style-type: none"> 1. Fill fuel tank. 2. Fill crankcase to proper level.
Engine lacks power.	<ol style="list-style-type: none"> 1. Load is too high. 2. Dirty air filter. 	<ol style="list-style-type: none"> 1. See "Don't Overload the Generator" on page 9. 2. Replace air filter.
Engine "hunts" or falters.	Carburetor is running too rich or too lean.	Contact Snapper service facility.

WIRING DIAGRAM

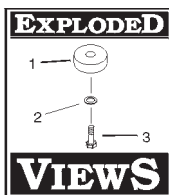




EXPLODED VIEW AND PARTS LIST – MAIN UNIT



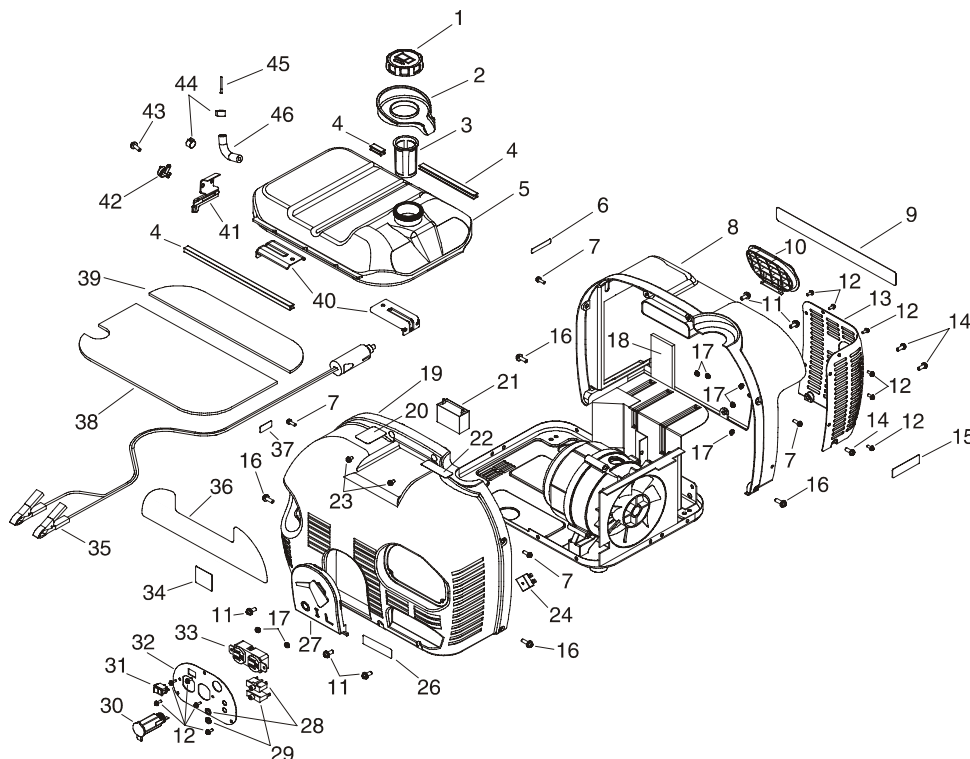
Item	Part #	Qty	Description	Item	Part #	Qty	Description
1	NSP	1	ENG, MITSUB, 2.4HP	16	187392GS	2	PHMS, M6-1.0, W/L/FW
2	187378GS	1	ROTOR	17	187383GS	1	BASE, GEN
3	187411GS	1	BRG	18	187390GS	4	BOLT, FLNG, M6-1.0 X 10
4	187379GS	1	STATOR	19	187385GS	4	MNT, VIBR
5	187430GS	1	LEAD, GREEN	20	187427GS	4	HHCS, FLNG, M8-1.25 X 12
6	187409GS	1	BUSHING, LEAD WIRE, G790B	21	187424GS	1	NUT, WING, M5 X 0.8
7	187381GS	1	RBC, IK	22	187423GS	1	NUT, M5 X 0.8
8	187399GS	3	SCREW, SELF TAP, M6-12	23	187419GS	2	WSHR, LOCK
9	187382GS	1	FAN, COOLING	24	187420GS	2	WSHR, FLAT
10	187388GS	1	BOLT, RTR	25	187401GS	2	NUT, M8-1.25, FLANGE
11	187389GS	3	BOLT, STATOR	26	187415GS	1	PHMS, M5-0.8 X 20
12	187405GS	1	INSLTN, HEAT SEALED, #1	27	187413GS	2	CNNCTR
13	187384GS	1	MFFLR, SEALED	28	187434GS	4	HHCS, FLNG
14	187407GS	1	INSLTN, HEAT SEALED, #2	29	187431GS	1	STND, ENG
15	187403GS	1	DUCT, AIR				



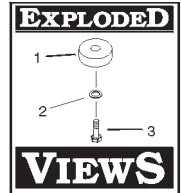
Snapper G1000 Generator



EXPLODED VIEW AND PARTS LIST – MAIN UNIT

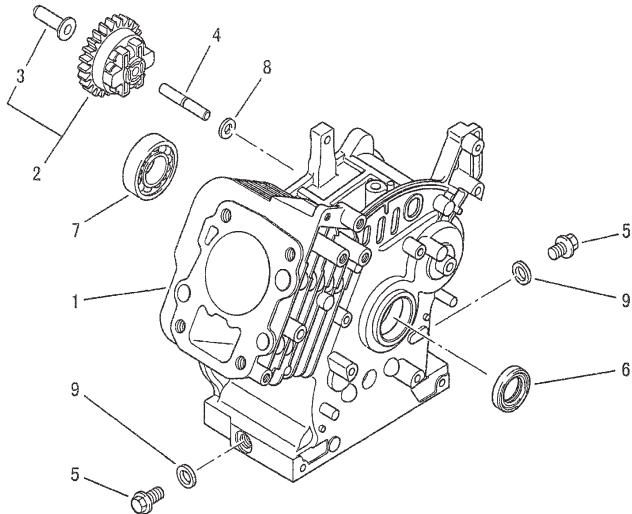


Item	Part #	Qty	Description	Item	Part #	Qty	Description
1	187436GS	1	CAP, FUEL	24	187462GS	1	DIODE, BRIDGE
2	187439GS	1	PACKING, TANK	26	190201GS	1	DECAL, GEN, SNAPPER
3	187438GS	1	FLTR, FUEL	27	187773GS	1	COVER, OIL FILL
4	187769GS	3	U-PACKING	28	187460GS	1	CB, DC
5	187437GS	1	TANK, FUEL, 4.5L	29	187454GS	1	CB, 8A, 125V
6	187766GS	1	DECAL, CHOKE	30	187873GS	1	OUTLET, ACCESSORY DC
7	187756GS	4	BOLT, COVER (M5-16)	31	187450GS	1	SWITCH, ENG, ON/OFF
8	187875GS	1	HSG, GEN, MFFLR	32	187812GS	1	CPNL
9	190200GS	1	DECAL, WARNING	33	187456GS	1	RECPTCL, 15A, 125V
10	187772GS	1	COVER, SPARK PLUG	34	187763GS	1	DECAL, CAUTION OIL
11	187757GS	5	BOLT, COVER (M6-16)	35	187876GS	1	CABLE, BATTERY CHARGE
12	187760GS	11	PHMS, M4-12 W/FW	36	190089GS	1	DECAL, MODEL
13	187435GS	1	CVR, MFFLR, GEN	37	187764GS	1	DECAL, FUEL SHUTOFF
14	187775GS	3	BOLT, MFFLR CVR (M6-16)	38	187447GS	1	INSLTN, HTSHLD, TANK #1
15	187768GS	1	DECAL CAUTION HOT	39	187448GS	1	INSLTN, HTSHLD, TANK #2
16	187774GS	4	BOLT, COVER (M6-20)	40	187442GS	2	BRKT, TANK, FUEL
17	187761GS	8	NUT, M4X0.6 W/FW	41	187758GS	1	BRKT, FUEL COCK
18	187463GS	1	INSLTN, MFFLR	42	187443GS	1	COCK, FUEL
19	187874GS	1	HSG, GEN	43	187770GS	1	PHMS, M5-10 W/FW
20	NSP	1	DECAL, EMISSIONS	44	187579GS	1	CLIP, FUEL HOSE
21	187457GS	1	CONDENSER, 300V	45	187440GS	1	FLTR, FUEL
22	187765GS	1	DECAL, CAUTION FUEL	46	187578GS	1	HOSE, FUEL
23	187759GS	2	BOLT, COVER (M5-10)				

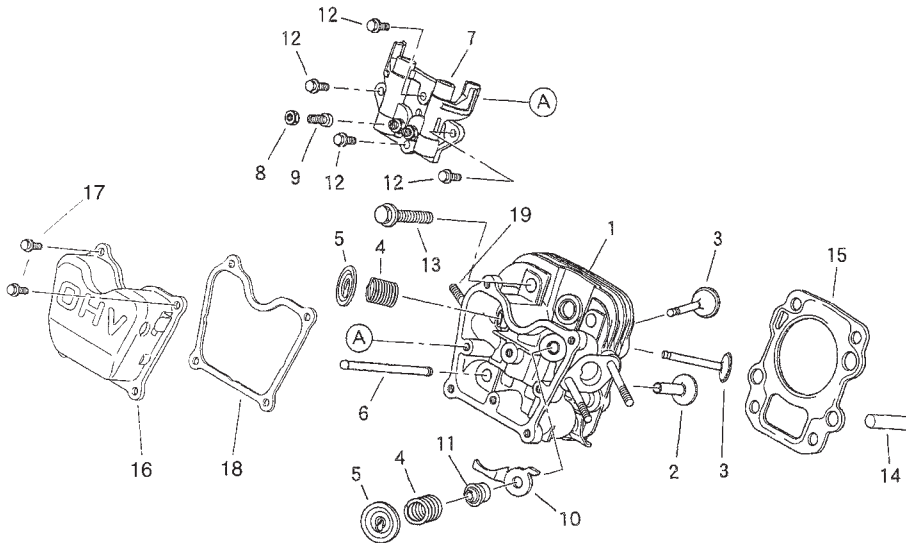


EXPLODED VIEW AND PARTS LIST – ENGINE

Cylinder Block, Cylinder Head

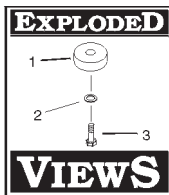


Item	Part #	Qty	Description
1	187380GS	1	BLOCK, CYL
2	187386GS	1	ASSY, GOV, GEAR
3	187387GS	1	SLIDER, GOV
4	187391GS	1	SHFT, GOV
5	187393GS	2	PLUG, DRAIN
6	187394GS	2	SEAL, OIL
7	187395GS	1	BRG, BALL
8	187400GS	1	WSHR, CYLBLOCK
9	187402GS	2	GSKT, CYLBLOCK



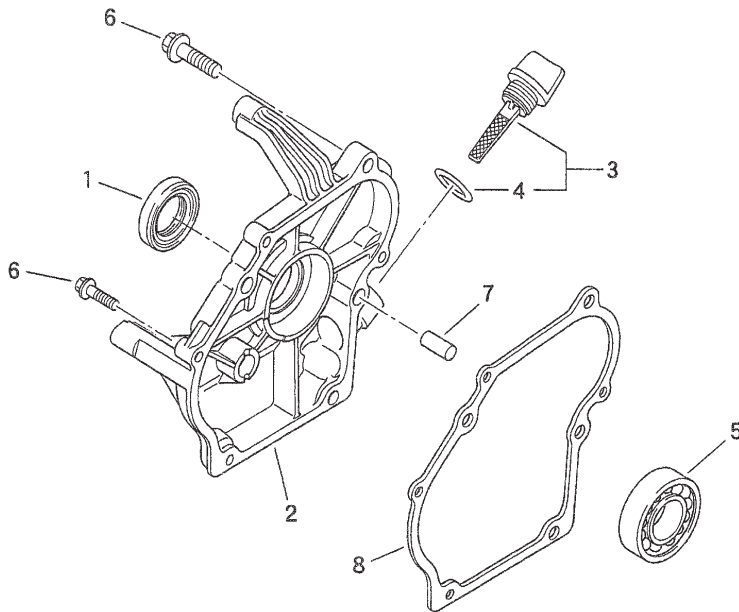
Item	Part #	Qty	Description
1	187404GS	1	ASSY, CYL HEAD
2	187406GS	2	TPPT, CYL HEAD
3	187408GS	2	VLV, EXH
4	187410GS	2	SPRNG, VLV
5	187412GS	2	RTNR, VLV SPG
6	187414GS	2	ROD, PUSH
7	187416GS	1	ASSY, RCKR, ARM
8	187417GS	2	NUT, CYL HEAD
9	187418GS	2	SCRW, ADJST
10	187421GS	1	PLT, CYL HEAD

Item	Part #	Qty	Description
11	187422GS	1	SEAL, VLV STEM
12	187423GS	4	NUT, M5 X 0.8
13	187426GS	4	BOLT, FLNG
14	187428GS	2	PIN, DWL
15	187429GS	1	GSKT, HEAD
16	187468GS	1	CVR, VALVE
17	187470GS	4	BOLT, VALVE CVR
18	187472GS	1	GSKT, VALVE CVR
19	187569GS	2	BOLT, STUD

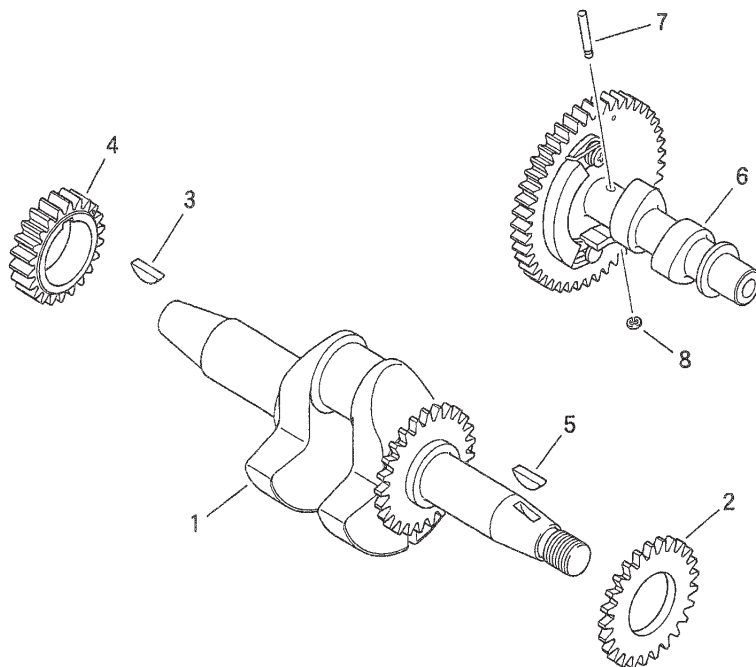


EXPLODED VIEW AND PARTS LIST – ENGINE

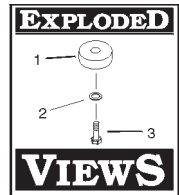
Crankcase Cover, Crankshaft/Camshaft



Item	Part #	Qty	Description
1	187394GS	2	SEAL, OIL
2	187473GS	1	CVR, CRANKCASE
3	187474GS	1	DIPSTICK, OIL
4	187475GS	1	O-RING, DIPSTICK
5	187477GS	1	BRG, PTO
6	187478GS	6	BOLT, CRANKCASE CVR
7	187428GS	2	PIN, DWL
8	187479GS	1	GSKT, CRANKCASE CVR

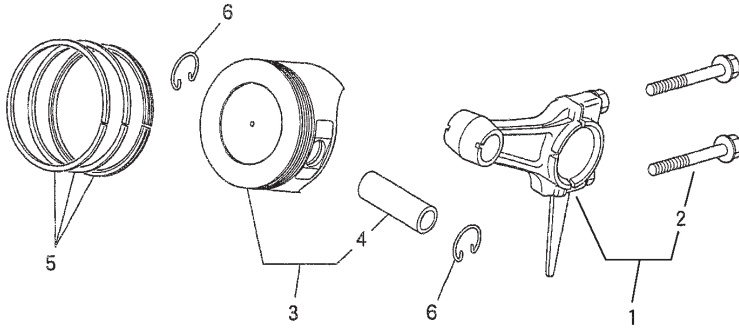


Item	Part #	Qty	Description
1	187481GS	1	ASSY, CRNKSHFT
2	187484GS	1	GEAR, CRNKSHFT
3	187486GS	2	KEY, WOODRFF
4	187487GS	1	GEAR, CRNKSHFT
5	187488GS	1	ASSY, CAMSHAFT
6	187489GS	1	PIN, CMPR REL
7	187490GS	1	RNG, SNP, CMPRSSN REL

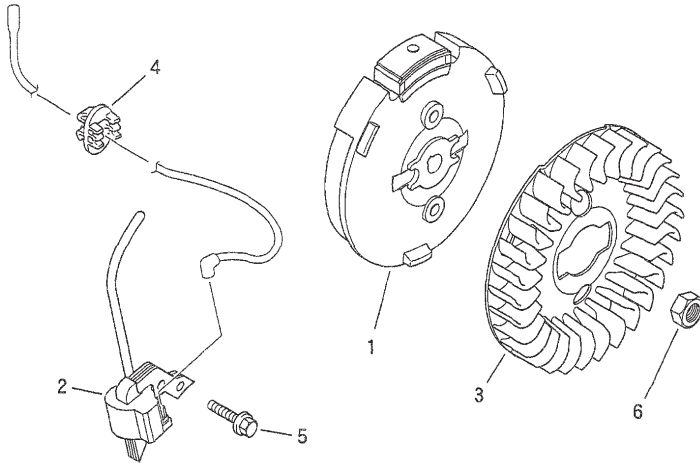


EXPLODED VIEW AND PARTS LIST – ENGINE

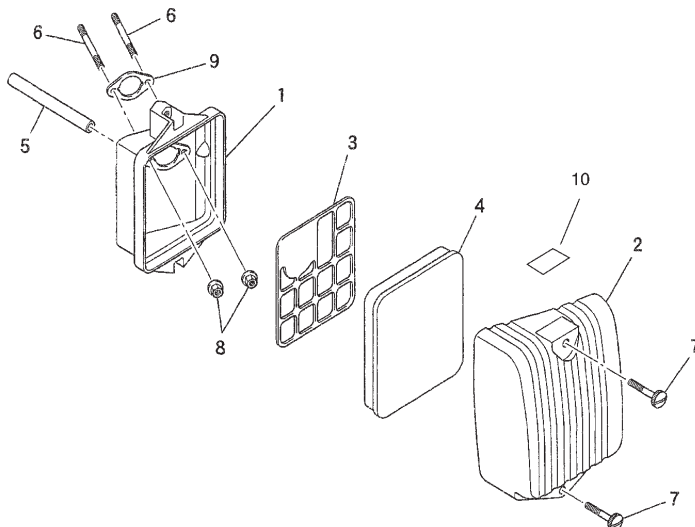
Piston/Rod, Magneto/Flywheel, Air Cleaner



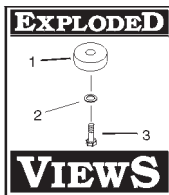
Item	Part #	Qty	Description
1	187526GS	1	ROD, CNNCTNG, STD
1	187527GS	1	ROD, CNNCTNG, US.25
1	187528GS	1	ROD, CNNCTNG, US.50
2	187529GS	2	BOLT, CNNCTNG ROD
3	187530GS	1	ASSY, PSTN, STD
3	187531GS	1	ASSY, PSTN, OS.25
3	187532GS	1	ASSY, PSTN, OS.50
4	187533GS	1	PIN, PISTON
5	187534GS	1	SET, RING, PSTN, STD
5	187535GS	1	SET, RING, PSTN, OS.25
5	187537GS	1	SET, RING, PSTN, OS.50
6	187539GS	2	CLIP, SPRING, PSTN PIN



Item	Part #	Qty	Description
1	187540GS	1	FLYWHL
2	187541GS	1	COIL, IGNITION
3	187543GS	1	FAN
4	187544GS	1	CLIP, MAGNETO
5	187545GS	2	BOLT, MAGNETO
6	187546GS	1	NUT

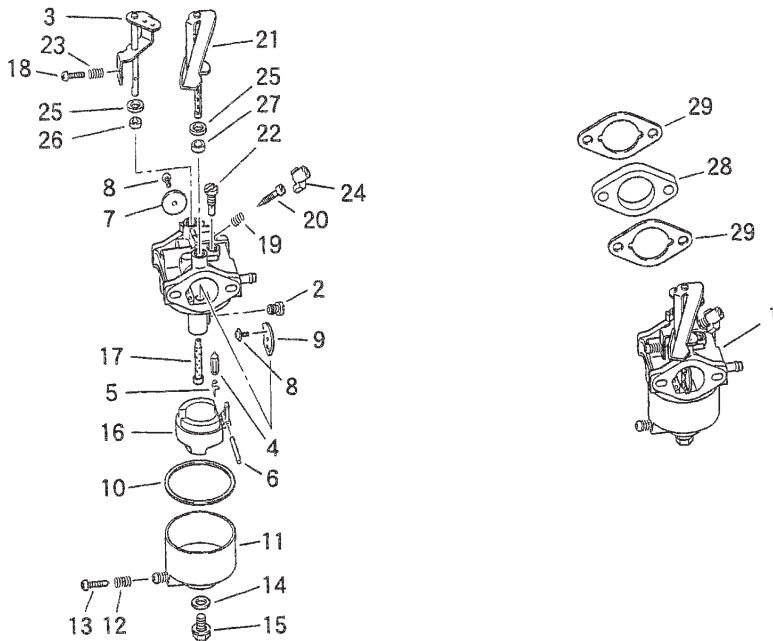


Item	Part #	Qty	Description
1	187492GS	1	HSNG, AIR CLNR
2	187494GS	1	CVR, AIR CLNR
3	187496GS	1	SPRT, AIR CLNR
4	187497GS	1	ELEMENT, AIR CLNR
5	187498GS	1	BRTHR, AIR CLNR
6	187500GS	2	STUD, AIR CLNR
7	187501GS	2	SCREW, AIR CLNR CVR
8	187503GS	2	NUT, AIR CLNR CVR
9	187504GS	1	GSKT, CARB
10	187576GS	1	DECAL, CHOKE

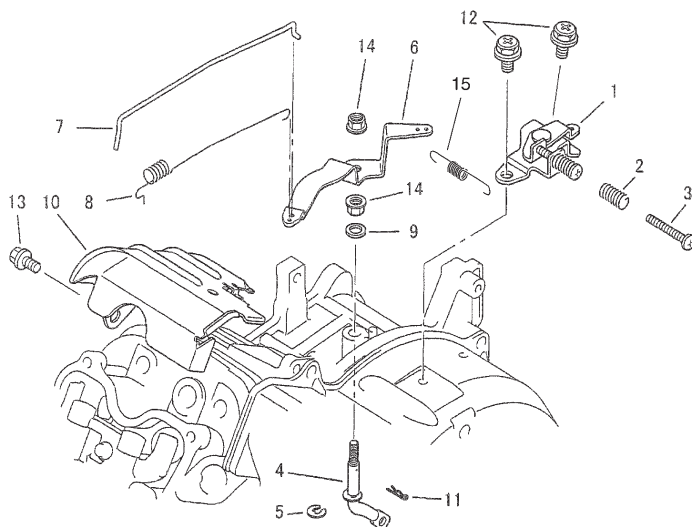


EXPLODED VIEW AND PARTS LIST – ENGINE

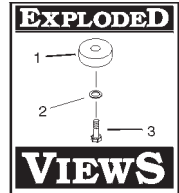
Carburetor, Control/Linkages



Item	Part #	Qty	Description
1	187469GS	1	CARB, COMPLETE
2	187471GS	1	JET, MAIN
3	187476GS	1	SHFT, THROTTL
4	187480GS	1	VLV, NEEDLE
5	187482GS	1	CLIP, CARB
6	187483GS	1	PIN, CARB
7	187485GS	1	VLV, THRTTL
8	187491GS	3	HHCS, CARB
9	187493GS	1	VLV, CHOKE
10	187495GS	1	GSKT, CARB
11	187499GS	1	CHMBR, FLOAT
12	187502GS	1	SPRING, CARB
13	187509GS	1	HHCS, CARB
14	187511GS	1	GSKT, CARB
15	187525GS	1	BOLT, CARB
16	187536GS	1	FLOAT, CARB
17	187538GS	1	NZZL, MAIN, CARB
18	187542GS	1	HHCS, CARB
19	187502GS	1	SPRING, CARB
20	187547GS	1	ADJSTR, CARB
21	187548GS	1	LEVER, CHOKE
22	187549GS	1	JET, PILOT
23	187550GS	1	SPRING, CARB
24	187551GS	1	CAP, CARB
25	187552GS	2	PACKING, CARB
26	187553GS	1	SEAL, CARB
27	187554GS	1	SEAL, CARB
28	187556GS	1	INSLTR, CARB
29	187504GS	2	GSKT, CARB

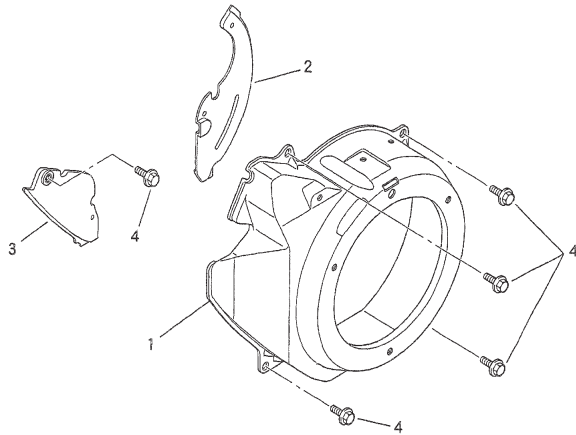


Item	Part #	Qty	Description
1	187505GS	1	BRKT, SPEED CNTRL
2	187506GS	1	SPRING, SPEED CNTRL
3	187507GS	1	SCREW, SPEED CNTRL
4	187508GS	1	SHFT, GOV
5	187510GS	1	RING, SNAP, GOV ROD
6	187512GS	1	LEVER, GOV
7	187513GS	1	ROD, GOV
8	187514GS	1	SPRING, GOV LEVER
9	187515GS	1	WSHR, GOV LEVER
10	187516GS	1	CVR, TOP
11	187517GS	1	CLIP, GOV ROD
12	187518GS	1	BOLT, SPEED CNTRL BKT
13	187519GS	1	BOLT, TOP CVR
14	187520GS	2	NUT, GOV LEVER
15	187570GS	1	SPRING, GOV

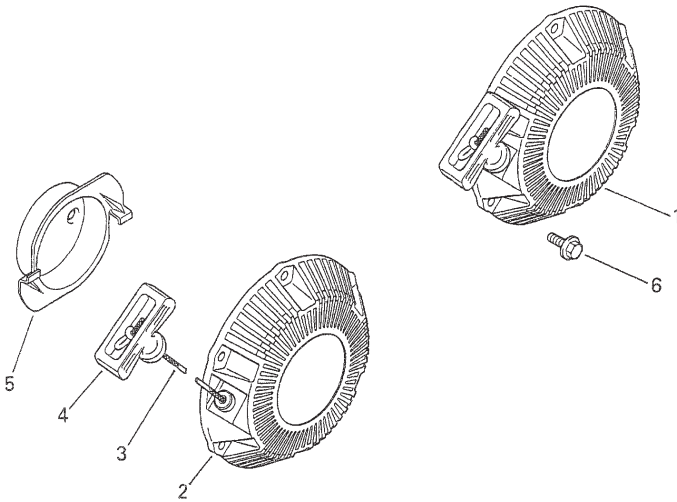


EXPLODED VIEW AND PARTS LIST – ENGINE

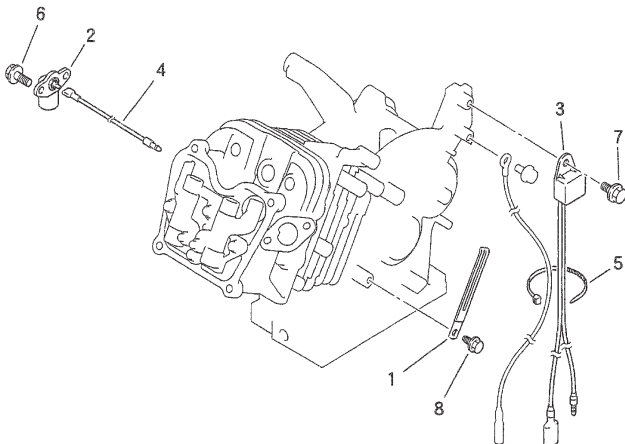
Fan Cover, Recoil Starter, Oil Sensor



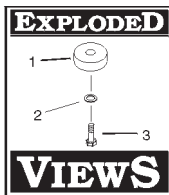
Item	Part #	Qty	Description
1	187521GS	1	CVR, FAN
2	187522GS	1	CVR, FAN
3	187523GS	1	CVR, FAN
4	187524GS	4	BOLT, FAN CVR



Item	Part #	Qty	Description
1	187557GS	1	ASSY, RECOIL, STRTR
2	187558GS	1	STRTR, RECOIL
3	187559GS	1	ROPE, RECOIL
4	187560GS	1	HNDL, RECOIL
5	187561GS	1	PULLEY, STRTR
6	187562GS	3	BOLT, FLNG

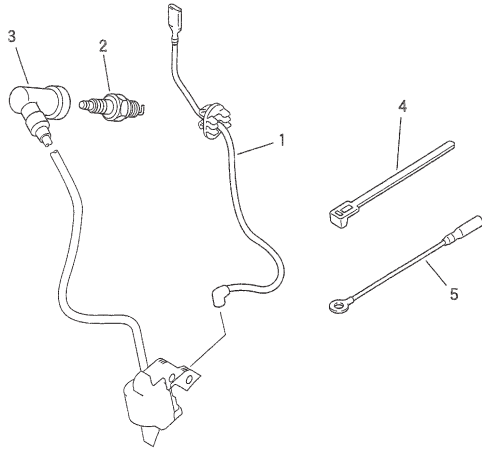


Item	Part #	Qty	Description
1	187563GS	1	CLAMP, OILSNSR
2	187564GS	1	SNSR, OIL
3	187565GS	1	UNIT, OILSNSR
4	187566GS	1	WIRE, LEAD
5	187567GS	1	BAND, OILSNSR
6	187470GS	2	BOLT, VALVE CVR
7	187524GS	1	BOLT, FAN CVR
8	187568GS	1	BOLT, FLNG

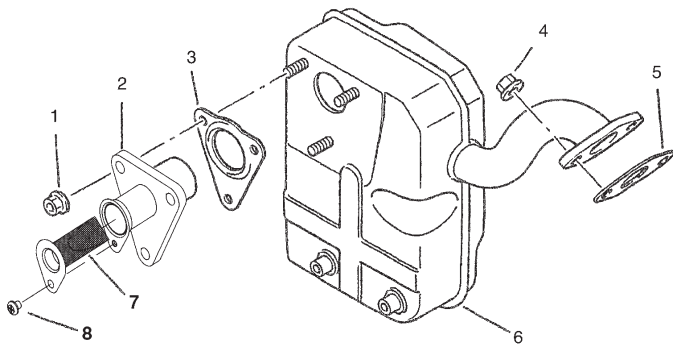


EXPLODED VIEW AND PARTS LIST – ENGINE

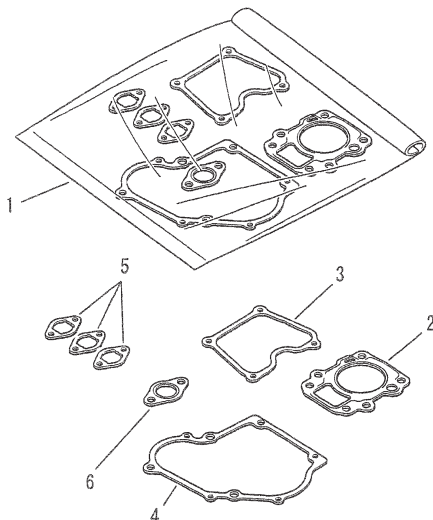
Lead Wires, Muffler, Gasket Set



Item	Part #	Qty	Description
1	187571GS	1	WIRE, LEAD
2	187572GS	1	PLUG, SPARK
3	187573GS	1	CAP, PLUG
4	187574GS	1	TIEWRAP, LEAD WIRE
5	187575GS	1	WIRE, LEAD



Item	Part #	Qty	Description
1	187449GS	3	NUT, FLNG
2	188261GS	1	PIPE, TAIL
3	187446GS	1	GSKT, MFFLR
4	187455GS	2	NUT, CONICAL
5	187451GS	1	GSKT, MFFLR
6	187444GS	1	MFFLR
7	188263GS	1	SCREEN, SPARK
8	188262GS	1	SCREW



Item	Part #	Qty	Description
1	187461GS	1	SET, GSKT (Includes items 2-6)
2	187429GS	1	GSKT, HEAD
3	187472GS	1	GSKT, VALVE CVR
4	187479GS	1	GSKT, CRANKCASE CVR
5	187504GS	3	GSKT, CARB
6	187451GS	1	GSKT, MFFLR



TABLA DE CONTENIDOS

Reglas De Seguridad	24-25
Conozca Su Generador	26
Ensamblaje	27
Funcionamiento	28-31
Especificaciones Del Producto / Mantenimiento	32-34
Almacenamiento	34-35
Diagnosticos De Averías	36
Digrama Eléctrico	15
Piezas De Recambio	16-23
Garantía Del Sistema De Control De Emisiones	38
Garantía	39

DESCRIPCIÓN DEL EQUIPO

Lea este manual de manera cuidadosa y familiarícese con su generador. Conozca sus usos, sus limitaciones y cualquier peligro relacionado con el mismo.

Este generador funciona en base a un motor, de campo eléctrico giratorio y de corriente alterna (AC). Fue diseñado con la finalidad de proveer energía eléctrica para luces eléctricas, aparatos, herramientas compatibles y cargas de motor. El campo giratorio del generador funciona a una velocidad de 3,6000 rpm usando un motor con un solo cilindro.

¡PRECAUCIÓN! No sobrepase la capacidad de vataje y amperaje del generador. Revise "No sobrecargue el Generador" en la página 31.

Se ha hecho cada esfuerzo posible para asegurarse que la información que aparece en este manual es exacta y se encuentra actualizada. Sin embargo, Generac se reserva el derecho a cambiar, alterar o de otra manera mejorar, el producto y este documento en cualquier momento, sin previo aviso.

El Sistema de Control de Emisiones para este generador está garantizado para juegos estándares por la Agencia de Protección Ambiental. Para mayor información acerca de la garantía, consulte con el manual del propietario del motor.

⚠	ADVERTENCIA	⚠
<p>El escape del motor de este producto contiene elementos químicos reconocidos en el Estado de California por producir cáncer, defectos de nacimiento u otros daños de tipo reproductivo.</p>		

INSTRUCCIONES DE SEGURIDAD

El símbolo de alerta de seguridad (⚠) es usado con una palabra (PELIGRO, ADVERTENCIA, PRECAUCIÓN), un mensaje por escrito o una ilustración, para alertarlo acerca de cualquier situación de peligro que pueda existir. **PELIGRO** indica un riesgo

el cual, si no se evita, *causará* la muerte o una herida grave.

ADVERTENCIA indica un riesgo el cual, si no se evita, *puede* causar la muerte o una herida grave. **PRECAUCIÓN** indica un riesgo, el cual, si no se evita, *puede* causar heridas menores o moderadas. **PRECAUCIÓN**, cuando se usa **sin** el símbolo de alerta, indica una situación que podría resultar en el daño del equipo. Siga los mensajes de seguridad para evitar o reducir los riesgos de heridas e inclusive la muerte.

⚠ PELIGRO	
	<p>Al generador funcionar, se produce monóxido de carbono, un gas inodoro y venenoso. El respirar el monóxido de carbono, producirá náusea, desmayo o la muerte.</p>
<ul style="list-style-type: none"> • Opere el generador SOLAMENTE al aire libre. • Mantenga al menos 2 pies de espacio libre alrededor del generador, para la adecuada ventilación. • No opere el generador dentro de un edificio o lugar cerrado, incluyendo el compartimiento del generador en un vehículo recreativo o RV. 	

⚠ ADVERTENCIA	
	<p>La gasolina y sus vapores son extremadamente inflamables y explosivos. El fuego o una explosión pueden causar quemaduras severas e inclusive la muerte.</p>
CUANDO AÑADA COMBUSTIBLE	
<ul style="list-style-type: none"> • Apague el generador (posición OFF) y déjelo enfriar al menos por 2 minutos antes de remover la tapa de la gasolina. Afloje la tapa lentamente para dejar que la presión salga del tanque. • Llene el tanque al aire libre. • No llene demasiado el tanque. Permita al menos espacio para la expansión del combustible. • Mantenga la gasolina alejada de chispas, llamas abiertas, pilotos, calor y otras fuentes de ignición. • No encienda un cigarrillo o fume. 	
CUANDO OPERE EL EQUIPO	
<ul style="list-style-type: none"> • No incline el motor o el equipo, de tal manera que la gasolina se pueda derramar. 	
CUANDO TRANSPORTE O REPARE EL EQUIPO	
<ul style="list-style-type: none"> • Transporte o repare el equipo con el tanque de combustible vacío, o con la válvula para apagar el combustible, apagada (posición OFF). • Desconecte el cable de la bujía. 	
CUANDO ALMACENE O GUARDE EL EQUIPO CON COMBUSTIBLE EN EL TANQUE	
<ul style="list-style-type: none"> • Almacene alejado de calderas, estufas, calentadores de agua, secadoras de ropa u otros aparatos electrodomésticos que posean pilotos u otras fuentes de ignición, porque ellos pueden encender los vapores de la gasolina. 	



⚠️ ADVERTENCIA



Los generadores producen un voltaje muy poderoso. Si no hace tierra apropiadamente con un generador, puede hacer que ocurra un electrocutamiento. Si no aísla el generador de utilidades de energía, puede hacer que los trabajadores de electricidad sufran heridas graves e inclusive la muerte, debido a la retroalimentación de la energía eléctrica.

- Cuando use un generador como poder de energía auxiliar, notifique a la compañía de utilidades. Use el equipo de transferencia aprobado para aislar el generador de otra utilidad eléctrica.
- Los Códigos Nacionales para la Electricidad, requieren que los generadores estén haciendo tierra de una manera aprobada. Llame a un electricista para conocer los requisitos locales para hacer tierra.
- Use un interruptor para la falla del circuito de tierra (GFCI) en cualquier área bastante húmeda o que sea altamente conductiva, tales como terrazas de metal o trabajo hecho con acero.
- No toque los alambres pelados o receptáculos.
- No use un generador con cables eléctricos que estén malgastados, rotos, pelados o dañados de cualquier forma.
- No opere el generador bajo la lluvia.
- No maneje el generador o cables eléctricos mientras esté parado en agua, descalzo o cuando las manos y los pies estén mojados.
- No permita que personas descalificadas o niños operen o sirvan al generador.

⚠️ ADVERTENCIA



Los motores al funcionar producen calor. La temperatura del silenciador y de las áreas cercanas puede alcanzar o pasar los 150°F (65°C). Quemaduras severas pueden ocurrir al hacer contacto.

- No toque las superficies calientes.
- Permita que el equipo se enfríe antes de tocarlo.

⚠️ PRECAUCIÓN

Las velocidades de operación en exceso, aumentan los riesgos de heridas y daños al generador.

Las velocidades bajas en exceso, imponen una carga muy pesada.

- No cambie ninguna velocidad determinada. El generador suministra una frecuencia y un voltaje calificado cuando funciona a una velocidad determinada.
- No modifique al generador en ninguna forma.

⚠️ PRECAUCIÓN

El sobrepasar la capacidad del amperaje y vataje del generador, puede dañar al generador y los aparatos eléctricos conectados al mismo.

- Vea "No sobrecargue su generador" en la página 31.
- Encienda su generador y deje que el motor se estabilice antes de conectar las cargas eléctricas.
- Conecte las cargas eléctricas en la posición de apagado (OFF), luego encienda (ON) para su operación.
- Apague (OFF) las cargas eléctricas y desconéctelas del generador antes de parar el generador.

⚠️ PELIGRO



Las baterías almacenadas producen hidrógeno explosivo mientras estén siendo recargadas. El hidrógeno puede permanecer cerca de la batería por un periodo largo de tiempo, después que la batería haya sido recargada.

Una pequeña chispa puede encender el hidrógeno y causar una explosión.

Usted puede quedar ciego o sufrir heridas muy graves.



El fluido de electrolito de la batería contiene ácido y es extremadamente cáustico.

El contacto con el fluido de la batería puede causar quemaduras químicas severas.

- No permita ninguna llama abierta, chispa, calor, o encienda un cigarrillo durante y por varios minutos después de haber recargado la batería.
- Lleve puestos las gafas protectoras, delantal y guantes de goma.

⚠️ PRECAUCIÓN

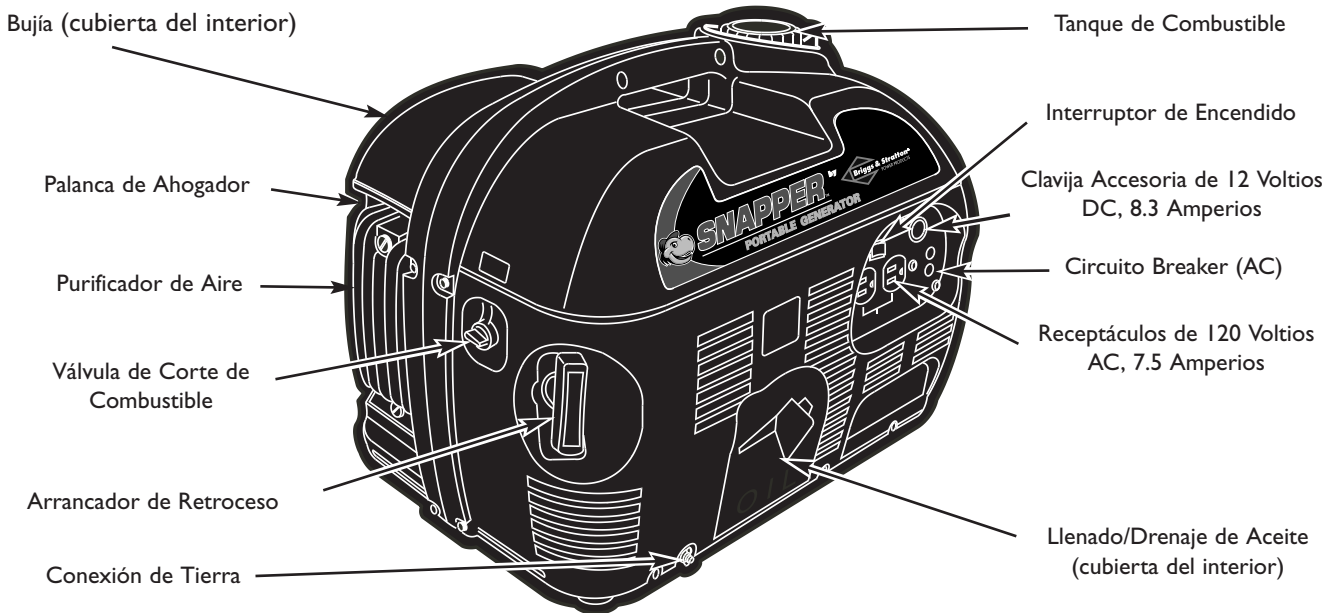
El tratamiento inadecuado del generador puede dañarlo y acortar su vida productiva.

- Use el generador solamente con la finalidad para el cual fue diseñado.
- Si usted tiene alguna pregunta acerca de las finalidades de uso del generador, pregúntele a su concesionario o contacte a Snapper.
- Opere el generador solamente en superficies niveladas.
- No exponga al generador a una humedad excesiva, polvo, suciedad o vapores corrosivos.
- No inserte cualquier objeto a través de las ranuras de enfriamiento.
- Si los aparatos conectados se sobrecalientan, apáguelos y desconéctelos del generador.
- Apague el generador si:
 - Se pierde la salida eléctrica;
 - El equipo produce chispas, humo o emite llamas;
 - La unidad vibra de una manera excesiva.

CONOZCA SU GENERADOR

Lea este manual del propietario y las reglas de seguridad antes de operar su generador.

Compare las ilustraciones con su generador para familiarizarse con la ubicación de los diferentes controles y ajustes. Conserve este manual para referencias futuras.



Arrancador de Retroceso — Usado para encender el motor.

Bujía — Acceso al enchufe de la bujía.

Circuito Breaker (AC) — Se proporcionan receptáculos con un circuito breaker de re-encendido a presión para proteger el generador en contra de sobrecarga eléctrica.

Clavija Accesorio de 12 Voltios DC, 8.3 Amperios — Puede utilizarse para proporcionar energía a dispositivos eléctricos o para recargar baterías de 12 Volts DC.

Conexión de Tierra — Utilice esta conexión para conectar a tierra de forma correcta el generador. Vea la sección “Conexión a Tierra el Generador” en la página 28.

Interruptor de Encendido (APAGADO/ENCENDIDO) — Utilizado para detener un motor en funcionamiento.

Llenado/Drenaje de Aceite — Acceso a la varilla de relleno de aceite y a la tapa de drenaje de aceite.

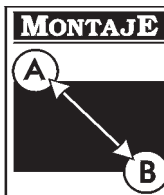
Palanca de Ahogador — Utilizada para proporcionar de manera manual la mezcla de arranque adecuada cuando el motor se encuentra frío.

Purificador de Aire — Utiliza un elemento de espuma para limitar la cantidad de mugre y polvo que entra en el motor.

Receptáculos de 120 Voltios AC, 7.5 Amperios — Pueden ser utilizados para proporcionar energía eléctrica para la operación de cargas eléctricas de alumbrado, de aparatos y de herramientas de 120 Voltios AC, de una fase, a 60 Herzios.

Tanque de Combustible — Tiene una capacidad de 1.2 galones (4.5 litros) de combustible.

Válvula de Corte de Combustible — Use esta válvula para iniciar o detener el suministro de combustible.



CONTENIDO DEL EMPAQUE

Si cualquiera de las partes no están presente o se encuentran dañadas, llame a la línea de ayuda del generador al **1-800-270-1408**.

Verifique el contenido contra la lista de artículos detallados a continuación:

- Unidad principal
- Manual del propietario
- Cable para recargar la batería

ANTES DE DARLE ARRANQUE AL GENERADOR

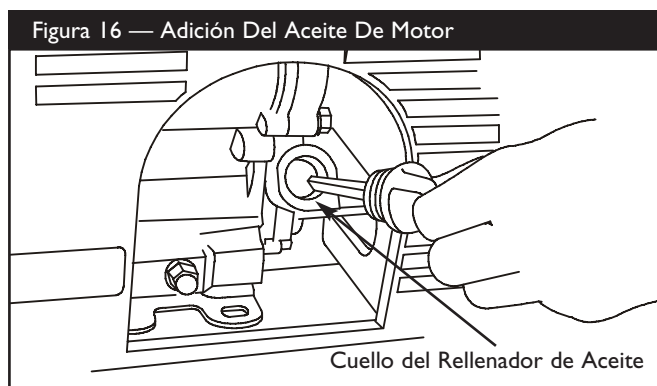
Añadir Aceite de Motor

NOTA: Cuando agregue aceite al compartimiento del motor en el futuro, utilice únicamente aceite detergente de alta calidad reconocido con la clasificación API de servicio SF, SG/CC, CD. Si su temperatura operadora esperada es abajo 32°F (0°C), el uso SAE 10W-30. De otro modo uso SAE 30.

SAE 10W-30 es el recomendado para uso general bajo todas las temperaturas. Este aceite de multi-viscosidad mejorará el arranque en climas fríos, pero provocará un incremento en el consumo de aceite. Verifique el nivel de aceite del motor con mayor frecuencia para evitar posibles daños ocasionados por el funcionamiento del motor con aceite insuficiente.

Para Añadir Aceite al Motor:

- Coloque el generador sobre una superficie nivelada.
- Quite la cubierta de relleno de aceite.
- Remueva la tapa del rellenador de aceite y limpie la varilla (Figura 16).



- Si el nivel de aceite no se encuentra en el punto de desbordamiento del cuello del rellenador de aceite, llene lentamente el motor con el aceite recomendado.
- Reinstale la tapa del rellenador de aceite y sujételo de forma segura.
- Reemplace la cubierta de relleno de aceite.
- Verifique el nivel de aceite del motor antes de arrancarlo en cada ocasión de ahora en adelante.

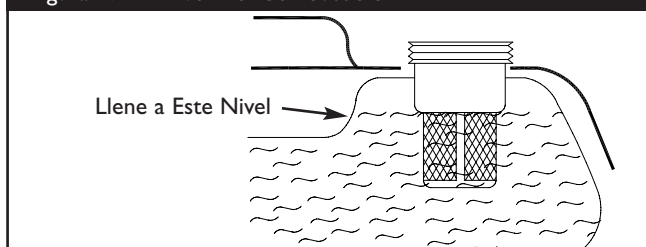
Añadir Gasolina

¡ADVERTENCIA! Nunca llene el tanque de combustible en interiores. **Nunca** llene tampoco el tanque de combustible mientras el motor se encuentre funcionando o cuando esté caliente. **No** encienda un cigarrillo ni fume cuando esté llenando el tanque de combustible.

¡PRECAUCIÓN! No sobrellene el tanque de combustible. Siempre deje espacio para la expansión.

- Use gasolina SIN PLOMO limpia y fresca con una octanaje de bombeo de 86-90. **No** utilice gasolina premium o con plomo. **No** mezcle el aceite con la gasolina.
- Limpie el área alrededor de la tapa de llenado de combustible, quite la tapa.
- Verifique el nivel de combustible.
- Si el nivel de combustible es bajo, añada lentamente la gasolina recomendada al tanque de combustible, hasta el borde del filtro de combustible (Figura 17). Tenga cuidado de no sobrellenarlo (no debe haber combustible en el cuello del rellenador).

Figura 17 — Nivel Del Combustible



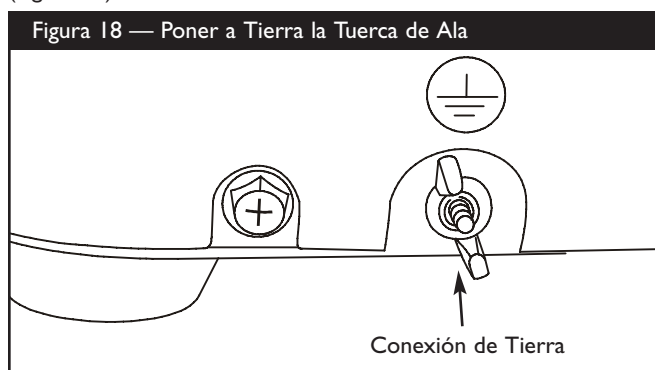
NOTA: Ocasionalmente limpie el filtro de combustible de cualquier mugre, óxido u otra materia en forma de partículas.

- Instale la tapa del combustible y limpie cualquier gasolina derramada.

De manera ocasional usted podrá escuchar un ligero "golpe de bujía" o "silbido" (ruido de golpeteo metálico) mientras opera bajo cargas pesadas. No es motivo para preocuparse. Si ocurre un golpe de bujía o se oye un silbido a una velocidad estable del motor bajo carga normal, cambie la marca de la gasolina. Si persiste el silbido o el golpe de bujía, consulte a su centro de reparaciones.

CONEXION A TIERRA DEL GENERADOR

El Código Eléctrico Nacional exige que el bastidor y las partes externas conductoras de electricidad del generador se encuentren conectadas adecuadamente a una tierra física aprobada. Los códigos eléctricos locales también podrían exigir la conexión a tierra de la unidad. Para tal propósito, se ha suministrado una tuerca mariposa para conexión a tierra en la base del armazón (Figura 18).



Por lo general, la conexión de un alambre de cobre trenzado No. 12 AWG (American Wire Gauge) a la aleta y a una barra de conexión a tierra de cobre o bronce (electrodo) proporciona una protección adecuada contra las descargas eléctricas. Sin embargo, los códigos locales pueden variar substancialmente. Consulte con un electricista local para conocer los requisitos de conexión a tierra de su área.

La conexión a tierra adecuada del generador ayudará a evitar las descargas eléctricas en el caso de que exista una condición de falla a tierra en el generador o en los dispositivos eléctricos conectados. La conexión a tierra adecuada también ayuda a disipar la electricidad estática, la cual se acumula frecuentemente en dispositivos no conectados a tierra.

CÓMO UTILIZAR SU GENERADOR

¡PRECAUCIÓN! Nunca inicie o detenga el motor cuando haya dispositivos eléctricos conectados a los receptáculos y que estén encendidos.

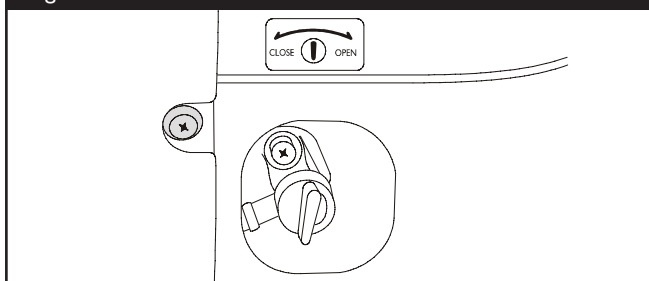
Para Arrancar el Motor

Desconecte todas las cargas eléctricas de los receptáculos del generador antes de encender el motor. Use las instrucciones siguientes del comienzo:

- Asegúrese de que el cable de la bujía se encuentre conectado a la bujía.

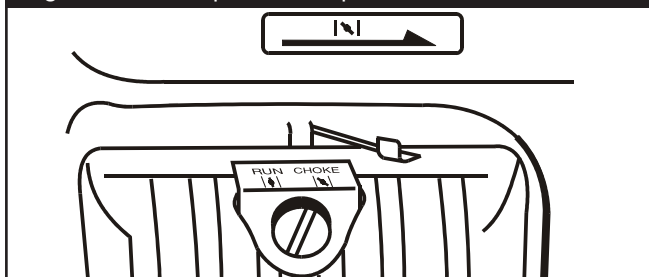
- Gire la válvula de combustible a la posición “Open” (“ABIERTO”) (completamente en la dirección de las manecillas del reloj) (Figura 19).

Figura 19 — Válvula del Combustible en la Posición Abierta



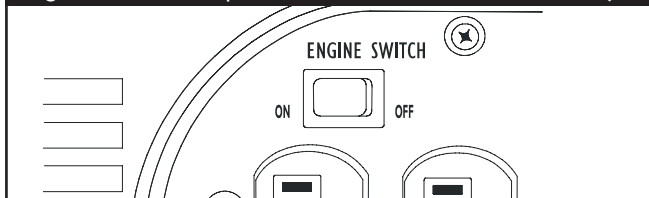
- Deslice el nivel del ahogador a la posición “Choke” (“Estrangulación”) (por completo hacia la derecha) (Figura 20).

Figura 20 — Coloque el Interruptor del Motor



- Coloque el interruptor del motor en la posición “On” (ENCENDIDO) (Figura 21).

Figura 21 — Interruptor del Motor en la Posición de Trabajo



- Sujete la manija y jale lentamente la cuerda hasta que sienta algo de resistencia; entonces jale la cuerda hacia fuera con un jalón completo de su brazo. Permita que la cuerda regrese lentamente. **No** deje que la cuerda “chicotée de regreso” en contra de la unidad.

NOTA: Si el motor arranca después de tres accionamientos, pero sólo funciona por 10 segundos, revise el nivel de aceite del motor en la caja del cigüeñal (cárter). Esta unidad está equipada con un Aceite Sistema Alerta (vea página 29).

- Deslice el nivel del ahogador a la posición “Run” mientras el motor se calienta.

NOTA: Bajo condiciones sin carga, la velocidad del motor puede variar ligeramente más rápido o más lento hasta que la temperatura del motor se estabilice.



¡PRECAUCIÓN! ¡Peligro al respirar! **Nunca** haga funcionar el motor en áreas con ventilación deficiente. El escape contiene monóxido de carbono, un gas inodoro y mortal.

Conexion de Cargas Electricas

- Deje que el motor se estabilice y se caliente por unos minutos después del arranque.
- **No** conecte cargas de 240 Voltios a los tomacorrientes de 120 Voltios.
- **No** conecte cargas trifásicas a los tomacorrientes.
- **No** conecte cargas de 50 Hertzios al generador.
- Enchufe y encienda las cargas eléctricas AC de 120 Voltios, monofásicas de 60 Hertzios deseadas.
- **NO SOBRECARGUE EL GENERADOR.** Sume los vatios asignados (o amperios) de todas las cargas que se van a conectar al mismo tiempo. Este total no debe ser mayor que la capacidad del vatiaje/amperaje nominal del generador. Vea "No Sobrecargue el Generador" en la página 31.

Detener el Motor

- Desconecte todas las cargas eléctricas de la unidad. **Nunca** arranque o detenga el motor con dispositivos eléctricos conectados a él y encendidos.
- Permita que el motor funcione sin carga durante dos minutos para estabilizar las temperaturas internas de la unidad.
- Mueva el interruptor del motor a la posición "Off" (apagado).
- Gire la válvula a la posición "Close" ("CERRADA") (totalmente en contra del sentido de las manecillas del reloj).

NOTA: En una emergencia, detenga el motor moviendo el interruptor del motor a la posición "Off".

Aceite Sistema Alerta

El Aceite Sistema Alerta es diseñado a previene el daño de motor causado por una cantidad insuficiente de aceite en el cárter. Antes el nivel de aceite en el cárter puede la caída debajo de un límite seguro, el Aceite Sistema Alerta hace cerró automáticamente el motor (el interruptor de motor hace permanece en el "On" la posición).

Si el Aceite Sistema Alerta causa que el motor para cierre, agrega motor aceite.

Procedimiento de Carga de la Bateria



¡ADVERTENCIA! Las baterías de acumuladores producen gas explosivo cuando son cargadas, el cual permanece alrededor de la batería por un período de tiempo prolongado después de haber sido cargada. La chispa más pequeña podría encender el combustible y causar una explosión que puede destruir la batería, causar ceguera y otras lesiones serias.



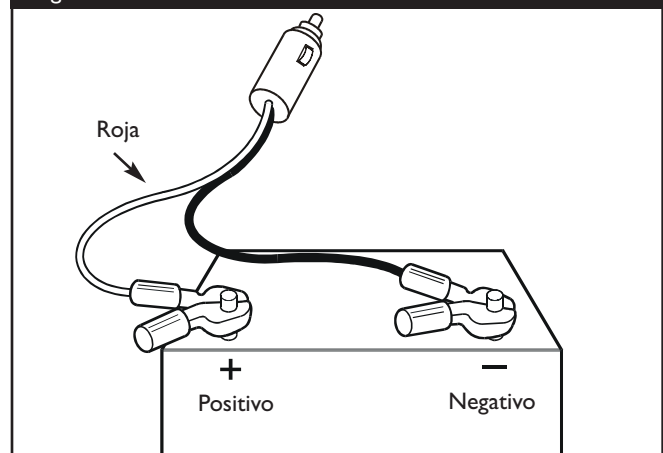
¡ADVERTENCIA! No permita que se fume, llamas abiertas, chispas o cualquier otra fuente de calor alrededor de la batería. **No** utilice un encendedor o cualquier clase de llama para revisar los niveles del líquido de la batería. Use anteojos de protección, delantal de caucho y guantes de caucho cuando trabaje alrededor de la batería. El líquido electrolito de la batería es una solución de ácido sulfúrico cáustico, la cual puede causar quemaduras severas. **No** permita que el líquido entre en contacto con los ojos, piel, ropa, etc. Si ocurren derrames, limpie inmediatamente el área con agua limpia.

Su generador tiene la capacidad de recargar baterías descargadas de acumuladores tipo servicio o automotriz de 12 Voltios. **No** utilice la unidad para cargar baterías de 6 Voltios. **No** use la unidad para mover motores que tengan la batería descargada.

Para recargar baterías de 12 Voltios, lleve a cabo los siguientes procedimientos:

- Limpie los terminales de la batería si es necesario.
- Revise el nivel del líquido en todas las celdas de la batería. Si es necesario, añada agua destilada **UNICAMENTE** hasta cubrir los separadores de las celdas de la batería. **No use agua de grifo.**
- Si la batería está equipada con tapas de desfogue, asegúrese de que están instaladas y apretadas.
- Conecte el enchufe conector del cable de carga de la batería al tomacorrientes del panel.
- Conecte el sujetador del cable de carga de la batería que tiene la manija **roja** al terminal o borne de la batería marcado con el signo **POSITIVO, POS** o (+) (Figura 22).

Figura 22 — Conexiones De la Bateria



- Conecte el sujetador del cable de carga de la batería que tiene la manija **negra** al terminal o borne de la batería marcado con el signo **NEGATIVO, NEG** o (-) (Figura 22).



- Arranque el motor. Deje que el motor funcione mientras la batería se recarga.
- Cuando la batería haya cargado, apague el motor (vea “Parado del Motor” a continuación).

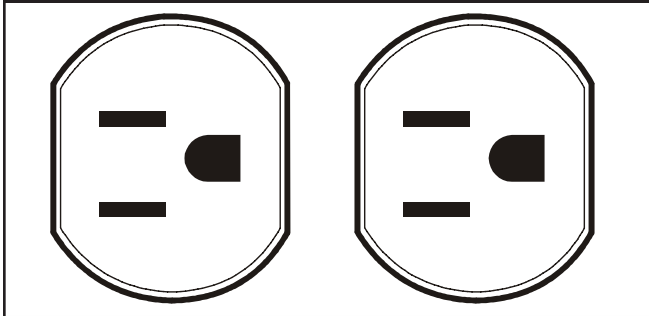
NOTA: Use un hidrómetro para automóviles para probar el estado de carga y condición de la batería. Siga cuidadosamente las instrucciones del fabricante del hidrómetro. Por lo general, se considera que una batería está en un estado de carga del 100% cuando la gravedad específica de su líquido (medida por el hidrómetro) es de 1.260 o más.

ENCHUFES DE CONEXIÓN

Receptáculo de 120 Voltios AC

Cada enchufe está protegido contra una sobrecarga por un circuito breaker de re-encendido a presión de 7.5 Amperios. Utilice cada receptáculo para operar cargas eléctricas de 120 Voltios, de una fase, 60 Herzios, que requieran hasta 1,000 watts (1.0kW) de energía (Figura 23).

Figura 23 — CA De 120 Voltios, Receptáculo A dos caras De 15 Amperios

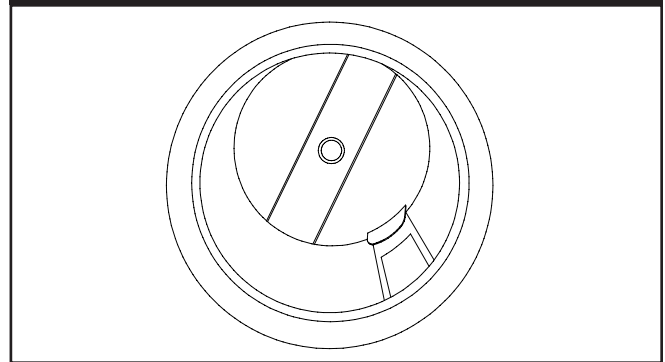


¡PRECAUCIÓN! Aunque cada receptáculo está preparado para soportar 120 Voltios a 15 Amperios (1,440 watts o 1.44 kW), el generador está listo para aguantar un total de 1,000 watts. Las cargas de energía que excedan la capacidad de wataje del generador, pueden dañarlo o provocar heridas graves a las personas alrededor. El total de cargas proporcionadas por estos receptáculos no deberían exceder los 7.5 Amperios.

Clavija Accesorio de 12 Voltios DC, 8.3 Amperios

Este receptáculo le permite recargar una batería de 12 Voltios automotriz o de almacenamiento estilo suministro eléctrico, con el cable de batería que se proporciona. Las bombas de aire estilo campamento, linternas, ventiladores u otros dispositivos de 12 Voltios que posean un enchufe estilo encendedor de cigarrillos, también pueden ser cargadas por este enchufe (Figura 24).

Figura 24 — Accesorio Gato De la Cc. De 12 Voltios



Este receptáculo no puede recargar las baterías de 6 Voltios y no puede ser utilizado tampoco para arrancar un motor que tenga la batería descargada. Consulte “Cargando una Batería” (página 29) antes de intentar recargar cualquier batería.

CABLES DE EXTENSIÓN

Utilice únicamente cables de extensión de alta calidad, aislados de forma apropiada, con los receptáculos eléctricos de 120 Voltios del generador. Verifique las capacidades de todos los cables de extensión antes de utilizarlos. Tales cables deben tener la capacidad de soportar cargas de 125 Voltios AC a 15 Amperios (o superiores) para la mayoría de aparatos eléctricos. Algunos dispositivos, sin embargo, quizás no requieran este tipo de cable de extensión. Verifique los manuales del propietario de dichos aparatos para conocer sus recomendaciones al respecto.

Conserve los cables de extensión tan cortos como sea posible, preferiblemente a una longitud menor de 15 pies, para prevenir una baja del voltaje y un posible sobrecalentamiento de alambres.



NO SOBRECARGUE EL GENERADOR

Capacidad

Usted debe asegurarse que su generador puede proveer el suficiente vataje calificado (cuando esté funcionando) y de carga (al encender) para los aparatos a los cuales va a proveer la energía, al mismo tiempo. Siga estos pasos:

1. Seleccione los aparatos que recibirán la energía, al mismo tiempo.
2. Totalice los vatios calificados (cuando esté funcionando) de estos aparatos. Esta es la cantidad de energía que su generador debe producir para mantener esos aparatos funcionando adecuadamente. Vea la Figura 25.
3. Calcule la cantidad de vatios de carga (al encender) que usted necesitará. El vataje de carga es la cantidad mínima de electricidad, necesaria para encender herramientas o aparatos con motores eléctricos, tales como, sierras circulares o refrigeradores. Debido a que no todos los motores se encienden al mismo momento, el vataje total de carga se puede estimar al añadir solamente el(los) aparato(s) con el vataje adicional más alto, al total del vataje calificado, obtenido en el paso 2.

Ejemplo:

Herramienta o Aparato Eléctrico	Vatios Calificados (cuando esté funcionando)	Vatios Adicionales de Carga (al encender)
Aire Acondicionado de Ventana	1200	1800
Refrigerador	800	1600
Congelador industrial	500	500
Televisión	500	-
Luz (75 Vatios)	75	-
	Total = 3075 Vatios para funcionar	1800 (Vatios de Carga más alto)

Vataje Total Calificado (cuando esté funcionando) = 3075

Vataje de Carga Adicional más alto = 1800

Salida Total Requerida del Generador = 4875

Control de la Energía

Para prolongar la vida de su generador y los aparatos que estén conectados al mismo, es muy importante cuidarlo cuando se le añaden cargas eléctricas. Nada debería estar conectado a los tomacorrientes del generador antes de que su motor sea encendido. La forma correcta y más segura para controlar la energía del generador, es la de añadir en secuencias las cargas, como se describe a continuación:

1. Sin tener nada conectado al generador, encienda el motor de la manera descrita en este manual.
2. Conecte y encienda la primera carga, preferiblemente la mayor que usted tenga.
3. Permita que la salida del generador se estabilice (el motor funciona suavemente y el aparato conectado al mismo trabaja adecuadamente).

4. Conecte y encienda la próxima carga.
5. De nuevo, permita que el generador se estabilice.
6. Repita los pasos 4 y 5 para cada carga adicional que usted tenga.

Nunca añada más cargas sobre la capacidad del generador. Tome una atención especial en considerar las cargas de corriente según la capacidad del generador, como se describe arriba.

Figura 25 - Guía de Referencia de Vataje

Herramienta o Aparato Eléctrico	Vatios Calificados* (cuando esté funcionando)	Vatios Adicionales de Carga (al encender)
Esenciales		
Bombilla - 75 vatios	75	-
Congelador industrial	500	500
Bomba de aguas negras	800	1200
Refrigerador / congelador - 18 pies cúbicos	800	1600
Bomba de agua - 1/3 HP	1000	2000
Calefacción / enfriamiento		
Aire Acond. de ventana - 10.000 BTU	1200	1800
Ventilador de ventana	300	600
Calefactor de caldera - 1/2 HP	800	1300
Cocina		
Horno de microondas - 1.000 Vatios	1000	-
Cafetera	1500	-
Cocina eléctrica - Elemento simple	1500	-
Calentaplatos	2500	-
Habitación Familiar		
Tocador de DVD/CD	100	-
VCR	100	-
Receptor estéreo	450	-
Televisor a color - 27 pulg.	500	-
Computadora personal con monitor de 17 pulg.	800	-
Otros		
Sistema de seguridad	180	-
Radio-Reloj AM/FM	300	-
Abridor de garaje - 1/2 HP	480	520
Calentador eléctrico de agua - 40 galones	4000	-
Taller		
Luz de halógeno para trabajar	1000	-
Rociador sin aire - 1/3 HP	600	1200
Sierra intercambiable	960	960
Taladro eléctrico - 1/2 HP	1000	1000
Sierra circular - 7 1/4 pulg.	1500	1500
Sierra inglete - 10 pulg.	1800	1800
Mesa de planificación - 6 pulg.	1800	1800
Sierra de mesa / sierra de brazo radial - 10 pulg.	2000	2000
Compresor de aire - 1-1/2 HP HP = Caballo de fuerza.	2500	2500

*El vataje que aparece en la lista es solamente una cantidad aproximada. Verifique la herramienta o aparato eléctrico para obtener el vataje verdadero.



ESPECIFICACIONES DEL PRODUCTO

Especificaciones del Generador

Wattaje de Funcionamiento	900 Watts (0.9 kW)
Wattaje de Variación	1,000 Watts (1.0kW)
Voltaje	120 Voltios AC
Corriente Máxima	
a 120 Voltios AC	7.5 Amperios
a 120 Voltios DC	8.3 Amperios
Rango de Frecuencia	60 Hz a 3600 rpm
Fase	Una Fase
El Peso Embalado	61 lbs.

Especificaciones del Motor

Modelo	Mitsubishi GM82
Caballaje	2.4 a 4000 rpm
Desplazamiento	80cc
Tipo de Bujía:	NGK BP6HS o equivalente
Calibrar a:	0.030 pulgadas (0.75mm)
Capacidad de Gasolina	1.2 galones US (4.5l)

RECOMENDACIONES MANTENIMIENTO GENERALES

La garantía del generador no cubre aquellas partes que hayan sido sujetas al abuso o a la negligencia del operario. Para recibir la cobertura completa de la garantía, el operario deberá mantener al generador conforme se describe en el presente manual.

Será necesario realizar algunos ajustes de manera periódica para mantener de forma apropiada a su generador.

Todos los ajustes en esta sección deberán hacerse por lo menos una vez cada temporada. Cumpla con los requisitos en el cuadro "Programa de Mantenimiento" traza mostrado abajo en Figura 26.

NOTA: Una vez al año deberá limpiar o reemplazar la bujía y reemplazar el filtro de aire. Una bujía nueva y un filtro de aire limpio garantizan una mezcla de combustible-aire adecuada y ayuda a que su motor funcione mejor y tenga una vida útil más prolongada.

MANTENIMIENTO DEL GENERADOR

El mantenimiento del generador consiste en conservar la unidad limpia y seca. Opere y almacene la unidad en un medio ambiente limpio y seco donde no esté expuesto de manera excesiva al polvo, a la mugre, a la humedad o a vapores corrosivos. Las ventilas en el generador no deben ser cubiertas por nieve, hojas de árboles o por cualquier otro material extraño.

Verifique la limpieza del generador frecuentemente y límpielo cuando el polvo, la mugre, el aceite, la humedad u otra sustancia ajena sean visibles en la superficie exterior.

Figura 26 – Programa de Mantenimiento

Ítem	Operación	En cada uso	Primer Mes o 25 horas	Cada 3 meses o 50 horas	Cada 6 meses o 100 horas
Aceite del motor	Verificar nivel	X			
	Cambiar		X	X	
Filtro de aire	Verificar	X			
	Limpiar			X (1)	
Bujía	Verificar – Limpiar			X	
Tamiz Protector Contra Chispas	Verificar – Limpiar			X (2,3)	
Válvula (espacio)	Verificar – Ajustar				X (3)
Filtro del tanque de combustible	Limpiar				X
Tubería del combustible	Verificar (Reemplazar si es necesario)	Cada 3 años (3)			

- 1 Limpie más seguido bajo condiciones de mugre o de polvo. Reemplace las partes filtro de aire si están muy sucias.
- 2 Verifique cada 10 horas o 3 meses.
- 3 Estos artículos deberán ser sujetos de servicio por un distribuidor autorizado, a menos que el propietario tenga las herramientas adecuadas y sea un mecánico hábil y capaz.



NOTA: No utilice una manguera de jardín para limpiar el generador. El agua puede entrar al sistema de combustible del motor y ocasionar problemas severos. Además, si el agua ingresa al generador a través de las ventilas, alguna porción de agua podría permanecer en los huecos o grietas del rotor y del aislamiento que envuelve al estator. El agua y la mugre que se acumulen en los empaques internos del generador podría disminuir eventualmente la resistencia de aislamiento de tales empaques.

Para Limpiar el Generador

- Utilice una franela húmeda para limpiar las superficies externas.
- Un cepillo de cerdas podría usarse para remover los residuos de mugre, aceite, etc.



¡PRECAUCIÓN! Nunca introduzca ningún objeto o herramienta a través de las ventilas, incluso si el motor no está funcionando.

- Una aspiradora puede utilizarse para remover polvo y partículas.
- Aire a presión de baja intensidad (que no exceda los 25 psi) puede ser usado para soplar la mugre. Inspeccione las ventilas y ranuras del generador. Tales ranuras deben mantenerse limpias y sin obstrucción alguna.



¡PELIGRO! Cuando trabaje en el generador, desconecte siempre el alambre de la bujía y manténgalo alejado de la misma.

MANTENIMIENTO DEL MOTOR

Verifique el Nivel de Aceite

El nivel de aceite deberá verificarse antes de cada uso o por lo menos cada 5 horas de operación. Conserve el aceite en su nivel de mantenimiento.

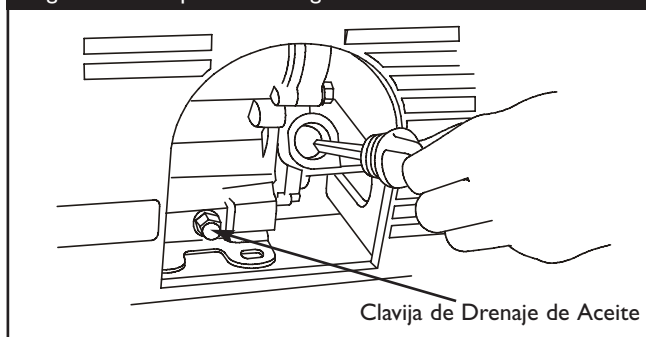
Cambiar el Aceite del Motor

Vea el Programa de Mantenimiento en la página 32 para intervalos recomendados de cambio de aceite. Si está utilizando su generador bajo condiciones de extrema mugre o polvo, o en un clima de calor excesivo, cambie el aceite con mayor frecuencia.

Cambie el aceite cuando el motor todavía esté caliente por su funcionamiento, de la manera siguiente:

- Quite la cubierta de relleno de aceite y limpie el área alrededor de la clavija de drenaje de aceite (Figura 27).

Figura 27 — Tapón De Desagüe Del Aceite



- Remueva la clavija de drenaje de aceite, la arandela y la tapa del relleno de aceite. Drene el aceite completamente en un contenedor adecuado para tal propósito.
- Instale la clavija de drenaje y la arandela. Apriete con fuerza.
- Rellene con el aceite recomendado y verifique su nivel. Consulte la página 27 para conocer cuáles son las recomendaciones de aceite.
- Limpie cualquier aceite derramado.



¡PRECAUCIÓN! Evite el contacto prolongado o repetido de piel con aceite usado de motor. El aceite usado del motor ha sido mostrado al cáncer de la piel de la causa en ciertos animales del laboratorio. Completamente lavado expuso áreas con el jabón y el agua.
MANTENGA FUERA DE ALCANCE DE NIÑOS. NO CONTAMINE. CONSERVE los RECURSOS. VUELVA ACEITE USADO A la COLECCION CENTRA.

- Reemplace la cubierta de relleno de aceite.

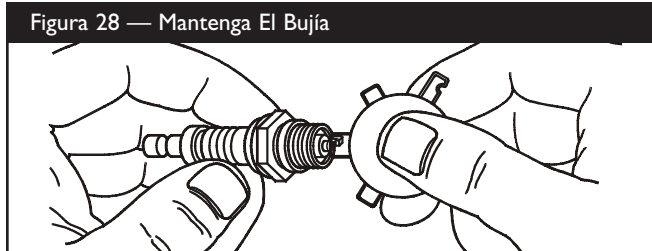
Limpie/Reemplace la Bujía

Verifique y limpie la bujía cada 50 horas de operación o cada tres meses, lo que suceda primero. Esto le ayudará a su motor a arrancar con mayor facilidad y a funcionar mejor.

- Remueva la cubierta de acceso a la bujía. Quite la tapa de la bujía.
- Limpie el área alrededor de la bujía.
- Quite e inspeccione la bujía.
- Reemplace la bujía si los electrodos están dañados o quemados o si la porcelana está rajada. Use la bujía recomendada para reemplazarla.



- Verifique el espacio de la bujía con un calibrador y colóquelo, si es necesario, a una distancia de entre 0.028 y 0.031 pulgadas (0.7 a 0.8 mm) (Figura 28).



- Reinstale la bujía.

Mantenimiento del Filtro de Aire

Su motor no funcionará apropiadamente y podría resultar dañado si lo utiliza un filtro de aire sucio.

Verifique el filtro de aire cada vez que lo use y limpie o reemplace el papel del filtro de aire cada 50 horas de operación o cada tres meses, lo que ocurra primero. Limpie o reemplácelo más seguido si lo opera en condiciones de suciedad o de polvo.

Para limpiar o reemplazar el elemento del filtro de aire:

- Afloje los tornillos de la cubierta del filtro de aire, remueva la cubierta del filtro de aire y quite el elemento (véase el ítem número 4, de la vista en explosión de la página 20).
- Limpie a conciencia el interior del depósito del filtro y la cubierta.
- Lave el elemento en una solución de detergente casero y agua caliente; después enjuague profusamente. O lave en un solvente no inflamable. Permita que el elemento se seque por completo.
- Remoje el elemento en aceite de motor limpio y exprima el excedente de aceite. **No** lo enrosque. El motor expulsará humo durante el arranque inicial si se deja demasiado aceite en el elemento.

NOTA: Si necesita ordenar un nuevo elemento del filtro de aire, avise al comerciante local.

- Reinstale el elemento de filtro de aire y la cubierta. Apriete manualmente los tornillos de la cubierta del filtro de aire.

Limpiar el Tamiz Protector Contra Chispas

El escape del mofle del motor posee un tamiz protector contra chispas. Revise y limpie el tamiz cada 10 hora de operación o cada tres meses, lo que suceda primero.

Revise el tamiz protector contra chispas y tenga el centro del servicio reemplácelo si está doblado, perforado o dañado en cualquier otra forma. **No** utilice un tamiz defectuoso. Si el tamiz no está dañado, cepíllelo con un cepillo de cerdas rígidas de metal.

NOTA: Si necesita ordenar un nuevo protector contra chispas, avise al comerciante local.

NOTA: Si utiliza su generador en un terreno baldío cubierto por ramas, maleza o pasto, deberá tener instalado un protector contra chispas. El propietario/operador deberá conservar en buen estado el protector contra chispas.

INSTRUCCIONES DEL ALMACENAMIENTO

Transporte y Almacenamiento

Cada vez que transporte el generador, gire el interruptor del motor a “Off” (APAGADO) y la válvula de combustible a la posición “Close” (CERRADO). Mantenga el nivel del generador para prevenir el derrame de combustible.

¡PRECAUCIÓN! El contacto con el motor o el sistema de escape cuando están calientes, puede causar quemaduras graves o incendios. Permita que el motor se enfríe antes de transportar o almacenar el generador. Tenga cuidado de no dejar caer ni golpear el generador cuando lo transporte. **No** coloque objetos pesados sobre el generador.

El generador deberá arrancarse por lo menos una vez cada siete días y dejarse funcionar por lo menos durante 30 minutos. Si esto no se puede hacer así, y usted tiene que almacenar la unidad por más de 30 días, utilice la siguiente información como una guía para prepararlo para su almacenamiento.

Instrucciones de Almacenamiento a Largo Plazo

¡PRECAUCIÓN! Nunca almacene el motor con combustible en el tanque en interiores o en áreas con poca o nula ventilación, donde los gases pueden alcanzar una flama libre, chispa o flama del piloto de un horno, calentador de agua, secadora de ropa o cualquier otro aparato de gas. Asegúrese de que el área de almacenamiento se encuentre libre de humedad y mugre en exceso.



Un Mes a Un Año

Drene el flotador del carburador (consulte la sección “Proteja el Sistema de Combustible”) y el tanque de combustible en un contenedor apropiado. Después de sacarlo del almacenamiento, llénelo con gasolina nueva antes de arrancarlo.

Más de Un Año

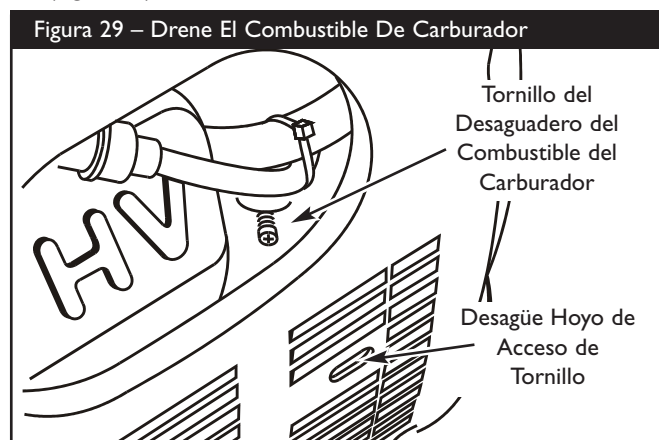
Es importante prevenir la formación de depósitos de goma en partes esenciales del sistema de combustible tales como el carburador, el filtro de combustible, la manguera de combustible o el tanque durante el almacenamiento. También, según lo indica la experiencia, los combustibles mezclados con alcohol (llamados gasohol, etanol o metanol) pueden atraer humedad, lo que origina la separación y la formación de ácidos durante el almacenamiento. El gas ácido puede dañar el sistema de combustible del motor mientras está almacenado.

Para evitar problemas con el motor, el sistema de combustible debe vaciarse antes de ser almacenado durante 30 días o más tiempo. Siga las siguientes instrucciones:

Proteja el Sistema de Combustible

¡PRECAUCIÓN! Drene el combustible en un contenedor aprobado para tal efecto en exteriores, alejado de cualquier flama libre. Asegúrese de que el motor está frío. **No fume.**

- Drene el flotador del carburador y el tanque de combustible en un contenedor apropiado, aflojando el tornillo de drenaje (Figura 29).



- Apriete de nuevo el tornillo de drenaje antes de volver a cargarlo con combustible.

Cambie el Aceite

Mientras el motor está todavía caliente, drene el aceite del contenedor del motor. Rellene con aceite de la gradación recomendada.

Aceite el Orificio del Cilindro

- Remueva la bujía y vierta cerca de una cucharada de aceite de motor limpio en el cilindro.

¡PRECAUCIÓN! Evite esparcirlo del agujero de la bujía cuando el motor gire lentamente.

- Cubra el agujero de la bujía con estopa. Dé vuelta lentamente al motor para distribuir el aceite.
- Instale la bujía. **No** conecte el cable de la bujía.
- Lentamente jale la manija de arranque hasta que sienta resistencia. En este momento, el pistón que sube por el golpe de la compresión, así como ambas válvulas, la de consumo como la de escape, estarán cerradas. Almacenar el motor en esta posición ayudará a protegerlo de la corrosión interna.

Generador

- Limpie el generador tal y como se describe en la página 33 (“Para Limpiar el Generador”).
- Verifique que las ranuras de ventilación sobre el generador están abiertas y sin obstrucción alguna.

Otros Consejos de Almacenamiento

- **No** almacene la gasolina de una temporada a otra.
- Reemplace su gasolina si el contenedor empieza a oxidarse. El óxido y/o la mugre en su gasolina podrían ocasionar problemas.
- De ser posible, almacene su unidad en interiores. **ASEGÚRESE DE VACIAR EL TANQUE DE COMBUSTIBLE.**
- Cubra su unidad con una cubierta protectora adecuada que no retenga humedad.
- IMPORTANTE:** **Nunca** cubra su generador mientras el motor y el área del escape se encuentren calientes.
- Almacene el generador en una área limpia y seca.

DIAGNÓSTICO Y REPARACIÓN DE AVERÍAS

Problema	Causa	Solución
El motor está funcionando pero no existe salida de AC disponible.	<ol style="list-style-type: none"> 1. Uno de los cotacircuitos está abierto. 2. Falla en el generador. 3. Mala conexión o juego de cordones defectuoso. 4. El dispositivo conectado está en mal estado. 	<ol style="list-style-type: none"> 1. Reajuste el cortacircuito. 2. Póngase en contacto con la Planta de Servicio de Snapper. 3. Revise y repare. 4. Conecte otro dispositivo que esté en buenas condiciones.
El motor funciona bien sin cargas pero "funciona mal" cuando las cargas son conectadas.	<ol style="list-style-type: none"> 1. Corto circuito en la carga conectada. 2. La velocidad del motor es muy lenta. 3. El generador está sobrecargado. 4. Circuito del generador en corto. 	<ol style="list-style-type: none"> 1. Desconecte la carga eléctrica en corto. 2. Póngase en contacto con la Planta de Servicio de Snapper. 3. Vea "No Sobrecargue el Generador", página 31. 4. Póngase en contacto con la Planta de Servicio de Snapper.
El motor no arranca; o arranca y funciona mal.	<ol style="list-style-type: none"> 1. Interruptor de Marcha/Parado en "Off". 2. Depurador de aire sucio. 3. Sin gasolina. 4. Gasolina vieja. 5. El alambre de la bujía no está conectado. 6. Bujía en mal estado. 7. Agua en la gasolina. 8. Exceso de cebado. 9. Mezcla de combustible excesivamente rica. 10. Válvula de toma atascada en la posición abierta o cerrada. 11. El motor ha perdido compresión. 	<ol style="list-style-type: none"> 1. Coloque el interruptor en "On" (MARCHA). 2. Limpie o reemplace el depurador de aire. 3. Llene el tanque de combustible. 4. Drene el tanque de gasolina; llénelo con combustible fresco. 5. Conecte el alambre a la bujía. 6. Reemplace la bujía. 7. Drene el tanque de gasolina; llénelo con combustible fresco. 8. Espere 5 minutos y haga girar el motor. 9. Póngase en contacto con la Planta de Servicio de Snapper. 10. Póngase en contacto con la Planta de Servicio de Snapper. 11. Póngase en contacto con la Planta de Servicio de Snapper.
El motor se apaga en pleno funcionamiento.	<ol style="list-style-type: none"> 1. Sin gasolina. 2. Nivel bajo del Aceite. 	<ol style="list-style-type: none"> 1. Llene el tanque del combustible. 2. Llene crancase al nivel apropiado.
Al motor le hace falta potencia.	<ol style="list-style-type: none"> 1. La carga es muy alta. 2. Filtro de aire sucio. 	<ol style="list-style-type: none"> 1. Vea "No Sobrecargue el Generador", página 31. 2. Reemplace el filtro de aire.
El motor "no funciona continuamente" o se detiene.	Carburador con mezcla de aire-combustible muy rica o muy pobre.	Póngase en contacto con la Planta de Servicio de Snapper.

EMISSION CONTROL SYSTEM WARRANTY

Your Warranty Rights and Obligations

The California Air Resources Board ("CARB") and Generac Portable Products, are pleased to explain the Emission Control System Warranty on your model year 2000 and later small off-road engine (engine). In California, new engines must be designed, built and equipped to meet the State's stringent anti-smog standards. Snapper must warrant the emission control system on your engine for the periods of time listed below provided there has been no abuse, neglect, or improper maintenance of your engine.

Your emission control system includes parts such as the carburetor and the ignition system.

Where a warrantable condition exists, Snapper will repair your engine at no cost to you. Expenses covered under warranty include diagnosis, parts, and labor.

Manufacturer's Warranty Coverage

The model year 2000 and later engines are warranted for two years. If any emission related part on your engine (as listed below) is defective, the part will be repaired or replaced by Snapper.

Owner's Warranty Responsibilities

As the engine owner, you are responsible for the performance of the required maintenance listed in this owners manual. Snapper recommends that you retain all receipts covering maintenance on your engine, but Snapper cannot deny warranty solely due for the lack of receipts or for your failure to ensure the performance of all scheduled maintenance.

As the engine owner, you should be aware that Snapper may deny you warranty coverage if your engine or a part of it has failed due to abuse, neglect, improper maintenance, unapproved modifications, or the use of parts not made or approved by the original equipment manufacturer.

You are responsible for presenting your engine to a Snapper authorized repair center as soon as a problem exists. Warranty repairs should be completed in a reasonable amount of time, not to exceed 30 days.

If you have any questions regarding your warranty rights and responsibilities, you should contact your nearest authorized service center.

Warranty Commencement Date

The warranty period begins on the date the engine is delivered.

Length of Coverage

Snapper warrants to the initial owner and each subsequent purchaser that the engine is free from defects in materials and workmanship which cause the failure of a warranted part for a period of two years.

What is Covered

Repair or Replacement of Parts

- Repair or replacement of any warranted part will be performed at no charge to the owner at an approved Snapper service center.

- If you have any questions regarding your warranty rights and responsibilities, you should contact your nearest authorized service center.

Warranty Period

Any warranted part which is not scheduled for replacement as required maintenance, or which is scheduled only for regular inspection to the effect of "repair or replace as necessary" shall be warranted for 2 years. Any warranted part which is scheduled for replacement as required maintenance shall be warranted for the period of time up to the first scheduled replacement point for that part.

Diagnosis

The owner shall not be charged for diagnostic labor which leads to the determination that the warranted part is defective if the diagnostic work is performed at an approved Snapper service center.

Consequential Damages

Snapper may be liable for damages to other engine components caused by the failure of a warranted part still under warranty.

What is Not Covered

All failures caused by abuse, neglect, or improper maintenance are not covered.

Add-on or Modified Parts

The use of add-on or modified parts can be grounds for disallowing a warranty claim. Snapper is not liable to cover failures of warranted parts caused by the use of add-on or modified parts.

How to File a Claim

If you have any questions regarding your warranty rights and responsibilities, you should contact your nearest authorized service center.

Where to Get Warranty Service

Warranty services or repairs shall be provided at all Snapper authorized service centers.

Maintenance, Replacement and Repair of Emission Related Parts

Any Snapper approved replacement part used in the performance of any warranty maintenance or repair on emission related parts will be provided without charge to the owner if the part is under warranty.

Emission Control Warranty Parts List

1. Carburetor Assembly
2. Ignition System
 - a. Spark Plug, covered up to maintenance schedule.
 - b. Ignition Module
3. Crankcase Breather Tube
4. Exhaust Manifold

GARANTIA DEL SISTEMA DE CONTROL DE EMISIONES

Sus Obligaciones y Derechos de Garantía

La Junta Directiva de Recursos Ambientales de California ("CARB") y Snapper, tienen el gusto de explicar la Garantía del Sistema de Control de Emisiones de su motor (motor) pequeño año 2000 y modelos posteriores. En California, los motores nuevos deben ser diseñados, fabricados y equipados para cumplir con los estrictos estándares anti-polución del Estado. Snapper deberá garantizar el sistema de control de emisiones de su motor por los períodos de tiempo enlistados a continuación, con tal de que no haya habido abuso, negligencia o mantenimiento inadecuado de su motor.

Su sistema de control de emisiones incluye partes como el carburador y el sistema de ignición.

Donde exista una condición que se pueda garantizar, Snapper reparará su motor sin costo alguno para usted. Los gastos cubiertos bajo la garantía incluyen diagnóstico, partes y mano de obra.

Cubrimiento de Garantía del Fabricante

Los motores modelo año 2000 y posteriores están garantizados por dos años. Si alguna parte de su motor relacionada con las emisiones (lista a continuación) es defectuosa, ésta será reemplazada o reparada por Snapper.

Responsabilidades de Garantía del Propietario

Como propietario del motor, usted es responsable de la realización del mantenimiento requerido enlistado en este manual del propietario. Snapper le recomienda conservar todos los recibos que cubran el mantenimiento de su motor. Sin embargo, Snapper no puede negar los derechos de garantía tan solo debido a la falta de los recibos o por que no se haya asegurado de realizar todo el mantenimiento programado.

Como propietario del motor, usted debe saber que Snapper puede negar el cubrimiento de la garantía si su motor, o una parte del mismo, ha fallado debido a abuso, negligencia, mantenimiento inadecuado, modificaciones no aprobadas, o por el uso de partes que no hayan sido fabricadas o aprobadas por el fabricante original del equipo.

Usted es responsable de llevar su motor a un centro de reparación autorizado Snapper tan pronto como aparezca el problema. Las reparaciones de garantía deberán terminarse en un período de tiempo razonable, que no exceda los 30 días.

Si tiene preguntas acerca de sus responsabilidades y derechos de garantía, deberá ponerse en contacto con su centro de servicio autorizado más cercano.

Fecha de Inicio de la Garantía

El período de la garantía comienza en la fecha de entrega del motor.

Duración del Cubrimiento

Snapper garantiza al propietario inicial y a cada comprador subsecuente, que el motor está libre de defectos en materiales y mano de obra que puedan causar falla de la parte garantizada por un período de dos años.

Que Esta Cubierto

Reparación o Reemplazo de Partes

- La reparación o el reemplazo de cualquier parte garantizada se realizará sin ningún costo para el propietario en un centro de servicio aprobado Snapper.

- Si tiene preguntas acerca de sus responsabilidades y derechos de garantía, deberá ponerse en contacto con su centro de servicio autorizado más cercano.

Período de Garantía

Cualquier parte garantizada que no haya sido programada para reemplazo como mantenimiento requerido, o que esté programada únicamente para inspección bajo la condición de "repare o reemplace cuando sea necesario", será garantizada por 2 años. Cualquier parte garantizada que esté programada para reemplazo según el mantenimiento requerido será garantizada por el período de tiempo hasta su primer reemplazo programado.

Diagnóstico

No se le cobrará al propietario los costos del trabajo diagnóstico que lleve a la conclusión de que la parte garantizada es defectuosa, si dicho trabajo diagnóstico es hecho en un centro de servicio Snapper aprobado.

Daños Consecuenciales

Snapper puede ser responsable por daños a otros componentes del motor causados por la falla de una parte garantizada que aún está bajo garantía.

Que No Esta Cubierto

No serán cubiertas las fallas causadas por abuso, negligencia o mantenimiento inadecuado.

Partes Agregadas o Modificadas

El uso de partes agregadas o modificadas puede ser motivo suficiente para negar reclamos bajo garantía. Snapper no es responsable de cubrir fallas de partes garantizadas causadas por el uso de partes agregadas o modificadas.

Cómo Presentar un Reclamo

Si tiene preguntas acerca de sus responsabilidades y derechos de garantía, deberá ponerse en contacto con su centro de servicio autorizado más cercano.

Donde se Obtiene el Servicio de Garantía

Las reparaciones o servicios de garantía serán proporcionados en todos los centros de servicio autorizados Snapper.

Mantenimiento, Reemplazo y Reparación de Partes Relacionadas con Emisiones

Cualquier repuesto aprobado por Snapper usado en la realización de cualquier mantenimiento o reparación de garantía en partes relacionadas con las emisiones, será suministrado sin costo alguno al propietario si la parte está bajo garantía.

Lista de Partes en Garantía del Control de Emisiones

1. Asamblea del Carburador
2. Sistema del Ignición
 - a. Bujía, encubrió al horario de la garantía
 - b. Módulo del Ignición
3. Tubo del Respiradero del Caja del Cigüeñal
4. Múltiple del Escape

GARANTÍA LIMITADA

PÓLIZA DE GARANTÍA PARA LOS PROPIETARIOS DE SNAPPER™ Efectiva desde el 1ro de Octubre, 2001

GARANTÍA LIMITADA

"Este más Snapper™ producto es distribuido abajo licencia por Generac Portable Products, LLC, una sucursal de Briggs & Stratton. Los productos portátiles Generac, LLC reparará o reemplazará, sin costo alguno, cualquier parte o partes del equipo que estén defectuosas en materiales o mano de obra, o ambos. Los cargos por concepto de transporte en las partes sometidas a reparación o reemplazo bajo esta garantía deben ser cubiertos por el comprador. Esta garantía es efectiva por un cierto periodo de tiempo y está sujeta a las condiciones provistas en la póliza. Para el servicio de garantía, consiga el concesionario autorizado más cercano en nuestro mapa localizador de concesionarios en www.generac-portables.com o llame al 1-877-544-0982. NO EXISTE OTRA GARANTÍA EXPRESA. LAS GARANTÍAS IMPLÍCITAS, INCLUYENDO AQUELLAS DE MERCANTIBILIDAD O CAPACIDAD PARA UN PROPÓSITO PARTICULAR, ESTÁN LIMITADAS AL PERIODO DE TIEMPO ESPECIFICADO, O HASTA EL LÍMITE PERMITIDO POR LA LEY, TODA Y CUALQUIER GARANTÍA IMPLÍCITA ESTÁ EXCLUIDA. RESPONSABILIDAD POR DAÑOS CONSECUENTES BAJO CUALQUIER Y TODAS LAS GARANTÍAS, ESTÁN EXCLUIDAS HASTA EL LÍMITE DE EXCLUSIÓN PERMITIDO POR LA LEY. Algunos estados no permiten limitaciones en cuánto y cuán implicadas, las garantías pueden ser y algunos estados no permiten la exclusión o limitación de daños incidentales o consecuentes, por lo que las limitaciones y exclusiones arriba mencionadas, es posible, que no se apliquen a usted. Esta garantía le proporciona derechos legales específicos y es posible que usted tenga otros derechos los cuales pueden variar de estado a estado y de país a país."

PERIODO DE GARANTÍA*

PRODUCTOS**	PARA USO DEL CONSUMIDOR	PARA USO COMERCIAL	UNIDADES REACONDICIONADAS POR LA FABRICA
Generador portátil (Válvula lateral con motor)	1 año	90 días	90 días
Generador portátil (Motor de válvula superior)	2 años (el segundo año solamente para las partes)	1 año	90 días
Lavador eléctrico a presión	1 año	ninguno	ninguno
Lavador de gasolina a presión	1 año	90 días	90 días

* El periodo de garantía comienza en la fecha de compra hecha por el primer consumidor al detal o usuario comercial, y continúa por el periodo de tiempo que aparece en la tabla arriba mencionada. "Para uso del consumidor" significa, uso residencial por un consumidor al detal. "Para uso comercial" significa, todos los otros casos, incluyendo el uso comercial, para generar un ingreso o por propósitos de alquiler. Una vez que el equipo ha sido usado comercialmente, debería ser considerado como de uso comercial para las finalidades de esta garantía. El equipo usado, el equipo de demostración y el equipo usado como energía primaria en lugares donde las utilidades públicas no están garantizados. Los accesorios tales como pistolas, mangueras, varillas y boquillas están excluidos de la garantía del producto.

** El motor a gasolina y las baterías para el encendido, están garantizados por el fabricante de esos productos.

EL REGISTRO DE LA GARANTÍA NO ES NECESARIO PARA OBTENER LA GARANTÍA EN LOS EQUIPOS PORTÁTILES DE GENERAC. GUARDE SU RECIBO DE COMPRA. SI USTED NO PROVEE LA PRUEBA DE LA FECHA DE LA COMPRA INICIAL, AL MOMENTO EN QUE SE REQUIERA USAR LA GARANTÍA, LA FECHA DE LA FABRICACIÓN DEL EQUIPO SERÁ USADA PARA DETERMINAR EL PERIODO DE GARANTÍA.

Acerca de la seguridad de su equipo:

Los Productos Portátiles Generac, reciben las reparaciones bajo la garantía y le pide disculpas por cualquier inconveniencia causada. Cualquier Concesionario de Servicio Autorizado puede llevar a cabo reparaciones bajo la garantía. La mayoría de las reparaciones bajo la garantía son manejadas normalmente, pero algunas veces la solicitud del servicio de garantía es posible que no sea apropiada. Por ejemplo, la garantía no será válida si el daño al equipo ocurrió debido al mal uso, falta de mantenimiento adecuado, manejo, envío, almacenamiento o una instalación inadecuada. Similarmenete, la garantía es anulada si el número de serial del equipo ha sido removido o el equipo ha sido alterado o modificado.

Si un cliente no está de acuerdo con la decisión hecha por el Concesionario de Servicio, se llevará a cabo una investigación para determinar si la garantía se puede aplicar. Pida al Concesionario de Servicio que entregue todos los hechos que soportan su decisión a su Distribuidor, para que éste los revise. Si el Distribuidor decide que el reclamo es justificado, al cliente se le reembolsará completamente por todos esos artículos que están defectuosos. Para evitar un malentendido que pueda ocurrir entre el Concesionario y el cliente, abajo aparecen algunos de las razones por las cuales el equipo puede fallar, y que la garantía no cubre:

Desgaste normal:

Equipo eléctrico al aire libre, como todos los aparatos mecánicos, necesita partes, servicio y reemplazo, periódicamente, para que funcione bien. Esta garantía no cubre la reparación cuando el uso normal ha acabado con la vida de una parte en particular o del equipo.

Instalación y mantenimiento:

Esta garantía no se aplica al equipo o parte que ha estado sujeta a una instalación inadecuada, que no haya sido autorizada o a cualquier tipo de alteración, el mal uso, negligencia, accidentes, sobrecarga, velocidad excesiva, mantenimiento inadecuado, reparación o almacenamiento, que según la opinión de los Productos Portátiles Generac, han afectado desfavorablemente su rendimiento y fiabilidad. Esta garantía también no cubre el mantenimiento normal tales como ajustes, limpieza del sistema de combustión y la obstrucción (debido a materias químicas, suciedad, carbón o cal, etc.)

Otras exclusiones:

También se encuentran excluidos de esta garantía, el desgaste de los artículos tales como, conectadores, medidores de aceite, correas, anillos O, filtros, empaque de la bomba, etc. las bombas que se hagan funcionar o trabajar sin agua, o daños y malfuncionamientos que resulten de accidentes, abusos, modificaciones, alteraciones, un servicio inadecuado, congelamiento o deterioro químico.

La garantía se encuentra disponible solamente a través de los concesionarios de servicios autorizados por los Productos Portátiles Generac. Esta garantía no se aplica al servicio proveniente de cualquier otra entidad.

Usted puede ubicar su Concesionario de Servicio Autorizado de los Productos Portátiles de Generac más cercano, en nuestro mapa localizador de concesionarios en www.generac-portables.com o llame al 1-877-544-0982.

Los Productos Portátiles de Generac están fabricados bajo una o más de las siguientes patentes: (Otras patentes están pendientes)

5902094	5823752	5718255	5890413
---------	---------	---------	---------

**Generac Portable Products, LLC
Jefferson, Wisconsin U.S.A.**

LIMITED WARRANTY
SNAPPER® OWNER WARRANTY POLICY Effective October 1, 2001

LIMITED WARRANTY

"This Snapper™ product is distributed under license by Generac Portable Products, LLC, a subsidiary of Briggs & Stratton. Generac Portable Products LLC will repair or replace, free of charge, any part, or parts of the equipment that are defective in material or workmanship or both. Transportation charges on parts submitted for repair or replacement under this Warranty must be borne by purchaser. This warranty is effective for the time periods and subject to the conditions provided for in this policy. For warranty service, find the nearest Authorized Service Dealer in our dealer locator map at www.generac-portables.com or call 1-877-544-0982. THERE IS NO OTHER EXPRESS WARRANTY. IMPLIED WARRANTIES, INCLUDING THOSE OF MERCHANTABILITY AND FITNESS FOR A PARTICULAR PURPOSE, ARE LIMITED TO THE TIME PERIOD SPECIFIED, OR TO THE EXTENT PERMITTED BY LAW ANY AND ALL IMPLIED WARRANTIES ARE EXCLUDED. LIABILITY FOR CONSEQUENTIAL DAMAGES UNDER ANY AND ALL WARRANTIES ARE EXCLUDED TO THE EXTENT EXCLUSION IS PERMITTED BY LAW. Some states do not allow limitations on how long an implied warranty lasts, and some states do not allow the exclusion or limitation of incidental or consequential damages, so the above limitation and exclusion may not apply to you. This warranty gives you specific legal rights and you may also have other rights which vary from state to state and country to country."

WARRANTY PERIOD*

PRODUCTS**	CONSUMER USE	COMMERCIAL USE	FACTORY RECONDITIONED UNITS
Portable Generator (Side Valve Engine Powered)	1 year	90 days	90 days
Portable Generator (Overhead Valve Engine Powered)	2 years (2nd year parts only)	1 year	90 days
Electric Powered Pressure Washer	1 year	None	None
Gasoline Powered Pressure Washer	1 year	90 days	90 days

* The warranty period begins on the date of purchase by the first retail consumer or commercial end user, and continues for the period of time stated in the table above. "Consumer use" means personal residential household use by a retail consumer. "Commercial use" means all other uses, including use for commercial, income producing or rental purposes. Once equipment has been used commercially, it shall thereafter be considered to be in commercial use for purposes of this warranty. Used equipment, demonstration equipment and equipment used for prime power in place of a utility are not warranted. Accessory parts such as guns, hoses, wands and nozzles are excluded from the product warranty.

** The gasoline engine and starting batteries are warranted solely by the manufacturers of those products.

WARRANTY REGISTRATION IS NOT NECESSARY TO OBTAIN WARRANTY ON GENERAC PORTABLE PRODUCTS EQUIPMENT. SAVE YOUR PROOF OF PURCHASE RECEIPT. IF YOU DO NOT PROVIDE PROOF OF THE INITIAL PURCHASE DATE AT THE TIME WARRANTY SERVICE IS REQUESTED, THE MANUFACTURING DATE OF THE EQUIPMENT WILL BE USED TO DETERMINE THE WARRANTY PERIOD.

About your equipment warranty:

Generac Portable Products welcomes warranty repair and apologizes to you for being inconvenienced. Any Authorized Service Dealer may perform warranty repairs. Most warranty repairs are handled routinely, but sometimes requests for warranty service may not be appropriate. For example, warranty would not apply if equipment damage occurred because of misuse, lack of routine maintenance, shipping, handling, warehousing or improper installation. Similarly, warranty is void if the serial number of the equipment has been removed or the equipment has been altered or modified.

If a customer differs with the decision of the Service Dealer, an investigation will be made to determine whether the warranty applies. Ask the Service Dealer to submit all supporting facts to its Distributor for review. If the Distributor decides that the claim is justified, the customer will be fully reimbursed for those items that are defective. To avoid misunderstandings that might occur between the customer and the Dealer, listed below are some of the causes of equipment failure that the warranty does not cover:

Normal wear:

Outdoor Power Equipment, like all mechanical devices, needs periodic parts, service and replacement to perform well. This warranty does not cover repair when normal use has exhausted the life of a part or the equipment.

Installation and Maintenance:

This warranty does not apply to equipment or parts that have been subjected to improper or unauthorized installation or alteration, misuse, negligence, accident, overloading, overspeeding, improper maintenance, repair or storage so as, in Generac Portable Products' judgment, to adversely affect its performance and reliability. This warranty also does not cover normal maintenance such as adjustments, fuel system cleaning and obstruction (due to chemical, dirt, carbon or lime, etc.).

Other Exclusions:

Also excluded from this warranty are wear items such as quick couplers, oil gauges, belts, o-rings, filters, pump packing, etc., pumps which have been run without water supplied or damage or malfunctions resulting from accidents, abuse, modifications, alterations, or improper servicing or freezing or chemical deterioration.

Warranty is available only through service dealers authorized by Generac Portable Products. This warranty does not apply to service by any other entity.

You may locate your nearest Authorized Generac Portable Product Service Dealer in our dealer locator map at www.generac-portables.com or call 1-877-544-0982.

Generac Portable Products Are Made Under One Or More Of The Following Patents: (Other Patents Pending)
 5902094 5823752 5718255 5890413

Generac Portable Products, LLC
Jefferson, Wisconsin U.S.A.

Free Manuals Download Website

<http://myh66.com>

<http://usermanuals.us>

<http://www.somanuals.com>

<http://www.4manuals.cc>

<http://www.manual-lib.com>

<http://www.404manual.com>

<http://www.luxmanual.com>

<http://aubethermostatmanual.com>

Golf course search by state

<http://golfingnear.com>

Email search by domain

<http://emailbydomain.com>

Auto manuals search

<http://auto.somanuals.com>

TV manuals search

<http://tv.somanuals.com>