

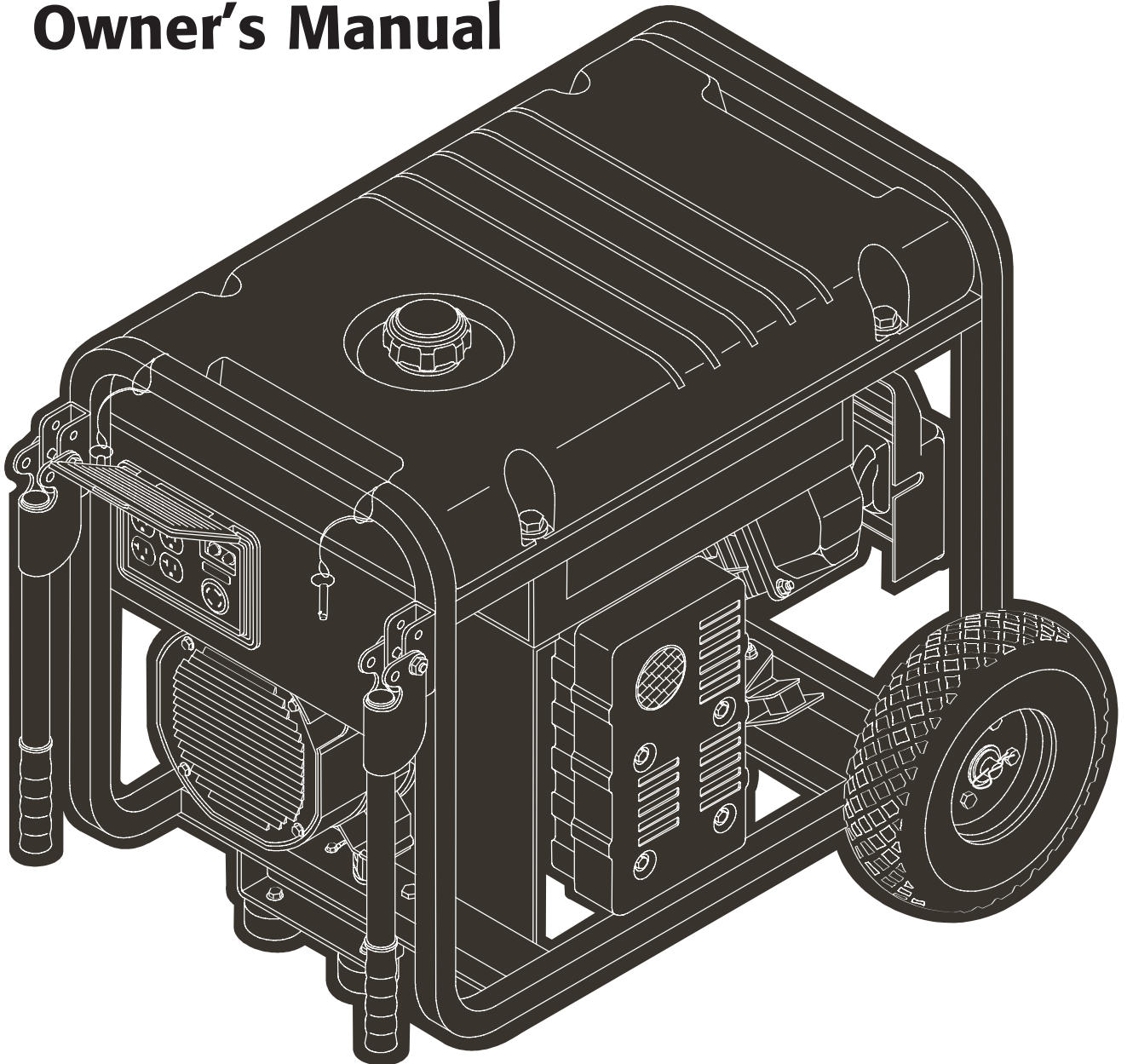
# SNAPPER™

5500 Watt  
Generator

by



## Owner's Manual



Questions? Help is just a moment away!  
Contact the Local Snapper Service Center  
Web: [www.snapper.com](http://www.snapper.com) or [www.briggsandstratton.com](http://www.briggsandstratton.com)

Model No. 1668-0 (5,500 Watt AC Generator) Manual No. 190313GS Revision 3 (01/19/2004)



## TABLE OF CONTENTS

Safety Rules . . . . . 2-4  
 Know Your Generator . . . . . 5  
 Assembly . . . . . 6-7  
 Operation . . . . . 8-11  
 Specifications . . . . . 12  
 Maintenance . . . . . 12  
 Storage . . . . . 13  
 Troubleshooting . . . . . 13  
 Schematic/Wiring Diagram . . . . . 14-15  
 Replacement Parts . . . . . 16-19  
 Warranty . . . . . Last Page

## EQUIPMENT DESCRIPTION

**Read this manual carefully and become familiar with your generator. Know its applications, its limitations and any hazards involved.**

This manual describes an engine-driven, revolving field, alternating current (AC) generator designed to supply electrical power for operating compatible electrical lighting, appliances, tools and motor loads. The generator's revolving field is driven at about 3,600 rpm by a single-cylinder engine.

**CAUTION!** DO NOT exceed the generator's wattage/ampere capacity. See "Don't Overload Generator" on page 11.

Every effort has been made to ensure that information in this manual is accurate and current. However, we reserve the right to change, alter or otherwise improve the product and this document at any time without prior notice.

The Emission Control System for this generator is warranted for standards set by the Environmental Protection Agency. For warranty information refer to the engine owner's manual.

In the State of California a spark arrester is required by law (Section 4442 of the California Public Resources Code). Other states may have similar laws. Federal laws apply on federal lands. If you equip the muffler with a spark arrester, it must be maintained in effective working order.

## SAFETY RULES

**This is the safety alert symbol. It is used to alert you to potential personal injury hazards. Obey all safety messages that follow this symbol to avoid possible injury or death.**

The safety alert symbol () is used with a signal word (DANGER, CAUTION, WARNING), a pictorial and/or a safety message to alert you to hazards. **DANGER** indicates a hazard which, if not avoided, will result in death or serious injury. **WARNING** indicates a hazard which, if not avoided, could result in death or serious injury. **CAUTION** indicates a hazard which, if not avoided, might result in minor or moderate injury. **CAUTION**, when used without the alert symbol, indicates a situation that could result in equipment damage. Follow safety messages to avoid or reduce the risk of injury or death.

**WARNING**

**The engine exhaust from this product contains chemicals known to the State of California to cause cancer, birth defects, or other reproductive harm.**

### Hazard Symbols and Meanings

Electrocution	Electrical Shock	Electrical Shock
Toxic Fumes	Explosion	Fire
Explosive Pressure	Chemical Burn	Hot Surface



## Snapper 5500 Watt Generator



### **DANGER**



Running generator gives off carbon monoxide, an odorless, colorless, poison gas.

Breathing carbon monoxide will cause nausea, fainting or death.

- Operate generator **ONLY** outdoors.
- Keep at least 2 feet of clearance on all sides of generator for adequate ventilation.
- **DO NOT** operate generator inside any building or enclosure, including the generator compartment of a recreational vehicle (RV).

### **DANGER**



Generator produces powerful voltage.

Failure to isolate generator from power utility can result in death or injury to electric utility workers due to backfeed of electrical energy.

- When using generator for backup power, notify utility company. Use approved transfer equipment to isolate generator from electric utility.
- Use a ground circuit fault interrupter (GFCI) in any damp or highly conductive area, such as metal decking or steel work.
- **DO NOT** touch bare wires or receptacles.
- **DO NOT** use generator with electrical cords which are worn, frayed, bare or otherwise damaged.
- **DO NOT** operate generator in the rain.
- **DO NOT** handle generator or electrical cords while standing in water, while barefoot, or while hands or feet are wet.
- **DO NOT** allow unqualified persons or children to operate or service generator.

### **DANGER**



Storage batteries give off explosive hydrogen gas during recharging.

Hydrogen gas stays around battery for a long time after battery has been charged.

Slightest spark will ignite hydrogen and cause explosion.

You can be blinded or severely injured.



Battery electrolyte fluid contains acid and is extremely caustic.

Contact with battery fluid will cause severe chemical burns.

- **DO NOT** allow any open flame, spark, heat, or lit cigarette during and for several minutes after charging a battery.
- Wear protective goggles, rubber apron, and rubber gloves.

### **WARNING**



Fuel and its vapors are extremely flammable and explosive.



Fire or explosion can cause severe burns or death.

#### **WHEN ADDING FUEL**

- Turn generator **OFF** and let it cool at least 2 minutes before removing gas cap. Loosen cap slowly to relieve pressure in tank.
- Fill fuel tank outdoors.
- **DO NOT** overfill tank. Allow space for fuel expansion.
- Keep fuel away from sparks, open flames, pilot lights, heat, and other ignition sources.
- **DO NOT** light a cigarette or smoke.

#### **WHEN OPERATING EQUIPMENT**

- **DO NOT** tip engine or equipment at angle which causes fuel to spill.
- This generator is not for use in mobile equipment or marine applications.

#### **WHEN TRANSPORTING OR REPAIRING EQUIPMENT**

- Transport/repair with fuel tank **EMPTY**.
- Disconnect spark plug wire.

#### **WHEN STORING FUEL OR EQUIPMENT WITH FUEL IN TANK**

- Store away from furnaces, stoves, water heaters, clothes dryers or other appliances that have pilot light or other ignition source because they can ignite fuel vapors.

### **WARNING**

- This generator does not meet U. S. Coast Guard Regulation 33CFR-183 and should not be used on marine applications.
- Failure to use the appropriate U. S. Coast Guard approved generator could result in bodily injury and/or property damage.



**WARNING**



Unintentional sparking can result in fire or electric shock.

**WHEN ADJUSTING OR MAKING REPAIRS TO YOUR GENERATOR**

- Disconnect the spark plug wire from the spark plug and place the wire where it cannot contact spark plug.

**WARNING**



Running engines produce heat. Temperature of muffler and nearby areas can reach or exceed 150°F (65°C).  
Severe burns can occur on contact.

- DO NOT touch hot surfaces.
- Allow equipment to cool before touching.

**CAUTION**

Excessively high operating speeds increase risk of injury and damage to generator.  
Excessively low speeds impose a heavy load.

- DO NOT tamper with governed speed. Generator supplies correct rated frequency and voltage when running at governed speed.
- DO NOT modify generator in any way.

**CAUTION**

Exceeding generator's wattage/amperage capacity can damage generator and/or electrical devices connected to it.

- See "Don't Overload Generator" on page 11.
- Start generator and let engine stabilize before connecting electrical loads.
- Connect electrical loads in OFF position, then turn ON for operation.
- Turn electrical loads OFF and disconnect from generator before stopping generator.

**CAUTION**

Improper treatment of generator can damage it and shorten its life.

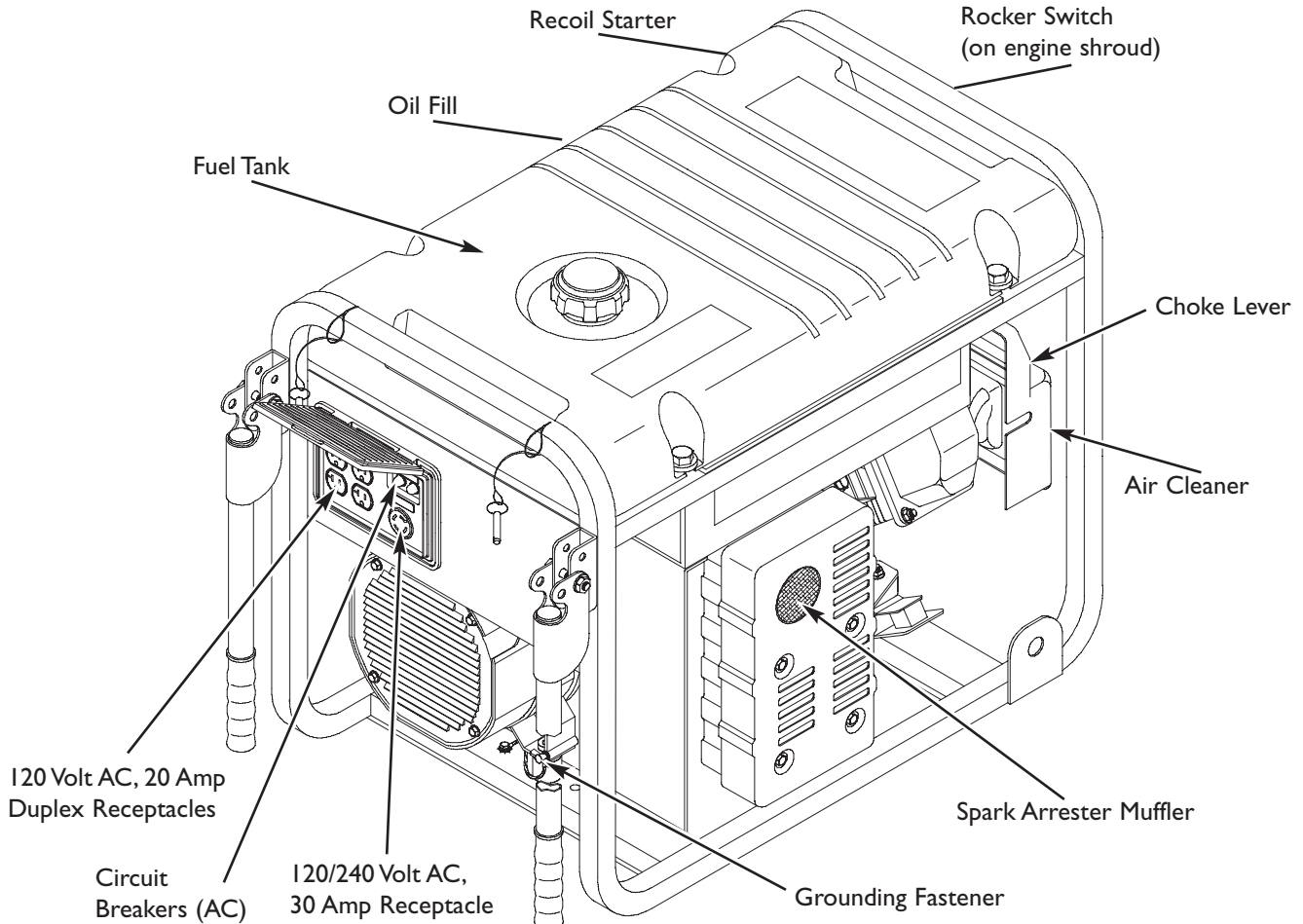
- Use generator only for intended uses.
- If you have questions about intended use, ask dealer or call 1-800-317-7833.
- Operate generator only on level surfaces.
- DO NOT expose generator to excessive moisture, dust, dirt, or corrosive vapors.
- DO NOT insert any objects through cooling slots.
- If connected devices overheat, turn them off and disconnect them from generator.
- Shut off generator if:
  - electrical output is lost;
  - equipment sparks, smokes, or emits flames;
  - unit vibrates excessively.



## KNOW YOUR GENERATOR

Read this owner's manual and safety rules before operating your generator.

Compare the illustrations with your generator, to familiarize yourself with the locations of various controls and adjustments. Save this manual for future reference.



**120 Volt AC, 20 Amp, Duplex Receptacles** — May be used to supply electrical power for the operation of 120 Volt AC, 20 Amp, single phase, 60 Hz electrical, lighting, appliance, tool and motor loads.

**120/240 Volt AC, 30 Amp Locking Receptacle** — May be used to supply electrical power for the operation of 120 and/or 240 Volt AC, 30 Amp, single phase, 60 Hz electrical, lighting, appliance, tool and motor loads.

**Air Cleaner** — Uses a dry type filter element to limit the amount of dirt and dust sucked into the engine.

**Choke Lever** — Used when starting a cold engine.

**Circuit Breakers (AC)** — Push to reset circuit breakers are provided to protect the generator against electrical overload.

**Fuel Tank** — Capacity of seven (7) U.S. gallons.

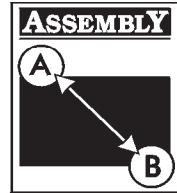
**Grounding Fastener** — If required, please consult a qualified electrician, electrical inspector, or local agency having jurisdiction.

**Oil Fill** — Add engine oil here.

**Recoil starter** — Used to start the engine.

**Rocker Switch** — Set this switch to "On" before using recoil starter. Set switch to "Off" to switch off engine.

**Spark Arrester Muffler** — Exhaust muffler lowers engine noise and is equipped with a spark arrester screen.



## ASSEMBLY

Your generator requires some assembly and is ready for use after it has been properly serviced with the recommended oil and fuel.

**If you have any problems with the assembly of your generator, contact the local Snapper service center.**

**IMPORTANT:** Any attempt to run the unit before it has been serviced with the recommended oil will result in an engine failure.

### Remove Generator From Carton

- Set the carton on a rigid flat surface with “This Side Up” arrows pointing upward.
- Carefully open the top flaps of the shipping carton.
- Cut down corners at one end of carton from top to bottom and lay that side of carton down flat.
- Remove all packing material, carton fillers, etc.
- Remove the generator from the shipping carton.

### Carton Contents

Check all contents. If any parts are missing or damaged, contact the local Snapper service center.

- The generator
- Generator and engine owner’s manuals
- Locking 30 Amp plug
- Engine oil
- Wheel kit

### Install Wheel Kit

The wheel kit is designed to greatly improve the portability of your generator.

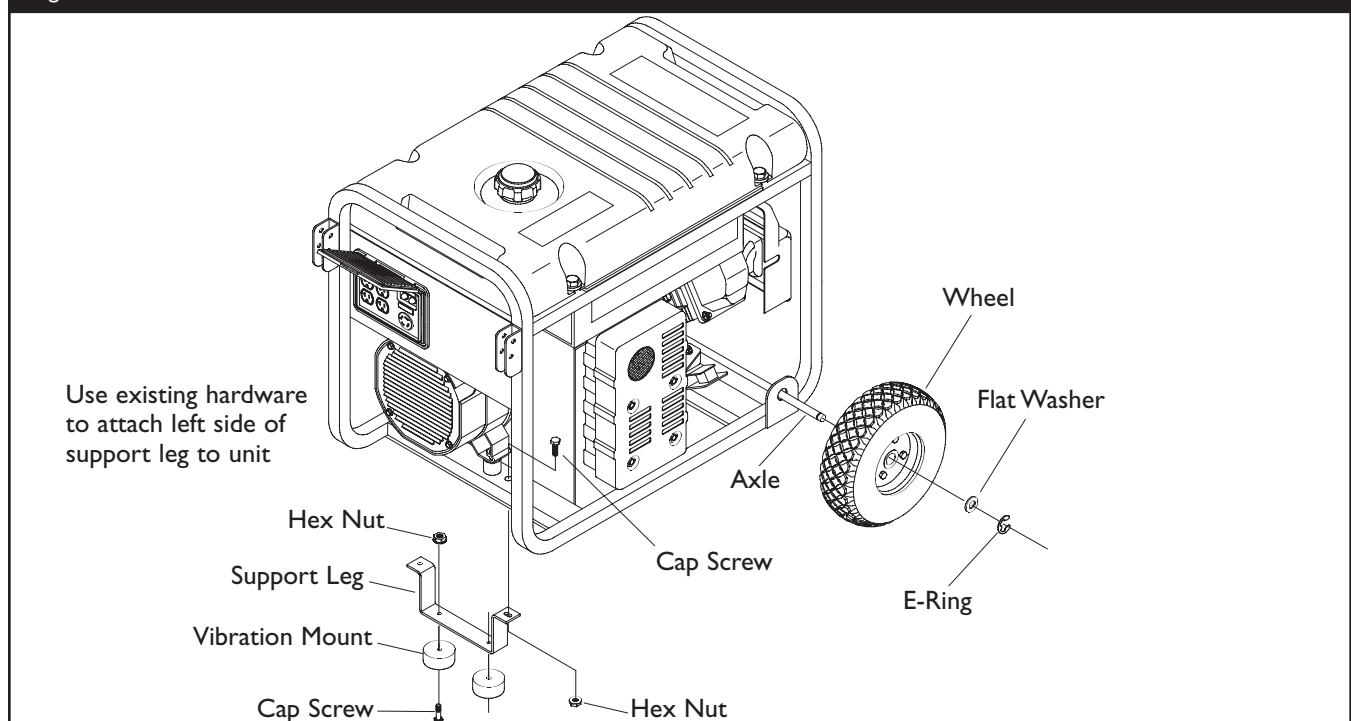
**NOTE:** Wheel kit is not intended for over-the-road use.

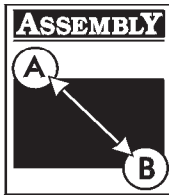
You will need a socket wrench with 1/2" or 13mm sockets and a needle-nose pliers to install this kit.

**Refer to Figure 1 and install the wheel kit as follows:**

1. Place the bottom of the generator cradle on a flat, even surface. Temporarily place unit on blocks to ease assembly.
2. Slide axle through both axle mounting brackets on cradle frame, as shown in Figure 1.
3. Slide a wheel over the axle.

Figure 1 — Install Wheel Kit





**NOTE:** Be sure to install both wheels with the air pressure valve on the outboard side.

4. Place the e-ring onto the groove in the axle. You may add the flat washer if desired.

**NOTE:** Use retaining pins instead of e-clip, if applicable.

5. Place one end of the needle nose pliers on the bottom of the axle and the other end of the pliers on top of the e-ring. Seat the e-ring by pressing the pliers closed.
6. Repeat step 3 through 5 to secure second wheel.
7. Remove the temporary blocks.
8. Attach the vibration mounts to the support leg with 30mm capscrews and lock nuts.
9. To aid support leg assembly, rest generator on cradle, engine end down. Remove the existing hardware from the left unit vibration mount with 13mm wrench. Use the same hardware to attach the support leg.
10. Attach the other side of the support leg with a 20mm cap screw and lock nut. Rest generator on wheels and support leg.
11. Check each fastener to ensure it is secure and the tires are inflated between 15-40 PSI.

## BEFORE STARTING THE ENGINE

### Add Engine Oil and Fuel

- Place generator on a level surface.
- Refer to engine owner's manual and follow oil and fuel recommendations and instructions.

### CAUTION

Any attempt to crank or start the engine before it has been properly filled with the recommended oil will result in equipment failure.

- Refer to engine manual for oil and fuel fill information.
- Damage to equipment resulting from failure to follow this instruction will void warranty.

**NOTE:** Check oil often during engine break-in. Refer to engine owner's manual for recommendations.

**NOTE:** The generator assembly rotates on a prelubricated and sealed ball bearing that requires no additional lubrication for the life of the bearing.



## USING THE GENERATOR

### System Ground

The generator has a system ground that connects the generator frame components to the ground terminals on the AC output receptacles. The system ground is connected to the AC neutral wire (see “Equipment Description”, earlier in this manual).

### Special Requirements

There may be Federal or State Occupational Safety and Health Administration (OSHA) regulations, local codes, or ordinances that apply to the intended use of the generator. Please consult a qualified electrician, electrical inspector, or the local agency having jurisdiction.

- In some areas, generators are required to be registered with local utility companies.
- If the generator is used at a construction site, there may be additional regulations which must be observed.

### Connecting to a Building’s Electrical System

Connections for standby power to a building’s electrical system must be made by a qualified electrician. The connection must isolate the generator power from utility power, and must comply with all applicable laws and electrical codes.

### DANGER



Generator produces powerful voltage. Failure to isolate generator from power utility can result in death or injury to electric utility workers due to backfeed of electrical energy.

- When using generator for backup power, notify utility company. Use approved transfer equipment to isolate generator from electric utility.
- Use a ground fault circuit interrupter (GFCI) in any damp or highly conductive area, such as metal decking or steel work.
- DO NOT touch bare wires or receptacles.
- DO NOT use generator with electrical cords which are worn, frayed, bare or otherwise damaged.
- DO NOT operate generator in the rain.
- DO NOT handle generator or electrical cords while standing in water, while barefoot, or while hands or feet are wet.
- DO NOT allow unqualified persons or children to operate or service generator.

## OPERATING THE GENERATOR

### CAUTION

Exceeding generator’s wattage/amperage capacity can damage generator and/or electrical devices connected to it.

- See “Don’t Overload Generator” on page 11.
- Start generator and let engine stabilize before connecting electrical loads.
- Connect electrical loads in OFF position, then turn ON for operation.
- Turn electrical loads OFF and disconnect from generator before stopping generator.

### Starting the Engine

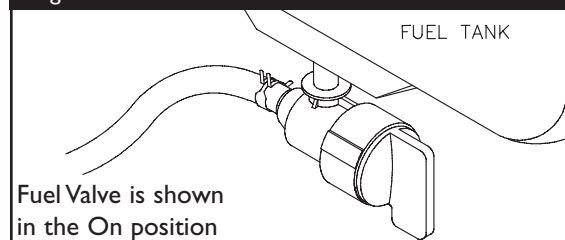
Disconnect all electrical loads from the generator. Use the following start instruction steps by numerical order:

1. Make sure unit is on a level surface.

**IMPORTANT:** Failure to start and operate unit on a level surface will cause the unit not to start or shut down during operation.

2. Turn the fuel valve to the “On” position (Figure 2).

Figure 2 — Fuel Valve



3. Start engine according to engine owner’s manual.

**NOTE:** If engine starts after 3 pulls but fails to run, or if unit shuts down during operation, make sure unit is on a level surface and check for proper oil level in crankcase. This unit may be equipped with a low oil protection device. See engine manual.





## Connecting Electrical Loads

- Let engine stabilize and warm up for a few minutes after starting.
- Plug in and turn on the desired 120 and/or 240 Volt AC, single phase, 60 Hz electrical loads.
- DO NOT connect 240 Volt loads to the 120 Volt duplex receptacles.
- DO NOT connect 3-phase loads to the generator.
- DO NOT connect 50 Hz loads to the generator.
- **DO NOT OVERLOAD THE GENERATOR.** See “Don’t Overload Generator” on page 11.

## Stopping the Engine

1. Unplug **all** electrical loads from generator panel receptacles. NEVER start or stop engine with electrical devices plugged in and turned **ON**.
2. Let engine run at no-load for several minutes to stabilize internal temperatures of engine and generator.
3. Turn engine off according to engine owner’s manual.
4. Move fuel valve to “**Off**” position.

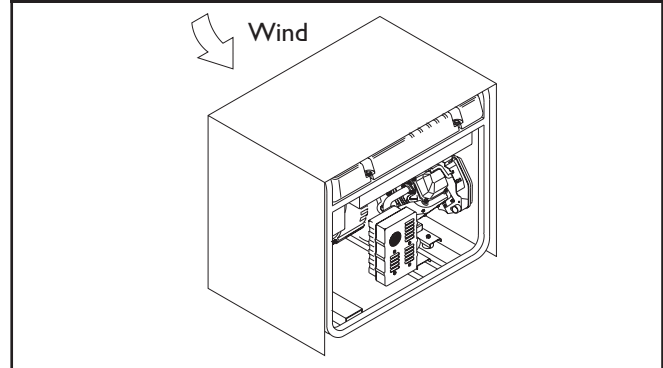
## COLD WEATHER OPERATION

Under certain weather conditions (temperatures below 40°F [4°C] and a high dew point), your generator may experience icing of the carburetor and/or the crankcase breather system.

Build a structure that will enclose three sides and the top of the generator:

1. Make sure entire muffler-side of generator is exposed. Note generator may appear different from that shown in Figure 3.

Figure 3 — Permanent Cold Weather Shelter



2. Ensure a minimum of two feet clearance between open side of box and nearest object.
3. Face exposed end away from wind and elements.
4. Enclosure should hold enough heat created by the generator to prevent problems.

### DANGER



Running generator gives off carbon monoxide, an odorless, colorless, poison gas. Breathing carbon monoxide will cause nausea, fainting or death.

- Operate generator **ONLY** outdoors.
- Keep at least 2 feet of clearance on all sides of generator for adequate ventilation.
- DO NOT operate generator inside any building or enclosure, including the generator compartment of a recreational vehicle (RV).
- Remove generator from shelter when temperature is above 40°F [4°C].



## RECEPTACLES

### CAUTION

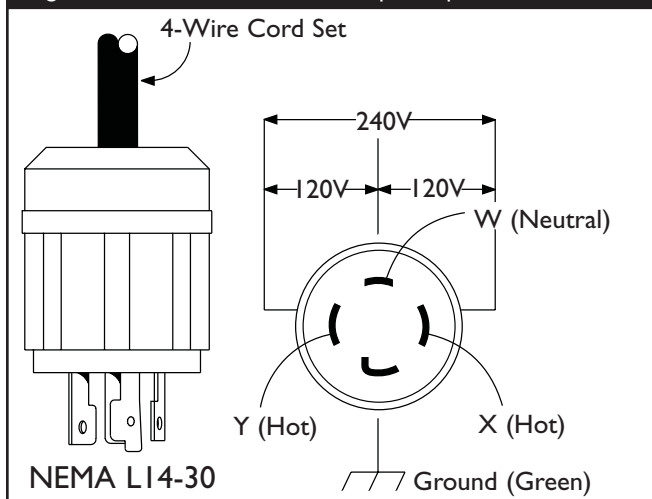
Receptacles may be marked with rating value greater than generator output capacity.

- NEVER attempt to power a device requiring more amperage than generator or receptacle can supply.
- DO NOT overload the generator. See “Don’t Overload Generator”.

### 120/240 Volt AC, 30 Amp, Locking Receptacle

Use a NEMA L14-30 plug with this receptacle. Connect a 4-wire cord set rated for 250 Volt AC loads at 30 Amps (or greater) (Figure 4). You can use the same 4-wire cord if you plan to run a 120 Volt load.

Figure 4 — 120/240 Volt AC, 30 Amp Receptacle

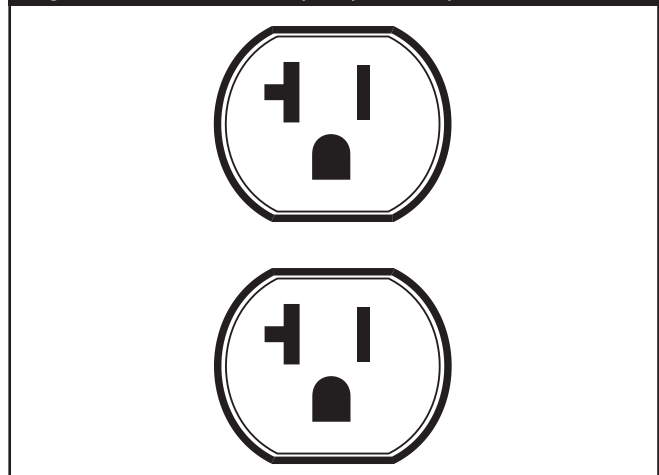


This receptacle powers 120/240 Volt AC, 60 Hz, single phase loads requiring up to 5,500 watts of power (5.5 kW) at 30 Amps for 120 Volts or 240 Volts. The outlet is protected by a push-to-reset circuit breaker.

### 120 Volt AC, 20 Amp, Duplex Receptacles

Each duplex receptacle (Figure 5) is protected against overload by a push-to-reset circuit breaker.

Figure 5 — 120 Volt, 20 Amp Duplex Receptacle



Use each receptacle to operate 120 Volt AC, single-phase, 60 Hz electrical loads requiring up to 2,400 watts (2.4 kW) at 20 Amps of current. Use cord sets that are rated for 125 Volt AC loads at 20 Amps (or greater).



# DON'T OVERLOAD GENERATOR

## Capacity

You must make sure your generator can supply enough rated (running) and surge (starting) watts for the items you will power at the same time. Follow these simple steps:

1. Select the items you will power at the same time.
2. Total the rated (running) watts of these items. This is the amount of power your generator must produce to keep your items running. See Figure 6.
3. Estimate how many surge (starting) watts you will need. Surge wattage is the short burst of power needed to start electric motor-driven tools or appliances such as a circular saw or refrigerator. Because not all motors start at the same time, total surge watts can be estimated by adding only the item(s) with the highest additional surge watts to the total rated watts from step 2.

### Example:

Tool or Appliance	Rated (Running) Watts	Additional Surge (Starting) Watts
Window Air Conditioner	1200	1800
Refrigerator	800	1600
Deep Freezer	500	500
Television	500	-
Light (75 Watts)	75	-
	3075 Total Running Watts	1800 Highest Surge Watts

Total Rated (Running) Watts = 3075  
 Highest Additional Surge Watts = 1800  
 Total Generator Output Required = 4875

## Power Management

To prolong the life of your generator and attached devices, it is important to take care when adding electrical loads to your generator. There should be nothing connected to the generator outlets before starting its engine. The correct and safe way to manage generator power is to sequentially add loads as follows:

1. With nothing connected to the generator, start the engine as described in this manual.
2. Plug in and turn on the first load, preferably the largest load you have.
3. Permit the generator output to stabilize (engine runs smoothly and attached device operates properly).

4. Plug in and turn on the next load.
5. Again, permit the generator to stabilize.
6. Repeat steps 4 and 5 for each additional load.

NEVER add more loads than the generator capacity. Take special care to consider surge loads in generator capacity, as described above.

Figure 6 - Wattage Reference Chart

Tool or Appliance	Rated* (Running) Watts	Additional Surge (Starting) Watts
<b>Essentials</b>		
Light Bulb - 75 watt	75	-
Deep Freezer	500	500
Sump Pump	800	1200
Refrigerator/Freezer - 18 Cu. Ft.	800	1600
Water Well Pump - 1/3 HP	1000	2000
<b>Heating/Cooling</b>		
Window AC - 10,000 BTU	1200	1800
Window Fan	300	600
Furnace Fan Blower - 1/2 HP	800	1300
<b>Kitchen</b>		
Microwave Oven - 1000 Watt	1000	-
Coffee Maker	1500	-
Electric Stove - Single Element	1500	-
Hot Plate	2500	-
<b>Family Room</b>		
DVD/CD Player	100	-
VCR	100	-
Stereo Receiver	450	-
Color Television - 27"	500	-
Personal Computer w/17" monitor	800	-
<b>Other</b>		
Security System	180	-
AM/FM Clock Radio	300	-
Garage Door Opener - 1/2 HP	480	520
Electric Water Heater - 40 Gallon	4000	-
<b>DIY/Job Site</b>		
Quartz Halogen Work Light	1000	-
Airless Sprayer - 1/3 HP	600	1200
Reciprocating Saw	960	960
Electric Drill - 1/2 HP	1000	1000
Circular Saw - 7 1/4"	1500	1500
Miter Saw - 10"	1800	1800
Table Planer - 6"	1800	1800
Table Saw/Radial Arm Saw - 10"	2000	2000
Air Compressor - 1-1/2 HP	2500	2500

\*Wattages listed are approximate only. Check tool or appliance for actual wattage.



# Snapper 5500 Watt Generator



## SPECIFICATIONS

- Maximum Surge Watts . . . . .8,500 watts
- Continuous Wattage Capacity . . . . .5,500 watts
- Power Factor . . . . .1.0
- Rated Maximum Continuous AC Load Current:
  - At 120 Volts . . . . .45.8 Amps
  - At 240 Volts . . . . .22.9 Amps
- Phase . . . . .1-phase
- Rated Frequency . . . . .60 Hertz
- Fuel Tank Capacity . . . . .7 U.S. gallons
- Shipping Weight . . . . .175 lbs.

## GENERAL MAINTENANCE RECOMMENDATIONS

The Owner/Operator is responsible for making sure that all periodic maintenance tasks are completed on a timely basis; that all discrepancies are corrected; and that the unit is kept clean and properly stored. **NEVER operate a damaged or defective generator.**

**NOTE:** If equipped with inflatable tires, make sure tires are inflated to the value marked on the tire or within 15 and 40 psi.

### Engine Maintenance

See engine owner's manual for instructions.

	<b>CAUTION</b>
Avoid prolonged or repeated skin contact with used motor oil.	
<ul style="list-style-type: none"> <li>• Used motor oil has been shown to cause skin cancer in certain laboratory animals.</li> <li>• Thoroughly wash exposed areas with soap and water.</li> </ul>	



KEEP OUT OF REACH OF CHILDREN. DON'T POLLUTE. CONSERVE RESOURCES. RETURN USED OIL TO COLLECTION CENTERS.

### Generator Maintenance

Generator maintenance consists of keeping the unit clean and dry. Operate and store the unit in a clean dry environment where it will not be exposed to excessive dust, dirt, moisture or any corrosive vapors. Cooling air slots in the generator must not become clogged with snow, leaves or any other foreign material.

**NOTE:** DO NOT use a garden hose to clean generator. Water can enter engine fuel system and cause problems. In addition, if water enters generator through cooling air slots, some of the water will be retained in voids and cracks of the rotor and stator winding insulation. Water and dirt buildup on the generator internal windings will eventually decrease the insulation resistance of these windings.

		<b>WARNING</b>
	Unintentional sparking can result in fire or electric shock.	
<b>WHEN ADJUSTING OR MAKING REPAIRS TO YOUR GENERATOR</b>		
<ul style="list-style-type: none"> <li>• Disconnect the spark plug wire from the spark plug and place the wire where it cannot contact spark plug.</li> </ul>		

### Generator Cleaning

- Use a damp cloth to wipe exterior surfaces clean.

<b>CAUTION</b>	
Improper treatment of generator can damage it and shorten its life.	
<ul style="list-style-type: none"> <li>• DO NOT expose generator to excessive moisture, dust, dirt, or corrosive vapors.</li> <li>• DO NOT insert any objects through cooling slots.</li> </ul>	

- Use a soft bristle brush to loosen caked on dirt or oil.
- Use a vacuum cleaner to pick up loose dirt and debris.
- Use low pressure air (not to exceed 25 psi) to blow away dirt. Inspect cooling air slots and opening on generator. These openings must be kept clean and unobstructed.



## STORAGE

The generator should be started at least once every seven days and allowed to run at least 30 minutes. If this cannot be done and you must store the unit for more than 30 days, use the following guidelines to prepare it for storage.

### Generator Storage

- Clean the generator as outlined in "Generator Cleaning".
- Check that cooling air slots and openings on generator are open and unobstructed.



### WARNING

Storage covers can be flammable.

- DO NOT place a storage cover over a hot generator.
- Let equipment cool for a sufficient time before placing the cover on the equipment.

### Engine Storage

See engine owner's manual for instructions.

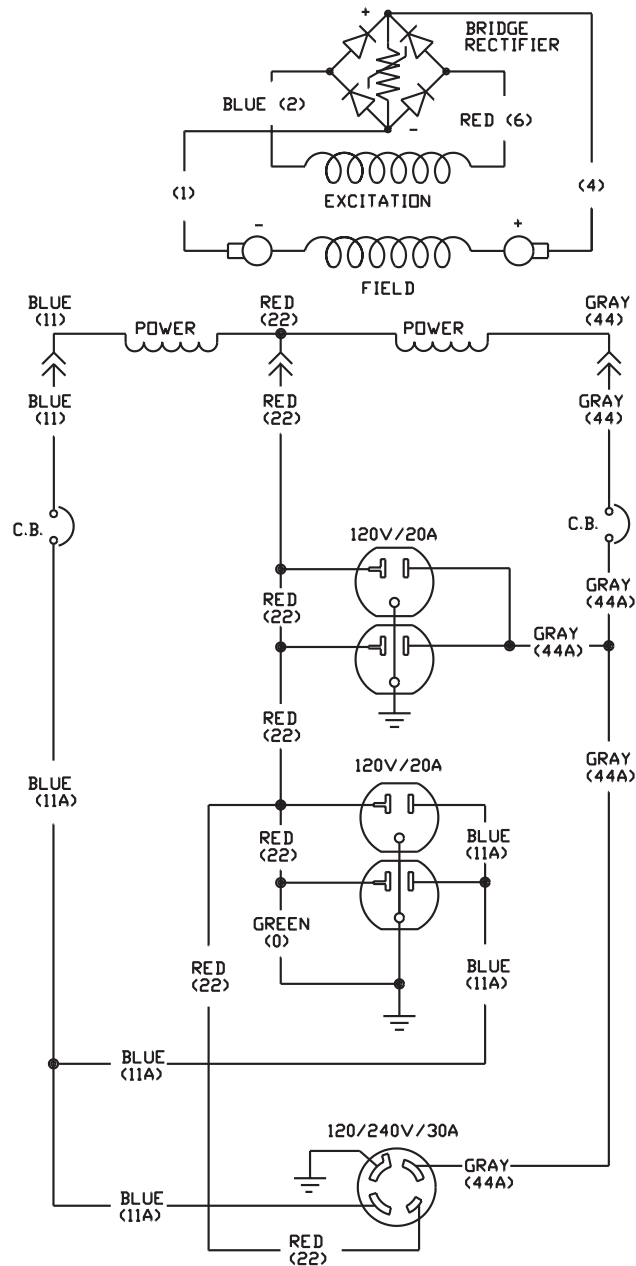
### Other Storage Tips

- To prevent gum from forming in fuel system or on essential carburetor parts, add fuel stabilizer into fuel tank and fill with fresh gasoline. Run the unit for several minutes to circulate the additive through the carburetor. The unit and fuel can then be stored for up to 24 months. Fuel stabilizer can be purchased locally.
- DO NOT store gasoline from one season to another unless it has been treated as described above.
- Replace fuel container if it starts to rust. Rust and/or dirt in fuel can cause problems if it's used with this unit.
- Store unit in a clean and dry area.

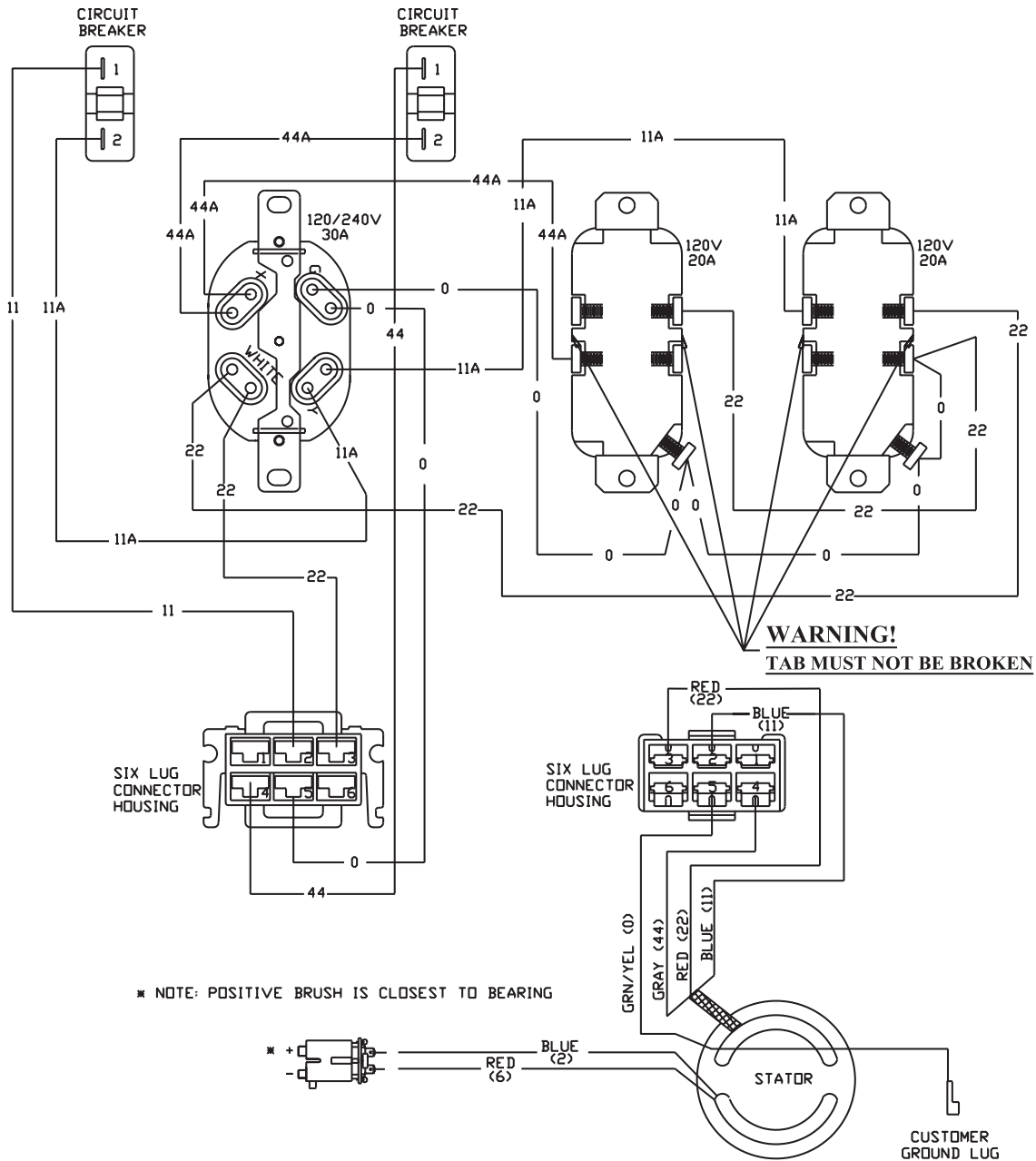
## TROUBLESHOOTING

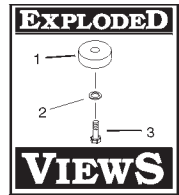
Problem	Cause	Correction
<b>No AC output is available, but generator is running.</b>	<ol style="list-style-type: none"> <li>1. One of the circuit breakers is open.</li> <li>2. Fault in generator.</li> <li>3. Poor connection or defective cord set.</li> <li>4. Connected device is bad.</li> </ol>	<ol style="list-style-type: none"> <li>1. Reset circuit breaker.</li> <li>2. Contact Authorized service facility.</li> <li>3. Check and repair.</li> <li>4. Connect another device that is in good condition.</li> </ol>
<b>Generator runs good at no-load but "bogs" down" when loads are connected.</b>	<ol style="list-style-type: none"> <li>1. Short circuit in a connected load.</li> <li>2. Generator is overloaded.</li> <li>3. Shorted generator circuit.</li> </ol>	<ol style="list-style-type: none"> <li>1. Disconnect shorted electrical load.</li> <li>2. See "Don't Overload Generator".</li> <li>3. Contact Authorized service facility.</li> </ol>
<b>Generator will not start; or starts and runs rough.</b>	Low oil level.	Fill crankcase to proper level or place generator on level surface.
<b>Generator shuts down during operation.</b>	<ol style="list-style-type: none"> <li>1. Out of fuel.</li> <li>2. Low oil level.</li> </ol>	<ol style="list-style-type: none"> <li>1. Fill fuel tank.</li> <li>2. Fill crankcase to proper level or place generator on level surface.</li> </ol>
<b>Generator lacks power.</b>	Load is too high.	See "Don't Overload Generator".

# SCHEMATIC

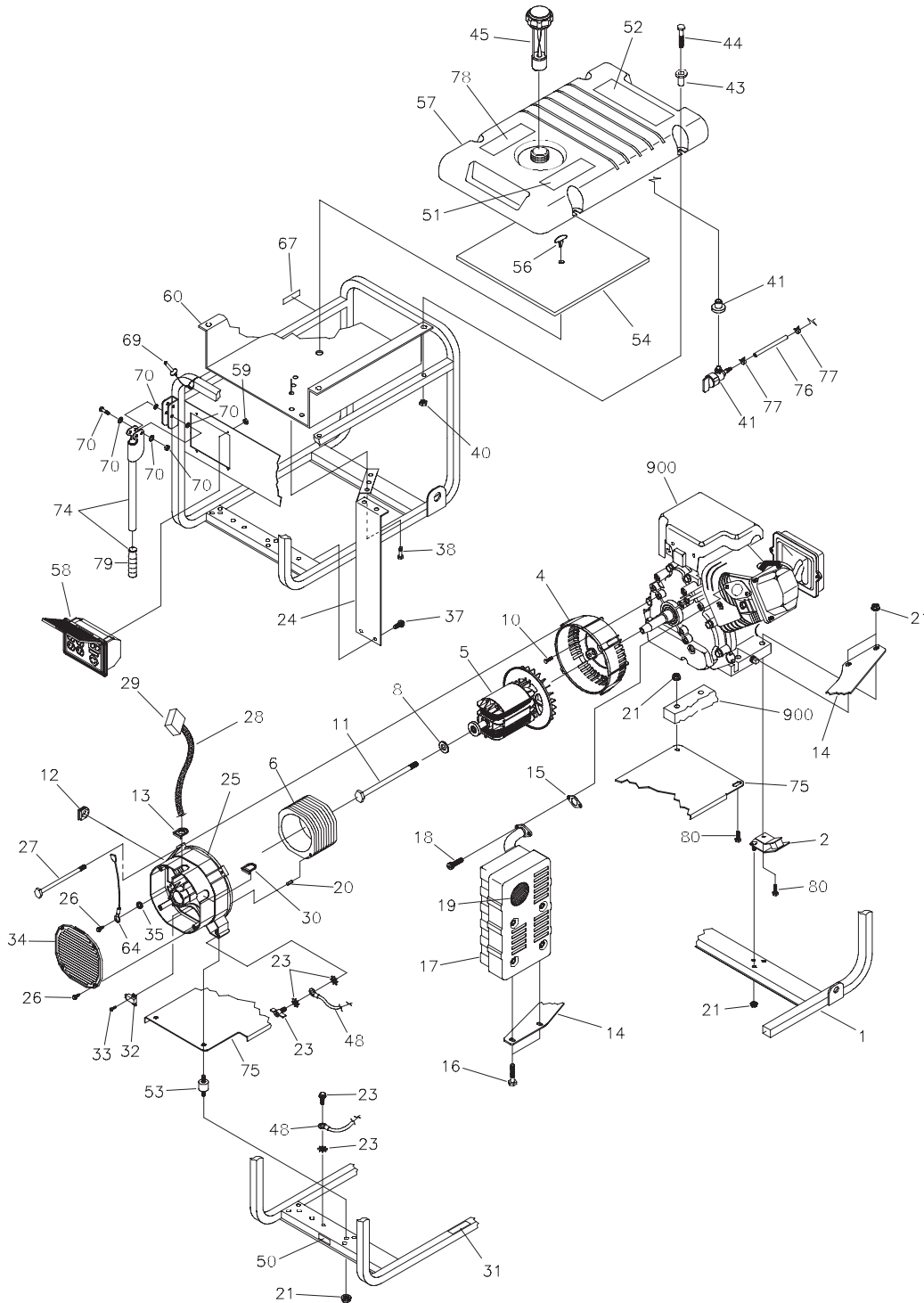


# WIRING DIAGRAM

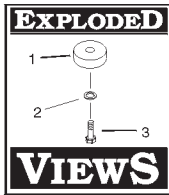




# EXPLODED VIEW – MAIN UNIT





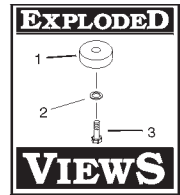


## PARTS LIST – MAIN UNIT

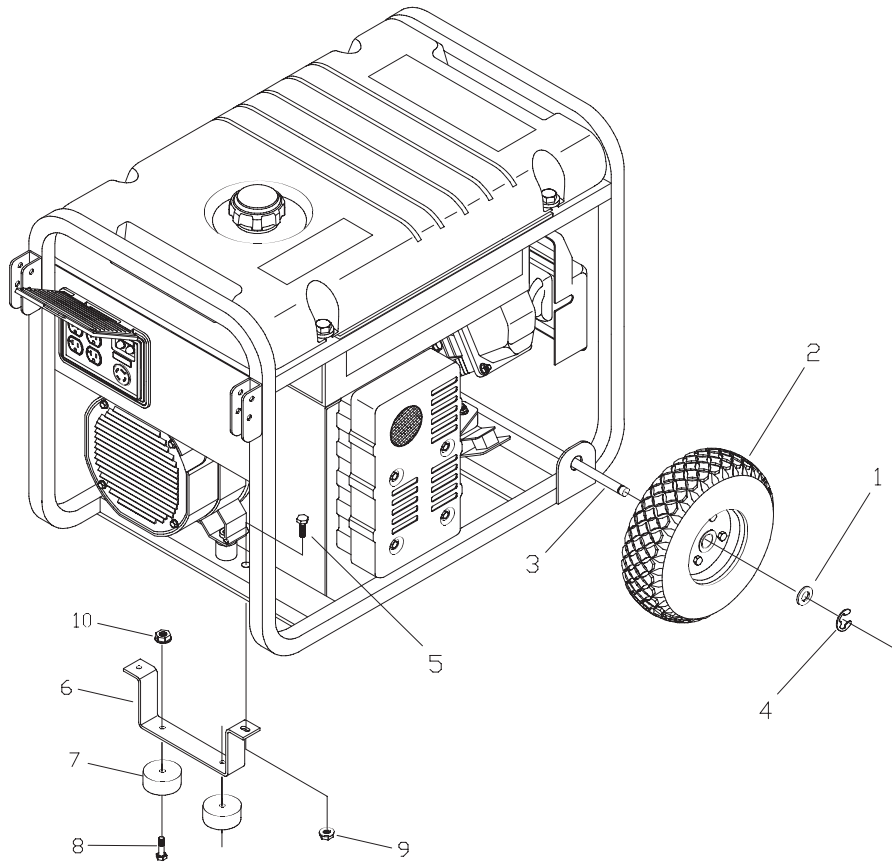
Item	Part #	Description	Item	Part #	Description
1	M190305GS	CRADLE	43	83465GS	GROMMET, Tank
2	70642GS	MOUNT, Vibration	44	78831BGS	SCREW
4	66365GGS	HOUSING, Engine Adapter	45	B4363GS	CAP, Fuel Gauge
5	187746GS	ASSY, Rotor	48	14353621GS	WIRE, Ground
6	187745GS	ASSY, Stator	50	B4986GS	DECAL, Ground, Green
8	96796GS	WASHER	51	92982GS	DECAL, Danger
10	86307GS	SCREW	52	189235GS	DECAL, Start Instructions
11	99383GS	SCREW	53	85652GS	MOUNT, Vibration
12	67022GS	GROMMET, Rubber	54	92665GS	INSULATION
13	189127GS	GROMMET, Rubber	56	85000GS	CLIP, Insulation
14	189009GS	BRACKET, Muffler	57	193500GS	ASSY, Tank, Fuel 7-Gallon (Includes Items 41, 51, 52 & 78)
15	695398	GASKET, Exhaust	58	189157GS	ASSY, Control Panel (see page 19)
16	66476GS	SCREW, w/Lock Washer	59	189164GS	NUT, Palnut
17	189008GS	MUFFLER	60	J92039GS	SHIELD, Heat
18	60706GS	SCREW	64	189521AGS	WIRE, Ground, Panel
19	83083GS	SCREEN, Spark Arrest	67	73054GS	DECAL, Fuel Shut-off
20	81917GS	PIN, Roll	69	B4135GS	PIN, with Lanyard
21	67989GS	NUT	70	194034GS	KIT, Fold Down Handle Hardware
23	193646GS	KIT, Grounding Hardware	74	B193200GS	ASSY, Handle (Includes Item 79)
24	194390GS	SHIELD, Heat	75	M190018GS	PLATE, Stiffener
25	SRV66825DGS	CARRIER, Rear Bearing	76	30340GS	HOSE, Fuel
26	74908GS	SCREW	77	48031CGS	CLAMP, Hose
27	86308AGS	BOLT	78	188333GS	DECAL, Instruction, Fuel Level
28	84409GS	SLEEVING, Flexo	79	189718GS	GRIP, Handle
29	22695GS	FASTEN, On Tab Housing 6P	80	84346GS	SCREW
30	84242GS	GROMMET, Plastic	900	NSP	ENGINE
31	77816GS	DECAL, Hot Muffler			
32	91825GS	ASSY, Brush Holder			
33	66849GS	SCREW			
34	B4871GS	COVER, Bearing Carrier			
35	23762GS	WASHER			
37	B2153GS	SCREW			
38	56893GS	SCREW			
40	77395GS	NUT, Lock			
41	192980GS	KIT, Valve, Fuel Tank			

### Parts Not Illustrated

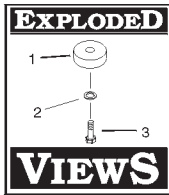
190313GS	MANUAL, Owner's
BB3061GS	BOTTLE, Oil
43438GS	PLUG, 250V, 30A
275092GS	MANUAL, Engine
B4177GS	CHARGER, Battery
193669GS	KIT, Decals



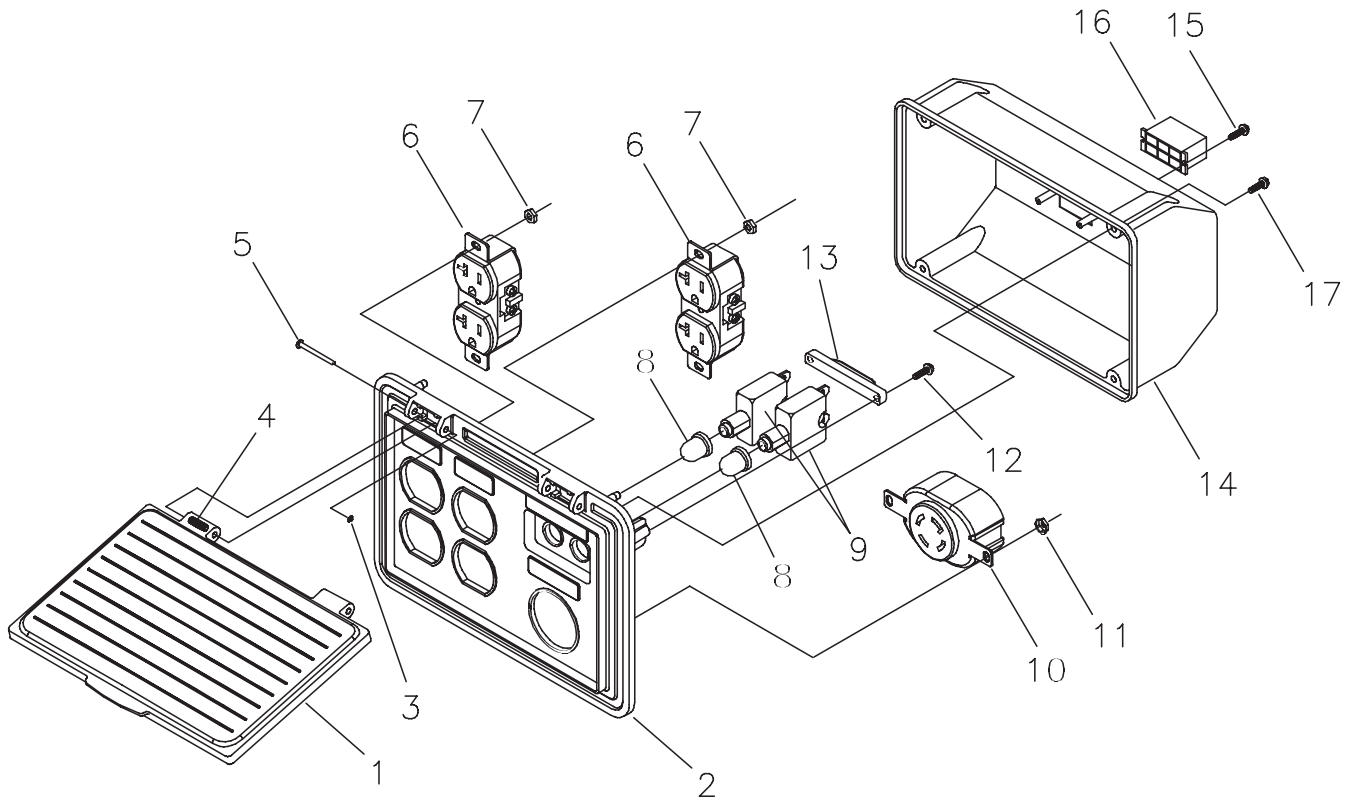
## EXPLODED VIEW AND PARTS LIST – WHEEL KIT



Item	Part #	Description
1	22247GS	WASHER
2	B4966GS	WHEEL
3	191267GGS	AXLE
4	191265GS	E-RING
5	39253GS	SCREW
6	B187101GS	LEG, Support
7	191413GS	VIBE MOUNT, with Washer
8	22413GS	SCREW
9	52858GS	NUT, Lock
10	192432GS	NUT, Lock



# EXPLODED VIEW AND PARTS LIST – CONTROL PANEL



Item	Part #	Description
1	188914GS	COVER, Lid, Control Panel
2	188889GS	CONTROL PANEL, Compact
3	189167GS	CLIP, Hinge Pin Retainer
4	189182GS	SPRING, Hinge, Pin
5	189166GS	PIN, Hinge, Cover, Compact
6	68759GS	OUTLET, 120V, 20A, Duplex
7	189165GS	NUT, Palnut, Pushnut
8	84198GS	CAP, Circuit Breaker
9	75207GS	BREAKER, Circuit
10	43437GS	OUTLET, 120/240V Locking, 30A
11	189164GS	NUT, Palnut, Pushnut
12	84543CGS	SCREW
13	93857GS	BAR, Retaining
14	188890GS	COVER, Back, Control Panel
15	82308GS	SCREW
16	22694GS	HOUSING, Receptacle
17	192241GS	SCREW

## SNAPPER™ OWNER WARRANTY POLICY Effective January 1, 2003

### LIMITED WARRANTY

"This Snapper™ product is distributed under license to Briggs & Stratton Power Products. Briggs & Stratton Power Products will repair or replace, free of charge, any part, or parts of the equipment\*\* that are defective in material or workmanship or both. Transportation charges on parts submitted for repair or replacement under this warranty must be borne by purchaser. This warranty is effective for the time periods and subject to the conditions provided for in this policy. For warranty service, find your nearest Authorized service dealer by calling 1-800-317-7833. Warranty service may only be performed by a Briggs & Stratton Power Products Authorized service dealer.

THERE IS NO OTHER EXPRESS WARRANTY. IMPLIED WARRANTIES, INCLUDING THOSE OF MERCHANTABILITY AND FITNESS FOR A PARTICULAR PURPOSE, ARE LIMITED TO THE TIME PERIOD SPECIFIED, OR TO THE EXTENT PERMITTED BY LAW. ANY AND ALL IMPLIED WARRANTIES ARE EXCLUDED. LIABILITY FOR CONSEQUENTIAL DAMAGES UNDER ANY AND ALL WARRANTIES ARE EXCLUDED TO THE EXTENT EXCLUSION IS PERMITTED BY LAW. Some countries or states do not allow limitations on how long an implied warranty lasts, and some countries or states do not allow the exclusion or limitation of incidental or consequential damages, so the above limitation and exclusion may not apply to you. This warranty gives you specific legal rights and you may also have other rights that vary from country to country or state to state."

### WARRANTY PERIOD\*

PRODUCTS**	CONSUMER USE	COMMERCIAL USE	FACTORY RECONDITIONED UNITS
Portable Generator (Side Valve Engine Powered)	1 year	90 days	90 days
Portable Generator (Overhead Valve Engine Powered)	2 years (2nd year parts only)	1 year	90 days
Gasoline Powered Pressure Washer	1 year	90 days	90 days

\* The warranty period begins on the date of purchase by the first retail consumer or commercial end user, and continues for the period of time stated in the table above. "Consumer use" means personal residential household use by a retail consumer.

"Commercial use" means all other uses, including use for commercial, income producing or rental purposes. Once equipment has been used commercially, it shall thereafter be considered to be in commercial use for purposes of this warranty.

\*\* The engine and starting batteries are warranted solely by the manufacturers of those products.

WARRANTY REGISTRATION IS NOT NECESSARY TO OBTAIN WARRANTY ON BRIGGS & STRATTON POWER PRODUCTS EQUIPMENT. SAVE YOUR PROOF OF PURCHASE RECEIPT. IF YOU DO NOT PROVIDE PROOF OF THE INITIAL PURCHASE DATE AT THE TIME WARRANTY SERVICE IS REQUESTED, THE MANUFACTURING DATE OF THE EQUIPMENT WILL BE USED TO DETERMINE THE WARRANTY PERIOD.

#### About your equipment warranty:

We welcome warranty repair and apologize to you for being inconvenienced. Any Authorized service dealer may perform warranty repairs. Most warranty repairs are handled routinely, but sometimes requests for warranty service may not be appropriate. For example, warranty service would not apply if equipment damage occurred because of misuse, lack of routine maintenance, shipping, handling, warehousing or improper installation. Similarly, the warranty is void if the manufacturing date or the serial number on the equipment has been removed or the equipment has been altered or modified. During the warranty period, the Authorized service dealer, at its option, will repair or replace any part that, upon examination, is found to be defective under normal use and service. This warranty will not cover following repairs and equipment:

- **Normal Wear:** Outdoor power equipment, like all mechanical devices, needs periodic parts, service and replacement to perform well. This warranty does not cover repair when normal use has exhausted the life of a part or the equipment.
- **Installation and Maintenance:** This warranty does not apply to equipment or parts that have been subjected to improper or unauthorized installation or alteration and modification, misuse, negligence, accident, overloading, overspeeding, improper maintenance, repair or storage so as, in our judgment, to adversely affect its performance and reliability. This warranty also does not cover normal maintenance such as adjustments, fuel system cleaning and obstruction (due to chemical, dirt, carbon or lime, etc.).
- **Other Exclusions:** Also excluded from this warranty are wear items such as quick couplers, oil gauges, belts, o-rings, filters, pump packing, etc., pumps which have been run without water supplied or damage or malfunctions resulting from accidents, abuse, modifications, alterations, or improper servicing or freezing or chemical deterioration. Accessory parts such as guns, hoses, wands and nozzles are excluded from the product warranty. Also excluded is used, reconditioned, and demonstration equipment; equipment used for prime power in place of utility power and equipment used in life support applications.

**BRIGGS & STRATTON POWER PRODUCTS GROUP, LLC**

**JEFFERSON, WISCONSIN, U.S.A.**

## Free Manuals Download Website

<http://myh66.com>

<http://usermanuals.us>

<http://www.somanuals.com>

<http://www.4manuals.cc>

<http://www.manual-lib.com>

<http://www.404manual.com>

<http://www.luxmanual.com>

<http://aubethermostatmanual.com>

Golf course search by state

<http://golfingnear.com>

Email search by domain

<http://emailbydomain.com>

Auto manuals search

<http://auto.somanuals.com>

TV manuals search

<http://tv.somanuals.com>