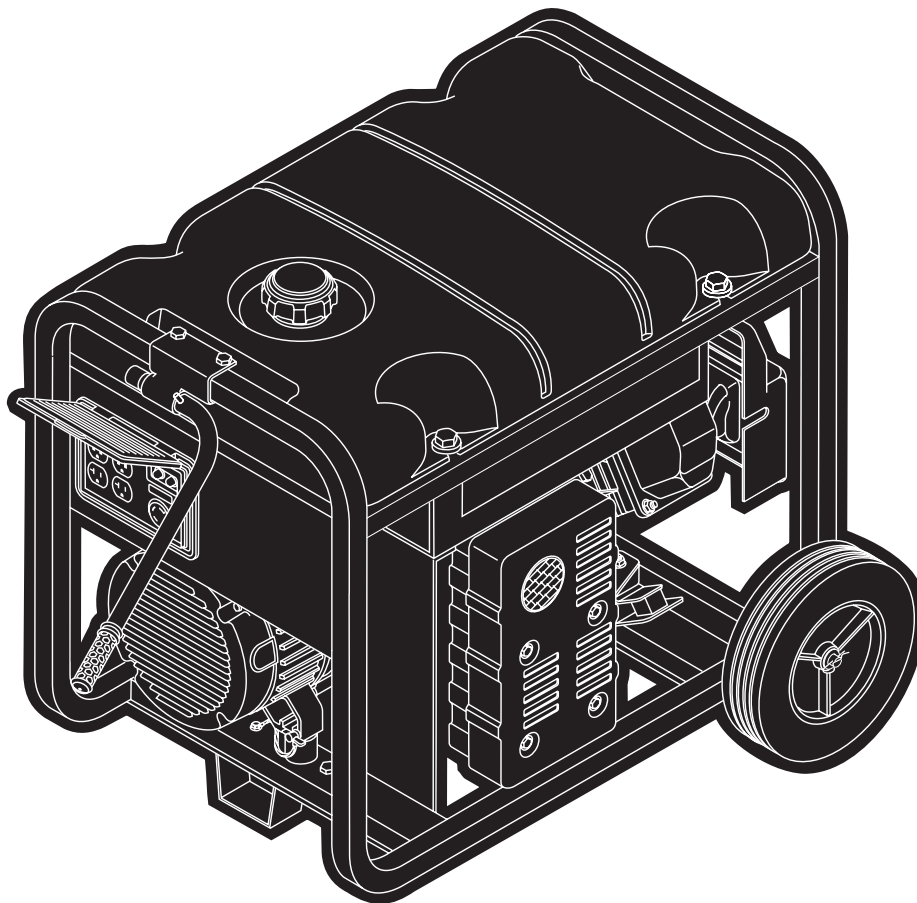


SNAPPER™

3500 Watt Generator

Illustrated Parts List

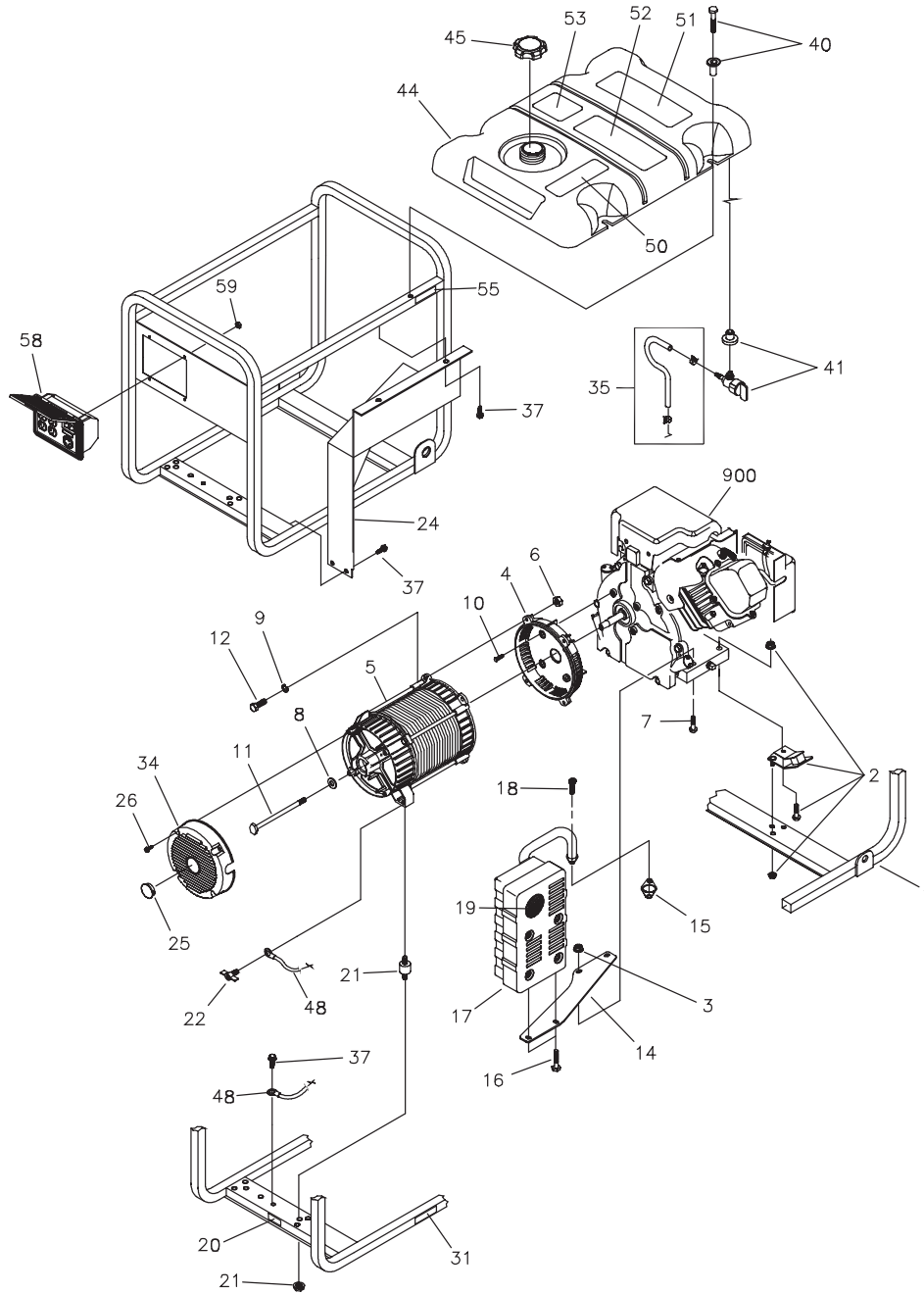


Snapper™ is a licensed trademark of Briggs & Stratton Power Products.

BRIGGS & STRATTON POWER PRODUCTS GROUP, LLC
JEFFERSON, WISCONSIN, U.S.A.

Model No. 030214 (3500 Watt AC Generator) Manual No. 195605A Revision D (09/05/2007)

EXPLODED VIEW - MAIN UNIT



Copyright © 2007 Briggs & Stratton Power Products Group, LLC. All rights reserved. No part of this material may be reproduced or transmitted in any form by any means without the express written permission of Briggs & Stratton Power Products Group, LLC.

EXPLODED VIEW - PARTS LIST

Item	Part #	Description	Item	Part #	Description
1	M194779GS	CRADLE (Includes #'s 20, 31 & 55)	40	194398GS	KIT, Fuel Tank Hardware (Includes Qty 4)
2	194150GS	KIT, Vibration Mount	41	192980GS	KIT, Valve, Tank
3	67989GS	NUT, M8 Flange Serrated	44	193645GS	ASSY., Tank, Fuel Service (Includes #41, 50, 51, 52 & 53)
4	186058AGS	HOUSING, Engine Adapter	45	200095GS	CAP, Fuel
5	NSP	ASSY, Alternator (see page 4)	48	195373GS	WIRE, Ground
6	*	NUT, Hex, M8 - 1.25	50	188333GS	DECAL, Fuel Level
7	*	TPHMS, M8 - 1.25 x 35	51	194799GS	DECAL, Danger
8	96796GS	WASHER, 8.4 x 22.2 x 3	52	189235GS	DECAL, Operating Instructions
9	*	WASHER, 5/16 - M8 Lock	53	202997GS	DECAL, Warning, CO
10	86307GS	HHCS, 5/16-24 x 3/4, SEMS	55	197798GS	DECAL, Fuel Shut Off
11	24823GS	HHCS, 5/16-24 x 7-7/8"	58	191743AGS	ASSY, Control Panel
12	*	HHCS, M8 - 1.25 x 25	59	*	NUT, Palnut, 3/16"
14	191785GS	BRACKET, Muffler	900	§	ENGINE
15	697815	GASKET, Exhaust			
16	*	HHCS, M6 - 1.0 x 12			
17	188301GS	MUFFLER			
18	*	SHCS, M6 - 1.0 x 20			
19	83083GS	SCREEN, Spark Arrest			
20	B4986GS	DECAL, Ground			
21	194153GS	KIT, Vibration Mount			
22	86494GS	SCREW, Wing M6 - 1.0 x 16			
24	191790GS	SHIELD, Heat			
25	191190GS	CAP			
26	74908GS	TAPTITE, M5-0.8 x 10 Lg.			
31	196830GS	DECAL, Warning Exhaust			
34	195422GS	COVER, RBC, Plastic w/Cap			
35	195207GS	KIT, Hose Formed			
37	B2153GS	HHCS, 12 - 14 x 7/8" Self-Driller			

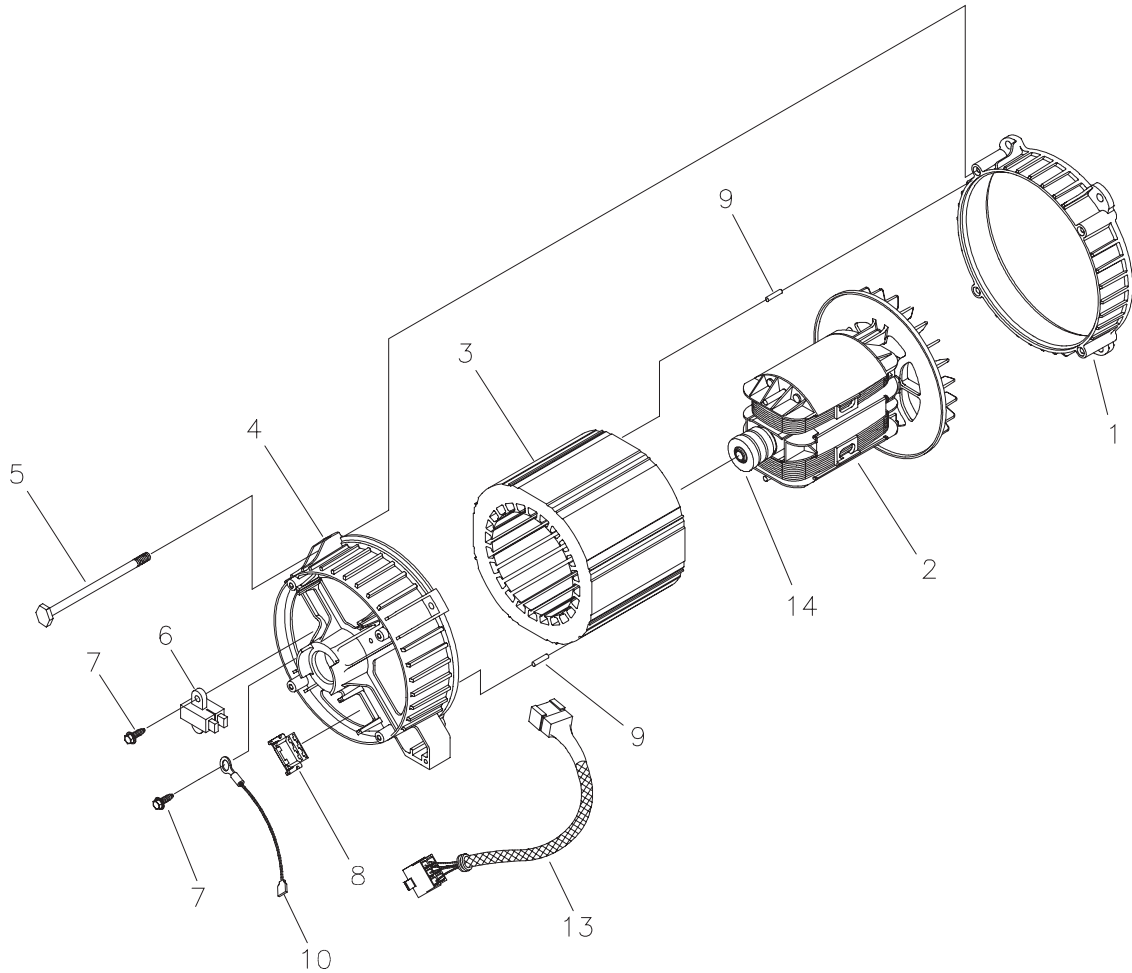
Parts Not Illustrated

195605GS	MANUAL, Operator's
MS3430	MANUAL, Engine
BB3061BGS	BOTTLE, Oil
195639GS	KIT, Decals, Service

* - Items without part numbers are common fasteners and are available at your local hardware store.

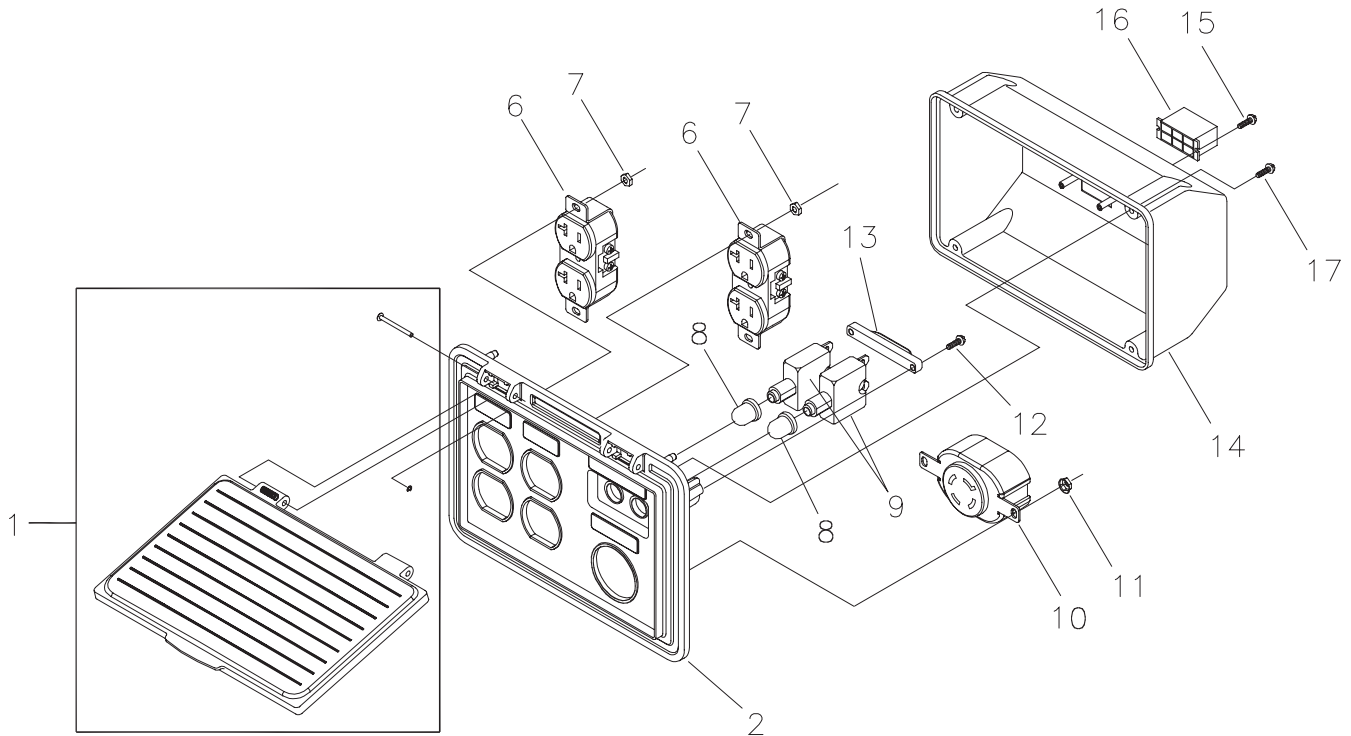
§ - Contact Engine Manufacturer

EXPLODED VIEW AND PARTS LIST - ALTERNATOR



Item	Part #	Description
1	186059GS	ADAPTER, Mounting, Alternator
2	191685GS	ROTOR
3	191686AGS	STATOR
4	186060GS	RBC, with O-Ring (p/n 189197GS)
5	86308GS	HHCS, M6 - 1.0 x 115 SEMS
6	91825GS	ASSEMBLY, Holder, Rectifier/Brush
7	66849GS	TAPTITE, M5 - 0.8 x 16
8	22694GS	RECEPTACLE, 6 pin
9	81917GS	PIN, Roll, 4mm x 10
10	193428AGS	WIRE-A, Ground
13	194274GS	HARNESS, Wire, Power
14	65791GS	BEARING

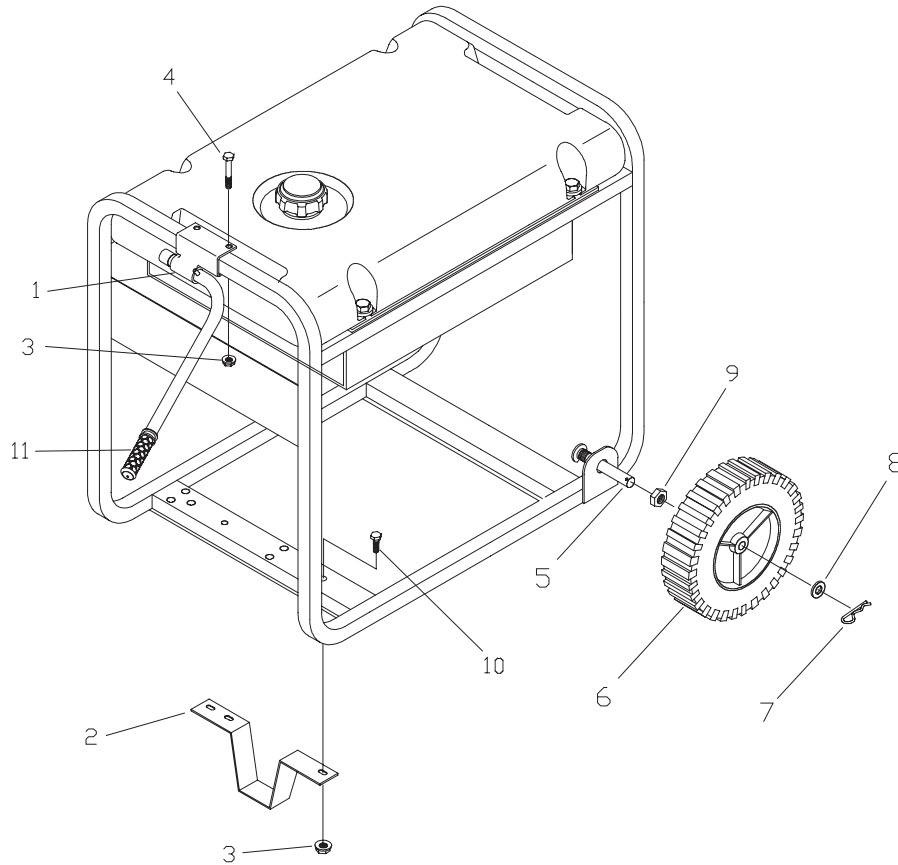
EXPLODED VIEW AND PARTS LIST - CONTROL PANEL



Item	Part #	Description
1	195112GS	KIT, Cover Control Panel
2	188889AGS	CONTROL PANEL, Compact
6	68759GS	OUTLET, 120V, 20Amp, Duplex
7	*	NUT, Palnut, Pushnut, 5/32
8	84198GS	CAP, Circuit Breaker
9	75207DGS	CIRCUIT BREAKER
10	68867GS	OUTLET, 120/240 Locking, 20A
11	*	NUT, Palnut, Pushnut, 3/16
12	*	PPPHS, M3 - 0.5 x 18
13	93857GS	BAR, Retaining
14	188890GS	COVER, Back, Control Panel
15	*	SCREW, 3 x 18, Tapping
16	22694GS	HOUSING, Receptacle
17	*	SCREW, 3.5 x 14, Tapping

* - Items without part numbers are common fasteners and are available at your local hardware store.

EXPLODED VIEW AND PARTS LIST - WHEEL KIT



Item	Part #	Description
1	189715GS	ASSY, Handle w/Grip
2	94034GS	LEG, Mounting
3	67989GS	NUT, M8 Flange Serrated
4	*	HHCS, M8 - 1.25 x 45
5	93728GS	AXLE
6	197061GS	WHEEL
7	87005AGS	PIN
8	*	WASHER, Flat M12
9	94222QGS	NUT, 5/8 - 18 Jam Lock
10	*	HHCS, M8 - 1.25 x 20
11	189718GS	GRIP, Handle

Part Not Illustrated

191932GS SUBKIT, Hardware

* - Items without part numbers are common fasteners and are available at your local hardware store.

Free Manuals Download Website

<http://myh66.com>

<http://usermanuals.us>

<http://www.somanuals.com>

<http://www.4manuals.cc>

<http://www.manual-lib.com>

<http://www.404manual.com>

<http://www.luxmanual.com>

<http://aubethermostatmanual.com>

Golf course search by state

<http://golfingnear.com>

Email search by domain

<http://emailbydomain.com>

Auto manuals search

<http://auto.somanuals.com>

TV manuals search

<http://tv.somanuals.com>