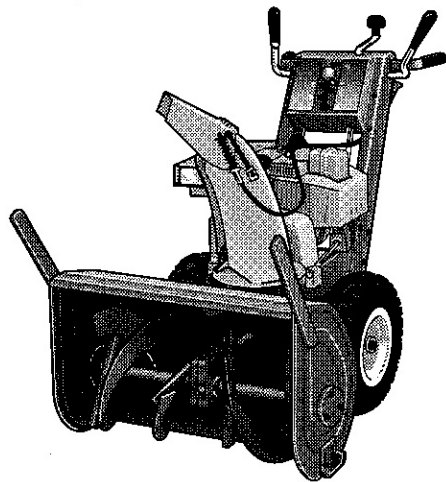


LARGE FRAME SNOWTHROWERS

with Power Boost

Sno-Away 870
Sno-Away 1080

560S
870S
1080S



PARTS MANUAL

Product Identification:

When ordering parts, keep your products serial number and manufacturer's number in mind. Variations may occur in a part between early & later model products, causing the product serial number to be listed in the parts description whenever these variations occur.

Record your I.D. numbers here for quick, future reference.

Product Mfg. No. _____ S/N _____ Mower Mfg. No. _____ S/N _____

Attention:

Standard torques appear in a chart at the end of the manual, while important individual torques are given on specific parts drawings.

CRITICAL and MAJOR notations point out important facts or instructions which relate to personal safety and proper machine operation. Any CRITICAL notation **(C)** which may appear in this book, pinpoints characteristics which, if not properly followed, can create a safety hazard. Any MAJOR notation **(M)** which may appear in this book, marks characteristics which, if not properly followed, may result in operating failure, shortened product life, or greatly reduced quality of the unit. For your convenience, assembly notes are included in parts drawings to assist in repair and assembly of unit.

SIMPLICITY BRAND PRODUCTS

OILS - SPECIFICALLY BLENDED OF HIGH QUALITY BASE OILS & ADDITIVES.

Special Worm Gear Oil: Required for protection of brass gears and mating parts.

- **Cold Weather Worm Gear Oil** for snowthrowers with worm gear drive. 8 Oz. Bottle, Part #1704636, Case of 12-8 Oz. Bottles, Part #1685406.

Multi-Purpose Hydraulic/Transmission Oil for use in most hydraulic applications, and hydrostatic transmissions. Specific Simplicity applications: All hydrostatic transmissions, all bevel gear cases. Case of 12 Quarts, Part #1685516, 2-1/2 Gallon Container, Part #1685539.

SAE 5W-30 SF/CD Cold Weather Engine Oil for use in all four cycle and diesel engines at 30° temp. and under. Case of 12 quarts, Part #1685576.

SAE 15W-40 SF/CD Engine Oil for gas and diesel engines, warm weather; see engine manufacturer recommendations. Case of 12 quarts, Part #1685554.

SAE 30W SG/CC Detergent Engine Oil for use in four cycle lawn and garden engines at operating temp. of 32° and above. Also recommended for use in hydrostatic transmissions where 30W oil is specified. Case of 12 quarts, Part #1685659.

DEGREASER, DEGRIMER, PARTS CLEANER removes grease, oil, dirt and grime without harming paint or decals.

1 Quart w/Trigger Spray	1685619
1 Gallon Bottle	1685621
Extension Sprayer for Gallon Bottle	1685623

TOUCH-UP PAINT keeps equipment in showroom condition.

Spray Cans	Quarts	Daubers-12 Per Ctn.
<i>For Products Built After 8/1/89.</i>		
"Deep Orange" 13 Oz. Can 1685611 Case 12 Cans 1685614	1685612	1685616 Mixed 6 Deep Or., 6 White 1/2 Oz. Bottles
"Gloss Black" 13 Oz. Can 1685639 Case 12 Cans 1685640	1685641	N/A
"White" 13 Oz. Can 103049 Case 12 Cans 1685178	1685032	See Above

Consult decal on equipment for proper color.

AVAILABLE ACCESSORIES:

DESIGNER SEAT COVERS are double stitched, easy care vinyl. Keeps new seats new, makes worn seats look new.

Small Seat Cover w/Pocket, Part #1685540. Fits all Rear Engine Riders, FC, RT Series Tractors.

Large Seat Cover w/Pocket, Part #1685541. Fits all 12.5 & 16 LT and GT Series Tractors.

Seat Cover, Part #1685577. Fits all 18 & 20 GTH Tractors.

PNEUMATIC TIRE SEAL seals all leaks including bead leaks and punctures up to 3/16 inch diameters. Prevents flats for tread life of tire. Available in following amounts.

Case of 12 -11 Oz. Tubes	1685537
Case of 24 -11 Oz. Tubes	1685525
5 Gallon Pail	1685527

HOUR METER KIT, Part #1685510.

GREASE GUN KIT has 12" flexible hose to get into tight spots with ease. Kit contains: gun and 1-8 Oz. tube of grease. Part #1685510. For replacement tube, order Part #103077.

CHROME "Moon" Hubcaps

4" Rim	163114
6" Rim	158210
8" Rim	156211
10" Rim	1667782
12" Rim	154505

**Extend Equipment Life - Use Only Genuine Simplicity Parts & Accessories
Available at Your Local Simplicity Dealer**

Table of Contents

ENGINE & FRAME GROUP	2
HANDLE & CONTROL GROUP (Mfg. Nos. 1691774, 1691775, 1691776, 1691779)	6
HANDLE & CONTROL GROUP (Mfg. Nos. 1691898, 1691899, 1691947, 1691948)	10
TRACTION DRIVE GROUP	14
AUGER HOUSING & CHUTE GROUP	16
AUGER DRIVE GROUP	18
TIRE & WHEEL GROUP	20
HEADLIGHT KIT (Mfg. No. 1685459, 1691827)	20
HEADLIGHT GROUP	22
DRIFT CUTTER KIT (Mfg. No. 1685189)	22
DECAL GROUP	24
THE "PROTECTOR" [®] SNOW CAB (Mfg. No. 1690681)	26
12 VOLT STARTER (Mfg. No. 1691724)	28
TORQUE SPECIFICATION CHART	Inside Back Cover

Included in this parts book are the following Manufacturer's Numbers:

SNOWTHROWERS	ACCESSORIES
SNO-AWAY 1080 SNOWTHROWER MFG. NO. 1691899 (Export) MFG. NO. 1691948	HEADLIGHT KIT MFG. NOS. 1685459, 1691827
SNO-AWAY 870 SNOWTHROWER MFG. NO. 1691898 (Export) MFG. NO. 1691947	THE "PROTECTOR" SNOW CAB MFG. NO. 1690681
MODEL 1080S SNOWTHROWER MFG. NO. 1691776 (Export) MFG. NO. 1691779 MFG. NO. 1691899 (Export) MFG. NO. 1691948	DRIFT CUTTERS MFG. NO. 1685189
MODEL 870S SNOWTHROWER MFG. NO. 1691775 MFG. NO. 1691898 (Export) MFG. NO. 1691947	12 VOLT STARTER MFG. NOS. 1691724, 1685459
MODEL 560S SNOWTHROWER MFG. NO. 1691774	*5 HP ELECTRIC STARTER (Tecumseh Engine) MFG. NO. 1690384
	*8 & 10 HP ELECTRIC STARTER (Tecumseh Engine) MFG. NO. 1690385

*Order wholegoods number and see your local Tecumseh dealer for parts and service.

Inside surface of Ref. No. 51 & exterior surface of Ref. No. 50 must have light coating of oil over contacting surfaces.

Use "0" to "3" washers between items 19 & 20 as needed to assure a centered belt (Ref. No. 26) and no interference between pulleys (Ref. Nos. 9 & 18).

Wick must be saturated with lubricating oil.

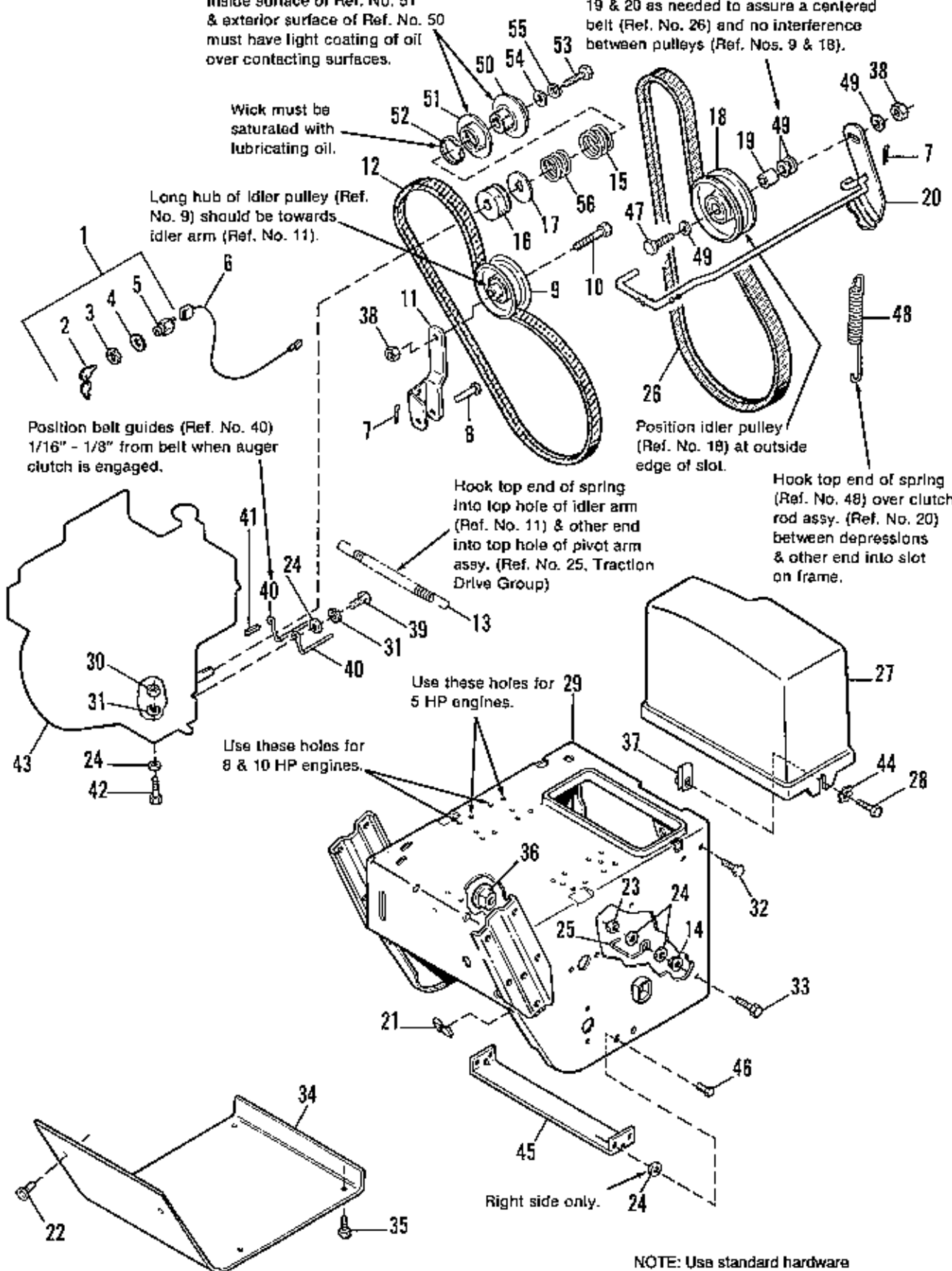
Long hub of idler pulley (Ref. No. 9) should be towards idler arm (Ref. No. 11).

Position belt guides (Ref. No. 40) 1/16" - 1/8" from belt when auger clutch is engaged.

Position idler pulley (Ref. No. 18) at outside edge of slot.

Hook top end of spring into top hole of idler arm (Ref. No. 11) & other end into top hole of pivot arm assy. (Ref. No. 25, Traction Drive Group)

Hook top end of spring (Ref. No. 48) over clutch rod assy. (Ref. No. 20) between depressions & other end into slot on frame.



NOTE: Use standard hardware torque spec. chart unless otherwise noted.

Ref. No.	Part No.	Qty.	Description
1	177163	1	SWITCH, Key (Inc. Ref. Nos. 2, 3, 4 & 5)
2	122203	1	KEYS
3	122234	1	NUT, Hex, 5/8-32
4	918906	1	LOCKWASHER, Int. 5/8
5		1	SWITCH (See Ref No. 1)
6	1667700	1	WIRE, Ground
7	1918451	2	PIN, Cotter, 1/8 x 3/4
8	1665994	1	PIN
9	1668477	1	PULLEY, Idler
10	1921968	1	CAPSCREW, Hex Hd., 3/8-16 x 1-3/8
11	1703046	1	ARM, Idler, Traction
12	1672732	1	BELT, Traction
13	1672735	1	SPRING, Idler
14	1927557	4	NUT, Hex, Whizlock, 5/16-18
15	1702425	1	SPRING, Compression (all models except 1691774)
16	1701783	1	PULLEY, Traction
17	1701818	1	WASHER, Thrust
18	1708030	1	PULLEY ASSY.
19	157081	1	SPACER
20	1612200	1	CLUTCH ROD & BRAKE ASSY.
21	1926018	6	NUT, Speed, 1/4-20
22	1927429	2	SCREW, Tapite, 1/4-20 x 5/8
23	1923362	2	NUT, Hex, Centerlock, 5/16-18
24	1919326	7	WASHER, 11/32 x 3/4
25	1702969	2	BELT GUIDE
26	1701257	1	BELT, Auger Drive
27	1667516	1	GUARD, Belt
28	1918249	2	SCREW, Truss Hd., 5/16-18 x 3/4
29	1612457	1	FRAME, Main (1691774 Only)
	1612458	1	FRAME, Main (all models except 1691774)

See pages 4 & 5 for Ref. Nos. 30-58

NOTE: Use Simplicity SAE-5W-30 Cold Weather Engine Oil, Part #1685518 (12 qts./case).

Inside surface of Ref. No. 51 & exterior surface of Ref. No. 50 must have light coating of oil over contacting surfaces.

Use "0" to "3" washers between items 19 & 20 as needed to assure a centered belt (Ref. No. 26) and no interference between pulleys (Ref. Nos. 9 & 18).

Wick must be saturated with lubricating oil.

Long hub of Idler pulley (Ref. No. 9) should be towards idler arm (Ref. No. 11).

Position belt guides (Ref. No. 40) 1/16" - 1/8" from belt when auger clutch is engaged.

Position idler pulley (Ref. No. 18) at outside edge of slot.

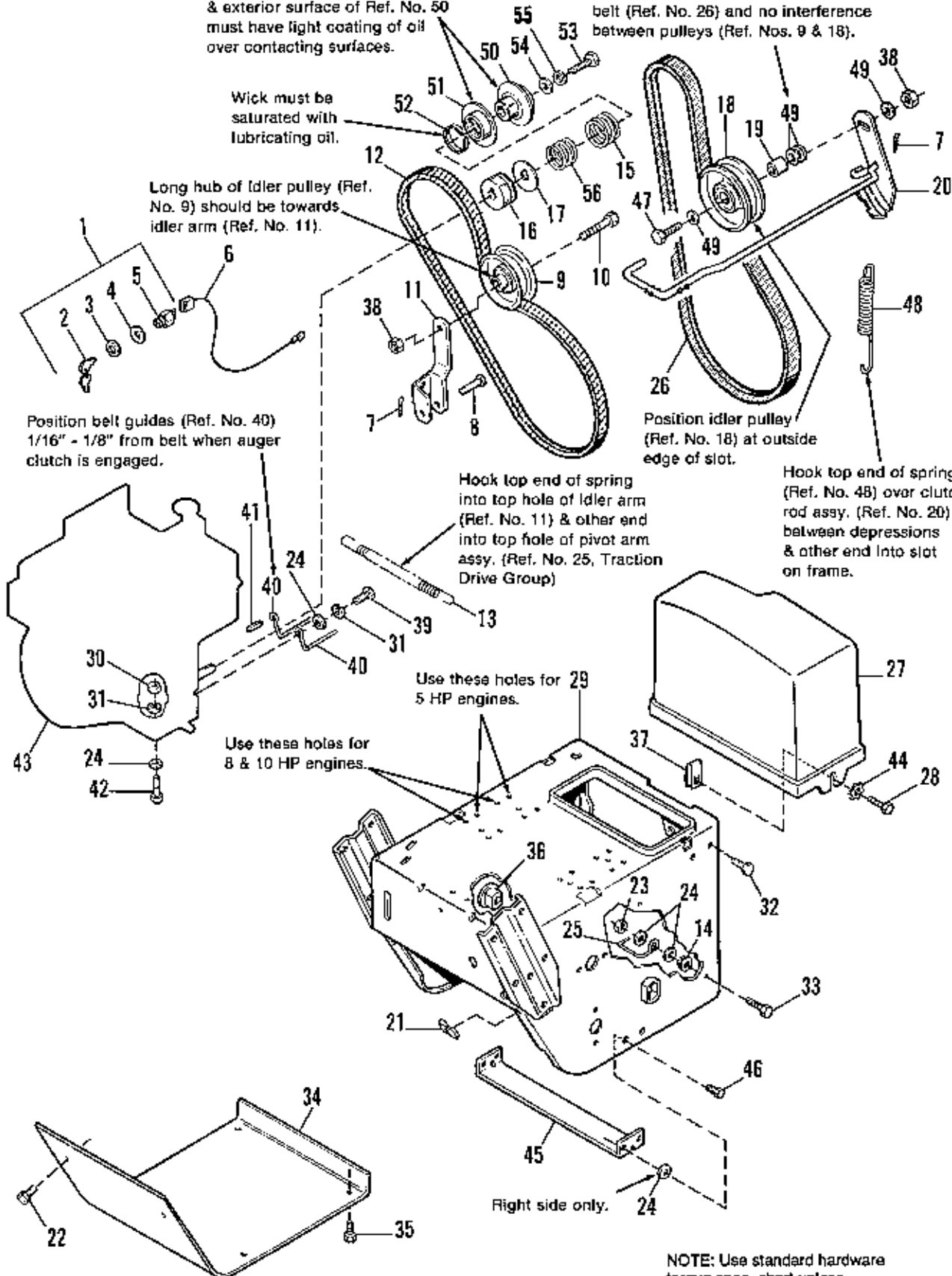
Hook top end of spring (Ref. No. 11) & other end into top hole of pivot arm Assy. (Ref. No. 25, Traction Drive Group)

Hook top end of spring (Ref. No. 48) over clutch rod Assy. (Ref. No. 20) between depressions & other end into slot on frame.

Use these holes for 5 HP engines.

Use these holes for 8 & 10 HP engines.

NOTE: Use standard hardware torque spec. chart unless otherwise noted.

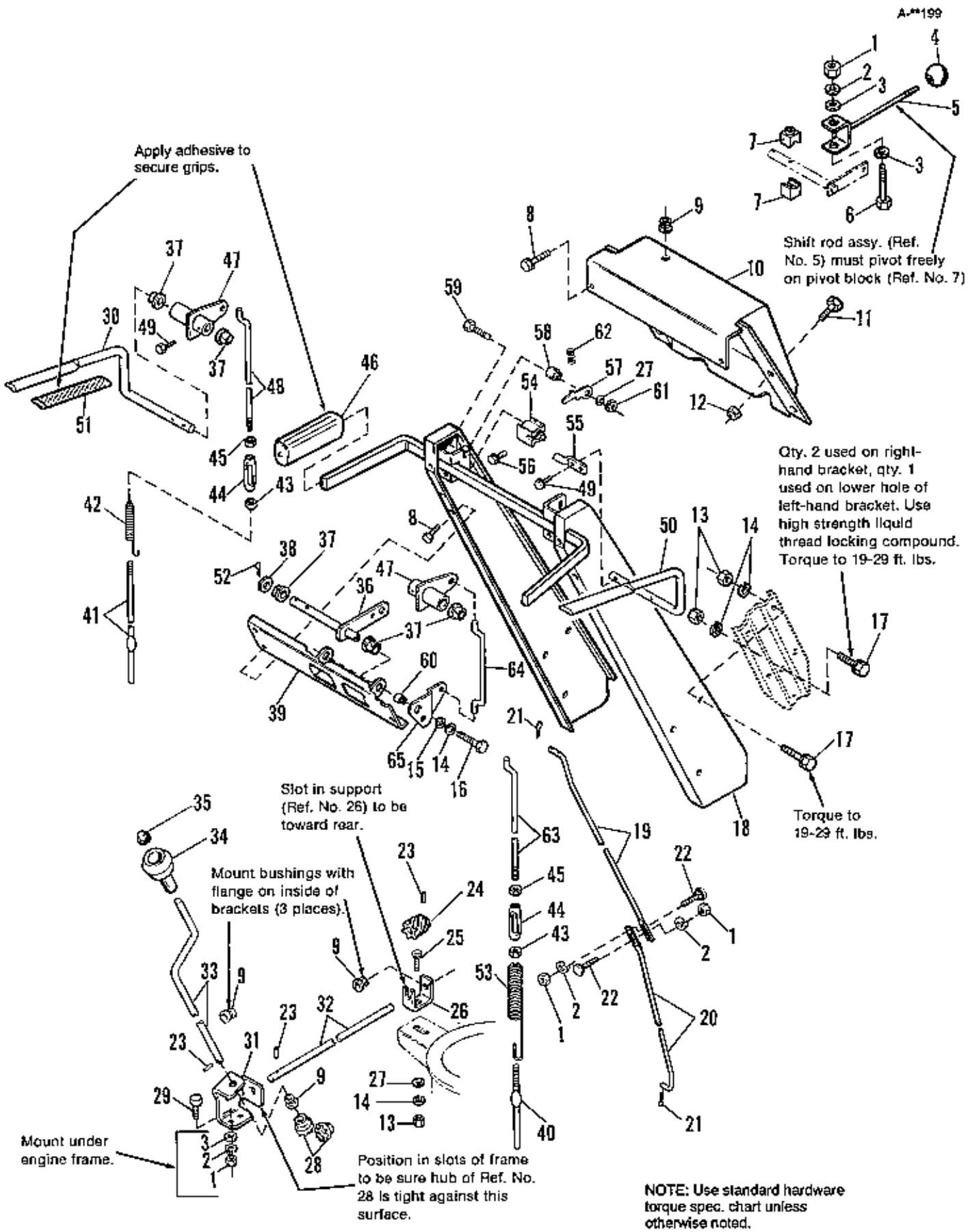


Ref. No.	Part No.	Qty.	Description
30	1931277	4	NUT, Hex, 5/16-18
31	1917356	6	LOCKWASHER, 5/16
32	1930591	4	CAPSCREW, Whizlock, 5/16-18 x 3/4
33	1930595	2	CAPSCREW, Whizlock, 5/16-18 x 1-1/4
34	1666374	1	COVER, Bottom
35	1927428	4	SCREW, Taptite, 1/4-20 x 3/8
36	1666001	2	BUSHING, Axle
37	935255	2	NUT, Speed, 5/16-18
38	1928731	2	LOCKNUT, Jam, 3/8-16
39	1921515	2	CAPSCREW, Hex. Hd., 5/16-24 x 3/4
40	1702970	2	BELT GUIDE
41	1672129	1	KEY, Parallel, 3/16 x 13/16 x 7/8
42	1922127	4	CAPSCREW, Hex Hd., 5/16-18 x 2
43	• See Note Below	1	ENGINE, Tecumseh, 5 H.P.
		1	ENGINE, Tecumseh, 8 H.P. (with manual start & light coil)
		1	ENGINE, Tecumseh, 10 H.P. (with manual start & light coil)
		1	ENGINE, Tecumseh, 10 H.P. (with 7 amp charge circuit)
44	920426	2	LOCKWASHER, Ext. Tooth, 5/16
45	1669198	1	SUPPORT, Tie Bar
46	1664847	4	SCREW, Taptite, 5/16-18 x 3/8 (left side only)
47	1921971	1	CAPSCREW, Hex Hd., 3/8-16 x 1-3/4
48	1701595	1	SPRING, Extension
49	1924940	3	WASHER, Flat, 13/32
50	1701776	1	PULLEY, Half, Drive
51	1702017	1	PULLEY, Half
52	1685366	1	WICK, Oil
53	1960345	1	CAPSCREW, Hex Hd., 3/8-24 x 2
54	1922755	1	WASHER, 13/32 x 1
55	1916965	1	LOCKWASHER, Spring, 3/8
56	1702979	1	SPRING, Compression (1691776, 1691779, 1691899, 1691948)
	1701849	1	SPRING, Compression (1691774, 1691775, 1691898)

See pages 2 & 3 for Ref. Nos. 1-29

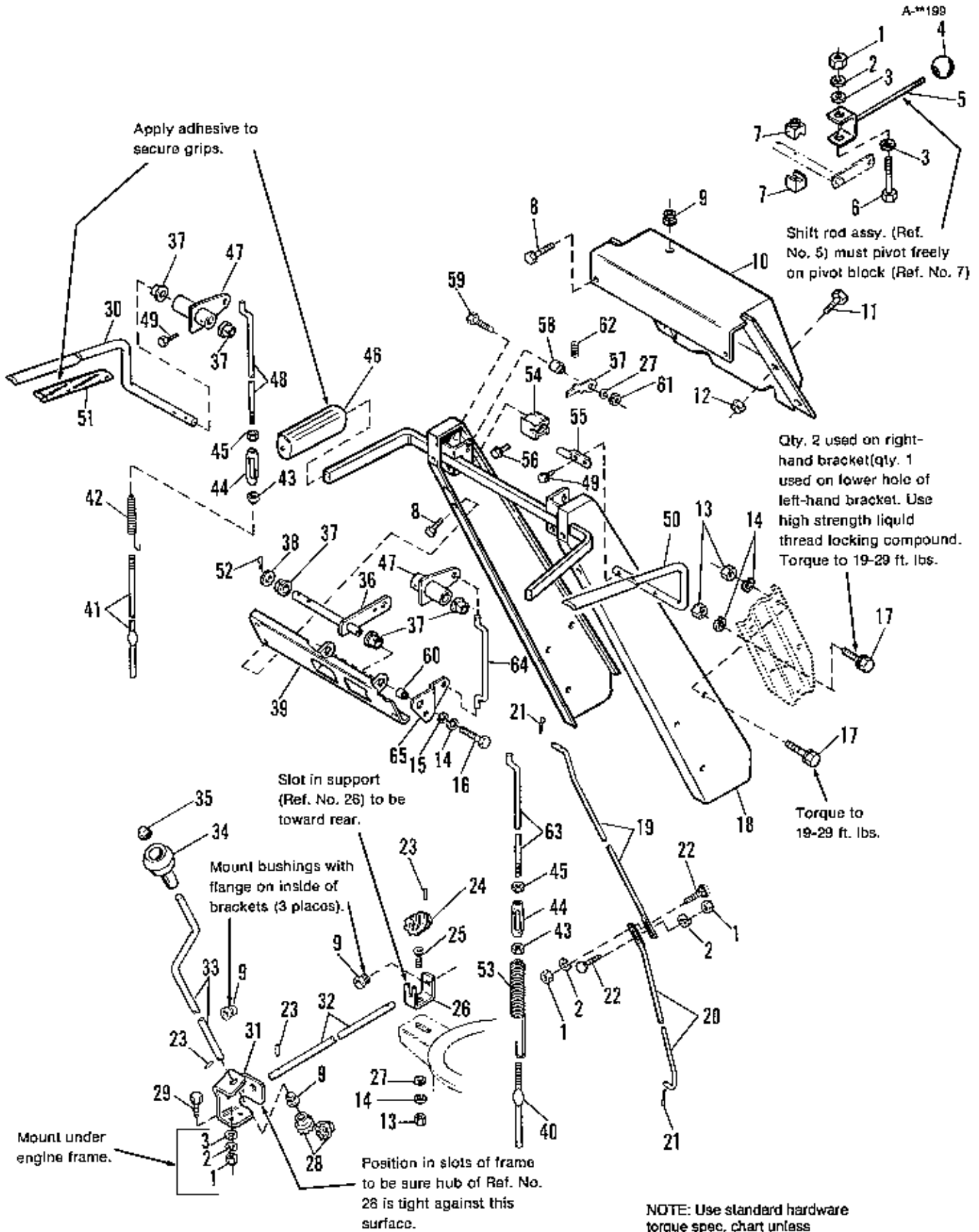
NOTE: Use Simplicity SAE-5W-30 Cold Weather Engine Oil, Part #1685518 (12 qts./case).

*See your local Tecumseh distributor for engine parts and service.



Ref. No.	Part No.	Qty.	Description
1	1916622	5	NUT, Hex, 1/4-20
2	1916964	5	LOCKWASHER, 1/4
3	1921319	4	WASHER, Flat, 9/32
4	8021050	1	KNOB
5	1668523	1	SHIFT ROD ASSY.
6	1921159	1	CAPSCREW, Hex Hd., 1/4-20 x 2-1/4
7	1668524	2	BLOCK, Pivot
8	1925003	6	SCREW, Tapfit, 1/4-20 x 1/2
9	1667588	4	BUSHING, Plastic
10	1667800	1	DASH, Handle
11	1935450	4	CAPSCREW, Washer Hd., 1/4-20 x 3/4
12	1920397	4	NUT, Nylon Lock, 1/4-20
13	1917372	7	NUT, Hex, 5/16-18
14	1917356	8	LOCKWASHER, 5/16
15	1919381	1	WASHER, Plain, 5/16 x 1
16	1922127	1	CAPSCREW, Hex Hd., 5/16-18 x 1-3/4
17	1930591	6	CAPSCREW, Whizlock, 5/16-18 x 3/4
18	1701208	1	HANDLE ASSY.
19	1666256	1	ROD, Shift-Upper
20	1666255	1	ROD, Shift-Lower
21	1918447	3	PIN Cotter
22	1931317	2	BOLT, Carriage, 1/4-20 x 3/4
23	916168	3	PIN, Roll, 1/8 x 3/4
24	1668186	1	WORM, Chute
25	1931333	1	BOLT, Carriage, 5/16-18 x 3/4
26	1611911	1	SUPPORT, Worm
27	1919326	2	WASHER, Flat, 11/32
28	1668188	2	GEAR, Universal
29	1930594	2	CAPSCREW, Hex Hd., 1/4-20 x 3/4
30	1704170	1	HANDLE, Clutch, L.H.
31	1611910	1	SUPPORT, Universal Gear
32	1668187	1	ROD, Chute Worm
33	1668190	1	ROD, Chute Control

See pages 8 & 9 for Ref. Nos. 34 thru 65.

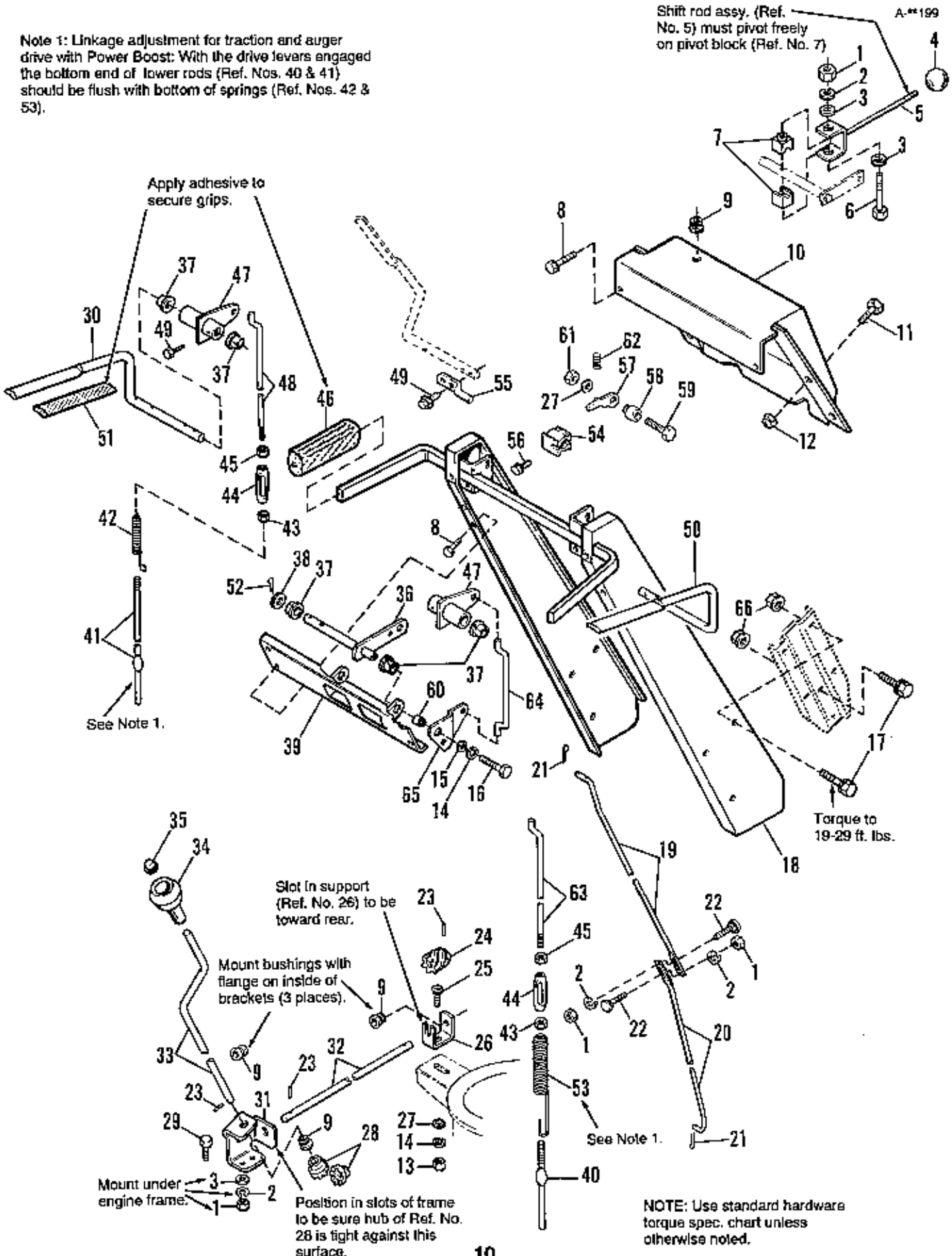


Ref. No.	Part No.	Qty.	Description
34	1668190	1	KNOB, Spinner
35	1960093	1	PALNUT
36	1703043	1	PIVOT ROD ASSY.
37	1668185	5	BUSHING, Plastic
38	1924361	1	WASHER
39	1668050	1	BRACKET, Shift Control
40	1702004	1	ROD, Clutch-Lower, Auger
41	1668526	1	ROD, Clutch-Lower, Traction
42	1668527	1	SPRING
43	1916621	2	NUT, Hex, #10-24, R.H.
44	108775	2	TURNBUCKLE
45	928704	2	NUT, Hex, #10-24, L.H.
46	1671041	2	GRIP, Handle Bar
47	1704255	2	CLUTCH LEVER ASSY.
48	1668121	2	ROD, Clutch-Upper
49	1612432	4	SCREW, Tapite, #12-24 x 1
50	1704172	1	HANDLE, Clutch R.H.
51	1668608	2	GRIP, Clutch
52	1918452	2	PIN, Cotter, 1/8 x 1
53	1701996	1	SPRING, Extension
54	1704697	1	GUIDE, Control
55	1677453	1	ROD, Control
56	1928732	2	SCREW, Tapite, #10-32 x 1.00
57	1677454	1	LATCH, Control
58	1678579	1	SPACER, Special
59	1921221	1	CAPSCREW, Hex Hd., 5/16-18 x 1-1/2
60	1702552	1	SPACER
61	1923362	1	NUT, Hex Lock, 5/16-18
62	1701342	1	SPRING
63	1702485	1	ROD, Upper Clutch, Auger
64	1702663	1	ROD, Clutch
65	1702662	1	LEVER, Clutch

See pages 6 & 7 for Ref. Nos.1 thru 33.

Note 1: Linkage adjustment for traction and auger drive with Power Boost: With the drive levers engaged the bottom end of lower rods (Ref. Nos. 40 & 41) should be flush with bottom of springs (Ref. Nos. 42 & 53).

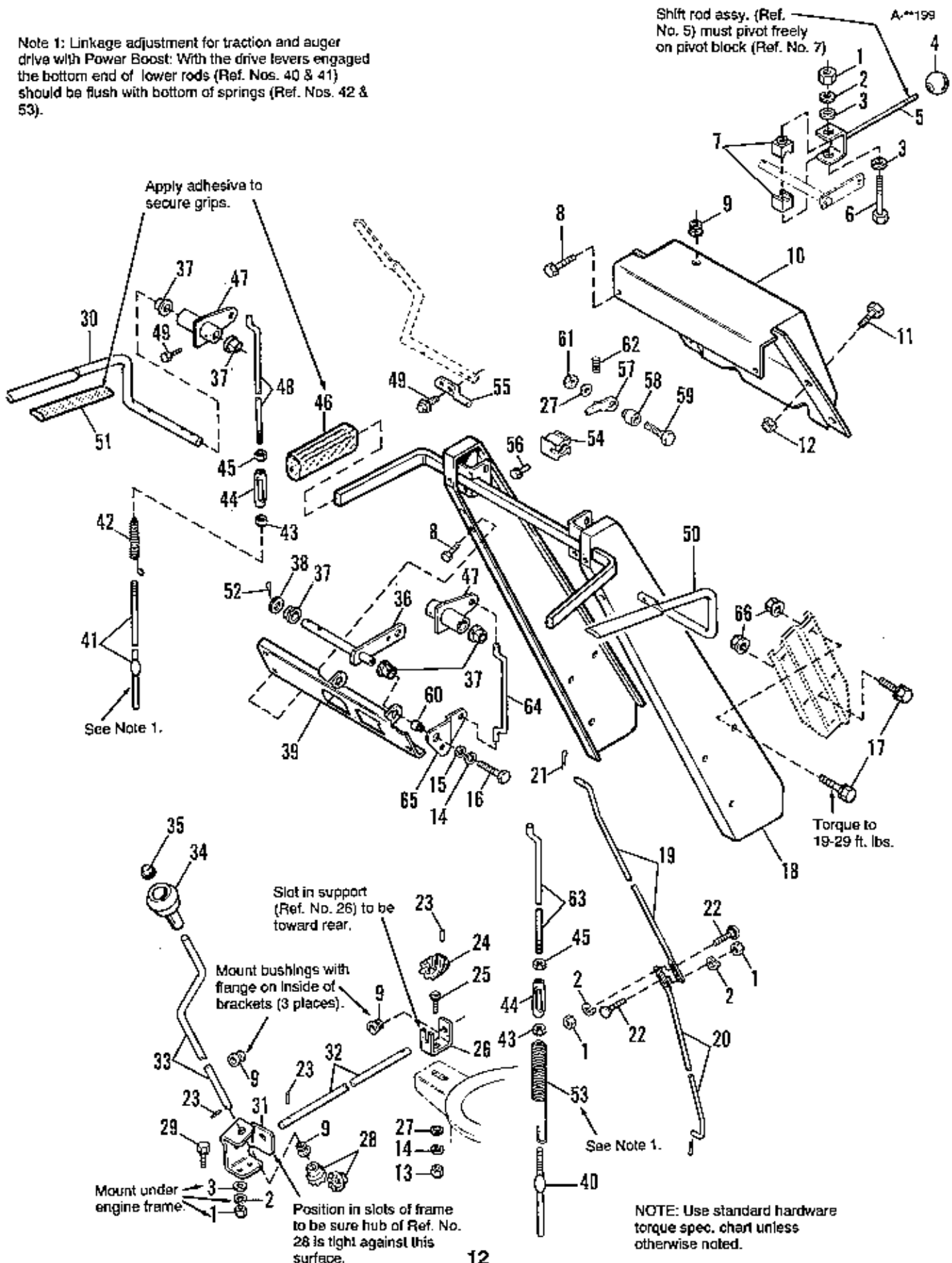
Shift rod Assy. (Ref. No. 5) must pivot freely on pivot block (Ref. No. 7)



Ref. No.	Part No.	Qty.	Description
1	1916622	5	NUT, Hex, 1/4-20
2	1916964	5	LOCKWASHER, 1/4
3	1921319	4	WASHER, Flat, 9/32
4	8021050	1	KNOB
5	1668523	1	SHIFT ROD ASSY.
6	1921159	1	CAPSCREW, Hex Hd., 1/4-20 x 2-1/4
7	1668524	2	BLOCK, Pivot
8	1925003	6	SCREW, Taptite, 1/4-20 x 1/2
9	1667588	4	BUSHING, Plastic
10	1667800	1	DASH, Handle
11	1935450	4	CAPSCREW, Washer Hd., 1/4-20 x 3/4
12	1920387	4	NUT, Nylon Lock, 1/4-20
13	1917372	7	NUT, Hex, 5/16-18
14	1917356	8	LOCKWASHER, 5/16
15	1919381	1	WASHER, Plain, 5/16 x 1
16	1922127	1	CAPSCREW, Hex Hd., 5/16-18 x 1-3/4
17	1930591	6	CAPSCREW, Whizlock, 5/16-18 x 3/4
18	1705825	1	HANDLE ASSY.
19	1668256	1	ROD, Shift-Upper
20	1668255	1	ROD, Shift-Lower
21	1918447	3	PIN Cotter
22	1931317	2	BOLT, Carriage, 1/4-20 x 3/4
23	918168	3	PIN, Roll, 1/8 x 3/4
24	1668186	1	WORM, Chute
25	1931333	1	BOLT, Carriage, 5/16-18 x 3/4
26	1611911	1	SUPPORT, Worm
27	1919326	2	WASHER, Flat, 11/32
28	1668188	2	GEAR, Universal
29	1930594	2	CAPSCREW, Hex Hd., 1/4-20 x 3/4
30	1612167	1	HANDLE, Clutch, L.H.
31	1611910	1	SUPPORT, Universal Gear
32	1668187	1	ROD, Chute Worm
33	1668189	1	ROD, Chute Control

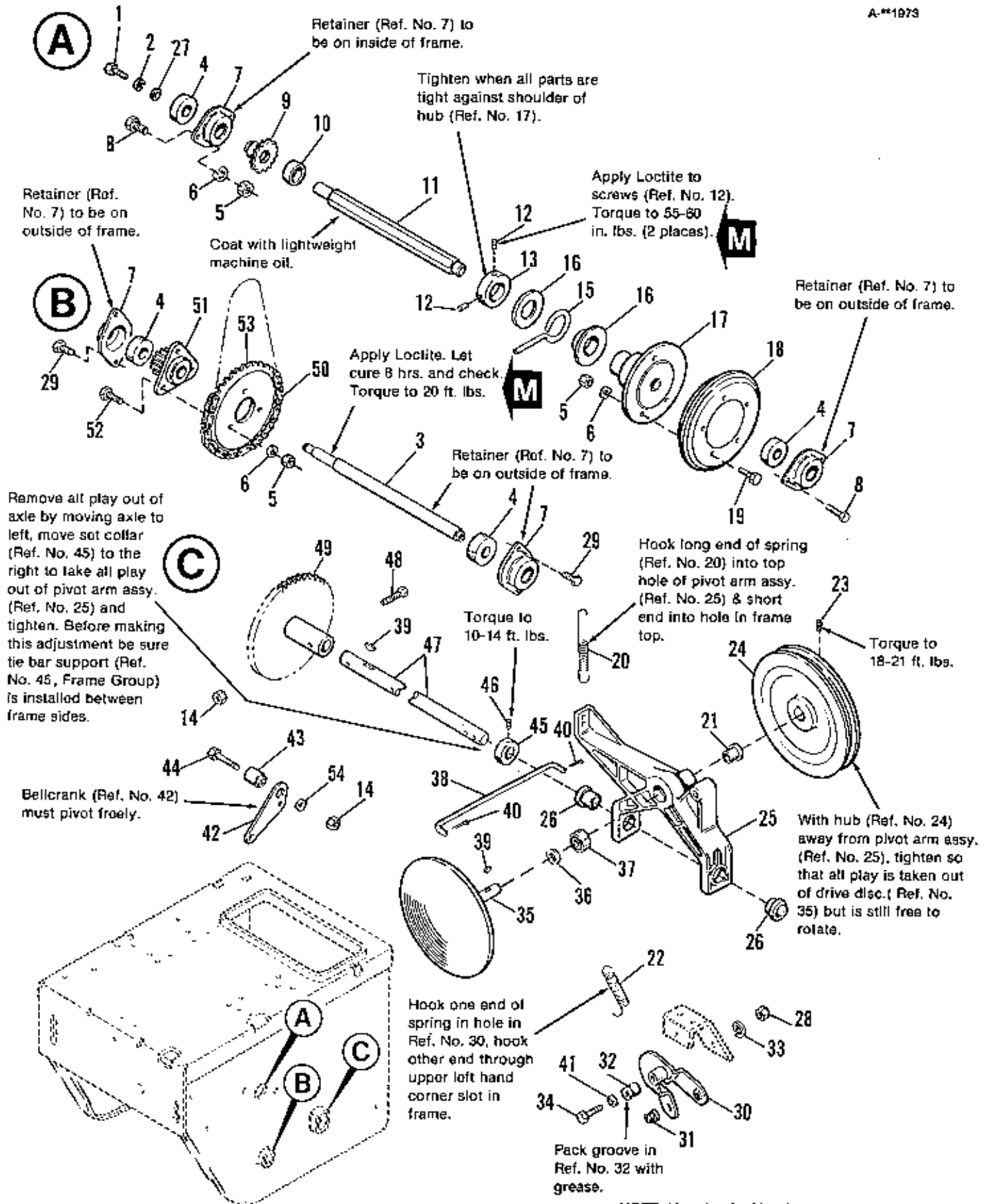
See pages 12 & 13 for Ref. Nos. 34 thru 65.

Note 1: Linkage adjustment for traction and auger drive with Power Boost: With the drive levers engaged the bottom end of lower rods (Ref. Nos. 40 & 41) should be flush with bottom of springs (Ref. Nos. 42 & 53).

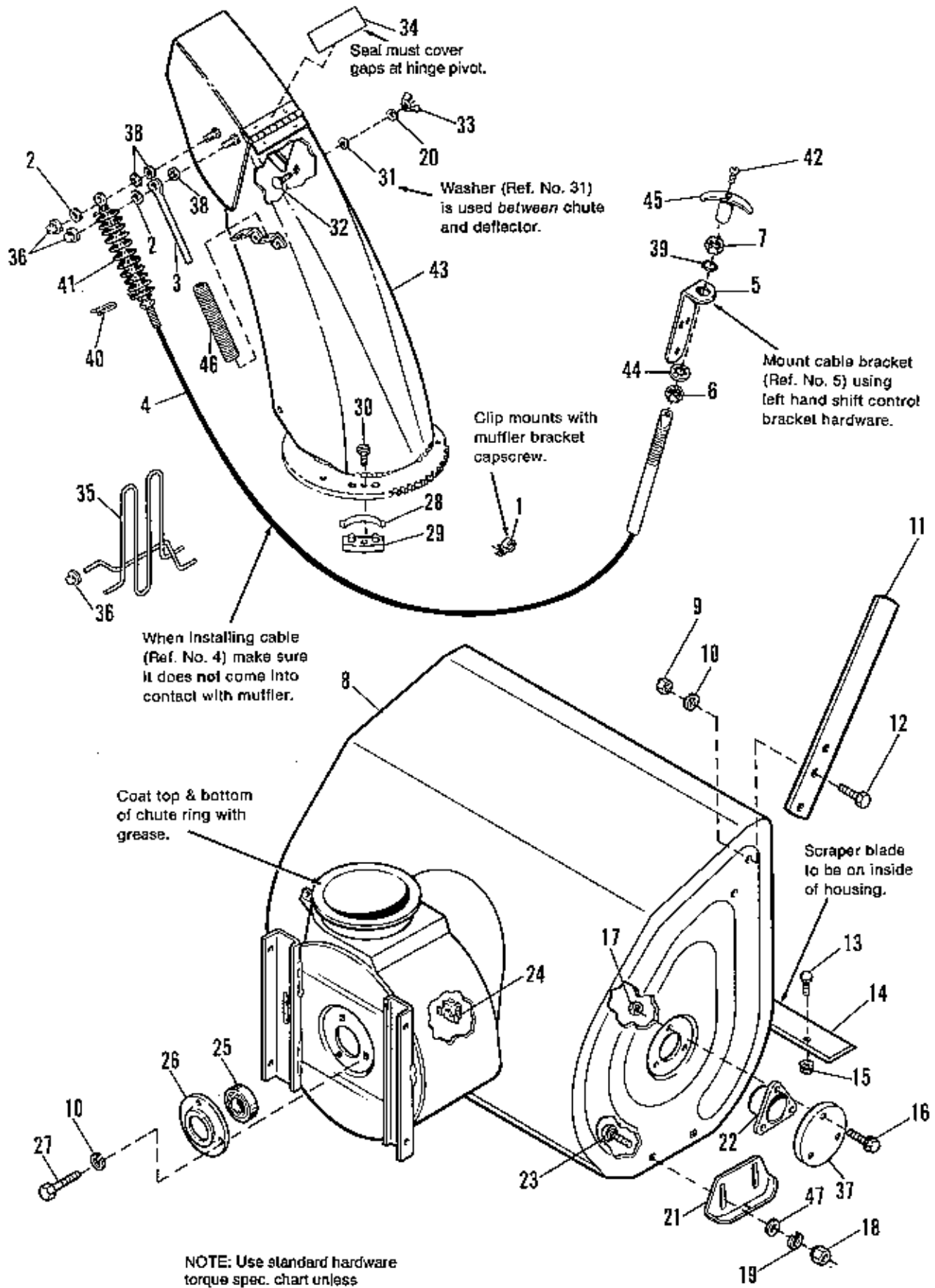


Ref. No.	Part No.	Qty.	Description
34	1668190	1	KNOB, Spinner
35	1960093	1	PALNUT
36	1703043	1	PIVOT ROD ASSY.
37	1668185	5	BUSHING, Plastic
38	1924361	1	WASHER
39	1668050	1	BRACKET, Shift Control
40	1702004	1	ROD, Clutch-Lower, Auger
41	1668526	1	ROD, Clutch-Lower, Traction
42	1707452	1	SPRING
43	1916621	2	NUT, Hex, #10-24, R.H.
44	108775	2	TURNBUCKLE
45	928704	2	NUT, Hex, #10-24, L.H.
46	1671041	2	GRIP, Handle Bar
47	1704255	2	CLUTCH LEVER ASSY.
48	1668121	2	ROD, Clutch-Upper
49	1612432	4	SCREW, Taptite, #12-24 x 1
50	1612165	1	HANDLE, Clutch R.H.
51	1668608	2	GRIP, Clutch
52	1918452	2	PIN, Cotter, 1/8 x 1
53	1701996	1	SPRING, Extension
54	1705899	1	GUIDE, Control
55	1677453	1	ROD, Control
56	1928732	2	SCREW, Taptite, #10-32 x 1.00
57	1705898	1	LATCH, Control
58	1678579	1	SPACER, Special
59	1921221	1	CAPSCREW, Hex Hd., 5/16-18 x 1-1/2
60	1702552	1	SPACER
61	1923362	1	NUT, Hex Lock, 5/16-18
62	1701342	1	SPRING
63	1702485	1	ROD, Upper Clutch, Auger
64	1702663	1	ROD, Clutch
65	1702662	1	LEVER, Clutch
66	1931277	6	NUT, Hex Flange whizlock, 5/16-18
67	1924940	1	WASHER, 13/32

See pages 10 & 11 for Ref. Nos. 1 thru 33.



Ref. No.	Part No.	Qty.	Description
1	1921959	1	CAPSCREW, Hex Hd., 1/4-20 x 5/8
2	1916964	1	LOCKWASHER, 1/4
3	1612160	1	JACKSHAFT
4	1705897	4	BEARING
5	1917372	10	NUT, Hex, 5/16-18
6	1917356	10	LOCKWASHER, 5/16
7	1667341	4	RETAINER, Bearing
8	1925205	4	CAPSCREW, Hex Hd., 5/16-18 x 5/8
9	1667331	1	SPROCKET, 10 Tooth
10	1667501	1	SPACER
11	1667340	1	SHAFT, Hex
12	1960348	2	SETSCREW, Socket Hd., 1/4-20 x 3/8
13	1667335	1	SET COLLAR
14	1919438	2	NUT, Hex, Lock, 5/16-18
15	1666207	1	PIN, Slide
16	1678956	2	COLLAR, Thrust
17	1665995	1	HUB, Friction Disc
18	1665975	1	DISC, Friction
19	1921332	3	CAPSCREW, Hex Hd., 5/16-18 x 3/4
20	157207	1	SPRING (1691774, 1691775, 1691776, 1691779)
	1707002	1	SPRING (1691898, 1691899, 1691947, 1691948)
21	1666855	1	BUSHING
22	1668255	1	SPRING
23	1928721	1	SETSCREW, Sq. Hd., 5/16-18 x 1/2
24	1672595	1	PULLEY, Traction
25	1670849	1	ARM ASSY., Pivot w/Bushings (Incl. Ref. Nos. 21, 26 & 37)
26	1666425	2	BUSHING
27	1960353	1	WASHER, Flat, 1/4
28	916950	1	NUT, Hex, 3/8-16
29	1924856	4	TAPTITE, 5/16-18 x 1/2
30	1669256	1	ARM ASSY., Shift w/Bushings (includes Ref. No. 31)
31	1669255	1	BUSHING, Ball
32	1666114	1	BUSHING, Spacer
33	916965	1	LOCKWASHER, 3/8
34	1923701	1	CAPSCREW, Hex Hd., 3/8-16 x 2
35	1666230	1	DISC, Drive
36	1666379	1	WASHER
37	1665521	1	BEARING
38	1666105	1	ROD, Pivot
39	918312	2	KEY, Woodruff, 3/16 x 5/8
40	1918451	2	PIN, Cotter, 1/8 x 3/4
41	1924940	1	WASHER, Flat, 13/32
42	1700473	1	BELLCRANK
43	1666106	1	BUSHING, Pivot
44	1922127	1	CAPSCREW, Hex Hd., 5/16-18 x 1-3/4
45	8021010	1	SET COLLAR
46	1928721	1	SETSCREW, Sq. Hd., 5/16-18 x 1/2
47	1612084	1	AXLE
48	1930570	1	CAPSCREW, Hex Hd., 5/16-18 x 1-1/2
49	1612086	1	GEAR ASSY.
50	1666980	1	CHAIN, Drive
51	1667326	1	GEAR & BEARING ASSY., 10 Tooth (1691774, 1691775, 1691776, 1691779)
	1672775	1	GEAR & BEARING ASSY., 10 Tooth (1691898, 1691899, 1691947, 1691948)
52	1921333	3	CAPSCREW, Hex Hd., 5/16-18 x 1
53	1667330	1	SPROCKET, 36 Tooth
54	1919326	1	WASHER, Flat, 11/32



Ref. No.	Part No.	Qty.	Description
1	1708008	1	CLAMP
2	1921319	2	WASHER, Flat
3	1611945	1	ROD, Spring
4	1706200	1	CABLE ASSY. (Incl. Ref. Nos. 1, 6, 7, 40-42, 44, 45 and 47-49)
5	1705920	1	BRACKET, Cable
6	1922014	1	NUT, 5/16-18, Cable Assy.
7	1612147	1	FITTING, Cable Assy.
8	1612184	1	HOUSING ASSY., Auger, 24" Models
	1612185	1	HOUSING ASSY., Auger, 28" Models
	1612186	1	HOUSING ASSY., Auger, 32" Models
9	1917372	4	NUT, 5/16-18 (All models except 1691774)
10	1917356	7	LOCKWASHER, 5/16 (Qty. 3 on 1691774)
11	1668171	2	CUTTER, Drift (All models except 1691774) (Available under P/N 1685189, see page 22.)
12	1921332	4	CAPSCREW, Hex Hd., 5/16-18 x 3/4 (All models except 1691774)
13	1931332	5	BOLT, Carriage, 5/16-18 x 5/8 (Qty. 7 on 32" models)
14	1612174	1	BLADE, Scraper, 24" Models
	1612091	1	BLADE, Scraper, 28" Models
	1612173	1	BLADE, Scraper, 32" Models
15	1935048	5	LOCKNUT, Flange, 5/16-18 (Qty. 7 on 32" models)
16	1923325	6	CAPSCREW, Hex Flange Whizlock, 5/16-18 x 7/8
17	1923362	6	NUT, Hex, Center Lock, 5/16-18
18	1916950	4	NUT, Hex, 3/8-16
19	1916965	4	LOCKWASHER, 3/8
20	1919326	1	WASHER, Flat, 11/32
21	177434	2	SKID
22	1665980	2	BEARING, Auger
23	1931348	4	BOLT, Carriage, 3/8-16 x 3/4
24	930659	3	NUT, Retainer, 5/16-18
25	108202	1	BEARING, Ball
26	1665982	1	RETAINER, Bearing
27	1925205	3	CAPSCREW, Hex Hd., 5/16-18 x 17/64
28	1667865	3	SPRING
29	1666613	3	HOLD DOWN, Chute
30	1960001	3	SCREW, Plastite #10
31	960210	1	WASHER, Nylon
32	1931333	1	BOLT, Carriage, 5/16-18 x 3/4
33	933126	1	WINGNUT, 5/16-18
34	1706085	2	SEAL, Hinge
35	1612455	1	GUARD, Chute
36	1960126	4	PUSH NUT
37	1668639	2	BEARING, Cap
38	1702219	3	SPACER
39	1612148	1	"O" RING, Cable Assy.
40	932747	2	TIE, Self-Locking, Cable Assy.
41	1611989	1	BOOT, Water
42	1677985	1	SCREW, Pan Hd., #8-32 x 11/16
43	1612440	1	CHUTE ASSY.
44	918906	1	LOCKWASHER, Int. Tooth
45	1612146	1	HANDLE, Cable
46	1611939	1	SPRING
47	1924940	4	WASHER, Flat, 13/32

Apply grease until it appears at ends of auger Assy. (2 places).

Auger Assy. stamped "L"

Auger Assy. stamped "R"

Marked side on worm gear must contact against left thrust washer to assure proper gear mesh.

Torque to 18-21 ft. lbs. (2 places).

Torque to 30-34 ft. lbs.

Impeller to be positioned against bearing before tightening setscrew.

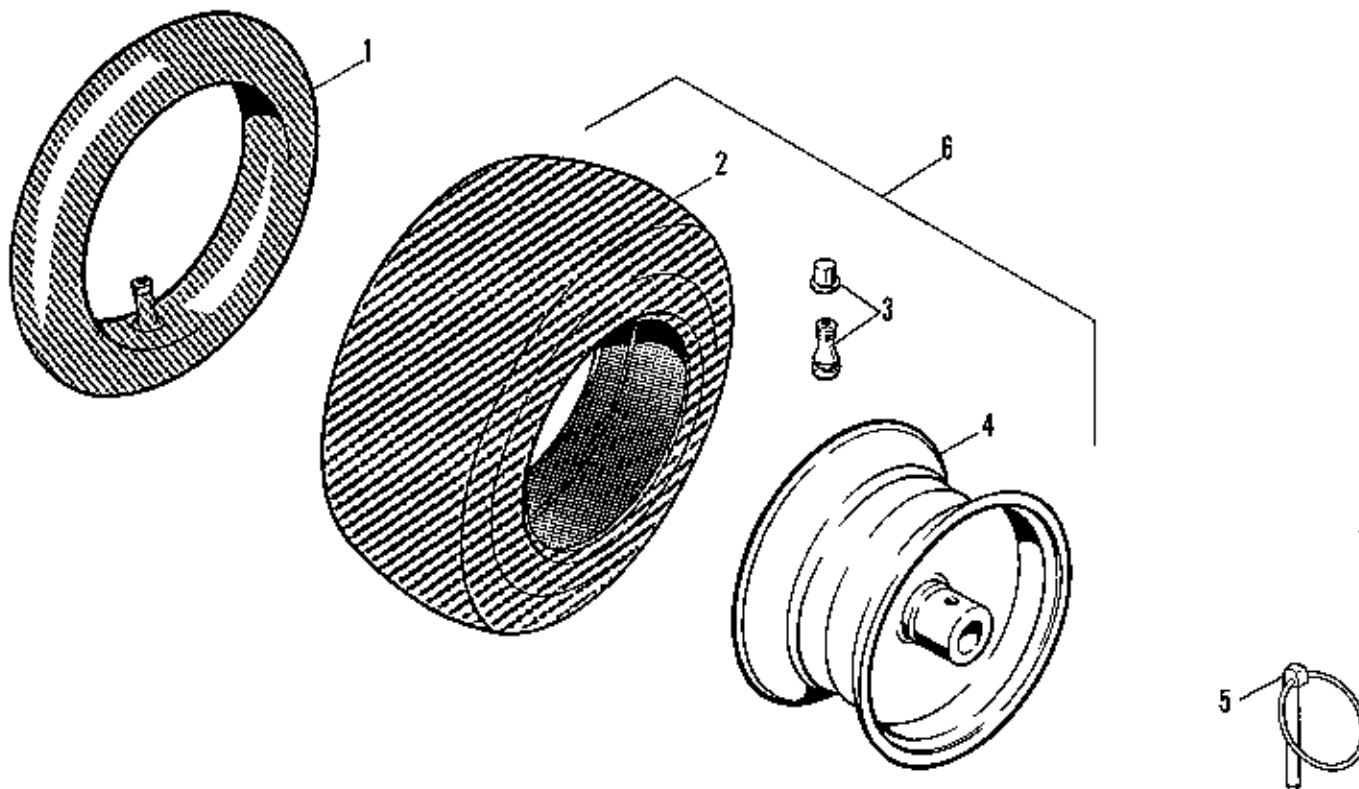
End of hub to be flush with end of rolled down shaft (Ref. No. 23).

NOTE: Use standard hardware torque spec. chart unless otherwise noted.

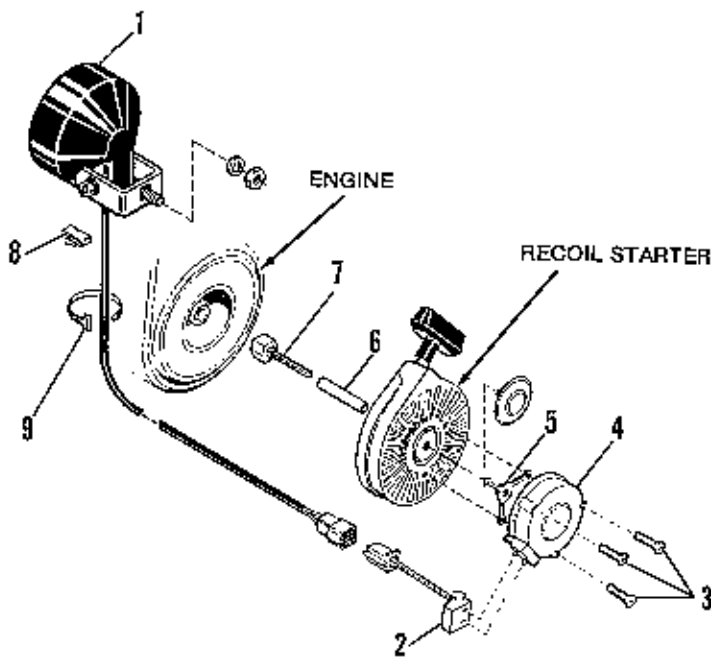
Ref. No.	Part No.	Qty.	Description
1	16121301	1	AUGER ASSY., L.H., 24"
	1612132	1	AUGER ASSY., L.H., 28"
	1612134	1	AUGER ASSY., L.H., 32"
2	1612131	1	AUGER ASSY., R.H., 24"
	1612133	1	AUGER ASSY., R.H., 28"
	1612135	1	AUGER ASSY., R.H., 32"
3	1612117	1	SHAFT, Auger
4	118118	2	SEAL
5	1668971	1	PLUG, Pipe, Tapered, 1/8
6	118315	2	WASHER, Thrust
7	1612142	1	GEAR, Rolled Worm
8	1612141	1	GEAR, Worm
9	1668344	2	PIN, Shear
10	1918447	2	PIN, Cotter, 3/32 x 3/4
11	1923358	6	LOCKNUT, Hex, 1/4-20
12	1612137	1	CASE, Gear, R.H.
13	1612124	1	GASKET
14	1706400	1	SETSCREW, Sq. Hd., 3/8-16 x 1/2
15	1612093	1	SEAL, Oil
16	1612187	1	IMPELLER ASSY.
17	1679293	1	PULLEY, Auger Input
18	1928721	2	SETSCREW(Sq. Hd., 5/16-18 x 1/2
19	1612149	2	BUSHING, Flange
20	1612127	1	COLLAR, Thrust
21	936098	1	PIN, Drivelok, 3/16 x 1-1/2
22	918312	3	KEY, Woodruff, 3/16 x 5/8
23	1612129	1	SHAFT, Worm
24	1960114	1	WASHER
25	1612136	1	CASE, Gear(L.H.)
26	1960346	6	CAPSCREW, Hex Hd., 1/4-20 x 7/8
27	169111	1	WASHER, Thrust
28	1612111	1	TUBE
29	930246	1	KEY, Woodruff, 1/4 x 3/4
30	921133	2	GREASE FITTING

NOTE: Use only Simplicity Cold Weather Special Worm Gear Oil In Worm Gear Housing.

1 - 8 Oz. Bottle, P/N 1704636
Case of 12 - 8 Oz. Bottles, Part #1685406



Optional Headlight Kit for Tecumseh Engines



NOTE: Use standard hardware torque spec. chart unless otherwise noted.

Ref. No.	Part No.	Qty.	Description
1	153038		TUBE (Service Only) 4.80/4.00-8
2	1612000	2	TIRE, (Snow Hog)
3	172353	2	VALVE STEM & CAP
4	1677057	2	WHEEL ASSY.
5	1666969	2	PIN, Klik
6	1611997	2	WHEEL & TIRE ASSY. (Incl. Ref. Nos. 2, 3 & 4)

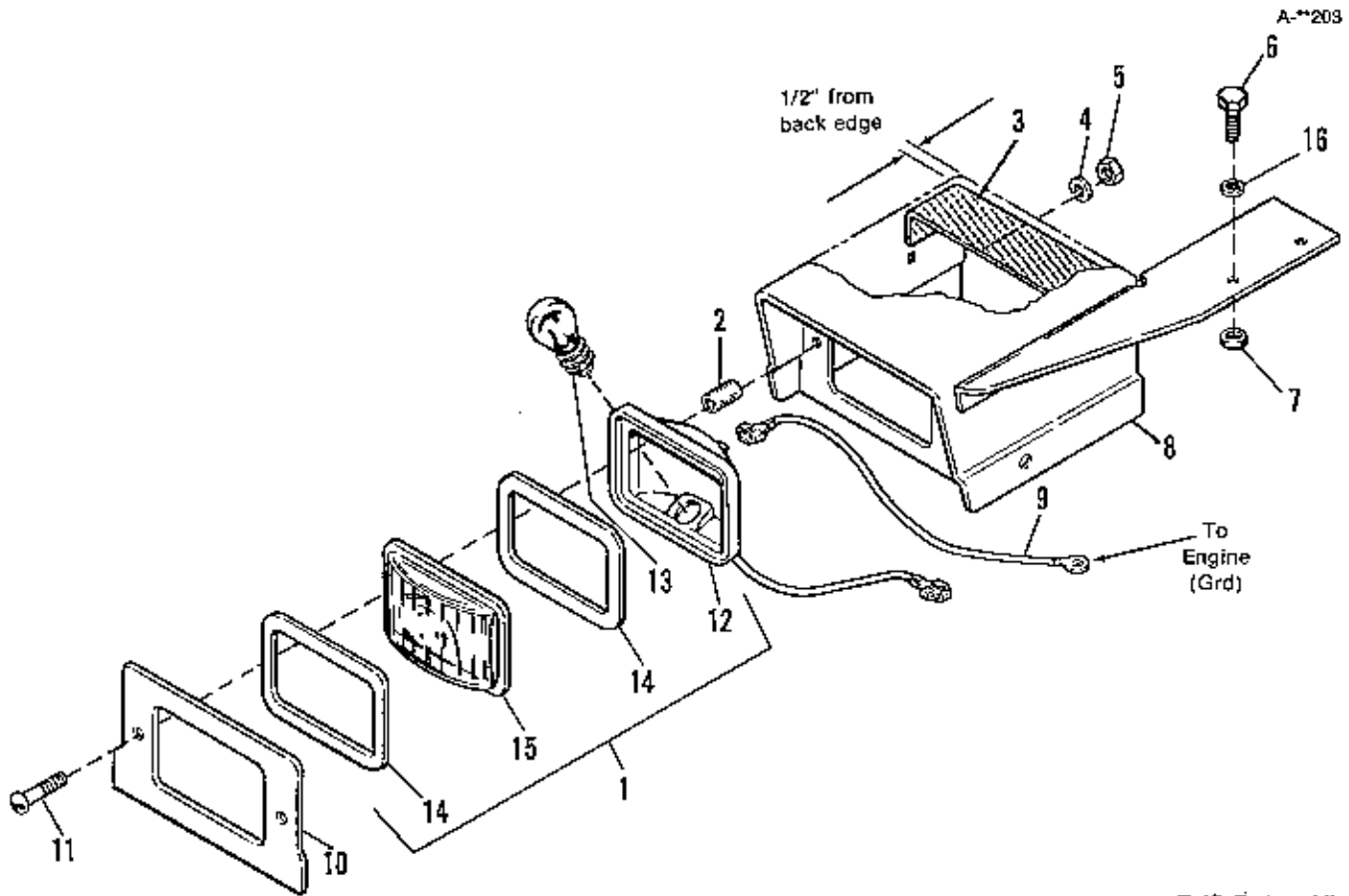
Mfg. No. 1691827, 1685459

Optional Headlight Kit for Tecumseh Engines

Ref. No.	Part No.	Qty.	Description
1	1704644	1	LIGHT, Add-On
2	1704647	1	CONNECTOR, A-C Lighting
3	* 1704652	3	SCREW, Self-Tapping
	** 1704653	3	SCREW, Self-Tapping
4	1704646	1	ALTERNATOR
5	* 1704648	1	SPACER
6	1704649	1	TUBE, Centering
7	* 1704642	1	SHAFT, Alternator
	** 1704641	1	SHAFT, Alternator
8	930222	1	CLIP
9	925094	2	TIE, Plastic

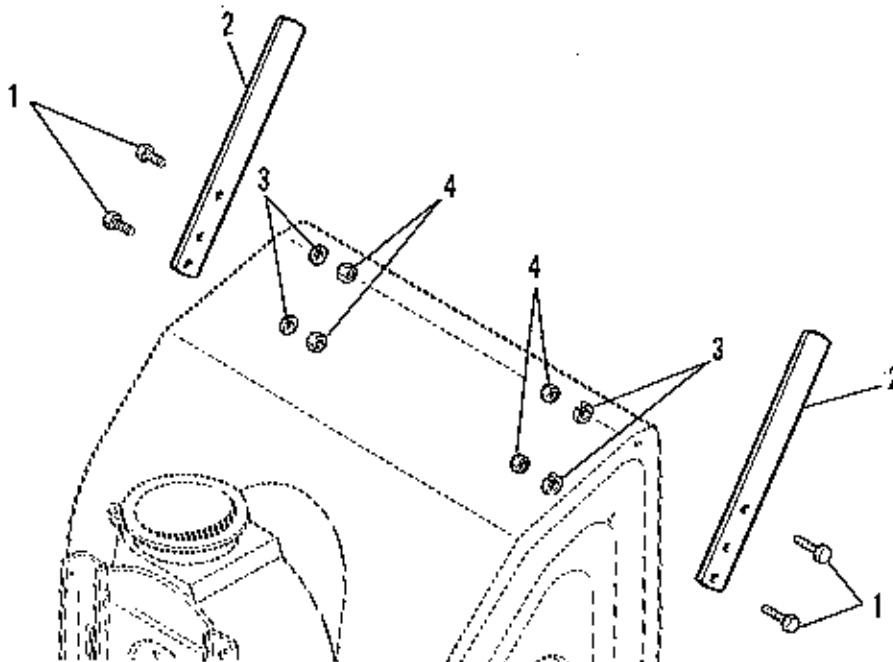
*5 HP Models

**8, 10 HP Models



Drift Cutter Kit

A-204



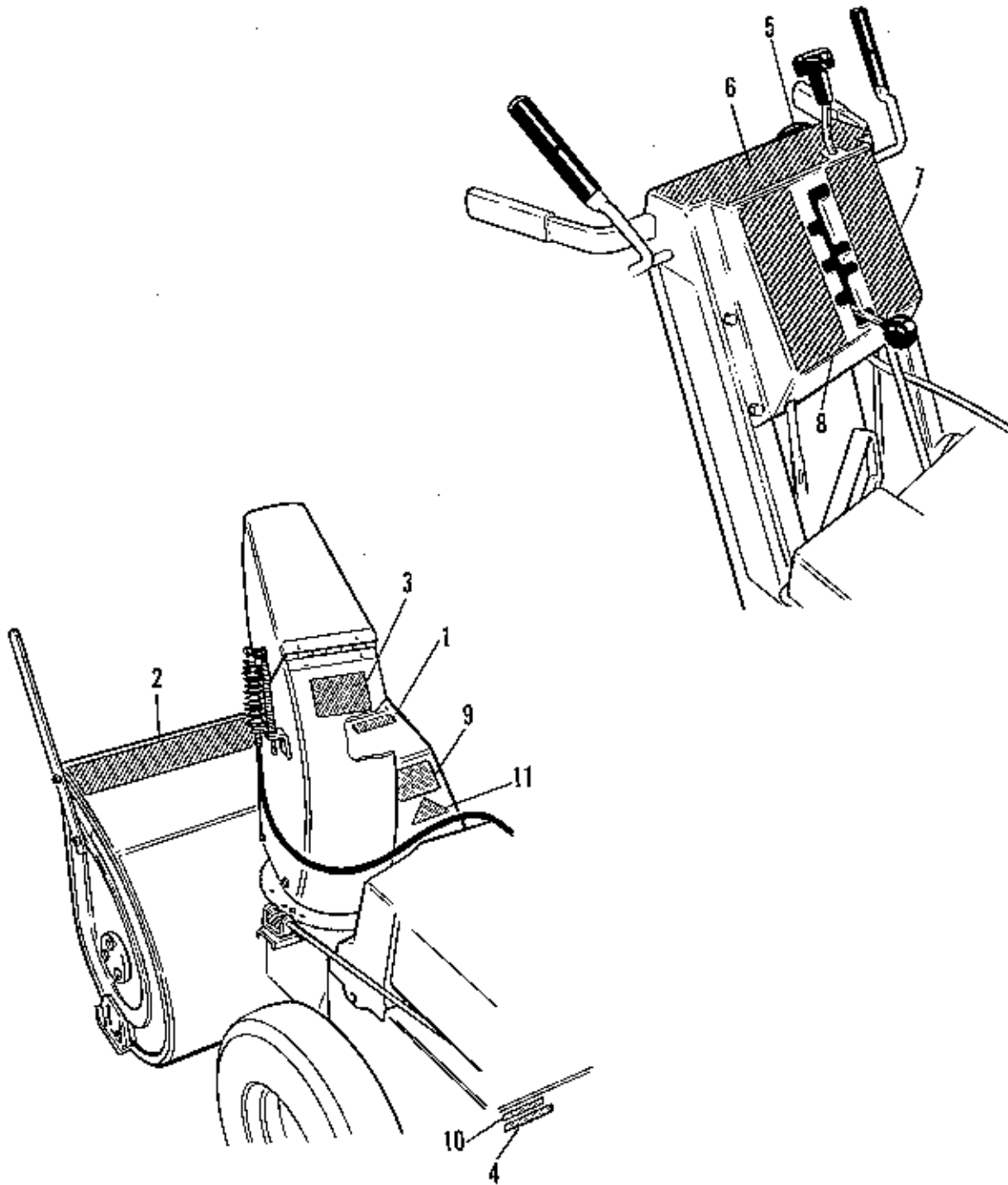
NOTE: Use standard hardware torque spec. chart unless otherwise noted.

Ref. No.	Part No.	Qty.	Description
1	1701938	1	LIGHT ASSY. (Incl. Ref. Nos. 12 thru 15) (1691775, 1691776, 1691779)
	1704176	1	LIGHT ASSY. (Incl. Ref. Nos. 12 thru 15) (1691898, 1691899, 1691947, 1691948)
2	1664792	2	SPACER
3	1668830	1	PAD, Rubber
4	1918964	2	LOCKWASHER, 1/4
5	1918622	2	NUT, Hex, 1/4-20
6	1921333	2	CAPSCREW, Hex Hd., 5/16-18 x 1
7	1919381	4	WASHER, Plain, 5/16 x 1 O.D.
8	1668738	1	COVER ASSY., Headlight
9	1668762	1	WIRE, Light to Ground
10	1668728	1	SUPPORT, Light
11	1917451	2	SCREW, Rd. Hd., 1/4-20 x 1
12	1704179	1	SOCKET, Reflector (1691775, 1691776, 1691779)
	1704177	1	SOCKET, Reflector (1691898, 1691899, 1691947, 1691948)
13		1	BULB, #1141 (obtain locally)
14	1654662	2	GASKET
15	1668721	1	LENS, Amber
16	1923300	2	LOCKWASHER, Internal Tooth, 5/16

Mfg. No. 1685189

Drift Cutter Kit (Standard on 8 & 10 HP Models)

Ref. No.	Part No.	Qty.	Description
1	1921332	4	CAPSCREW, Hex Hd., 5/16-18 x 3/4
2	1668171	2	CUTTER, Drift
3	1917356	4	LOCKWASHER, 5/16
4	1917372	4	NUT, Hex, 5/16-18



Ref. No.	Part No.	Qty.	Description
1	1704260	1	DECAL, Housing, 560S
	1704261	1	DECAL, Housing, 870S
	1704262	1	DECAL, Housing, 1080S
2	1704264	1	DECAL, Auger, Simplicity Logo (560S)
	1704381	1	DECAL, Auger, Simplicity Logo (870S)
	1704382	1	DECAL, Auger, Simplicity Logo (1080S)
	1708784	1	DECAL, Auger, Sno-Away 870
	1708787	1	DECAL, Auger, Sno-Away 1080
3	1677488	1	DECAL, Danger, Blower
4	1709061	1	DECAL, Touch Up Paint
5	1612012	1	DECAL, Cable Lock (1691774, 1691775, 1691776, 1691779)
6	1701591	1	DECAL, Dash (1691774, 1691775, 1691776, 1691779)
	1705905	1	DECAL, Dash (1691898, 1691899, 1691947, 1691948)
7	1704232	1	DECAL, Shift Pattern, L.H.
8	1704231	1	DECAL, Shift Pattern, R.H.
9	1677485	1	DECAL, Danger, Auger
10		1	I.D. Tag (Not Serviced)
11		1	DECAL, OPEI (Not Serviced)

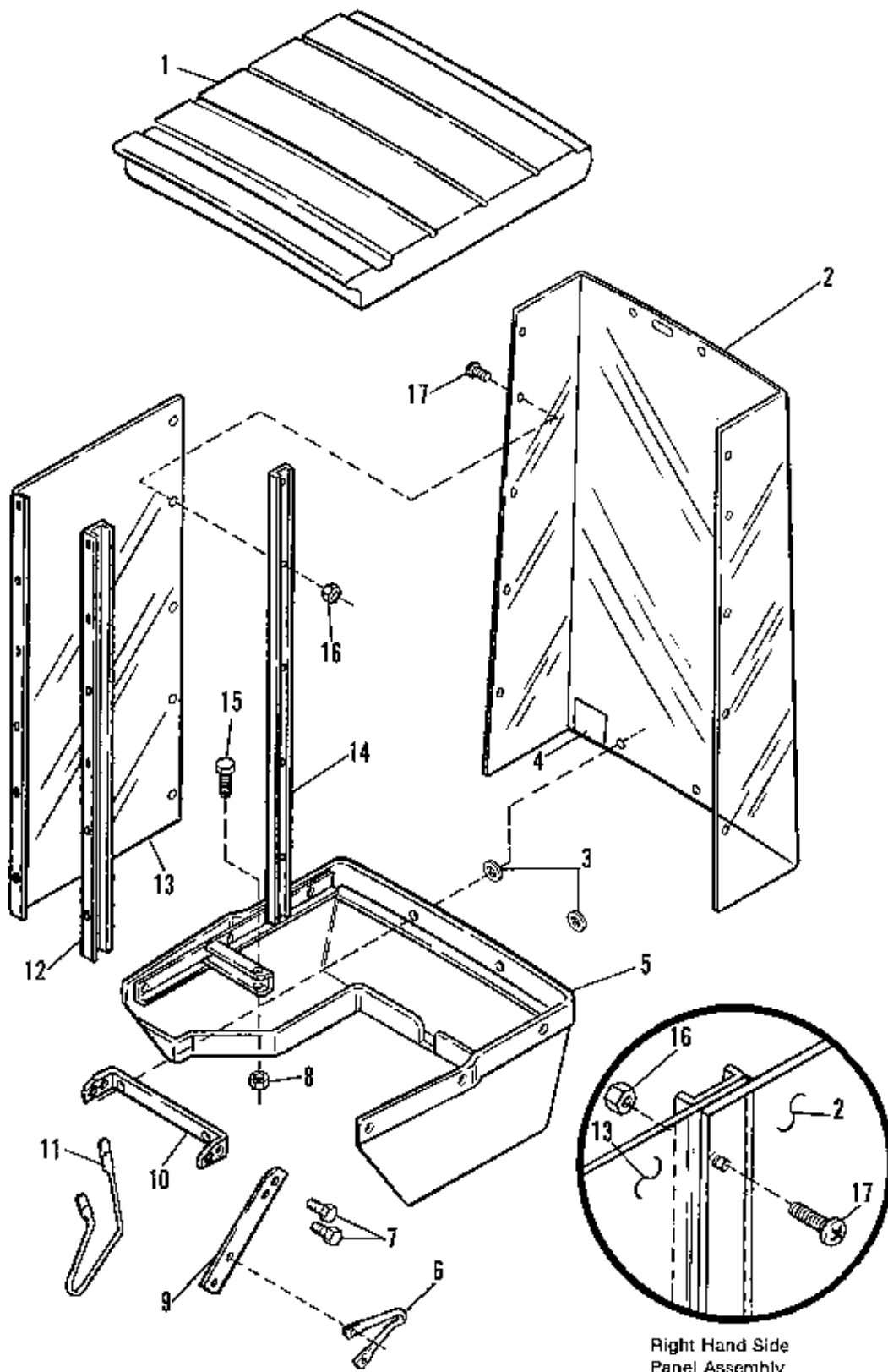
SAFETY DECALS



Ref. No. 9



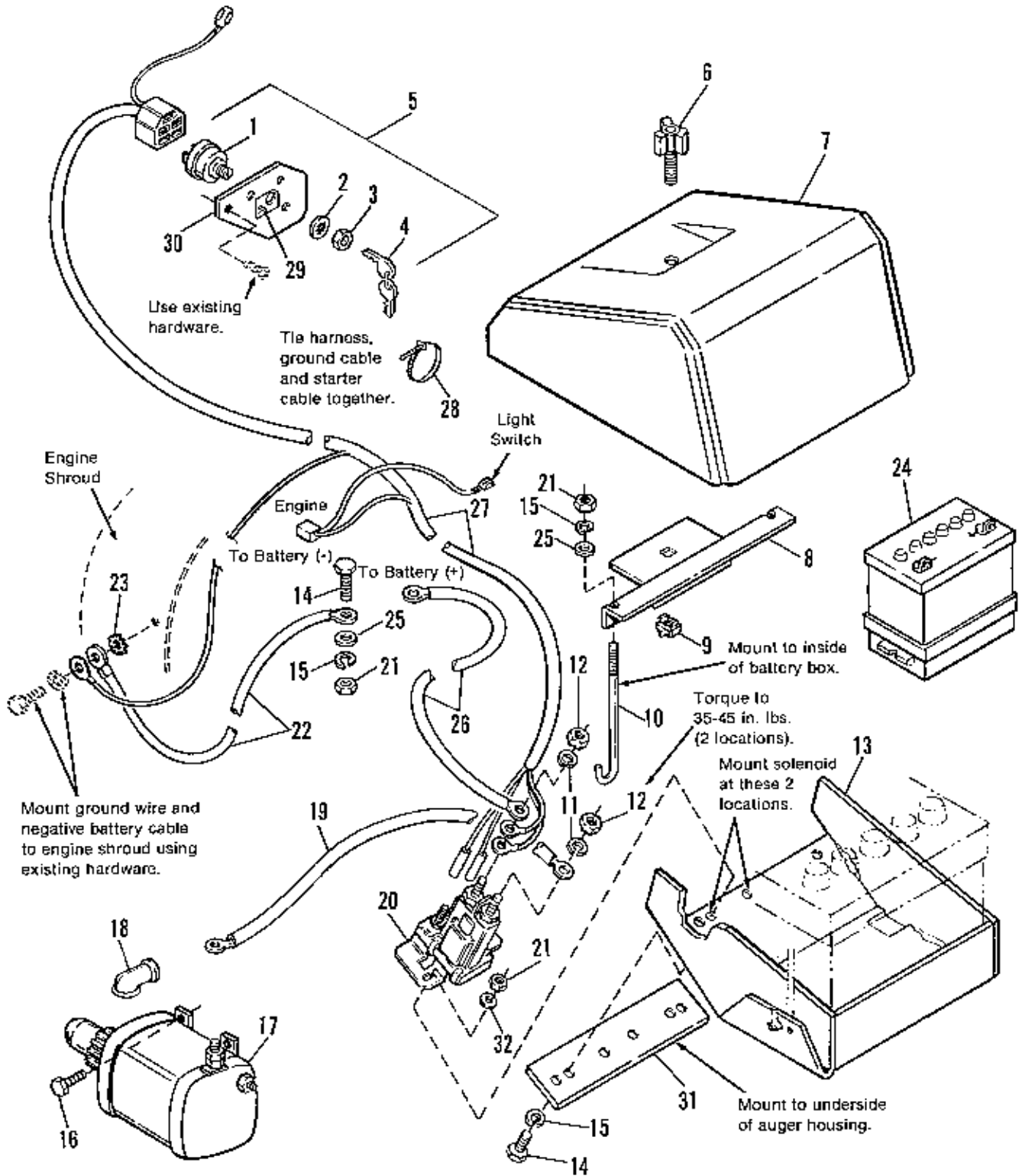
Ref. No. 3



NOTE: Use standard hardware torque spec. chart unless otherwise noted.

Ref. No.	Part No.	Qty.	Description
1	1668887	1	COVER, Top
2	1668886	1	PANEL, Front
3	1917377	3	WASHER, Flat, 1/4
4	1669127	1	DECAL, Cleaning Instructions
5	1668869	1	SHROUD, Lower
6	1669090	1	GUIDE, Rope
7	1923341	4	CAPSCREW, Hex Hd., 1/4-20 x 3/4
8	1924433	2	LOCKNUT, Nylon, 5/16-18
9	1668851	2	SUPPORT, Side
10	1668852	1	SUPPORT, Front
11	1669150	2	ROD, Skid
12	1611730	2	CHANNEL, Side
13	1668884	2	PANEL, Side
14	1611731	1	SUPPORT ASSY., L.H.
	1611732	1	SUPPORT ASSY., R. H. (not shown)
15	1922127	2	CAPSCREW, Hex Hd., 5/16-18 x 1-3/4
16	1920397	37	LOCKNUT, Nylon, 1/4-20
17	1935945	33	SCREW, Phil. Truss Hd., 1/4-20 x 3/4

Engine Stop Terminal Block






NOTE: Use standard hardware torque spec. chart unless otherwise noted.

Ref. No.	Part No.	Qty.	Description
1		1	SWITCH (not serviced separately, order Ref. No. 5)
2	918906	1	LOCKWASHER, Int. Tooth, 5/8 (Zinc Pltd.)
3	122234	1	NUT, Special
4	122203	1	KEY, Set of Two
5	178280	1	SWITCH, Key (Incl. Ref. Nos. 1, 2, 3 & 4)
6	1668777	1	KNOB
7	1668756	1	COVER
8	1668795	1	HOLDDOWN ASSY., Battery
9	930659	1	NUT, Cage, Tinnerman, 5/16-18
10	1668820	2	J-HOOK
11	917356	2	LOCKWASHER, 5/16 (Zinc Pltd.)
12	920263	2	NUT, Hex, Full, 5/16-24 (Zinc Pltd.)
13	1668731	1	SUPPORT ASSY., Battery
14	923341	6	CAPSCREW, Hex, 1/4-20 x 3/4 (Zinc Pltd.)
15	916964	8	LOCKWASHER, 1/4 (Zinc Pltd.)
*16		4	SCREW (not serviced)
*17		1	MOTOR, Starter (not serviced)
18	122023	1	COVER, Terminal
19	1668819	1	WIRE, Solenoid to Starter, 25"
20	1685290	1	SOLENOID
21	916622	8	NUT, Hex, Full, 1/4-20 (Zinc Pltd.)
22	1655522	1	WIRE, Battery to Solenoid, 15"
23	920426	1	LOCKWASHER, Ext. Tooth 5/16 (Zinc Pltd.)
24	1685215	1	BATTERY, (Not included with kit)
25	917377	4	WASHER, Flat, 1/4
26	1701522	1	CABLE, Battery to Ground, 38"
27	1612065	1	HARNESS, Wiring
28	932747	1	TIE, Wrap
29	1668905	1	DECAL, Key Switch
30	1668743	1	BRACKET, Key Switch
31	1671022	1	PLATE, Reinforcement
32	1921319	2	WASHER, 1/4

*For service of this part, contact your Tecumseh distributor.

**TORQUE SPECIFICATIONS FOR
STANDARD MACHINE HARDWARE
TOLERANCE ±20%**

SIZE	SAE GRADE #2 		SAE GRADE #5 		SAE GRADE #8 	
	<u>In./Lbs.</u> Ft./Lbs.	Nm.	<u>In./Lbs.</u> Ft./Lbs.	Nm.	<u>In./Lbs.</u> Ft./Lbs.	Nm.
8-32	19	2.1	30	3.4	41	4.6
8-36	20	2.3	31	3.5	43	4.9
10-24	27	3.1	43	4.9	60	6.8
10-32	31	3.5	49	5.5	68	7.7
1/4-20	66	7.6	8	10.9	12	16.3
1/4-28	76	8.6	10	13.6	14	19.
5/16-18	11	15.	17	23.1	25	34.
5/16-24	12	16.3	19	25.8	25	34.
3/8-16	20	27.2	30	40.8	45	61.2
3/8-24	23	31.3	35	47.6	50	68.
7/16-14	30	40.8	50	68.	70	95.2
7/16-20	35	47.6	55	74.8	80	108.8
1/2-13	50	68.	75	102.	110	149.6
1/2-20	55	74.8	90	122.4	120	163.2
9/16-12	65	88.4	110	149.6	150	204.
9/16-18	75	102.	120	163.2	170	231.2
5/8-11	90	122.4	150	204.	220	299.2
5/8-18	100	136.	180	244.8	240	326.4
3/4-10	160	217.6	260	353.6	386	525.
3/4-16	180	244.8	300	408.	420	571.2
7/8-9	140	190.4	400	544.	600	816.
7/8-14	155	210.8	440	598.4	660	897.6
1-8	220	299.2	580	788.8	900	1,224.
1-12	240	326.4	640	870.4	1,000	1,360.

NOTE:

1. These torque values are to be used for all hardware excluding: locknuts, self-tapping screws, thread forming screws, sheet metal screws and socket head setscrews.
2. Recommended seating torque values for locknuts:
 - a. For prevailing torque locknuts - use 65% of grade 5 torques.
 - b. For flange whizlock nuts (and screws) - use 135% of grade 5 torques.
3. Unless otherwise noted on assembly drawings all torque values must meet this specification.

**BOLT HEAD MARKING
S.A.E. GRADE:**



SIMPLICITY MANUFACTURING, INC.
500 N. Spring St., P.O. Box 997
Port Washington, WI USA 53074-0997

TP-1158-02
PRINTED IN U.S.A.
©1993 2/93

Free Manuals Download Website

<http://myh66.com>

<http://usermanuals.us>

<http://www.somanuals.com>

<http://www.4manuals.cc>

<http://www.manual-lib.com>

<http://www.404manual.com>

<http://www.luxmanual.com>

<http://aubethermostatmanual.com>

Golf course search by state

<http://golfingnear.com>

Email search by domain

<http://emailbydomain.com>

Auto manuals search

<http://auto.somanuals.com>

TV manuals search

<http://tv.somanuals.com>