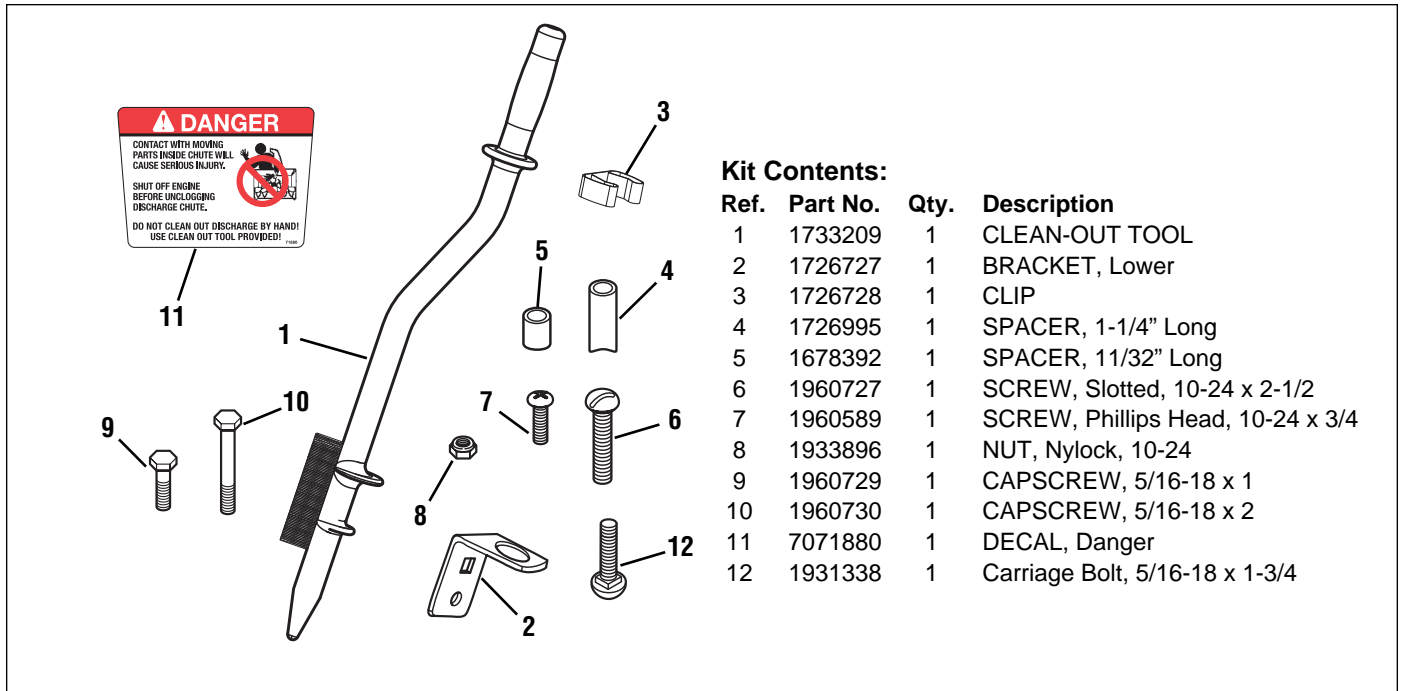


Installation Instructions

Clean-Out Tool Kit

Part No. 1687099

319 / 520 / 551 Single Stage, 5-13 HP
Intermediate or Large Frame Snowthrowers



Kit Contents:

Ref.	Part No.	Qty.	Description
1	1733209	1	CLEAN-OUT TOOL
2	1726727	1	BRACKET, Lower
3	1726728	1	CLIP
4	1726995	1	SPACER, 1-1/4" Long
5	1678392	1	SPACER, 11/32" Long
6	1960727	1	SCREW, Slotted, 10-24 x 2-1/2
7	1960589	1	SCREW, Phillips Head, 10-24 x 3/4
8	1933896	1	NUT, Nylock, 10-24
9	1960729	1	CAPSCREW, 5/16-18 x 1
10	1960730	1	CAPSCREW, 5/16-18 x 2
11	7071880	1	DECAL, Danger
12	1931338	1	Carriage Bolt, 5/16-18 x 1-3/4

Figure 1. Contents

This kit is to install a clean-out tool on a variety of snowthrowers.

WARNING

Before beginning any service work turn off ignition, and disconnect the spark plug wire.

GENERAL OPERATION

After installation of the clean-out tool kit, make sure clean-out tool is attached to handle on machine. Do not operate the machine without the clean-out tool properly stored on the handle.

Upon completion of installation of clean-out tool, keep these instructions and warnings with the Operator's Manual.

Note: For proper use of clean-out tool it may be necessary on some models to remove the wire guard from the chute.

CLEARING A CLOGGED DISCHARGE CHUTE

Hand contact with the rotating impeller inside the discharge chute is the most common cause of injury associated with snowthrowers. Never use your hand to clean out the discharge chute.

To clear the chute:

1. SHUT OFF THE ENGINE.
2. Wait 10 seconds to be sure the impeller blades have stopped rotating.
3. Always use a clean out tool, not your hands.

DANGER

Do not clean out discharge chute with hands. Contact with moving parts inside chute will cause serious injury. Use clean out tool provided with machine. Use the following procedure to remove objects or clear the chute:

1. Stop the engine. Remove the key
2. Wait 10 seconds to be sure the auger/impeller blades have stopped rotating.
3. Always use the clean-out tool. DO NOT use your hands.

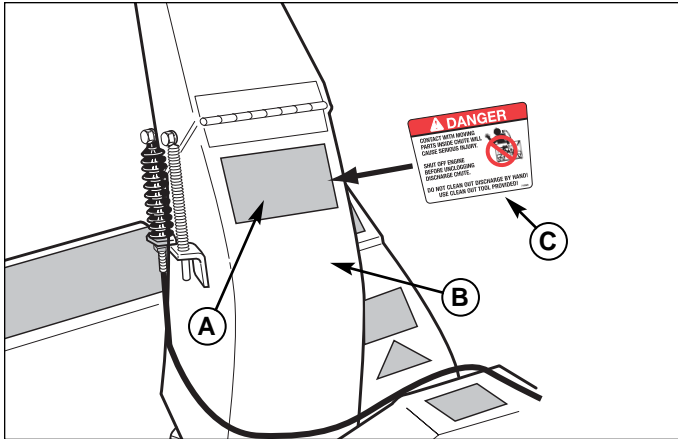


Figure 2.
A. Existing Danger Decal **C. New Danger Decal**
B. Discharge Chute

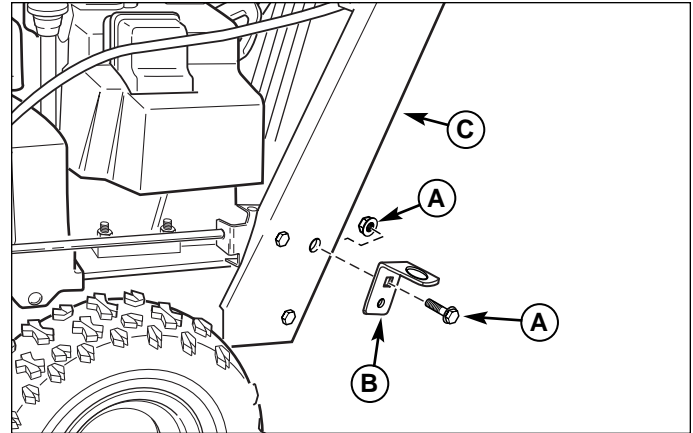


Figure 3. Mounting Lower Bracket (Channel Handle)
A. Existing Hardware **C. Handle, LH**
B. Lower Bracket

INSTALLATION

Decal Installation

1. Clean and dry existing danger decal (A, Figure 2) and surrounding area.
2. Apply new decal (C) by removing the backing from decal and placing directly over existing decal (A) aligning top edges of both decals.

Clean-Out Tool Installation

(CHANNEL HANDLE MODELS)

1. Remove existing hardware (A, Figure 3) from upper back hole on left side handle (C) as shown.
2. Using square hole install lower bracket (B) into upper back hole on left side handle (C) as shown. Secure with existing hardware (A).
3. Measure 16-3/8" from top of bracket (A, Figure 4) to center of handle (B). Center punch and drill a new 13/64 hole (B) in handle.

Note: If using a cab with snowthrower locate hole (B) 1" from edge. See inset in Figure 4.

4. Attach clip (D) to handle (H) securing with #10-24 x 3/4 screw, 11/32 spacer (C), and #10-24 nut (F) mounting through new hole (B).
5. Attach clean out tool (G) to handle (H) by first placing pointed end into bracket (A), then pushing hand grip into clip (D).
6. Read and follow warnings when using the clean-out tool.

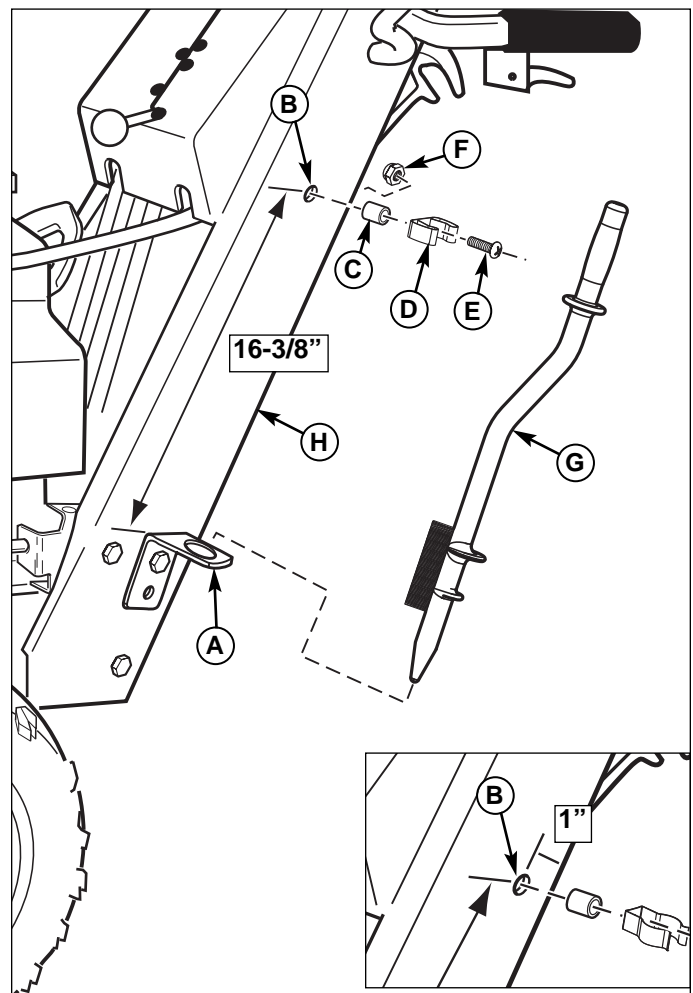


Figure 4. Mounting Clean-Out Tool (Channel Handle)
A. Bracket **F. Locknut, #10-24**
B. New Hole, 13/64" **G. Clean-Out Tool**
C. Spacer, 11/32, **H. Handle, LH**
D. Clip
E. Screw, Phillips, #10-24 x 3/4

(TUBE HANDLE MODELS)

1. Remove existing hardware (A, Figure 5) from upper hole on left side handle (C) as shown. Discard cap-screw (D).
2. Using square hole install lower bracket (B) into upper hole on left side handle (C) as shown. Secure with new 5/16-18 x 2 capscrew (D) and nut (A).

Note: In some cases the upper hole in the left side handle is crimped flat. If so use 5/16-18 x 1 capscrew (D).

3. Measure 16-3/8" from top of bracket (A, Figure 6) to center of handle (B). Center punch and drill a new 13/64 hole (B) in handle (H).
4. Attach clip (D) to handle (H) securing with #10-24 x 2-1/2 screw (E), 1-1/4" spacer (C), and #10-24 lock-nut (F) mounting through new hole (B).
5. Attach clean out tool (G) to handle (H) by first placing pointed end into bracket (A), then pushing hand grip into clip (D).
6. Read and follow warnings when using the clean-out tool.

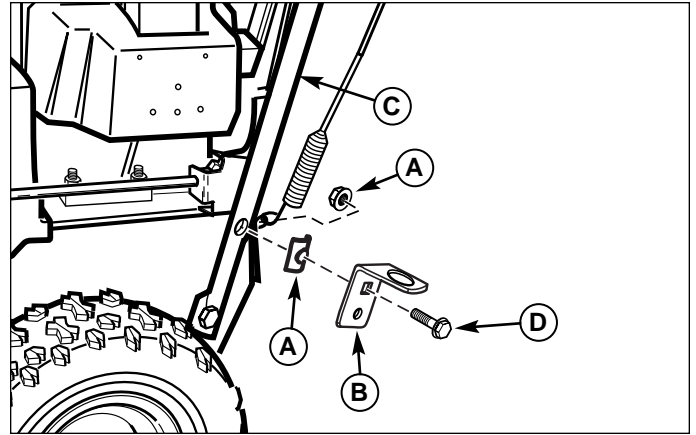


Figure 5. Mounting Lower Bracket (Tube Handle)
A. Existing Hardware **C. Handle, LH**
B. Lower Bracket **D. Capscrew**

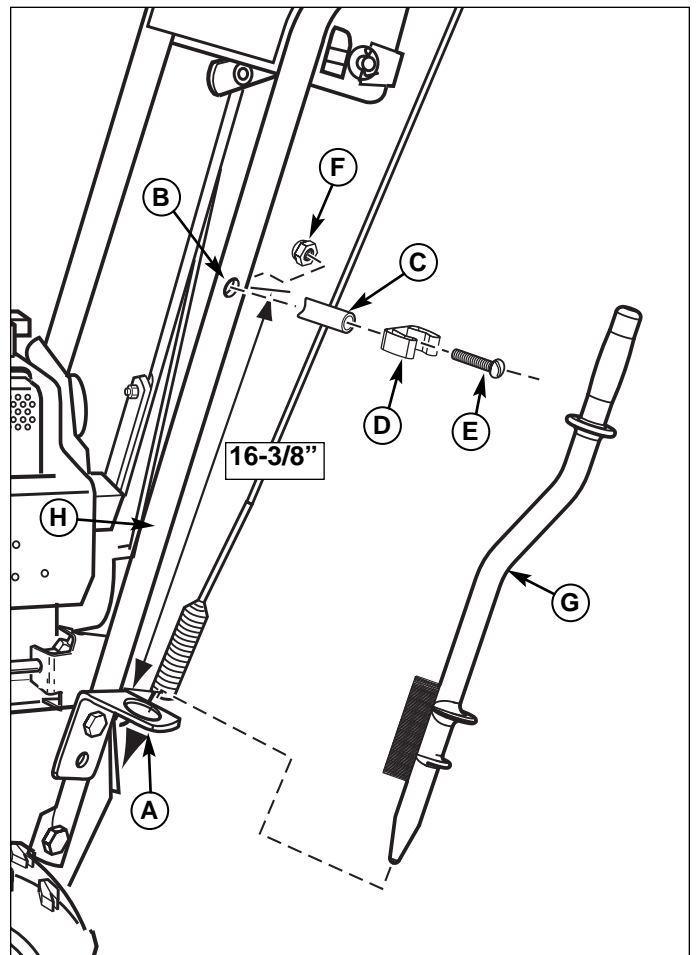


Figure 6. Mounting Clean-Out Tool (Tube Handle)
A. Bracket **F. Locknut, #10-24**
B. New Hole, 13/64" **G. Clean-Out Tool**
C. Spacer, 1-1/4" **H. Handle, LH**
D. Clip
E. Screw, Slotted, #10-24 x 2-1/2

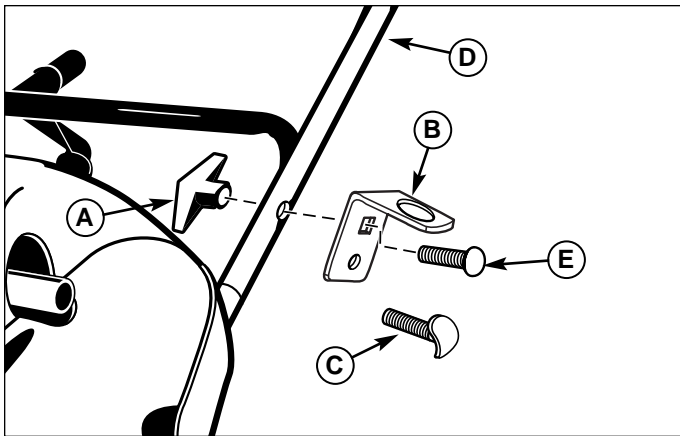


Figure 7. Mounting Lower Bracket (520)
A. Wing Lock Knob **D. Handle, LH**
B. Lower Bracket **E. Carriage Bolt,**
C. Screw, Curved Head **5/16-18 x 1-3/4**

(520 MODELS)

1. Remove wing lock knob (A, Figure 7) and carriage bolt (E) or screw (C) from hole on left side handle (D) as shown. Discard screw (C) if it was used originally.
2. Using square hole install lower bracket (B) into hole on left side handle (D) as shown. Secure with existing or new 5/16-18 x 1-3/4 carriage bolt (E) and wing lock knob.
3. Measure 15-3/8" from top of bracket (A, Figure 8) to center of handle (B). Center punch and drill a new 13/64 hole (B) in handle (H).
4. Attach clip (D) to handle (H) securing with #10-24 x 2-1/2 screw, 1-1/4" spacer (C), and #10-24 locknut (F) mounting through new hole (B).
5. Attach clean out tool (G) to handle (H) by first placing pointed end into bracket (A), then pushing hand grip into clip (D).
6. Read and follow warnings when using the clean-out tool.

(319 MODELS)

Mount to right hand side handle of unit following the same instructions for the 520 models. Rotate position of new clean-out hole (B, Figure 9) approximately 30 degrees from existing bail hole (C) to avoid interference of bail operation.

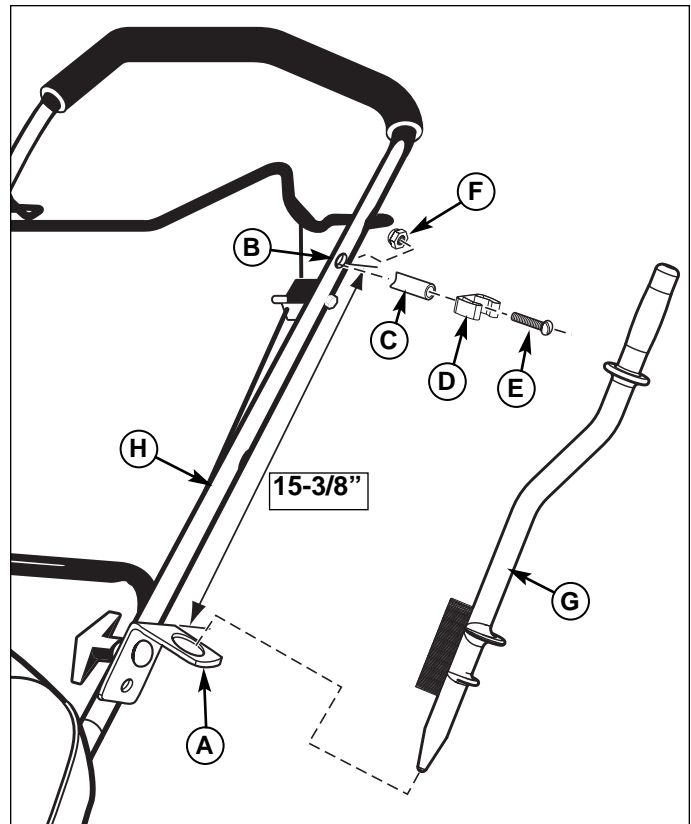


Figure 8. Mounting Clean-Out Tool (520)
A. Bracket **F. Locknut, #10-24**
B. New Hole, 13/64" **G. Clean-Out Tool**
C. Spacer, 1-1/4" **H. Handle, LH**
D. Clip
E. Screw, Slotted, #10-24 x 2-1/2

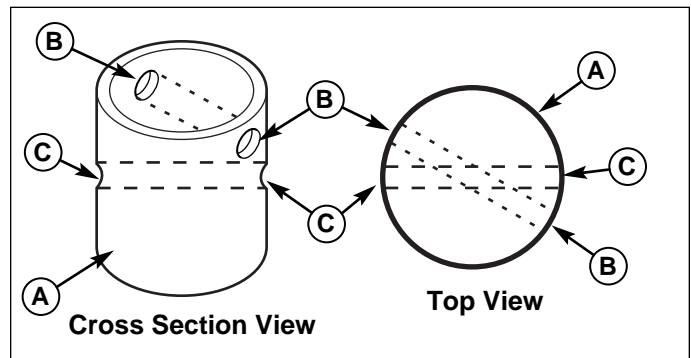


Figure 9. Hole Location 319 Models
A. Handle **C. Existing Bail Hole**
B. New Clean-Out Tool Hole

Simplicity

MANUFACTURING, INC.

500 N Spring Street / PO Box 997
 Port Washington, WI 53074-0997 USA

Form No. 1727771-02

Rev. 01/2007

TP 200-4147-02-SK-SN

Briggs & Stratton Yard Power Products Group
 Copyright © 2007 Briggs & Stratton Corporation
 Milwaukee, WI USA. All Rights Reserved

Free Manuals Download Website

<http://myh66.com>

<http://usermanuals.us>

<http://www.somanuals.com>

<http://www.4manuals.cc>

<http://www.manual-lib.com>

<http://www.404manual.com>

<http://www.luxmanual.com>

<http://aubethermostatmanual.com>

Golf course search by state

<http://golfingnear.com>

Email search by domain

<http://emailbydomain.com>

Auto manuals search

<http://auto.somanuals.com>

TV manuals search

<http://tv.somanuals.com>