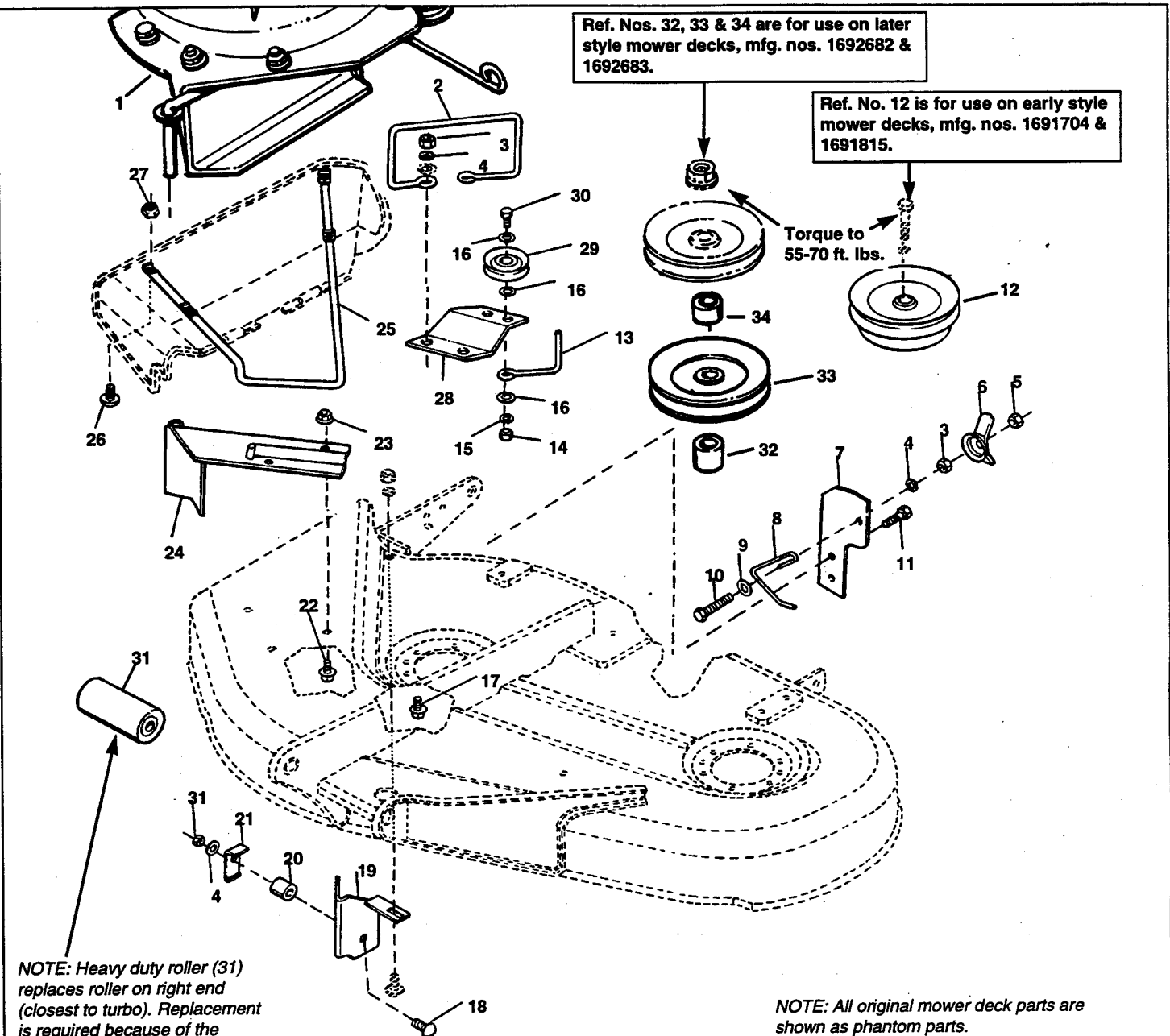


38" Turbo Blower Kit, Mfg. No. 1692714

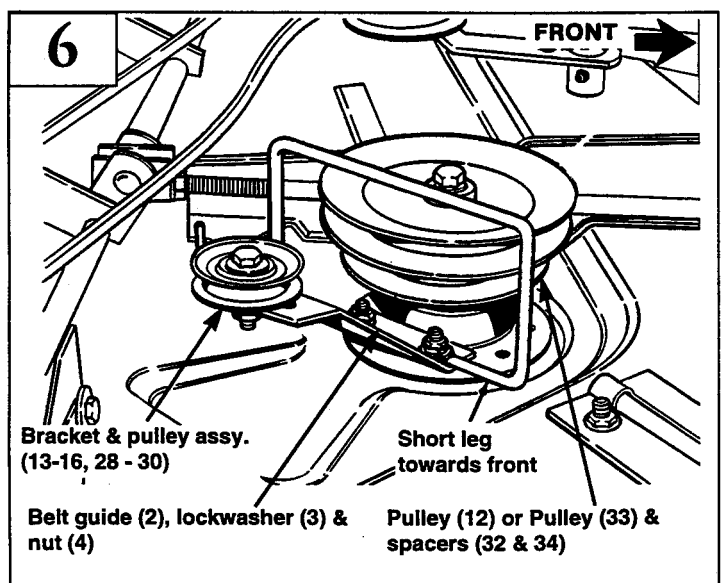
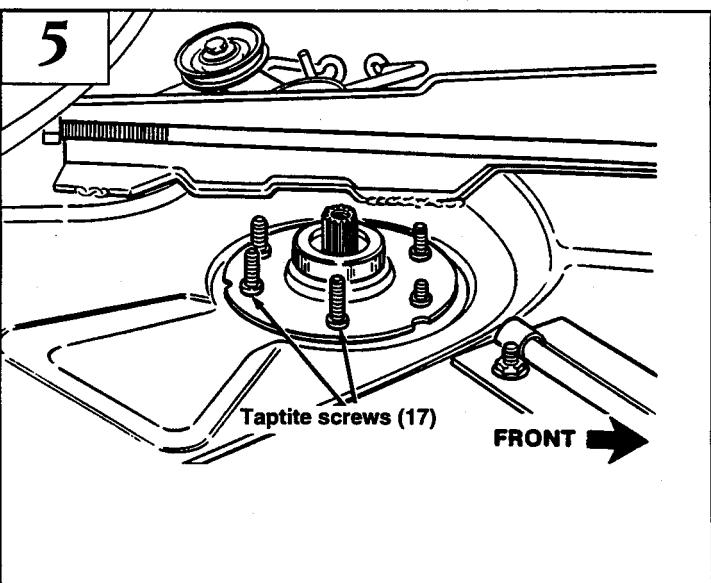
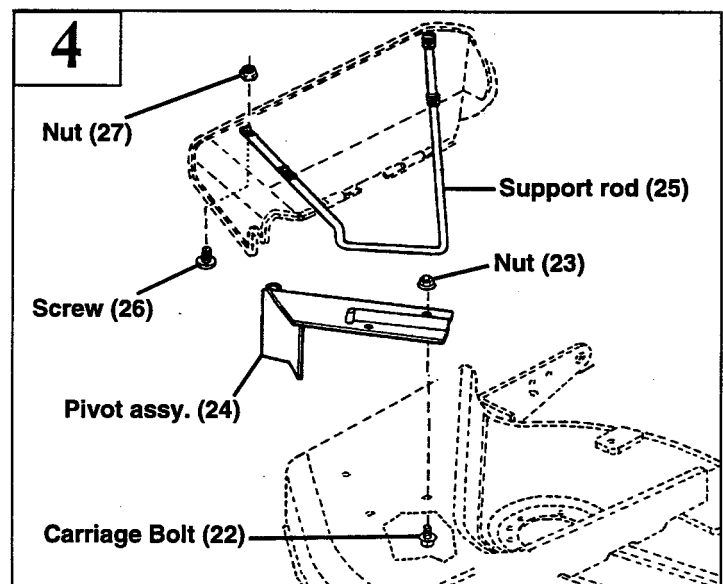
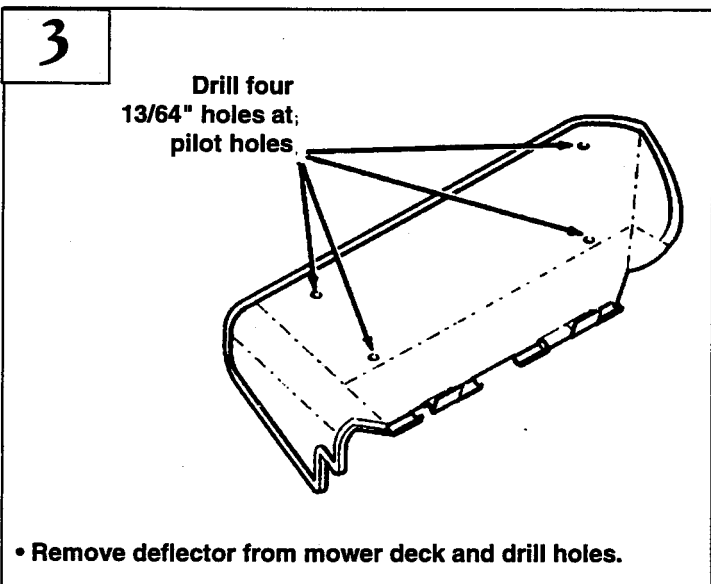
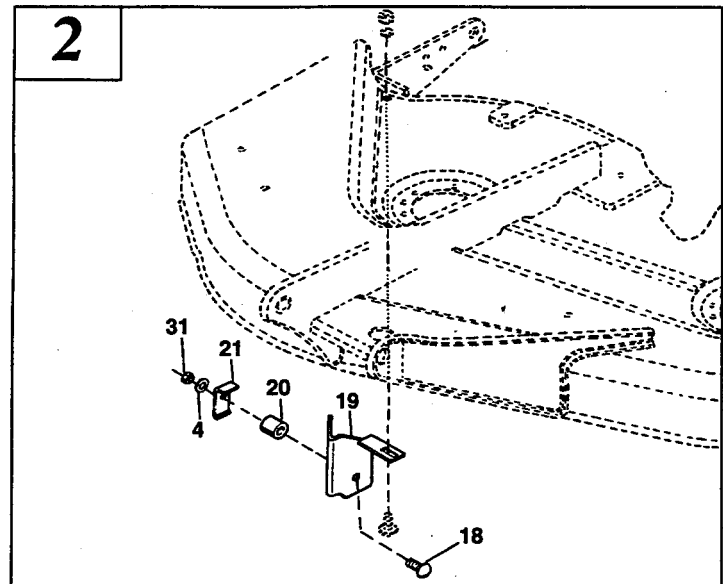
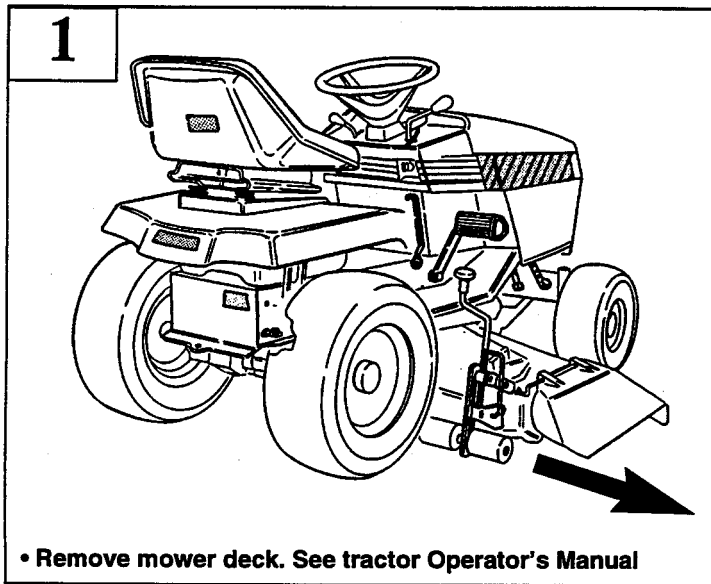


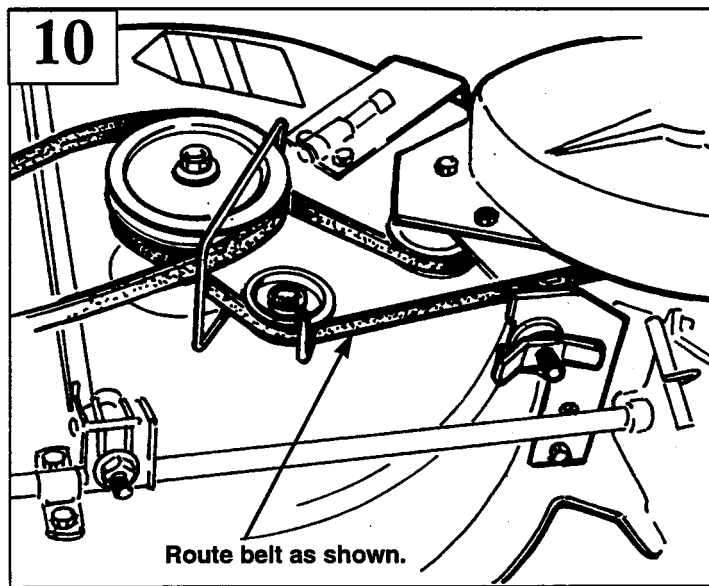
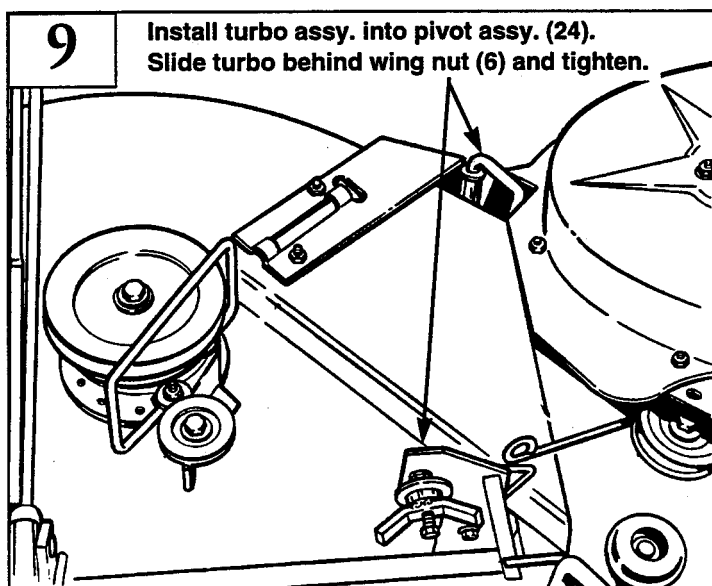
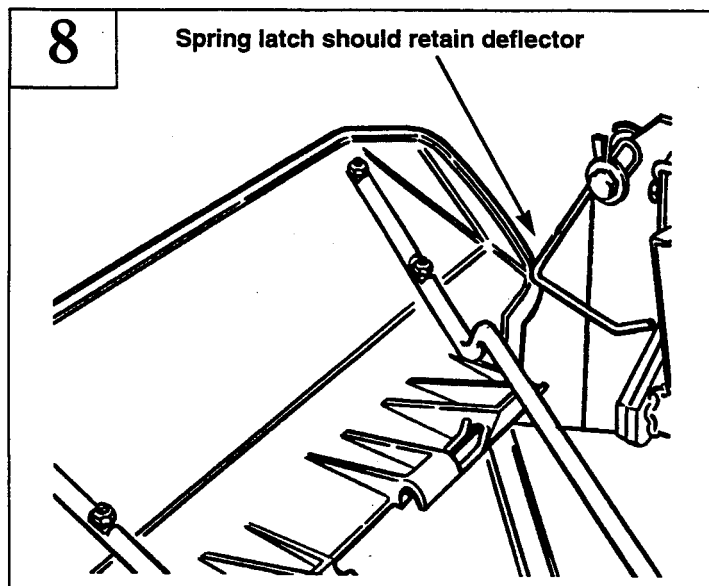
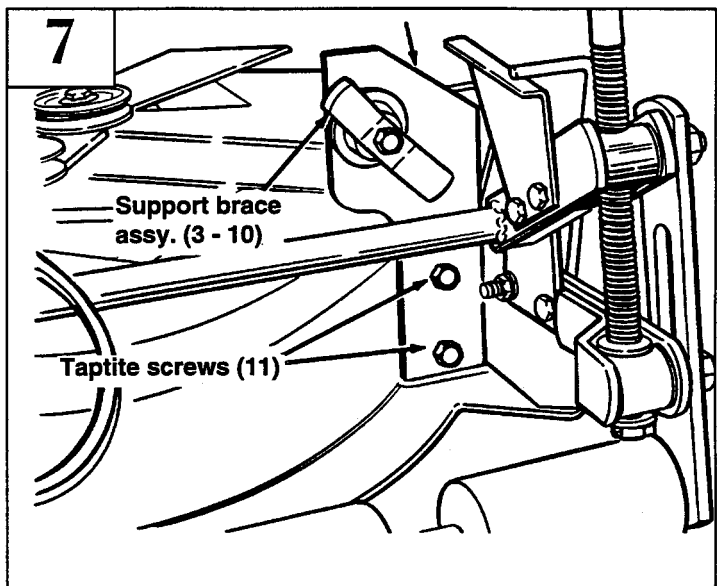
NOTE: Heavy duty roller (31) replaces roller on right end (closest to turbo). Replacement is required because of the turbo's additional weight.

NOTE: All original mower deck parts are shown as phantom parts.

Ref.	Part #	Qty.	Description	Ref.	Part #	Qty.	Description	Ref.	Part #	Qty.	Description
1		1	Turbo Assy.	13	172845	1	BELT STOP	24	1705066	1	PIVOT ASSY.
2	1704789	1	BELT GUIDE, Turbo	14	1916950	1	NUT, Hex, 3/8-16	25	1705716	1	ROD, Deflector
3	1917372	4	NUT, Hex, 5/16-18	15	1916965	1	LOCKWASHER, 3/8	26	1960404	4	SCREW, Truss Hd., #10-24 x 3/4
4	1917356	4	LOCKWASHER, 5/16	16	1924940	3	WASHER, Flat, 3/8	27	1933896	4	NUT, Nylock, #10-24
5	1923362	1	NUT, Hex, Center Lock, 5/16-18	17	1930600	2	SCREW, Taptite, 5/16-18 x 1-1/2	28	1704768	1	BRACKET, Idler,
6	1679163	1	NUT, Wing Assy, 5/16	18	1960223	1	CARRIAGE BOLT, 5/16-18 x 1-1/4	29	1714817	1	IDLER PULLEY
7	1704799	1	BRACE,	19	1704881	1	BRACKET ASSY.,	30	1921971	1	CAPSCREW, 3/8-16 x 1-1/4
8	1705064	1	SPRING LATCH	20	1666294	1	SPACER	31	1713540	1	ROLLER
9	1919381	1	WASHER, Flat	21	1705308	1	BRACKET, "L"	32	1713624	1	SPACER, Long
10	1960318	1	CAPSCREW, Hex Hd, 5/16-18 x 2-1/2	22	1931333	2	CARRIAGE BOLT, 5/16-18 x 3/4	33	1713091	1	PULLEY ASSY.
11	1924856	2	SCREW, Taptite, 5/16-18 x 1/2	23	1931277	2	NUT, Hex, Flange, Whizlock, 5/16-18	34	1713621	1	SPACER, Short, Splined


Assembly





Safety Rules & Operation



Read these safety rules, and the safety rules in your tractor Operator's Manual, and follow them closely. Failure to obey these rules could result in loss of control of vehicle, severe personal injury to yourself, or damage to property or equipment. The triangle  in the text signifies important cautions or warnings which must be followed.

WARNING

When blower assembly is removed from the mower deck, the deflector must be properly installed.

WARNING

If the mower stalls or the turbo blower chute plugs, **DISENGAGE THE ELECTRIC CLUTCH (PTO), STOP THE ENGINE AND REMOVE THE KEY. SET THE PARKING BRAKE. WAIT FOR MOVING PARTS TO STOP.** Remove the foreign object or clear the chute with a piece of wood before restarting the engine. Never place hands into blower housing to clear jammed object. Blower may rotate when object is removed.

WARNING

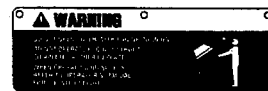
For added tractor stability and to prevent tipping or loss of control:

- Use reduced speed on uneven ground and when turning corners.
- Reduce loads on hillsides. It is recommended that the collection system be kept only half full when negotiating any slopes. Start mowing on slopes when the collection system is empty.
- Mow up and down the face of slopes; never across the face of any slope.

WARNING

When operating on slopes, use front counterweight. Never operate on slopes greater than 30% (16.7°).

- Know the tractor controls and how to stop quickly. **READ THE TRACTOR OPERATOR'S MANUAL.**
- Disengage the electric clutch (PTO). Shut off the engine and wait for all moving parts to stop before attaching, adjusting, or disconnecting any part of the collection system.
- Check the collection system to make sure it is bolted tightly to the tractor.
- Look behind to make sure the area is clear before backing up.
- DO NOT** turn sharply when travelling alongside a building or any object.
- DO NOT** carry passengers on the tractor.
- Heed all warning decals.



OPERATION WITH TURBO

- Grass should be cut often, and not too short. If grass is too long or lush, it may be necessary to keep ground speed to a minimum or to cut only half the width to prevent clogging. If grass is too high, operate with mower in high cutting position. Cut the grass again in lower cutting position, if desired.
- Clear the lawn of all sticks, stones, wire and other debris which may be caught or thrown by the mower blades.
- The blower housing should be removed for cleaning. If a large amount of cut grass is spilling out from under the deck, the tube may be plugged or grass bags are full. Shut off tractor, disengage the PTO and allow all moving parts to stop before disconnecting the tube.
- Always operate at full throttle speed.

OPERATION WITHOUT TURBO

- For operation without the turbo, the deflector must be properly installed in the down position and retained by the spring latch.
- To remove turbo, reverse the installation steps.

RECOMMENDED ACCESSORIES

Front counterweight is recommended when using rear-mounted grass catcher. On slopes over 15% (8.5°), use two rear wheel weights in addition to front counterweight. Always mow up and down the face of slopes, never across the face. Never mow on slopes greater than 30% (16.7°)

NOTE: In these instructions, "left" and "right" are referred to as seen from the operating position.

Simplify

Outdoor Power
Equipment

500 North Spring Street
Port Washington, WI 53074

Form No. 1715651

Printed in U.S.A

1996 © 1/96

Free Manuals Download Website

<http://myh66.com>

<http://usermanuals.us>

<http://www.somanuals.com>

<http://www.4manuals.cc>

<http://www.manual-lib.com>

<http://www.404manual.com>

<http://www.luxmanual.com>

<http://aubethermostatmanual.com>

Golf course search by state

<http://golfingnear.com>

Email search by domain

<http://emailbydomain.com>

Auto manuals search

<http://auto.somanuals.com>

TV manuals search

<http://tv.somanuals.com>