

ELECTRIC START SYSTEM DEALER SET-UP INSTRUCTIONS for SNAPPER LARGE FRAME SNOW THROWERS

INTRODUCTION: It will be necessary to complete Dealer Set-Up Instruction #2-8224 first before attempting to install the electrical components described in this Electric Start System Dealer Set-Up Instruction.

WARNING: Always disconnect spark plug wire from spark plug before performing maintenance on snow thrower. DO NOT operate snow thrower without guards in place. DO NOT put hands into areas that house rotating parts while machine is in operation!

STEP 1: Drill two 5/16 diameter holes in right side of auger housing using dimensions shown. See Figure 1.

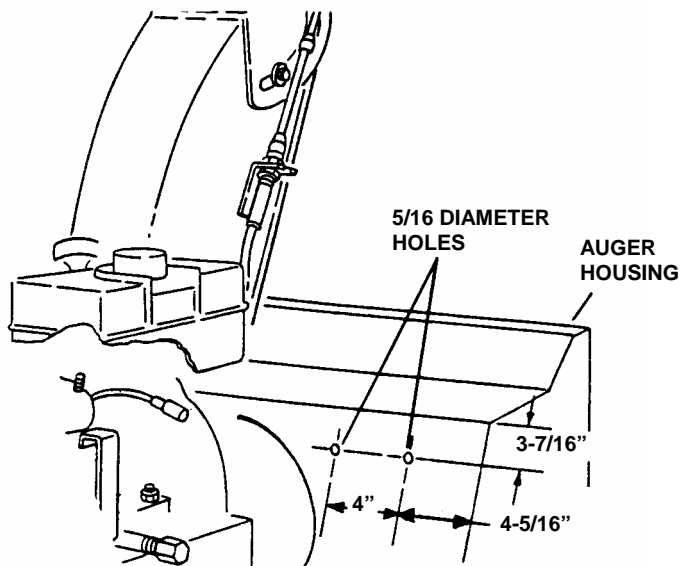


FIGURE 1

STEP 2: Drill two 5/16 diameter holes in control panel within the 5" by 7" boundary lines shown. Drill holes using dimensions shown. See Figure 2.

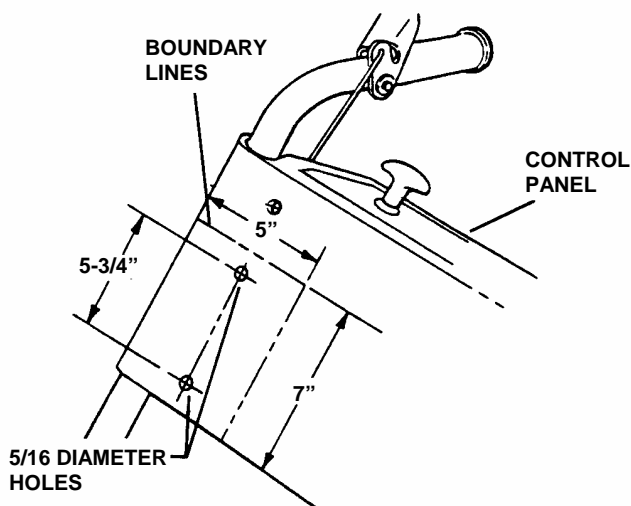


FIGURE 2

STEP 3: Install light onto control panel with washer and nut and tighten securely. Install light wire harness into end of light wire and route down handle and secure with ties as shown. See Figure 3.

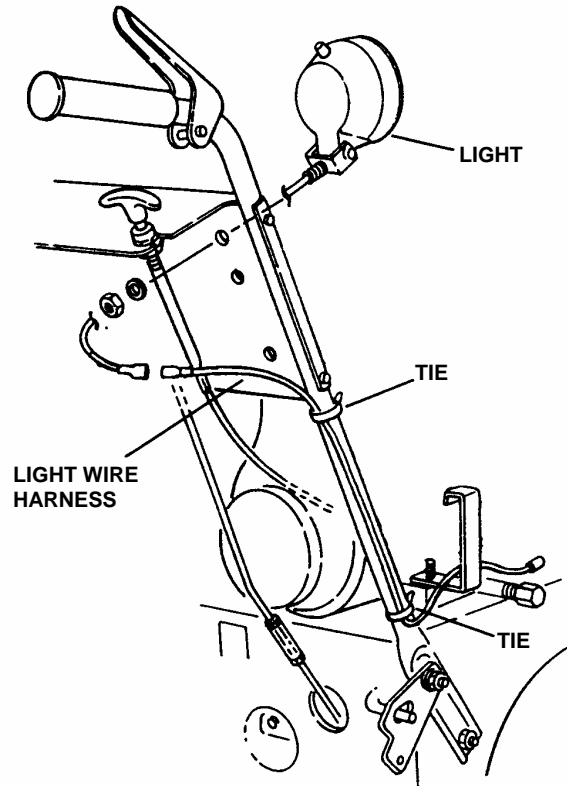


FIGURE 3

STEP 4: Remove battery mounting bracket and battery clamp from #6-0651 Battery Mounting Kit and assemble these parts as shown. See Figure 4.

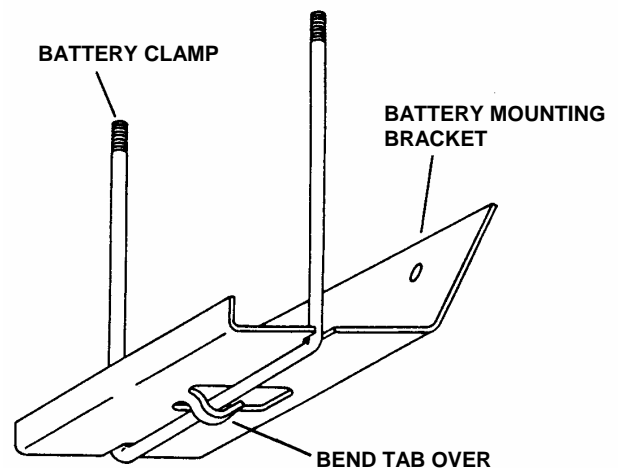


FIGURE 4

INSTRUCTION #2-9693 (I.R. 8/94)

STEP 5: Secure bracket and ground wire to auger housing with nuts; washers and bolts supplied with kit. See Figure 5.

STEP 6: Follow steps as described in #6-0770 Battery Kit to activate battery for mounting and usage.

STEP 7: Install battery and connect ground wire (black ground wire found in kit #6-0651) to negative terminal side of battery with nut and bolt as shown. Tighten nut and bolt securely; do not over tighten. See Figure 5 & 7.

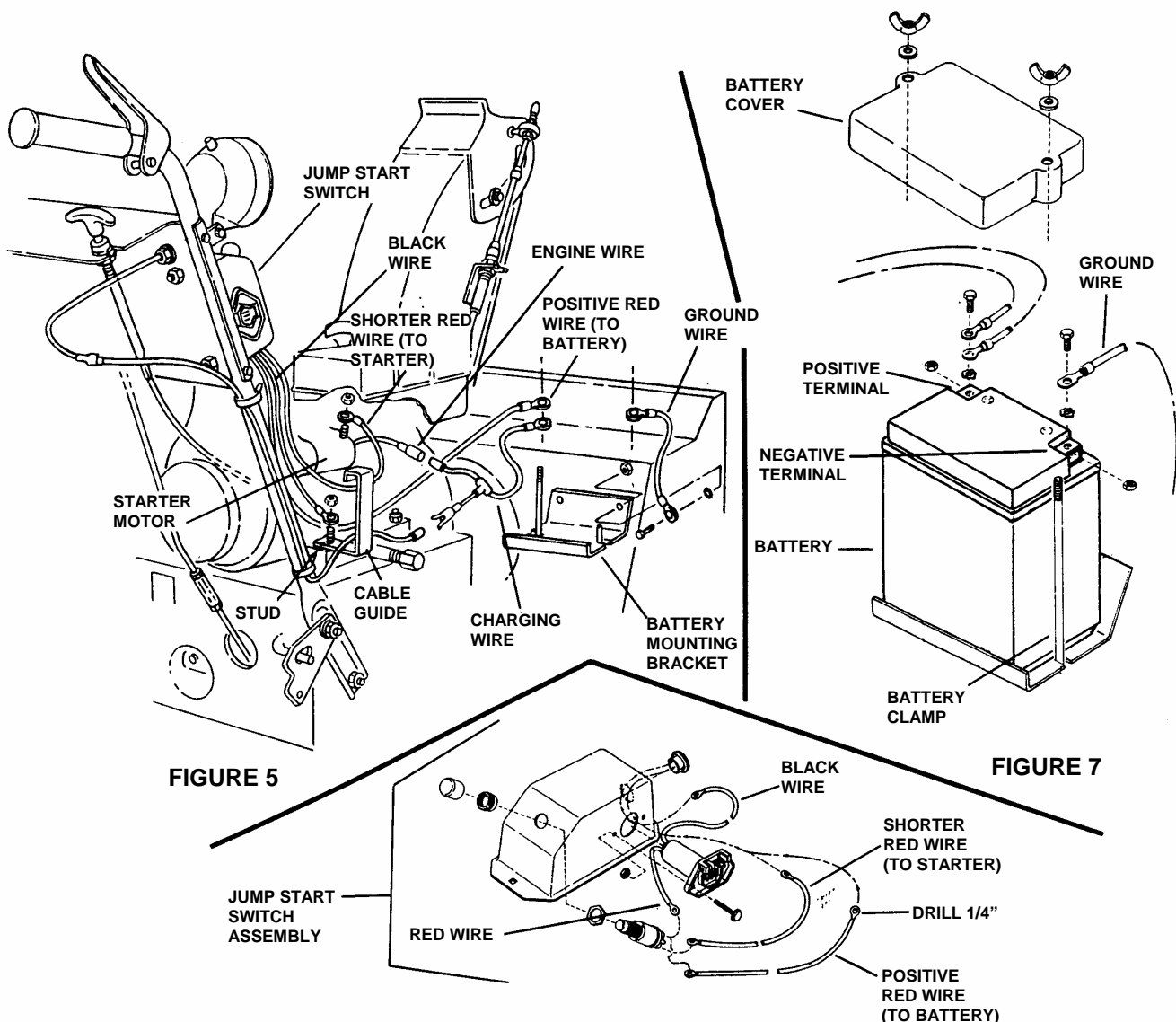
STEP 8: Before mounting jump start switch connect positive red wire (longer red wire that mounts to battery) to switch button as shown. See Figure 6. Mount jump start switch onto control panel using nuts and bolts found in kit #6-0646 Jump Start Kit. See Figure 5.

STEP 9: Loosen nut that secures cable guide to engine base. Install black wire from jump start switch to stud and reinstall nut and tighten securely. See Figure 5.

STEP 10: Remove nut from starter motor and mount shorter red wire from jump start switch and reinstall nut and tighten securely. See Figure 5.

STEP 11: Before mounting positive red wire drill the end that mounts to battery terminal to 1/4" diameter. Mount positive wire (red) and charging wire to positive terminal side of battery with nut and bolt as shown. See Figure 5. NOTE: There are two different charging wires found in #6-0651 Battery Mounting Kit. Visually check charging wire and use the wire that corresponds with correct male and female connectors found on engine. Connect charging wire (male connector) into engine wire (female connector). Connect light wire harness (male connector) into charging wire (female connector).

STEP 12: Mount battery cover and secure with washers and wing nuts as shown. See Figure 7. Make sure all nuts and bolts are tight. All wire connections should be securely connected.



Free Manuals Download Website

<http://myh66.com>

<http://usermanuals.us>

<http://www.somanuals.com>

<http://www.4manuals.cc>

<http://www.manual-lib.com>

<http://www.404manual.com>

<http://www.luxmanual.com>

<http://aubethermostatmanual.com>

Golf course search by state

<http://golfingnear.com>

Email search by domain

<http://emailbydomain.com>

Auto manuals search

<http://auto.somanuals.com>

TV manuals search

<http://tv.somanuals.com>