

Attachment Illustrated Parts List



Attachment

Mfg. No.	Description
1694543	Wide Body Cart Collector Hitch & Tube Kit

Simplicity

MANUFACTURING, INC.
500 N. Spring Street / PO Box 997
Port Washington, WI 53074-0997 USA

www.simplicitymfg.com

© Copyright 2007 Simplicity Manufacturing, Inc. All Rights Reserved. Printed In USA.

Part No.: 1734881

Rev. 04/2007

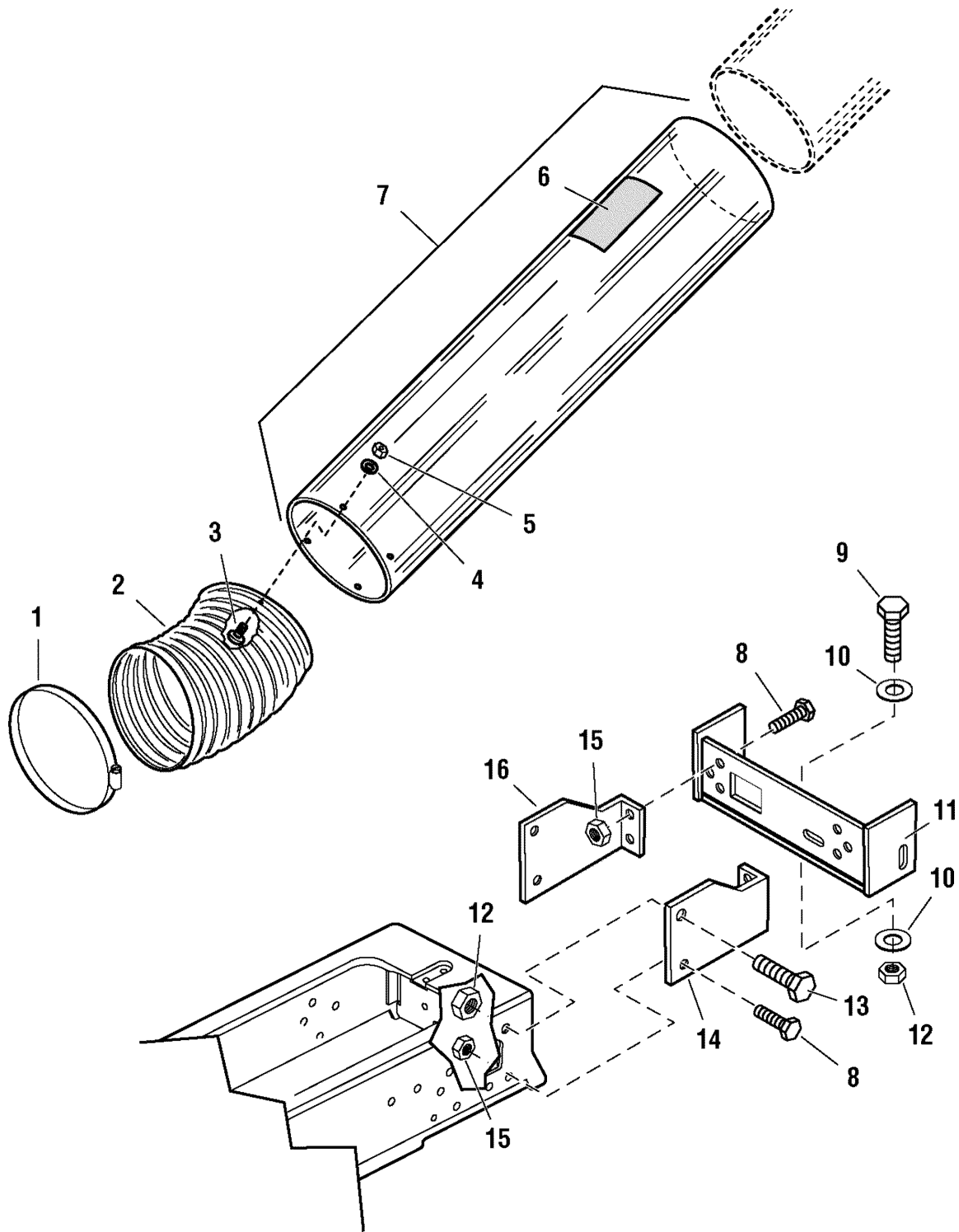
TP 400-4575-00-AT-SMA

PRODUCT COMPONENTS	PAGES
Hitch & Tube Group	4
Torque Specification Chart	Inside Back Cover

Hitch & Tube Group

986480

NOTE: Unless noted otherwise,
use the standard hardware torque
specification chart.



The above parts group applies to the following Mfg. Nos.:

1694543 - Wide Body Cart Collector Hitch & Tube Kit

Hitch & Tube Group

REF NO	PART NO.	QTY.	DESCRIPTION
1	1679896SM	1	CLAMP, Hose 6", Band Type
2	1679895SM	1	HOSE, Vac Col, 6 x 12
3	1930531SM	4	SCREW, Truss Head, Phillips, #10-32 x 1/2
4	1910531SM	4	WASHER, #10-32
5	1928919SM	4	NUT, Hex Washer, #10-32
6	1675766SM	1	DECAL, Cleaning Instructions
7	1700773SM	1	TUBE & DECAL ASSEMBLY (Includes Ref. No.6)
8	1921210SM	6	CAPSCREW, Hex Head, 3/8-16 x 1
9	1921176SM	4	CAPSCREW, Hex Head, 1/2-13 x 1-1/4
10	1918431SM	4	WASHER, 1/2
11	1723883SM	1	HITCH, Cart
12	1922134SM	3	NUT, Hex Centerlock, 1/2/2013
13	1923114SM	2	CAPSCREW, Hex Head, 1/2-13 x 1
14	1723885SM	1	ADAPTER, Hitch RH
15	1930651SM	6	NUT, Hex Centerlock, 3/8-16
16	1723884SM	1	ADAPTER, Hitch LH

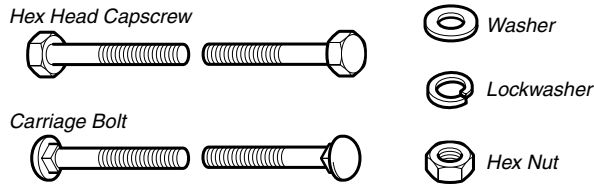
Footnotes

The above parts group applies to the following Mfg. Nos.:

1694543 - Wide Body Cart Collector Hitch & Tube Kit

Hardware Identification & Torque Specifications

Common Hardware Types

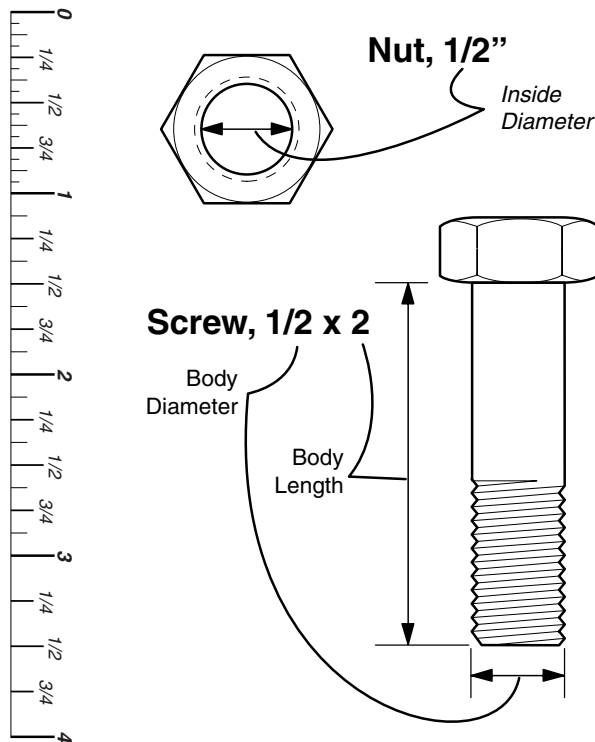


Standard Hardware Sizing

When a washer or nut is identified as **1/2"**, this is the *Nominal size*, meaning the *inside diameter* is 1/2 inch; if a second number is present it represent the *threads per inch*

When bolt or capscrew is identified as **1/2 - 16 x 2"**, this means the *Nominal size*, or *body diameter* is 1/2 inch; the second number represents the *threads per inch* (16 in this example, and the final number is the *body length* of the bolt or screw (in this example 2 inches long).

The guides and ruler furnished below are designed to help you select the appropriate hardware and tools.



Torque Specification Chart						
FOR STANDARD MACHINE HARDWARE (Tolerance $\pm 20\%$)						
Hardware Grade	No Marks SAE Grade 2		SAE Grade 5		SAE Grade 8	
	in/lbs ft/lbs	Nm.	in/lbs ft/lbs	Nm.	in/lbs ft/lbs	Nm.
8-32	19	2.1	30	3.4	41	4.6
8-36	20	2.3	31	3.5	43	4.9
10-24	27	3.1	43	4.9	60	6.8
10-32	31	3.5	49	5.5	68	7.7
1/4-20	66	7.6	8	10.9	12	16.3
1/4-28	76	8.6	10	13.6	14	19.0
5/16-18	11	15.0	17	23.1	25	34.0
5/16-24	12	16.3	19	25.8	27	34.0
3/8-16	20	27.2	30	40.8	45	61.2
3/8-24	23	31.3	35	47.6	50	68.0
7/16-14	30	40.8	50	68.0	70	95.2
7/16-20	35	47.6	55	74.8	80	108.8
1/2-13	50	68.0	75	102.0	110	149.6
1/2-20	55	74.8	90	122.4	120	163.2
9/16-12	65	88.4	110	149.6	150	204.0
9/16-18	75	102.0	120	163.2	170	231.2
5/8-11	90	122.4	150	204.0	220	299.2
5/8-18	100	136	180	244.8	240	326.4
3/4-10	160	217.6	260	353.6	386	525.0
3/4-16	180	244.8	300	408.0	420	571.2
7/8-9	140	190.4	400	544.0	600	816.0
7/8-14	155	210.8	440	598.4	660	897.6
1-8	220	299.2	580	788.8	900	1,244.0
1-12	240	326.4	640	870.4	1,000	1,360.0

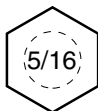
NOTES

- These torque values are to be used for all hardware excluding: locknuts, self-tapping screws, thread forming screws, sheet metal screws and socket head setscrews.
- Recommended seating torque values for locknuts:
 - for prevailing torque locknuts - use 65% of grade 5 torques.
 - for flange whizlock nuts and screws - use 135% of grade 5 torques.
- Unless otherwise noted on assembly drawings, all torque values must meet this specification.

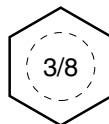
Wrench & Fastener Size Guide



1/4" Bolt or Nut
Wrench—7/16"



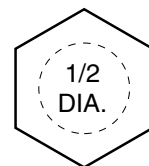
5/16" Bolt or Nut
Wrench—1/2"



3/8" Bolt or Nut
Wrench—9/16"



7/16" Bolt or Nut
Wrench (Bolt)—5/8"
Wrench (Nut)—11/16"



1/2" Bolt or Nut
Wrench—3/4"

Free Manuals Download Website

<http://myh66.com>

<http://usermanuals.us>

<http://www.somanuals.com>

<http://www.4manuals.cc>

<http://www.manual-lib.com>

<http://www.404manual.com>

<http://www.luxmanual.com>

<http://aubethermostatmanual.com>

Golf course search by state

<http://golfingnear.com>

Email search by domain

<http://emailbydomain.com>

Auto manuals search

<http://auto.somanuals.com>

TV manuals search

<http://tv.somanuals.com>