

Parts Manual for
SNAPPER®

**TWO-STAGE INTERMEDIATE FRAME
SNOW THROWER
SERIES 5 & 6**



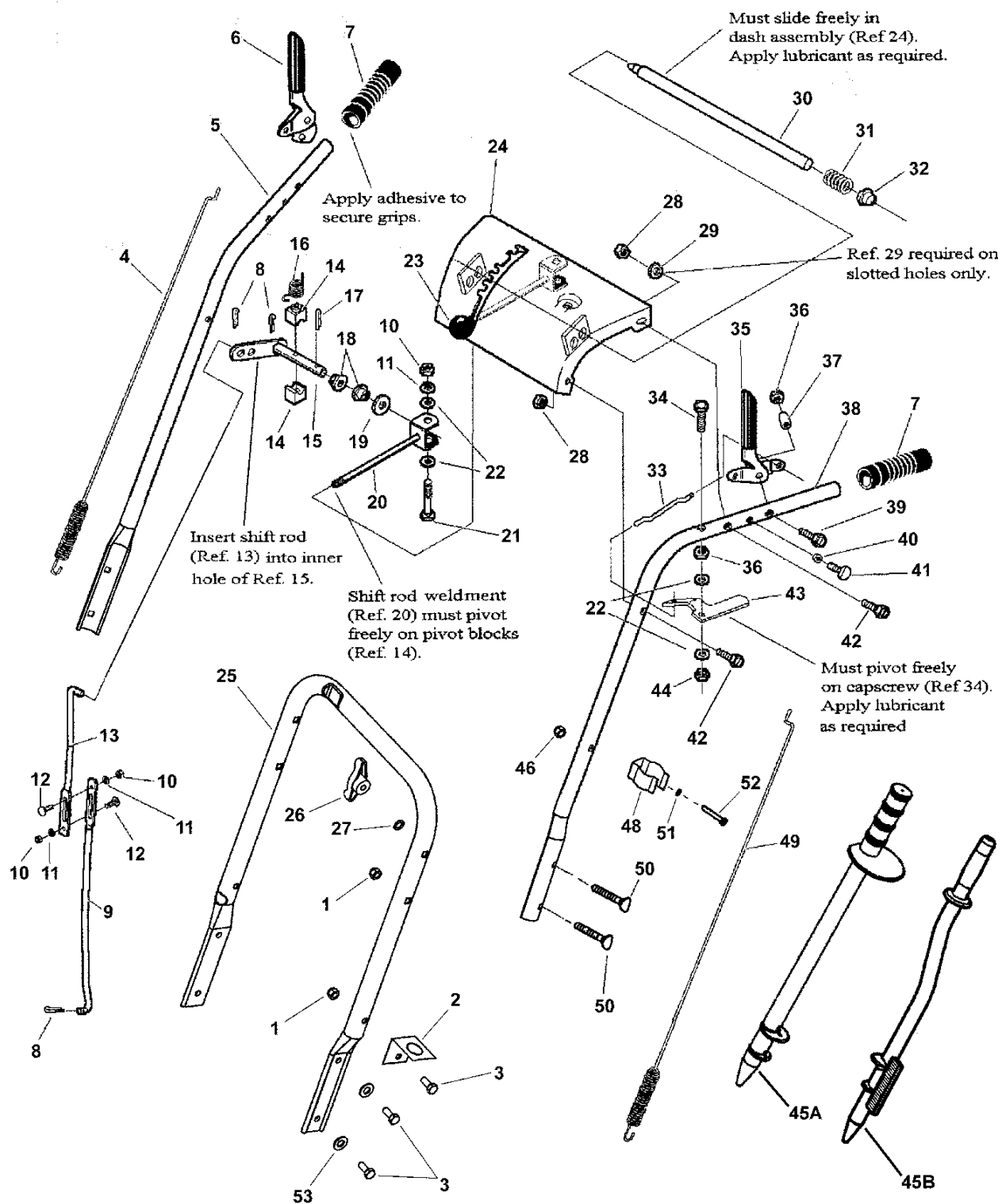
MODEL

**EI5225
EI75225
EI75246
EI75246E
EI8245
EI85245
I5225
I75225
I75246E
I8245E
I85245E**

SNAPPER® McDonough, GA, 30253 U.S.A.

PAGE	GROUP
4	UPPER HANDLES, DASH, CONTROLS
8	CHUTE CRANK CONTROL
10	COLLECTOR HOUSING (3 Piece Bolted)
12	DISCHARGE CHUTE
14	AUGERS, IMPELLER, GEAR CASE, SHAFT
16	TRACTION DRIVE GROUP
20	ENGINE, PULLEYS, IDLER (5 HP Tecumseh)
24	ENGINE, PULLEYS, IDLER (7-1/2, 8, 8-1/2 HP Briggs)
30	WHEELS
32	DECALS
34	ELECTRIC START COMPONENTS

UPPER HANDLES, DASH, CONTROLS

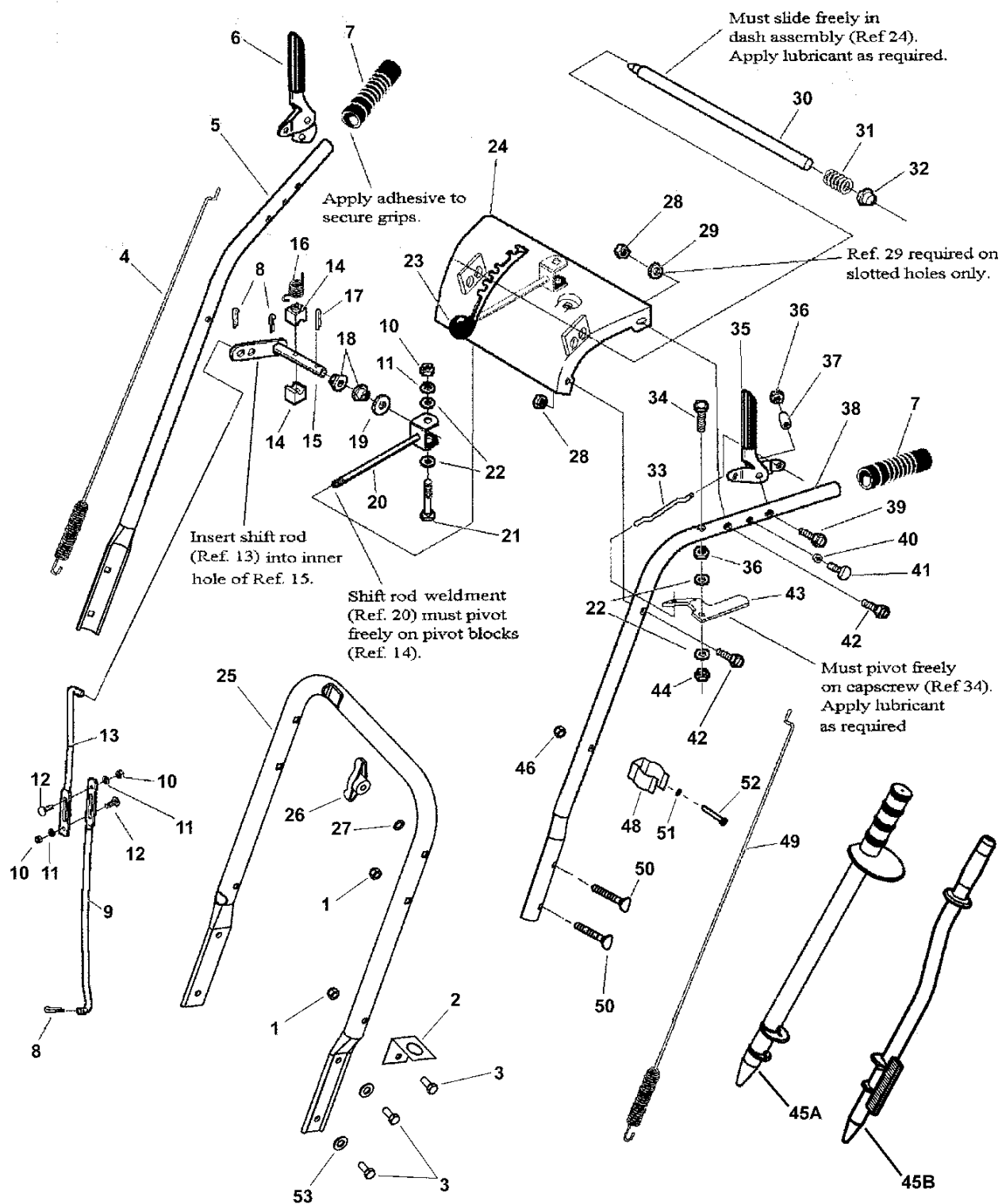


UPPER HANDLES, DASH, CONTROLS

Item	Part No	Qty	Description	Note
1	1919438	2	NUT, 5/16-18 Hex Nyloc	<i>or 7091298</i>
2	1726727	1	BRACKET, Snow Stick- Lower	
3	1921332	4	SCREW, 5/16-18 x 3/4" Hex Head Cap	<i>or 7091318</i>
4	7027426	1	CLUTCH CABLE, Auger Drive- RH	<i>part number is stamped on cable</i>
5	1726574	1	HANDLE, Upper, Right Hand	
6	1722638	1	GRIP, Clutch, RH	
7	1726317	2	GRIP, Foam, Black	
8	1722460	3	HAIR PIN	
9	1666255	1	ROD, Shift, Lower	
10	1916622	2	NUT, 1/4-20 2B Hex	
11	1916964	3	LOCKWASHER, 1/4" Spring	
12	1931317	2	BOLT, 1/4-20 x 2" Short Square Neck Carriage, GR 5	
13	1720238	1	ROD, Upper, Shift	
14	1668524	2	BLOCK, Pivot	
15	1720240	1	WELDMENT, Shift Rod Pivot	
16	1715123	1	SPRING, Compression	
17	1918452	1	COTTER PIN, .125 x 1.00	
18	1668185	2	BUSHING, .500 ID x .750 OD x .25	
19	1924361	1	WASHER, 1/2" Flat (.531 ID x 1.250 OD x .08 Thick)	
20	1668523	1	WELDMENT, Shift Rod	
21	1960705	1	SCREW, 1/4-20 x 2-1/4" Hex Flange Lock	
22	1921319	2	WASHER, .250 (.27 ID x .62 OD)	
23	1726734	1	KNOB, Tapered - 3/8-16 Internal Thread- Red	
24	1726983	1	WELDMENT, Dash	
25	1726572	1	HANDLE, Lower	
26	7035744	2	WING KNOB, 5/16-18	
27	7090391	2	WASHER, 5/16" Internal Tooth Lock	
28	1960686	4	NUT, 5/16-18 Hex Flange Nyloc	
29	1919326	2	WASHER, .312 (.34 ID x .75 OD)	<i>or 7014098</i>
30	1722633	1	ASSEMBLY, Rod w/Pin	<i>includes items 32, 47, 54, 55 & 56.</i>
31	1722690	1	SPRING, Compression	
32	1960519	1	PUSH NUT	
33	1722630	1	ROD, Hold Down	
34	1960662	1	SCREW, 1/4-20 x 2" Hex Head Cap, GR 5	
35	1722667	1	GRIP, Clutch, LH	
36	1923358	2	NUT, 1/4-20 Hex Centerlock	
37	1715655	2	SPACER, Handle	

Footnotes:

UPPER HANDLES, DASH, CONTROLS



UPPER HANDLES, DASH, CONTROLS

Item	Part No	Qty	Description	Note
38	1726573	1	HANDLE, Upper, Left Hand	
39	1922837	2	SCREW, 1/4-20 x 1-1/2" Hex Head Cap	
40	1715654	2	SPACER, .268 ID x .394 x .165	
41	1960671	2	SCREW, 1/4-20 x 3/4" Pan Head Torx Self-Tap	
42	1921221	5	SCREW, 5/16-18 x 1-1/2" Hex Head Cap, GR 5	
43	1722631	1	LEVER, Pivot	
44	1920397	2	NUT, 1/4-20 Hex Nyloc	
45A	7075909	1	SNOW STICK	
45B	1733209	1	SNOW STICK w/Brush	<i>replaces 7075909</i>
46	7091267	1	NUT, #10-24 Hex Center Lock	
47	1722632	1	ROD, Hand Control	<i>not shown; part of item 30</i>
48	7071895	1	HOLDER, Snostik- Upper	
49	7027425	1	CLUTCH CABLE, Ground Drive- LH	<i>parts number is stamped on cable</i>
50	7091189	4	BOLT, 5/16-18 x 2" Curved Head Square Neck GR 2	
51	7090011	1	WASHER, #10 Internal Tooth Lock	
52	7091266	1	SCREW, #10-24 x 2" Hex Washer Head Machine, GR 5	
53	1917356	4	LOCKWASHER, Spring .312	<i>or 7091315</i>
54	1722635	1	BUSHING, .250 ID x .375 OD x .750	<i>not shown; part of item 30</i>
55	1722634	1	PIN, Clevis	<i>not shown; part of item 30</i>
56	1722613	1	SPRING, Compression	<i>not shown; part of item 30</i>

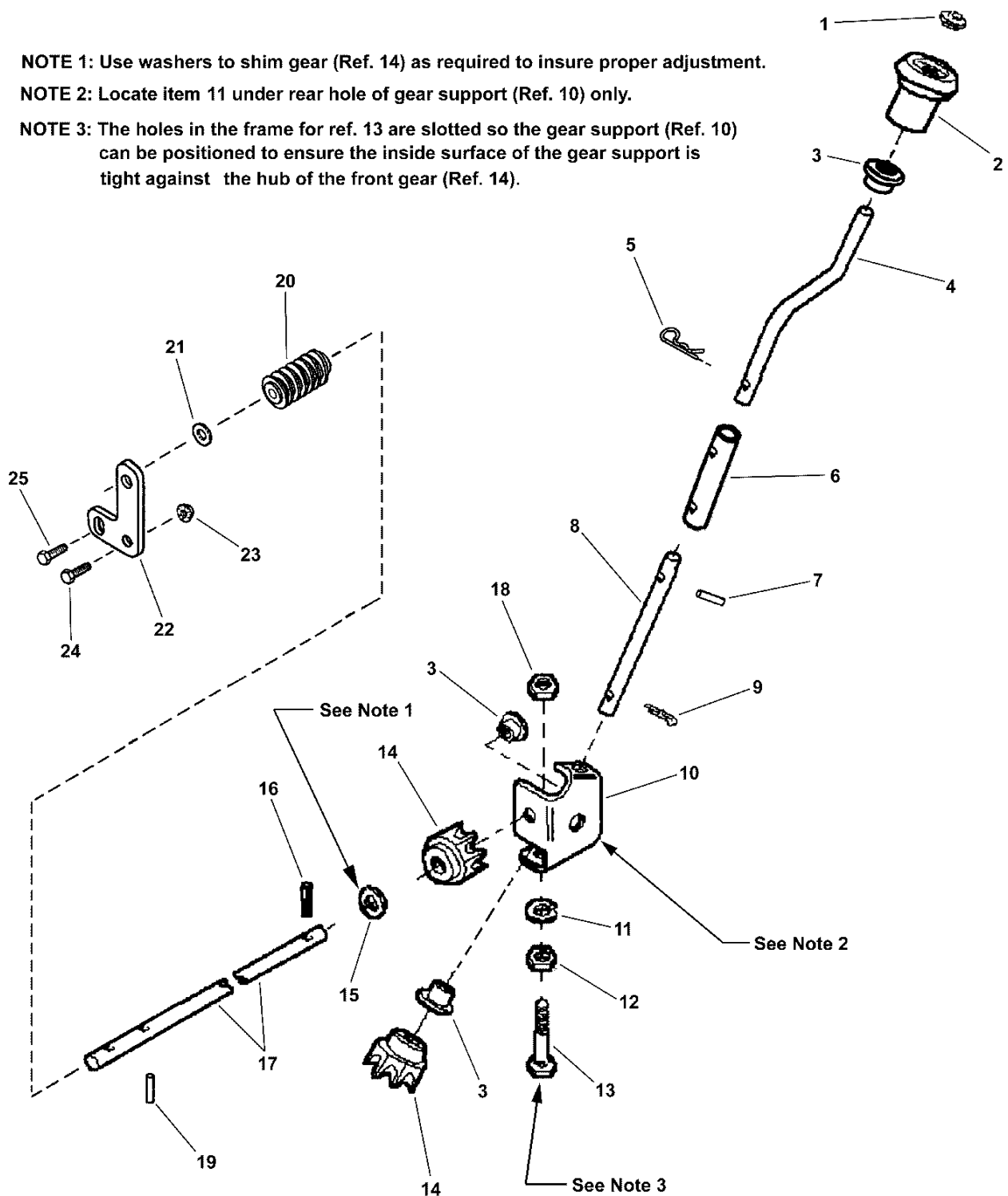
Footnotes:

CHUTE CRANK CONTROL

NOTE 1: Use washers to shim gear (Ref. 14) as required to insure proper adjustment.

NOTE 2: Locate item 11 under rear hole of gear support (Ref. 10) only.

NOTE 3: The holes in the frame for ref. 13 are slotted so the gear support (Ref. 10) can be positioned to ensure the inside surface of the gear support is tight against the hub of the front gear (Ref. 14).

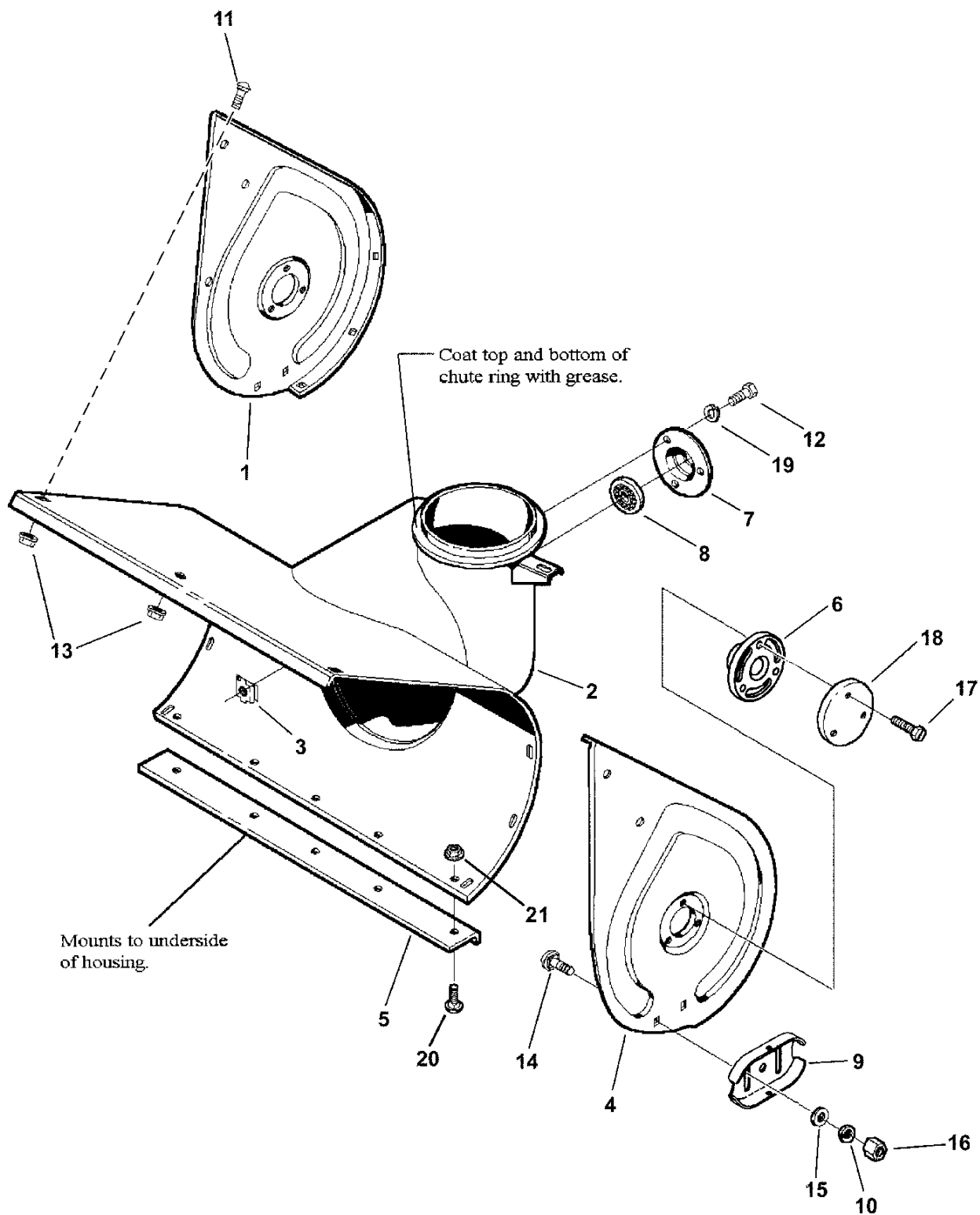


CHUTE CRANK CONTROL

Item	Part No	Qty	Description	Note
1	1960093	1	PUSH NUT, Pal. .375 Dia. Stud Cap	
2	1714084	1	KNOB, Spinner	
3	1667588	3	BUSHING, .376 x .437 x .20	
4	7028152	1	ROD, Chute, Upper	
5	1960074	1	CLIP, .093 Dia. Hair Pin	
6	1720577	1	SPLICE, Chute Handle	
7	1926228	1	SPRING PIN, .156 x 1.000	
8	1726939	1	ROD, Chute Lower	
9	1918452	1	COTTER PIN, .125 x 1.00	
10	1718793	1	BRACKET, Universal Gear	
11	1921319	3	WASHER, .250 (.27 ID x .62 OD)	
12	1960518	2	RETAINER, 1/4" Bolt	
13	1960252	2	BOLT, 1/4-20 x 5/8" Short Square Neck Carriage	
14	1718593	2	GEAR, Universal	
15	1960103	1	WASHER, 3/8" Flat- Black	
16	1916168	1	SPRING PIN, .125 x .750	
17	7028159	1	WORM SHAFT	
18	1960294	2	NUT, 1/4-20 Hex Flange Lock	
19	7014001	1	ROLL PIN, 1/8 x 3/4"	
20	7021828	1	WORM	
21	7011724	1	WASHER, .44 x .78 x .025 Curved	
22	7028162	1	BRACKET, Worm	
23	7091070	1	NUT, 5/16-18 Hex Flange Lock	
24	7091138	1	SCREW, 5/16-18 x 5/8" Hex Head Cap, GR 5	
25	7090539	1	SCREW, 1/4-20 x 1/2" Hex Washer Self-Tap	

Footnotes:

COLLECTOR HOUSING (3 Piece Bolted)

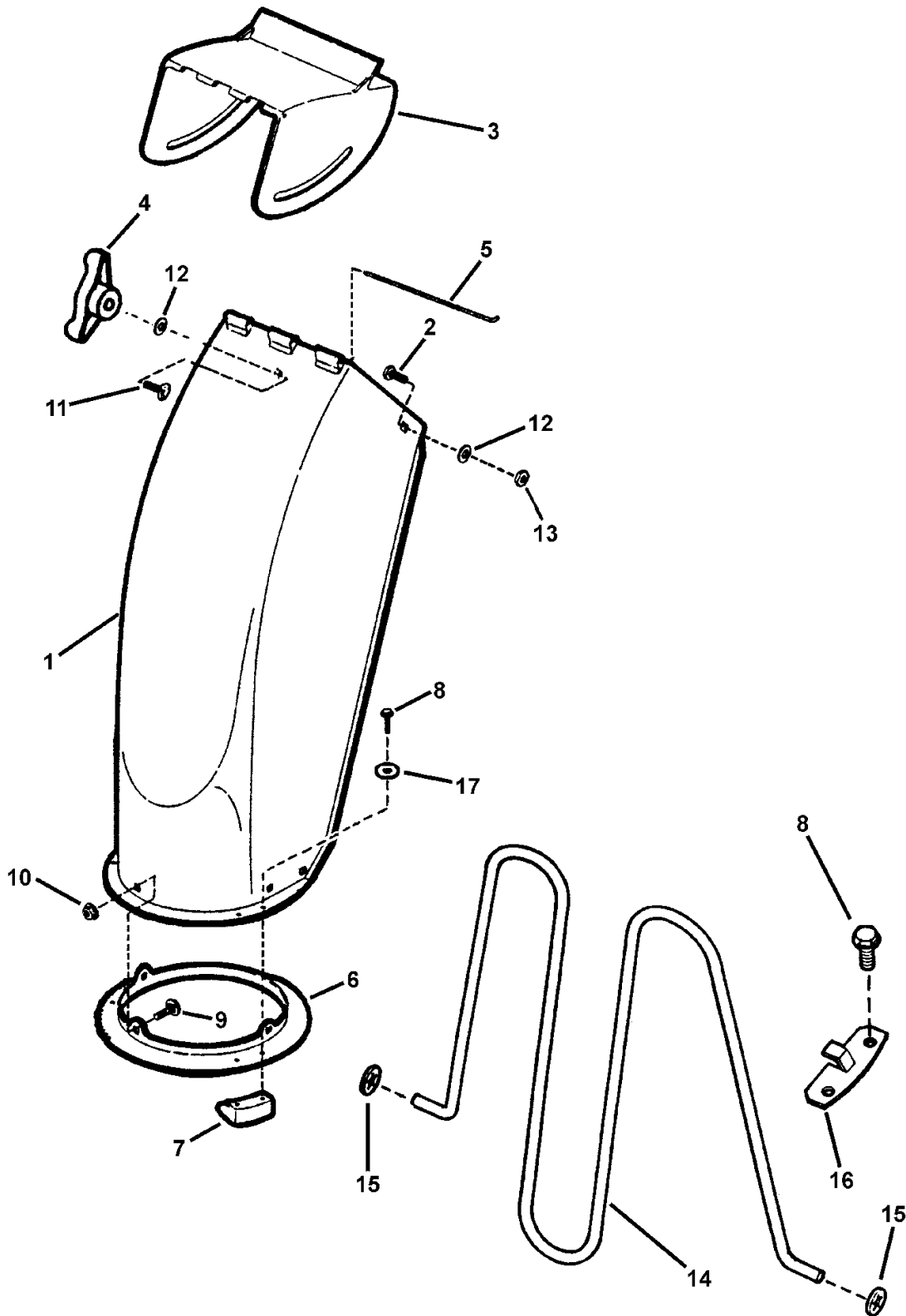


COLLECTOR HOUSING (3 Piece Bolted)

Item	Part No	Qty	Description	Note
1	7072542	1	END PLATE, RH- Auger Housing- Red	
2	7072547	1	WELDMENT, Auger Housing - 22" - Red	
2	7072567	1	WELDMENT, Auger Housing - 24" - Red	
3	1930659	3	RETAINER NUT, 5/16-18	
4	7072544	1	END PLATE, LH- Auger Housing- Red	
5	7300099	1	BLADE, Scraper- 22"	<i>replaces 1675080</i>
5	7200098	1	BLADE, Scraper- 24"	<i>replaces 1725352</i>
6	1726457	2	BEARING, Auger	
7	1665982A	1	RETAINER, Bearing	
8	108202	1	BALL BEARING	
9	7072552	2	SKID SHOE, Reversible- Red	<i>or 1727854</i>
10	1916965	4	WASHER, 3/8" Split Lock	<i>or 7091320</i>
11	1931315	12	BOLT, 1/4-20 x 1/2" Short Square Neck Carriage, GR 5	<i>or 7091604</i>
12	7090204	3	SCREW, 5/16-18 x 5/8 Hex Head Cap, GR 5	<i>or 1925205</i>
13	1930641	12	NUT, 1/4-20 Hex Flange Lock Large	
14	1960711	4	BOLT, 3/8-16 x 3/4" Square Neck Carriage	<i>or 7091923</i>
15	1924940	4	WASHER, 3/8" Flat	<i>or 7090122</i>
16	1960687	4	NUT, 3/8-16 Hex Nyloc	
17	7091742	6	SCREW, 5/16-18 x 1" Hex Washer Self-Tap	
18	7072549	2	CAP, Bearing, Red	
19	7091315	3	WASHER, 5/16" Split Lock	<i>or 1917356</i>
20	7091208	5	BOLT, 1/4-20 x 7/16" Short Square Neck Carriage, GR 5	
21	7091065	5	NUT, 1/4-20 Hex Flange Lock	

Footnotes:

DISCHARGE CHUTE



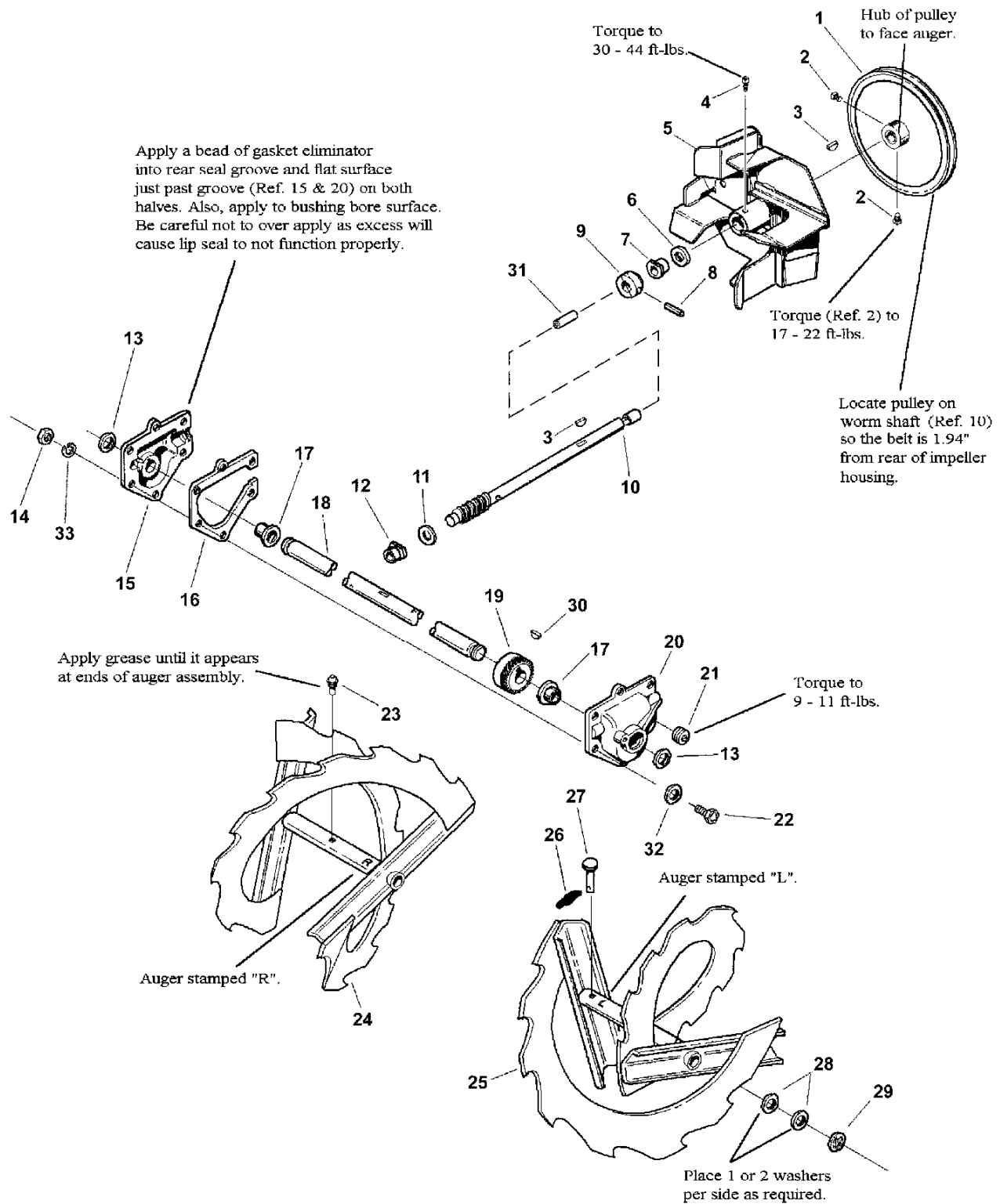
DISCHARGE CHUTE

Item	Part No	Qty	Description	Note
1	7028217	1	CHUTE, Discharge	<i>A Chute/Deflector Assy (7075321) includes items 1, 3 & 5.</i>
2	7091021	1	SCREW, 5/16-24 x 3/4" Hex Head Cap, GR 5	
3	7028846	1	DEFLECTOR, Chute	
4	7035744	1	WING KNOB, 5/16-18	
5	7028253	1	WIRE PIN	
6	7039765	1	CHUTE RING	
7	7011938	3	RETAINER, Spout	
8	7091075	6	SCREW, #10-24 x 5/8" Hex Washer Self-Tap	
9	7091077	3	BOLT, 5/16-18 x 5/8" Square Neck Carriage, GR 5	
10	7091070	3	NUT, 5/16-18 Hex Flange Lock	
11	7091097	1	BOLT, 5/16-18 x 3/4" Square Neck Carriage, GR 5	
12	7091076	2	WASHER, .34 x .69 x .08 Flat	
13	7091074	1	NUT, 5/16-24 Hex Center Lock, GR B	
14	7019692	1	WIRE, Safety	<i>used on Euro models</i>
15	7023673	2	PUSH-ON FASTENER, 5/32" Dia.	<i>used on Euro models (Arden #BV5928)</i>
16	7032559	2	RETAINER, Safety Wire	<i>used on Euro models</i>
17	7091552	6	WASHER, 7/32" Flat	<i>used on Euro models</i>

Footnotes:

For deflector & decal ass'y order 7072058 (domestic) or 7074741 (european).

AUGERS, IMPELLER, GEAR CASE, SHAFT

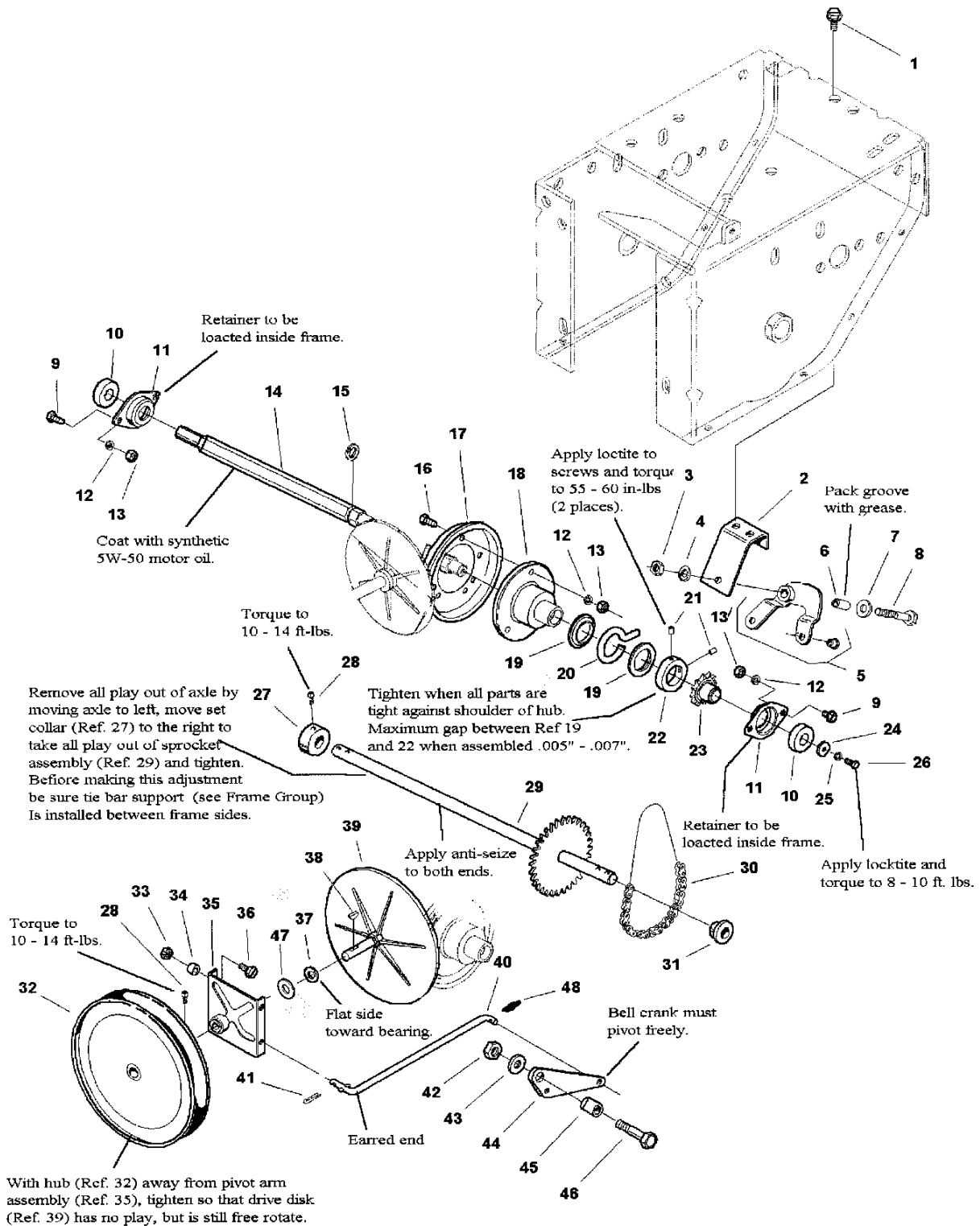


AUGERS, IMPELLER, GEAR CASE, SHAFT

Item	Part No	Qty	Description	Note
1	1715091	1	PULLEY, Auger Input	
2	7090848	2	SET SCREW, 5/16-18 x 1/2" Square Head Cup Point	or 1928721
3	7012699	2	KEY, 3/16 x 3/4" Woodruff	or 7010211
4	1960474	1	SET SCREW, 3/8-16 x 1/2" Square Head	
5	1715120A	1	WELDMENT, Impeller	
6	1612093	1	OIL SEAL	
7	1666425	1	BUSHING	
8	936098	1	PIN, Drive-Loc, 3/16 x 1-1/2"	
9	1721680	1	COLLAR, Thrust	
10	1715580	1	SHAFT, Rolled Worm	
11	1670971	1	WASHER, Thrust (.562 ID x 1.000 OD x .030/.032 Thick)	
12	1666424	1	FLANGE, Bushing	
13	1676027	2	OIL SEAL	
14	7091576	6	NUT 1/4-20 Hex	replaces 7092126
15	1726732	1	GEAR CASE, LH- Intermediate	
16	1721676	1	GASKET, Gear Case	
17	1676026	2	BUSHING	
18	1726538	1	SHAFT, Auger, 22"/24"	
19	1676024	1	GEAR, Worm	
20	1726733	1	GEAR CASE, RH- Intermediate	
21	7092128	1	PIPE PLUG, 1/8-27 NPTF 3/4 Taper x .31 Long Hex Drive	
22	7092125	6	SCREW, 1/4-20 x 7/8" Hex Head Cap, GR 5	
23	921133	1	FITTING, Grease	
24	1726536	1	WELDMENT, 22" Auger, RH	
25	1726535	1	WELDMENT, 22" Auger, LH	
26	7023590	2	COTTER PIN, 1/4" Self Locking	replaces 7091597
27	1668344	2	SHEAR PIN, .248 ID x 1-3/4" Long	
28	1960114	4	WASHER	
29	927794	2	RING, External Retaining (for .75 dia. Shaft)	
30	7015894	1	KEY, #605 Woodruff	
31	1612112	1	TUBE, Low Density Polyethylene Extruded	
32	7092127	12	FLAT WASHER, .268 ID x .591 OD x .063 Thick	
33	7090052	6	WASHER, 1/4" Split Lock	

Footnotes:

TRACTION DRIVE GROUP

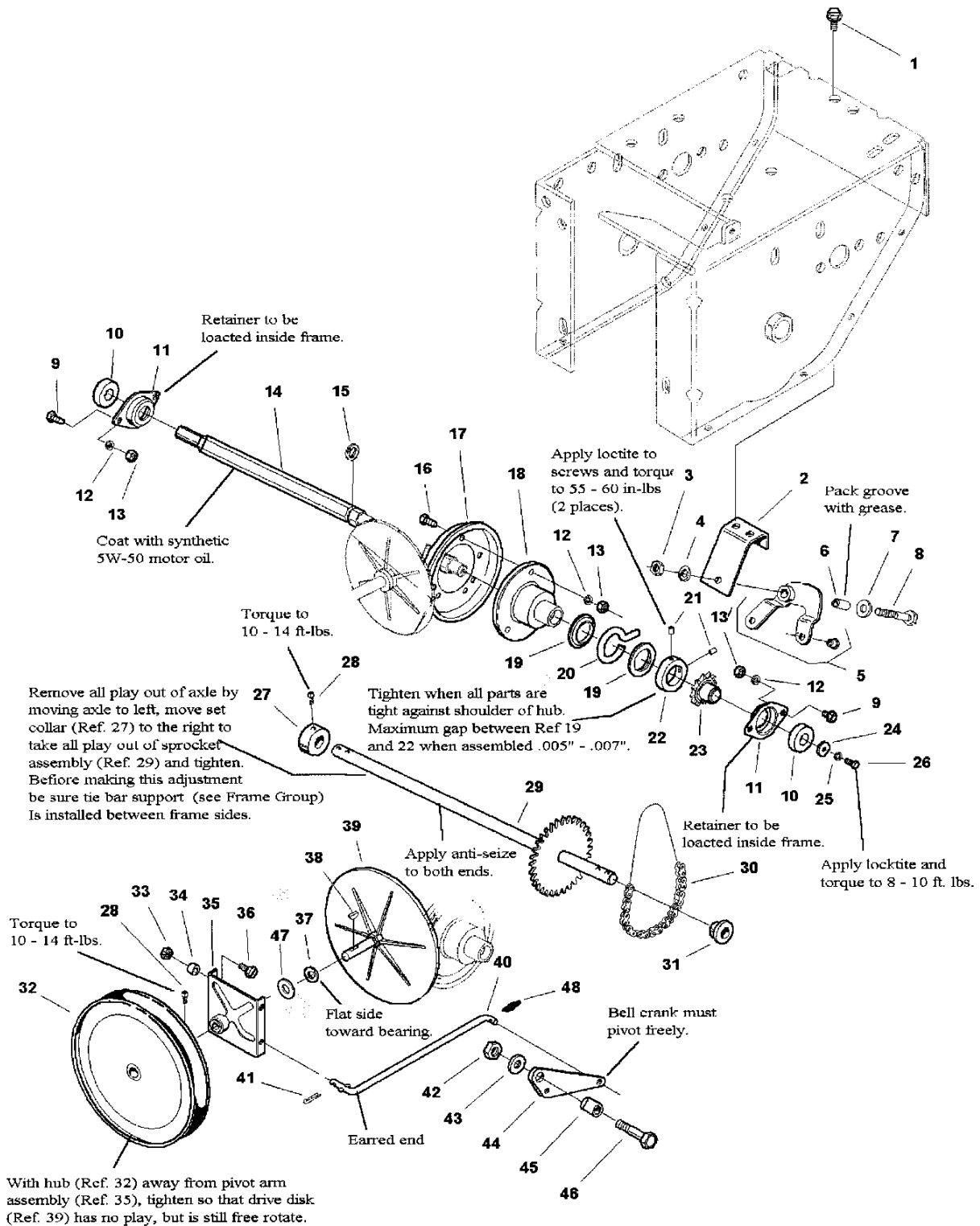


TRACTION DRIVE GROUP

Item	Part No	Qty	Description	Note
1	1930601	3	SCREW, 5/16-18 x 5/8" Hex Washer Self-Tap	or 7090361
2	1673994A	1	BRACKET, Bushing	
3	7091302	1	NUT, 3/8-16 Hex, GR 5 or B	
4	7091320	1	WASHER, 3/8" Split Lock	or 1916965
5	1669256	1	ASSEMBLY, Shift Arm w/Bushing	includes weldment (1666213) & bushing (1669255)
6	1666114	1	BUSHING, Spacer, .380 ID x .750 OD x 1.030 Long	
7	7090122	1	WASHER, 3/8" SAE Flat	or 1924940
8	7091305	1	SCREW, 3/8-16 x 2" Hex Head Cap, GR 5	or 1923701
9	7091138	4	SCREW, 5/16-18 x 5/8" Hex Head Cap, GR 5	
10	1722703	2	BALL BEARING, .669 ID x .574 OD	
11	1667341	2	RETAINER, Bearing	
12	1917356	4	LOCKWASHER, 5/16" Spring	or 7091315
13	7090196	7	NUT, 5/16-18 Hex, GR B or 5	or 1917372
14	7072432	1	HEX SHAFT	
15	927794	1	RING, External Retaining (for 3/4 Dia Shaft)	
16	7091318	3	SCREW, 5/16-18 x 3/4" Hex Head Cap	or 1921332
17	1725428	1	DRIVEN DISC	or 7018782
18	1665995	1	HUB, Friction Disc	
19	1678956	2	COLLAR, Thrust	
20	1666207	1	PIN, Slide	
21	7091829	2	SET SCREW, 1/4-20 x 1/2 w/Patch Lock	or 1724333
22	1667335	1	COLLAR, Set, 1.251 ID x 2.00 OD x .50 Long	
23	7072459	1	SPROCKET #35, 12 Tooth	
24	1960353	1	WASHER, 1/4 ID x 5/8 OD x .134/.109 Flat	or 7091294
25	1916964	1	LOCKWASHER, 1/4" Spring	
26	1923341	1	SCREW, 1/4-20 x 3/4" Hex Head Cap, GR 5	or 7091495
27	8021010	1	COLLAR, Set, .756 ID x 1.249 OD x .50	
28	7090848	2	SET SCREW, 5/16-18 x 1/2" Square Head Cup Point	or 1928721
29	7072474	1	WELDMENT, Axle & Sprocket	
30	7072491	1	CHAIN, Roller, #35, 25.5" Long	
31	1715101	1	BUSHING	
32	1715253	1	PULLEY, Traction	
33	7090951	2	NUT, 5/16-18 Large Head Center Lock	or 1935048
34	1665844	2	SPACER, .328 ID x .562 OD x .144/.149 Thick	
35	1726778	1	ASSY, Pivot Plate/Hub w/Bearing	includes weldment (1726779), bushing (1666855) & bearing (1665521)
36	7090204	2	SCREW, 5/16-18 x 5/8 Hex Head Cap, GR 5	or 1925205
37	1666379	1	WASHER	

Footnotes:

TRACTION DRIVE GROUP

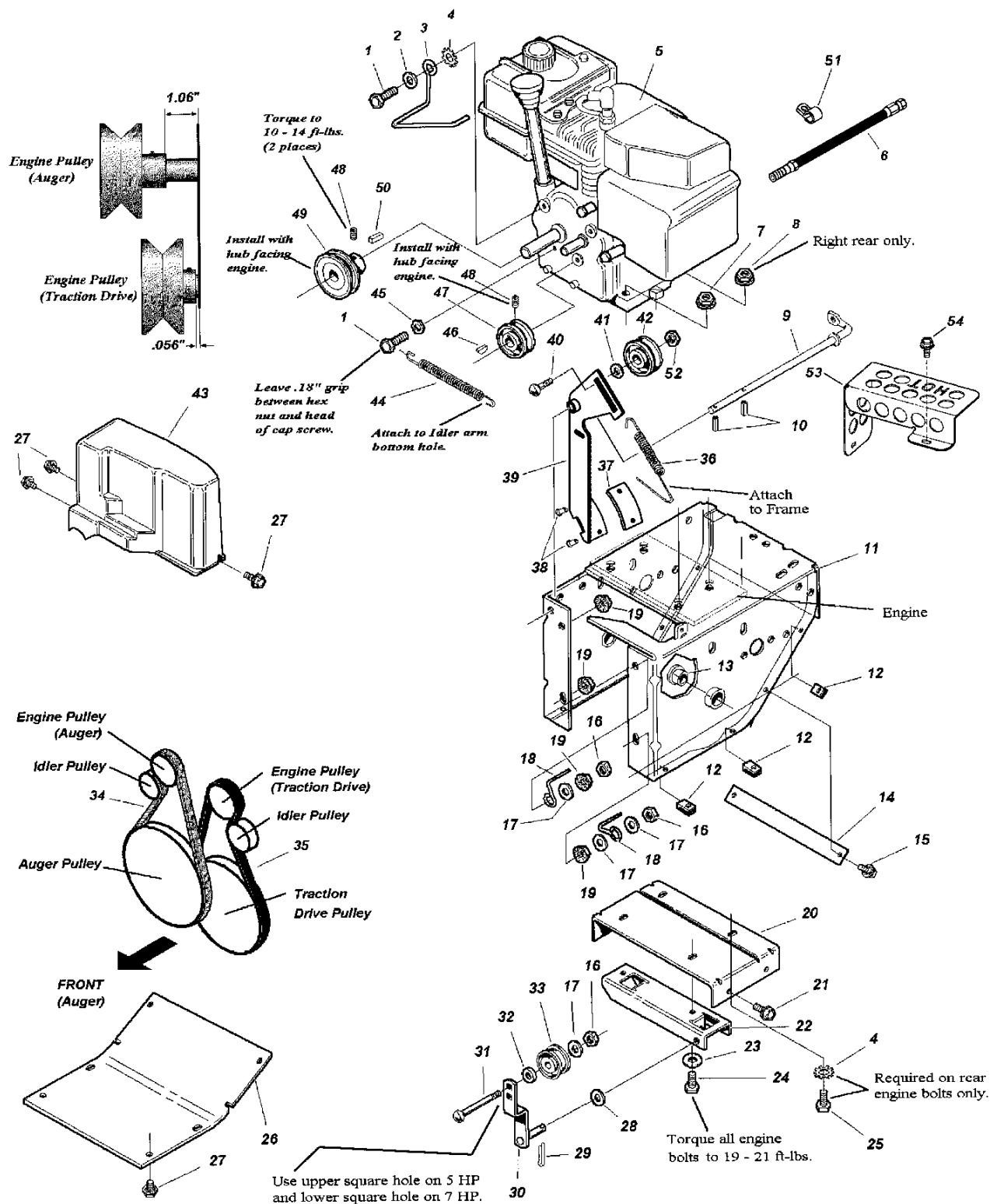


TRACTION DRIVE GROUP

Item	Part No	Qty	Description	Note
38	7091214	1	KEY, Hi-Pro, #HP-506	<i>or 930672</i>
39	1719879	1	DRIVE DISC, w/ Spindle	
40	1715131	1	ROD, Pivot	
41	7091598	1	COTTER PIN, 1/8 x 3/4"	
42	7091575	1	NUT, 5/16-18 Hex Nyloc Light	<i>or 1919438</i>
43	1919326	2	WASHER, .312 (.34 ID x .75 OD)	<i>or 7014098</i>
44	1700473	1	BELLCRANK	
45	1666106	1	BUSHING	
46	7091908	1	SCREW, 5/16-18 x 1-3/4 Hex Head Cap, GR 5	<i>or 1922127</i>
47	1924366	1	WASHER, Plain, .75 ID x 1.31.OD x .10	
48	7091593	1	COTTER PIN, 3/8" Self Lock	

Footnotes:

ENGINE, PULLEYS, IDLER (5 HP Tecumseh)



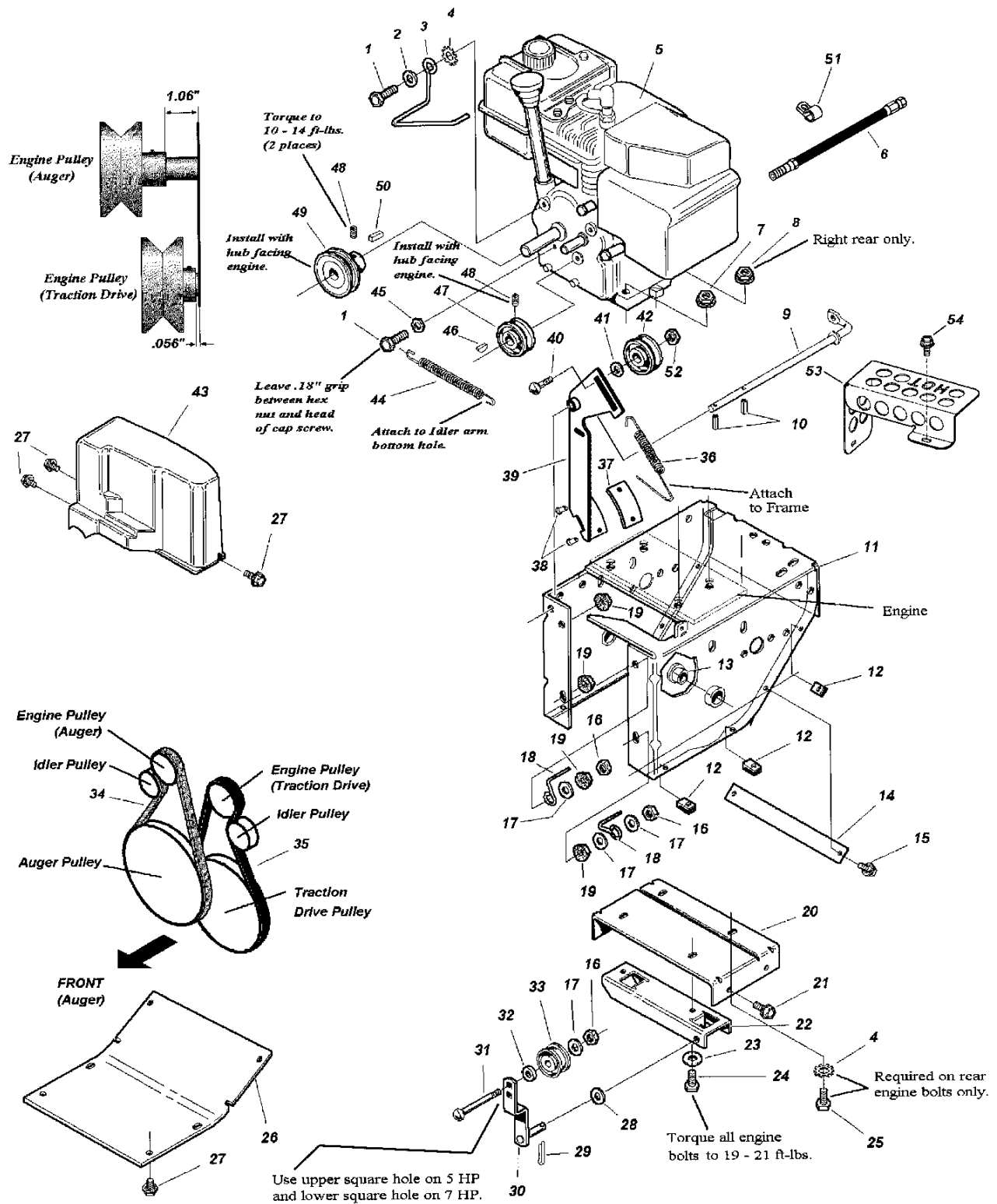
ENGINE, PULLEYS, IDLER (5 HP Tecumseh)

Item	Part No	Qty	Description	Note
1	7090233	4	SCREW, 5/16-24 x 3/4" Hex Head Cap, GR 5	or 1921515
2	1924874	1	WASHER, 5/16" Flat	
3	1715136	1	WIRE, Belt Stop	replaced by 7100117 & 7100118; see Briggs Engine Page inset
4	7090395	3	LOCKWASHER, 5/16" Exterior Tooth	or 1920427
5		1	* ENGINE, 5HP Tecumseh	Model LH195SA-67427V
6	1726942	1	HOSE, Oil Drain	
7	1931277	3	NUT, 5/16-18 Hex Flange Lock- small	
8	931277	1	NUT, 5/16-18 Hex Flange Lock	
9	1715092	1	ROD, Idler	
10	7090844	2	ROLL PIN, 3/16 x 3/4"	or 916169
11	7072556	1	WELDMENT, Intermediate Frame- Red	
12	1926018	6	SPEED NUT, 1/4-20 U-Type	
13	1666001	2	BUSHING, 1.00 long	
14	1715559	1	SUPPORT, Tie Bar	
15	1929477	2	SCREW, #10-24 x 1/2" Hex Washer Self-Tap	
16	1960251	4	JAM NUT, 3/8-16 Hex Center Lock	
17	1924940	3	WASHER, 3/8" Flat	or 7090122
18	1674315	2	ROD, Belt Guide	
19	1922694	4	NUT, 3/8-16 Hex Nyloc Heavy Thin	
20	1715756	1	SUPPORT, Frame	
21	7090858	4	SCREW, 5/16-18 x 1/2" Hex Washer Self-Tap	or 1924856
22	1715111	1	SUPPORT, Pivot	
23	1919381	2	WASHER, 5/16" Flat	
24	7091908	3	SCREW, 5/16-18 x 1-3/4 Hex Head Cap, GR 5	or 1922127
25	7091908	1	SCREW, 5/16-18 x 1-3/4 Hex Head Cap, GR 5	or 1922127
26	7072554	1	COVER, Bottom- Red	
27	7090362	9	SCREW, 1/4-20 x 5/8" Hex Washer Self-Tap	
28	1925125	1	WASHER, 7/16" Flat	
29	7091598	1	COTTER PIN, 1/8 x 3/4"	
30	1715112	1	WELDMENT, Idler Arm	
31	1960268	1	BOLT, 3/8-16 x 1-1/4" Short Square Neck Carriage	
32	174870	1	SPACER, .377 ID x .75 OD x .312 Long	
33	118414	1	PULLEY, Idler	
34	1717393	1	BELT, V Groove, 4L Section; 36.00" nom. effective length	Auger Drive
35	1715127	1	BELT, V Groove, 3L Section; 35.25" effective length	Traction Drive
36	1715118	1	SPRING, Extension	
37	1669313	1	PAD, Brake	

Footnotes:

* NOTE: See your local Tecumseh distributor for engine service parts.

ENGINE, PULLEYS, IDLER (5 HP Tecumseh)



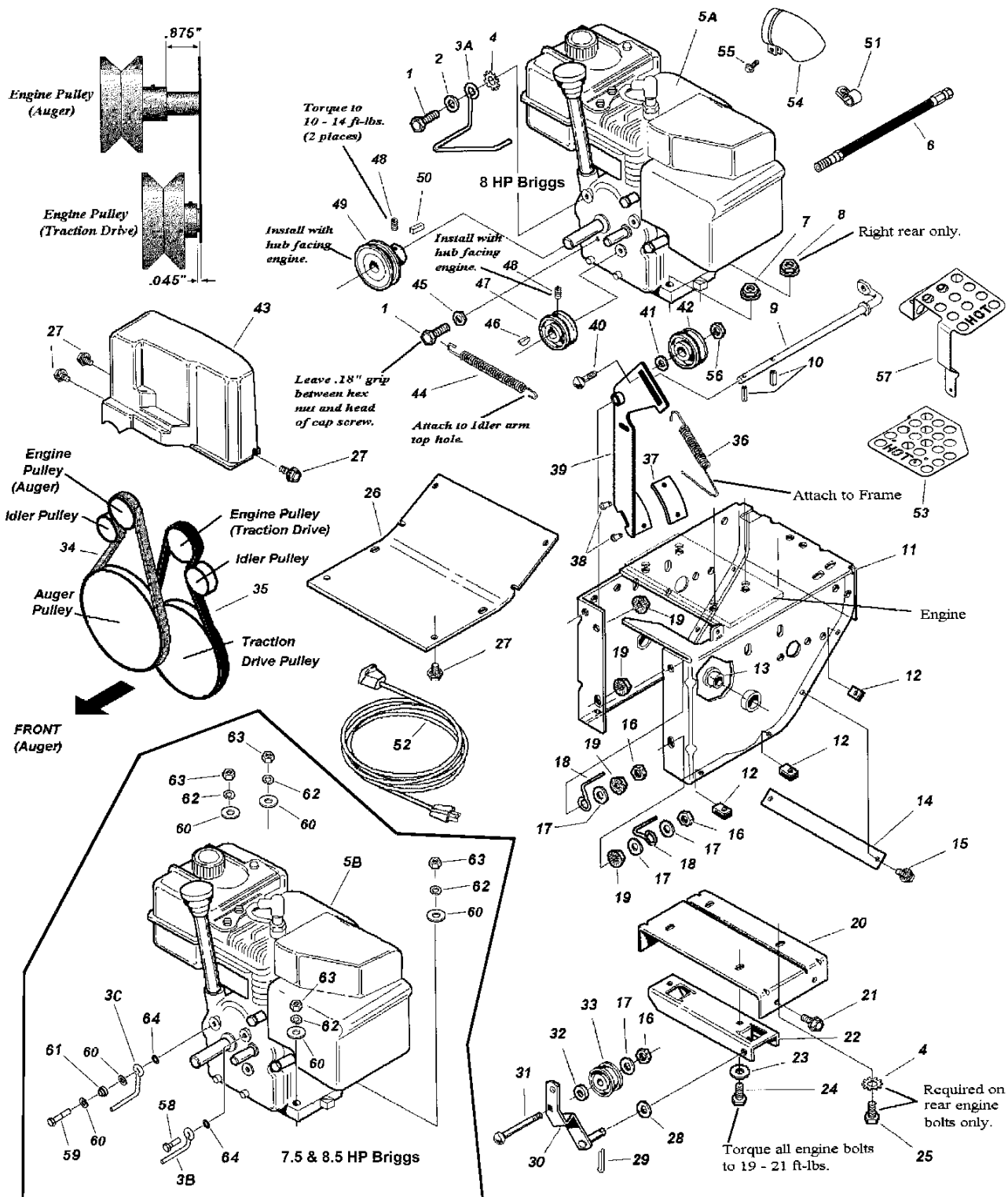
ENGINE, PULLEYS, IDLER (5 HP Tecumseh)

Item	Part No	Qty	Description	Note
38	925160	2	RIVET, Blind	
39	7500303	1	ASSEMBLY, Idler Arm w/Brake Pad	<i>replaces 1717320; incl. idler arm weldment (7400177)</i>
40	7091158	1	BOLT, 3/8-16 x 1-3/4 Short Square Neck Carriage, GR 5	
41	1922755	1	WASHER, 3/8" Flat (.41 ID x 1.00 OD x .13 Thick)	
42	1668477	1	PULLEY, Idler	
43	1725379	1	COVER, Belt	
44	1720237	1	SPRING, Idler- Extension	
45	7092031	1	JAM NUT, 5/16-24 Hex	
46	924819	1	KEY - Hi Pro .125 x .625 HP 504 SAE1035	
47	1674325	1	PULLEY, V Groove	
48	7090201	2	SET SCREW, 5/16-18 x 5/16" Hex Recess, Cup Point	
49	1720313	1	PULLEY, 2.75 OD	
50	7010061	1	KEY, 3/16 Square x 1"	
51	7015861	1	HARNESS CLIP	
52	1930645	1	NUT, 3/8-16 Hex Flange Lock Two Way	
53	7028090	1	MUFFLER GUARD, Domestic (Tecumseh)	
54	7091075	1	SCREW, #10-24 x 5/8" Hex Washer Self-Tap	
55	7034169	1	MUFFLER GUARD, Tecumseh Engine (Euro)	<i>not shown; Tecumseh #127-18</i>
56	7034254	2	SCREW. Tecumseh Muffler	<i>not shown; Tecumseh #42-671</i>
57	7034251	2	LOCK WASHER, Tecumseh Muffler	<i>not shown; Tecumseh #36-351</i>
58	7034239	2	WASHER, Tecumseh Muffler	<i>not shown; Tecumseh #36-195-1</i>

Footnotes:

* NOTE: See your local Tecumseh distributor for engine service parts.

ENGINE, PULLEYS, IDLER (7-1/2, 8, 8-1/2 HP Briggs)



ENGINE, PULLEYS, IDLER (7-1/2, 8, 8-1/2 HP Briggs)

Item	Part No	Qty	Description	Note
1	1921982	4	SCREW, 5/16-24 x 1-1/4" Hex Head Cap, GR 5	
2	1924874	1	WASHER, 5/16" Flat	
3A	1725424	1	BELT STOP, Wire	<i>void; Use 3B & 3C in inset below</i>
3B	7100117	1	BELT GUIDE, LH, Traction Drive Belt	
3C	7100118	1	BELT GUIDE, RH, Traction Drive Belt	
4	7090395	3	LOCKWASHER, 5/16" Exterior Tooth	<i>or 1920427</i>
5A		1	* ENGINE, 8 HP B&S Mod. #12E394-0110-E1	
5A		1	* ENGINE, 8 HP Intek (Metric) B&S Mod. #12E396-0111-E1	
5B		1	* ENGINE, 7-1/2HP B&S OHV Mod. #12D196-0110-E1	
5B		1	* ENGINE, 7-1/2HP B&S OHV Euro Mod. #12D296-0113-E1	
5B		1	* ENGINE, 7-1/2HP B&S Euro Mod. #12D194-0114-E1	<i>used on EI75246E</i>
5B		1	* ENGINE, 7-1/2HP B&S OHV Euro Mod. #12D296-0113-E1	<i>used on EI75246</i>
5B		1	* ENGINE, 7-1/2HP B&S Electric Start Mod. #12D194-0115-E1	<i>used on I75246E</i>
5B		1	* ENGINE, 8-1/2HP B&S Intek ES Mod. #15B194-0110-E1	
5B		1	* ENGINE, 8-1/2HP B&S Intek Mod. #15B196-0111-E1	
6	1726942	1	HOSE, Oil Drain	
7	1931277	3	NUT, 5/16-18 Hex Flange Lock- small	
8	931277	1	NUT, 5/16-18 Hex Flange Lock	
9	1715092	1	ROD, Idler	
10	7090844	2	ROLL PIN, 3/16 x 3/4"	<i>or 70916169</i>
11	7072556	1	WELDMENT, Intermediate Frame- Red	
12	7028260	6	SPEED NUT, 1/4-20 U-Type	<i>or 1920618</i>
13	1666001	2	BUSHING, 1.00 long	
14	1715559	1	SUPPORT, Tie Bar	
15	1929477	2	SCREW, #10-24 x 1/2" Hex Washer Self-Tap	
16	1960251	4	JAM NUT, 3/8-16 Hex Center Lock	
17	7090122	4	WASHER, 3/8" SAE Flat	<i>or 7090517 or 1924940</i>
18	1674315	2	ROD, Belt Guide	
19	1922694	4	NUT, 3/8-16 Hex Nyloc Heavy Thin	
19	1960687	4	NUT, 3/8-16 Hex Nyloc	
20	1715756	1	SUPPORT, Frame	
21	7090858	4	SCREW, 5/16-18 x 1/2" Hex Washer Self-Tap	<i>or 1924856</i>
22	1715111	1	SUPPORT, Pivot	
23	1919381	2	WASHER, 5/16" Flat	
24	7091908	3	SCREW, 5/16-18 x 1-3/4 Hex Head Cap, GR 5	<i>or 1922127</i>
25	7091908	1	SCREW, 5/16-18 x 1-3/4 Hex Head Cap, GR 5	<i>or 1922127</i>
25	7027174	2	SCREW, 5/16-18 x 2" Hex Head Cap, GR 5	

Footnotes:

NOTE: * See your local Briggs distributor for engine service parts.

ENGINE, PULLEYS, IDLER (7-1/2, 8, 8-1/2 HP Briggs)

Item	Part No	Qty	Description	Note
26	7072554	1	COVER, Bottom- Red	
27	7090362	9	SCREW, 1/4-20 x 5/8" Hex Washer Self-Tap	
28	1925125	1	WASHER, 7/16" Flat	
29	7091598	1	COTTER PIN, 1/8 x 3/4"	
30	1725369	1	WELDMENT, Idler Arm	
31	1960268	1	BOLT, 3/8-16 x 1-1/4" Short Square Neck Carriage	
32	174870	1	SPACER, .377 ID x .75 OD x .312 Long	
33	118414	1	PULLEY, Idler	
34	1717393	1	BELT, V Groove, 4L Sect.; 36.00" nom. effective length	Auger Drive
35	1725371	1	V-BELT, 3L, 31.64 effective length	Traction Drive
36	1715118	1	SPRING, Extension	
37	1669313	1	PAD, Brake	
38	925160	2	RIVET, Blind	
39	7500303	1	ASSEMBLY, Idler Arm w/Brake Pad	was 1717320; incl. items 37, 38
40	7091158	1	BOLT, 3/8-16 x 1-3/4 Short Square Neck Carriage, GR 5	
41	1922755	1	WASHER, 3/8" Flat (.41 ID x 1.00 OD x .13 Thick)	
42	1668477	1	PULLEY, Idler	
43	1725379	1	COVER, Belt	
44	159106	1	SPRING, Extension, .562 O.D. x 4.250 Long	
45	7092031	1	JAM NUT, 5/16-24 Hex	or 920438
46	924819	1	KEY - Hi Pro .125 x .625 HP 504 SAE1035	
47	1674325	1	PULLEY, V Groove	
48	7090201	2	SET SCREW, 5/16-18 x 5/16" Hex Recess, Cup Point	or 1960619
49	1720313	1	PULLEY, 2.75 OD	
50	7010061	1	KEY, 3/16 Square x 1"	or 70905850
51	7015861	1	HARNESS CLIP	
52	1724064	1	CORD, Electric Start	
53	1725665	1	GUARD, Muffler	used on 18245E, E18245 & 185245E
54	1727032	1	DEFLECTOR, Muffler- B&S	Briggs p/n 226462
55	1727033	1	HEX SCREW, Thread Rolling M4 x 0.7	Briggs p/n 810140
56	1930645	1	NUT, 3/8-16 Hex Flange Lock Two Way	
57	7300133	1	HEAT SHIELD, 7.5HP B&S Powerbuilt Muffler	used on 175225 & 175246E
58	7090238	1	SCREW, 5/16-24 x 1" Hex Head Cap, GR 5	
59	7091609	1	SCREW, 5/16-24 x 1-1/2" Hex Head Cap, GR 5	
60	7090188	8	WASHER, 5/16" Flat	
61	7012114	1	BUSHING, Differential Link	
62	7090187	5	WASHER, 5/16" Split Lock	
63	7090196	4	NUT, 5/16-18 Hex, GR 5 or B	

Footnotes:

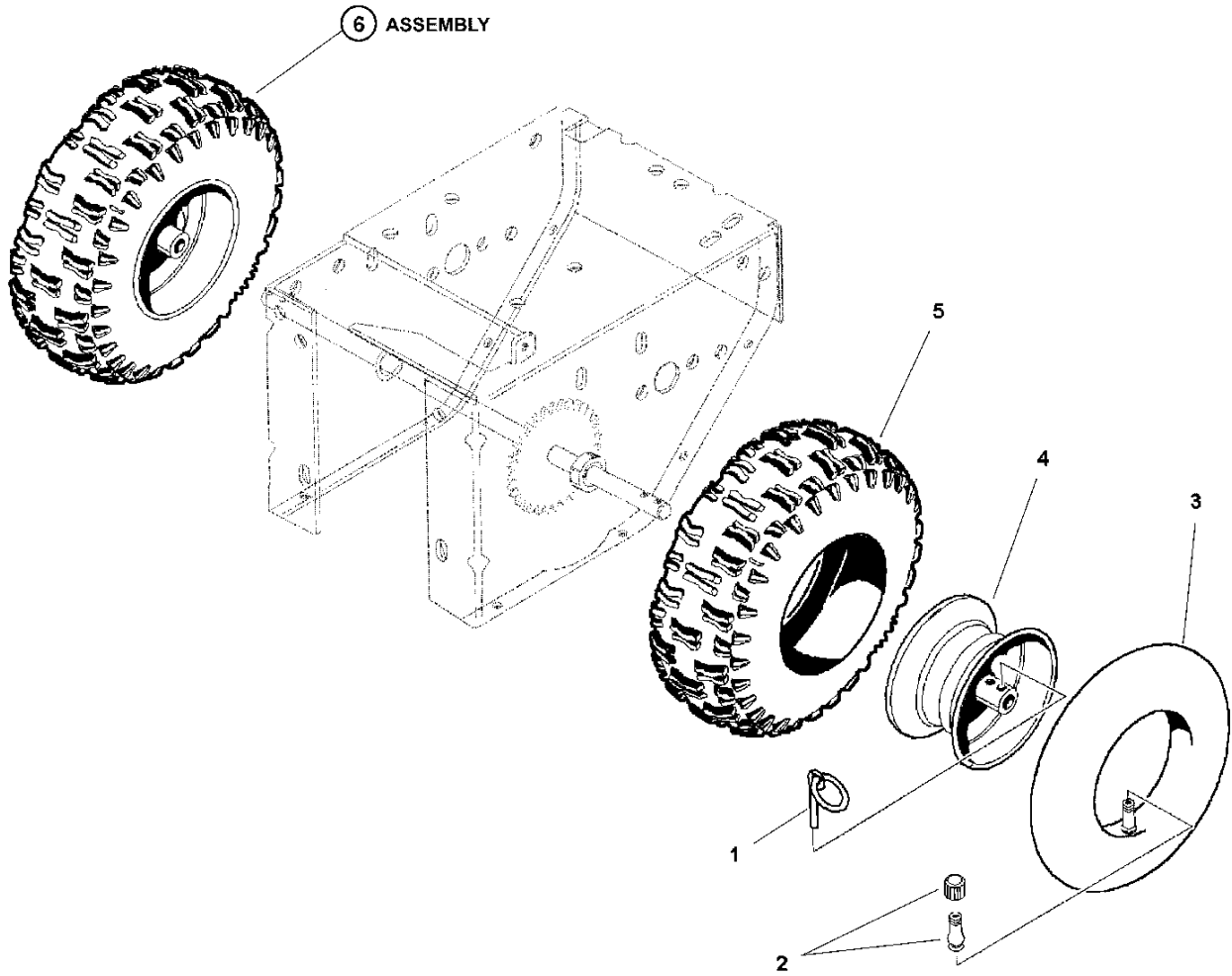
NOTE: * See your local Briggs distributor for engine service parts.

ENGINE, PULLEYS, IDLER (7-1/2, 8, 8-1/2 HP Briggs)

Item	Part No	Qty	Description	Note
64	7090391	2	WASHER, 5/16" Internal Tooth Lock	

Footnotes:

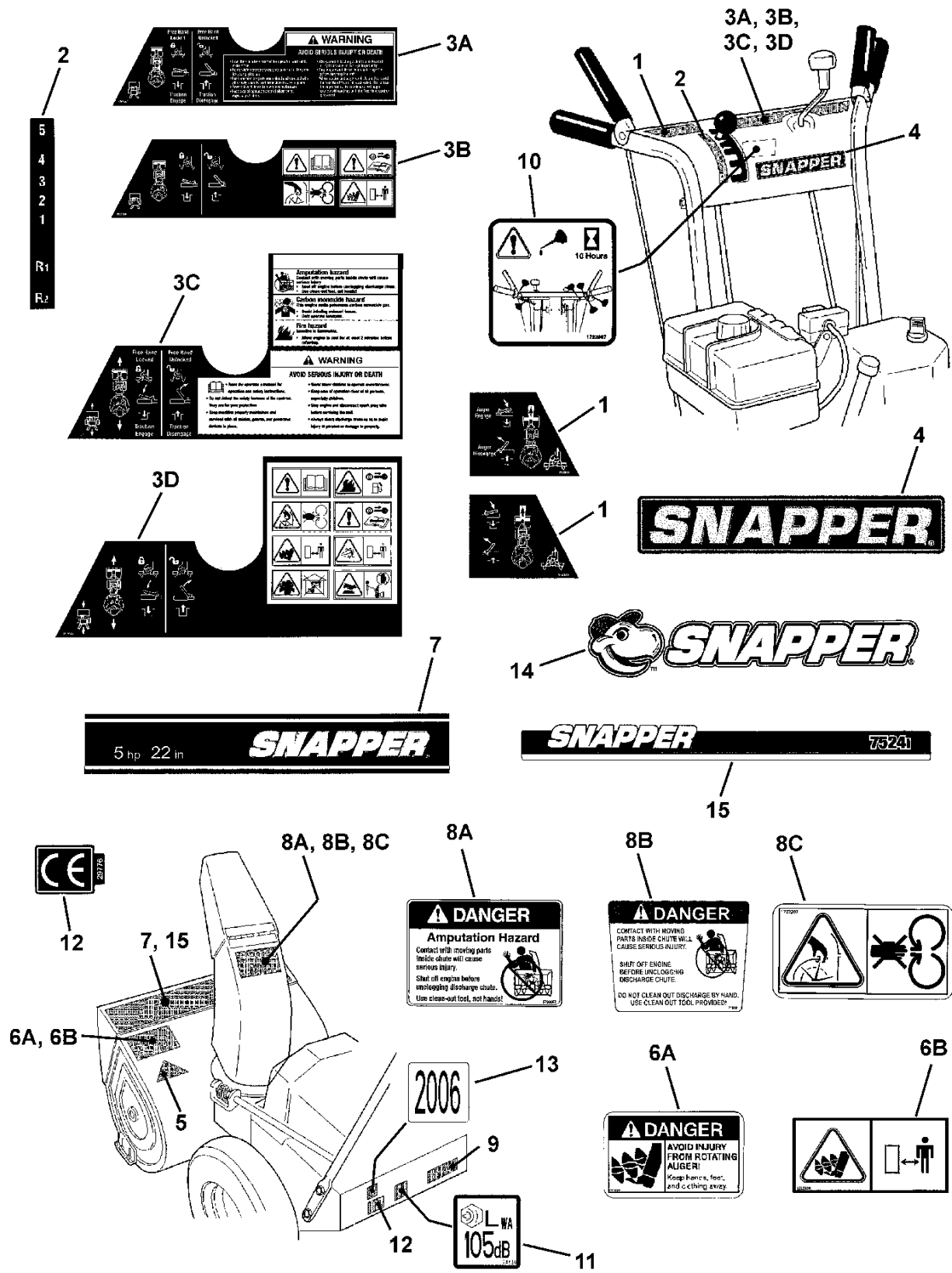
NOTE: * See your local Briggs distributor for engine service parts.



WHEELS

Item	Part No	Qty	Description	Note
1	1666969	2	KLIK- PIN, .310 ID x 1-3/4" Long	
2	172353	1	VALVE STEM AND CAP	<i>per tire assembly</i>
3	1664090	1	TUBE, Tire	<i>per tire assembly (optional)</i>
4	1723286	1	RIM, 6 x 3.25 (Weldment)	<i>per tire assembly</i>
5	7027866	1	TIRE, 15 x 5.00-6, 2 Ply, Carlisle Snow Hog	<i>per tire assembly</i>
6	7041271	2	ASSY, Tire and Wheel, 15 x 5.00-6 Carlisle Sno Hog	<i>includes items 2, 4 5</i>

Footnotes:



DECALS

Item	Part No	Qty	Description	Note
1	1726946	1	DECAL, Dashboard- RH	<i>used on Domestic Models</i>
1	1727023	1	DECAL, Dashboard- RH- Euro	
2	1715557	1	DECAL, Shift Pattern	
3A	1727020	1	DECAL, Dashboard- LH	<i>used on Domestic Models</i>
3B	1727021	1	DECAL, Dashboard- LH- Euro	
3C	7100821	1	DECAL, Dashboard, Top, LH	
3D	7100822	1	DECAL, Dashboard, Top, LH (Euro)	
4	1726721	1	DECAL, Dash Front - SNAPPER	
5		1	*DECAL, OPEI	
6A	1716532	1	DECAL - Danger, Auger	<i>used on Domestic Models</i>
6B	1727208	1	DECAL, CE- Auger Warning	<i>used on European Models</i>
7	1727027	1	DECAL, Stripe- SNAPPER (5hp, 22")	
7	1727028	1	DECAL, Stripe- SNAPPER (8hp, 24")	<i>not shown; similar to above decal</i>
7	7100116	1	DECAL, Stripe- SNAPPER (7.5hp, 22")	<i>not shown; similar to above decal</i>
7	7100119	1	DECAL, Stripe- SNAPPER (8.5hp, 24")	<i>not shown; similar to above decal</i>
8A	1733057	1	DECAL, Danger, Chute/Deflector	
8B	7071880	1	DECAL, Danger, Chute/Deflector	
8C	1727207	1	DECAL, Chute Warning	
9		1	*I.D. Tag	
10	1722867	1	DECAL, Lube- Controls	
11	7074136	1	DECAL, Sound 105	
12	7029776	1	DECAL, Euro Community (CE)	
13	7011279	1	DECAL, 2005 Year of Manufacture	<i>not shown</i>
13	7100611	1	DECAL, 2006 Year of Manufacture	
14	7100790	1	DECAL, Dash Front- Snapper	<i>used on I75246E & EI75246E models</i>
15	7100703	1	DECAL, Stripe- Snapper (7.5 24")	

Footnotes:

*Not a service part

No
Diagram
Available

Parts List
Only

ELECTRIC START COMPONENTS

Item	Part No	Qty	Description	Note
	7600016	1	KIT, Electric Start, 230 volt (incl. items 1 thru 6 below)	
1	7011263	1	STRAP, Ground (not shown)	<i>B&S # 226756</i>
2	7011264	1	CLAMP, Regulator (not shown)	<i>B&S # 393514</i>
3	7011265	1	BRACKET, Regulator (not shown)	<i>B&S # 222934</i>
4	7011267	1	SCREW, Hex Head	<i>B&S # 95630</i>
5	7011268	2	BOLT, 5/16-18 x 3/4" Hex Head Cap	<i>B&S # 93343</i>
6	7011266	1	CLIP, Speed	<i>B&S # 95629</i>

Footnotes:

Parts Manual for

SNAPPER®

TWO-STAGE INTERMEDIATE FRAME SNOW THROWER SERIES 5 & 6

IT IS THE POLICY OF SNAPPER TO IMPROVE ITS PRODUCTS
WHENEVER IT IS POSSIBLE AND PRACTICAL TO DO SO. WE
RESERVE THE RIGHT TO MAKE CHANGES OR ADD IMPROVEMENTS
AT ANY TIME WITHOUT INCURRING ANY OBLIGATION TO MAKE
SUCH CHANGES ON PRODUCTS MANUFACTURED PREVIOUSLY.

SNAPPER® McDonough, GA, 30253 U.S.A.

Free Manuals Download Website

<http://myh66.com>

<http://usermanuals.us>

<http://www.somanuals.com>

<http://www.4manuals.cc>

<http://www.manual-lib.com>

<http://www.404manual.com>

<http://www.luxmanual.com>

<http://aubethermostatmanual.com>

Golf course search by state

<http://golfingnear.com>

Email search by domain

<http://emailbydomain.com>

Auto manuals search

<http://auto.somanuals.com>

TV manuals search

<http://tv.somanuals.com>