

Parts Manual for
SNAPPER®

**(L.E.) SINGLE STAGE
SNOW THROWER
SERIES 0 & 1**

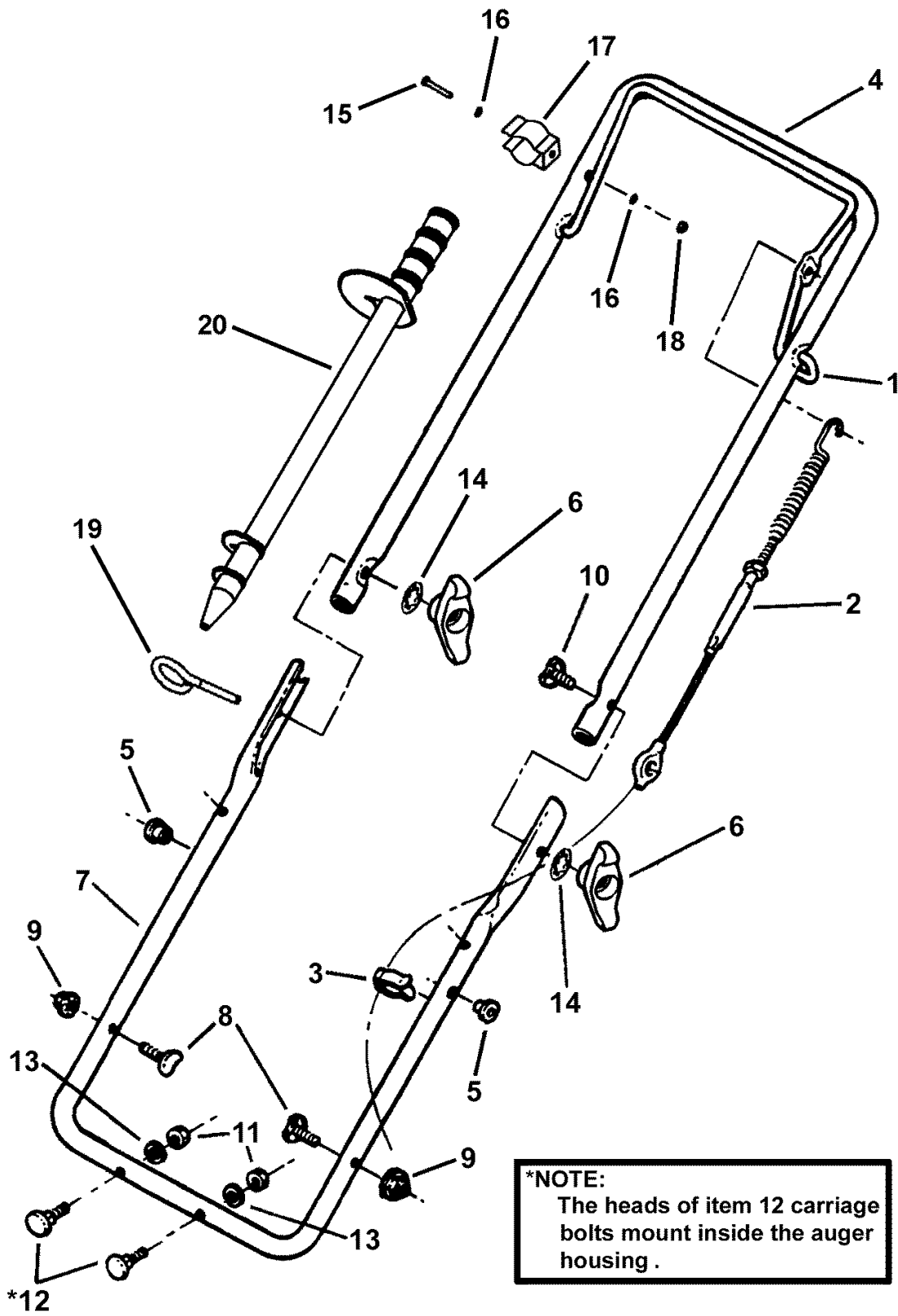


MODEL

ELE3190R (84675)
LE3170E (80488)
LE3170R (80370)
LE3170R (84362)
LE3170R (84559)
LE3171R (7085660)
LE3171R (85660)
LE3190E (80371)
LE3190E (84364)
LE3190E (84561)
LE3190R (80487)
LE3190R (84363)
LE3190R (84560)
LE3191E (7085662)
LE3191E (85662)
LE3191R (7085661)
LE3191R (85661)

SNAPPER® McDonough, GA, 30253 U.S.A.

PAGE	GROUP
4	HANDLES, AUGER CONTROL
6	DISCHARGE CHUTE, DEFLECTOR, CONTROL HANDLE
8	AUGER HOUSING, DRIVE SYSTEM, CHASSIS
12	COVERS, ENGINE
16	DECALS (94 MODEL YEAR & EARLIER)
18	DECALS (95 MODEL YEAR & LATER) Pt. 1
20	DECALS (95 MODEL YEAR & LATER) Pt. 2
22	HARDWARE BAGS
24	ACCESSORIES- ELECTRIC START KIT
26	ACCESSORIES- FLITE SHOE KITS



***NOTE:**
 The heads of item 12 carriage bolts mount inside the auger housing .

HANDLES, AUGER CONTROL

Item	Part No	Qty	Description	Note
1	7024645	1	BAIL, Drive Control	
2	7024662	1	CABLE, Drive Control	
3	7023813	1	CLIP, Wiring Harness	
4	7033496	1	HANDLE, Upper	
5	7091182	2	INSERT, Nylon	
6	7035744	2	KNOB, 5/16-18 Wing (Black)	
7	7036570	1	HANDLE, Lower	
8	7091190	2	BOLT, 5/16-18 x 1-3/8" Curved Head	
9	7091601	2	NUT, 5/16-18 Hex Flange Lock, GR 5	Was 91070
10	7091013	2	BOLT, 5/16-18 x 2" Curved Head, GR 2	
11	7091511	2	NUT, 5/16-18 Hex	Was 90196
12	7091612	2	* BOLT, 5/16-18 x 1-1/2" Square Neck Carriage, GR 5	Was 90582
13	7090187	2	WASHER, 5/16" Split Lock	
14	7090391	2	WASHER, 5/16" Internal Tooth Lock	
15	7091757	1	SCREW, #10-24 x 1-1/4" Hex Head Cap, GR 5	
16	7090011	2	WASHER, #10 Flat	
17	7071895	1	HOLDER, Snostik, Upper	
18	7091267	1	NUT, #10-24 Hex Center Lock	
19	7075342	1	HOLDER, Snostik, Lower (5/16-18 thread)	
20	7075909	1	SNOW STICK	

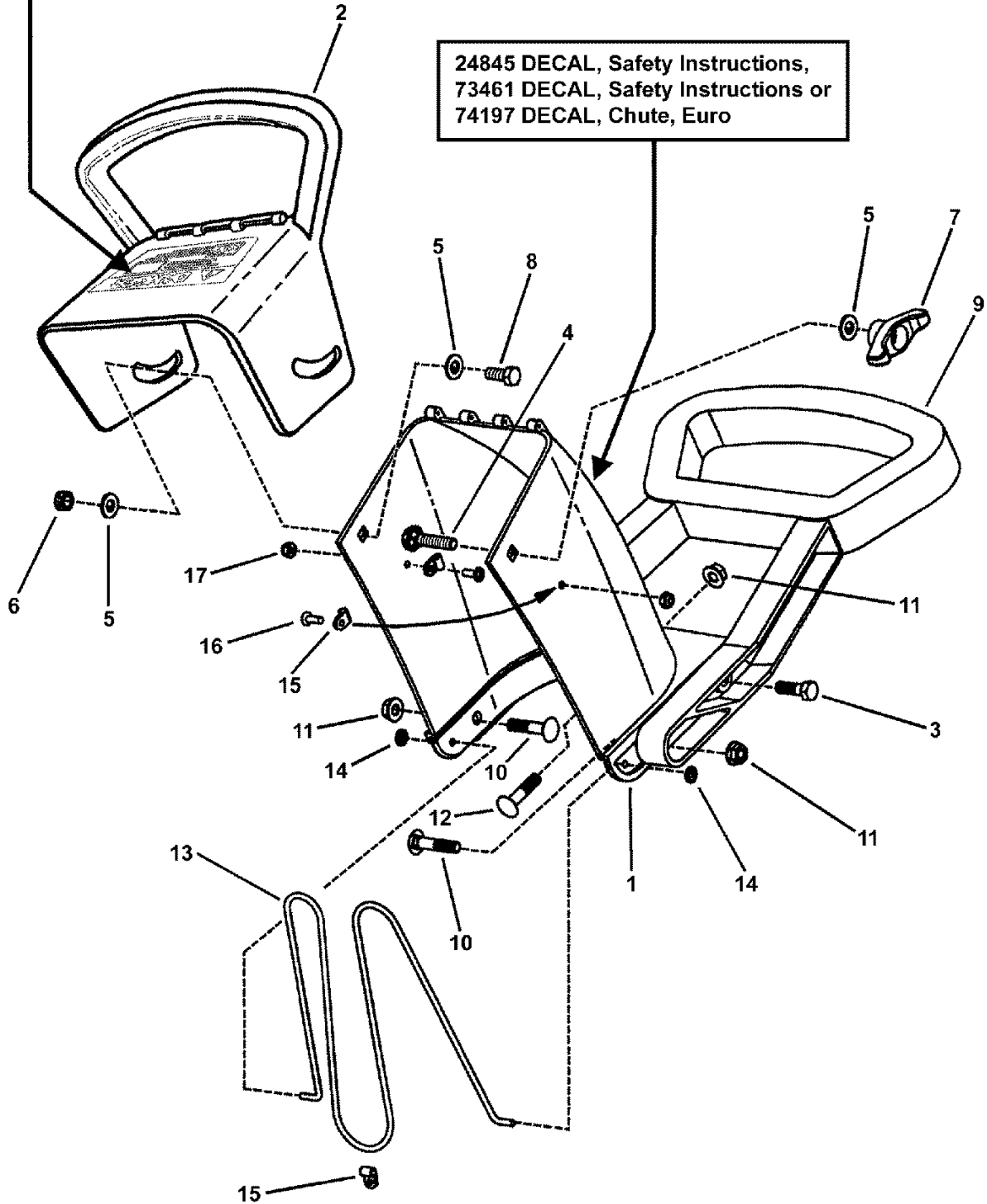
Footnotes:

Note* The heads of item 12 carriage bolts are inside the auger housing.

DISCHARGE CHUTE, DEFLECTOR, CONTROL HANDLE

24844 DECAL, Danger Chute Deflector or
28700 DECAL, Chute Deflector, Read Manual, Euro

24845 DECAL, Safety Instructions,
73461 DECAL, Safety Instructions or
74197 DECAL, Chute, Euro

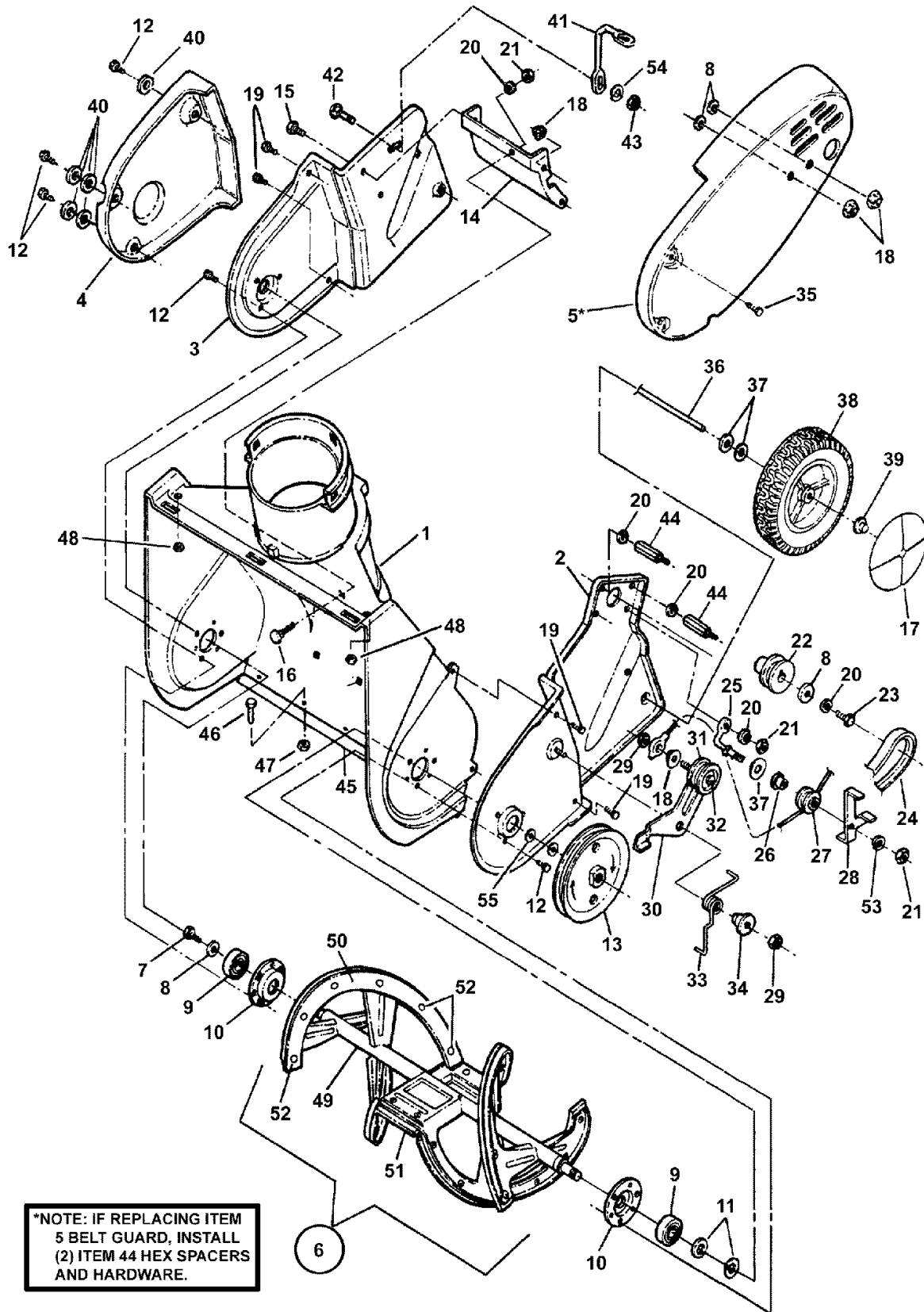


DISCHARGE CHUTE, DEFLECTOR, CONTROL HANDLE

Item	Part No	Qty	Description	Note
1	7052973	1	CHUTE, Discharge w/inserts	<i>Was 59232 (Model ELE3190R; shown)</i>
1	7052973	1	CHUTE, Discharge w/inserts (incl. decal # 24845)	<i>Models LE3170R, LE3190R & LE3190E</i>
1	7052973	1	CHUTE, Discharge w/inserts	<i>Was 52978, Models 3190M, 3190E & all Series 1</i>
2	7059231	1	DEFLECTOR, Chute (incl. decal # 24106)	<i>Model ELE3190R</i>
2	7052975	1	DEFLECTOR, Chute (incl. decal # 24844)	<i>Models LE3170R, LE3190R, LE3190E, 3190M, 3190E & all Series 1</i>
3	7091318	2	SCREW, 5/16-18 x 3/4" Hex Head Cap, GR 2	<i>Was 90206</i>
4	7091303	1	BOLT, 5/16-18 x 1" Short Neck Carriage, GR 5	<i>Was 91072</i>
5	7091076	3	WASHER, 5/16" Flat	
6	7091606	1	NUT, 5/16-24 Hex Center Lock, GR B	<i>Was 91074</i>
7	7035744	1	KNOB, 5/16-18 Wing (Black)	
8	7091021	2	SCREW, 5/16-24 x 3/4" Hex Head Cap, GR 5	
9	7046340	1	HANDLE, Chute Control	
10	7091612	2	BOLT, 5/16-18 x 1-1/2" Square Neck Carriage, GR 5	<i>Was 90582</i>
11	7091601	3	NUT, 5/16-18 Hex Flange Lock, GR 5	<i>Was 91070</i>
12	7090316	1	BOLT, 5/16-18 x 3/4" Short Neck Carriage, GR 5	<i>Was 91097</i>
13	7019692	1	WIRE, Safety	
14	7023673	2	FASTENER, Push On, .156 Internal Diameter	
15	7074198	3	CLIP, Guard	<i>Tinnerman # C2980</i>
16	7092077	3	SCREW, #8-32 x 1/2" Pan Head Cross Recess	
17	7092078	3	NUT, #8-32 Hex (w/free spinning external lock washer)	

Footnotes:

AUGER HOUSING, DRIVE SYSTEM, CHASSIS



AUGER HOUSING, DRIVE SYSTEM, CHASSIS

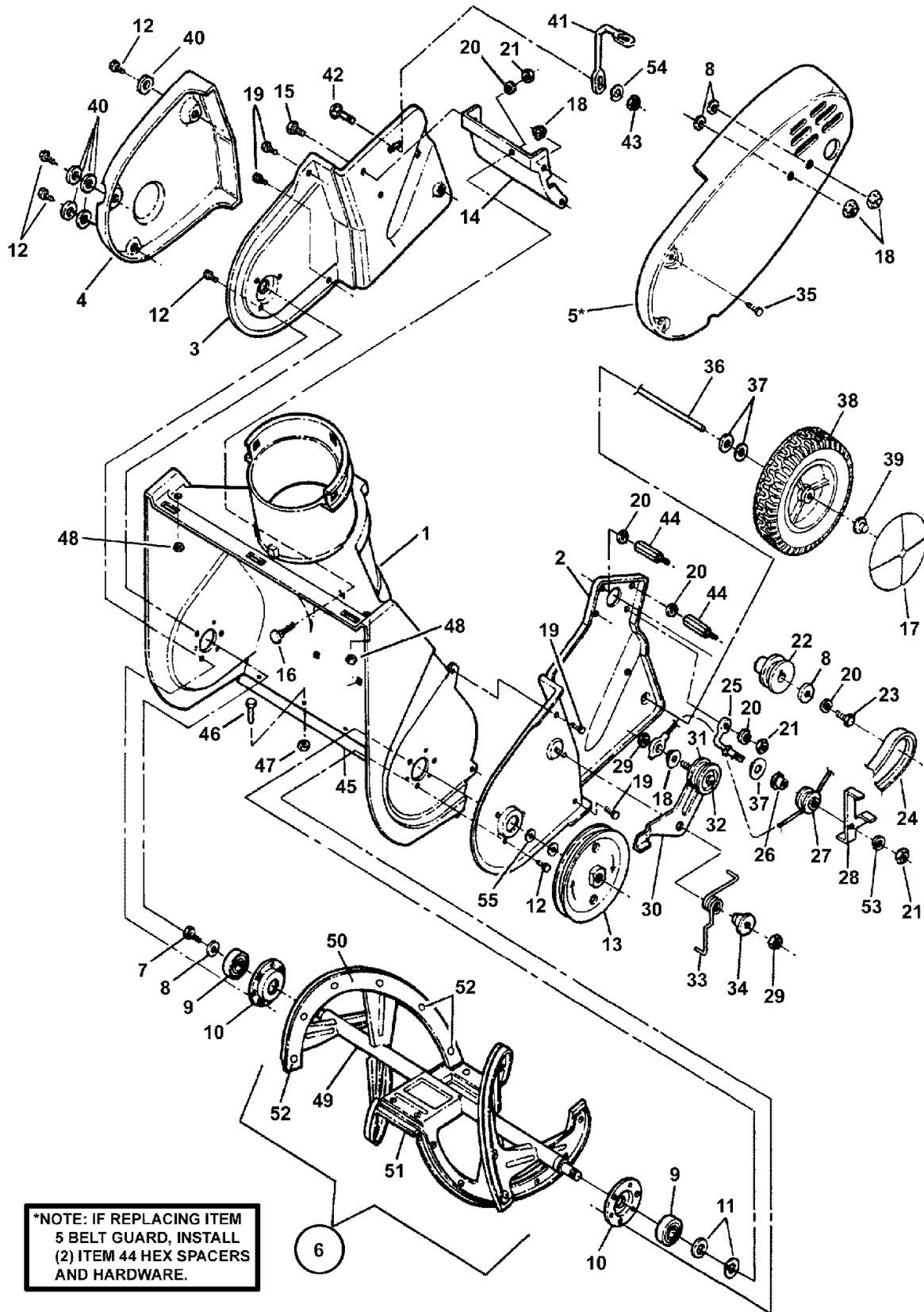
Item	Part No	Qty	Description	Note
1	7052968	1	* ASSEMBLY, Auger Housing	17" Models
1	7052969	1	ASSEMBLY, Auger Housing	19" Non-Euro Models
1	7059233	1	ASSEMBLY, Auger Housing	Model ELE3190R
2	7052963	1	ASSEMBLY, End Frame, L.H.	17" Models
2	7052964	1	ASSEMBLY, End Frame, L.H.	19" Models
3	7041335	1	FRAME, End, R.H.	17" Models
3	7041333	1	FRAME, End, R.H.	19" Models
4	7026116	1	COVER, R.H. Side	17" Models
4	7026117	1	COVER, R.H. Side	19" Models
5	7034327	1	** GUARD, Belt Drive	fits all models
6	7052939	1	ASSEMBLY, Auger (incl. items 49 thru 52)	17" Models
6	7052940	1	ASSEMBLY, Auger (incl. items 49 thru 52)	19" Models
7	7090361	1	SCREW, 5/16-18 x 5/8" Hex Washer Self-Tap	
8	7014098	3	WASHER, 5/16" Flat	
9	7014608	2	BALL BEARING	
10	7034385	2	RETAINER, 1-3/4" O.D. Bearing	
11	7010935	2	WASHER, 3/4" Shim	
12	7091012	9	SCREW, #10-32 x 3/8" Hex Washer Self-Tap (Torx)	
13	7018635	1	PULLEY	
14	7033457	1	BRACE, Engine	
15	7091084	2	SCREW, 1/4-20 x 3/8" Hex Washer Self-Tap	
16	7090316	1	BOLT, 5/16-18 x 3/4" Short Neck Carriage, GR 5	Was 91097
17	7019381	2	COVER, Wheel	94 Model Year & earlier
18	7091601	4	NUT, 5/16-18 Hex Flange Lock, GR 5	Was 91070
19	7091081	4	SCREW, 1/4-15 x 1" Hex Washer Self-Tap	
20	7090187	7	WASHER, 5/16" Split Lock	
21	7091511	5	NUT, 5/16-18 Hex	Was 90196
22	7022179	1	PULLEY, Engine	
23	7090233	1	SCREW, 5/16-24 x 3/4" Hex Head Cap, GR 5	
24	7024618	1	V-BELT, 3L Section, 34.27" effective length	Snapper part no. printed on part
25	7024800	1	GUIDE, Cable	17" Models
25	7024743	1	GUIDE, Cable	19" Models
26	7012306	1	BUSHING, Flange	
27	7024228	1	PULLEY, Nylon	
28	7033729	1	GUIDE, Belt	
29	7091575	2	NUT, 5/16-18 Hex Center Lock	Was 91067
30	7033695	1	BRACKET, Idler Pivot	

Footnotes:

Note* Riveted housing, throat & ring assembly with scraper installed

Note** 1994 & earlier models use a different belt guard & one hex spacer. If replacing item 5 belt guard, install (2) item 44 hex spacers & hardware.

AUGER HOUSING, DRIVE SYSTEM, CHASSIS



AUGER HOUSING, DRIVE SYSTEM, CHASSIS

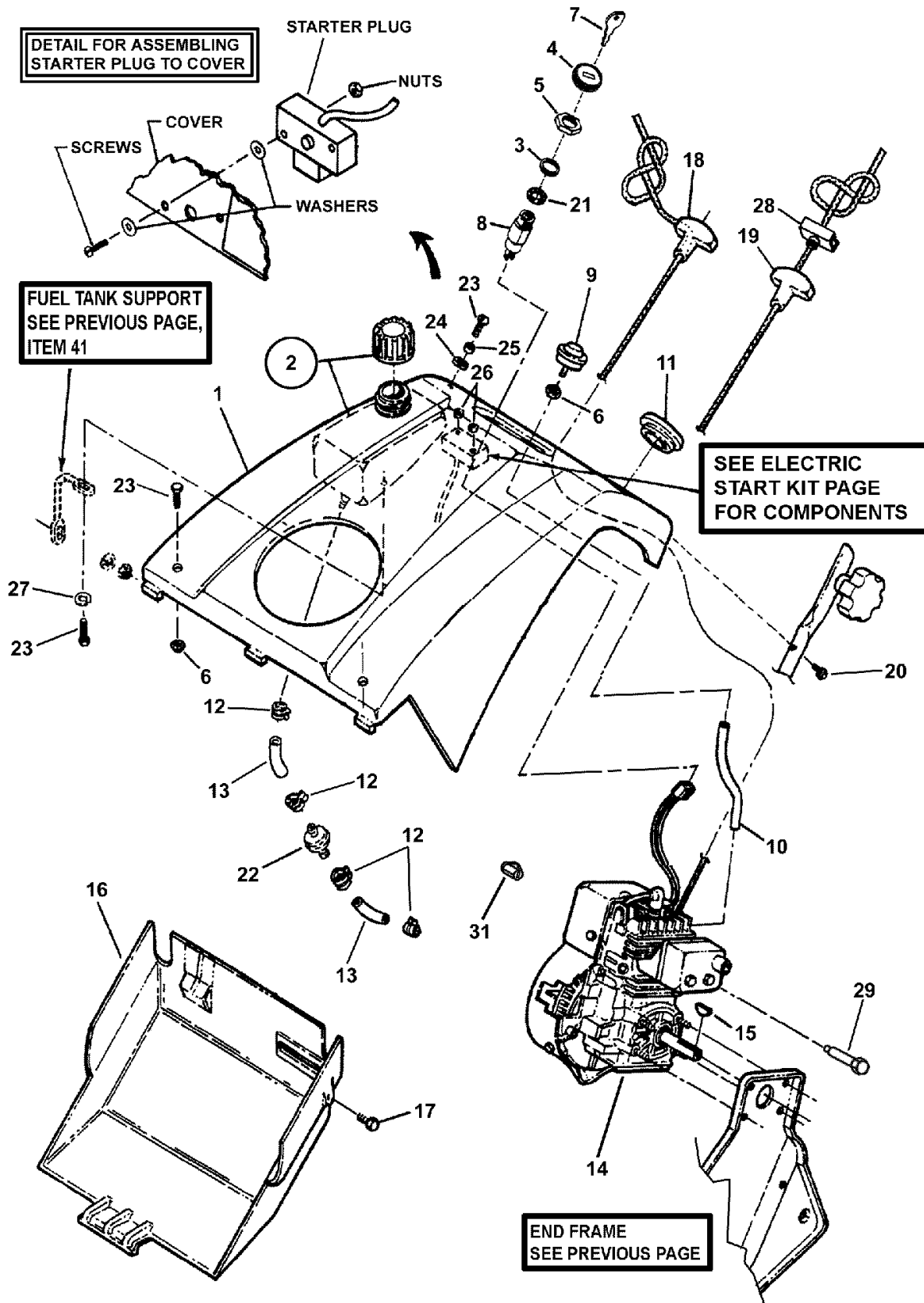
Item	Part No	Qty	Description	Note
31	7024626	1	PULLEY, Idler	19" Models
31	7027460	1	PULLEY, Single Flange Idler	17" Models
32	7090669	1	SCREW, 5/16-18 x 1-3/4" Hex Head Cap, GR 5	
33	7024621	1	SPRING, Idler Torsion	
34	7024620	1	BUSHING, Pivot	
35	7091195	3	SCREW, #10-16 x 3/4" Pan Head Self-Tap	
36	7033692	1	AXLE, 3/8" Dia. Wheel	
37	7014098	4	WASHER, 3/8" Flat	
38	7026160	2	WHEEL, 7 x 1.50	
38	7026240	2	WHEEL, 7"	Models 3190M, 3190E & Series 1
39	7014667	2	PUSH NUT, 3/8"	
40	7090010	5	WASHER, #10 Flat	
41	7024852	1	SUPPORT, Fuel Tank	
42	7091573	1	BOLT, 1/4-20 x 5/8" Short Neck Carriage, GR 5	Was 90666
43	7090372	1	NUT, 1/4-20 Hex Nyloc	
44	7027924	2	SPACER, Hex (2.69" long)	17" Models
44	7027925	2	SPACER, Hex (3.69" long)	19" Models
45	7035947	1	BLADE, Scraper	17" Models
45	7035948	1	BLADE, Scraper	19" Models
46	7091148	4	SCREW, 1/4-20 x 1/2" Pan Head Machine (Torx)	
47	7090372	4	NUT, 1/4-20 Hex Nyloc	
48	7090372	2	NUT, 1/4-20 Hex Center Lock	Was 91099
49	7047026	1	WELDMENT, Auger	17" Models
49	7047025	1	WELDMENT, Auger	19" Models
50	7029566	4	SHOE, Flite	17" Models
51	7018638	4	SHOE, Flite	19" LE Models
51	7029565	4	SHOE, Flite	Models 3190M, 3190E & 19" Series 1
51	7014612	2	SHOE, Center Flite	
52	7091286	24	SCREW, #10-24 x 1/2" Hex Washer Self-Tap Sems	
53	7090391	1	WASHER, 5/16" Internal Tooth Lock	
54	7090052	1	WASHER, 1/4" Split Lock	
55	7010935	2	WASHER, 3/4" Flat	

Footnotes:

Note* Riveted housing, throat & ring assembly with scraper installed

Note** 1994 & earlier models use a different belt guard & one hex spacer. If replacing item 5 belt guard, install (2) item 44 hex spacers & hardware.

COVERS, ENGINE



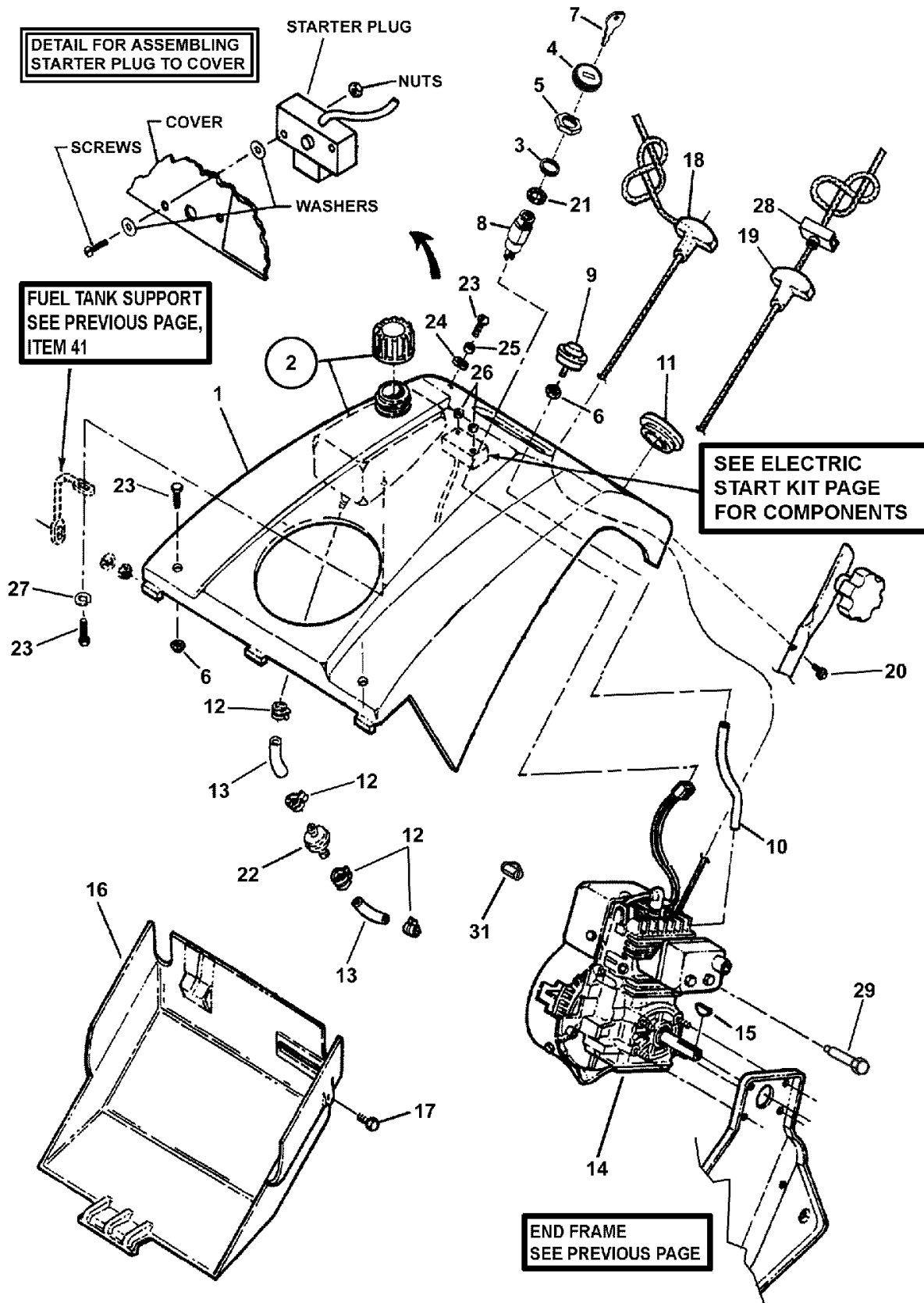
COVERS, ENGINE

Item	Part No	Qty	Description	Note
1	7052977	1	COVER, Top (includes Eyelet # 24636)	<i>all Models except 3190M & 3190E</i>
1	7058013	1	COVER, Top (includes Eyelet # 24636)	<i>3190M & 3190E</i>
2	7052974	1	ASSEMBLY, Fuel Tank (includes Cap # 24495)	
3	7016132	1	SPACER	
4	7023506	1	BEZEL	
5	7012685	1	NUT, 5/8-32 Hex	
6	7091584	1	NUT, 1/4-20 Hex Flange lock	<i>Was 91065</i>
7	7011138	1	KEY (Pair)	
8	7017817	1	SWITCH, Ignition	
9	7014638	1	PRIMER	
10	7014639	1	HOSE, Primer	<i>.126/.141 I.D. x 9-1/2" long</i>
11	7091183	1	PLUG, Hole	
12	7029900	2	CLAMP, Fuel Hose	
13	7076272	2	HOSE, Fuel	<i>1/4" I.D. x 8-1/2" long</i>
14		1	* ENGINE, 3 HP Tecumseh (HSK 600-1683T)	<i>17" Models (Engine Crank Shaft: 2.21" long)</i>
14		1	* ENGINE, 3 HP Tecumseh (HSK 600-1691T)	<i>19" Models (Engine Crank Shaft: 3.21" long)</i>
14		1	* ENGINE, 3 HP Tecumseh (HSK 600-1702T)	<i>19" Electric Start Models (Engine Crank Shaft: 3.21" long)</i>
14		1	* ENGINE, 3 HP Tecumseh (TH098SA-1732E)	<i>17" Series 1</i>
14		1	* ENGINE, 3 HP Tecumseh (TH098SA-1733E)	<i>19" Series 1</i>
14		1	* ENGINE, 3 HP Tecumseh (TH098SA-1734E)	<i>19" Euro Series 1</i>
15	7010783	1	KEY, 5/32 x 5/8" Woodruff	
16	7023978	1	COVER, Bottom	<i>Recoil Start Models</i>
16	7024923	1	COVER, Bottom	<i>Electric Start Models</i>
17	7090913	2	SCREW, #10-24 x 1/2" Hex Washer Self-Tap (Torx)	
18	7024478	1	HANDLE, Pull Rope	<i>94 Model Year and Earlier</i>
19	7028201	1	HANDLE, Pull Rope	<i>95 Model Year and Later</i>
19	7025063	1	HANDLE, Pull Rope	<i>3190M, 3190E & Series 1 Models (not shown)</i>
20	7091196	2	SCREW, #8 x 1-1/4" Hi-Lo Self-Tap	
21	7091546	1	WASHER, 5/8" Internal Tooth Lock	<i>Was 90880</i>
22	7014359	1	FILTER, In-Line	
23	7091495	3	SCREW, 1/4-20 x 3/4" Hex Head Cap, GR 5	<i>Was 90073</i>
24	7027910	1	ISOLATOR, Fuel Tank/Cover	
25	7027911	1	SPACER	
26	7090010	4	WASHER, #10 Flat	<i>Electric Start Models only</i>
27	7090052	1	WASHER, 1/4" Split Lock	
28	7028202	1	INSERT, Starter Handle	<i>95 Model Year and Later</i>
29	7027945	2	MUFFLER STUD	<i>LE317</i>

Footnotes:

Note * Purchase engine & engine parts other than those listed, from engine service outlets.

COVERS, ENGINE



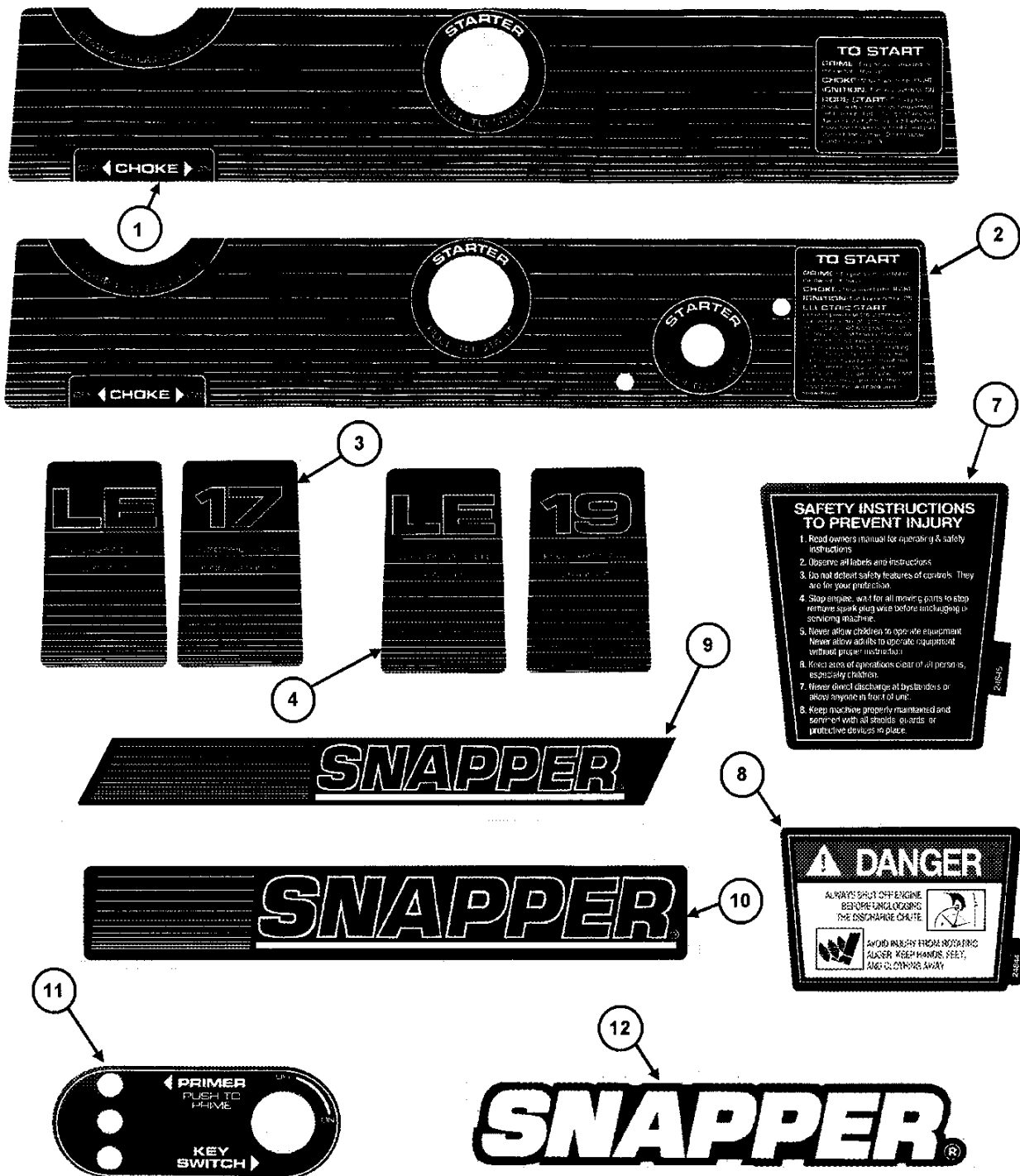
COVERS, ENGINE

Item	Part No	Qty	Description	Note
30	7024640	2	MUFFLER STUD	<i>LE319 (not shown)</i>
31	7028599	1	KNOB, Red	

Footnotes:

Note * Purchase engine & engine parts other than those listed, from engine service outlets.

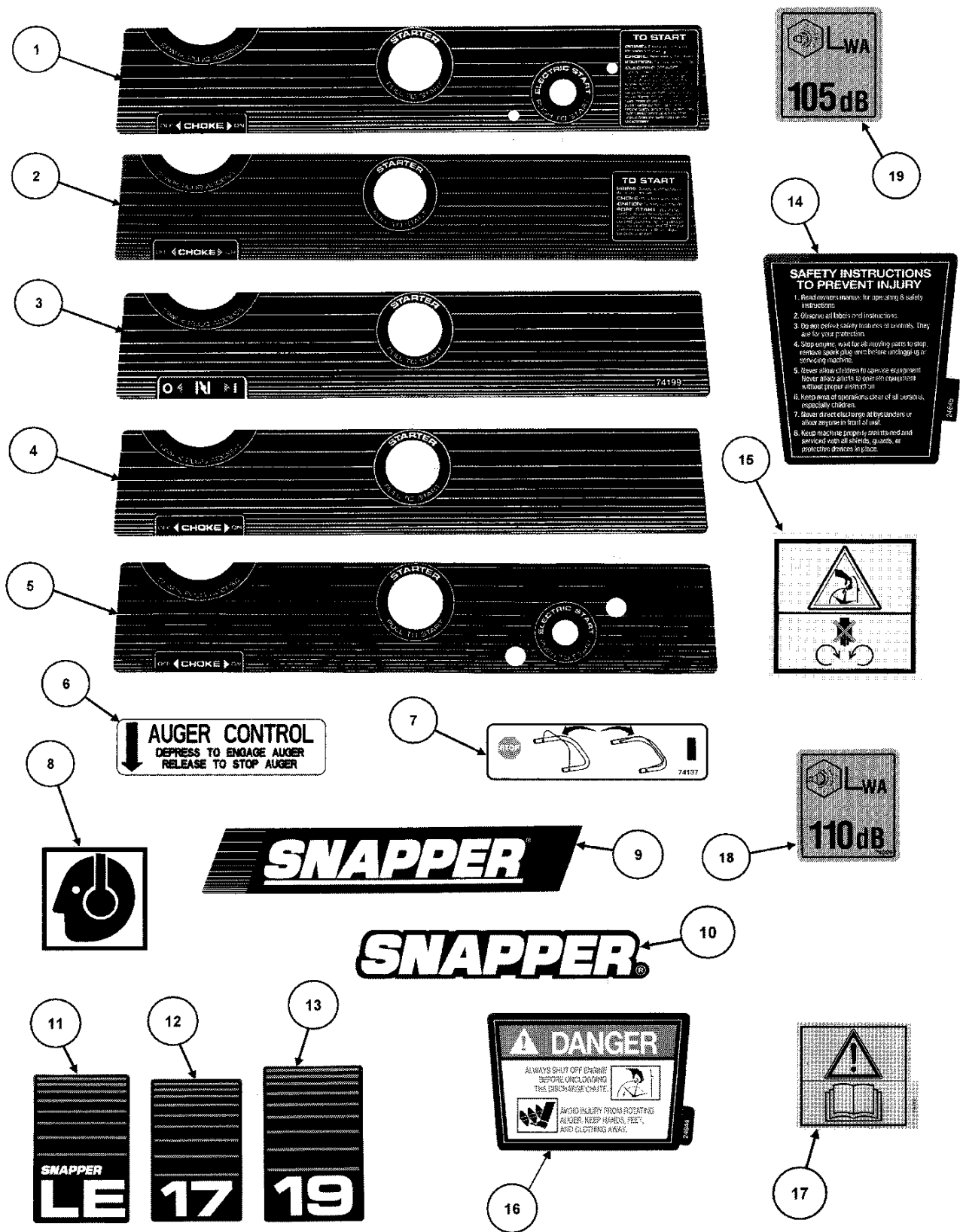
DECALS (94 MODEL YEAR & EARLIER)



DECALS (94 MODEL YEAR & EARLIER)

Item	Part No	Qty	Description	Note
1	7024848	1	DECAL, Panel Instructions	<i>Recoil Start Models</i>
2	7024851	1	DECAL, Panel Instructions	<i>Electric Start Models only</i>
3	7024846	1	DECAL, 17" Models	<i>Electric Start Models only</i>
3	7026851	1	DECAL, 17" Models	<i>Electric Start Models only</i>
4	7024850	1	DECAL, 19" Models	<i>Electric Start Models only</i>
4	7026850	1	DECAL, 19" Models	<i>Recoil Start Models</i>
7	7024845	1	DECAL, Safety Instruction	
8	7024844	1	DECAL, Danger	
9	7026091	1	DECAL, SNAPPER (Top Cover)	
10	7026092	1	DECAL, SNAPPER (Belt Cover)	
11	7024849	1	DECAL, Primer Instruction	
12	7024983	1	LOGO, SNAPPER	

Footnotes:



DECALS (95 MODEL YEAR & LATER) Pt. 1

Item	Part No	Qty	Description	Note
1	7028292	1	DECAL, Panel Instructions	<i>Electric Start Models only</i>
2	7073463	1	DECAL, Panel Instructions	<i>Was 28291 Recoil Start Models</i>
3	7074199	1	DECAL, Panel Instructions	<i>Euro Models</i>
4	7073463	1	DECAL, Panel Instructions	<i>Recoil Start Models</i>
5	7073466	1	DECAL, Panel Instructions	<i>Electric Start Models only</i>
6	7072883	1	DECAL, Auger Control	
7	7074137	1	DECAL, Auger Control	<i>Euro Models</i>
8	7027733	1	DECAL, Ear Protection	
9	7028284	1	DECAL, SNAPPER (Belt Cover)	<i>13" long</i>
9	7028290	1	DECAL, SNAPPER (Belt Cover)	<i>15" long</i>
10	7024983	1	LOGO, SNAPPER	
11	7028285	1	DECAL, L.E. Model	
12	7028286	1	DECAL, 17" Model	
13	7028287	1	DECAL, 19" Model	
14	7024845	1	DECAL, Chute, Safety Instructions	
15	7074197	1	DECAL, Chute	<i>Euro Models</i>
16	7024844	1	DECAL, Danger, Chute Deflector	
17	7028700	1	DECAL, Deflector, Read Manual	<i>Euro Models</i>
18	7074329	1	DECAL, Sound (110 dB)	
19	7074136	1	DECAL, Sound (105 dB)	

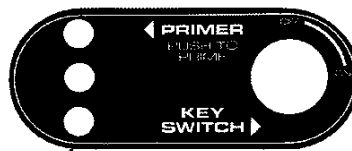
Footnotes:

⚠ WARNING

SAFETY INSTRUCTIONS TO PREVENT INJURY

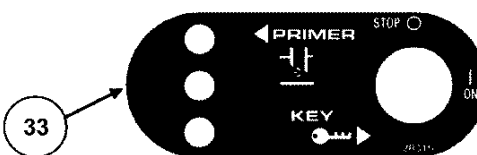
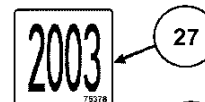
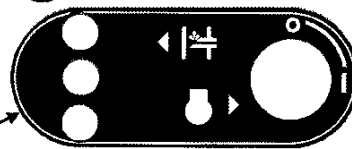
1. READ OWNERS MANUAL FOR OPERATING & SAFETY INSTRUCTIONS.
2. OBSERVE ALL LABELS AND INSTRUCTIONS.
3. DO NOT DEFEAT SAFETY FEATURES OF CONTROLS. THEY ARE FOR YOUR PROTECTION.
4. STOP ENGINE, WAIT FOR ALL MOVING PARTS TO STOP. REMOVE SPARK PLUG WIRE BEFORE UNBLOCKING OR SERVICING MACHINE.
5. DO NOT ALLOW CHILDREN TO OPERATE EQUIPMENT. NEVER ALLOW ADULTS TO OPERATE EQUIPMENT WITHOUT PROPER INSTRUCTIONS.
6. KEEP AREA OF OPERATIONS CLEAR OF ALL PERSONS, ESPECIALLY CHILDREN.
7. NEVER DIRECT DISCHARGE AT BYSTANDERS OR ALLOW ANYONE IN FRONT OF MACHINE.
8. KEEP MACHINE PROPERLY MAINTAINED AND SERVICED WITH ALL SHIELDS, GUARDS, OR PROTECTIVE DEVICES IN PLACE.

73481



⚠ CAUTION

IF BATTERY IS REMOVED, DO NOT OPERATE ENGINE WITHOUT INSULATING POS + BATTERY CABLE TERMINAL WITH ELECTRICAL TAPE OR SPARKING FROM BATTERY CABLES CAN RESULT.



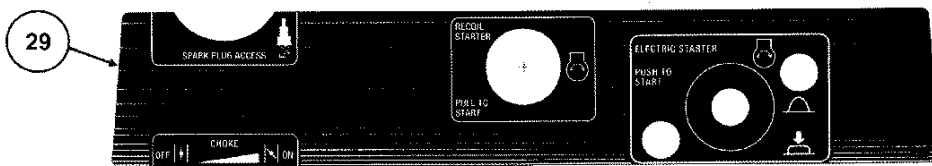
IMPORTANT ENGINE INFORMATION

TECHUMSEN PRODUCTS CO.
THIS ENGINE MEETS 1998-99 CALIF. S. U.S. EPA PHASE II APPLICABLE EMISSION REGULATIONS FOR LARGE ENGINES FUEL UNLEADED FUEL ONLY MAX 92-1

ENGINE MODEL
ENGINE FAMILY VTP068U025RB
EPA ACERT # 2003-01-0078

⚠ SAFETY: FOR PERSONAL PROTECTION REFER TO OWNER'S MANUAL FOR IMPORTANT SAFETY AND MAINTENANCE INFORMATION

THIS UNIT IS EQUIPPED WITH AN ENVIRONMENTALLY FRIENDLY ENGINE.



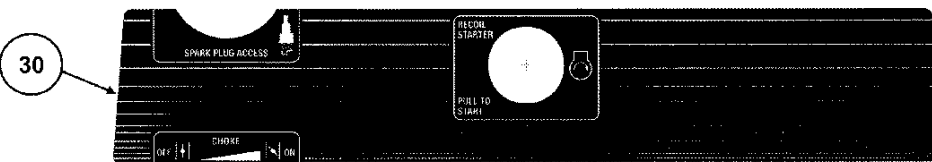
⚠ WARNING

To avoid injury or death, read the engine operator's manual and the equipment owner's manual. Call 1(800)206-0002 for engine owner's manual.

--- IMPORTANT SAFETY INFORMATION ---
TECHUMSEN PRODUCTS CO.

THIS ENGINE MEETS CALIF. S. U.S. EPA PHASE II EMISSION REGULATIONS FOR LARGE ENGINES FUEL UNLEADED FUEL ONLY MAX 92-1

THIS UNIT IS EQUIPPED WITH AN ENVIRONMENTALLY FRIENDLY ENGINE.



⚠ WARNING

AVOID SERIOUS INJURY OR DEATH

- Read the operator's manual for operating and safety instructions.
- Do not defeat the safety features of controls. They are there for your protection.
- Keep machine properly maintained and serviced with all shields, guards and protective devices in place.
- Never allow children to operate snow thrower.
- Keep area of operation clear of all persons, especially children.
- Always direct discharge chute so as to avoid injury to persons or damage to property.
- Stop engine and disconnect spark plug wire before servicing the unit.

26733

⚠ DANGER

AVOID INJURY FROM ROTATING AUGER!

Keep hands, feet, and clothing away.

1718527



DECALS (95 MODEL YEAR & LATER) Pt. 2

Item	Part No	Qty	Description	Note
20	7073461	1	DECAL, Warning Safety Instructions	
21	7028288	1	DECAL, Primer Instruction	
22	7074209	1	DECAL, Primer Instruction	<i>Euro Models</i>
23	7073844	1	DECAL, Fuel Safety	
24	7029776	1	DECAL, Euro Community	
25	7028711	1	DECAL, Foot/Danger	<i>Euro Models</i>
26	7046276	1	DECAL, Tecumseh 3HP Carb/EPA Certified	<i>Tecumseh p/n 64-1654-64</i>
27	7074548	1	DECAL, 2002 Year of Manufacture (Not shown)	
27	7075378	1	DECAL, 2003 Year of Manufacture	
28	7016134	1	DECAL, Caution Tag	
29	7026218	1	DECAL, Panel Instructions	<i>Electric Start Models only</i>
30	7026217	1	DECAL, Panel Instructions	<i>Recoil Start Models</i>
31	7026241	1	DECAL, Top Cover, Left Hand	
32	7024565	1	DECAL, Top Cover, Right Hand	
33	7028315	1	DECAL, Primer Instruction/Key Switch	
34	7028004	1	DECAL, Top Cover, Front	
35	7044999	1	DECAL, Tecumseh 3HP Carb/EPA Certified	<i>Tecumseh p/n 64-2128-105</i>
36	1716532	1	DECAL, Danger, Auger	
37	7026733	1	DECAL, Warning Safety Instructions	

Footnotes:

No
Diagram
Available

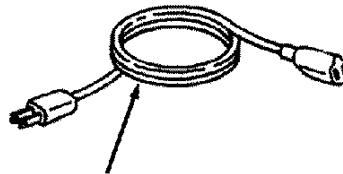
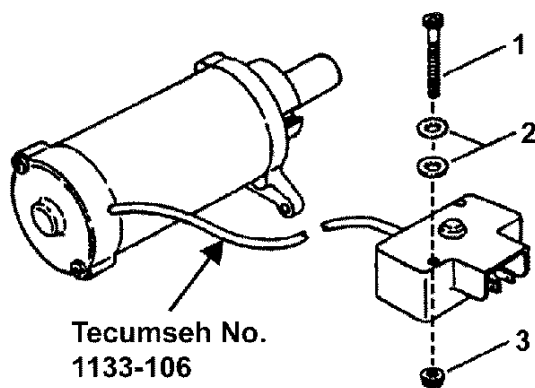
Parts List
Only

HARDWARE BAGS

Item	Part No	Qty	Description	Note
	7063186	1	HARDWARE BAG (includes Items 1 thru 6)	<i>Model ELE3190R</i>
	7061217	1	HARDWARE BAG (includes Items 1, 2, 3 & 5)	<i>Models LE3170R, LE3190R, LE3190E, 3190M, 3190E & all Series 1</i>
1	7091318	2	SCREW, 5/16-18 x 3/4" Hex Head Cap, GR 2	<i>Was 90206</i>
2	7091928	2	BOLT, 5/16-18 x 1-1/4" Square Neck Carriage	<i>Was 90978</i>
3	7091601	3	NUT, 5/16-18 Hex Flange Lock, GR 5	<i>Was 91070</i>
4	7092077	1	SCREW, #8-32 x 1/2" Pan Head Cross Recess	
5	7090316	1	BOLT, 5/16-18 x 3/4" Short Neck Carriage, GR 5	<i>Was 91097</i>
6	7092078	1	NUT, #8-32 Hex (w/free spinning external lock washer)	

Footnotes:

ACCESSORIES- ELECTRIC START KIT



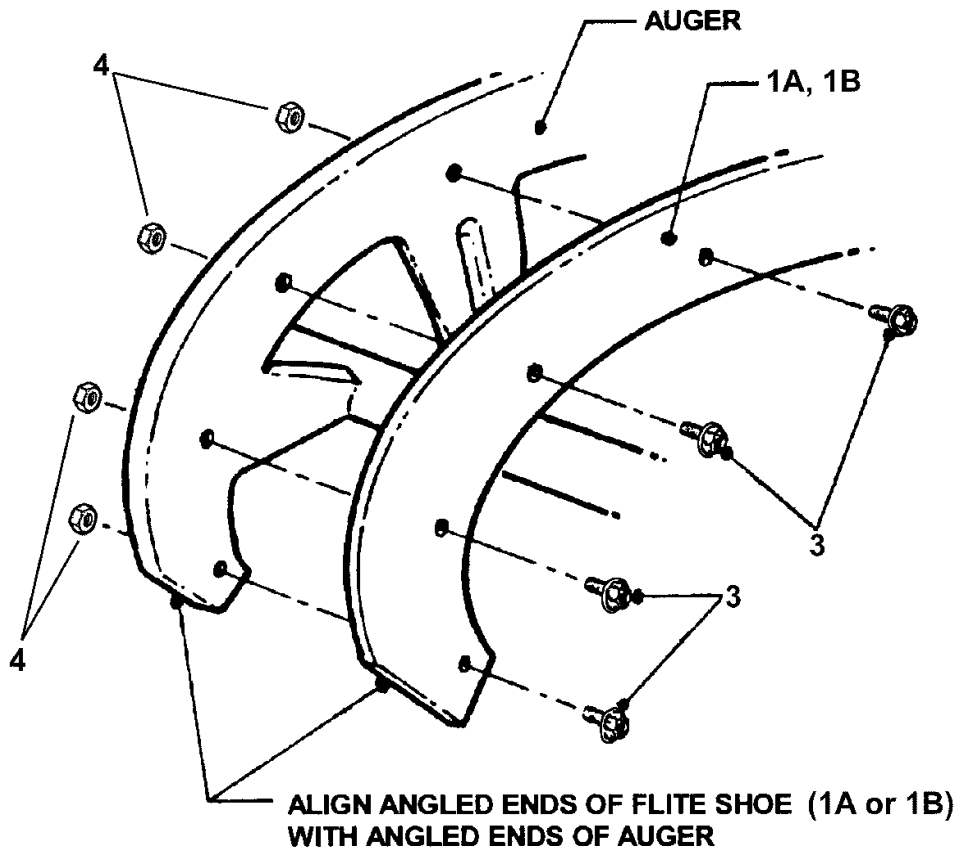
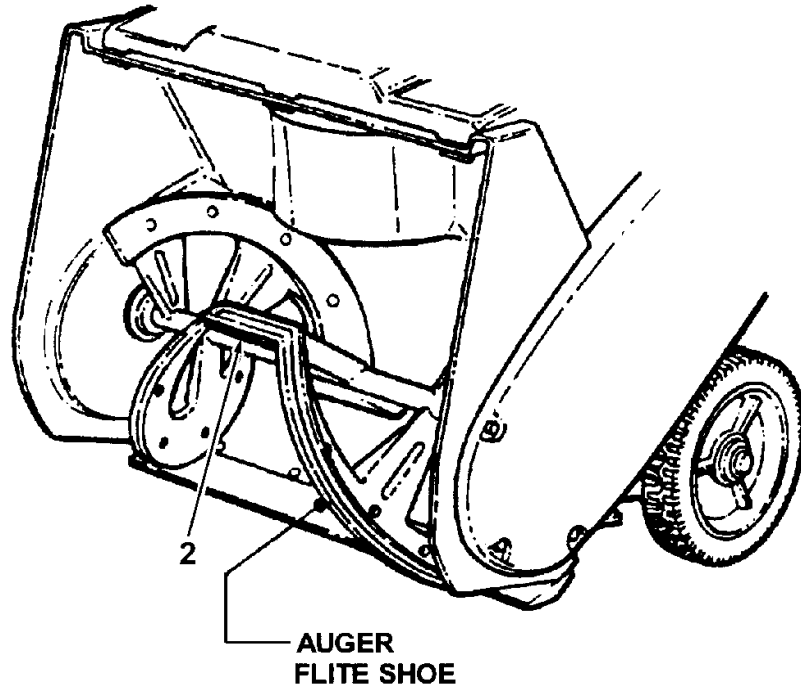
*** 10 FT. CORD INCLUDED WITH STARTER KIT
(Tecumseh Part Numbers 1A174-17 or 32450-B)
Snapper P/N 29747 (for LE3170E & LE3190E) or
Snapper P/N 15368 (for model 3190E)**

***Parts Available Only From Engine Manufacturer.**

ACCESSORIES- ELECTRIC START KIT

Item	Part No	Qty	Description	Note
	7063186		BAG, Hardware (Incl. items 1 thru 6)	
1	7090206	2	SCREW, 5/16-18 x 3/4" Hex Head Cap GR5	<i>discharge chute, item 3</i>
2	7090978	2	BOLT, 5/16-18 x 1-1/4" Sq. Neck Carriage GR5	<i>handles, item 11</i>
3	7091070	3	NUT, 5/16-18 Hex Flange Lock GR5	<i>discharge chute, item 11</i>
4	7092077	1	SCREW, #8-32 x 1/2" Pan Head Cross Recess	<i>discharge chute, item 16</i>
5	7091097	1	BOLT, 5/16-18 x 3/4" Sq. Neck Carriage GR5	<i>discharge chute, item 12</i>
6	7092078	1	NUT, #8-32 Hex w/External Tooth Washer	<i>discharge chute, item 17</i>

Footnotes:



ACCESSORIES- FLITE SHOE KITS

Item	Part No	Qty	Description	Note
	7061215	1	KIT, 17" Flite Shoe (incl. Items 1A, 2, 3 & 4)	
	7061213	1	KIT, 19" Flite Shoe (incl. Items 1B, 2, 3 & 4)	
1A	7029566	4	SHOE, 17" Flite Auger	
1B	7029565	4	SHOE, 19" Flite Auger	
2	7014612	2	SHOE, Flite Center	
3	7091148	24	* SCREW, 1/4-20 x 1/2" Machine	<i>28 used in 19" kit</i>
4	7090372	24	* NUT, 1/4-20 Hex Center Lock, GR 5 or B	<i>28 used in 19" kit</i>

Footnotes:

Note: * Items 3 & 4 were used on early models, but were replaced by self-tapping screws (91286) on later models.

Parts Manual for

SNAPPER®

(L.E.) SINGLE STAGE SNOW THROWER SERIES 0 & 1

IT IS THE POLICY OF BRIGGS & STRATTON CORP TO IMPROVE ITS PRODUCTS WHENEVER IT IS POSSIBLE AND PRACTICAL TO DO SO. WE RESERVE THE RIGHT TO MAKE CHANGES OR ADD IMPROVEMENTS AT ANY TIME WITHOUT INCURRING ANY OBLIGATION TO MAKE SUCH CHANGES ON PRODUCTS

SNAPPER® McDonough, GA, 30253 U.S.A.

Free Manuals Download Website

<http://myh66.com>

<http://usermanuals.us>

<http://www.somanuals.com>

<http://www.4manuals.cc>

<http://www.manual-lib.com>

<http://www.404manual.com>

<http://www.luxmanual.com>

<http://aubethermostatmanual.com>

Golf course search by state

<http://golfingnear.com>

Email search by domain

<http://emailbydomain.com>

Auto manuals search

<http://auto.somanuals.com>

TV manuals search

<http://tv.somanuals.com>