

Parts Manual for

SNAPPER®

522 SINGLE STAGE SNOW THROWER SERIES 0

| MODEL |
|----------------------------|
| <i>ESS50220E (7800083)</i> |
| <i>SS50220E (7800080)</i> |



Briggs & Stratton Yard Power Products Group

535 Macon Road
McDonough, GA, 30253 U.S.A.
800-935-2967

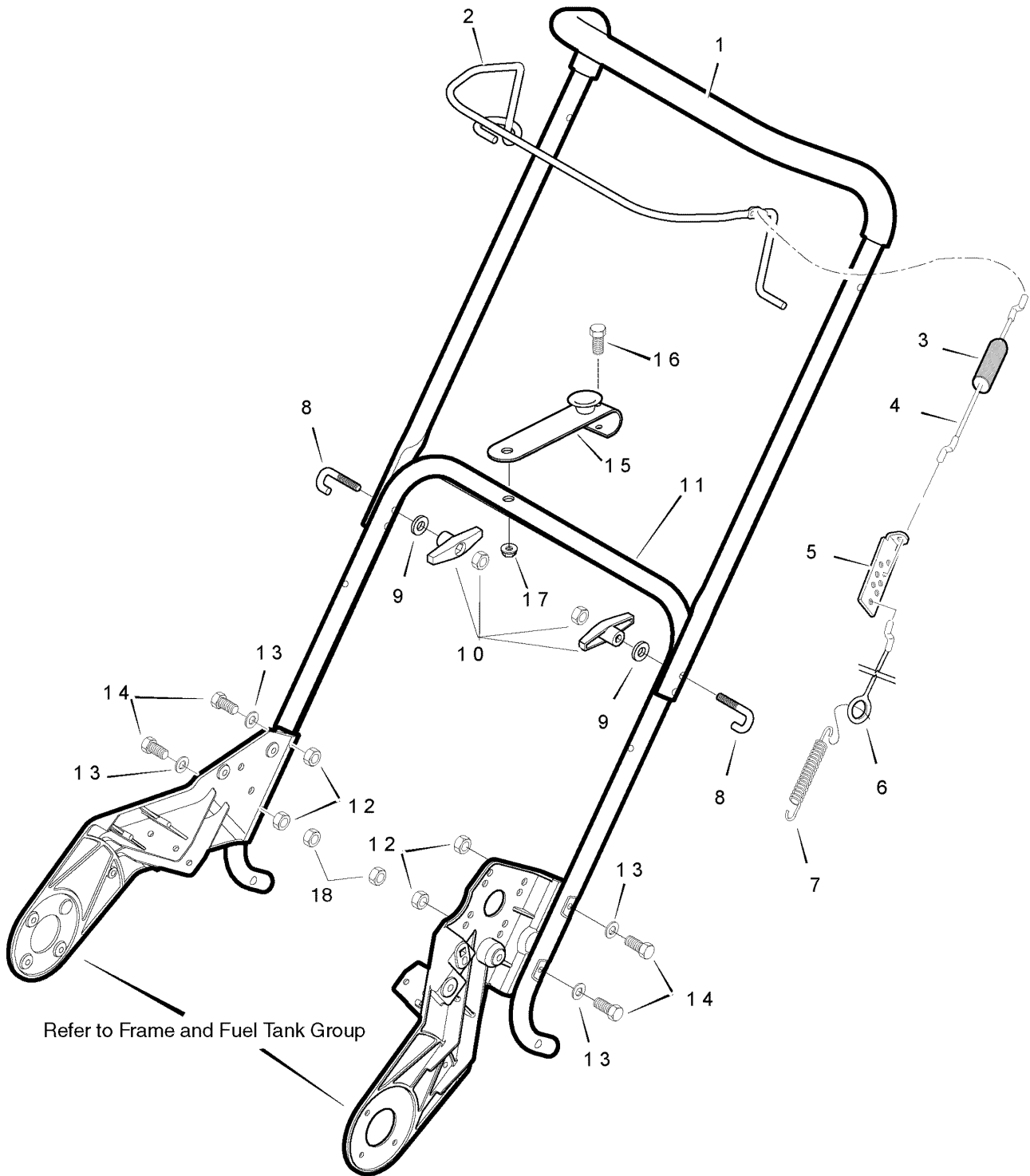
Revision B, 4/28/2008

Manual No. 7006053

TP 400-5245-B-SX-N

| PAGE | GROUP |
|-------------|---------------------------|
| 4 | Handle Assembly Group |
| 6 | Body Covering Group |
| 8 | Auger and Housing Group |
| 10 | Chute System Group |
| 12 | Frame and Fuel Tank Group |
| 14 | Engine Drive System Group |
| 18 | Wheel Assembly Group |
| 20 | Electric Starter Group |
| 22 | Decals Group |

Handle Assembly Group

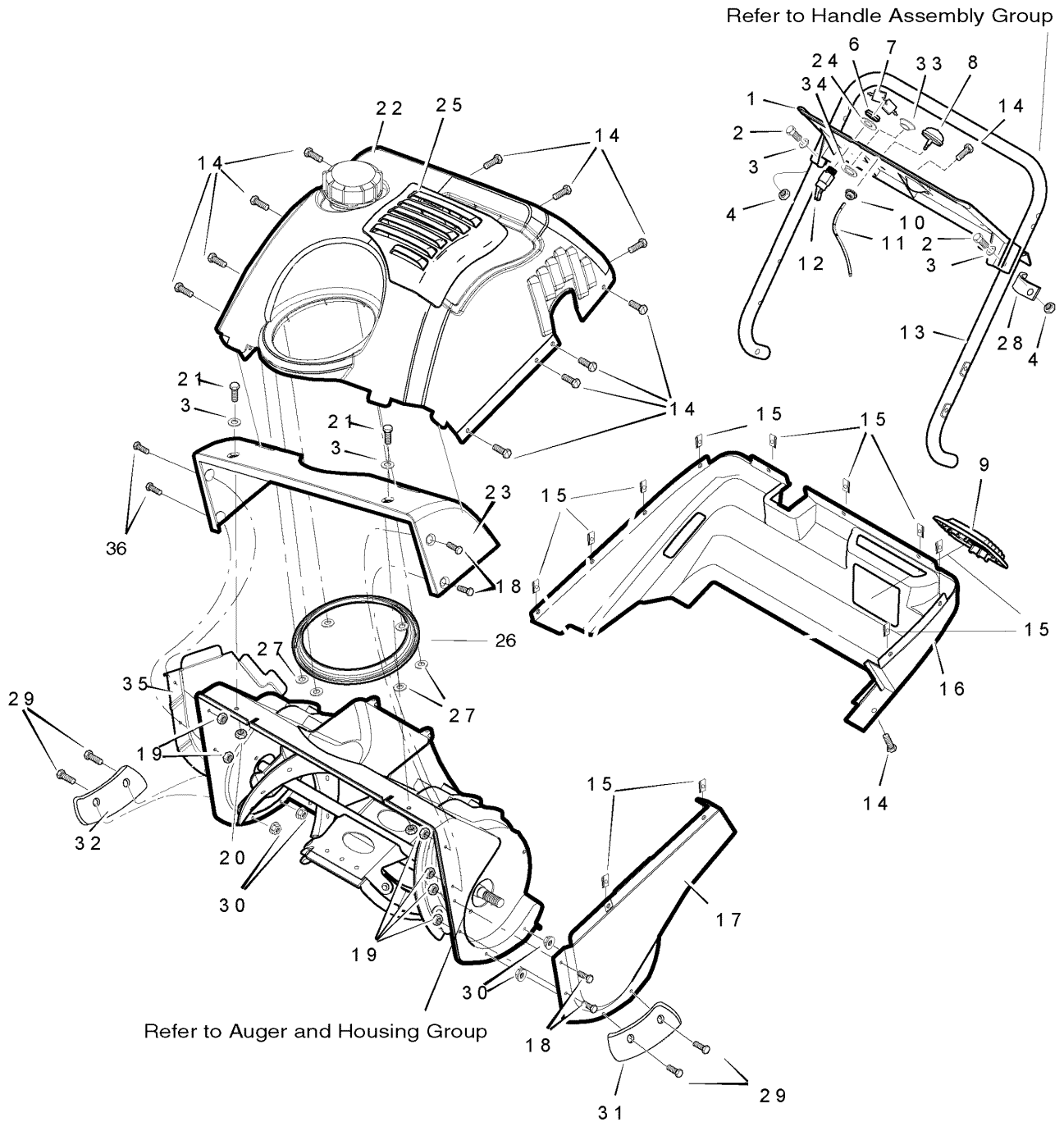


Handle Assembly Group

| Item | Part No | Qty | Description | Note |
|------|-------------|-----|---|---------------|
| 1 | 722348 | 1 | HANDLE & GRIP ASSEMBLY | |
| 2 | 722313 | 1 | CONTROL, Bail | |
| 3 | 723154 | 1 | BOOT, Clutch Spring | |
| 4 | 722366 | 1 | CABLE, Upper Control | |
| 5 | 723259 | 1 | BRACKET, Control Adjust | |
| 6 | 723261 | 1 | CABLE, Lower Control | |
| 7 | 723263 | 1 | SPRING, Extension 3/4 O.D. x .069 | |
| 8 | 722326 | 2 | U-BOLT, 5/16-18 | |
| 9 | 723239 | 2 | WASHER, Form 11/32 ID 1.0 | |
| 10 | 722136 | 2 | WING KNOB, (includes 5/16-18 hex nut #722399) | was 1501260MA |
| 11 | 1740343 | 1 | HANDLE, Lower | |
| 12 | 725429 | 4 | NUT, 1/4-20 Regular Hex Control Lock | |
| 13 | 725330 | 4 | WASHER FLAT 9/32 x 5/8 x .065 | |
| 14 | 723280 | 4 | SCREW, 1/4-20 x 1.25 | |
| 15 | 1733377 | 1 | BRACKET, Chute Handle Assembly | |
| 16 | 1740344 | 1 | BOLT, 1/4-20 x 1.50 Hex Head | |
| 17 | 1740345E701 | 1 | NUT, 1/4-20 Hex Head Nylock Blk | |
| 18 | 725408 | 2 | Nut, 5/16-18 Hex Center Lock | |

Footnotes:

Body Covering Group

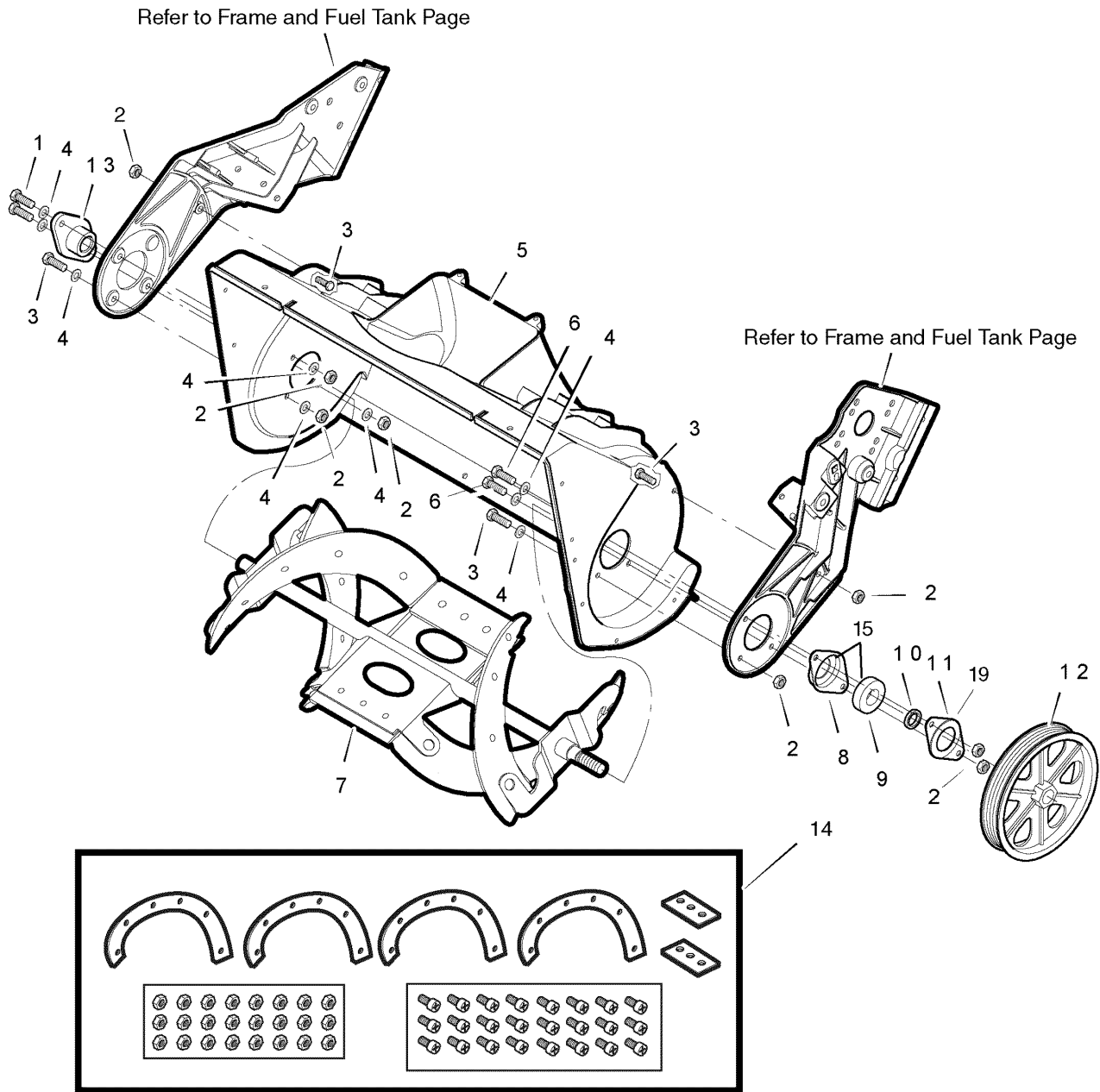


Body Covering Group

| Item | Part No | Qty | Description | Note |
|------|---------|-----|--|------|
| 1 | 1740006 | 1 | PANEL, Control 22" SS DLR | |
| 2 | 723280 | 2 | SCREW, 1/4-20 x 1.25 | |
| 3 | 725330 | 4 | WASHER, Flat 9/32 x 5/8 x .065 | |
| 4 | 725429 | 2 | NUT, 1/4-20 | |
| 6 | 722906 | 1 | NUT, 5/8-32 | |
| 7 | 691959 | 1 | KEY, Set | |
| 8 | 394281S | 1 | PRIMER, Carburetor | |
| 9 | 722327 | 1 | PANEL, Access 22" SS DLR | |
| 10 | 727479 | 1 | NUT, Keps 1/4-20 | |
| 11 | 723672 | 1 | HOSE, Primer 9.5" | |
| 12 | 724504 | 1 | SWITCH, Ignition | |
| 13 | 722312 | 1 | HANDLE, Lower | |
| 14 | 723283 | 13 | SCREW, 1/4-14 x 3/4 | |
| 15 | 724571 | 11 | J-NUT, 1/4-10 | |
| 16 | 1740004 | 1 | COVER, Bottom 22" SS DLR | |
| 17 | 1740005 | 1 | COVER, Belt 22" SS DLR | |
| 18 | 721923 | 6 | SCREW, 10-24 x 1/2 | |
| 19 | 723243 | 6 | LOCKNUT, Hex 10-24 Regular Center Lock | |
| 20 | 722398 | 1 | LOCKNUT, Hex 1/4-20 | |
| 21 | 1740383 | 2 | SCREW, 1/4-20 x 5/8 | |
| 22 | 1740351 | 1 | COVER, Top 22" SS DLR | |
| 23 | 1740007 | 1 | COVER, Auger Top 22" SS DLR | |
| 24 | 727970 | 1 | WASHER, Interlock 41/64 x 1.1 | |
| 25 | 1740002 | 1 | COVER, Access Oil | |
| 26 | 1740020 | 1 | GASKET, Chute Ring | |
| 27 | 720384 | 6 | NUT, PUSH | |
| 28 | 729475 | 1 | CLIP, Cable | |
| 29 | 1740381 | 4 | SCREW, 10-32 x .75 | |
| 30 | 1740382 | 4 | NUT, 10-32 Nylock | |
| 31 | 1740397 | 1 | SHOE, Skid L.H | |
| 32 | 1740398 | 1 | SHOE, Skid, R.H | |
| 33 | 729580 | 1 | ROPE, GROMMET | |
| 34 | 729667 | 1 | ROPE, GROMMET, Washer | |
| 35 | 1740071 | 1 | COVER, Auger R.H | |

Footnotes:

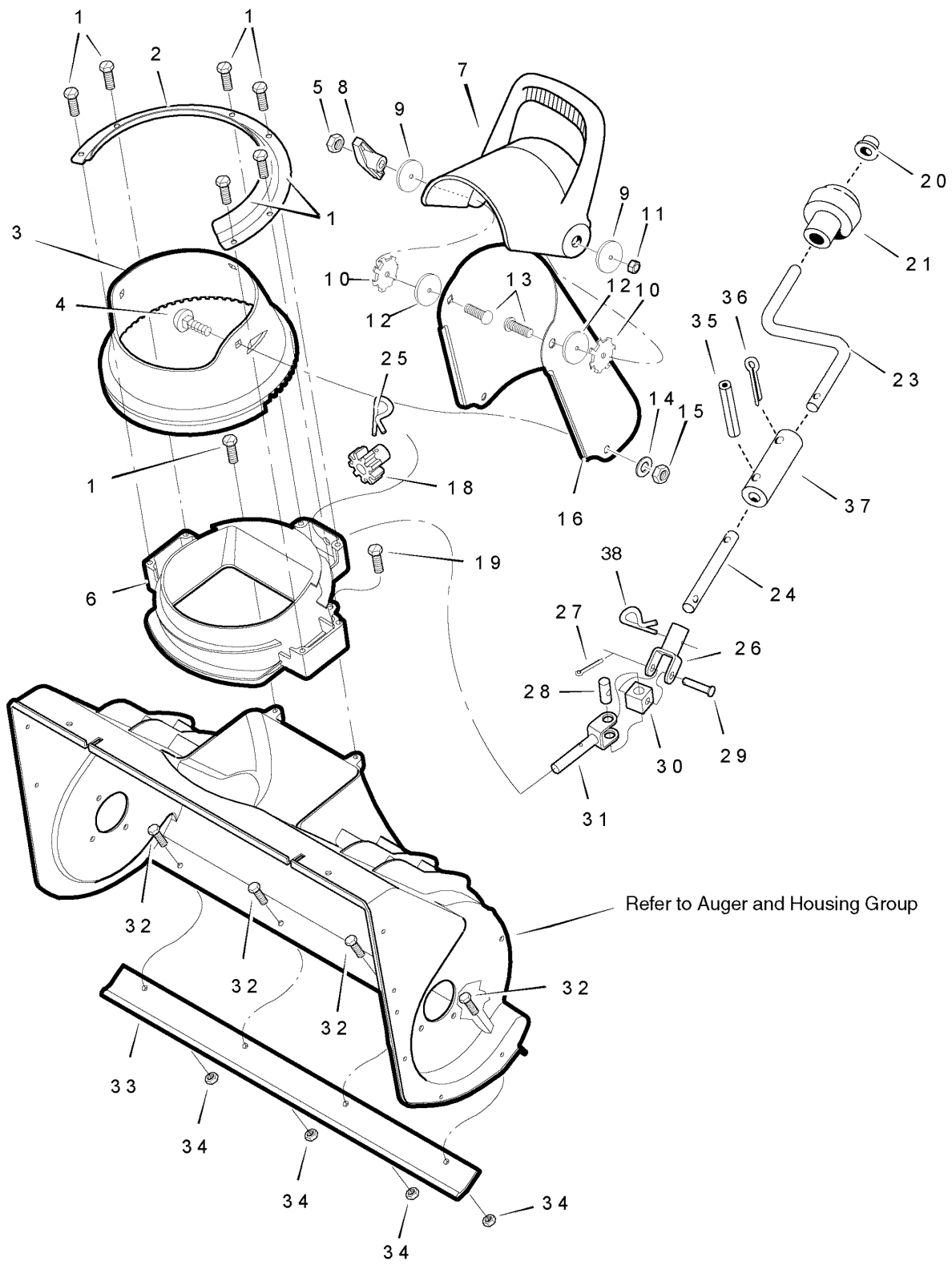
Auger and Housing Group



Auger and Housing Group

| Item | Part No | Qty | Description | Note |
|------|---------|-----|-------------------------|------|
| 1 | 725304 | 2 | SCREW, 1/4-20 x 1.00 | |
| 2 | 725429 | 8 | NUT, Hex 1/4-20 | |
| 3 | 723010 | 4 | SCREW, 1/4-20 x 3/4 | |
| 4 | 725330 | 10 | WASHER, Flat | |
| 5 | 1740348 | 1 | HOUSING ASSEMBLY, Auger | |
| 6 | 728095 | 2 | SCREW, 1/4-20 x 5/8 | |
| 7 | 1740380 | 1 | AUGER, Assembly, 22" | |
| 8 | 724638 | 1 | RETAINER, Bearing | |
| 9 | 724001 | 1 | BEARING, Ball | |
| 10 | 724570 | 1 | SLEEVE, Spacer | |
| 11 | 723659 | 1 | PLATE, Bearing Retainer | |
| 12 | 723622 | 1 | PULLEY, Auger Drive V6 | |
| 13 | 724547 | 1 | BEARING, Flange | |
| 14 | 1687312 | 1 | KIT, Auger Flight | |
| 15 | 724753 | 1 | assy, Plate & Bearing | |
| 19 | 728822 | 1 | RETAINER, Bearing | |

Footnotes:

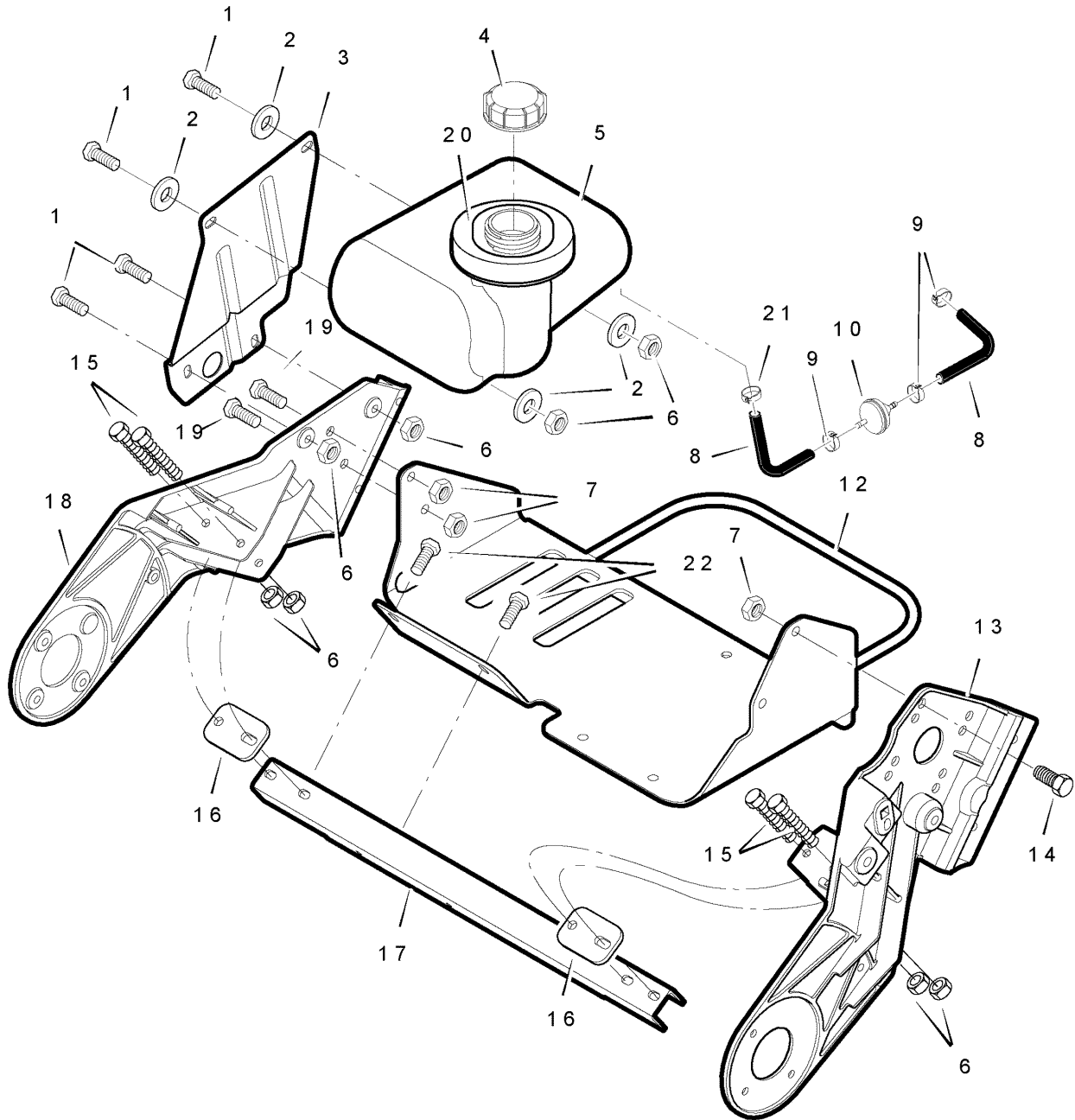


Chute System Group

| Item | Part No | Qty | Description | Note |
|------|---------|-----|----------------------------------|------|
| 1 | 723283 | 6 | SCREW, 1/4-14 | |
| 2 | 727525 | 1 | RETAINER, Chute Ring | |
| 3 | 1740060 | 1 | RING, Chute | |
| 4 | 723873 | 3 | BOLT, Carriage 5/16-18 x 3/4 | |
| 5 | 725320 | 1 | NUT, 5/16-18 Reghex | |
| 6 | 722303 | 1 | NECK, Chute | |
| 7 | 1716631 | 1 | CHUTE, 22" Upper | |
| 8 | 727445 | 1 | T-KNOB, 3.00 Plastic | |
| 9 | 1920283 | 2 | WASHER, Flat 1 - 1/2 O.D | |
| 10 | 1716642 | 2 | LOCKWASHER, Shakeproof | |
| 11 | 725408 | 1 | LOCKNUT, Hex 5/16-18 | |
| 12 | 1716624 | 2 | WASHER, Rubber 1-1/2 O.D | |
| 13 | 1740384 | 2 | BOLT, Upper Chute | |
| 14 | 725332 | 2 | WASHER, Flat 13/32 x 13/16 | |
| 15 | 725321 | 2 | NUT, 5/16-18 Hex, Nylock | |
| 16 | 1716612 | 1 | CHUTE, Lower | |
| 18 | 722073 | 1 | GEAR, 9-Tooth | |
| 19 | 723283 | 1 | SCREW, 1/4-14 x .75 | |
| 20 | 1740420 | 1 | NUT, Push | |
| 21 | 1714084 | 1 | KNOB, Crank | |
| 23 | 1733369 | 1 | CRANK, Chute Rotation | |
| 24 | 1720576 | 1 | HANDLE, Chute Rotator Lower | |
| 25 | 722139 | 1 | PIN, Hair | |
| 26 | 722076 | 1 | YOKE ASSEMBLY, Adapter | |
| 27 | 724605 | 1 | PIN, Cotter | |
| 28 | 724564 | 1 | PIN, Universal Joint | |
| 29 | 724579 | 1 | PIN, Clevis | |
| 30 | 724565 | 1 | BLOCK, Universal Pivot | |
| 31 | 722322 | 1 | ROD, Lower Crank | |
| 32 | 723010 | 4 | SCREW 1/4-20 x 3/4 | |
| 33 | 722315 | 1 | BLADE, Scraper | |
| 34 | 722398 | 4 | LOCKNUT, Hex 1/4-20 | |
| 35 | 1740347 | 1 | PIN, Spring 5/32 x 1.00 | |
| 36 | 1740346 | 1 | CLIP, Hairpin 3/32 x 1.625 Black | |
| 37 | 1720577 | 1 | CHUTE HANDLES, Spliced | |
| 38 | 720539 | 1 | Pin, Cotter | |

Footnotes:

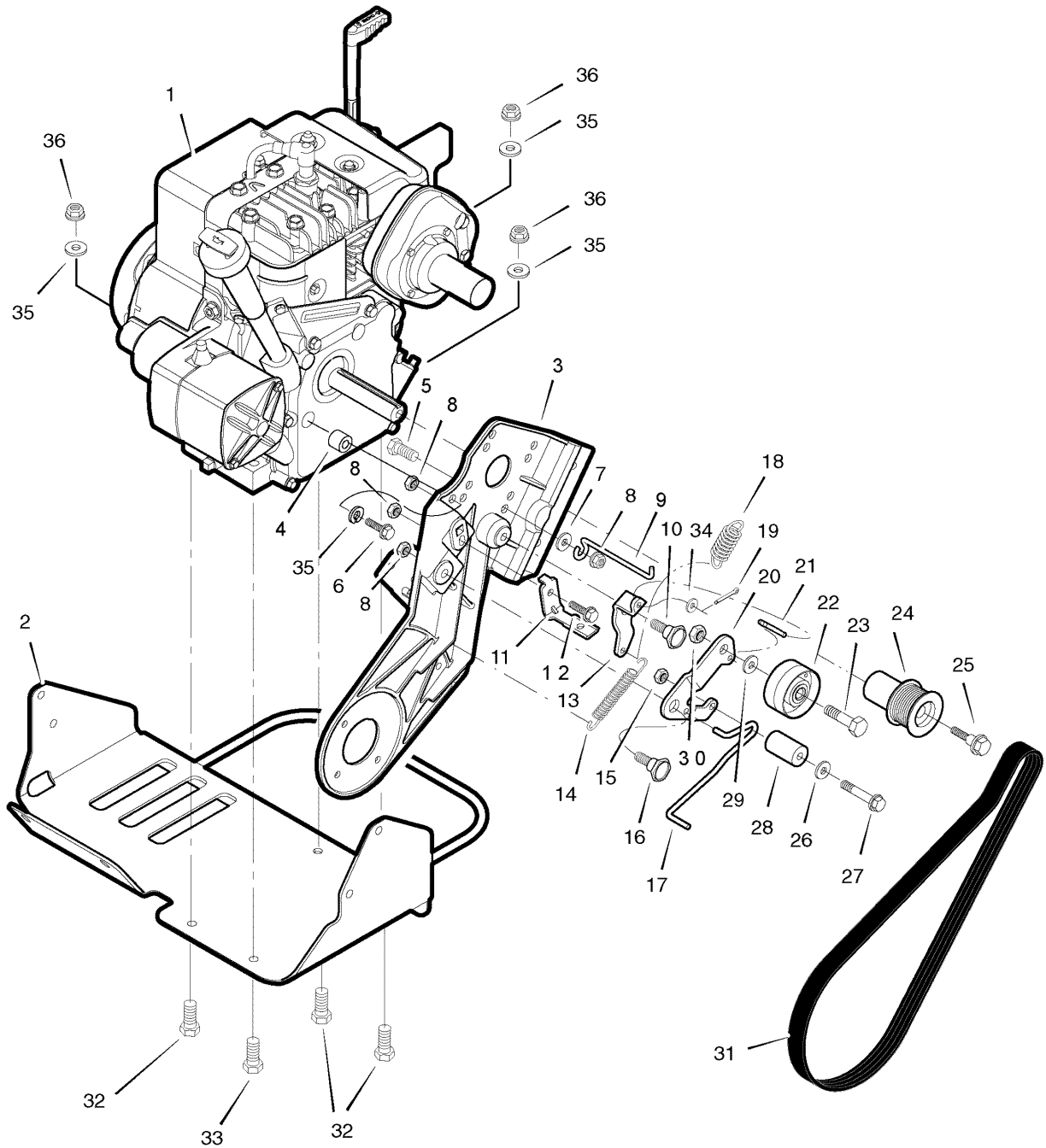
Frame and Fuel Tank Group



Frame and Fuel Tank Group

| Item | Part No | Qty | Description | Note |
|------|-------------|-----|--------------------------------|------|
| 1 | 723010 | 4 | SCREW, 1/4-20 x 3/4 | |
| 2 | 725330 | 4 | WASHER, Flat 9/32 x 5/8 x .065 | |
| 3 | 1740031E701 | 1 | BRACKET, Fuel Tank | |
| 4 | 1715917 | 1 | CAP, Fuel Tank | |
| 5 | 1716634 | 1 | TANK, Fuel | |
| 6 | 725429 | 7 | NUT, Hex 1/4-20 | |
| 7 | 015x43 | 3 | NUT, Hex 5/16-18 | |
| 8 | 722361 | 2 | TUBING, Fuel Line | |
| 9 | 723462 | 3 | CLAMP, Fuel Line | |
| 10 | 722264 | 1 | FILTER, Fuel Line | |
| 12 | 722304 | 1 | CRADLE ASSEMBLY, Engine | |
| 13 | 722321 | 1 | Frame, Left Hand | |
| 14 | 727291 | 1 | SCREW, 5/16-18 x .63 | |
| 15 | 727940 | 4 | SCREW, 1/4-20 x 2.00 | |
| 16 | 727517 | 2 | PLATE, Mounting Support | |
| 17 | 722305 | 1 | SUPPORT, Frame | |
| 18 | 722320 | 1 | FRAME, Right Hand | |
| 19 | 722633 | 2 | SCREW, 5/16-18 x 3/4 | |
| 20 | 1740032 | 1 | RING, Foam | |
| 21 | 724068 | 1 | CLAMP, Fuel Line, Screw Type | |
| 22 | 723210 | 2 | SCREW, 1/4-20 x 5/8 | |

Footnotes:

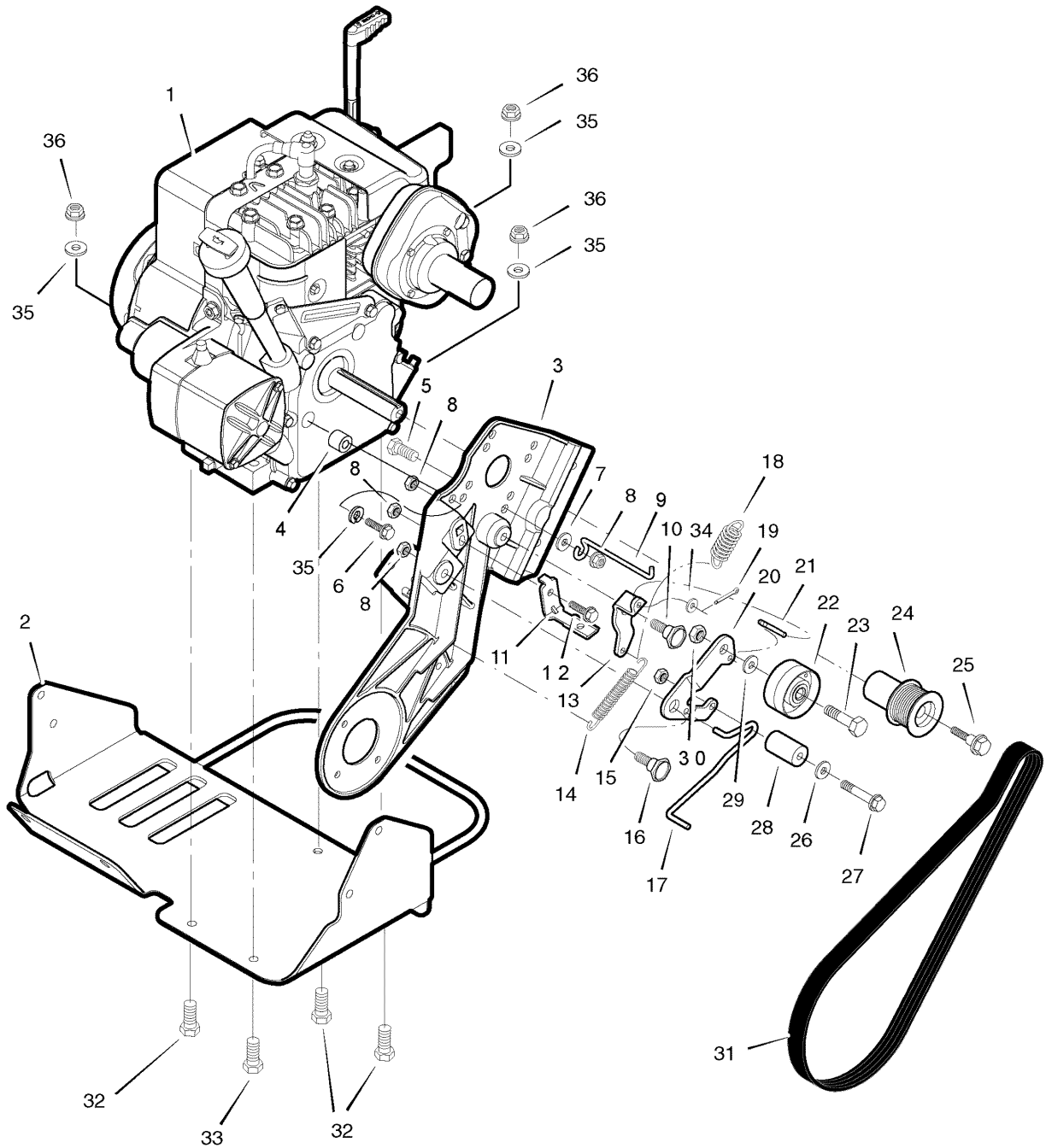


Engine Drive System Group

| Item | Part No | Qty | Description | Note |
|------|---------|-----|--|------|
| 1 | | 1 | * ENGINE, 5HP 4CY B&S Model 09A413-0202-E1 | |
| 1 | | 1 | * ENGINE, 5HP 4CY B&S Model 09A413-0203-E1 | |
| 2 | 722304 | 1 | CRADLE ASSEMBLY, Engine | |
| 3 | 722321 | 1 | FRAME, Left Hand | |
| 4 | 722360 | 1 | ANTIVIBRATION MOUNT, Engine | |
| 5 | 727947 | 1 | BOLT, Hex 5/16-18 x 0865 | |
| 6 | 725244 | 1 | BOLT, Hex 5/16-24 x 1.125 | |
| 7 | 725331 | 1 | WASHER, Flat | |
| 8 | 725408 | 4 | LOCKNUT, Hex Center 5/16-18 | |
| 9 | 723651 | 1 | GUIDE, Belt | |
| 10 | 723625 | 1 | BOLT, Hex Head Shank 5/16-1/2 x 11/64 | |
| 11 | 723648 | 1 | PAD, Brake | |
| 12 | 728095 | 1 | SCREW, 1/4-20 x 5/8 | |
| 13 | 727078 | 1 | IDLER, Arm Pivot | |
| 14 | 723264 | 1 | SPRING, Extension 3/8 O.D. X .039W | |
| 15 | 725429 | 1 | NUT, Hex 1/4-20 | |
| 16 | 723625 | 1 | BOLT | |
| 17 | 722046 | 1 | WIRE, Brake | |
| 18 | 723263 | 1 | SPRING, Extension .75 O.D. x .06 | |
| 19 | 727500 | 1 | PIN, Cotter | |
| 20 | 723409 | 1 | ARM, Idler | |
| 21 | 723256 | 1 | ROD, Clutch Linkage | |
| 22 | 724085 | 1 | PULLEY, Idler | |
| 23 | 723012 | 1 | SCREW, 3/8-16 x 1.50 | |
| 24 | 722331 | 1 | PULLEY, Model 9 Engine | |
| 25 | 722330 | 1 | BOLT, Engine Pulley | |
| 26 | 725330 | 1 | WASHER, Flat | |
| 27 | 727940 | 1 | SCREW, 1/4-20 x 2.00 | |
| 28 | 729335 | 1 | PINCH ROLLER | |
| 29 | 722944 | 1 | WASHER, Flat | |
| 30 | 724840 | 1 | NUT, Hex | |
| 31 | 724870 | 1 | BELT, Drive | |
| 32 | 720025 | 3 | BOLT, Hex 5/16-18 | |
| 33 | 724071 | 1 | SCREW, 3/8-16 x 1.00 | |
| 34 | 723979 | 1 | WASHER, Flat | |
| 35 | 725326 | 4 | LOCKWASHER, Split | |
| 36 | 725320 | 3 | NUT, 5/16-18 | |

Footnotes:

Note: * For information on Replacement Parts contact the engine manufacturer.

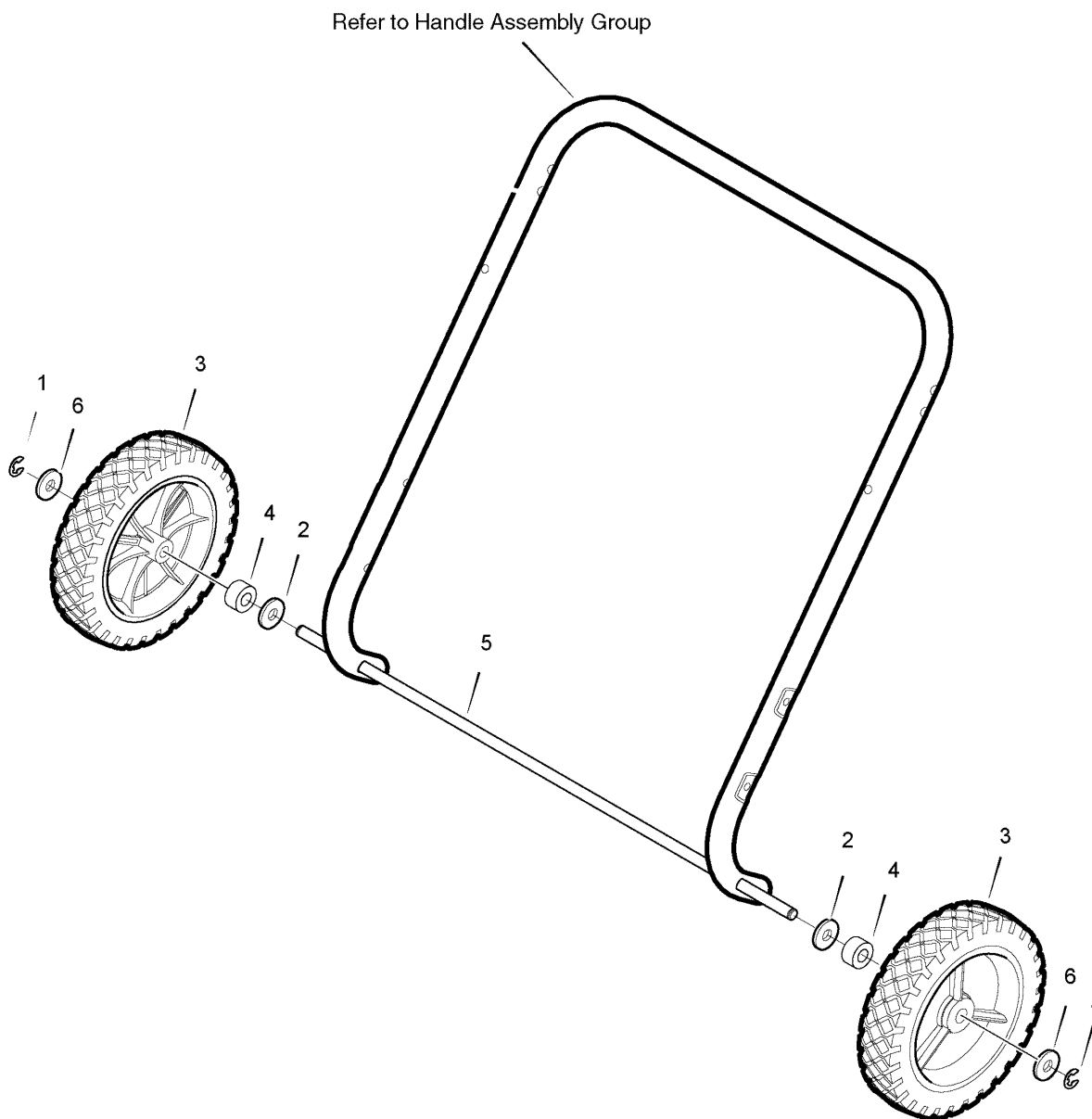


Engine Drive System Group

| Item | Part No | Qty | Description | Note |
|-------------|----------------|------------|------------------------------|-------------|
| | 1740284 | 1 | INSTRUCTION BOOK (Not shown) | |

Footnotes:

Note: * For information on Replacement Parts contact the engine manufacturer.

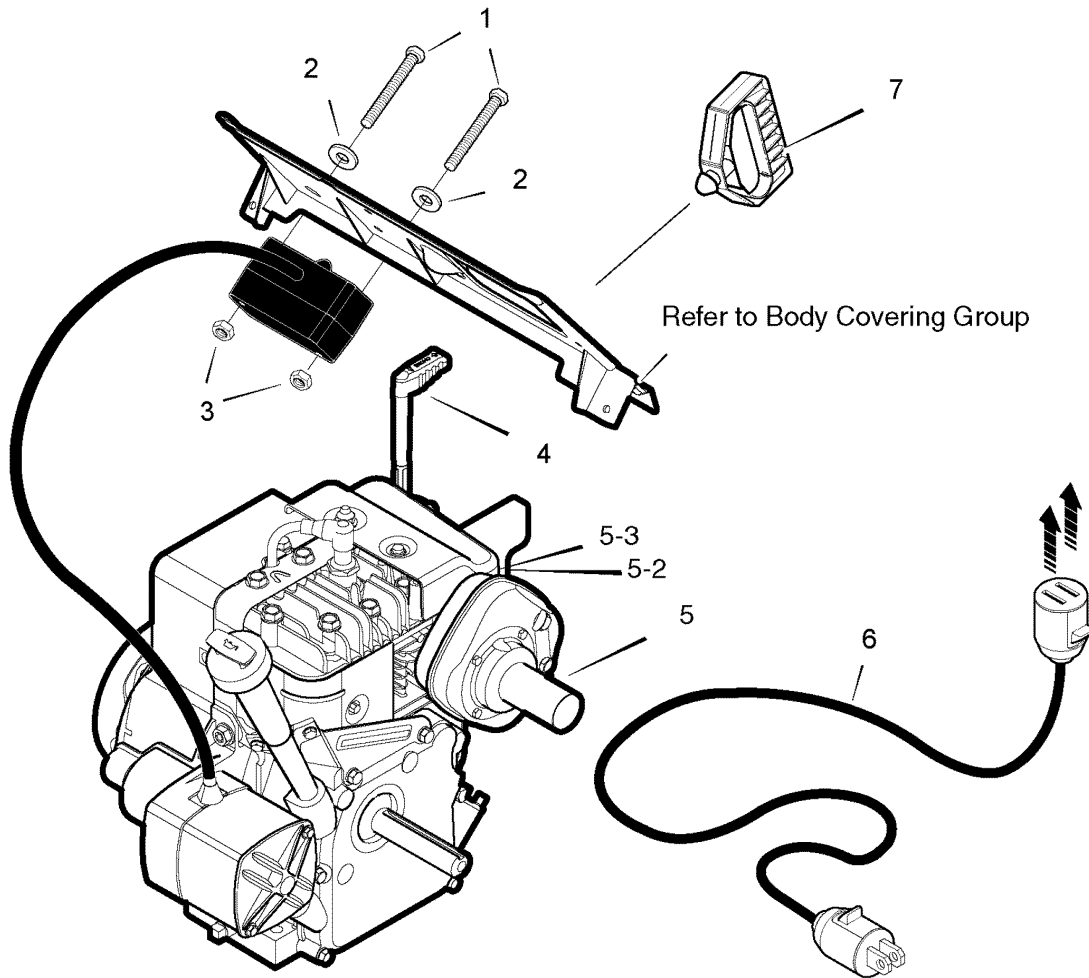


Wheel Assembly Group

| Item | Part No | Qty | Description | Note |
|------|---------|-----|-----------------------------------|------|
| 1 | 724559 | 2 | RETAINER, E-Ring | |
| 2 | 725332 | 2 | WASHER, Flat 13/32 x 13/16 | |
| 3 | 725603 | 2 | WHEEL & TIRE 7" x 1.50" | |
| 4 | 723192 | 2 | SPACER, Sleeve 13/32 x 5/8 | |
| 5 | 722328 | 1 | Rod, Axle | |
| 6 | 724750 | 2 | WASHER, Flat - 25/64 x 1.00 x 1/8 | |

Footnotes:

Electric Starter Group

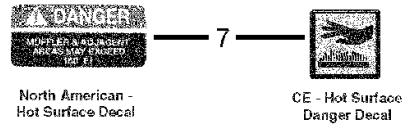
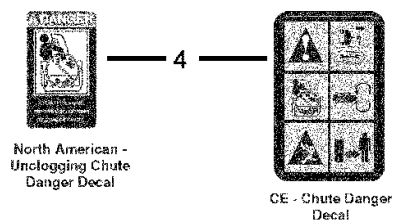
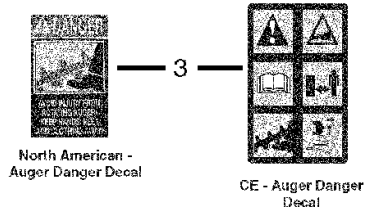
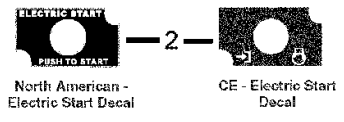
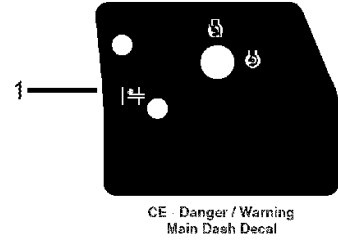
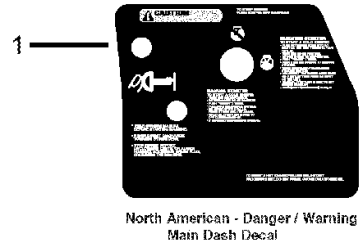
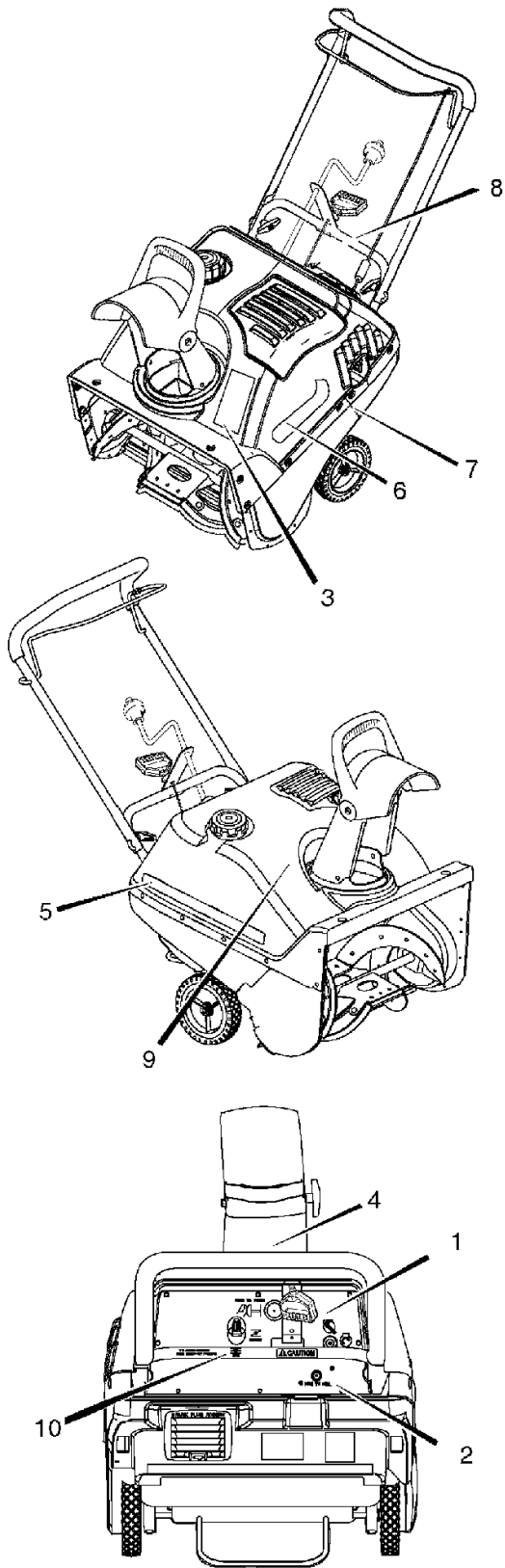


Electric Starter Group

| Item | Part No | Qty | Description | Note |
|------|---------|-----|-----------------------------|------|
| 1 | 723237 | 2 | SCREW, No. 8-32 x 3.00 | |
| 2 | 723979 | 2 | WASHER, FLAT No. 8 | |
| 3 | 722892 | 2 | NUT, Keps No. 8 | |
| 4 | 791534 | 1 | * LEVER, Choke | |
| 5 | 698855 | 1 | * KIT, Muffler Assembly | |
| 5-2 | 691880 | 1 | * GASKET, Muffler | |
| 5-3 | 727915 | 1 | * BOLT, Muffler | |
| 6 | 724865 | 1 | CORD, Electric 110V 10 Feet | |
| 6 | 728168 | 1 | CORD, Electric 220V 10 Feet | |
| 7 | 699334 | 1 | GRIP, Starter Rope | |

Footnotes:

Note: * For information on Replacement Parts contact the engine manufacturer.



Decals Group

| Item | Part No | Qty | Description | Note |
|------|---------|-----|--------------------------------------|---------------------------------|
| 1 | 1740428 | 1 | DECAL, Control Panel English 22" | <i>Used on Domestic Engines</i> |
| 1 | 1740400 | 1 | DECAL, Control Panel | <i>CE/Export</i> |
| 2 | 724265 | 1 | DECAL, Electric Start | <i>Used on Domestic Engines</i> |
| 2 | 729693 | 1 | DECAL, Electric Start | <i>CE/Export</i> |
| 3 | 725257 | 1 | DECAL, Danger Auger | <i>Used on Domestic Engines</i> |
| 3 | 729457 | 1 | DECAL, Danger Auger | <i>CE/Export</i> |
| 3 | 729460 | 1 | DECAL, Auger Engine | <i>CE/Export</i> |
| 4 | 724267 | 1 | DECAL, Danger Chute | <i>Used on Domestic Engines</i> |
| 4 | 729456 | 1 | DECAL, Danger Chute | <i>CE/Export</i> |
| 5 | 1741389 | 1 | DECAL, Snapper ST0522 R.H. | <i>Used on Domestic Engines</i> |
| 5 | 1741395 | 1 | DECAL, Snapper SS522EX Right Hand | <i>CE/Export</i> |
| 6 | 1740368 | 1 | DECAL, Snapper ST0522 L.H. | <i>Used on Domestic Engines</i> |
| 7 | 727742 | 1 | DECAL, Hot Muffler | <i>Used on Domestic Engines</i> |
| 7 | 729461 | 1 | DECAL, Hot Surface | <i>CE/Export</i> |
| 8 | 727378 | 1 | DECAL, Auger Control | <i>Used on Domestic Engines</i> |
| 9 | 729555 | 1 | DECAL, Briggs & Stratton | <i>(Located on Engine)</i> |
| 10 | 1740422 | 1 | DECAL, Choke | <i>Used on Domestic Engines</i> |
| | 1740187 | 1 | MANUAL, Instruction Book (Not shown) | |
| | 7006053 | 1 | MANUAL, Parts List (Not shown) | |

Footnotes:

Parts Manual for

SNAPPER®

522 SINGLE STAGE SNOW THROWER SERIES 0

IT IS THE POLICY OF BRIGGS & STRATTON CORP. TO IMPROVE ITS PRODUCTS WHENEVER IT IS POSSIBLE AND PRACTICAL TO DO SO. WE RESERVE THE RIGHT TO MAKE CHANGES OR ADD IMPROVEMENTS AT ANY TIME WITHOUT INCURRING ANY OBLIGATION TO MAKE SUCH CHANGES ON PRODUCTS MANUFACTURED

Briggs & Stratton Yard Power Products Group

535 Macon Road
McDonough, GA, 30253 U.S.A.
800-935-2967

www.snapper.com

Copyright © 2008 Briggs & Stratton Corporation
Milwaukee, WI USA. All Rights Reserved

Manual No. 7006053
Revision B, 4/28/2008
TP 400-5245-B-SX-N

Free Manuals Download Website

<http://myh66.com>

<http://usermanuals.us>

<http://www.somanuals.com>

<http://www.4manuals.cc>

<http://www.manual-lib.com>

<http://www.404manual.com>

<http://www.luxmanual.com>

<http://aubethermostatmanual.com>

Golf course search by state

<http://golfingnear.com>

Email search by domain

<http://emailbydomain.com>

Auto manuals search

<http://auto.somanuals.com>

TV manuals search

<http://tv.somanuals.com>