

Parts Manual for

SNAPPER®

520 Single Stage Snow Thrower Series 0 & 1



MODEL
SS5200E
SS5200R
SS5201E
SS5201R

SNAPPER® McDonough, GA, 30253 U.S.A.

Briggs & Stratton Yard Power Products Group
Copyright © 2006 Briggs & Stratton Corporation
Milwaukee, WI USA. All Rights Reserved

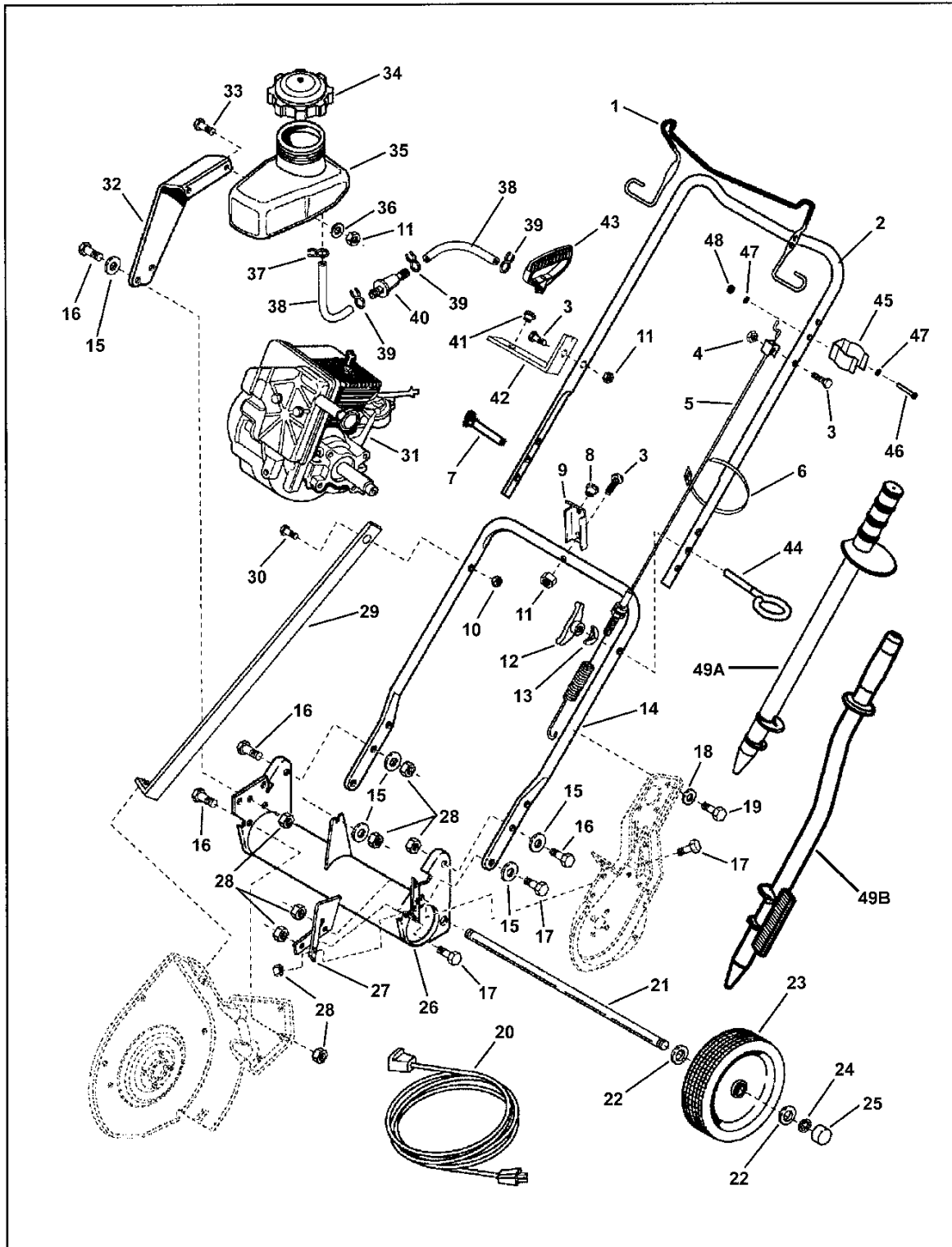
Revision 3, 11/20/2006

Manual No. 7006178

TP 400-5006-3-LE-N

PAGE	GROUP
4	Frame, Handle, & Engine Group
8	Auger Housing and Chute Group
12	Auger and Drive Group
16	Decal Group

Frame, Handle, & Engine Group



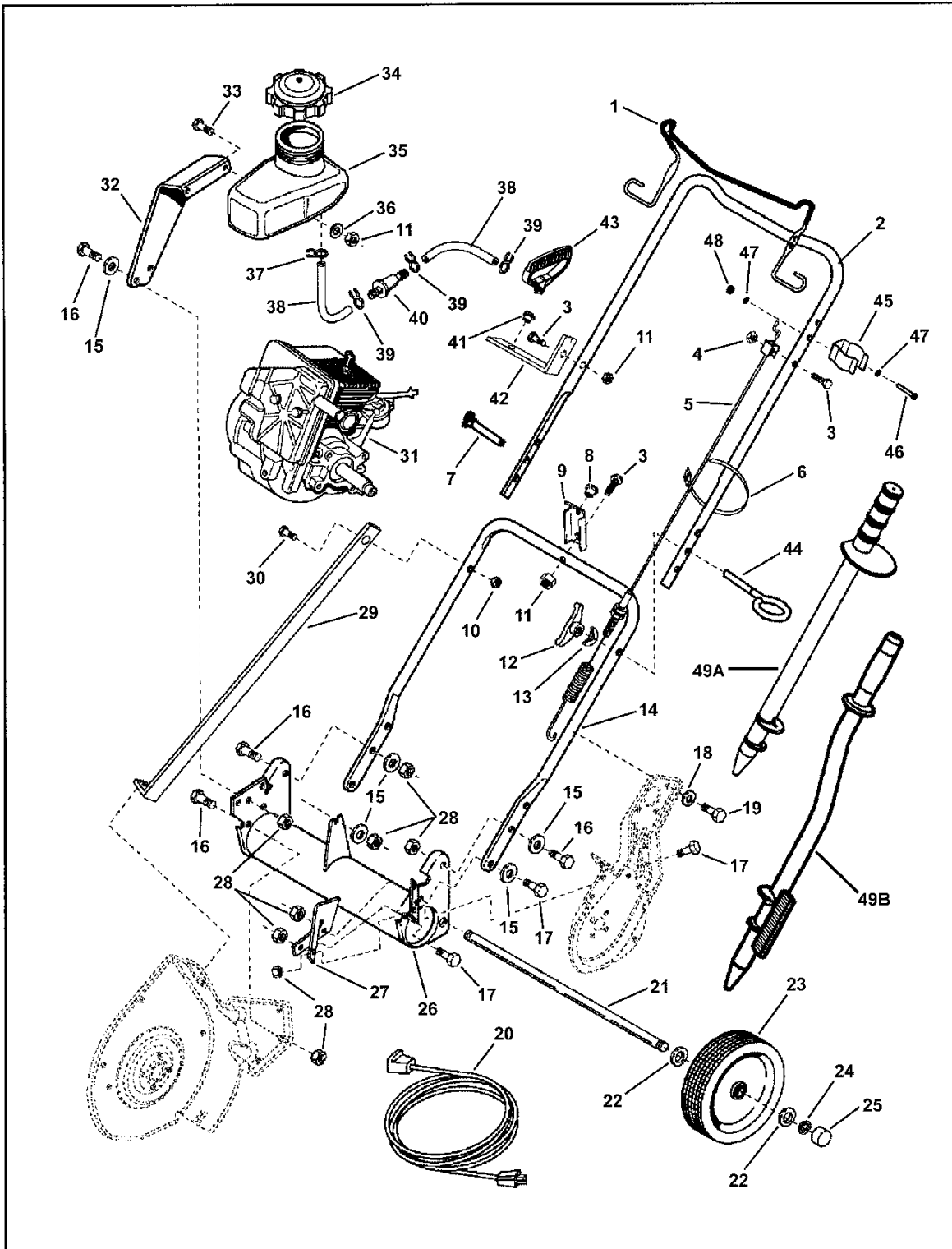
Frame, Handle, & Engine Group

Item	Part No	Qty	Description	Note
1	1720525	1	HANDLE, Auger Control	
2	1720641	1	HANDLE, Upper	
3	1921961	3	CAPSCREW, Hex Head, 1/4-20 x 1-1/4"	
4	1923358	1	NUT, Hex Centerlock, 1/4-20	
5	1720323	1	CABLE, Auger Control	
6	925094	1	TIE, Self Locking	
7	1931338	2	BOLT, 5/16-18 x 1-3/4" Round Head	
8	1716678	1	SNAP BUSHING, 3/8	
9	1720574	1	BRACKET, Chute Rotator Rod	
10	1933896	1	NUT, Hex Lock, #10-24	
11	1920397	4	NUT, Hex Lock Esna, 1/4-20	
12	7035744	2	KNOB, Wing (5/16-18 Black)	was 1716632
13	1717312	2	WASHER, Curved, 5/16"	
14	1720573	1	HANDLE, Lower	
15	1919326	6	WASHER, 5/16 I.D. x 3/4 O.D. Flat	
16	1921332	6	CAPSCREW, Hex Head, 5/16-18 x 3/4"	
17	1921333	2	CAPSCREW, Hex Head, 5/16-18 x 1"	ref. Snapper part no. 7027168
18	1917356	4	LOCKWASHER, 5/16"	
19	1921332	4	CAPSCREW, Hex Head, 5/16-18 x 3/4"	
20	7015368	1	CORD, Extension (Electric Start Models)	
21	1716608	1	SHAFT, Axle	
22	1924940	4	WASHER, .41 I.D. x .87 O.D.	
23	7100909	2	TIRE, Semi-pneumatic	replaces 1716607
24	1716622	2	RING, Retainer, Ext., #37	
25	7100088	2	CAP, Hub	replaces 1716664
26	1716613	1	WELDMENT, Frame Assy.	
27	1719541	1	BRACKET, Reinforcement	
28	1919438	9	NUT, Hex Lock, Esna, 5/16-18	
29	1720322	1	STRAP, Support	
30	960604	1	SCREW, Hex Washer Head, #10-24 x 1-1/4"	
31		1	* ENGINE, Manual Start Mod HSK850-8319D	
31		1	* ENGINE, Electric Start Mod HSK850-8325D	
32	1716638	1	BRACKET, Fuel Tank	
33	1923341	2	CAPSCREW, Hex Head, 1/4-20 x 3/4"	
34	1716646	1	CAP, Fuel Tank	
35	1716634	1	TANK, Fuel	
36	1921319	2	WASHER, .27 I.D. x .62 O.D.	

Footnotes:

NOTE: * See your local Tecumseh distributor for service parts.

Frame, Handle, & Engine Group



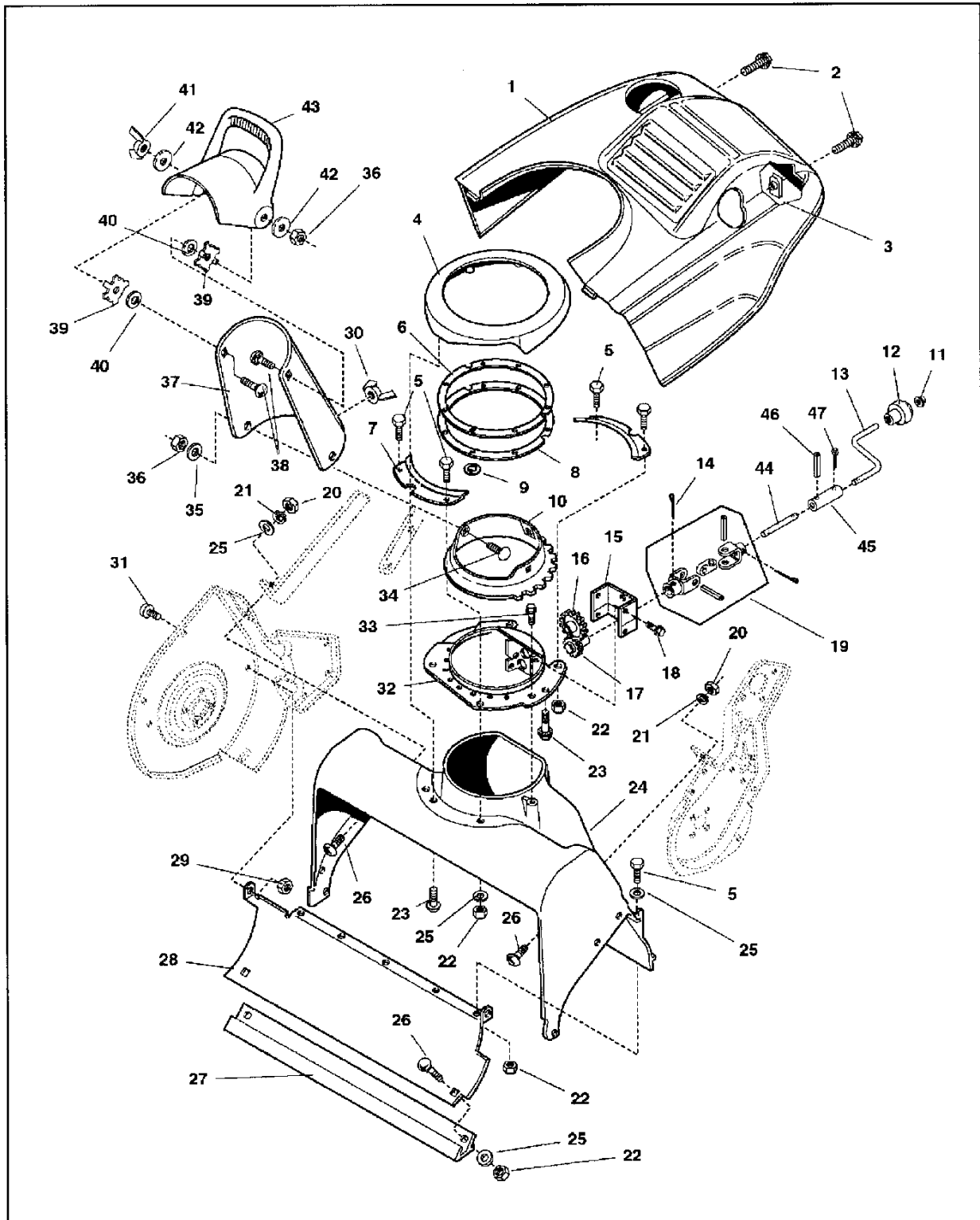
Frame, Handle, & Engine Group

Item	Part No	Qty	Description	Note
37	1723104	1	HOSE CLAMP (worm type)	<i>or 1679061 (Hose Clamp, Wire)</i>
38	1716681	1	HOSE, Fuel, 5-1/2" long	
38	7076272	1	HOSE, Fuel, 8-1/2" long	
39	1960112	3	HOSE CLAMP, Wire Form	
40	173206	1	FILTER, Fuel	
41	1716676	1	SNAP BUSHING, 1/4"	
42	1720640	1	BRACKET, Starter Handle	
43	7041954	1	HANDLE, Start (Mitten)	
44	7075342	1	HOLDER, Snostik- Lower (5/16-18 thread)	
45	7071895	1	HOLDER, Snostik- Upper	
46	7091757	1	SCREW, #10-24 x 1-1/4" Hex Head Cap	
47	7090011	2	WASHER, #10 Internal Tooth Lock	
48	7091267	1	NUT, #10-24 Hex Center Lock	
49A	7075909	1	SNOW STICK	
49B	1733209	1	SNOW STICK w/Brush	<i>replaces 7075909</i>

Footnotes:

NOTE: * See your local Tecumseh distributor for service parts.

Auger Housing and Chute Group

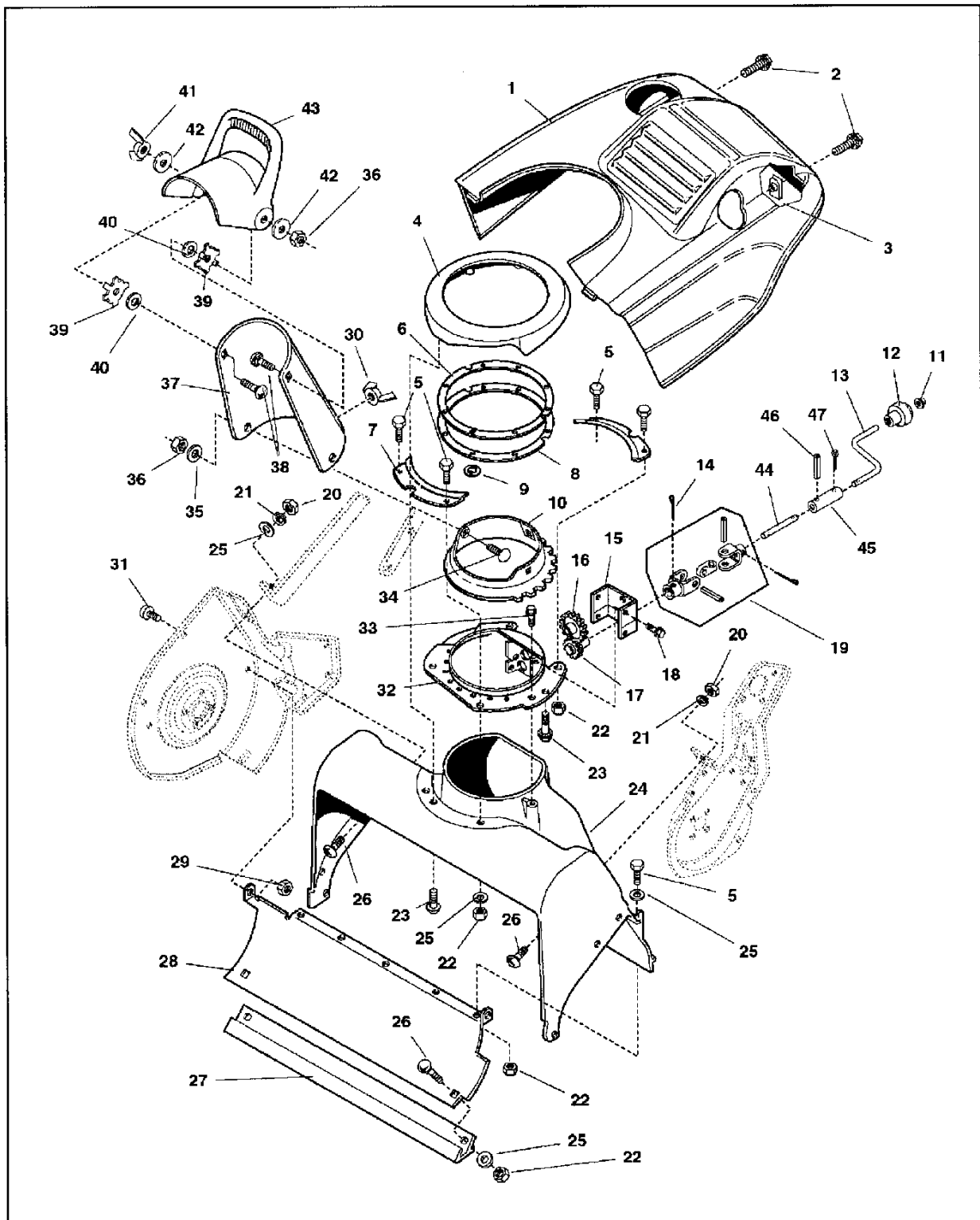


Auger Housing and Chute Group

Item	Part No	Qty	Description	Note
1	7075689	1	HOUSING, Upper Plastic w/Louvers 520 Snow	<i>Snapper Red Part</i>
2	1928732	2	SCREW, Hex Head, Taptite #10-24 x 1"	
3	1960593	2	NUT, Retainer, Speed #10-24 w/Extrusion	
4	1716628	1	COLLAR	
5	1923341	9	CAPSCREW, Hex Head, 1/4-20 x 3/4" GR 5	
6	1716640	1	GASKET	
7	1716625	2	RETAINER	
8	1716641	1	RETAINER, Gasket	
9	1960521	8	NUT, Push	<i>for .156 dia. Stud</i>
10	1716611	1	BASE, Chute	
11	1960093	1	NUT, Push, Pal, 3/8"	
12	1714084	1	KNOB, Chute, Rotate	
13	1720578	1	HANDLE, Chute Rotator Upper	
14	918454	2	PIN, Cotter, 1/8 x 1-1/2"	
15	1716630	1	BRACKET, Gear	
16	1716636	1	GEAR, Idler	
17	1716635	1	GEAR, Drive	
18	1927429	4	SCREW, Hex Head Taptite, 1/4-20 x 5/8"	
19	1716658	1	ASSEMBLY, Universal Joint	
20	1916622	2	NUT, Hex, 1/4-20	
21	1916964	2	LOCKWASHER, Spring, 1/4"	
22	1920397	11	NUT, Hex Lock Esna 1/4-20	
23	1960001	3	SCREW, Hex Washer Slotted Head Plastite #10-14 x 5/8"	
24	1716609	1	HOUSING, Auger	
25	1921319	9	WASHER, 1/4"	
26	1931318	4	CARRIAGE BOLT, 1/4-20 x 7/8", GR 5	
27	1716606	1	SCRAPER BAR	
28	1716596	1	SCOOP	
29	1933896	1	NUT, Hex Lock, #10-24	
30	1933126	2	NUT, Wing 5/16-18 Lock	
31	1960570	1	SCREW, Truss Head Torx, #10-24 x 5/8" GR 5	
32	1716610	1	PLATE, Chute Base	
33	1960001	2	SCREW, Hex Washer Slotted Head Plastite #10-14 x 5/8"	
34	1960282	3	CARRIAGE BOLT, 5/16-18 x 3/4"	
35	1919326	3	WASHER, 5/16	
36	1919438	4	NUT, Hex Lock ESNA Light 5/16-18	

Footnotes:

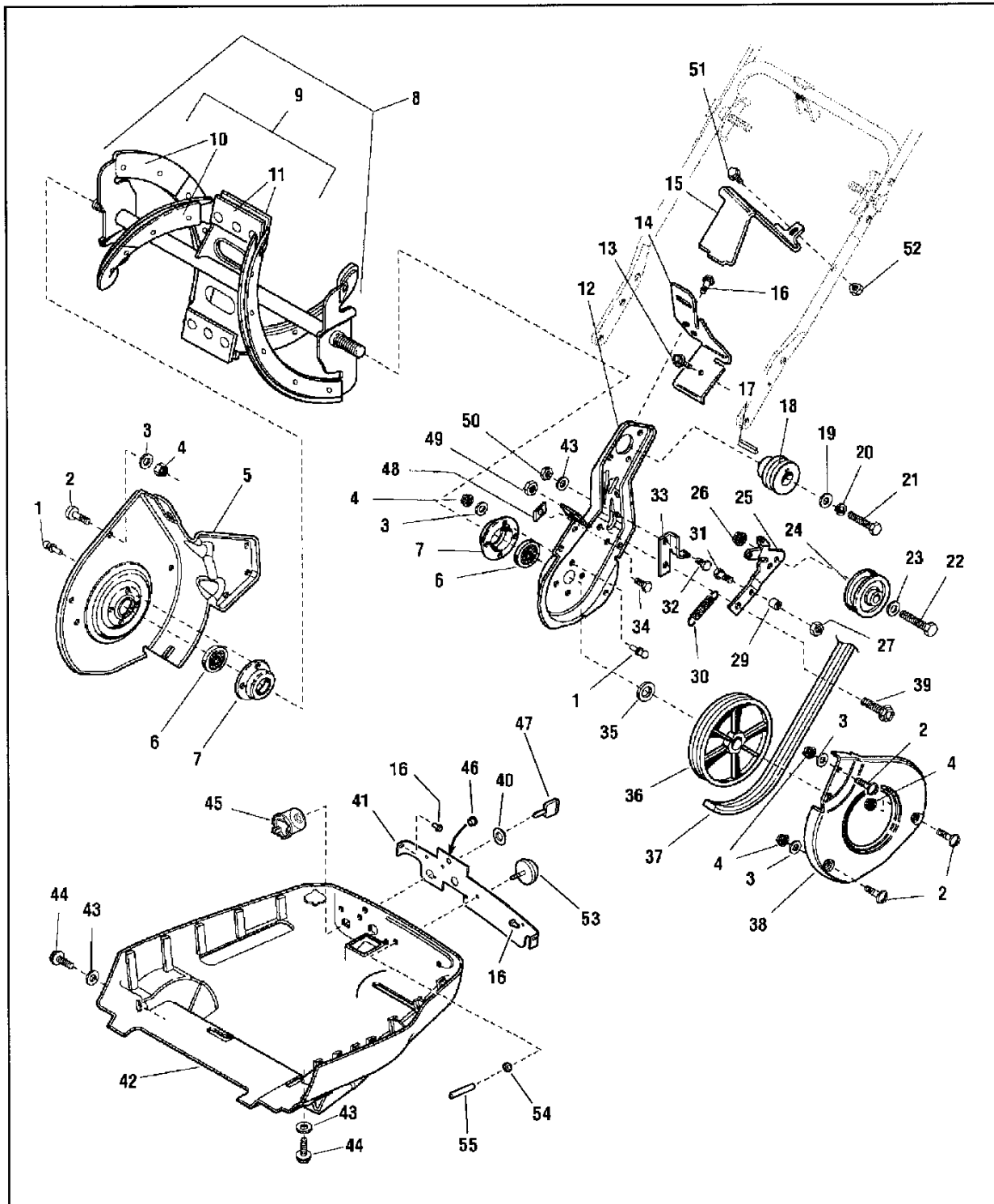
Auger Housing and Chute Group



Auger Housing and Chute Group

Item	Part No	Qty	Description	Note
37	1716612	1	CHUTE	
38	1931335	2	CARRIAGE BOLT, 5/16-18 x 1", GR 5	
39	1716642	2	WASHER, Octagon	
40	1716624	2	WASHER, Rubber	
41	7035744	1	KNOB, Wing (5/16-18 Black)	was 1716632
42	1920283	2	WASHER, 1-1/2 O.D.	
43	1716631	1	DEFLECTOR, Chute	
44	1720576	1	HANDLE, Chute Rotator Lower, E-Coat	
45	1720577	1	TUBE, Chute Handles 1/2 OD 7.00 Long E-Coat	
46	1926228	1	PIN, Spring 5/32 x 1" SAE 1095	
47	1960074	1	CLIP, Hair Pin .093 Dia. Spring Wire 1.625 long	

Footnotes:

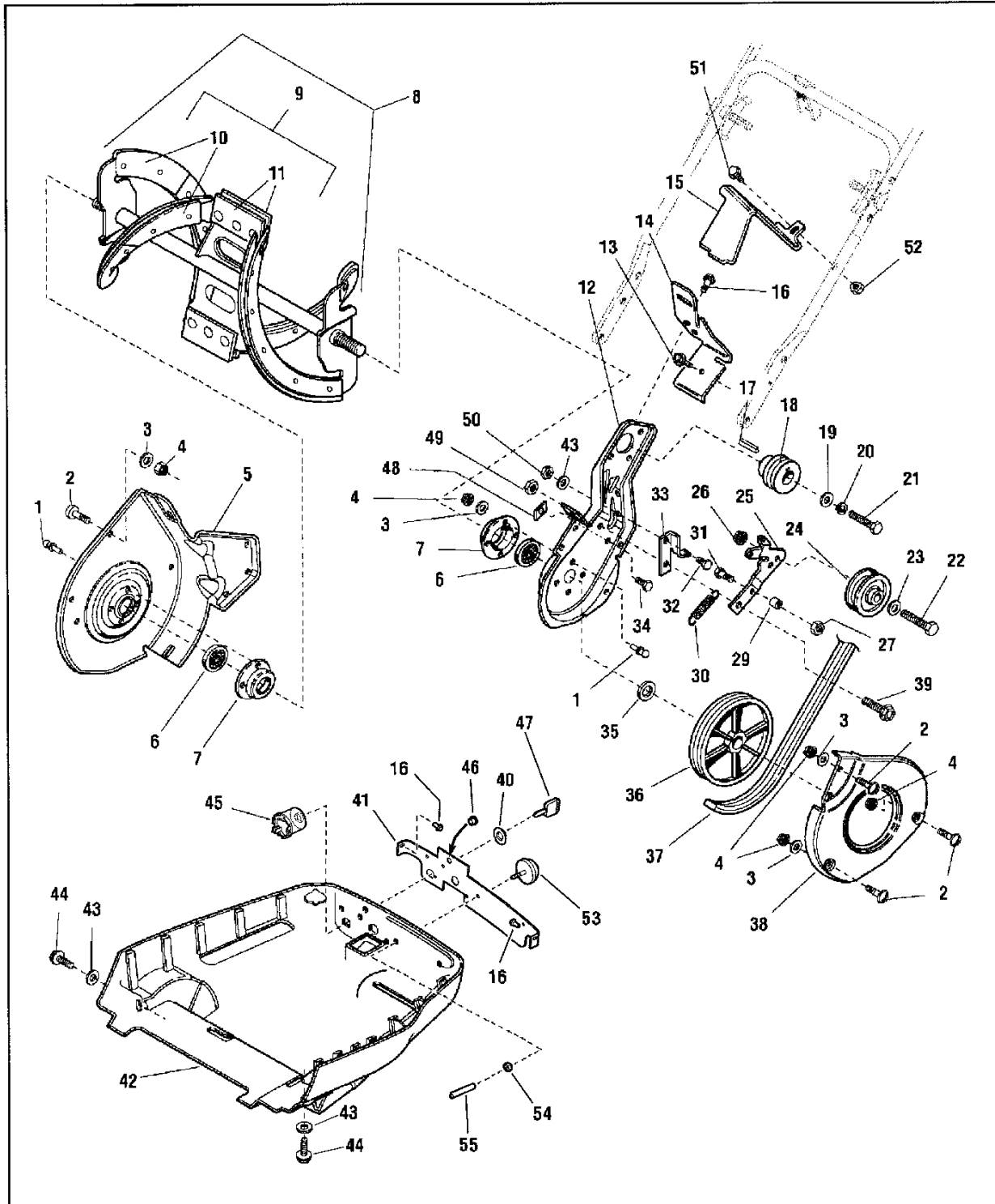


Auger and Drive Group

Item	Part No	Qty	Description	Note
1	1960241	8	RIVET, Pop, 1/4 x 1/2"	
2	1960570	8	SCREW, Truss Head Torx, #10-24 x 5/8" GR 5	
3	1910531	8	WASHER, Rivet	
4	1933896	8	NUT, Hex Lock, #10-24	
5	1716595	1	FRAME, Right Side	
6	1665521	2	BALL BEARING, Auger	
7	1716649	2	RETAINER, Bearing	
8	1718151	1	WELDMENT, Auger	
9	1686705	1	KIT, Flighting Replacement	<i>(includes Ref. Nos. 10 & 11, plus fasteners and instructions)</i>
10	1718207	8	FLIGHTING, Rubber	
11	1716661	4	CENTER FLIGHT, Rubber	
12	1716590	1	FRAME, Left Side	
13	1960001	1	SCREW, Hex Washer Slotted Head Plastite #10-14 x 5/8"	
14	1716619	1	SHIELD, Belt	
15	1716663	1	AIR DEFLECTOR	
16	1929477	1	SCREW, Hex Head, #10-24 x 1-1/4"	
17	905850	1	KEY, Parallel .187 x .187 x 1"	
18	1716616	1	PULLEY, Drive	
19	1960141	1	WASHER	
20	1917356	1	LOCKWASHER, 5/16" Spring	
21	1921982	1	CAPSCREW, Hex Head, 5/16-24 x 1-1/4", GR 5	
22	1921969	1	CAPSCREW, Hex Head, 3/8-16 x 1-1/2", GR 5	
23	1924940	1	WASHER, 3/8"	
24	1716615	1	PULLEY, Idler	<i>ref. Snapper part no. 7010948</i>
25	1716618	1	IDLER ARM	
26	1931211	1	NUT, Flange Whiz Lock, 3/8-16	
27	1923358	1	NUT, Hex Centerlock 1/4-20	
29	1716656	1	ROLLER, Belt Stop	
30	1716653	1	SPRING, Idler Return	
31	1921960	1	CAPSCREW, Hex Head, 1/4-20 x 1" GR 5	
32	1924009	1	CAPSCREW, Hex Head, 1/4-20 x 7/8" GR 5	
33	1716617	1	BRACKET, Belt	
34	1927429	1	SCAPCREW, Hex Washer Head Taptite, 1/4-20 x 5/8"	
35	1716655	1	SPACER, Pulley	
36	1716614	1	PULLEY, Driven	
37	1716645	1	BELT, Drive	<i>Poly Rib J; 37.525" effective length</i>
38	1716589	1	BELT GUARD	

Footnotes:

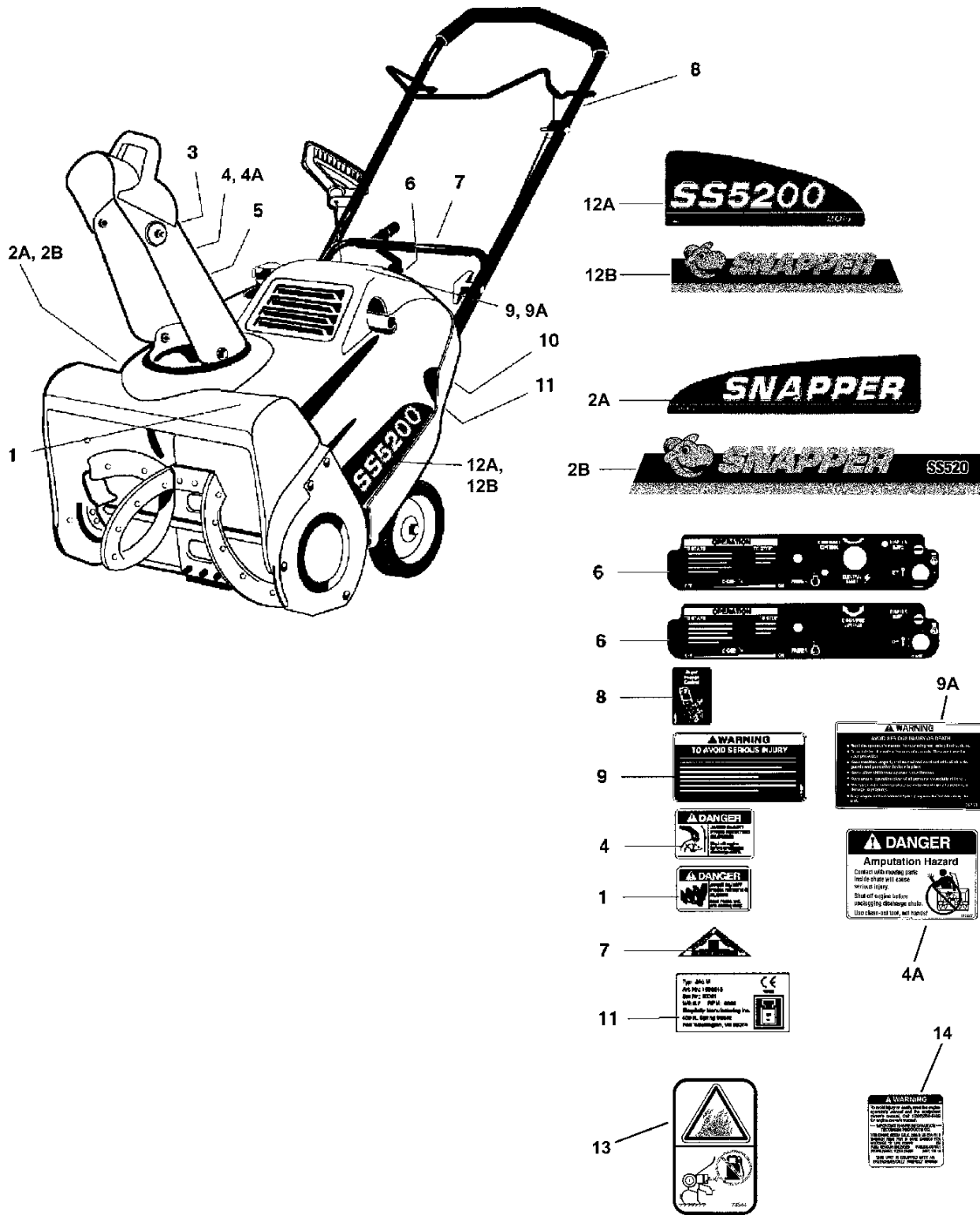
Auger and Drive Group



Auger and Drive Group

Item	Part No	Qty	Description	Note
39	1716654	1	IDLER PIVOT BOLT	
40	1714055	1	FLANGE NUT, Ignition Switch, 5/8-32	
41	1716637	1	CONTROL PANEL	
42	1716627	1	HOUSING, Lower	
43	1921319	3	WASHER, 1/4	
44	1960568	2	SCREW, Hex Head, Taptite, 1/4-20 x 7/8"	
45	1718337	1	SWITCH, Ignition	
46	1716676	1	SNAP BUSHING, 1/4"	
47	1714054	1	KEY, Ignition	
48	1960595	1	SPEED NUT, 1/4-20	
49	1919438	1	NUT, Hex Lock ESNA Light 5/16-18	
50	1920397	1	NUT, Hex Lock Esna 1/4-20	
51	960604	4	SCREW, Hex Head, Taptite, #10-20 x 1/2"	
52	1933896	1	NUT, Hex Lock, #10-24	
53	7014638	1	PRIMER, Tecumseh 1/4-20	
54	7091100	1	NUT, 1/4-20 Hex, GR 5 or B	
55	1716675	1	LINE, Primer	

Footnotes:



Decal Group

Item	Part No	Qty	Description	Note
1	1716532	1	DECAL, Danger, Auger	
2A	7075691	1	DECAL, 5200 Logo, Right Hand (Snapper)	
2B	7100786	1	DECAL, Top Cover RH (Snapper)	<i>replaces 7075691 on SS5201R & SS5201E</i>
3	1717960	1	DECAL, Power-Mass (export models only)	<i>not shown</i>
4	1716533	1	DECAL, Danger, Discharge Chute	
4A	1733057	1	DECAL, Danger, Chute/Deflector	<i>replaces 7071880 on SS5201R & SS5201E</i>
5	1709933	1	DECAL, C.E. (export models only)	<i>not shown</i>
6	1716669	1	DECAL, Console (electric start models)	
6	1716670	1	DECAL, Console (manual start models)	
7		1	DECAL, OPEI	<i>Not a Service Part.</i>
8	1716672	1	DECAL, Auger Control	
9	1716671	1	DECAL, Warning	
9A	7026733	1	DECAL, Warning, Safety Instructions	<i>replaces 7073461</i>
10		1	DECAL, Compliance	<i>Not a Service Part.</i>
11		1	DECAL, Serial Number	<i>Not a Service Part</i>
12A	7075692	1	DECAL, 5200 Logo, Left Hand (Snapper)	
12B	7100787	1	DECAL, Top Cover LH (Snapper)	
13	7073844	1	DECAL, Fuel Safety	<i>Snapper Decal</i>
14	7100699	1	DECAL, Tec. 5HP Carb/EPA Certified	<i>or 7045000</i>

Footnotes:

Parts Manual for

SNAPPER®

520 Single Stage Snow Thrower Series 0 & 1

IT IS THE POLICY OF BRIGGS & STRATTON CORP. TO IMPROVE ITS PRODUCTS WHENEVER IT IS POSSIBLE AND PRACTICAL TO DO SO. WE RESERVE THE RIGHT TO MAKE CHANGES OR ADD IMPROVEMENTS AT ANY TIME WITHOUT INCURRING ANY OBLIGATION TO MAKE SUCH CHANGES ON PRODUCTS MANUFACTURED

SNAPPER® McDonough, GA, 30253 U.S.A.

Free Manuals Download Website

<http://myh66.com>

<http://usermanuals.us>

<http://www.somanuals.com>

<http://www.4manuals.cc>

<http://www.manual-lib.com>

<http://www.404manual.com>

<http://www.luxmanual.com>

<http://aubethermostatmanual.com>

Golf course search by state

<http://golfingnear.com>

Email search by domain

<http://emailbydomain.com>

Auto manuals search

<http://auto.somanuals.com>

TV manuals search

<http://tv.somanuals.com>