

Attachment Illustrated Parts List



Attachment

Mfg. No.	Description
1694404	47" Two Stage Snow Thrower

Simplicity

MANUFACTURING, INC.
500 N. Spring Street / PO Box 997
Port Washington, WI 53074-0997 USA

www.simplicitymfg.com

© Copyright 2003 Simplicity Manufacturing, Inc. All Rights Reserved. Printed In USA.

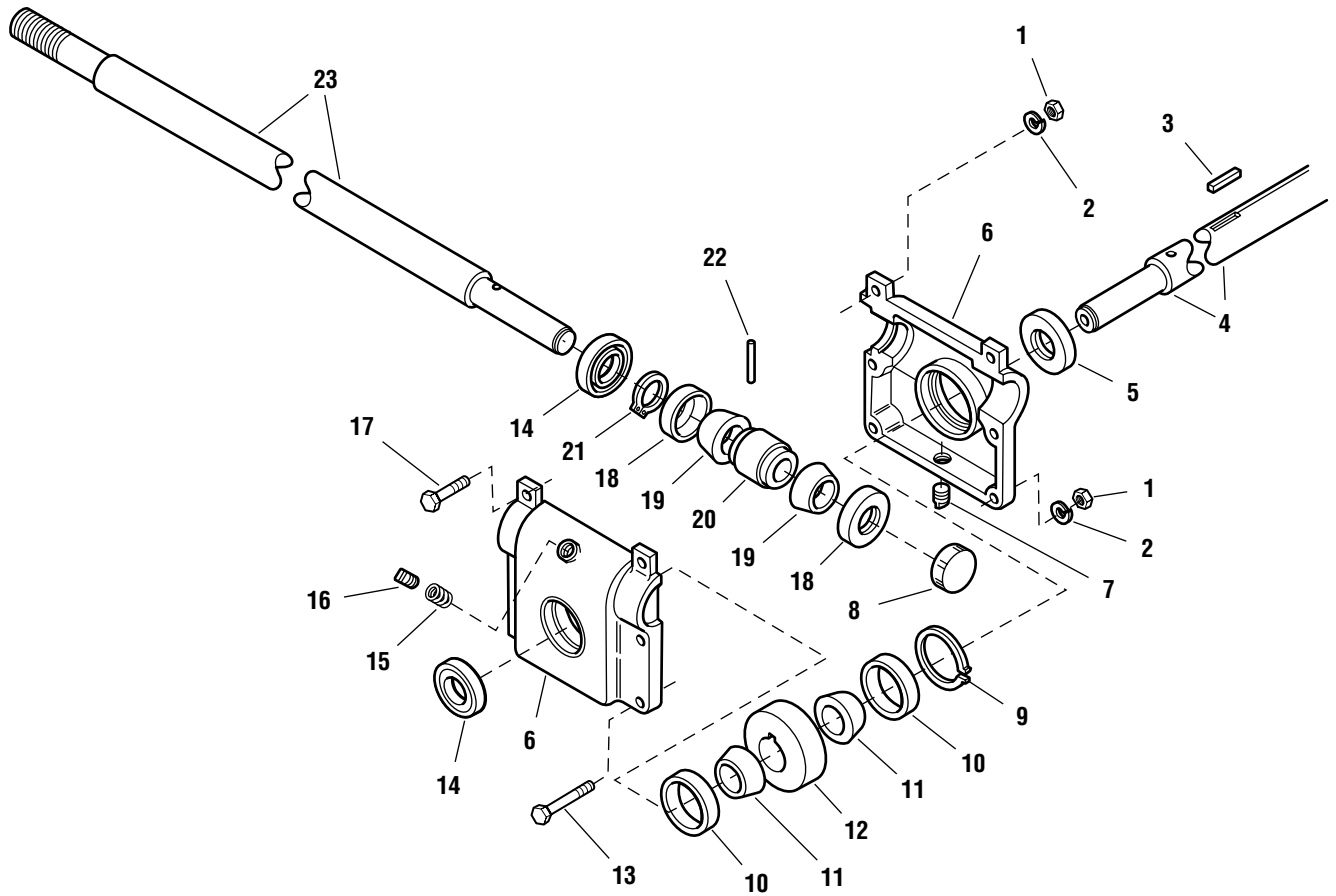
Rev. 11/2003

TP 400-3880-00-AT-SMAN

Auger Gearbox & Shaft

NOTE: Unless noted otherwise,
use the standard hardware torque
specification chart.

G985784



The above parts group applies to the following Mfg. Nos.:

1694404 - 47" Two Stage

Auger Gearbox & Shaft

REF NO.	PART NO.	QTY.	DESCRIPTION
1	1917372	8	NUT, Hex, 5/16-18
2	1917356	8	LOCKWASHER, 5/16
3	1725611	1	KEY, 1/4 x 1/4 x 51/64
4	1709669	1	SHAFT, Output
5	1709673	1	SEAL, Oil, 1.0 ID x 2.0 OD
6	1709663	1	CASE, Gearbox (2-halves)
7	1709635	1	VENT, Relief
8	1709668	1	PLUG
9	1709672	1	RING, Retaining
10	1709676	2	RACE, Bearing
11	1709670	2	BEARING, Roller
12	1709671	1	GEAR, Worm
13	1921719	4	CAPSCREW, Hex Head, 5/16-18 x 2-1/2
14	1709665	2	SEAL, Oil
15	1668971	1	FITTING, Reducer, 1/4 Male x 1/8 Female
16	1720487	1	PLUG
17	1921977	2	CAPSCREW, Hex Head, 5/16-18 x 1-1/4
18	1709675	2	RACE, Bearing
19	1709666	2	BEARING, Roller
20	1709667	1	WORM
21	1709674	1	RING, Retaining
22	1720368	1	PIN, Dowel, 1/4 x 1-1/8
23	1721781	1	SHAFT, Input

Footnotes

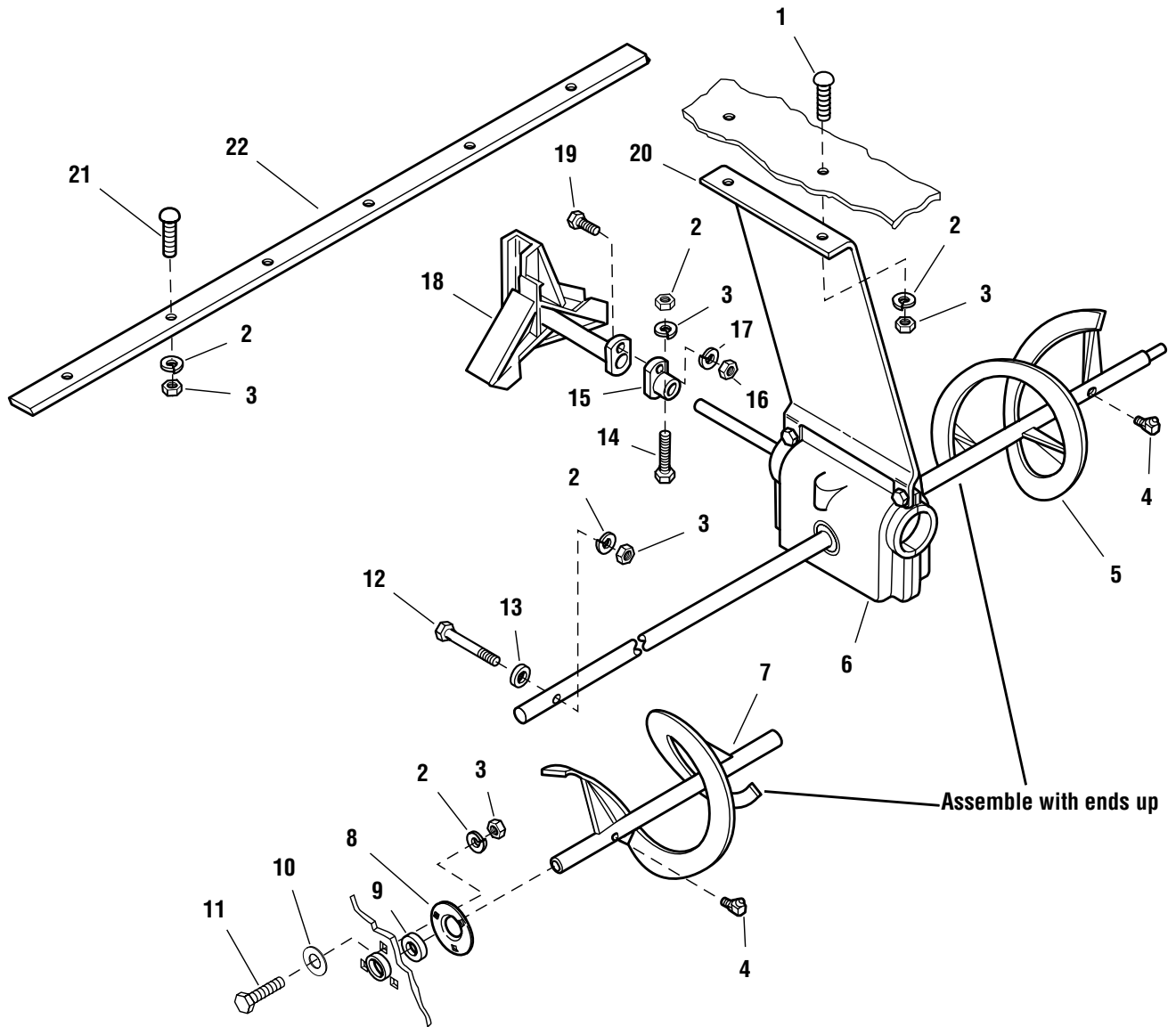
The above parts group applies to the following Mfg. Nos.:

1694404 - 47" Two Stage

Auger Group

985784

NOTE: Unless noted otherwise,
use the standard hardware torque
specification chart.



The above parts group applies to the following Mfg. Nos.:

1694404 - 47" Two Stage

Auger Group

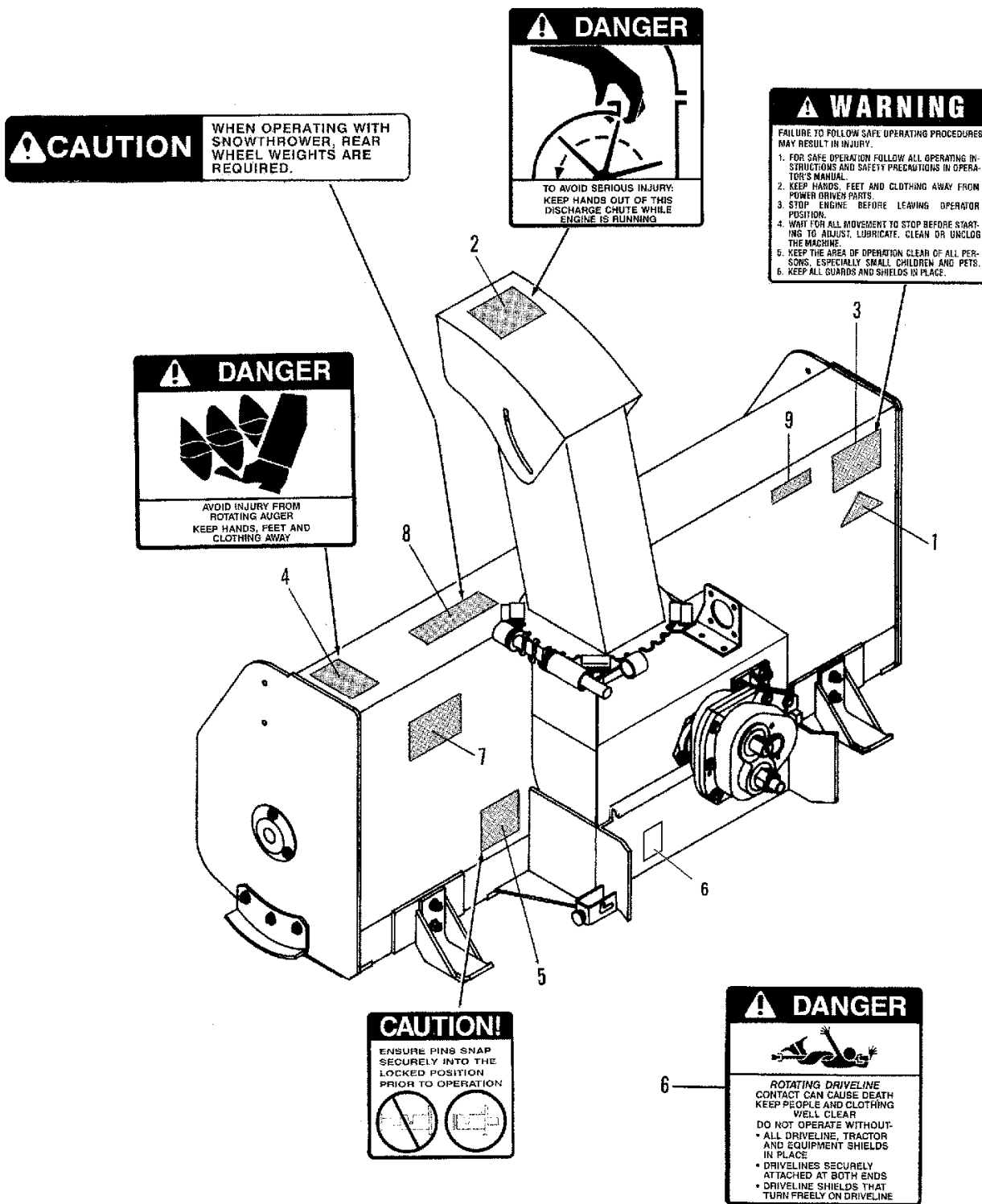
REF NO.	PART NO.	QTY.	DESCRIPTION
1	1960282	2	CARRIAGE BOLT, 5/16-18 x 3/4
2	1917356	17	LOCKWASHER, 5/16
3	1917372	17	NUT, Hex, 5/16-18
4	921133	2	FITTING, Lube
5	1709679	1	AUGER ASSEMBLY, RH (As viewed from the front)
6	1721780	1	GEAR BOX & SHAFT ASSEMBLY (see Auger Gearbox & Shaft in this Document)
7	1709678	1	AUGER ASSEMBLY, LH (As viewed from the front)
8	172279	2	FLANGE, Bearing
9	173934	2	BEARING CARTRIDGE
10	1919326	6	WASHER, 5/16
11	1960282	6	GARRIAGE BOLT, 5/16-18 x 3/4
12	1921719	2	CAPSCREW, Hex Head, 5/16-18 x 2-1/2
13	1918265	2	WASHER, 5/16
14	1922127	1	CAPSCREW, Hex Head, 5/16-18 x 1-3/4
15	1721757	1	PLATE & TUBE ASSEMBLY
16	1916622	1	NUT, Hex, 1/4-20
17	1916964	1	LOCKWASHER, 1/4
18	1709681	1	IMPELLER ASSEMBLY W/BUSHINGS
19	1921960	1	CAPSCREW, Hex Head, 1/4-20 x 1
20	1709683	1	SUPPORT, Auger
21	1931335	6	CARRIAGE BOLT, 5/16-18 x 1
22	1720248	1	SCRAPER, Cutting Edge, 45-3/4"

Footnotes

The above parts group applies to the following Mfg. Nos.:

1694404 - 47" Two Stage

NOTE: Unless noted otherwise, use the standard hardware torque specification chart.



The above parts group applies to the following Mfg. Nos.:
1694404 - 47" Two Stage

Decals Group

REF NO.	PART NO.	QTY.	DESCRIPTION
1	*	1	DECAL, OPEI (Not Serviced)
2	1722674	1	DECAL, Danger, Blower
3	1716531	1	DECAL, Caution
4	1716532	1	DECAL, Danger, Auger
5	1709688	2	DECAL, Danger, Shot-Pins
6	1709689	1	DECAL, Danger, Rotating Driveline
7	1722093	1	DECAL, Important, Shear Bolt
8	1716540	1	DECAL, Caution, Rear Wheel Weights
9	*	1	DECAL, I. D. Plate (Not Serviced)

Footnotes

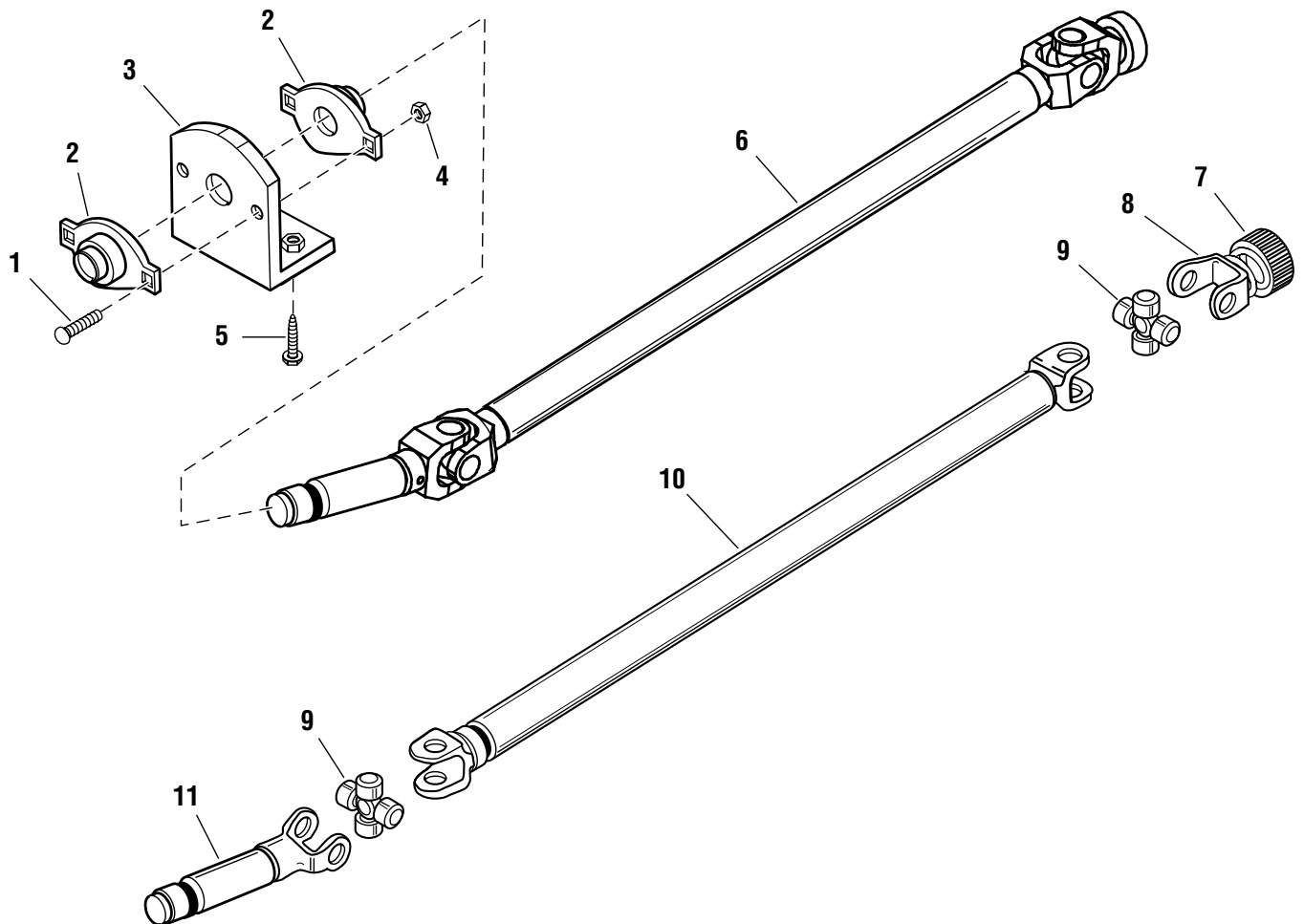
The above parts group applies to the following Mfg. Nos.:

1694404 - 47" Two Stage

Front PTO Group

986353

NOTE: Unless noted otherwise,
use the standard hardware torque
specification chart.



The above parts group applies to the following Mfg. Nos.:

1694404 - 47" Two Stage

Front PTO Group

REF NO.	PART NO.	QTY.	DESCRIPTION
1	1931335	2	CARRIAGE BOLT, 5/16-18 x 1
2	1715419	2	BALL BEARING W/FLANGE
3	1725257	1	PLATE & NUT ASSEMBLY
4	1919438	2	NUT, Hex, Lock ESNA Light, 5/16-18
5	1933260	2	CAPSCREW, Hex Head, Whiz Lock, 3/8-16 x 3/4
6	1725023	1	DRIVE SHAFT ASSEMBLY
7	1685480	1	SPRING LOCK REPAIR KIT
8	1709350	1	YOKE ASSEMBLY, Spring Lock
9	1679003	2	CROSS & BEARING KIT
10	1725451	1	DRIVE SHAFT CENTER
11	1725452	1	YOKE & SPINDLE ASSEMBLY

Footnotes

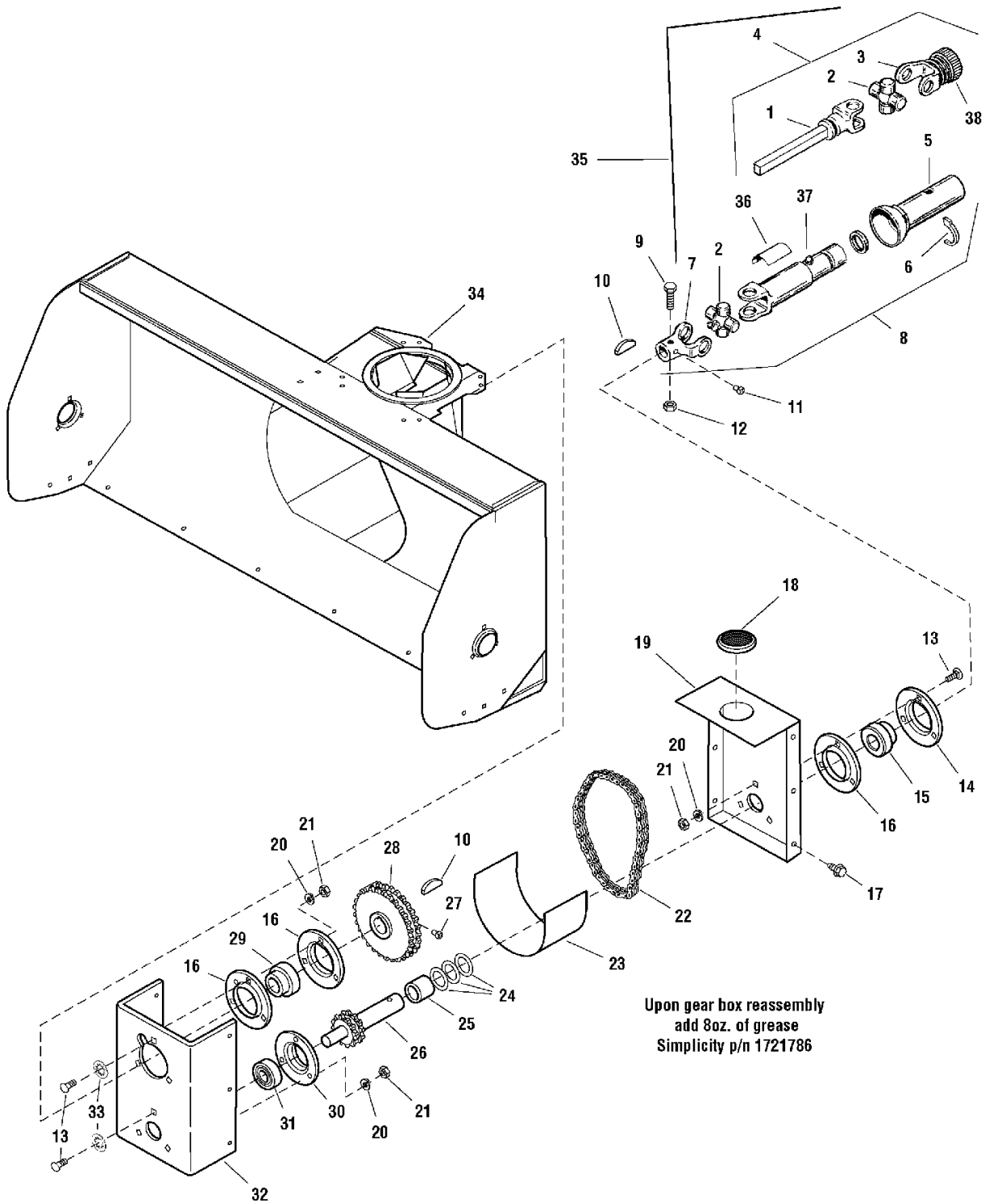
The above parts group applies to the following Mfg. Nos.:

1694404 - 47" Two Stage

Housing & Chain Case Group

986388

NOTE: Unless noted otherwise,
use the standard hardware torque
specification chart.



Upon gear box reassembly
add 8oz. of grease
Simplicity p/n 1721786

The above parts group applies to the following Mfg. Nos.:

1694404 - 47" Two Stage

Housing & Chain Case Group

REF NO.	PART NO.	QTY.	DESCRIPTION
1	1718837	1	YOKE & SHAFT ASSEMBLY
2	1679003	1	CROSS & BEARING KIT
3	1709350	1	YOKE ASSEMBLY, Spring Lock
4	1718838	1	JOINT & SHAFT ASSEMBLY (Includes Ref. Nos. 1, 2, 3, & 38)
5	1709355	1	DRIVE SHAFT INNER GUARD
6	1709352	1	DRIVE SHAFT NYLON REPAIR KIT
7	1716877	1	YOKE
8	1709348	1	DRIVE SHAFT JOINT&TUBE ASSEMBLY
9	1960506	1	CAPSCREW, Hex Head, 1/4-20 x 1-7/8
10	922138	2	KEY
11	1930540	1	SCREW, Set, Square Head, 5/16-18 x 5/8
12	1923358	1	NUT, Hex Center Lock, 1/4-20
13	1931334	9	CARRIAGE BOLT, 5/16-18 x 7/8
14	172279	1	FLANGE W/ GREASE FITTING
15	173934	1	BEARING CARTRIDGE
16	172278	3	FLANGE
17	1664847	6	SCREW, Hex Head Taptite, 5/16-18 x 3/4
18	1674020	1	PLUG
19	1725461	1	COVER
20	1917356	9	LOCKWASHER, 5/16
21	1917372	9	NUT, Hex, 5/16-18
22	1721766	1	CHAIN, Roller, #40 x 20
23	1725462	1	COVER
24	960208	3	WASHER
25	1721769	1	SPACER
26	1721767	1	SHAFT & SPROCKETS ASSEMBLY
27	1930544	2	SCREW, Set, Hex, Cup Point, 5/16 x 3/8
28	1721763	1	SPROCKETS & HUB ASSEMBLY
29	1709624	1	BEARING
30	1665696	1	FLANGE, Bearing
31	108202	1	BEARING
32	1725460	1	BACKPLATE
33	1933988	6	PUSH NUT, 5/16
34	1725459	1	HOUSING ASSEMBLY
35	1717484	1	SHAFT ASSEMBLY (Includes Ref. Nos. 1-3, 5-7)
36	*	1	DECAL, Warning, Rotating Drive Shaft
37	1709357	1	YOKE, TUBE & SLIP SLEEVE
38	1718475	1	SPRING LOCK KIT

Footnotes

* Not a Service Part.

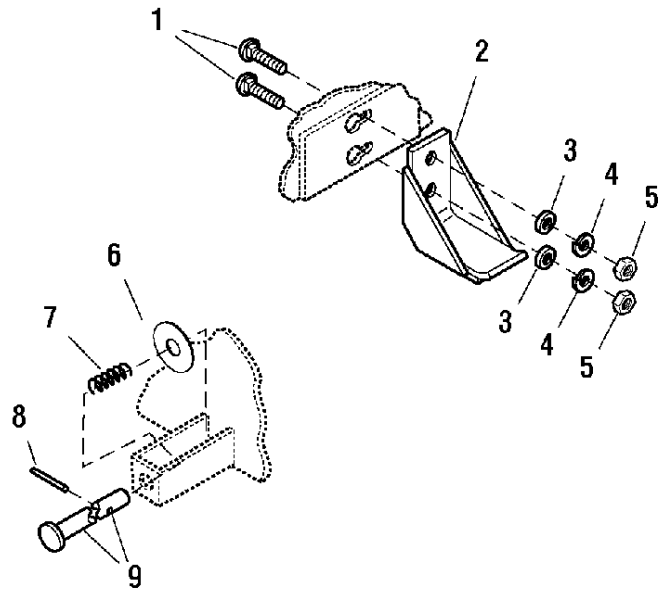
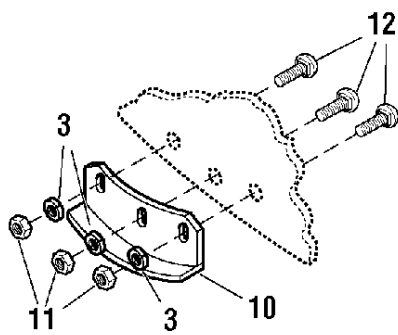
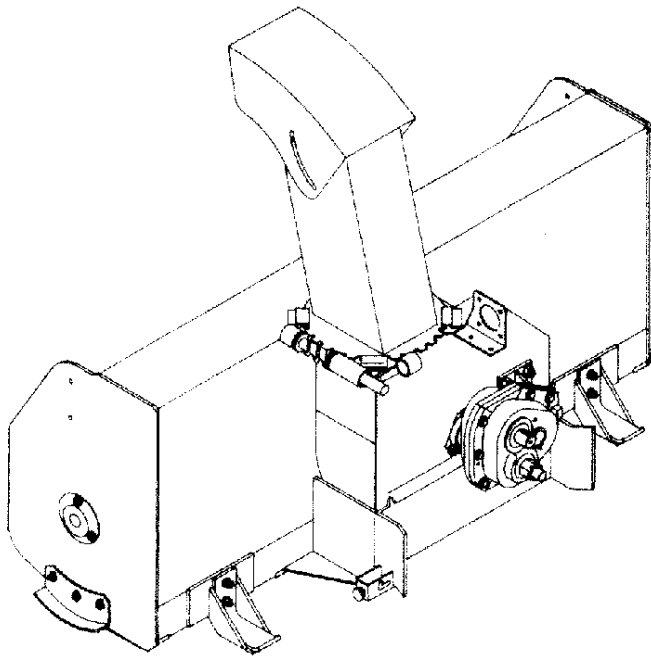
The above parts group applies to the following Mfg. Nos.:

1694404 - 47" Two Stage

Skid Shoe Group

986390

NOTE: Unless noted otherwise,
use the standard hardware torque
specification chart.



The above parts group applies to the following Mfg. Nos.:

1694404 - 47" Two Stage

Skid Shoe Group

REF NO.	PART NO.	QTY.	DESCRIPTION
1	1960223	4	CARRIAGE BOLT, 5/16-18 x 1-1/4
2	1709656	2	SKID SHOE, Snowthrower
3	1924874	16	WASHER, 5/16
4	1917356	4	LOCKWASHER, 5/16
5	1917372	4	NUT, Hex, 5/16-18
6	1924366	2	WASHER, 5/8
7	1709660	2	SPRING, Compression
8	1960587	2	PIN, Roll, 1/4 x 1-1/2
9	1709659	2	PIN, Shot
10	1709658	2	SKID SHOE
11	1923362	6	LOCKNUT, Hex, 5/16-18
12	1931333	6	BOLT, Carriage Botl, 5/16-18 x 3/4

Footnotes

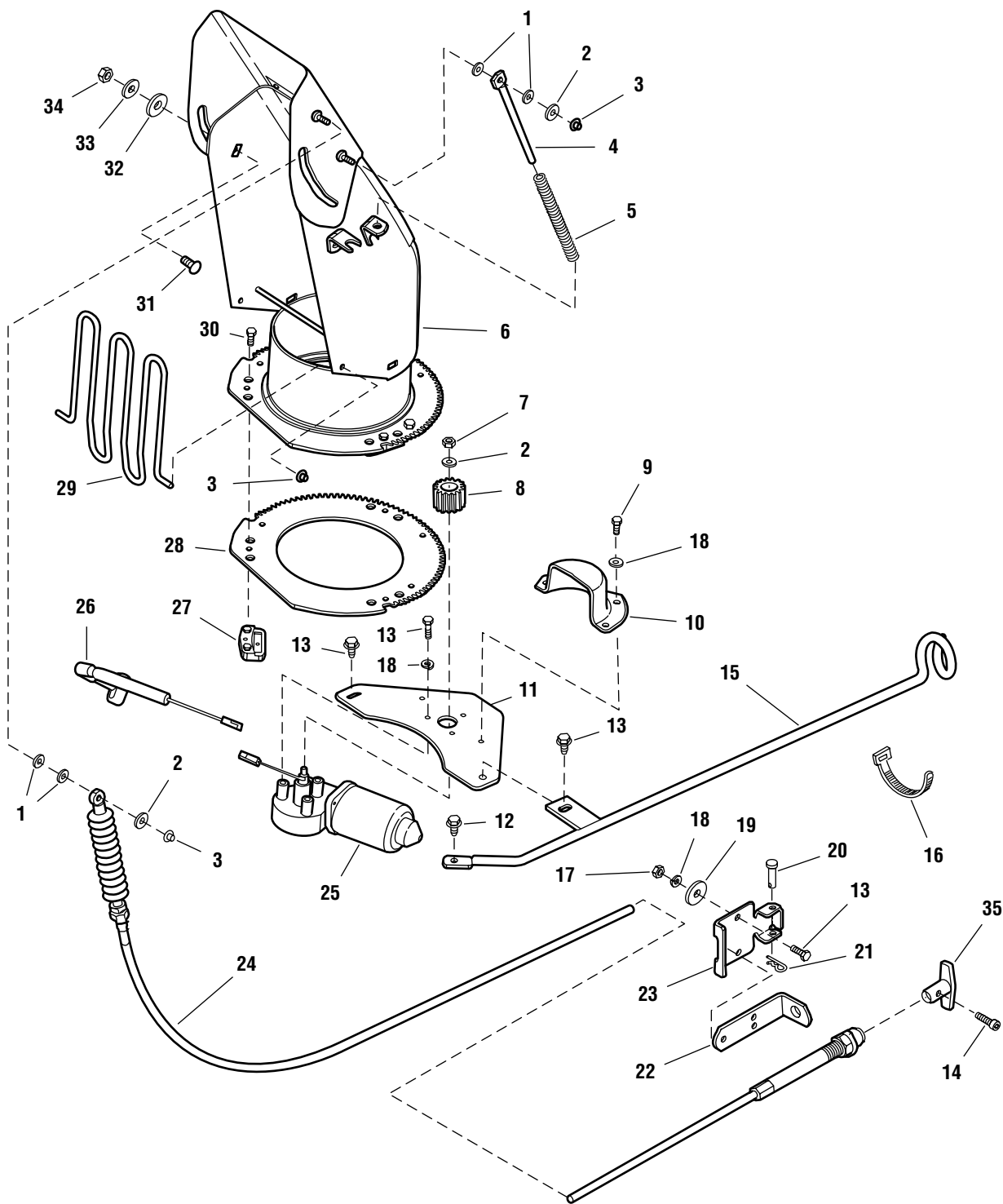
The above parts group applies to the following Mfg. Nos.:

1694404 - 47" Two Stage

Spout Group

986387

NOTE: Unless noted otherwise,
use the standard hardware torque
specification chart.



The above parts group applies to the following Mfg. Nos.:

1694404 - 47" Two Stage

Spout Group

REF NO.	PART NO.	QTY.	DESCRIPTION
1	1702219	4	SPACER
2	1921319	6	WASHER
3	1960126	4	NUT PUSH, Capped, 1/4
4	1611945	1	ROD
5	1611939	1	SPRING, Compression
6	1721601	1	CHUTE & DEFLECTOR ASSEMBLY
7	1923358	1	LOCKNUT, Hex, 1/4-20
8	1724604	1	PINION, 15 Teeth
9	1925003	3	SCREW, Hex Head, Taptite, 1/4-20 x 1/2
10	1717481	1	COVER
11	1725464	1	PLATE, Motor Mounting
12	1923341	2	CAPSCREW, Hex Head, 1/4-20 x 3/4
13	1924009	8	CAPSCREW, Hex Head, 1/4-20 x 7/8
14	1930547	1	SCREW, Set Hex, #10-24 x 3/8
15	1721617	1	ROD & TAB ASSEMBLY
16	1701011	1	TIE, Self Locking
17	1916622	4	NUT, Hex, 1/4 x 20
18	1916964	7	LOCKWASHER, 1/4
19	1960151	2	WASHER
20	1668344	1	PIN, Flat Head, Drilled, SS
21	1960221	1	CLIP, Hair Pin
22	1705920	1	BRACKET
23	1721590	1	BRACKET
24	1717482	1	CABLE & KNOB ASSEMBLY
25	1715885	1	MOTOR, Electric
26	1717483	1	HARNESS ASSEMBLY
27	1666613	3	HOLD DOWN
28	1717477	1	GEAR, Chute
29	1704446	1	GUARD & SUPPORT ASSEMBLY
30	1960683	3	SCREW, Hex Washer Head, Taptite Washer, #10-24 x 7/8
31	1931333	1	CARRIAGE BOLT, 5/16-18 x 3/4
32	960210	1	WASHER, 5/16
33	1919326	1	WASHER, 5/16
34	1919438	1	LOCKNUT, Hex, ESNA, 5/16-18
35	1715799	1	HANDLE "T"

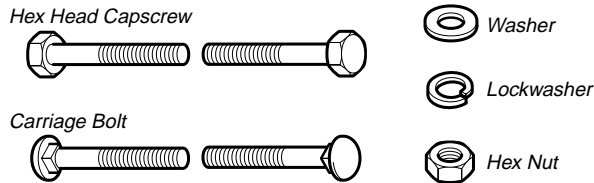
Footnotes

The above parts group applies to the following Mfg. Nos.:

1694404 - 47" Two Stage

Hardware Identification & Torque Specifications

Common Hardware Types

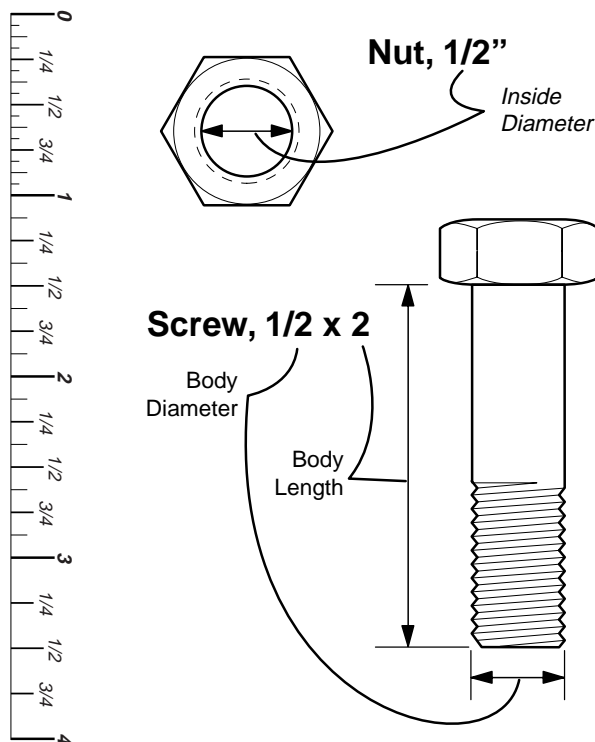


Standard Hardware Sizing

When a washer or nut is identified as $1/2''$, this is the *Nominal size*, meaning the *inside diameter* is $1/2$ inch; if a second number is present it represent the *threads per inch*

When bolt or capscrew is identified as $1/2 - 16 \times 2''$, this means the *Nominal size*, or *body diameter* is $1/2$ inch; the second number represents the *threads per inch* (16 in this example, and the final number is the *body length* of the bolt or screw (in this example 2 inches long).

The guides and ruler furnished below are designed to help you select the appropriate hardware and tools.



Torque Specification Chart						
FOR STANDARD MACHINE HARDWARE (Tolerance $\pm 20\%$)						
Hardware Grade	No Marks SAE Grade 2		SAE Grade 5		SAE Grade 8	
	in/lbs ft/lbs	Nm.	in/lbs ft/lbs	Nm.	in/lbs ft/lbs	Nm.
8-32	19	2.1	30	3.4	41	4.6
8-36	20	2.3	31	3.5	43	4.9
10-24	27	3.1	43	4.9	60	6.8
10-32	31	3.5	49	5.5	68	7.7
1/4-20	66	7.6	8	10.9	12	16.3
1/4-28	76	8.6	10	13.6	14	19.0
5/16-18	11	15.0	17	23.1	25	34.0
5/16-24	12	16.3	19	25.8	27	34.0
3/8-16	20	27.2	30	40.8	45	61.2
3/8-24	23	31.3	35	47.6	50	68.0
7/16-14	30	40.8	50	68.0	70	95.2
7/16-20	35	47.6	55	74.8	80	108.8
1/2-13	50	68.0	75	102.0	110	149.6
1/2-20	55	74.8	90	122.4	120	163.2
9/16-12	65	88.4	110	149.6	150	204.0
9/16-18	75	102.0	120	163.2	170	231.2
5/8-11	90	122.4	150	204.0	220	299.2
5/8-18	100	136	180	244.8	240	326.4
3/4-10	160	217.6	260	353.6	386	525.0
3/4-16	180	244.8	300	408.0	420	571.2
7/8-9	140	190.4	400	544.0	600	816.0
7/8-14	155	210.8	440	598.4	660	897.6
1-8	220	299.2	580	788.8	900	1,244.0
1-12	240	326.4	640	870.4	1,000	1,360.0

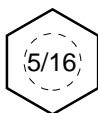
NOTES

- These torque values are to be used for all hardware excluding: locknuts, self-tapping screws, thread forming screws, sheet metal screws and socket head setscrews.
- Recommended seating torque values for locknuts:
 - for prevailing torque locknuts - use 65% of grade 5 torques.
 - for flange whizlock nuts and screws - use 135% of grade 5 torques.
- Unless otherwise noted on assembly drawings, all torque values must meet this specification.

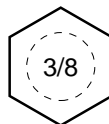
Wrench & Fastener Size Guide



$1/4''$ Bolt or Nut
Wrench— $7/16''$



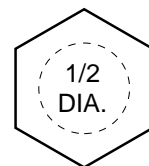
$5/16''$ Bolt or Nut
Wrench— $1/2''$



$3/8''$ Bolt or Nut
Wrench— $9/16''$



$7/16''$ Bolt or Nut
Wrench (Bolt)— $5/8''$
Wrench (Nut)— $11/16''$



$1/2''$ Bolt or Nut
Wrench— $3/4''$

Free Manuals Download Website

<http://myh66.com>

<http://usermanuals.us>

<http://www.somanuals.com>

<http://www.4manuals.cc>

<http://www.manual-lib.com>

<http://www.404manual.com>

<http://www.luxmanual.com>

<http://aubethermostatmanual.com>

Golf course search by state

<http://golfingnear.com>

Email search by domain

<http://emailbydomain.com>

Auto manuals search

<http://auto.somanuals.com>

TV manuals search

<http://tv.somanuals.com>