



### WARNING

Before installing the kit or making any adjustments: disengage power to attachment(s), set parking brake, lower the attachment, stop the engine and remove the key.

# INSTALLATION INSTRUCTIONS

SHAFT KIT

MFG. NO. 1685203

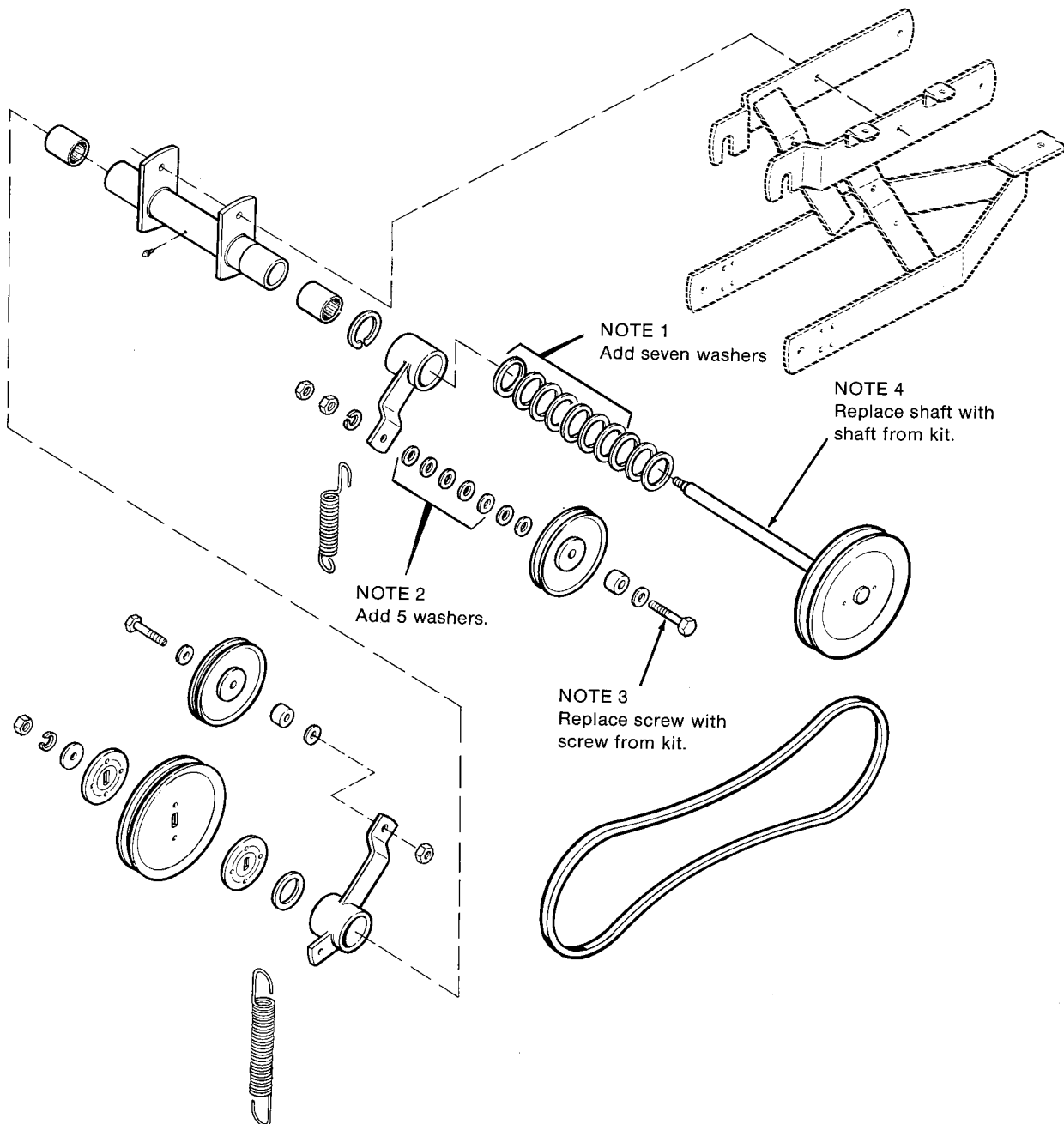
REPLACES SHAFT 164200/  
IMPROVES BELT ALIGNMENT

## KIT PARTS

Qty.	Name	Part No.
5	Washer, 3/8	917378
1	Screw, 3/8x2	923701
7	Washer	8141003
1	Shaft	1669157

## PROCEDURE

Install the new shaft in same manner as original shaft was installed, except add washers as indicated by notes 1 and 2, and replace the screw as indicated by note 3. (See the illustration).



## Free Manuals Download Website

<http://myh66.com>

<http://usermanuals.us>

<http://www.somanuals.com>

<http://www.4manuals.cc>

<http://www.manual-lib.com>

<http://www.404manual.com>

<http://www.luxmanual.com>

<http://aubethermostatmanual.com>

Golf course search by state

<http://golfingnear.com>

Email search by domain

<http://emailbydomain.com>

Auto manuals search

<http://auto.somanuals.com>

TV manuals search

<http://tv.somanuals.com>