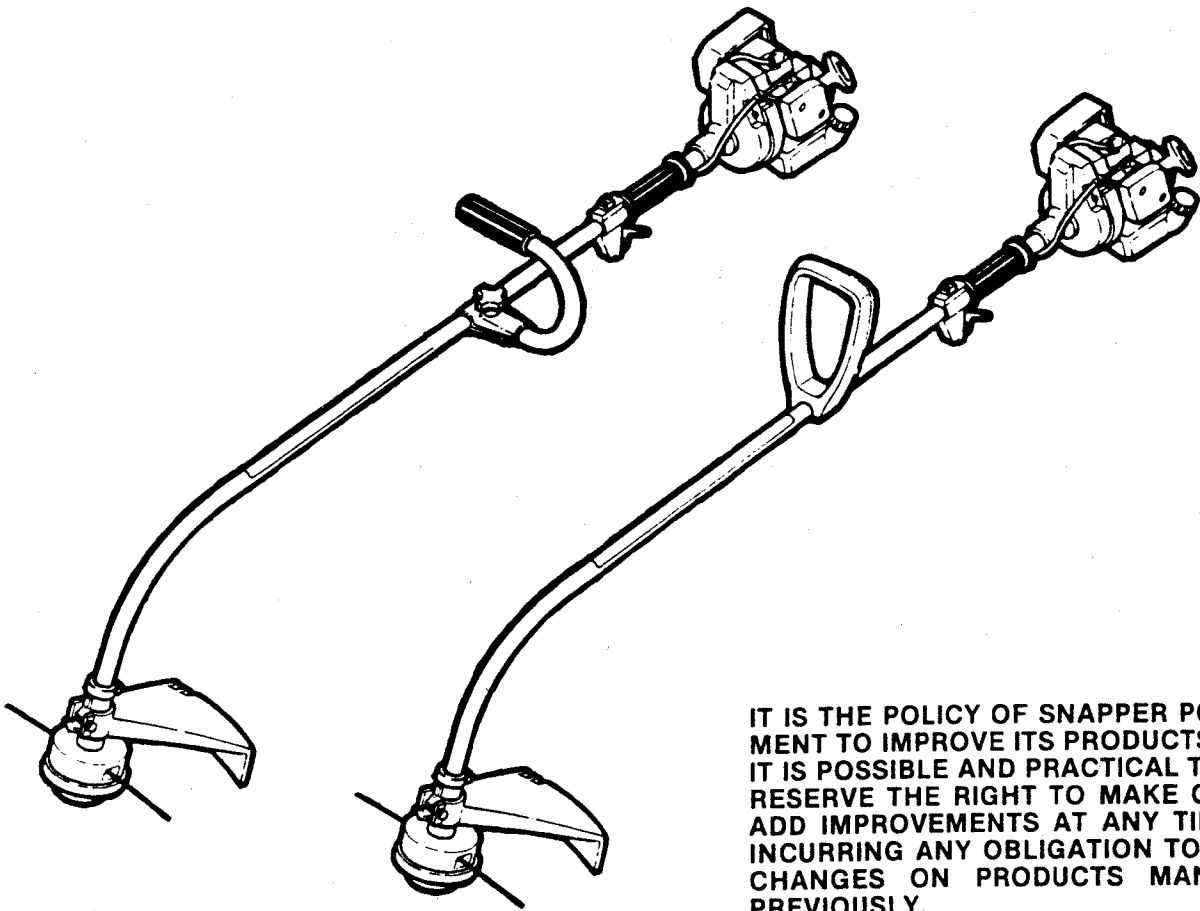


Parts Manual for

# **SNAPPER**<sup>®</sup>

## **MODEL 212CST, P212CST & 213CST TRIMMERS**



IT IS THE POLICY OF SNAPPER POWER EQUIPMENT TO IMPROVE ITS PRODUCTS WHENEVER IT IS POSSIBLE AND PRACTICAL TO DO SO. WE RESERVE THE RIGHT TO MAKE CHANGES OR ADD IMPROVEMENTS AT ANY TIME WITHOUT INCURRING ANY OBLIGATION TO MAKE SUCH CHANGES ON PRODUCTS MANUFACTURED PREVIOUSLY.

**SNAPPER POWER EQUIPMENT**  
McDonough, GA • 30253

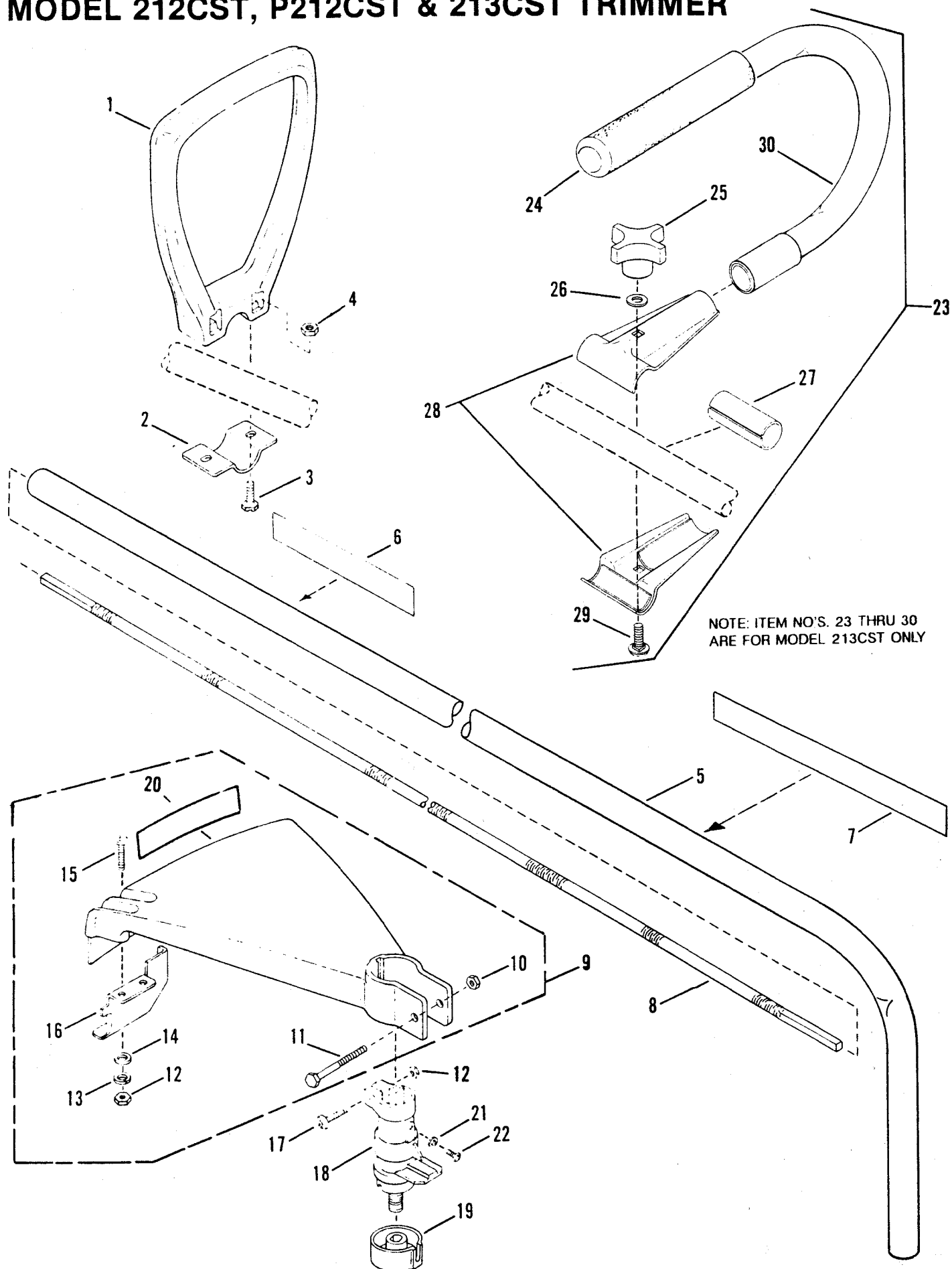


(REPLACES 11/88 ISSUE)

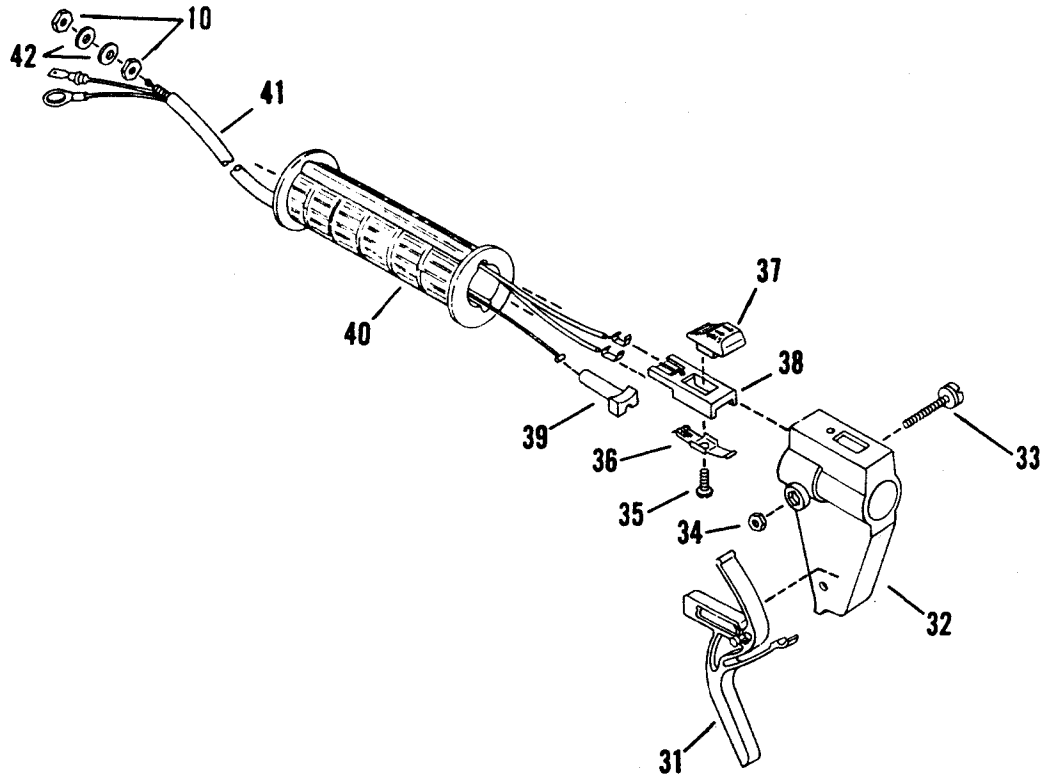
REVISION 12/89

MANUAL NO. 06615

# MODEL 212CST, P212CST & 213CST TRIMMER

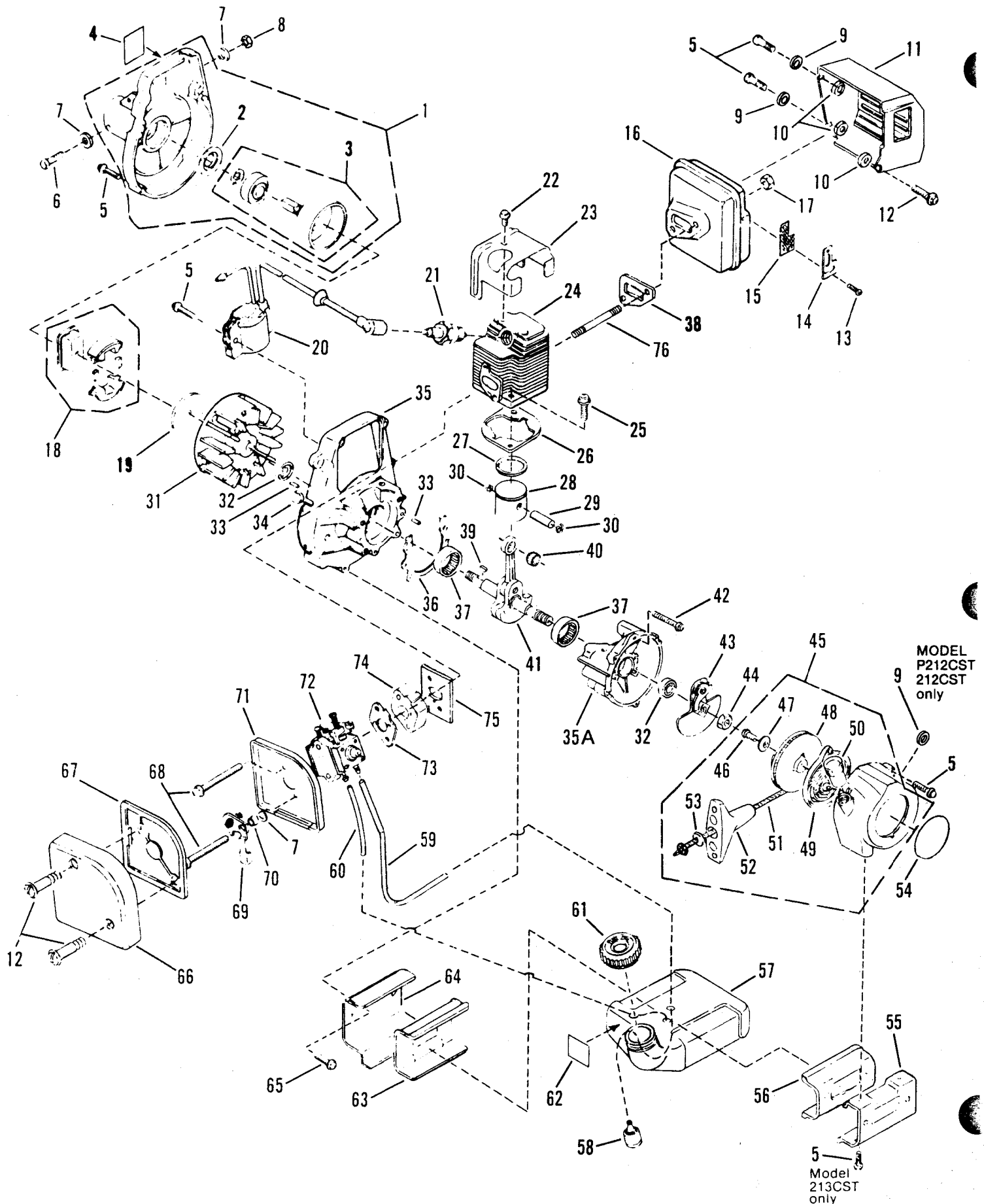


# MODEL 212CST, P212CST & 213CST TRIMMER



ITEM	PART NO.	DESCRIPTION	ITEM	PART NO.	DESCRIPTION
1	4-2575	DELTA HANDLE ASSM'Y., Model 212CST & P212CST (Incl. items 2,3,&4)	19	4-2516	COLLAR, Spindle
2	4-2576	BRACKET	20	1-5083	LABEL
3	4-2577	SCREW, M5x22mm	21	4-2106	WASHER, Flat
4	4-2180	NUT, M5 Hex	22	4-2146	SCREW, M4x9.5mm Pan Hd.
5	5-7502	TUBE/DECAL ASSM'Y., Model P212CST, 212CST & 213CST (In- cl.item 6)	23	5-1768	ASSM'Y, "J" HANDLE & Moun- ting (Including 24 thru 30)
6	1-5980	LABEL-WARNING	24	1-5070	GRIP
7	1-8917	LABEL, Model 212CST	25	1-5087	KNOB
-	1-8918	LABEL, Model 213CST	26	9-0188	WASHER, 5/16 Flat
-	1-8678	LABEL, Model P212CST	27	1-5777	ISO MOUNT
8	4-2419	SHAFT, Flex	28	5-1554	CLAMP ASSM'Y.
9	4-2550	SHIELD ASSM'Y. (Incl.items 10 thru 16 and item 20)	29	9-0861	CARRIAGE BOLT, 5/16-18x1-3/4"
10	4-2504	NUT, #M6 Hex	30	5-1767	ASSM'Y "J" Handle (Incl. item 24)
11	4-2551	SCREW, M6x50mm HH	31	4-2514	TRIGGER, Throttle
12	4-2503	NUT, #10-24 Hex	32	4-2513	HOUSING, Trigger
13	4-2557	WASHER, Lock	33	4-2512	SCREW, Sems, M5x28.5mm P.H.
14	4-2555	WASHER, Flat	34	4-2180	NUT, M5 Hex
15	4-2554	SCREW, Pan Hd. #10-24x3/4"	35	4-2508	SCREW, #8-18x.1/2" P.H.
16	4-2556	HOUSING - KNIFE	36	4-2510	CONTACT SWITCH
17	4-2502	SCREW, #10-24x1"	37	4-2511	BUTTON-STOP SWITCH
18	4-2501	SPINDLE HOUSING ASSM'Y.	38	4-2509	BASE-STOP SWITCH
			39	4-2515	GUIDE
			40	4-2507	GRIP
			41	4-2506	HARNESS-WIRE ASSM'Y.
			42	4-2505	WASHER

# MODEL 212CST, P212CST, 213CST ENGINE PARTS



# MODEL 212CST, P212CST, 213CST ENGINE PARTS

ITEM	PART NO.	DESCRIPTION	ITEM	PART NO.	DESCRIPTION
1	4-2114	HOUSING ASSM'Y, Fan, Model 212CST, P212CST & 213CST (Includes items 2 & 3)	46	4-2146	SCREW, Pan Head, M4x9.50mm
2	4-2141	PLATE, Thrust	47	4-2147	WASHER, Flat, M4 Special
3	4-2169	DRUM ASSM'Y., Clutch (Incl. clutch drum, bearing, & snap ring)	48	4-2148	DRUM/ROPE ASSM'Y (Includes item 51)
4	4-2101	LABEL, Engine, Model 212CST	49	4-2152	SPRING, Starter
-	4-2401	LABEL, Engine, Model 213CST	50	4-2154	GUIDE, Rope (212CST & P212CST)
-	4-2285	LABEL, Engine, Model P212CST	-	4-2412	GUIDE, Rope (213CST)
5	4-2105	SCREW, M4x18.50mm	51	4-2149	ROPE, Starter,
6	4-2179	SCREW, M5x35mm	52	4-2150	HANDLE, Starter
7	4-2175	WASHER, Flat, M5	53	4-2151	WASHER, Nylon
8	4-2180	NUT, Hex, M5	54	4-2402	LABEL, Starting Instruction, Model P212CST 213CST
9	4-2106	WASHER, Flat, M4	-	4-2103	LABEL, Starting Instruction, Model 212CST
10	4-2165	SPACER, Muffler	55	4-2406	BRACKET, Starter Housing (213CST only)
11	4-2166	SHIELD, Muffler	56	4-2108	CUSHION, Fuel Tank (212CST & P212CST)
12	4-2167	SCREW, M4x25mm	-	4-2405	CUSHION, Fuel Tank (213CST only)
13	4-2163	SCREW, #5-20x7/16"	57	4-2107	TANK ASSM'Y, Fuel, (212CST only (Includes items 58 & 59)
14	4-2162	COVER, Spark Arrester	-	4-2403	TANK ASSM'Y., Fuel, (213CST only) (Includes items 58, 59, & 60)
15	4-2161	SCREEN, Spark Arrester	58	4-2143	TANK ASSM'Y, Fuel, (P212CST only)(Includes items 58, 59, & 60)
16	4-2160	MUFFLER ASSM'Y	59	4-2157	PICK-UP, Hose
17	4-2164	NUT, Flange, M5	59	4-2156	HOSE, Fuel Pick-up
18	4-2153	CLUTCH ASSM'Y (Includes Rotor, Springs, Shoes)	60	4-2404	HOSE, Fuel Return
19	4-2168	PLATE, Side	61	4-2110	CAP, Fuel
*20	4-2123	COIL, Ignition (SEMS)	62	4-2102	LABEL, 32:1 Fuel/Oil Mix Ration
**	42424	COIL, Ignition (Full Line)	63	4-2109	CUSHION, Bracket, Model 212CST & P212CST
21	-	SPARK PLUG (Champion DJ8J)	-	4-2409	CUSHION, Bracket, Model 213CST
22	4-2139	SCREW, Pan Head, M5x8.5mm	64	4-2407	BRACKET ASSM'Y, Tank/Shield, (Model 213CST only)
23	4-2138	COVER, Cylinder	65	4-2408	SCREW, M4x8mm, (Model 213CST only)
24	4-2135	CYLINDER	66	4-2170	COVER, Air Filter
25	4-2137	SCREW, Pan Head, M6x18mm	67	4-2171	FILTER, Air
26	4-2136	GASKET, Cylinder	68	4-2172	SCREW, M5x55mm
27	4-2133	RING, Piston	69	4-2292	ASSEMBLY, Choke Shutter
28	4-2130	PISTON	70	4-2174	SPACER, Choke Shutter
29	4-2131	PIN, Piston	71	4-2176	AIRBOX/GROMMET ASSM'Y
30	4-2132	SNAP-RING, Piston Pin	72	4-2111	CARBURETOR ASSM'Y, 212CST
*31	4-2119	FLYWHEEL (SEMS)	-	4-2196	(See page 6 for breakdown)
**	42423	FLYWHEEL (Full Line)	4-2413	4-2413	CARBURETOR ASSM'Y, 213CST & P212CST
32	4-2120	SEAL, Oil	-	4-2309	(See page 6 for breakdown)
33	4-2121	PIN	73	4-2177	GASKET, Carburetor
34	4-2122	GROMMET	74	4-2126	INSULATOR, Carburetor
35	4-2113	CRANKCASE ASSM'Y (Includes item 35A)	75	4-2127	GASKET, Insulator
36	4-2117	GASKET, Crankcase	76	4-2159	STUD BOLT
37	4-2116	BEARING, Crankshaft			
38	4-2178	GASKET, Muffler			
39	4-2118	KEY, Woodruff			
40	4-2129	BEARING, Needle			
41	4-2115	CRANKSHAFT ASSM'Y			
42	4-2134	SCREW, Pan Head, M5x28.5mm			
43	4-2144	RATCHET ASSM'Y			
44	4-2145	NUT, Hex, M8			
45	4-2155	STARTER ASSM'Y, 212CST & P212CST (Includes items 46 - 53)			
	4-2203	STARTER ASSM'Y 213CST (Includes items 46 thru 53)			

**NOTE: #4-2422 ENGINE, Complete (Model 213CST)**

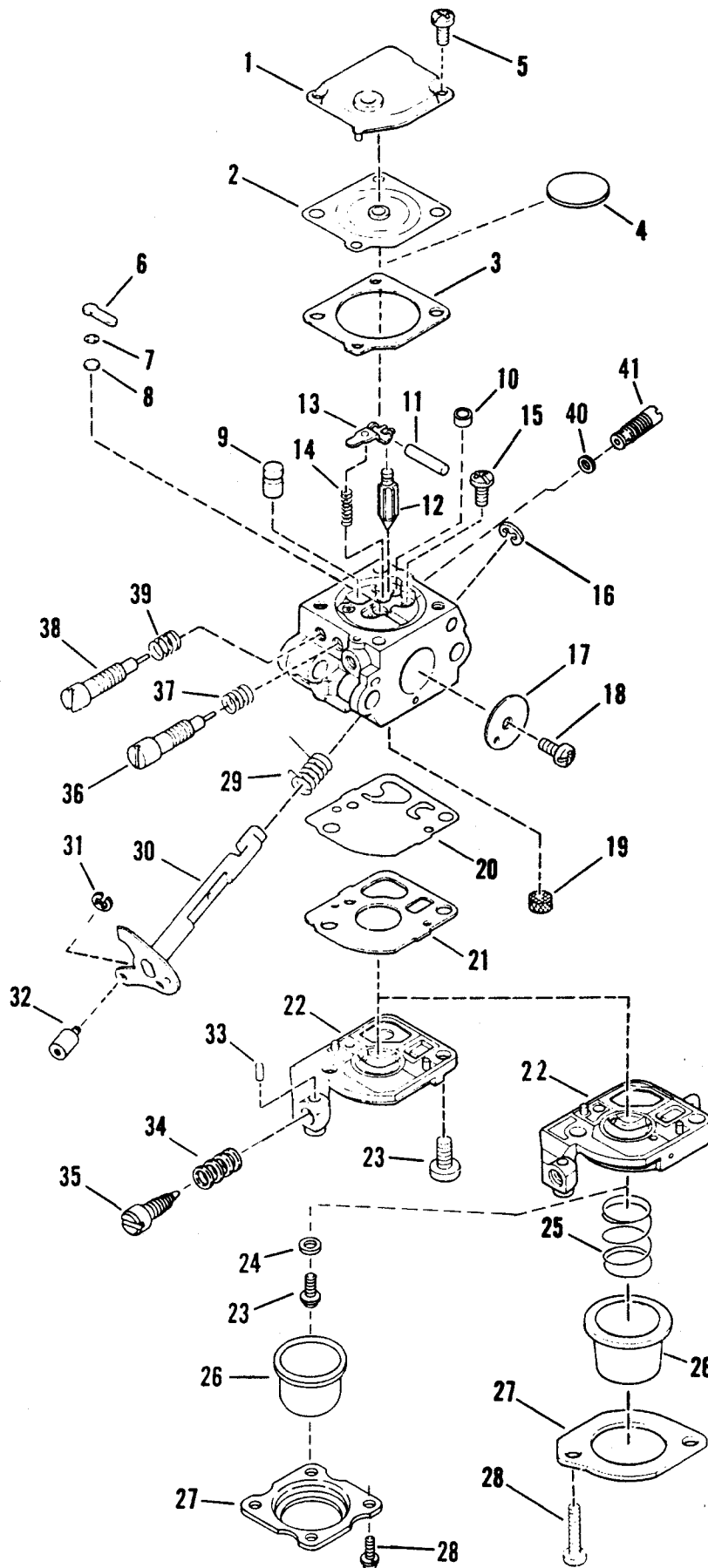
**\*\*\*NOTE: #4-2099 ENGINE, Complete (Model 212CST & P212CST)**

\* NOTE: For all engines Serial no. begining with #114

\*\*NOTE: For all engines Serial no. begining with #124

\*\*\*NOTE: This engine equipped with primer carburetor

# MODEL 212CST, P212CST, 213CST CARBURETOR PARTS



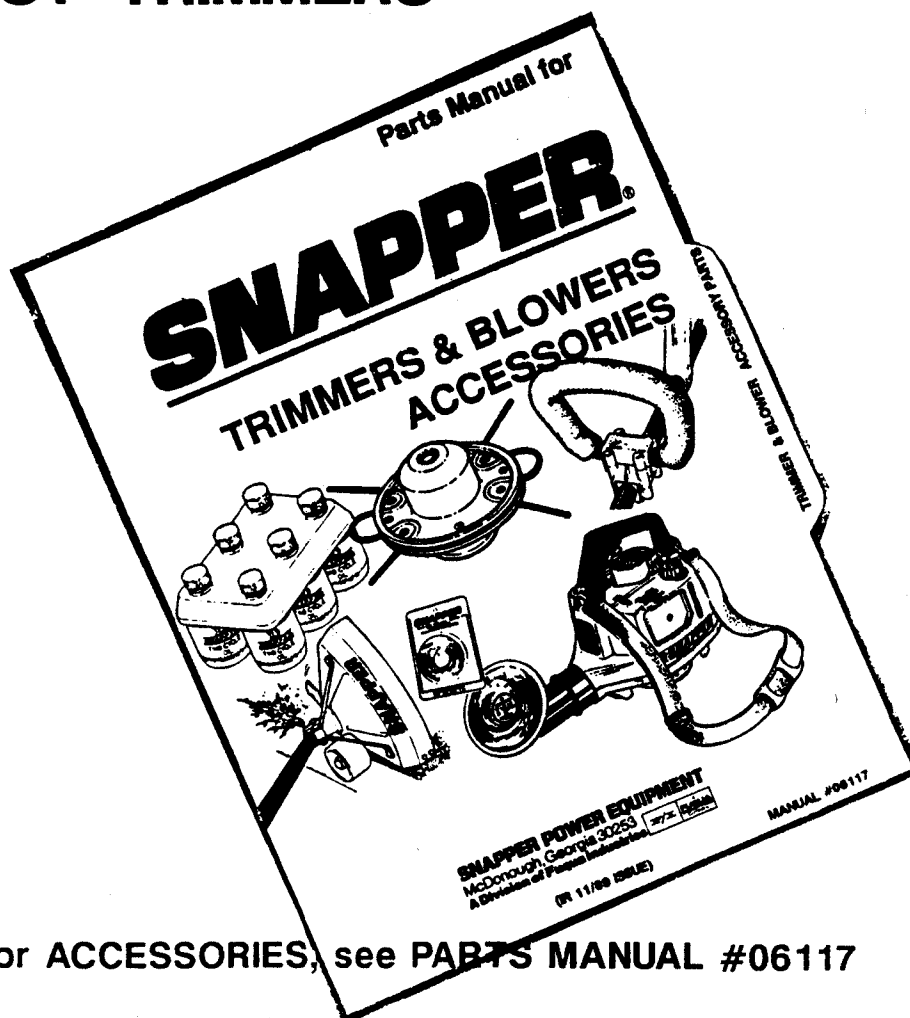
# MODEL 212CST, P212CST, 213CST CARBURETOR PARTS

		- 212CST -				-P212CST, 213CST AND 215SST-				
KITS	ITEM	DESCRIPTION	ZAMA*	SPE*	ZAMA*	SPE*	ZAMA*	SPE*	WALBRO*	SPE*
		CARBURETOR COMPLETE	C1U-M20	42196	C1S-M8	42111	C1U-M16	42413	WT-92	42309
▲ ■	1.	COVER, Metering Chamber	0028010	42206	0028010	42206	0028010	42206	21-158	44588
▲ ■	2.	DIAPHRAGM, Metering	A015010	42207	0015014	42257	A015010	42207	95-526	46103
▲ ■	3.	GASKET, Metering Chamber	0016019	42208	0016014	42259	0016019	42208	92-192	42311
	4.	DISC	N.A.	N.A.	0025007	42262	N.A.	N.A.	N.A.	N.A.
	5.	SCREW, Metering Cover	17103007	42218	17103007	42218	17103007	42218	96-589	46127
■	6.	PLUG, Welch/Metering Chamber	0005005	42209	0005004	42254	0005005	42209	88-28	46120
■	7.	RING, Screen Retainer	0009008	42211	N.A.	N.A.	0009008	42211	16-42	44582
■	8.	SCREEN, Check Valve	0008004	42210	N.A.	N.A.	0008004	42210	140-69	44581
■	9.	SEAT ASSY, Check Valve	A007022	42212	N.A.	N.A.	A007022	42212	84-576	42327
■	10.	PLUG, Welch/Check Valve	N.A.	N.A.	N.A.	N.A.	N.A.	N.A.	88-115	42312
■	11.	PIN, Metering Lever	0021001	42216	0021001	42216	0021001	42216	144-77	46107
■	12.	VALVE, Inlet Needle	0018001	42213	0018001	42213	0018001	42213	82-75	46110
■	13.	LEVER, Metering	0020009	42214	0020008	42261	0020009	42214	166-48	46105
■	14.	SPRING, Metering Lever	0019002	42215	0019002	42215	0019002	42215	98-350	42238
■	15.	SCREW, Metering Lever	14903006	42217	14803006	42269	14903006	42217	96-156	46106
	16.	CLIP, Throttle Shaft	19500030	42228	19500030	42228	19500030	42228	16-73	42324
	17.	VALVE, Throttle Plate	0014007	42229	0014007	42229	0014007	42229	34-93	42325
	18.	SCREW, Throttle Plate Valve	15603004	42230	15603004	42230	15603004	42230	96-142	42326
■	19.	SCREEN, Fuel Inlet	0004004	42222	0004004	42222	0004004	42222	140-70	46095
▲ ■	20.	DIAPHRAGM, Fuel Pump	0015020	42220	0015013	42258	0015020	42220	95-122	42316
▲ ■	21.	GASKET, Fuel Pump Cover	0016022	42221	0016016	42260	0016022	42221	92-328	42317
△	22.	COVER, Fuel Pump	△	△	△	△	△	△	21-883	42314
■	23.	SCREW, Fuel Pump Cover	17104015	42219	17004010	42267	17104015	42219	96-383	42315
■	24.	GASKET, Pump Cover Screw	N.A.	N.A.	N.A.	N.A.	N.A.	N.A.	92-327	42329
	25.	SPRING, Primer Bulb	N.A.	N.A.	N.A.	N.A.	N.A.	42232	N.A.	N.A.
	26.	BULB, Primer	N.A.	N.A.	N.A.	N.A.	42103	42421	88-12	42310
	27.	RETAINER, Primer Bulb	N.A.	N.A.	N.A.	N.A.	0009015	42231	21-404	46108
	28.	SCREW, Primer Bulb Retainer	N.A.	N.A.	N.A.	N.A.	N.A.	N.A.	96-589	46127
	29.	SPRING, Throttle Return	003016	42227	0013012	42256	003016	42227	98-234	46114
	30.	SHAFT, Throttle	A011039	42226	A011019	42255	A011039	42226	30-1090	42322
	31.	CLIP, Throttle Post	N.A.	N.A.	19500040	42268	N.A.	N.A.	16-33	42323
	32.	POST, Throttle Swivel	N.A.	N.A.	0045002	42266	N.A.	N.A.	52-18	44593
	33.	INSERT, Idle Adjust Friction	△	△	△	△	△	△	N.A.	N.A.
△	34.	SPRING, Idle Adjusting Screw	N.A.	N.A.	N.A.	N.A.	N.A.	N.A.	98-356	46112
	35.	SCREW, Idle Adjusting	△	△	△	△	△	△	96-297	42318
■	36.	SCREW, Idle Mix Needle	0031028	42223	0031002	42265	0031028	42223	102-427	42319
■	37.	SPRING, Idle Mix Screw	0029005	42224	0029001	42263	0029005	42224	98-404	46100
■	38.	SCREW, High Speed Mix	0030024	42225	0030012	42264	0030024	42225	102-472	42320
■	39.	SPRING, High Speed Mix Screw	0029005	42224	0029001	42263	0029005	42224	98-160	42321
■		PUMP COVER KIT	K017013	42417	K017006	42184	K056001	42272	N.A.	N.A.
■		MAJOR REPAIR KIT	K500080	42414	K500024	42181	K500080	42414	A4602-WT	42305
■		MINOR REPAIR KIT	K500088	42415	K500049	42182	K500088	42415	A4603-WT	42306
▲		GASKET AND DIAPHRAGM KIT	K015045	42416	K015022	42183	K015045	42416	B4601-WT	42308
		SPE = SNAPPER POWER EQUIP								
		N.A. = NOT APPLICABLE								

Parts Manual  
for

# SNAPPER®

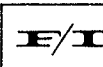
MODELS 212CST, P212CST  
& 213CST TRIMMERS



For ACCESSORIES, see PARTS MANUAL #06117

**SNAPPER POWER EQUIPMENT**

McDonough, GA • 30253





## Free Manuals Download Website

<http://myh66.com>

<http://usermanuals.us>

<http://www.somanuals.com>

<http://www.4manuals.cc>

<http://www.manual-lib.com>

<http://www.404manual.com>

<http://www.luxmanual.com>

<http://aubethermostatmanual.com>

Golf course search by state

<http://golfingnear.com>

Email search by domain

<http://emailbydomain.com>

Auto manuals search

<http://auto.somanuals.com>

TV manuals search

<http://tv.somanuals.com>