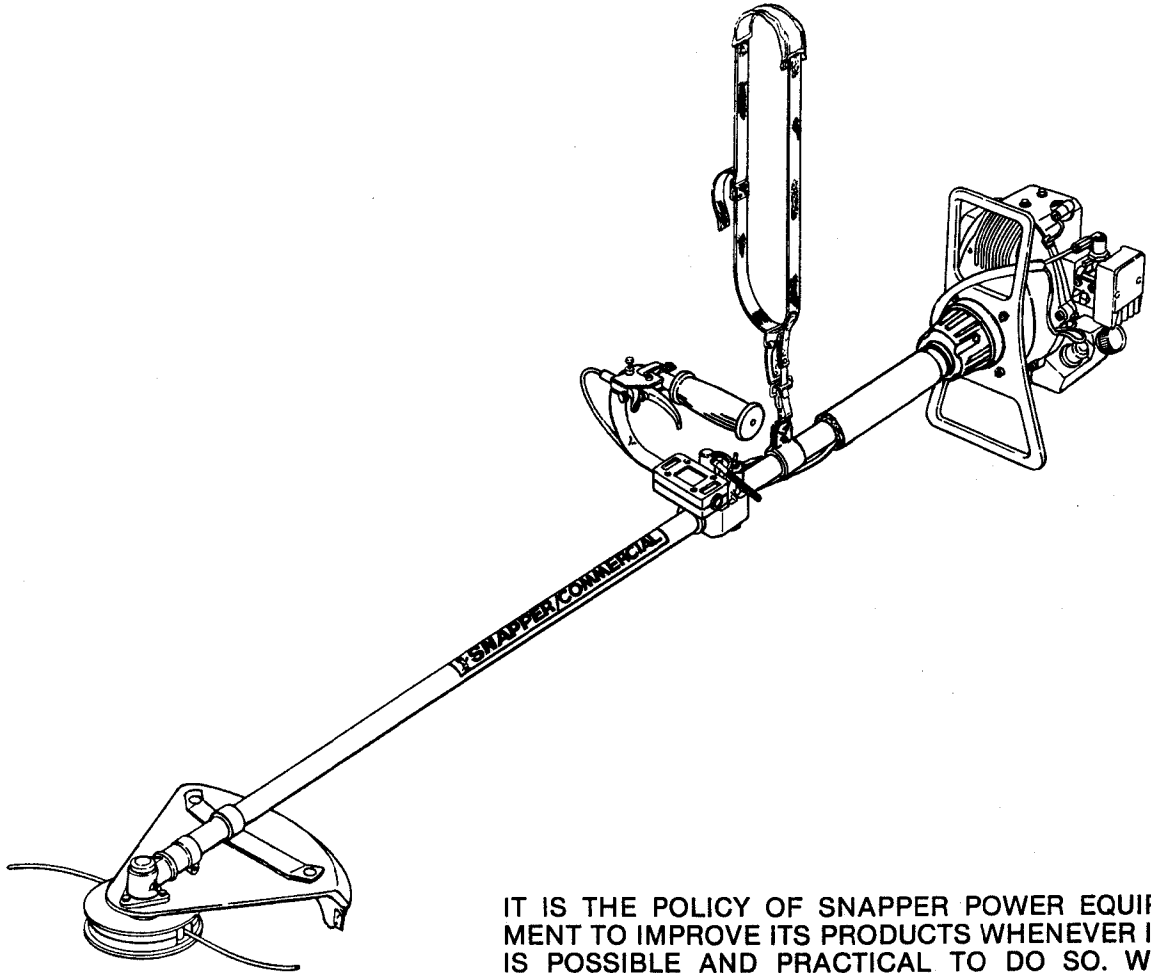


Parts Manual for

SNAPPER®

MODEL 411SST TRIMMER



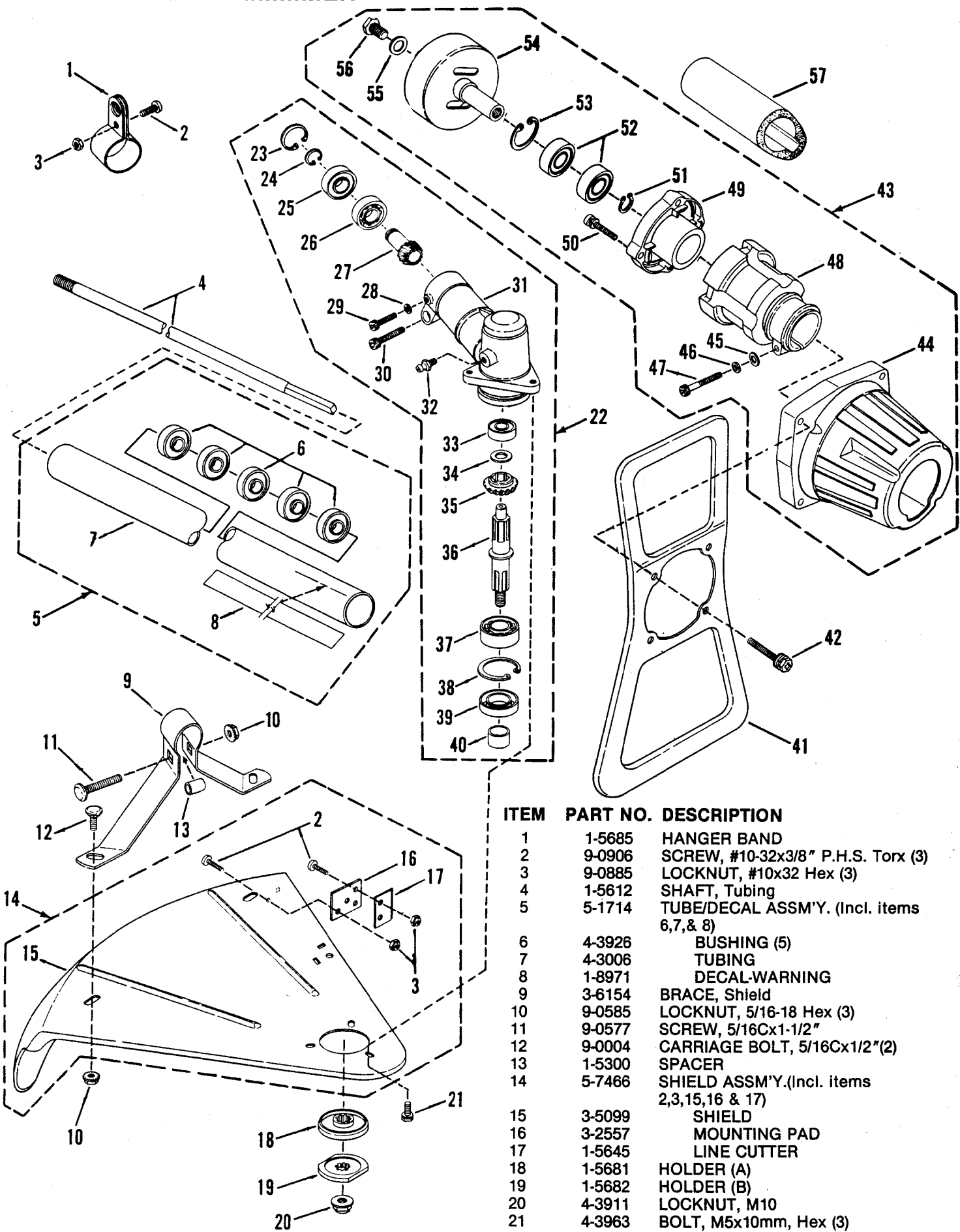
IT IS THE POLICY OF SNAPPER POWER EQUIPMENT TO IMPROVE ITS PRODUCTS WHENEVER IT IS POSSIBLE AND PRACTICAL TO DO SO. WE RESERVE THE RIGHT TO MAKE CHANGES OR ADD IMPROVEMENTS AT ANY TIME WITHOUT INCURRING ANY OBLIGATION TO MAKE SUCH CHANGES ON PRODUCTS MANUFACTURED PREVIOUSLY.

SNAPPER POWER EQUIPMENT

McDonough, GA • 30253



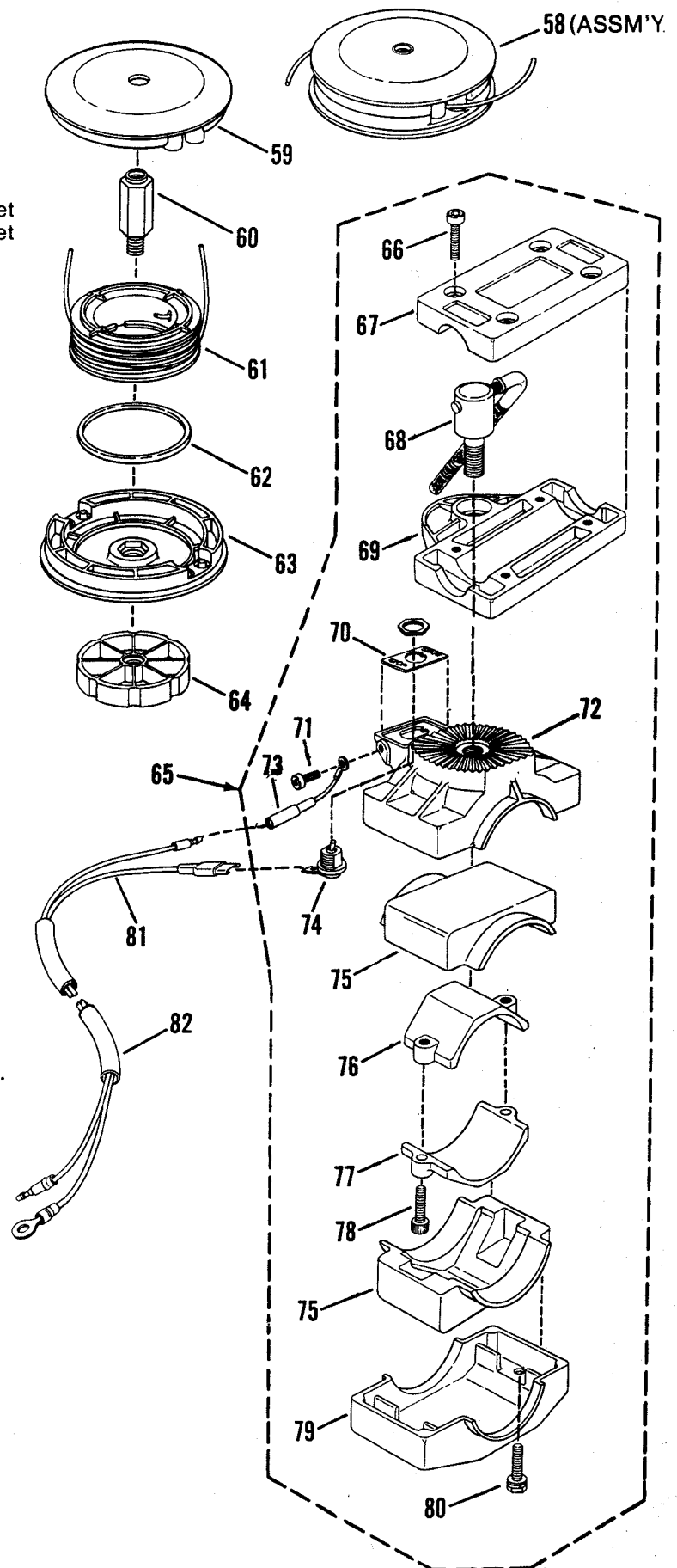
MODEL 411SST TRIMMER



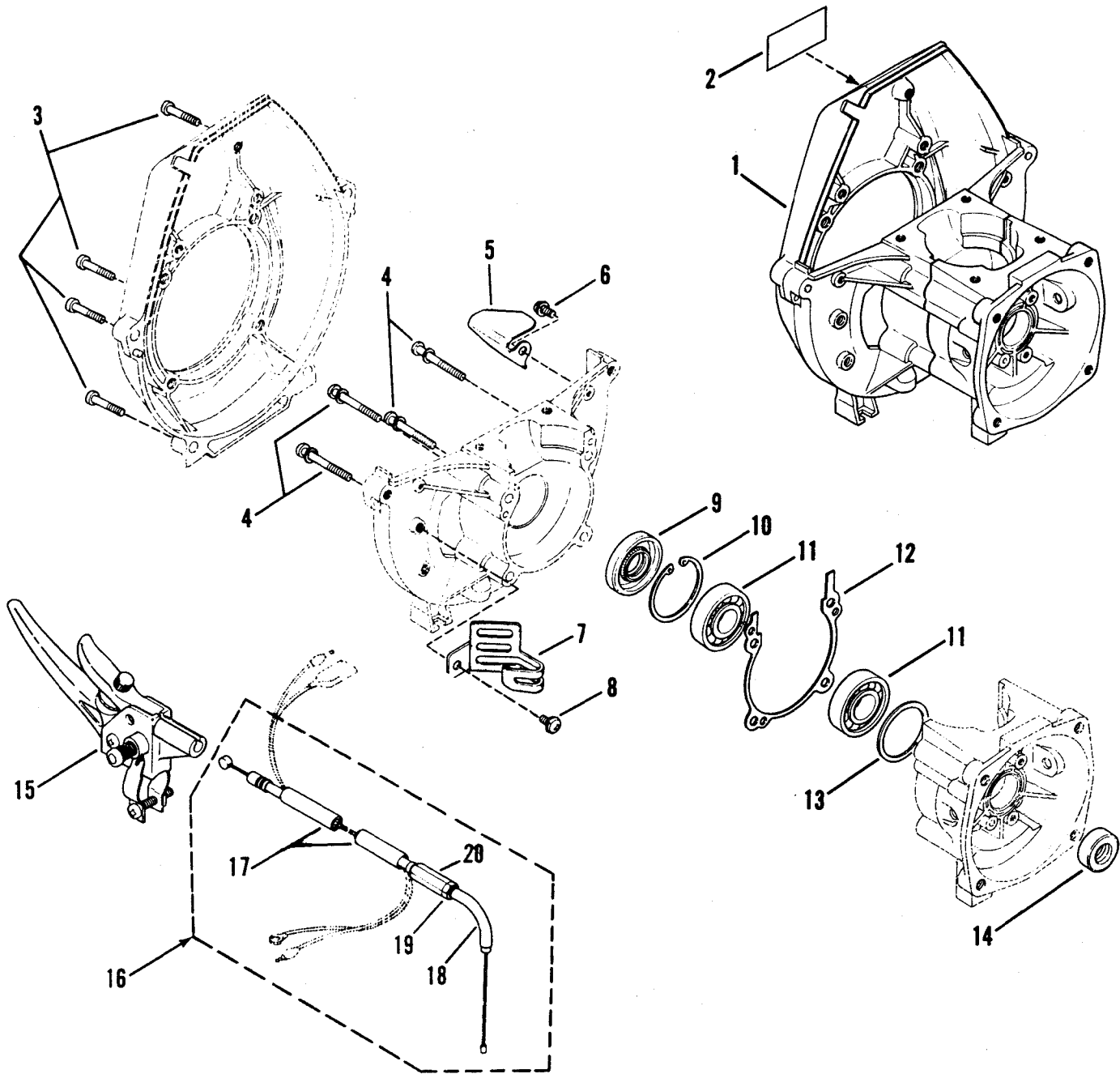
ITEM	PART NO.	DESCRIPTION
1	1-5685	HANGER BAND
2	9-0906	SCREW, #10-32x3/8" P.H.S. Torx (3)
3	9-0885	LOCKNUT, #10x32 Hex (3)
4	1-5612	SHAFT, Tubing
5	5-1714	TUBE/DECAL ASSM'Y. (Incl. items 6,7,& 8)
6	4-3926	BUSHING (5)
7	4-3006	TUBING
8	1-8971	DECAL-WARNING
9	3-6154	BRACE, Shield
10	9-0585	LOCKNUT, 5/16-18 Hex (3)
11	9-0577	SCREW, 5/16Cx1-1/2"
12	9-0004	CARRIAGE BOLT, 5/16Cx1-1/2"(2)
13	1-5300	SPACER
14	5-7466	SHIELD ASSM'Y.(Incl. items 2,3,15,16 & 17)
15	3-5099	SHIELD
16	3-2557	MOUNTING PAD
17	1-5645	LINE CUTTER
18	1-5681	HOLDER (A)
19	1-5682	HOLDER (B)
20	4-3911	LOCKNUT, M10
21	4-3963	BOLT, M5x10mm, Hex (3)

MODEL 411SST TRIMMER

ITEM	PART NO.	DESCRIPTION
22	4-3085	GEAR HEAD ASSM'Y.(Incl. items 23 thru 40)
23	4-3918	SNAP-RING
24	4-3919	SNAP-RING
25	4-3915	BEARING
26	4-3916	BEARING
27	4-3021	BEVEL PINION/SQ. DR.
28	4-3923	LOCKWASHER
29	4-3922	SCREW, M5x15mm, Socket
30	4-3921	SCREW, M6x20mm, Socket
31	4-3901	GEAR CASE
32	4-3937	FITTING, Lube
33	4-3914	BEARING
34	4-3908	WASHER, Thrust
35	4-3903	BEVEL GEAR
36	4-3904	SPLINE SHAFT
37	4-3913	BEARING
38	4-3917	SNAP-RING
39	4-3912	SEAL, Oil
40	4-3905	SPLINE SLEEVE
41	4-3001	STAND
42	4-3973	BOLT, M6x35mm, Hex (4)
43	4-3086	CLUTCH CASE ASSM'Y.(Incl. items 44 thru 56)
44	4-3090	CASE, Clutch
45	4-3096	WASHER, Plain, M6
46	4-3931	LOCKWASHER, M6
47	4-3930	SCREW, M6x25mm
48	4-3093	RING, Insert
49	4-3092	COVER, Clutch Bearing
50	4-3094	SCREW, M5x22mm (4)
51	4-3938	SNAP-RING, M15
52	4-3095	BEARING (2)
53	4-3917	SNAP-RING, M35
54	4-3091	DRUM, Clutch
55	4-3934	WASHER, Plain, M8
56	4-3935	BOLT, Low Head, M8
57	4-3004	PROTECTOR/HIP PAD
58	1-8724	MANUAL HEAD ASSM'Y.(Incl. items 59 thru 64)
59	1-5078	HOUSING, Upper
60	1-5077	ARBOR (10mm hole)
61	6-8012	SPOOL & LINE
62	1-5076	O-RING
63	1-5073	HOUSING, Lower
64	6-8013	KNOB, Lock
65	4-3084	SWIVEL HANDLE ASSM'Y.(Incl. items 66 thru 80)
66	4-3952	SCREW, M5x20mm, Allen Hd.(4)
67	4-3944	JOINT "A", Handle
68	4-3954	LOCK HANDLE
69	4-3945	JOINT "B", Handle
70	4-3975	PLATE, Switch
71	4-3977	SCREW, M5x10mm
72	4-3947	JOINT "D", Handle
73	4-3976	LEAD, Wire (Ground)
74	4-3974	SWITCH, Stop (Incl. nut)
75	4-3950	RUBBER, Vibro (2)
76	4-3949	FITTING "A", Tube
77	4-3948	FITTING "B", Tube
78	4-3930	SCREW, M6x25mm, Allen Hd.(2)
79	4-3946	JOINT "C", Handle
80	4-3951	BOLT, M6x30mm, Hex (2)
81	4-4041	WIRE LEADS (2)
82	4-4040	TUBE, Wire Leads



MODEL 411SST TRIMMER - ENGINE PARTS



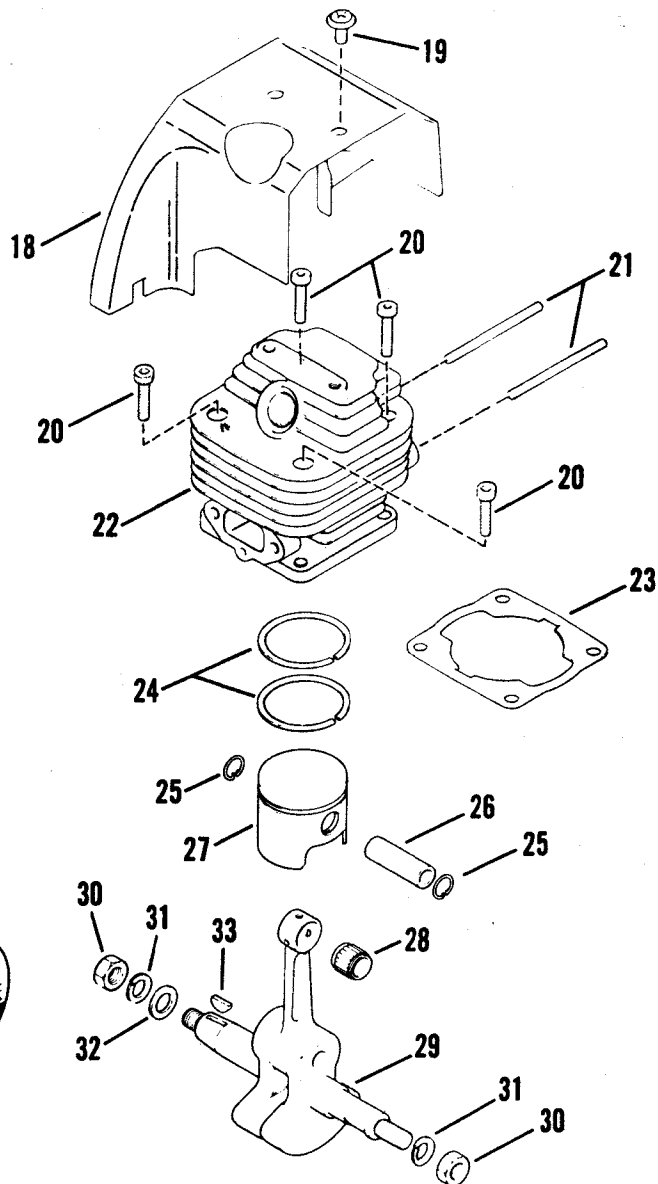
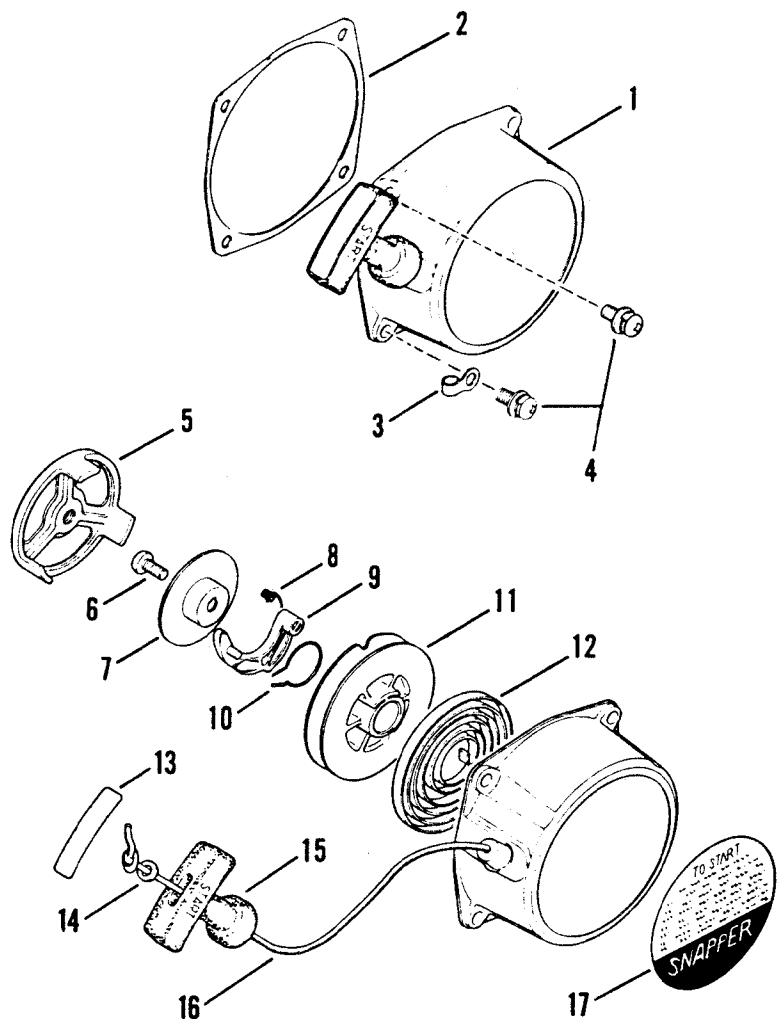
ITEM PART NO. DESCRIPTION

1	4-4147	CRANK CASE ASSM'Y.
2	1-5171	DECAL, Serial Number
3	4-4004	SCREW (4)
4	4-4003	SCREW (4)
5	4-4002	PLATE
6	4-4001	SCREW
7	4-4005	CLAMP
8	4-4006	SCREW
9	4-4007	SEAL, OIL
10	4-4008	SNAP-RING
11	4-4009	BEARING (2)

ITEM PART NO. DESCRIPTION

12	4-4010	GASKET, Crankcase
13	4-4011	SHIM (Set of 3)
14	4-4013	SEAL, Oil
15	4-4079	LEVER, Throttle
16	4-4080	CABLE, Throttle Assm'y. (Includes items 17 thru 20)
17	4-4249	CABLE & JACKET
18	4-4418	ELBOW
19	4-4417	NUT, Lock
20	4-4416	NUT, Adjusting

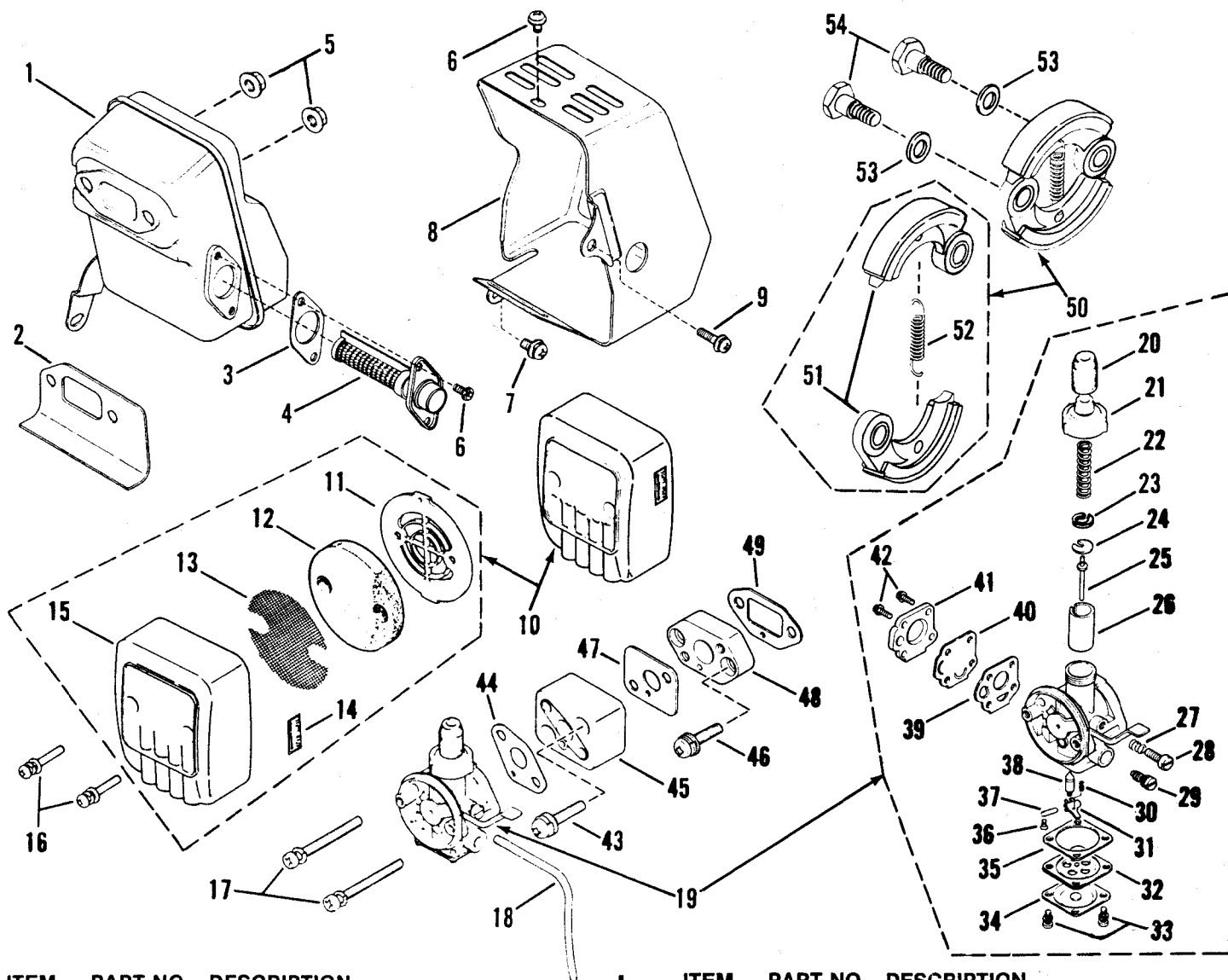
MODEL 411SST TRIMMER - ENGINE PARTS



ITEM	PART NO.	DESCRIPTION
1	4-4102	RECOIL STARTER ASSM'Y. (Incl. items 5 thru 16)
2	4-4101	GASKET, Recoil Starter
3	4-4103	CLAMP, Fuel Tube
4	4-4104	SCREW (4)
5	4-4105	PULLEY, Recoil Starter
6	4-4106	SCREW
7	4-4107	PLATE, Friction
8	4-4108	SPRING, Return
9	4-4109	RATCHET
10	4-4110	SPRING, Friction
11	4-4111	REEL
12	4-4112	SPRING, Spiral
13	4-4113	TAPE, Knob
14	4-4114	WASHER
15	4-4115	KNOB, Recoil Starter
16	4-4116	ROBE, Recoil Starter

ITEM	PART NO.	DESCRIPTION
17	4-4117	DECAL, Starting
18	4-4014	COVER, Cylinder
19	4-4018	SCREW (2)
20	4-4015	BOLT, Cylinder
21	4-4019	STUD BOLT (2)
22	4-4016	CYLINDER
23	4-4017	GASKET, Cylinder
24	4-4020	RING, Piston (2)
25	4-4021	SNAP-RING, Piston Pin (2)
26	4-4022	PISTON (Includes item 27)
27	4-4024	PIN, Piston
28	4-4025	BEARING, Needle
29	4-4029	CRANKSHAFT (Incl. 28 & 33)
30	4-4026	NUT, Crankshaft (2)
31	4-4027	WASHER, Spring (2)
32	4-4028	WASHER
33	4-4023	KEY

MODEL 411SST TRIMMER-ENGINE PARTS

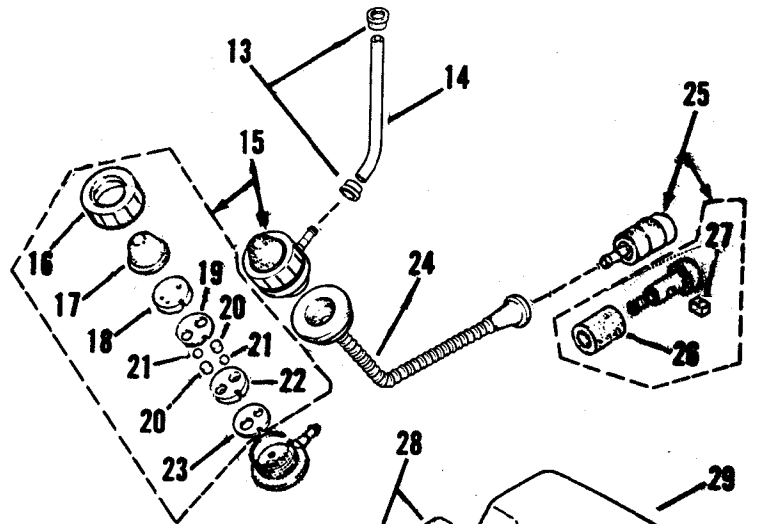
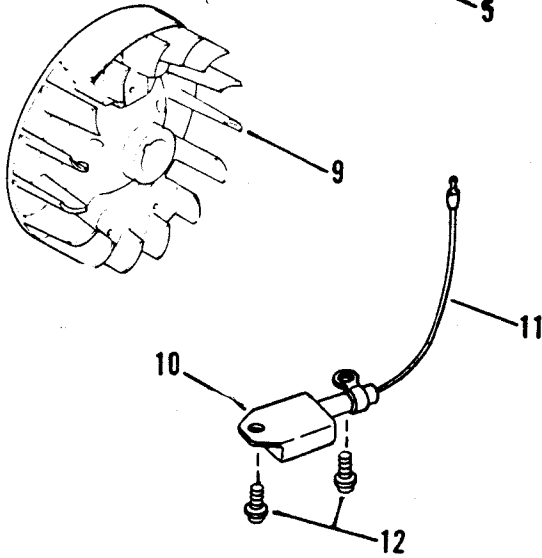
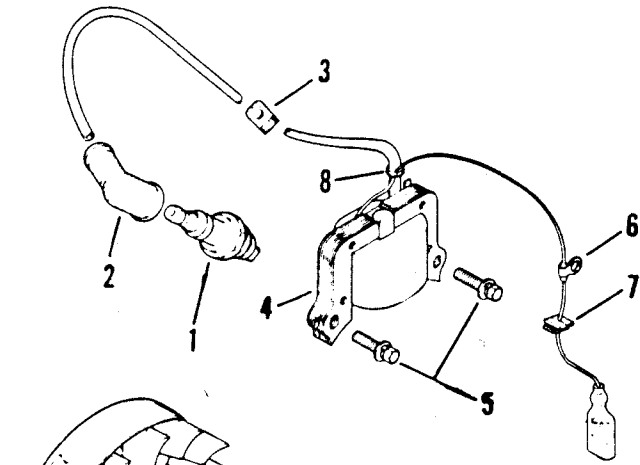


ITEM	PART NO.	DESCRIPTION
1	4-4240	MUFFLER
2	4-4088	GASKET, Muffler
3	4-4241	GASKET, Spark Arrester
4	4-4242	SPARK ARRESTER
5	4-4091	LOCKNUT (2)
6	4-4093	SCREW (3)
7	4-4095	SCREW
8	4-4243	COVER, Muffler
9	4-4094	SCREW
10	4-4081	AIR CLEANER ASSM'Y.(Includes items 11 thru 15)
11	4-4082	HOLDER, Element
12	4-4083	ELEMENT
13	4-4084	SCREEN, Steel
14	4-4085	NAMEPLATE, Choke
15	4-4086	COVER, Air Cleaner
16	4-4087	SCREW, Cover (2)
17	4-4056	SCREW, Carburetor (2)
18	4-4054	TUBE, Overflow
19	4-4055	CARBURETOR ASSM'Y.(Includes items 20 thru 42)
20	4-4057	CAP, Rubber
21	4-4058	CAP, Mixing Chamber
22	4-4059	SPRING, Throttle
23	4-4012	CLIP, Needle
24	4-4060	RETAINER, Spring
25	4-4061	NEEDLE, Jet Assm'y.
26	4-4062	VALVE, Throttle
27	4-4063	SPRING, Throttle Adj. Screw

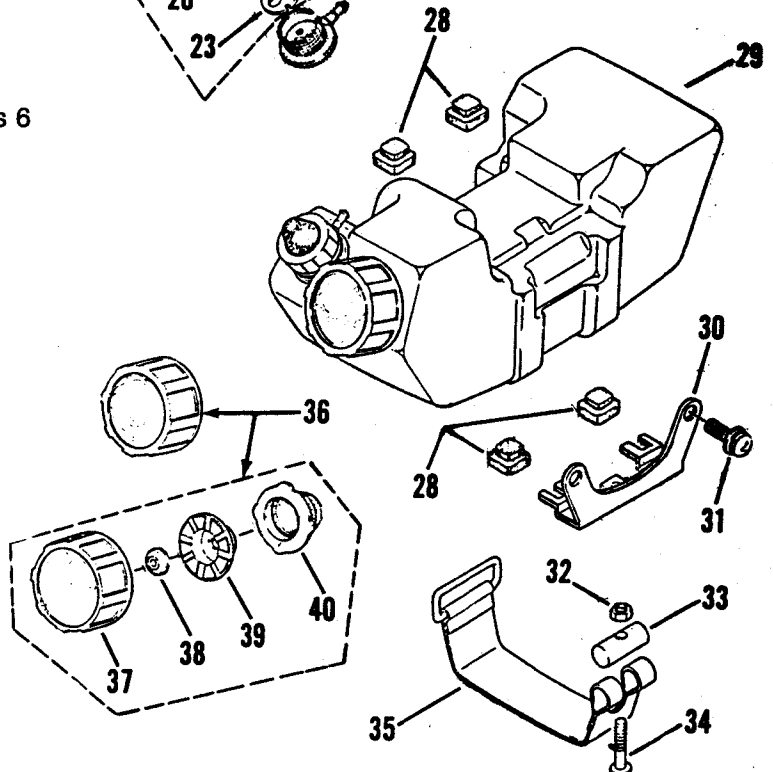
ITEM	PART NO.	DESCRIPTION
28	4-4064	SCREW, Throttle Adj.
29	4-4065	NEEDLE, Main Jet Assm'y.
30	4-4066	SPRING, Inlet Valve
31	4-4074	ARM, Float
32	4-4068	DIAPHRAGM, Main Assm'y.
33	4-4078	SCREW (4)
34	4-4077	COVER, Main Diaphragm
35	4-4067	GASKET, Main Diaphragm
36	4-4076	SCREW, Float Pin Set
37	4-4075	PIN, Float
38	4-4073	VALVE, Float
39	4-4072	GASKET, Main Diaphragm
40	4-4071	DIAPHRAGM, Pump
41	4-4070	COVER
42	4-4069	SCREW (4)
43	4-4053	SCREW
44	4-4051	GASKET, Carburetor
45	4-4050	FLANGE, Intake (B)
46	4-4052	SCREW (2)
47	4-4049	GASKET
48	4-4048	FLANGE, Intake (A)
49	4-4047	GASKET (A)
50	4-4098	CLUTCH ASSM'Y. (Includes items 51 & 52)
51	4-4099	SHOE, Clutch (2)
52	4-4100	SPRING
53	4-4097	WASHER (2)
54	4-4096	BOLT, Clutch (2)

MODEL 411SST TRIMMER-ENGINE PARTS

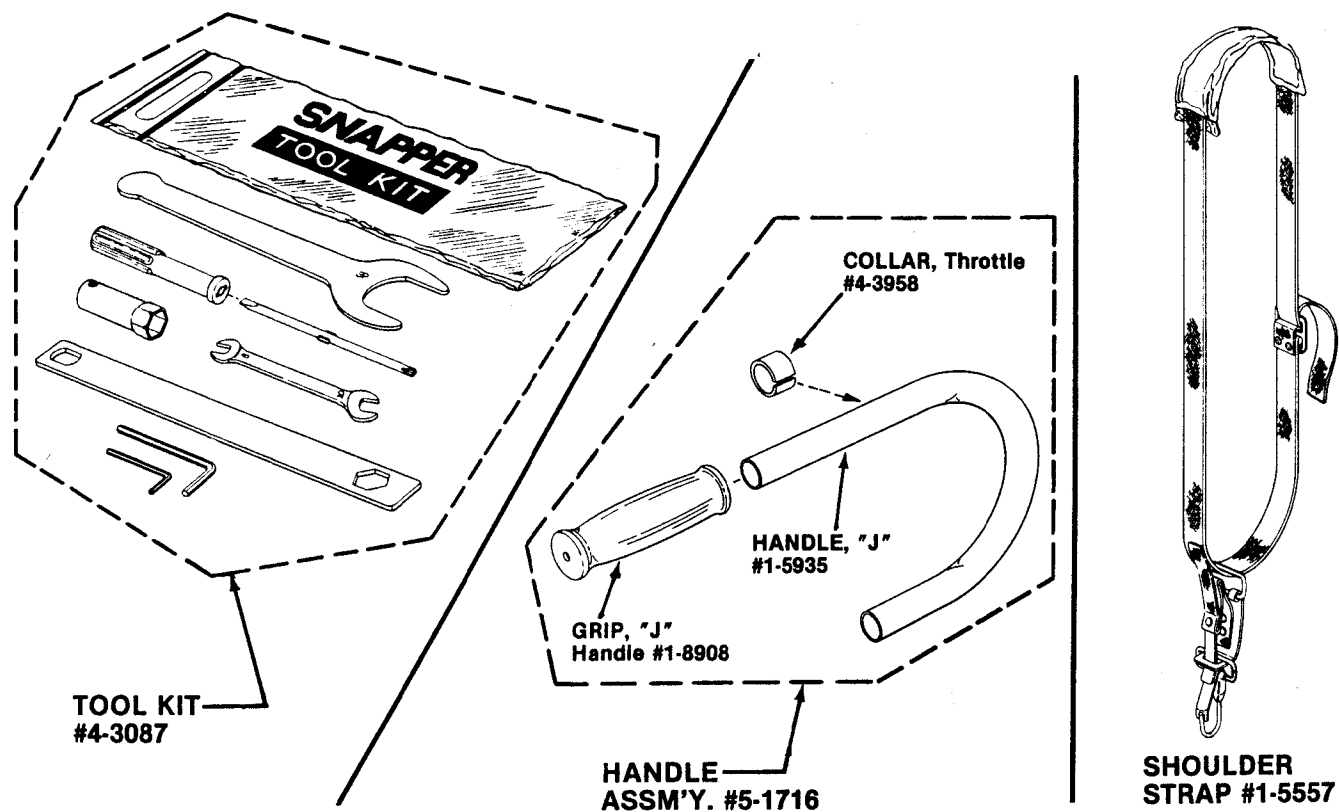
ITEM	PART NO.	DESCRIPTION
24	4-4130	HOSE, Fuel
25	4-4125	FILTER ASSM'Y.,Fuel (Includes items 26 & 27)
26	4-4143	FILTER
27	4-4144	SPONGE
28	4-4126	PAD (4)
29	4-4136	TANK ASSM'Y.,Fuel (Includes items 13, 14, 15 & 24, 25, 36)
30	4-4137	HANGER, Tank
31	4-4104	SCREW, Hanger (2)
32	4-4139	NUT
33	4-4140	BAR, Band Support
34	4-4142	SCREW
35	4-4141	BAND, Tank
36	4-4150	CAP ASSM'Y.,Fuel (Includes items 37 thru 40)
37	4-4149	CAP, Fuel
38	4-4133	VALVE
39	4-4134	HOLDER
40	4-4135	GASKET



ITEM	PART NO.	DESCRIPTION
1	6-8025	SPARK PLUG (NGK:BM-6A)
2	4-4031	BOOT, Spark Plug
3	4-4030	BUSHING, Dust Seal
4	4-4033	COIL, Ignition (Includes items 6 & 8)
5	4-4034	BOLT (2)
6	4-4038	CLAMP
7	4-4039	BUSHING, Dust Seal
8	4-4046	BAND
9	4-4151	FLYWHEEL
10	4-4152	MTI Unit
11	4-4153	WIRE, Lead
12	4-4148	SCREW (2)
13	4-4127	CLIP, Fuel Tube (2)
14	4-4128	TUBE, Fuel
15	4-4129	PRIMER PUMP ASSM'Y. (Includes items 16 thru 23)
16	4-4090	CAP, Pump
17	4-4118	CAP, Rubber
18	4-4119	SEAT, Valve B
19	4-4120	GASKET
20	4-4121	SPONGE (2)
21	4-4122	BALL (2)
22	4-4123	SEAT, Valve A
23	4-4124	GASKET



MODEL 411SST TRIMMER



ACCESSORIES

PART NO.	DESCRIPTION
6-8061	VEST HARNESS & HANDLE BAR KIT
6-8019	10" DIA. 8 POINT BRUSH BLADE
6-8020	10" DIA. 80 TOOTH SAPLING BLADE
6-8011	TWIN LINE MANUAL FEED HEAD
6-8104	COMMERCIAL "FIXED LINE" CUTTING HEAD
6-0744	SNAPPER 2-CYCLE OIL - 6 Pack of 4 oz. Plastic Bottles (Use one 4 oz. Bottle per Gallon of Gasoline)

ALSO AVAILABLE IS SNAPPER PREMIUM QUALITY MONOFILAMENT LINE IN 50 FT., 1/2 LB., 1 LB., 3 LB., 5 LB., & 10 LB. PACKAGES.

SNAPPER POWER EQUIPMENT

McDonough, GA • 30253



Free Manuals Download Website

<http://myh66.com>

<http://usermanuals.us>

<http://www.somanuals.com>

<http://www.4manuals.cc>

<http://www.manual-lib.com>

<http://www.404manual.com>

<http://www.luxmanual.com>

<http://aubethermostatmanual.com>

Golf course search by state

<http://golfingnear.com>

Email search by domain

<http://emailbydomain.com>

Auto manuals search

<http://auto.somanuals.com>

TV manuals search

<http://tv.somanuals.com>