



# EthernetBlaster Communications Cable

---

## User Guide



101 Innovation Drive  
San Jose, CA 95134  
(408) 544-7000  
<http://www.altera.com>

**UG-120904-1.0**  
**P25-10326-00**

Document Version: 1.0  
Document Date: December 2004

Copyright © 2004 Altera Corporation. All rights reserved. Altera, The Programmable Solutions Company, the stylized Altera logo, specific device designations, and all other words and logos that are identified as trademarks and/or service marks are, unless noted otherwise, the trademarks and service marks of Altera Corporation in the U.S. and other countries. All other product or service names are the property of their respective holders. Altera products are protected under numerous U.S. and foreign patents and pending applications, maskwork rights, and copyrights. Altera warrants performance of its semiconductor products to current specifications in accordance with Altera's standard warranty, but reserves the right to make changes to any products and services at any time without notice. Altera assumes no responsibility or liability arising out of the application or use of any information, product, or service described herein except as expressly agreed to in writing by Altera Corporation. Altera customers are advised to obtain the latest version of device specifications before relying on any published information and before placing orders for products or services.



Printed on recycled paper



I.S. EN ISO 9001

## Chapter 1. About the EthernetBlaster Communications Cable

Introduction .....	1-1
Supported Devices .....	1-1
Power Requirements .....	1-2
Software Requirements .....	1-2
Connections .....	1-2
Static & Dynamic IP Addressing .....	1-4
Cable Setup .....	1-4
Remote Connection via Network Using Default Factory Settings .....	1-5
Direct Connection to a Computer Using Default Factory Settings .....	1-8
Configuring the EthernetBlaster Hardware to Use Static IP Addressing .....	1-11
Configuring the EthernetBlaster Hardware to Use Dynamic IP Addressing .....	1-12
Setting Up the EthernetBlaster Hardware in the Quartus II Software .....	1-13
Removing the EthernetBlaster Hardware from the Quartus II Software .....	1-15

## Chapter 2. EthernetBlaster Communications Cable Administration

Introduction .....	2-1
Managing Passwords .....	2-1
Changing the Administrative Password .....	2-2
Changing the Quartus II Remote Connection Password .....	2-3
Resetting the Hardware .....	2-4
Firmware Upgrade .....	2-5

## Chapter 3. EthernetBlaster Communications Cable Specifications

Overview .....	3-1
EthernetBlaster Hardware Connections .....	3-1
Voltage Requirements .....	3-1
EthernetBlaster Ethernet Jack Connection .....	3-2
EthernetBlaster Plug Connection .....	3-2
Circuit Board Header Connection .....	3-3
Operating Conditions .....	3-4
References .....	3-5
Revision History .....	3-6
How to Contact Altera .....	3-6



## Introduction

The EthernetBlaster communications cable connects to a standard Ethernet network port with an RJ-45 connector. This cable communicates with client systems using the TCP/IP protocol and supports both static and dynamic IP addressing. The EthernetBlaster communications cable can be plugged into an existing 10/100 Base-T Ethernet network to communicate with clients remotely or interfaced directly via a standard 10/100 Base-T Ethernet port using a crossover cable. Because design changes are downloaded directly to the device, prototyping is easy and you can accomplish multiple design iterations in quick succession. Harnessing the power of an Ethernet network, multiple users can remotely access Altera® devices, bringing a new level of productivity to prototyping and debugging.

## Supported Devices

You can use the EthernetBlaster communications cable to download configuration data to the following Altera devices:

- Stratix® series FPGAs
- Cyclone™ series FPGAs
- MAX® series CPLDs
- APEX™ series FPGAs
- ACEX® 1K FPGAs
- Mercury™ FPGAs
- FLEX® series FPGAs
- Excalibur™ FPGAs

You can perform in-system programming of the following devices:

- Advanced configuration devices, including EPC2, EPC4, EPC8, EPC16, and EPC1441 devices.
- Serial configuration devices, including EPCS1, EPCS4, EPCS16, and EPCS64 devices.

In addition, the EthernetBlaster communications cable supports target systems using 5.0-V TTL, 3.3-V LVTTTL/LVCMOS, and single-ended I/O standards from 3.3 V down to 1.5 V.

### Power Requirements

The EthernetBlaster communications cable requires between 1.5 V and 5.0 V from the target circuit board, and 12.0 VDC (0.875A) input power for the EthernetBlaster  $V_{CCSUPPLY}$  (a 12.0 VDC wall transformer is supplied).

The EthernetBlaster  $V_{CC(TARGET)}$  pin must be connected to the appropriate voltage for the device being programmed. The pull-up resistors on the target circuit board for the configuration/programming signals must be connected to the same power supply as the EthernetBlaster  $V_{CC(TARGET)}$ .

### Software Requirements

The EthernetBlaster communications cable is available on the Windows, UNIX, and Linux platforms, including the following:

- Windows NT 4.0
- Windows 2000
- Windows XP
- Solaris 2.6
- Solaris 2.7/7
- Solaris 8/9
- Red Hat Linux version 7.3
- Red Hat Linux version 8.0
- Red Hat Enterprise Linux WS 3.0
- HP-UX version 11.0

Use the Quartus® II software beginning with version 4.0 to configure your device. The EthernetBlaster communications cable also supports the following tools:

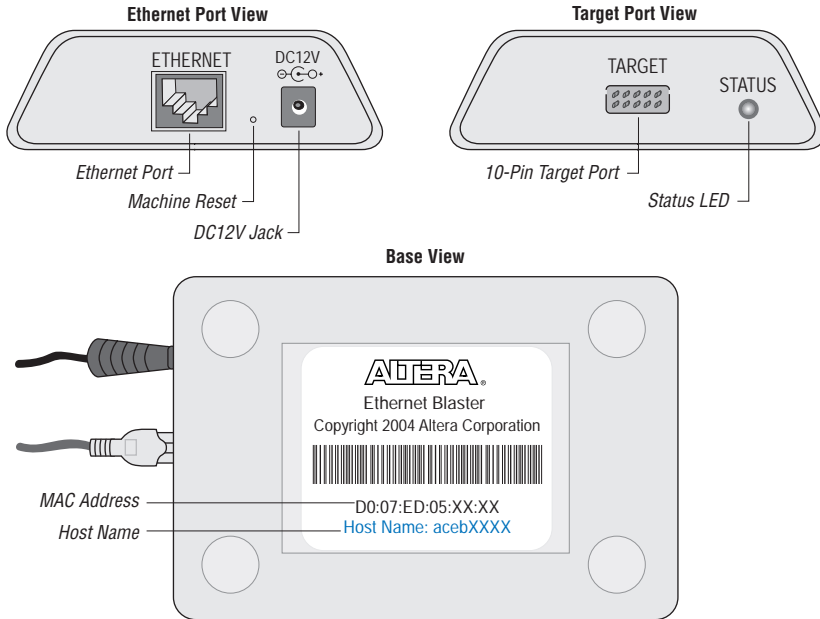
- Quartus II Programmer (for programming and configuration), which you can run within the Quartus II software or as a stand-alone version
- Quartus II SignalTap II Logic Analyzer (for logic analysis), which you can run within the Quartus II software or as a stand-alone version
- Nios® II IDE (for software downloading and debugging)
- Nios II IDE Flash Programmer (for programming Flash devices)

### Connections

The EthernetBlaster communications cable houses an Ethernet port on one side and a 10-pin female target port on the opposite side. The Ethernet port side contains an Ethernet port, a reset button, and a DC12V

jack. The target port side includes the 10-pin female target port and LED status light. The base of the cable includes the MAC address and host name. Figure 1-1 shows the side and base views of the hardware.

Figure 1-1. EthernetBlaster Communications Cable Ethernet Port, Target Port, and Base Views



The status LED on the target port side of the cable displays the operation status of the EthernetBlaster communications cable. See Table 1-1 for a description of each LED status modes.

Status LED	Status Description
Red-Green	Power on, reset
Green, blinking	Cable initialization
Green, steady	Cable ready
Blue, blinking	Downloading data to target printed circuit board

### Static & Dynamic IP Addressing

The EthernetBlaster communications cable supports both static IP and dynamic IP addressing, the latter by means of Dynamic Host Configuration Protocol (DHCP). By default, the EthernetBlaster cable is configured at the factory to use dynamic IP addressing. Upon power up, the cable attempts to obtain an IP address from your network DHCP server. The Status LED is green and blinking while the network address is being obtained and the cable is initializing. This process may take up to two minutes.

When an IP address is obtained and the cable is ready to use, the status LED emits a steady green light. If the attempt to obtain an IP address is unsuccessful (the DHCP server may be down or absent), the cable switches to static IP addressing. The default IP address is configured to 192.168.0.50. If static IP addressing is used, you must configure your computer to an IP address in the same subnet as the cable to communicate with it. The default setting requires your address to be in the 192.168.0.X network domain.

- 1 Refer to your operating system manual or contact your network administrator to verify that your network supports DHCP services and for instruction on how to change your IP address.

To maintain your computer's IP address and change the EthernetBlaster communications cable's default IP address, see ["Configuring the EthernetBlaster Hardware to Use Static IP Addressing"](#) on page 1-11.

The EthernetBlaster communications cable includes a self-hosted administrative web page, allowing you to configure various aspects of cable operation. The following section describes how to access this web page based on your mode of connection.

## Cable Setup

This section describes how to install and set up the EthernetBlaster communications cable for device configuration or programming including the following setups:

- Remote Connection via Network Using Default Factory Settings
- Direct Connection to a Computer Using Default Factory Settings
- Configuring the EthernetBlaster Hardware to Use Static IP Addressing
- Configuring the EthernetBlaster Hardware to Use Dynamic IP Addressing
- Setting Up the EthernetBlaster Hardware in the Quartus II Software
- Removing the EthernetBlaster Hardware from the Quartus II Software



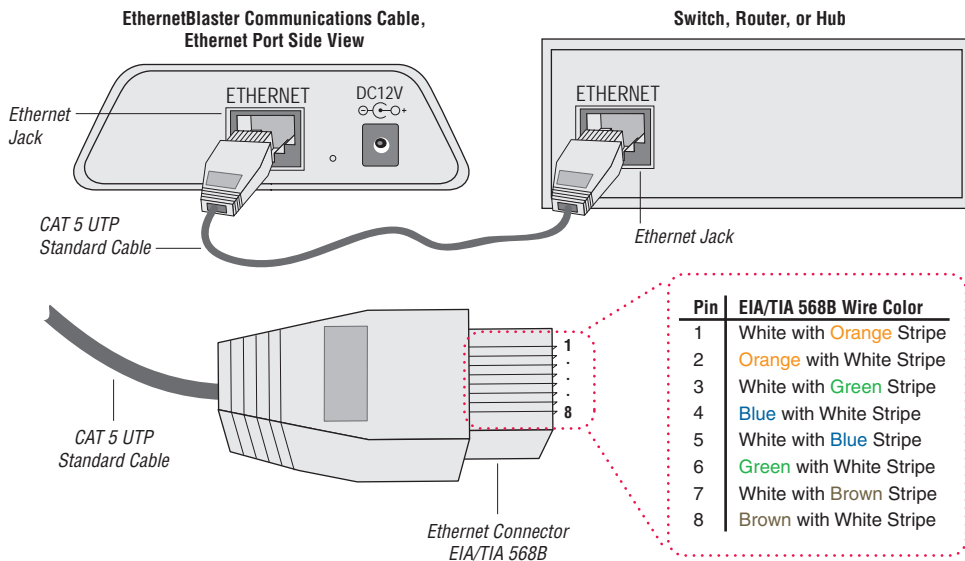
- 1 For plug and header dimensions, pin names, and operating conditions, see Chapter 3, "EthernetBlaster Communications Cable Specifications."

### Remote Connection via Network Using Default Factory Settings

Use the following steps to connect remotely to the EthernetBlaster communications cable:

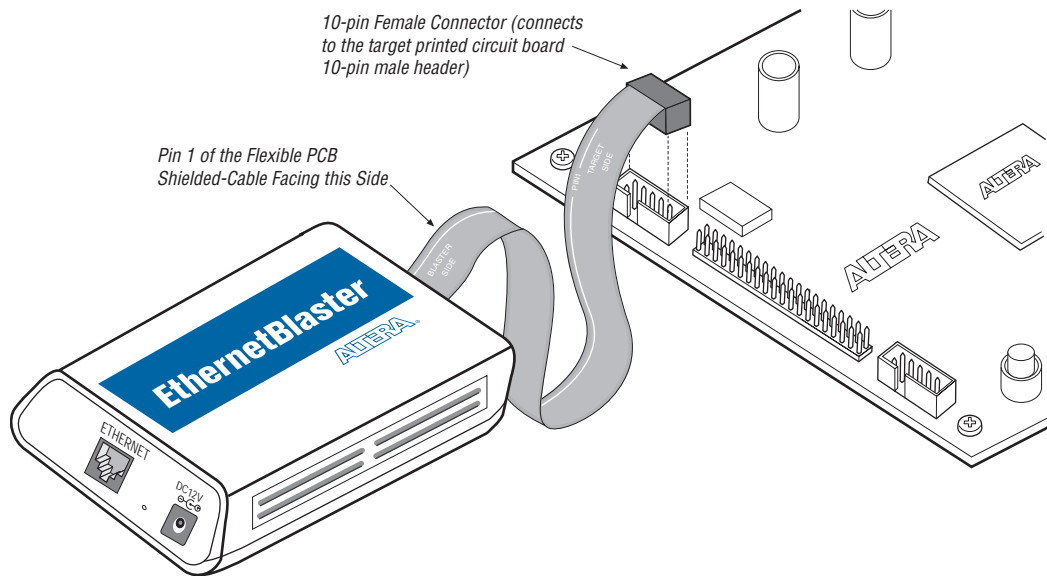
- 1 These steps assume no changes have been made to the default factory settings.
  1. Disconnect the power cable from the circuit board.
  2. Plug one end of a standard CAT 5 UTP 4-pair patch cable into the Ethernet jack on the EthernetBlaster communications cable, and the other end into a network port of a switch, router, or hub. See [Figure 1-2](#) below.

**Figure 1-2. Remote Connection via Network**



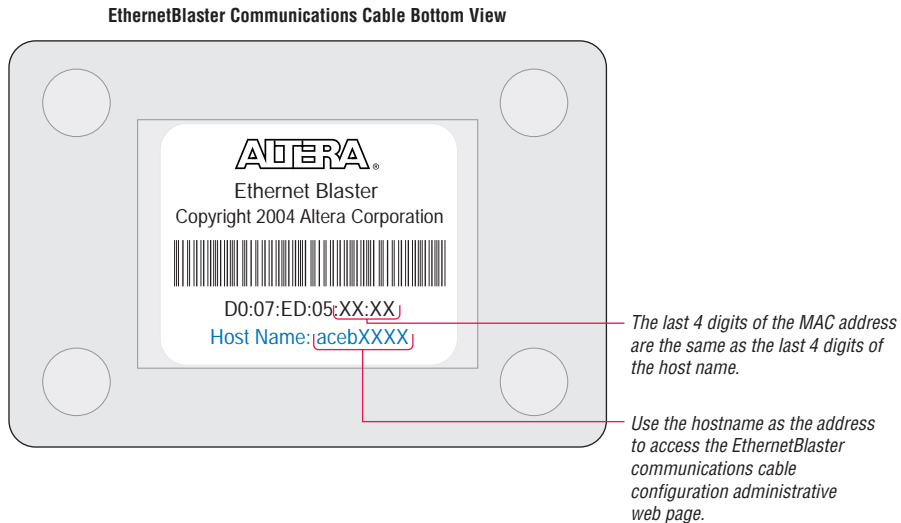
3. Connect the 10-pin female plug of the flexible, PCB-shielded cable labeled "BLASTER SIDE" to the 10-pin female target port on the Ethernet communications cable, and the 10-pin female plug of the cable labeled "TARGET SIDE" to the 10-pin male header on the target circuit board as shown in [Figure 1-3 on page 1-6](#).

**Figure 1–3. Connecting the EthernetBlaster Communications Cable to the Target Circuit Board**



4. Plug the supplied 12.0 VDC wall transformer into a power outlet and then into the EthernetBlaster communications cable.
  - 1 Always connect the network patch cable as instructed in step 2 before connecting the power cord. This allows the EthernetBlaster communications cable to obtain a DHCP address (if your network is configured to do so). Wait until the Status LED emits a steady green light.
5. Reconnect the power cable to the circuit board to reapply power.
6. If your network supports DHCP, see step 7 on the following page for configuration instructions. If your network does not support DHCP, see step 8 on the following page for configuration instructions.
7. If your network supports DHCP, you can access the **EthernetBlaster Configuration** administrative web page using a web browser with the hostname as the address. The hostname is located on the label on the base of the EthernetBlaster communications cable as shown in [Figure 1–4 on page 1–7](#).

**Figure 1–4. MAC Address & Host Name**



Browse to **http://<host name>** and specify the host name from the label on the base of your EthernetBlaster communications cable. The **EthernetBlaster login** window opens.

- 1 Note that the last 4 digits of the MAC address match the last 4 digits of the host name on the label on the base of your EthernetBlaster cable.

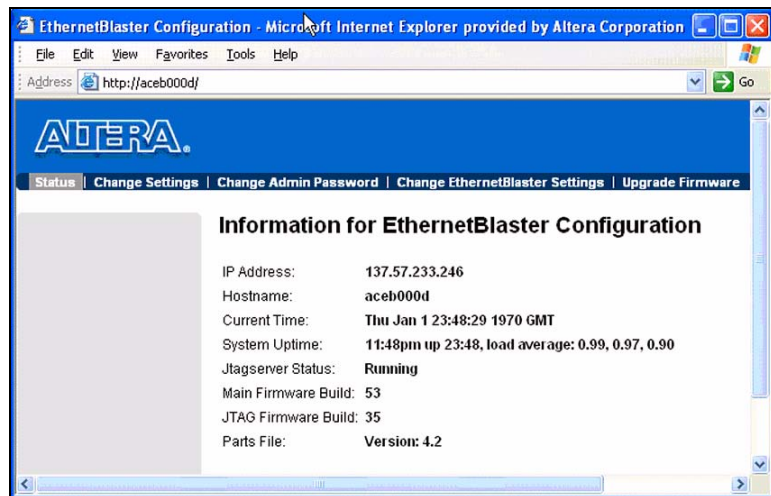
or

If you know the IP address obtained by the EthernetBlaster communications cable, you can access the administrative web page by entering this address in your browser.

- 1 See step 9 on the following page for system configuration details.
8. If your network does not support DHCP, you must configure your computer to an address in the **192.168.0.X** network domain, and then browse to **http://192.168.0.50**. See step 9 on the following page for system configuration details.
  - 1 Refer to your operating system manual or contact your network administrator for instruction on how to change your IP address.

- 1 To maintain your computer's IP address and change the EthernetBlaster communications cable default IP address, see [“Configuring the EthernetBlaster Hardware to Use Static IP Addressing”](#) on page 1–11.
9. In the **EthernetBlaster login** window, enter `admin` as the login and password as the default password. The **EthernetBlaster Status** page opens, displaying the status of your EthernetBlaster communications cable, including the current IP address. See [Figure 1–5](#).

**Figure 1–5. EthernetBlaster Configuration Administrative Page**



- 1 See Chapter 2, “Managing Passwords,” to manage your password after initial login.
10. Proceed to [“Setting Up the EthernetBlaster Hardware in the Quartus II Software”](#) on page 1–13 to set up your hardware in the Quartus II software.

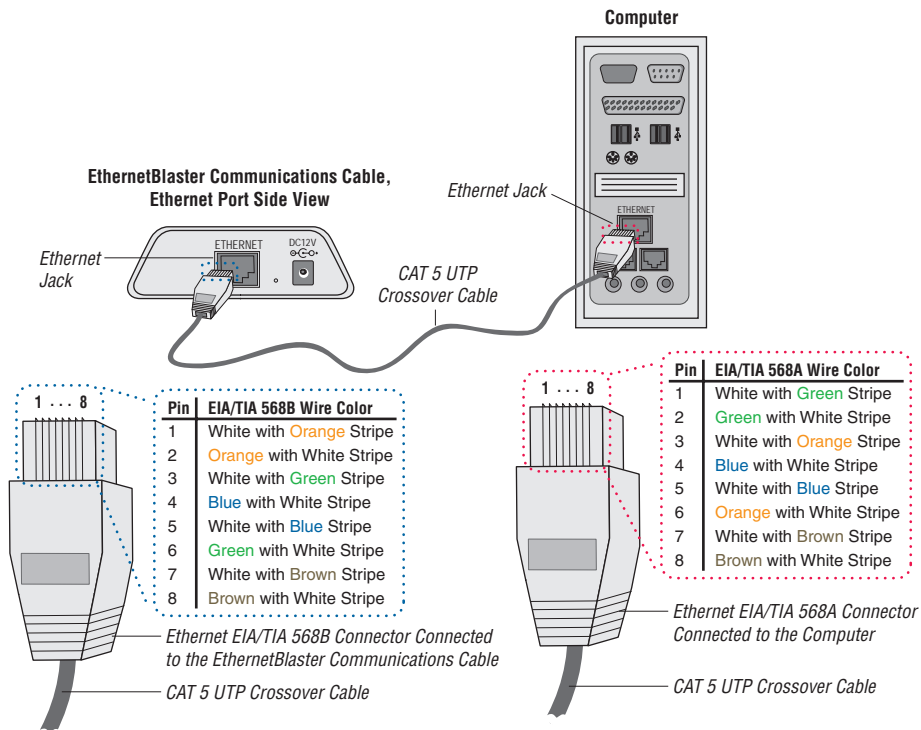
## Direct Connection to a Computer Using Default Factory Settings

The EthernetBlaster communications cable can be connected directly to the network port of a computer. This setup does not allow remote users to access the EthernetBlaster communications cable.

Use the following steps to connect the EthernetBlaster communications cable directly to your system:

1. These steps assume no changes have been made to the default factory settings.
  1. Disconnect the power cable from the circuit board.
  2. Plug the EIA/TIA 568B connector of a crossover CAT 5 UTP 4-pair patch cable into the Ethernet jack on the EthernetBlaster communications cable, and the EIA/TIA 568A connector into your computer. See Figure 1-6 below.

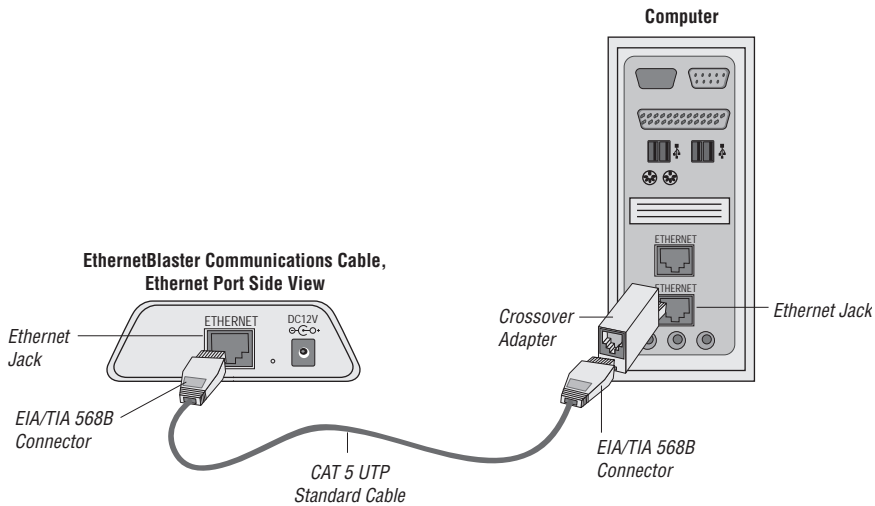
Figure 1-6. Direct Connection to a Computer Using a Crossover Cable



OR

Plug one end of a standard CAT5 UTP 4-pair patch cable into the Ethernet jack on the EthernetBlaster communications cable, and add a crossover adapter to the other end of the cable. Plug the adapter end of the cable into your computer. See Figure 1-7 on page 1-10.

**Figure 1–7. Direct Connection to a Computer Using a Standard Cable and a Crossover Adapter**



3. Connect the 10-pin female plug of the flexible, PCB-shielded cable labeled “BLASTER SIDE” to the 10-pin female target port on the Ethernet communications cable, and the 10-pin female plug of the cable labeled “TARGET SIDE” to the 10-pin male header on the target circuit board as shown in [Figure 1–3 on page 1–6](#).
4. Plug the supplied 12.0 VDC wall transformer into a power outlet and then into the EthernetBlaster communications cable.
5. Reconnect the power cable to the target circuit board to reapply power.
6. To access the **EthernetBlaster Status** web page, configure your computer to an address in the **192.168.0.X** network domain and then browse to **http://192.168.0.50**. The **EthernetBlaster login** window opens.
  - 1 Refer to your operating system manual or contact your network administrator for instruction on how to change your IP address.

To maintain your computer’s IP address and change the EthernetBlaster communications cable default IP address, see [“Configuring the EthernetBlaster Hardware to Use Static IP Addressing” on page 1–11](#).

7. In the **EthernetBlaster login** window, enter `admin` as the login and `password` as the default password. The **EthernetBlaster Status** page opens displaying the status of your EthernetBlaster communications cable including the current IP address. See [Figure 1-5](#).
  - 1 See Chapter 2, “Managing Passwords,” to manage your password after initial login.
8. To set up the EthernetBlaster communications cable in the Quartus II software, see [“Setting Up the EthernetBlaster Hardware in the Quartus II Software” on page 1-13](#).

### Configuring the EthernetBlaster Hardware to Use Static IP Addressing

By default, the EthernetBlaster communications cable is factory configured to use dynamic IP addressing.

- 1 Depending on your connection mode, this section assumes that you have completed the steps in [“Remote Connection via Network Using Default Factory Settings” on page 1-5](#), or [“Direct Connection to a Computer Using Default Factory Settings” on page 1-8](#).

To configure your cable to use static IP addressing and complete your remote connection, follow the directions below:

1. Open the **EthernetBlaster Status** page.
2. Click the **Change Settings** tab and select **Static IP** from the **Connection Type** menu. Enter the desired IP address and other appropriate data in the settings fields. See [Figure 1-8 on page 1-12](#).
  - 1 Contact your network administrator if you do not know the settings to complete the **Change Settings** page.

Figure 1–8. EthernetBlaster Change Settings Page

The screenshot shows a web browser window titled "EthernetBlaster Configuration - Microsoft Internet Explorer provided by Altera Corporation (M) Sdn Bhd". The address bar shows "http://jaceb0005/settings.html". The page has a blue header with the ALTERA logo and a navigation menu with links: Status, Change Settings (selected), Change Admin Password, Change EthernetBlaster Settings, and Upgrade Firmware. The main content area is titled "Change Settings" and contains the following form fields:

- Connection Type: Static IP (dropdown menu)
- Hostname: jaceb0005 (text input)
- Domain Name: (empty text input)
- Timeserver Name/IP: (empty text input)
- IP Address: 192 . 168 . 0 . 50 (four separate input boxes)
- Subnet Mask: 255 . 255 . 255 . 0 (four separate input boxes)
- Default Router: 192 . 168 . 0 . 1 (four separate input boxes)
- DNS Server 1: 0 . 0 . 0 . 0 (four separate input boxes)
- DNS Server 2: 0 . 0 . 0 . 0 (four separate input boxes)

At the bottom of the form are "Apply" and "Cancel" buttons. The footer of the page reads: "Copyright © 1995-2004 Altera Corporation, 101 Innovation Drive, San Jose, California 95134, USA".

3. Click **Apply**. The EthernetBlaster communications cable automatically restarts. When the status LED returns to a steady green state, the EthernetBlaster communications cable has successfully restarted and can now be added to the Quartus II software. See [“Setting Up the EthernetBlaster Hardware in the Quartus II Software”](#) on page 1–13.

## Configuring the EthernetBlaster Hardware to Use Dynamic IP Addressing

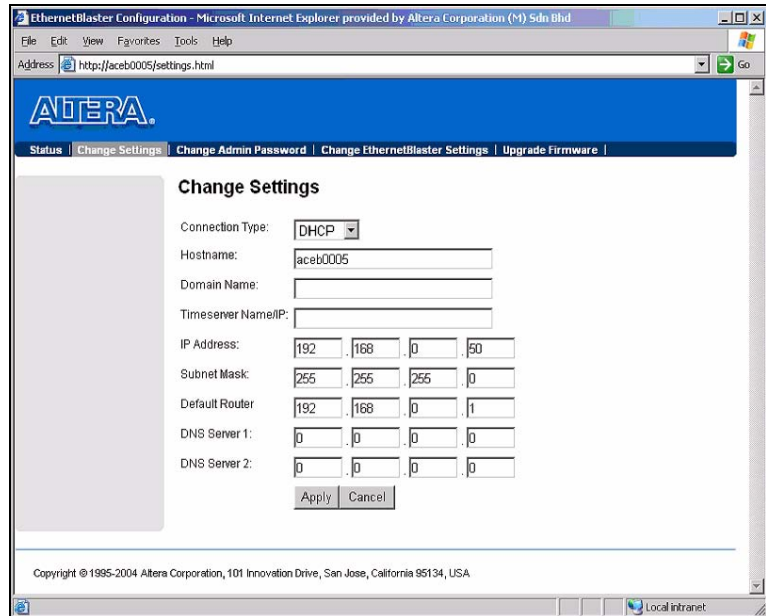
To configure the EthernetBlaster communications cable to use dynamic IP addressing, follow the directions below:

1. Depending on your connection mode, this section assumes that you have completed the steps in [“Remote Connection via Network Using Default Factory Settings”](#) on page 1–5, or [“Direct Connection to a Computer Using Default Factory Settings”](#) on page 1–8.
1. Open the **EthernetBlaster Status** page.



- Click the **Change Settings** tab and select **DHCP** from the **Connection Type** menu. See [Figure 1–8](#) below.

**Figure 1–9. EthernetBlaster Change Settings Page**



- Contact your network administrator if you do not know the settings to complete the **Change Settings** page.
- Click **Apply**. The EthernetBlaster communications cable automatically restarts. When the status LED returns to a steady green state, the EthernetBlaster communications cable has successfully restarted and can now be added to the Quartus II software. See [“Setting Up the EthernetBlaster Hardware in the Quartus II Software”](#) on page 1–13.

## Setting Up the EthernetBlaster Hardware in the Quartus II Software

Use the following steps to set up the EthernetBlaster communications cable in the Quartus II software.

- Start the Quartus II software.

2. Choose **Programmer** (Tools menu).
3. Click **Hardware Setup**. The **Hardware Settings** tab of the **Hardware Setup** dialog box is displayed.
4. Click **Add Hardware**. The **Add Hardware** dialog box is displayed. Select **EthernetBlaster** and click **Auto Detect**.

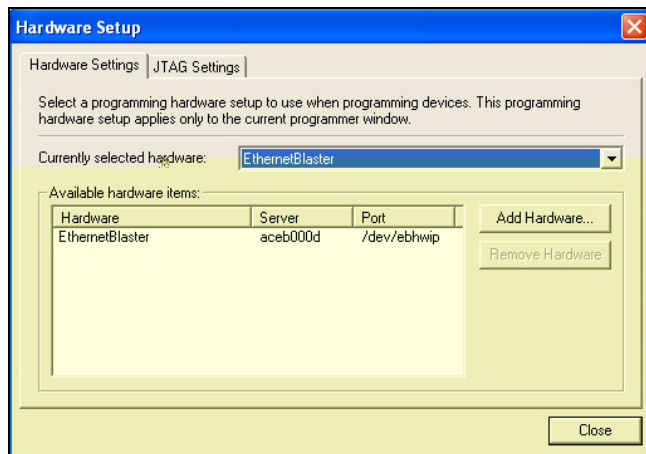
- 1 The server name list is automatically populated with the EthernetBlaster communications cable detected on your subnet if **Auto Detect** is selected. However, if the cable is not on your subnet, you must manually type the name or IP address of the EthernetBlaster cable in the **Server Name** field of the **Add Hardware** dialog box.

If you are using a direct connection to your computer, type 192.168.0.50 in the **Server Name** field.

5. Type the server password in the **Server password** field (“password” is the factory default), and click **OK**.
6. **EthernetBlaster** is now visible in the **Available hardware** items list of the **Hardware Setup** dialog box, as shown in [Figure 1–10](#) below.

---

**Figure 1–10. Hardware Setup Dialog Box**



7. Click **Close** to close the **Hardware Setup** dialog box.

8. In the **Mode** list, select the desired mode (Programmer window). [Table 1-2](#) describes each mode.

- 1 The EthernetBlaster communications cable supports the Joint Test Action Group (JTAG), Passive Serial Programming, and Active Serial modes.

**Table 1-2. Programming Modes**

Mode	Mode Description
Joint Test Action Group (JTAG)	Programs or configures all Altera devices supported by the Quartus II software, excluding FLEX 6000 devices.
In-Socket Programming	Not supported by the EthernetBlaster cable.
Passive Serial Programming	Configures all Altera devices supported by the Quartus II software, excluding the following devices: MAX 3000 and MAX 7000 devices, advanced configuration devices, and serial configuration devices.
Active Serial Programming	Programs a single EPCS1, EPCS4, EPCS16, or EPCS64 serial configuration device.

## Removing the EthernetBlaster Hardware from the Quartus II Software

Changes to the EthernetBlaster communications cable setup, including password change and IP addressing mode change, necessitate removal of the cable from the Quartus II Programmer Hardware setup on client systems, followed by adding the cable back into the Quartus II Programmer Hardware setup. To remove the EthernetBlaster communications cable from the Quartus II Programmer hardware setup, follow the instructions below.

1. Start the Quartus II software.
2. Choose **Programmer** (Tools menu).
3. Click **Hardware Setup**. The **Hardware Settings** tab of the **Hardware Setup** dialog box is displayed.
4. Click **JTAG Settings**. The **JTAG Settings** dialog box is displayed. Select the corresponding hostname or IP address of the EthernetBlaster hardware to remove. Click **Remove Server**.

- 1 See “Setting Up the EthernetBlaster Hardware in the Quartus II Software” on page 1–13 for instructions to add the EthernetBlaster communications cable back into the Quartus II Programmer Hardware setup.

f For details about programming devices and creating secondary programming files, see the “Programming & Configuration” chapter of the *Introduction to Quartus II Manual*.

For further information, see the Programming module of the Quartus II online tutorial.

For further information, refer to the following topics in the Quartus II online Help:

- Changing the Hardware Setup
- Programmer Introduction
- Overview: Working with Chain Description Files
- Overview: Converting Programming Files



## Chapter 2. EthernetBlaster Communications Cable Administration

### Introduction

This chapter describes how to administer your EthernetBlaster communications cable:

- Managing Passwords
  - Changing the Administrative Password
  - Changing the Quartus® II Remote Connection Password
- Resetting the Hardware
- Firmware Upgrade

### Managing Passwords

Networking allows multiple users in both remote and local locations to use the EthernetBlaster communications cable, increasing the productivity in prototyping and debugging. However, because of this flexibility, it is necessary to limit and control user access using the provided password service in the EthernetBlaster communications cable setup.

The EthernetBlaster communications cable contains two types of passwords, an administrative password and a Quartus II remote connection password.

The administrative password is the master password used to enter the EthernetBlaster administrative web page. If you know the administrative password you have full control of settings and the ability to modify both the administrative password and the Quartus II remote connection password.

The Quartus II remote connection password enables clients to add the EthernetBlaster hardware to their Quartus II Programmer hardware setup. This password is used to control who has access to the EthernetBlaster communications cable. However, they do not have access to the EthernetBlaster administrative web page and cannot modify the settings or change passwords.

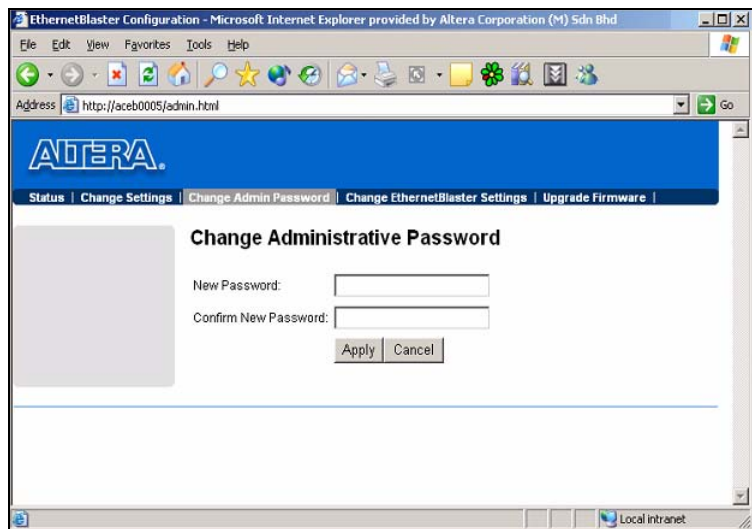
- 1 When you change the Quartus II remote connection password, client systems using the EthernetBlaster communications cable must remove the hardware from their Quartus II Programmer hardware setup. See Chapter 1, “Removing the EthernetBlaster Hardware from the Quartus II Software Programmer Hardware Setup” for details. The hardware then needs to be added back into the Quartus II software. See Chapter 1, “Setting Up the EthernetBlaster Hardware in the Quartus II Software” for details.

### Changing the Administrative Password

To change the administrative password, follow the directions below:

1. Open and log into the EthernetBlaster administrative web page in your browser.
  - 1 See Chapter 1, “Setup,” for instructions on accessing the administrative web page using your specific connection.
2. Click the **Change Admin Password** tab. See [Figure 2-1](#) below.

**Figure 2-1. Change Admin Password Page**



3. Enter the new administrative password in the **New Password** field and again in the **Confirm New Password** field. Click **Apply**.

The new password takes effect immediately when logging back into the administrative web page.

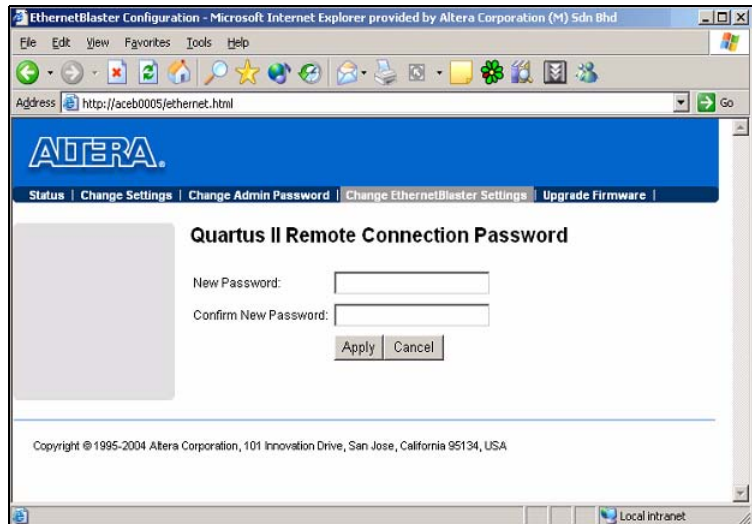
- 1 The EthernetBlaster communications cable does not restart when the administrative password is reset.

### Changing the Quartus II Remote Connection Password

To change the Quartus II remote connection password, follow the directions below:

1. Open and log into the EthernetBlaster administrative web page in your browser.
  - 1 See Chapter 1, "Setup," for instructions on accessing the administrative web page using your specific connection.
2. Click the **Change EthernetBlaster Settings** tab. See [Figure 2-2](#) below.

**Figure 2-2. Change Quartus II Remote Connection Password Page**



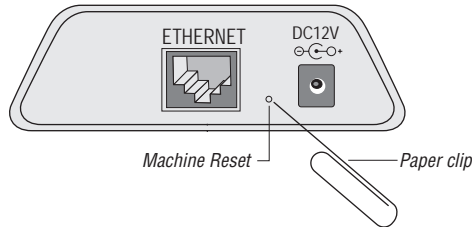
3. Enter the new Quartus II remote connection password in the **New Password** field and again in the **Confirm New Password** field. Click **Apply**.

The EthernetBlaster communications cable restarts. When the status LED emits a steady green light, the EthernetBlaster has successfully reset and the new password is effective.

## Resetting the Hardware

The EthernetBlaster communications cable reset button is located on the Ethernet port side of the hardware. See [Figure 2-3](#).

**Figure 2-3. Machine Reset button**



Use a small pointed object such as a paper clip to press the machine reset button to restart and reset all values to the default factory settings. See [Table 2-1](#) for a list of factory default settings.

**Table 2-1. Default Factory Settings**

Setting	Value
Connection Type	DHCP
Host name	acebXXXX (1)
Domain name	Clear
Timeserver Name/IP	Clear
IP Address	192.168.0.50
Subnet Mask	255.255.255.0
Default Router	192.168.0.1
DNS Server 1	0.0.0.0
DNS Server 2	0.0.0.0
Administrative Password	password
Quartus II Remote Connection Password	password

**Note:**

- (1) The host name and MAC address are located on the label on the base of your cable. The last 4 digits of the MAC address represent the "XXXX" in the host name.



- 1 When the EthernetBlaster is reset, existing client systems using passwords other than the factory default must remove the EthernetBlaster hardware from their Quartus II Programmer Hardware Setup. See Chapter 1, “Removing the EthernetBlaster Hardware from the Quartus II Software Programmer Hardware Setup” for instructions on removal of the EthernetBlaster hardware. The hardware then needs to be added back into the Quartus II software. See Chapter 1, “Setting Up the EthernetBlaster Hardware in the Quartus II Software” for details.

## Firmware Upgrade

The EthernetBlaster communications cable has been designed to enable remote firmware upgrade when a new version of firmware is available from Altera Corporation. New firmware may contain enhanced features, better performance, or bug fixes.

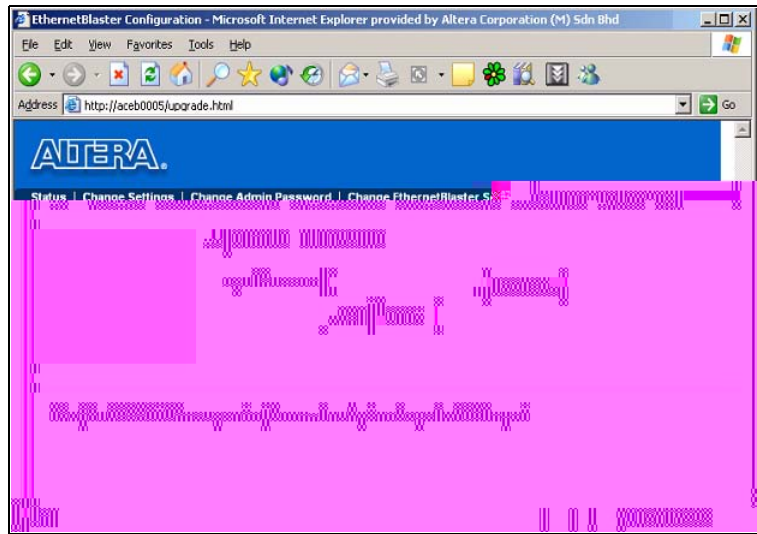
- C Do not turn off the EthernetBlaster communications cable power when performing the firmware upgrade or severe damage will occur.

Firmware upgrades are included in Quartus II releases. Firmware upgrades and GPL source code updates are also available on the Altera website. For details, go to [www.altera.com/ethernetblaster](http://www.altera.com/ethernetblaster).

To upgrade the EthernetBlaster communications firmware, follow the directions below.

1. Open and log into the **EthernetBlaster Configuration** administrative web page in your browser.
  - 1 See Chapter 1, “Setup” for instructions on accessing the administrative web page using your specific connection.
2. Click the **Upgrade Firmware** tab. See [Figure 2-4 on page 2-6](#).

Figure 2-4. Upgrade Firmware Page



3. Click **Browse** and then locate and select the firmware file on your system. Click **Apply**.

The EthernetBlaster communications cable restarts automatically after the firmware has been successfully upgraded. When the status LED returns to a steady green state, the EthernetBlaster communications cable has restarted successfully.



# Chapter 3. EthernetBlaster Communications Cable Specifications

## Overview

This chapter provides comprehensive information about the EthernetBlaster communications cable, including the following:

- EthernetBlaster hardware connections
- Operating conditions

## EthernetBlaster Hardware Connections

The EthernetBlaster cable connects to an Ethernet cable with a RJ45 jack to a 10/100Base-T Ethernet hub/switch (via a straight 8-wire data cable) or a 10/100Base-T Ethernet port of a PC (via a crossover data cable). Depending on your connection (remote or direct), data is downloaded through the EthernetBlaster communications cable to the circuit board via the connections discussed in this section.

### Voltage Requirements

The EthernetBlaster VCC (TARGET) pin must be connected to a specific voltage for the device being programmed. Connect pull-up resistors to the same power supply as the EthernetBlaster V<sub>CC(TARGET)</sub>. See [Table 3-1](#).

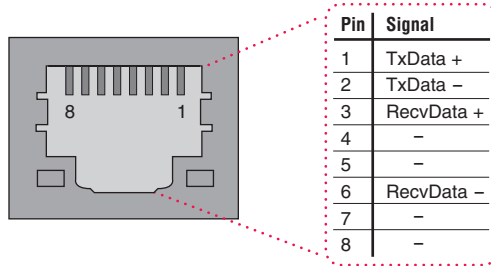
**Table 3-1. EthernetBlaster V<sub>CC(TARGET)</sub> Pin Voltage Requirements**

Device Family	EthernetBlaster VCC Voltage Required
MAX <sup>®</sup> II devices	As specified by V <sub>CCIO</sub> of Bank 1
MAX 7000S devices	5 V
MAX 7000AE and MAX 3000A devices	3.3 V
MAX 7000B devices	2.5 V
Stratix <sup>®</sup> II, Stratix GX, and Stratix devices	As specified by V <sub>CCSEL</sub>
Cyclone <sup>™</sup> II, Cyclone, APEX <sup>™</sup> II, APEX 20K, and Mercury <sup>™</sup> devices	As specified by V <sub>CCIO</sub>
FLEX 10K <sup>®</sup> , FLEX <sup>®</sup> 8000, and FLEX 6000 devices	5 V
FLEX 10KE devices	2.5 V
FLEX 10KA and FLEX 6000A devices	3.3 V
EPC2 devices	5 V or 3.3 V
EPC4, EPC8, and EPC16 devices	3.3 V
EPCS1, EPCS4, EPCS16, and EPCS64 devices	3.3 V

### EthernetBlaster Ethernet Jack Connection

The Ethernet cable Ethernet jack connects to the EthernetBlaster communications cable Ethernet port. The Ethernet jack pin number designations are shown in Figure 3-1 below.

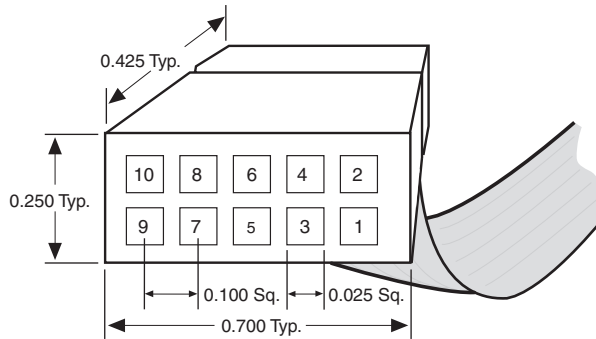
**Figure 3-1. Ethernet Jack Pin Number Designations**



### EthernetBlaster Plug Connection

The 10-pin female plug connects to a 10-pin male header on the circuit board containing the target device. See Figure 3-2.

**Figure 3-2. EthernetBlaster 10-Pin Female Target-Side Plug Dimensions**



Dimensions are shown in inches. Spacing between pin centers is 0.1 inches.

Table 3–2 identifies the 10-pin female plug pin names and the corresponding programming mode.

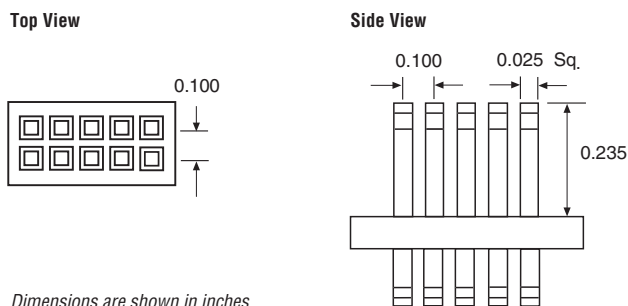
Pin	AS Mode		PS Mode		JTAG Mode	
	Signal Name	Description	Signal Name	Description	Signal Name	Description
1	DCLK	Clock signal	DCLK	Clock signal	TCK	Clock signal
2	GND	Signal ground	GND	Signal ground	GND	Signal ground
3	CONF_DONE	Configuration done	CONF_DONE	Configuration done	TDO	Data from device
4	VCC (TARGET)	Target power supply	VCC (TARGET)	Target power supply	VCC (TARGET)	Target power supply
5	nCONFIG	Configuration control	nCONFIG	Configuration control	TMS	JTAG state machine control
6	nCE	Cyclone chip enable	–	No connect	–	No connect
7	DATAOUT	Active serial data out	nSTATUS	Configuration status	–	No connect
8	nCS	Serial configuration device chip select	–	No connect	–	No connect
9	ASDI	Active serial data in	DATA0	Data to device	TDI	Data to device
10	GND	Signal ground	GND	Signal ground	GND	Signal ground

- 1 The circuit board must supply  $V_{CC(TARGET)}$  and ground to the EthernetBlaster cable for the I/O drivers.

### Circuit Board Header Connection

The circuit board's 10-pin male header, which connects to the EthernetBlaster cable's 10-pin female plug, has two rows of five pins. These pins are connected to the device's programming or configuration pins. [Figure 3–3 on page 4](#) shows the dimensions of a typical 10-pin male header.

**Figure 3–3. 10-Pin Male Header Dimensions**



Dimensions are shown in inches.

## Operating Conditions

Tables 3–3 through 3–5 summarize the maximum ratings, recommended operating conditions, and DC operating conditions for the cable.

**Table 3–3. EthernetBlaster Cable Absolute Maximum Ratings**

Symbol	Parameter	Conditions	Min	Max	Unit
$V_{CC(TARGET)}$	Target supply voltage	With respect to ground	–0.3	5.5	V
$V_{CC(SYS)}$	System supply voltage	With respect to ground	–0.5	14.0	V
$I_i$	Input current	TDO or dataout	–10.0	10.0	mA
$I_o$	Output current	TCK, TMS, TDI, nCS, nCE	–10.0	10.0	mA

**Table 3–4. EthernetBlaster Cable Recommended Operating Conditions**

Symbol	Parameter	Conditions	Min	Max	Unit
$V_{CC(TARGET)}$	Target supply voltage, 5.0-V operation		4.75	5.25	V
	Target supply voltage, 3.3-V operation		3.0	3.6	V
	Target supply voltage, 2.5-V operation		2.375	2.625	V
	Target supply voltage, 1.8-V operation		1.71	1.89	V
	Target supply voltage, 1.5-V operation		1.43	1.57	V

**Table 3–5. EthernetBlaster Cable DC Operating Conditions**

Symbol	Parameter	Conditions	Min	Max	Unit
V <sub>IH</sub>	High-level input voltage	V <sub>CC(TARGET)</sub> < or = 3.3 V	V <sub>CC(TARGET)</sub> – 0.2		V
	High-level input voltage	V <sub>CC(TARGET)</sub> > 3.3 V	3.1		V
V <sub>IL</sub>	Low-level input voltage			0.15	V
V <sub>OH</sub>	5.0-V high-level output voltage	V <sub>CC(TARGET)</sub> = 4.5 V, I <sub>OH</sub> = 20 μA	3.3		V
	3.3-V high-level output voltage	V <sub>CC(TARGET)</sub> = 3.0 V, I <sub>OH</sub> = 20 μA	2.0		V
	2.5-V high-level output voltage	V <sub>CC(TARGET)</sub> = 2.375 V, I <sub>OH</sub> = 20 μA	1.6		V
	1.8-V high-level output voltage	V <sub>CC(TARGET)</sub> = 1.71 V, I <sub>OH</sub> = 20 μA	1.15		V
	1.5-V high-level output voltage	V <sub>CC(TARGET)</sub> = 1.43 V, I <sub>OH</sub> = 20 μA	0.95		V
V <sub>OL</sub>	5.0-V low-level output voltage	V <sub>CC(TARGET)</sub> = 5.5 V, I <sub>OL</sub> = 1 mA		0.4	V
	3.3-V low-level output voltage	V <sub>CC(TARGET)</sub> = 3.6 V, I <sub>OL</sub> = 1 mA		0.4	V
	2.5-V low-level output voltage	V <sub>CC(TARGET)</sub> = 2.625 V, I <sub>OL</sub> = 1 mA		0.4	V
	1.8-V low-level output voltage	V <sub>CC(TARGET)</sub> = 1.89 V, I <sub>OL</sub> = 1 mA		0.4	V
	1.5-V low-level output voltage	V <sub>CC(TARGET)</sub> = 1.57 V, I <sub>OL</sub> = 1 mA		0.4	V
I <sub>CC(SYS)</sub>	Operating current (No Load)	Typical I <sub>CC(SYS)</sub> = 350mA @ V <sub>CC(SYS)</sub> = 12V		700	mA

## References

For more information on configuration and in-system programmability (ISP), see the following sources:

- *AN 39: IEEE 1149.1 (JTAG) Boundary-Scan Testing in Altera Devices*
- *AN 95: In-System Programmability in MAX Devices*
- “Configuring Cyclone FPGAs” chapter in the *Cyclone Device Handbook*
- “Configuring Cyclone II Devices” chapter in the *Cyclone II Device Handbook*
- “Configuring Stratix II Devices” chapter in Volume 2 of the *Stratix II Device Handbook*
- “Configuring Stratix and Stratix GX Devices” chapter in the *Stratix Device Handbook*
- “In-System Programmability Guidelines for MAX II Devices” chapter in the *MAX II Device Handbook*
- *Serial Configuration Devices Data Sheet*
- “Programming & Configuration” chapter in the *Introduction to Quartus II* manual
- The Programming module of the Quartus II online tutorial
- Refer to the following glossary definitions in Quartus II Help:
  - “EthernetBlaster Cable” (general description)
  - “Configuration scheme” (general description)
  - “Programming files” (general description)

- Refer to the following procedures in Quartus II Help:
  - Programming a Single Device or Multiple Devices in JTAG or Passive Serial Mode
  - Programming a Single Device in Active Serial Programming Mode
  - Selecting the Communications Cable for the SignalTap II Logic Analyzer
- Refer to the following introduction and overview topics in Quartus® II Help:
  - Programmer Introduction
  - Overview: Working with Chain Description Files
  - Overview: Converting Programming Files

## Revision History

The table below shows the revision history of this user guide.

Chapter	Date	Version	Changes Made
All	December 2004	1.0	Initial release

## How to Contact Altera

For the most up-to-date information about Altera products, go to the Altera world-wide web site at [www.altera.com](http://www.altera.com). For technical support on this product, go to [www.altera.com/mysupport](http://www.altera.com/mysupport). For additional information about Altera products, consult the sources shown below.

Information Type	USA & Canada	All Other Locations
Technical support	<a href="http://www.altera.com/mysupport/">www.altera.com/mysupport/</a>	<a href="http://www.altera.com/mysupport/">www.altera.com/mysupport/</a>
	(800) 800-EPLD (3753) (7:00 a.m. to 5:00 p.m. Pacific Time)	(408) 544-7000 (1) (7:00 a.m. to 5:00 p.m. Pacific Time)
Product literature	<a href="http://www.altera.com">www.altera.com</a>	<a href="http://www.altera.com">www.altera.com</a>
Altera literature services	<a href="mailto:lit_req@altera.com">lit_req@altera.com</a> (1)	<a href="mailto:lit_req@altera.com">lit_req@altera.com</a> (1)
Non-technical customer service	(800) 767-3753 (7:00 a.m. to 5:00 p.m. Pacific Time)	(408) 544-7000 (7:00 a.m. to 5:00 p.m. Pacific Time)
FTP site	<a href="ftp://ftp.altera.com">ftp.altera.com</a>	<a href="ftp://ftp.altera.com">ftp.altera.com</a>

**Note:**

(1) You can also contact your local Altera sales office or sales representative.



## Free Manuals Download Website

<http://myh66.com>

<http://usermanuals.us>

<http://www.somanuals.com>

<http://www.4manuals.cc>

<http://www.manual-lib.com>

<http://www.404manual.com>

<http://www.luxmanual.com>

<http://aubethermostatmanual.com>

Golf course search by state

<http://golfingnear.com>

Email search by domain

<http://emailbydomain.com>

Auto manuals search

<http://auto.somanuals.com>

TV manuals search

<http://tv.somanuals.com>