



PERSONAL OSCILLATING REFLECTIVE HEATER

Model MS-12 USER MANUAL



PLEASE SAVE THESE INSTRUCTIONS

WARNING: READ THIS OWNER'S MANUAL CAREFULLY BEFORE USE.

PERSONAL OSCILLATING REFLECTIVE HEATER

Product Information

Reflective heating technology warms like the sun, directly warming the person or object in front of it. As surface temperatures rise above the air temperature, they in turn warm the air. Reflective heaters are great for open or large rooms, and actually save you energy by warming objects and not the entire room.

Reflective heating is both safe and healthy– it produces no odors, chemicals, or fumes, and doesn't stir up dust. The surface of our heater is created from high-temperature resistant plastic and steel plate, which never becomes hot enough to burn anyone or anything that comes in contact with it. Our heater also produces beneficial bio-energy heat, which is commonly prescribed by doctors for cell regeneration and promoting circulation. Equipped with safety tip-over switch and overheat auto-off, our heater is safe and reliable.

Special Features

- Heats instantly
- Safety tip-over switch
- Overheat auto-off
- Two heat settings
- Motorized oscillation
- Silent operation
- Energy efficient
- Non-flammable surface
- Produces bio-energy heat
- Excellent for spot heating
- Doesn't burn oxygen

Specifications

Voltage Rating	115 V, 60Hz
Power Consumption	900W
Unit Size	13.75“(L)x 14”(H)x 6.5“(W)
Unit Weight	4.5 lbs

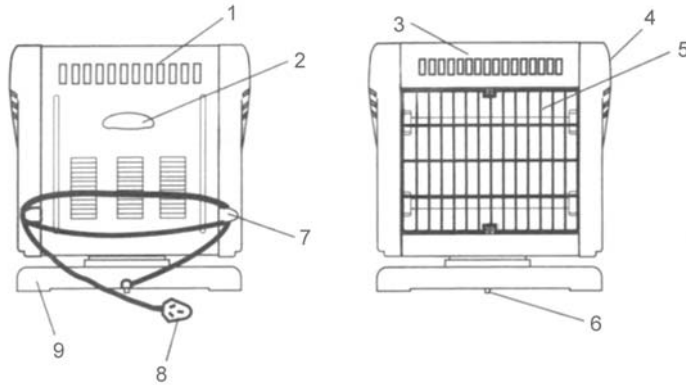
IMPORTANT INSTRUCTIONS

When using this electric unit, basic safety precautions should always be followed to reduce the risk of fire, electric shock and injury to persons, including the following:

1. Read all instructions before using this unit.
2. **CAUTION:** risk of electric shock. Do not open or try to repair the heater yourself.
3. This heater is hot when in use. To avoid burns, do not let bare skin touch hot surfaces. If provided, use handles when moving this heater. Keep combustible materials, such as furniture, pillows, bedding, paper, clothes, and curtains at least 3 ft (0.9 mm) from the front of the heater and keep them away from the sides and rear.
4. Extreme caution is necessary when any heater is used by or near children or invalids and whenever the heater is left operating and unattended.
5. Always unplug heater when not in use.
6. Do not operate any heater with a damaged cord or plug or after the heater malfunctions, has been dropped or damaged in any manner. Return heater to authorized service facility for examination, electrical or mechanical adjustment, or repair.
7. This heater is not intended for use in bathrooms, laundry areas and similar indoor locations. Never locate heater where it may fall into a bathtub or other water container.
8. Do not run cord under carpeting. Do not cover cord with throw rugs, runners, or similar coverings. Arrange cord away from traffic area and where it will not be tripped over.
9. To disconnect heater, turn controls to off, then remove plug from outlet.
10. Do not insert or allow foreign objects to enter any ventilation or exhaust openings as this may cause an electric shock or fire, or damage the heater.
11. To prevent a possible fire, do not block air intakes or exhaust in any manner. Do not use on soft surfaces, like a bed, where openings may become blocked.
12. A heater has hot and arcing or sparking parts inside. Do not use it in areas where gasoline, paint, or flammable liquids are used or stored.
13. Avoid the use of an extension cord because the extension cord may overheat and cause a risk of fire. However, if you have to use an extension cord, the cord shall be No.16 AWG minimum size and rated not less than 1250watts.
14. To avoid fire or shock hazard, plug the unit directly into a 115 V AC electrical outlet.
15. Keep the cord out of heavy traffic areas. **DO NOT** let the cord hang over the edge of a table or counter. To avoid fire hazard, **NEVER** put the cord under rugs, near heat registers, radiator, stove, or heaters.
16. To protect against electrical hazards, **DO NOT** immerse in water or other liquids. Do not use near water.
17. Always unplug the unit before moving or cleaning, or whenever the heater is not in use. Be sure to pull by the plug and not the cord.
18. Avoid contact with reflective tubes. **DO NOT** operate without front grille properly in place.
19. **DO NOT** operate in the presence of explosive and/or flammable fumes.
20. Use only for intended household use as described in this manual. Any other use not recommended by the manufacturer may cause fire, electric shock, or injury to persons. The use of attachments not recommended or sold by unauthorized dealers may cause hazards.
21. **DO NOT** use outdoors.
22. Always use on a dry, level surface.
23. Keep unit away from heated surfaces and open flames.
24. **WARNING:** To reduce the risk of fire or electric shock, **DO NOT** use this unit with any solid-state speed control device.
25. **DO NOT** attempt to repair or adjust any electrical or mechanical functions on this unit. Doing so will void your warranty. The inside of the unit contains no user serviceable parts. Qualified personnel should perform all servicing only.

SAVE THESE INSTRUCTIONS

Product Diagram



- | | |
|----------------------|---------------------------|
| 1) Air Outflow | 6) Tip-over Safety Switch |
| 2) Carrying Handle | 7) Cord Wrap-around |
| 3) Air Outflow | 8) Power Supply Cord |
| 4) Power Knob | 9) Base |
| 5) Protective Grille | |

Operating Instructions

No assembly required.

- 1) Remove the heater from the box and place on a level surface. Plug the unit into a grounded 115V 60Hz power outlet.
- 2) Turn the knob clockwise to the "LOW" setting. The lower reflective tube works and input power is 450W (the heater will not oscillate). On the "HIGH" setting, both reflective tubes work and the input power is 900W.
- 3) Turn the knob to "SWING," and the heater will start oscillating as both reflective tubes work.
- 4) At "Off," the heater stops running. Unplug the heater when not in use.

Important Safeguards

- 1) Do not install the unit directly under a power outlet.
- 2) Do not share the power outlet with other appliances.
- 3) Do not use an adapter or extension cord.
- 4) Unplug the unit when not in use for a prolonged period.

Maintenance

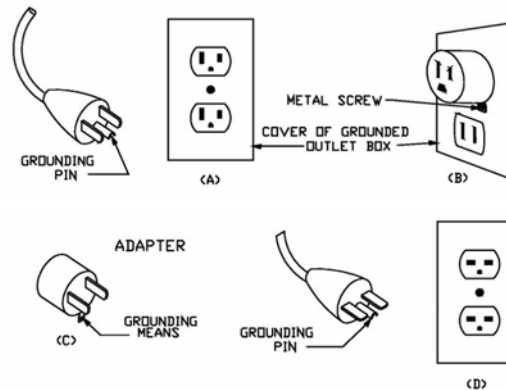
- 1) Unplug the unit and let it cool.
- 2) Use a warm, damp cloth and mild cleanser to clean the unit. Make sure that the cleanser used is plastic safe. Wait until the unit is completely dry before use.

Troubleshooting

HEATER WILL NOT WORK

- 1) Check if the power cord is plugged into an electrical outlet, if not, plug in.
- 2) Check if electricity to the main fuse is working.
- 3) Check if the power knob is turned to "OFF," if so, turn to "LOW," "HIGH," or "SWING."
- 4) Check if the heater is on a level surface. If the tip-over safety switch is not pushed in, the heater will not run.

Grounding Instructions



This heater is for use on 115 volts. The cord has a plug as shown in A. An adapter as shown in C is available for connecting three-blade grounding-type plugs to two-slot receptacles. The grounding lug extending from the adapter must be connected to a permanent ground such as a properly grounded outlet box. The adapter should not be used if a three-slot grounded receptacle is available.

WARRANTY

One Year Limited Warranty

Soleus International Inc. warrants the accompanying Soleus Air MS-12 to be free of defects in material and workmanship for the applications specified in its operation instruction for a period of ONE (1) year from the date of original retail purchase in the United States or Canada.

If the heater exhibits a defect in normal use, Soleus International Inc. will, at its option, either repair or replace it, free of charge within a reasonable time after the heater is returned during the warranty period.

As a condition to any warranty service obligation, the consumer must present this Warranty Certificate along with a copy of the original purchase invoice.

THIS WARRANTY DOES NOT COVER:

- 1) Damage, accidental or otherwise, to the heater while in the possession of a consumer not caused by a defect in material or workmanship.
- 2) Damage caused by consumer misuse, tampering, or failure to follow the care and special handling provisions in the instructions.
- 3) Damage to the finish of the case, or other appearance parts caused by wear.
- 4) Damage caused by repairs or alterations of the heater by anyone other than those authorized by Soleus International Inc.
- 5) Freight and Insurance cost for the warranty service.

ALL WARRANTIES, INCLUDING ANY IMPLIED WARRANTY OF MERCHANT ABILITY ARE LIMITED TO ONE-YEAR DURATION OF THIS EXPRESS LIMITED WARRANTY. **SOLEUS INTERNATIONAL INC.** DISCLAIMS ANY LIABILITY FOR CONSEQUENTIAL OR INCIDENTAL DAMAGES AND IN NO EVENT SHALL SOLEUS INTERNATIONAL INC'S LIABILITY EXCEED THE RETAIL VALUE OF THE HEATER FOR BREACH OF ANY WRITTEN OR IMPLIED WARRANTY WITH RESPECT TO THIS HEATER.

As some states do not allow the limitation or exclusion of incidental or consequential damages, or do not allow limitation on implied warranties, the above limitations and exclusions may not apply to you. This warranty gives you specific legal rights, and you may also have other rights that vary from state to state.

For Warranty, Technical Support, Customer Service, Missing or Defective Parts

Please Call (888) 876-5387

Or Write To:
Soleus International Inc.
9451 Telstar Ave.
El Monte, CA 91731 USA
www.soleusair.com

Manual Printed in China.

Free Manuals Download Website

<http://myh66.com>

<http://usermanuals.us>

<http://www.somanuals.com>

<http://www.4manuals.cc>

<http://www.manual-lib.com>

<http://www.404manual.com>

<http://www.luxmanual.com>

<http://aubethermostatmanual.com>

Golf course search by state

<http://golfingnear.com>

Email search by domain

<http://emailbydomain.com>

Auto manuals search

<http://auto.somanuals.com>

TV manuals search

<http://tv.somanuals.com>