



Sonance Symphony®  
S625T Speaker



## Sonance Symphony® Series

# T-Series In-Wall Speakers

Sonance Symphony® T-Series in-wall speakers establish the benchmark for quality, performance and versatility. Incorporating high-quality driver materials and precision engineering that deliver impressive audio performance, Symphony in-wall speakers are ideal for both multi-channel home theater and stereo music applications.

With paintable aluminum grilles and a small footprint that let them practically disappear into the décor, Sonance Symphony in-wall speakers bring high-quality entertainment to life anywhere in the home while effortlessly integrating into almost any lifestyle.

## Features:

- **Ideal for use in multi-channel home theater systems and stereo music systems.**
- **Advanced woofer cone materials produce robust, low-distortion bass in a small footprint that increases installation options.**
- **Pivoting tweeters direct the sound at listeners for clear sound and improved stereo imaging even when speaker placement options are limited (S625T/S624T/S623T/S622T).**
- **A unique tweeter acoustic back chamber widens and smooths high-frequency performance for crystal-clear, natural sound.**
- **¾"-Thick MDF baffles and cast aluminum woofer baskets reduce resonances, improving your music's clarity and detail (S652T/S624T).**
- **A 3-position tweeter adjustment switch lets you balance the speaker's high-frequency energy to better compliment your room's setup and acoustics (S625T/S624T/ S623T).**
- **The RotoLock® mounting system makes installation quick and easy.**
- **Exclusive new FastMount® tabs hold speaker in the mounting hole during installation, allowing installer to let go of the speaker to pick-up tools or other items.**

## Specifications:

### S625T

Tweeter:	1" (25mm) Beryllium dome, Ferrofluid-cooled, pivoting
Woofer:	6½" (165mm) Beryllium cone, rubber surround
Frequency Response:	40Hz – 20kHz ±3dB
Impedance:	6 Ohms nominal; 4 Ohms minimum
Power Handling:	5 watts minimum; 150 Watts maximum
Sensitivity:	90dB SPL (2.83V 1 meter)
Grille Material:	Perforated aluminum
Adjustments:	±3dB Tweeter level
Dimensions (W x H x D):	8¼" x 12 <sup>3</sup> / <sub>16</sub> " x 3 <sup>3</sup> / <sub>8</sub> " (210mm x 310mm x 86mm)
Cutout Dim. (W x H):	6¾" x 10 <sup>5</sup> / <sub>8</sub> " (171mm x 270mm)
Shipping Weight:	12 lbs. (5.45kg) Pair

### S624T

Tweeter:	1" (25mm) Aluminum dome, Ferrofluid-cooled, pivoting
Woofer:	6½" (165mm) Coated carbon fiber cone, rubber surround
Frequency Response:	43Hz – 20kHz ± 3dB
Impedance:	6 Ohms nominal; 4 Ohms minimum
Power Handling:	5 watts minimum; 140 Watts maximum
Sensitivity:	90dB SPL (2.83V 1 meter)
Grille Material:	Perforated aluminum
Adjustments:	±3dB Tweeter level
Dimensions (W x H x D):	8¼" x 12 <sup>3</sup> / <sub>16</sub> " x 3 <sup>3</sup> / <sub>8</sub> " (210mm x 310mm x 86mm)
Cutout Dim. (W x H):	6¾" x 10 <sup>5</sup> / <sub>8</sub> " (171mm x 270mm)
Shipping Weight:	11 lbs. (5.0kg) Pair

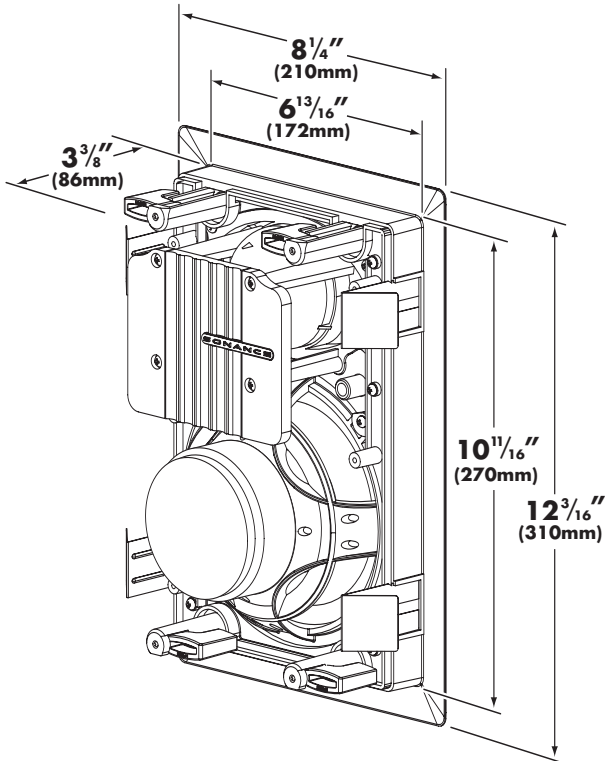
(continued on back)

## Sonance Symphony® Series

# T-Series In-Wall Speakers

### Dimensions:

(all Symphony T-Series Speakers)



## SONANCE®

212 Avenida Fabricante

San Clemente, CA 92672-7531 USA

(800) 582-7777 or (949) 492-7777

FAX: (949) 361-5151

Technical Support: (800) 582-0772

WWW.SONANCE.COM

### Specifications:

(continued from front)

#### S623T

Tweeter:	1" (25mm) Silk dome, Ferrofluid-cooled, pivoting
Woofer:	6 1/2" (165mm) Carbon fiber cone, rubber surround
Frequency Response:	43Hz – 20kHz ±3dB
Impedance:	8 Ohms nominal; 6 Ohms minimum
Power Handling:	5 watts minimum; 135 Watts maximum
Sensitivity:	90dB SPL (2.83V 1 meter)
Grille Material:	Perforated aluminum
Adjustments:	±3dB Tweeter level
Dimensions (W x H x D):	8 1/4" x 12 3/16" x 3 3/8" (210mm x 310mm x 86mm)
Cutout Dim. (W x H):	6 3/4" x 10 5/8" (171mm x 270mm)
Shipping Weight:	10 lbs. (4.5kg) Pair

#### S622T

Tweeter:	1" (25mm) Silk dome, Ferrofluid-cooled, pivoting
Woofer:	6 1/2" (165mm) Polypropylene cone, rubber surround
Frequency Response:	45Hz – 20kHz ±3dB
Impedance:	8 Ohms nominal; 6 Ohms minimum
Power Handling:	5 watts minimum; 125 Watts maximum
Sensitivity:	89dB SPL (2.83V 1 meter)
Grille Material:	Perforated aluminum
Adjustments:	None
Dimensions (W x H x D):	8 1/4" x 12 3/16" x 3 3/8" (210mm x 310mm x 86mm)
Cutout Dim. (W x H):	6 3/4" x 10 5/8" (171mm x 270mm)
Shipping Weight:	10 lbs. (4.5kg) Pair

#### S621T

Tweeter:	3/4" (19mm) Silk dome, Ferrofluid-cooled
Woofer:	6 1/2" (165mm) Polypropylene cone, rubber surround
Frequency Response:	50Hz – 20kHz ±3dB
Impedance:	8 Ohms nominal; 6 Ohms minimum
Power Handling:	5 watts minimum; 100 Watts maximum
Sensitivity:	88dB SPL (2.83V 1 meter)
Grille Material:	Perforated aluminum
Adjustments:	None
Dimensions (W x H x D):	8 1/4" x 12 3/16" x 3 3/8" (210mm x 310mm x 86mm)
Cutout Dim. (W x H):	6 3/4" x 10 5/8" (171mm x 270mm)
Shipping Weight:	9 lbs. (4.1kg) Pair

©2007 Sonance, All Rights Reserved. Sonance, Sonance Symphony, FastMount and RotoLock are trademarks or registered trademarks of Dana Innovations. Due to continuous product improvement, all features and specifications are subject to change without notice.

For the latest Sonance product information go to:

[www.sonance.com](http://www.sonance.com)

## Free Manuals Download Website

<http://myh66.com>

<http://usermanuals.us>

<http://www.somanuals.com>

<http://www.4manuals.cc>

<http://www.manual-lib.com>

<http://www.404manual.com>

<http://www.luxmanual.com>

<http://aubethermostatmanual.com>

Golf course search by state

<http://golfingnear.com>

Email search by domain

<http://emailbydomain.com>

Auto manuals search

<http://auto.somanuals.com>

TV manuals search

<http://tv.somanuals.com>