



INSTRUCTION MANUAL

SONANCE SYMP ONLY® TR/TSQ IN-CEILING SPEAKERS

INTRODUCTION

H

SAFETY WARNING:

The edges of the FastMount tabs are very sharp. Use caution when handling the speaker.

BOX CONTENTS

SPEAKER PLACEMENT

Distributed Audio Placement (Mono signal)

Speaker Spacing (in feet) for a Distributed Audio System

| | Standing Listener | Seated Listener |
|-----------------|-------------------|-----------------|
| 8-foot ceiling | 5.7' | 9.5' |
| 10-foot ceiling | 9.7' | 13.5' |
| 12-foot ceiling | 13.7' | 17.5' |
| 14-foot ceiling | 17.7' | 21.5' |

Figure 1: Distributed Audio Speaker Spacing

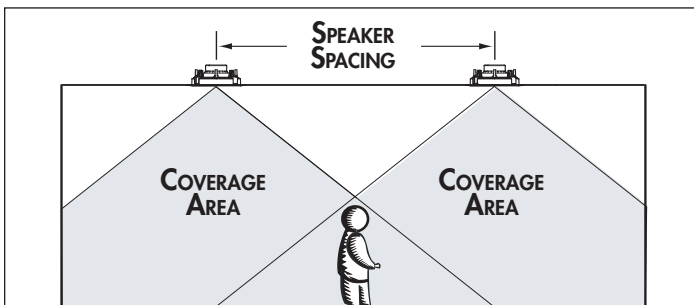


Figure 2: Distributed Audio Coverage Area

Home Theater Speaker Placement
Left, Center & Right Speakers (see Figure 3)

Surround Speakers (5.1-Channel System — see Figure 3)

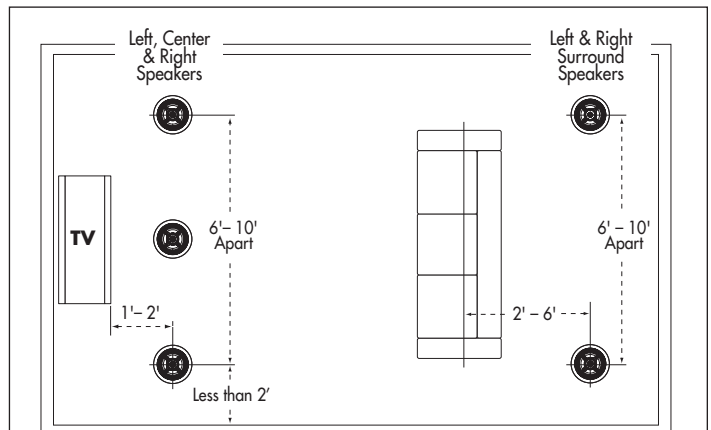


Figure 3: 5.1-Channel Home Theater Speaker Placement

Surround Speakers (7.1-Channel System — see Figure 4)

Left & Right Surround Speakers:

Surround Back Speakers:

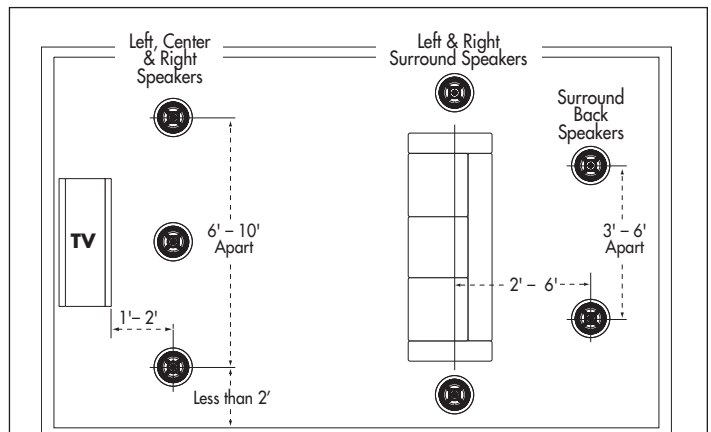


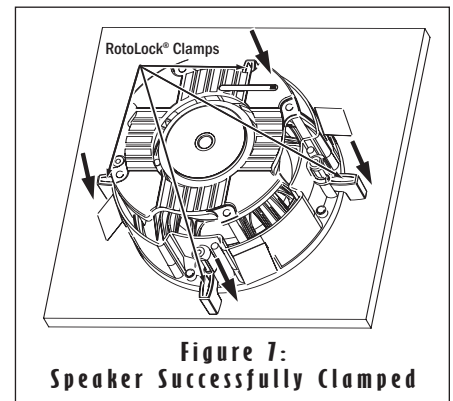
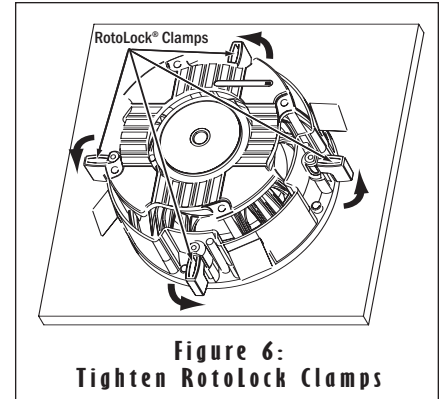
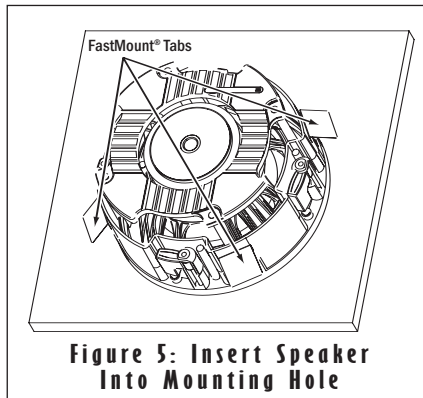
Figure 4: 7.1-Channel Home Theater Speaker Placement

Stereo (2-Channel)

Before Installation: Retrofit

Installation

WARNING: THE EDGES OF FASTMOUNT TABS ARE VERY SHARP. USE CAUTION WHEN HANDLING THE SPEAKER.



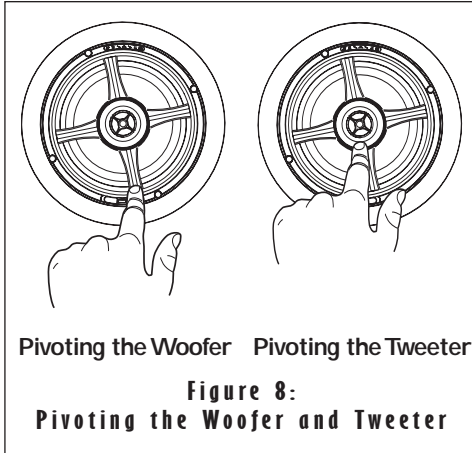
IMPORTANT:
Always use low-torque settings; NEVER over-tighten.

H PAINTING THE SPEAKERS

SPEAKER ADJUSTMENTS Pivoting Woofer and Tweeter

S624TR

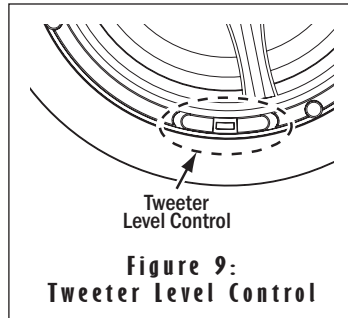
To Pivot the
Woofers:



S623TR

To Pivot the
Tweeter:

Tweeter Level Control



S622TR

S621TR

SPECIFICATIONS

S625TR

S623TSQ

TECHNICAL ASSISTANCE AND SERVICE

If you any have questions about the operation or installation of this product, please call our Technical Assistance Department on any business day at (800) 582-0772 or (949) 492-7777; from 7 a.m. to 5 p.m., PST.

IMPORTANT: YOU MUST HAVE PRIOR AUTHORIZATION TO RETURN YOUR SPEAKER TO SONANCE!

IMPORTANT: Freight collect shipments will be refused.

LIMITED LIFETIME WARRANTY COVERAGE
(U.S. ONLY)

EXCLUSIONS AND LIMITATIONS



www.sonance.com

Free Manuals Download Website

<http://myh66.com>

<http://usermanuals.us>

<http://www.somanuals.com>

<http://www.4manuals.cc>

<http://www.manual-lib.com>

<http://www.404manual.com>

<http://www.luxmanual.com>

<http://aubethermostatmanual.com>

Golf course search by state

<http://golfingnear.com>

Email search by domain

<http://emailbydomain.com>

Auto manuals search

<http://auto.somanuals.com>

TV manuals search

<http://tv.somanuals.com>