

QUALIA 006

Quick Setup Guide

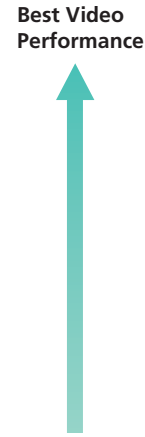
If your product is not working properly **DO NOT RETURN TO THE STORE.** For service and technical assistance Call our QUALIA Call Center at 1-877-782-5423 for US residents or Customer Relations Center 1-877-899-SONY (7669) for Canadian residents.

Sony Corporation © 2004 Printed in Japan

2-590-305-12(1)

Making Video Connections

Your TV includes several types of video inputs. Use the inputs that are available on your components that provide the best video performance, as described in right.



Connector type	
	HDMI (High-Definition Multimedia Interface)
	Component video
	S VIDEO
	Composite video
	RF/Coaxial

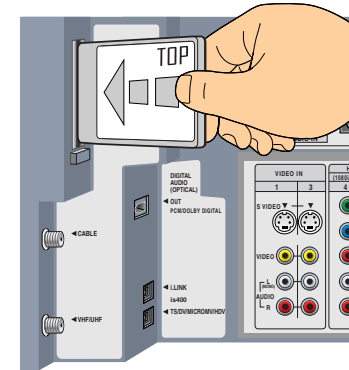
Additional Connections

For best audio performance, connect your digital audio components using either digital optical or digital coaxial audio connections. Depending on which components are in your system, you may need to complete additional connections. For example, if you have a satellite receiver, you'll need to connect the satellite antenna. If you have an A/V receiver, you'll need to connect speakers.

The connection diagrams shown in the reverse side are recommendations only; other possible solutions may exist. Connections that include an A/V receiver can often be very complex, so check your A/V receiver's instruction manual for additional details.

Activating CableCARD™ Service

Before you can use CableCARD service, you need to insert the CableCARD (supplied by your cable provider) and activate the service.



Inserting the CableCARD incorrectly may result in permanent damage to the card and the TV.

1 Checking the Supplied Accessories

Along with your new SXRD projection TV, the packing box contains a remote control, two AA (R6) batteries, cleaning cloth, etc. These items are all you need to set up and use the TV.

2 Connecting Your TV

Review the following chart to determine which diagram to use to connect the components in your system:

For these components	See reverse side
	A
	B
	C
	D
	E
	F

- See the "Cables Required" chart that appears with the diagram to determine which cables you'll need. You may need to purchase extra accessories, such as cables and splitters, depending on the components you plan to connect.
- Turn off and unplug all components before making connections.
- If you are connecting a digital cable box, you'll need a special bi-directional splitter that's compatible with your cable box. Contact your cable provider for details.

3 Running Initial Setup

- Press **POWER** to turn on the TV. The Initial Setup screen appears.
- Press **▲/▼** to select the on-screen display language. Then press **⊙**. The message "Start auto program now?" appears.
 - Auto Program may take more than 50 minutes to complete. A progress bar will display the approximate progress of the Auto Program and Digital Channels/Add sequences.
- Press **▲/▼** to select "Yes", then press **⊙**.

Initial Setup automatically creates a list of receivable channels. When finished, the lowest numbered channel is displayed.

To run Auto Program again at a later time

Use the Auto Program feature as described in "Selecting Channel Options" in the Owner's Guide.

To add individual digital channels

Use the Digital Channel feature as described in "Selecting Channel Options" in the Owner's Guide.

4 Programming the Remote Control

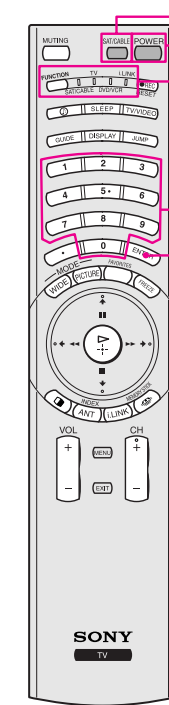
The remote control is preset to operate Sony brand video equipment.

Sony Equipment	Programmable Code Number
DVD/VCR	751 (Sony DVD Player)
SAT/Cable	801 (Sony Satellite Receiver)
i.LINK	901 (Sony DVD Player (i.LINK))

If you have video equipment other than Sony brand that you want to control with the SXRD projection TV's remote control, use the following procedures to program the remote control.

The equipment must have infrared (IR) remote capability in order to be used with this remote control.

Using the code list below, find the three-digit code number for the manufacturer of your equipment. (If more than one code number is listed, use the number listed first.)



- Press **FUNCTION** repeatedly until the DVD/VCR, SAT/CABLE or i.LINK indicator lights up.
- Press **SAT/CABLE** for five seconds until the indicator of the selected input flashes.
- While the desired indicator is flashing, enter the three-digit manufacturer's code number.
- Press **ENTER**.
- To check if the code number works, aim the SXRD projection TV's remote control at the equipment and press **SAT/CABLE** that corresponds with that equipment. If it responds, you are done. If not, try using another code listed for that manufacturer.

- If more than one code number is listed, try entering them one by one until you come to the correct code for your equipment.
- If you enter a new code number, the code number you previously entered at that setting is erased.
- In some cases, you may not be able to operate your equipment with the supplied remote control. In such cases, use the equipment's own remote control unit.

Manufacturer's codes

DVD Players

Manufacturer	Code
Sony	751
Sony (i.LINK)	901
General Electric	755
Hitachi	758
JVC	756
Magnavox	757
Mitsubishi	761
Orritron	759
Panasonic	753
Philips	757
Pioneer	752
RCA/PROSCAN	755
Samsung	758
Toshiba	754
Zenith	760

Laserdisc Players

Manufacturer	Code
Sony	701
Panasonic	704, 710
Pioneer	702

VCRs

Manufacturer	Code
Sony	301, 302, 303
Admiral (M. Ward)	327
Aiwa*	338, 344
Audio Dynamic	314, 337
Broksonic	319, 317
Canon	309, 308
Citizen	332
Craig	302, 332
Criterion	315
Curtis Mathes	304, 338, 309
Daewoo	341, 312, 309
DBX	314, 336, 337
Dimensia	304
Emerson	319, 320, 316, 317, 318, 341
Fisher	330, 335
Funai	338
General Electric	329, 304, 309
Go Video	322, 339, 340
Goldstar	332
Hitachi	306, 304, 305, 338
Instant Replay	309, 308
JC Penney	309, 305, 304, 330, 314, 336, 337
JVC	314, 336, 337, 345, 346, 347
Kenwood	314, 336, 332, 337
LG	332
LXI (SEARS)	332, 305, 330, 335, 338
Magnavox	308, 309, 310
Marantz	314, 336, 337
Marta	332
Memorex	309, 335
Minolta	305, 304
Mitsubishi/MGA	323, 324, 325, 326
Multitech	325, 338, 321
NEC	314, 336, 337
Olympic	309, 308
Optimus	327
Orion	317
Panasonic	308, 309, 306, 307
Pentax	305, 304
Philco	308, 309
Philips	308, 309, 310
Pioneer	308
Quasar	308, 309, 306
RCA/PROSCAN	304, 305, 308, 309, 311, 312, 313, 310, 329
Realistic	309, 330, 328, 335, 324, 338
Sansui	314
Samsung	322, 313, 321
Sanyo	330, 335
Scott	312, 313, 321, 335, 323, 324, 325, 326
Sharp	327, 328
Signature 2000 (M. Ward)	338, 327
SV 2000	338

Manufacturer Code

Sylvania	308, 309, 338, 310
Symphonic	338
Tashiro	332
Tatung	314, 336, 337
Teac	314, 336, 338, 337
Technics	309, 308
Toshiba	312, 311
Wards	327, 328, 335, 331, 332
Yamaha	314, 330, 336, 337
Zenith	331

Cable Boxes

Manufacturer	Code
Sony	230
Hamlin/Regal	222, 223, 224, 225, 226
Jerrold/G.I./Motorola	201, 202, 203, 204, 205, 206, 207, 208, 218
Oak	227, 228, 229
Panasonic	219, 220, 221
Pioneer	214, 215
Scientific Atlanta	209, 210, 211
Tocom	216, 217
Zenith	212, 213

Satellite Receivers

Manufacturer	Code
Sony	801
Dish Network	810
Echostar	810
General Electric	802
Hitachi	805
Hughes	804
Mitsubishi	809
Panasonic	803
RCA/PROSCAN	802, 808
Toshiba	806, 807

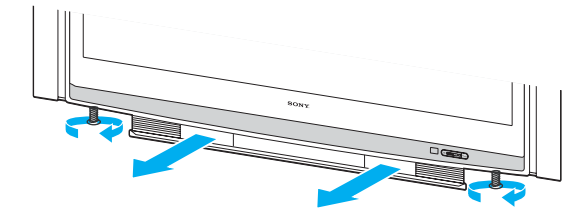
* If an Aiwa VCR does not work even though you enter the code for Aiwa, enter the code for Sony instead.

Replacing the Lamp

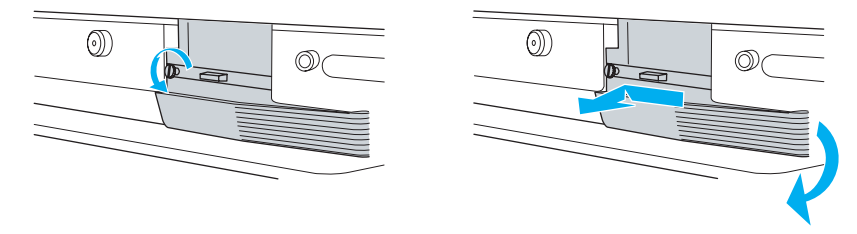
If the screen becomes dark, the color looks unusual, or the LAMP indicator on the front of the SXRD projection TV flashes, it is time to replace the lamp with a new one (not supplied).

- Use a Sony XL-5000 replacement lamp (not supplied) for replacement. Use of any other lamp may damage the SXRD projection TV.
- Wait until the cooling fan turns off (about two minutes) and then unplug the power cord. (The cooling fan will continue to blow for about two minutes after turning the power off.)
- Allow the lamp to cool down completely before removing it. The surface of the lamp remains extremely hot for at least 30 minutes after the power has been turned off.
- Remove the dust inside the lamp slot with a vacuum cleaner, after pulling out the lamp.

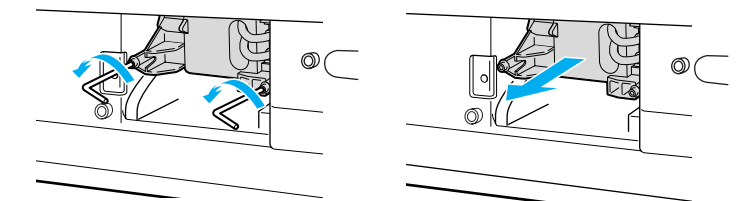
- Put both hands underneath the Front Panel Cover and locate the screw on each side of the cover. Loosen the screws by turning them counterclockwise and remove the cover.



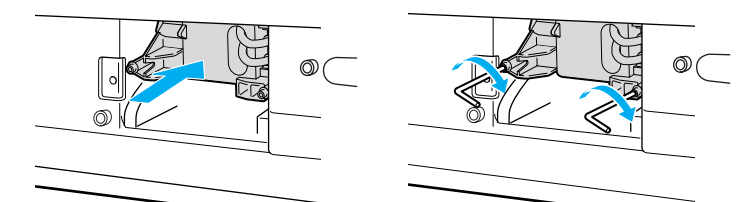
- Pull out the lamp. Loosen the screw on the lamp cover with a coin or similar object, slide the knob to the left. Put fingers on the right edge of the cover and pull it forward to remove the cover.



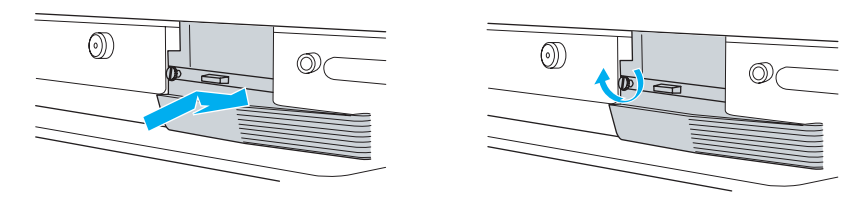
Loosen the two screws that hold the lamp using the hex key supplied with the lamp, and then pull out the lamp.



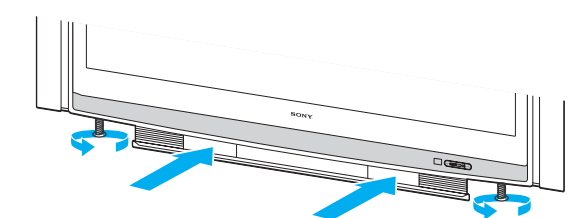
- Attach the new lamp. Making sure the front glass of the new lamp is facing the left side of the lamp slot, place the lamp and tighten the screws.



Making sure the black pin on the back of the lamp cover goes to the hole on the TV, put the lamp cover back on. Slide the knob to the right until the ▲/▼ marks match, and then tighten the screw.

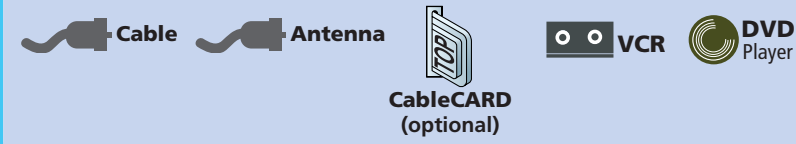


- Reattach the Front Panel Cover securely and tighten the two screws underneath the cover.



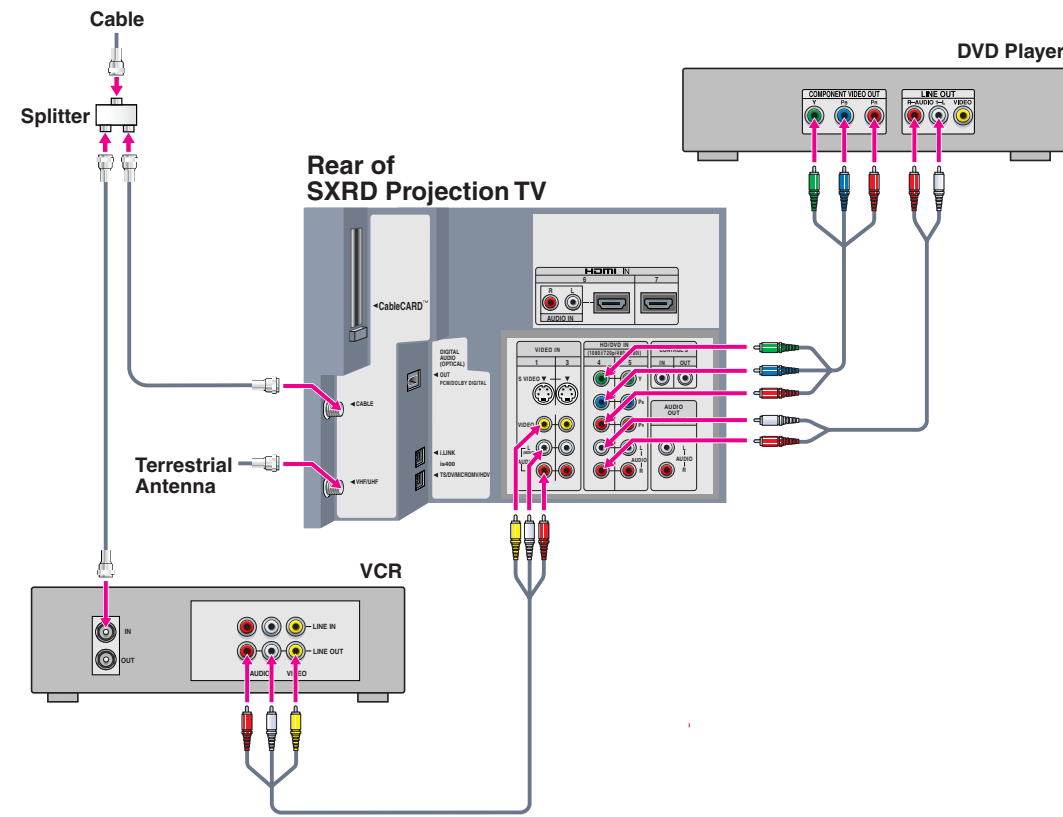
A

Use this diagram if you have;



Cables Required	
Splitter	1
Coaxial	4
Composite	1
Component	1
Audio	1

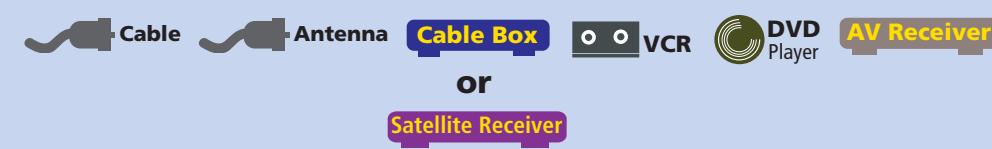
If your DVD player has an HDMI jack, use that instead of the video connections shown here.



CableCARD use is optional; contact your cable TV provider. See the Owner's Guide for details on using CableCARD.

B

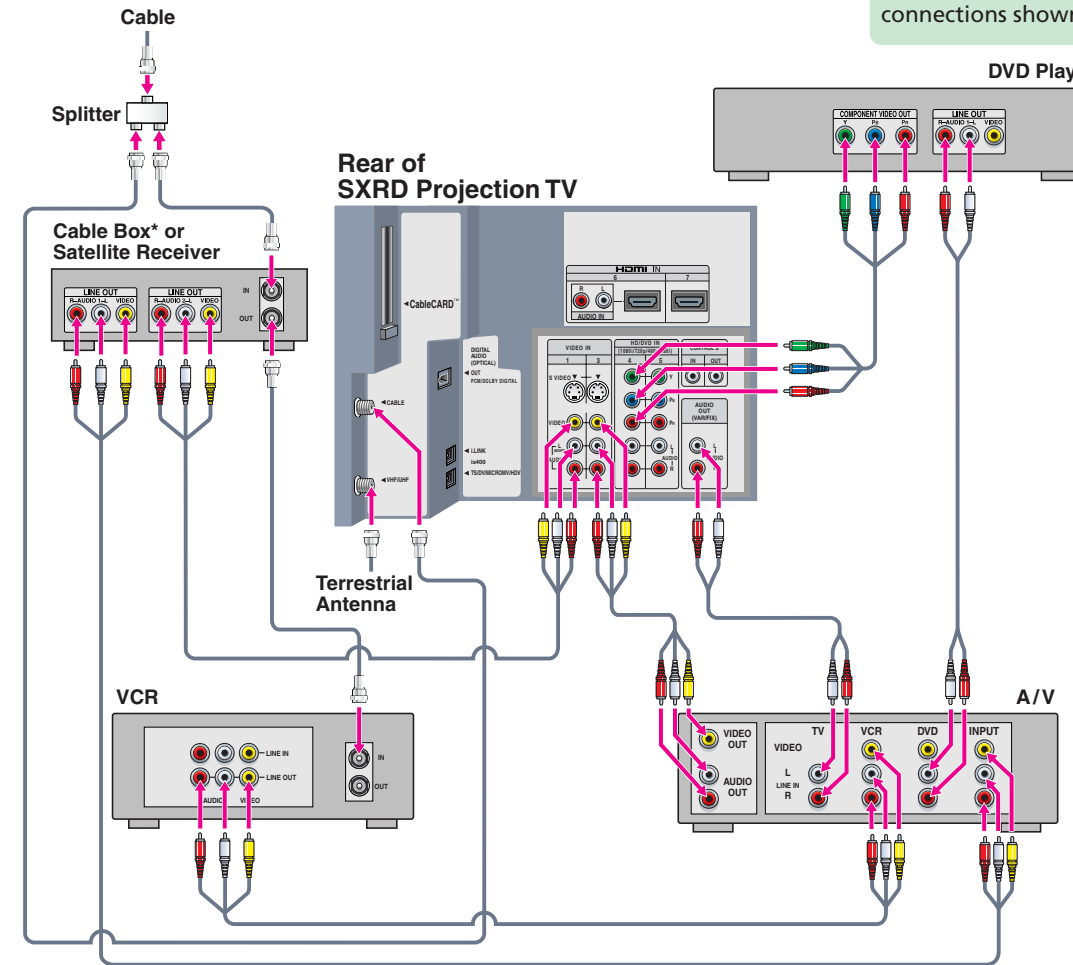
Use this diagram if you have;



Cables Required	
Splitter	1
Coaxial	5
Composite	4
Component	1
Audio	2

If you are not using a cable box or satellite receiver, connect your cable to the VCR's RF IN jack.

If your DVD player or satellite receiver has an HDMI jack, use that instead of the video connections shown here.



* Cable box may not be required if using CableCARD. See the Owner's Guide for details.

C

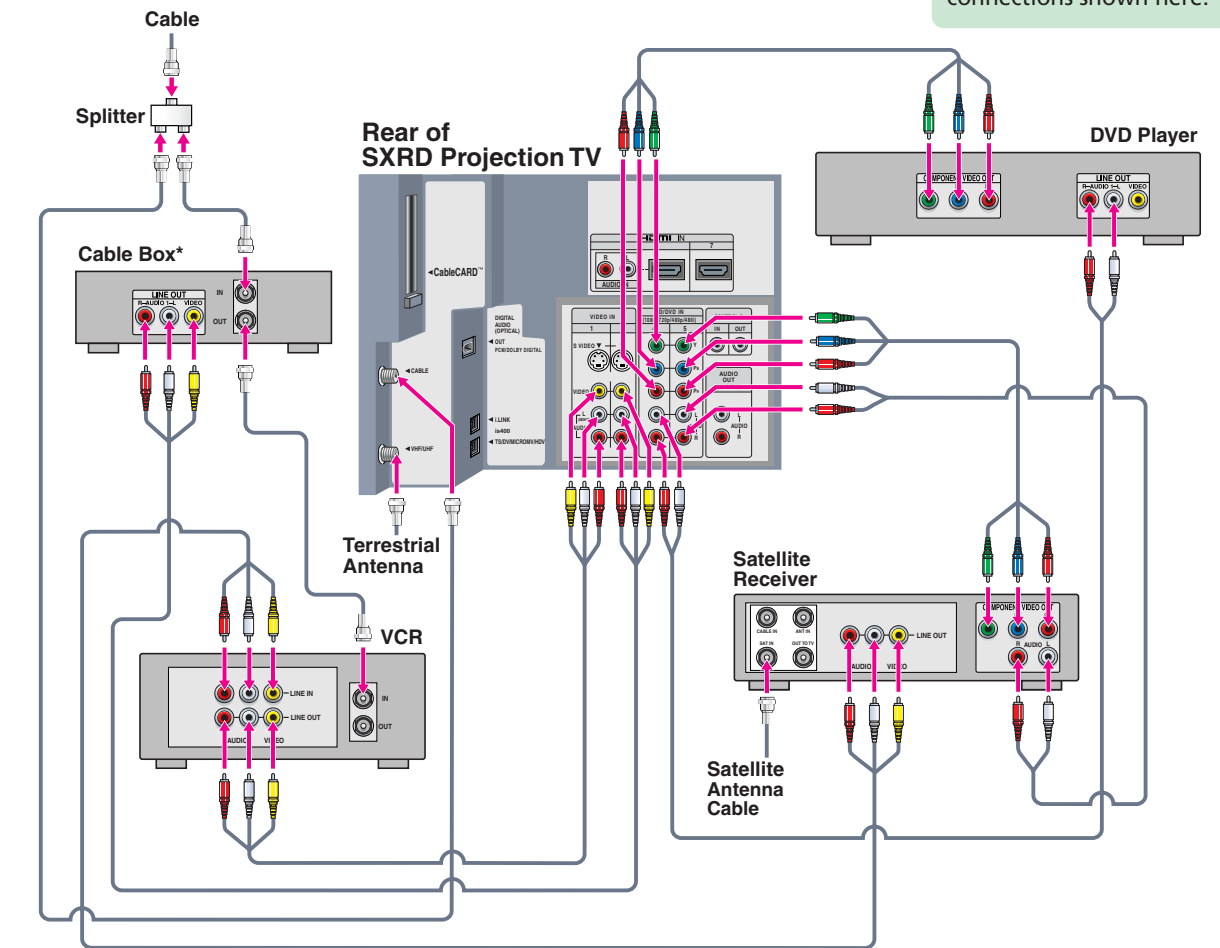
Use this diagram if you have;



Cables Required	
Splitter	1
Coaxial	5
Composite	3
Component	2
Audio	2

If you are not using a cable box, connect your cable to the VCR's RF IN jack.

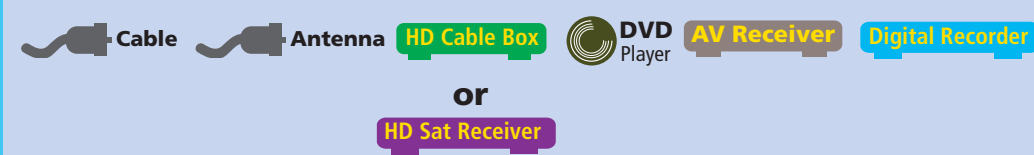
If your DVD player or satellite receiver has an HDMI jack, use that instead of the video connections shown here.



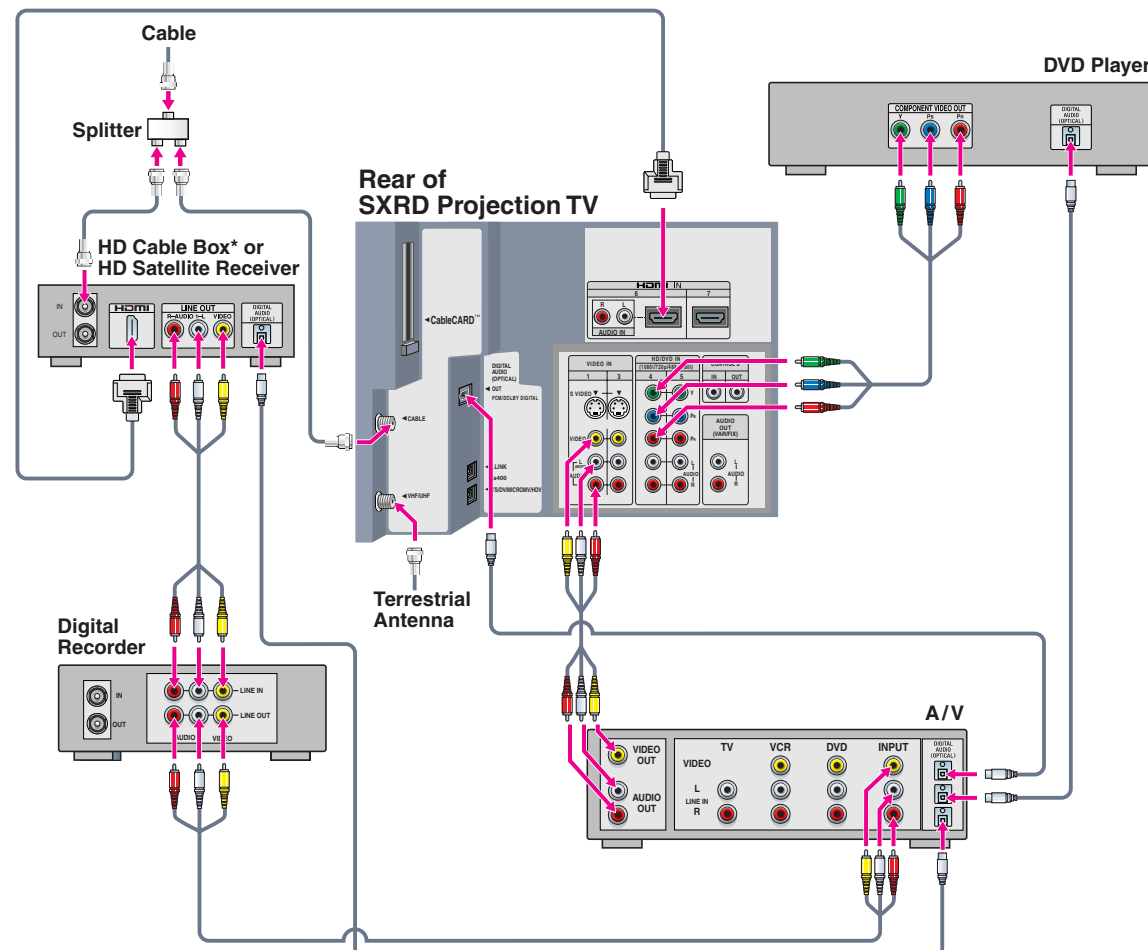
* Cable box may not be required if using CableCARD. See the Owner's Guide for details.

D

Use this diagram if you have;



Cables Required	
Splitter	1
Coaxial	4
Composite	3
Component	1
HDMI	1
Digital Optical	3
Audio	



* Cable box may not be required if using CableCARD. See the Owner's Guide for details.

E

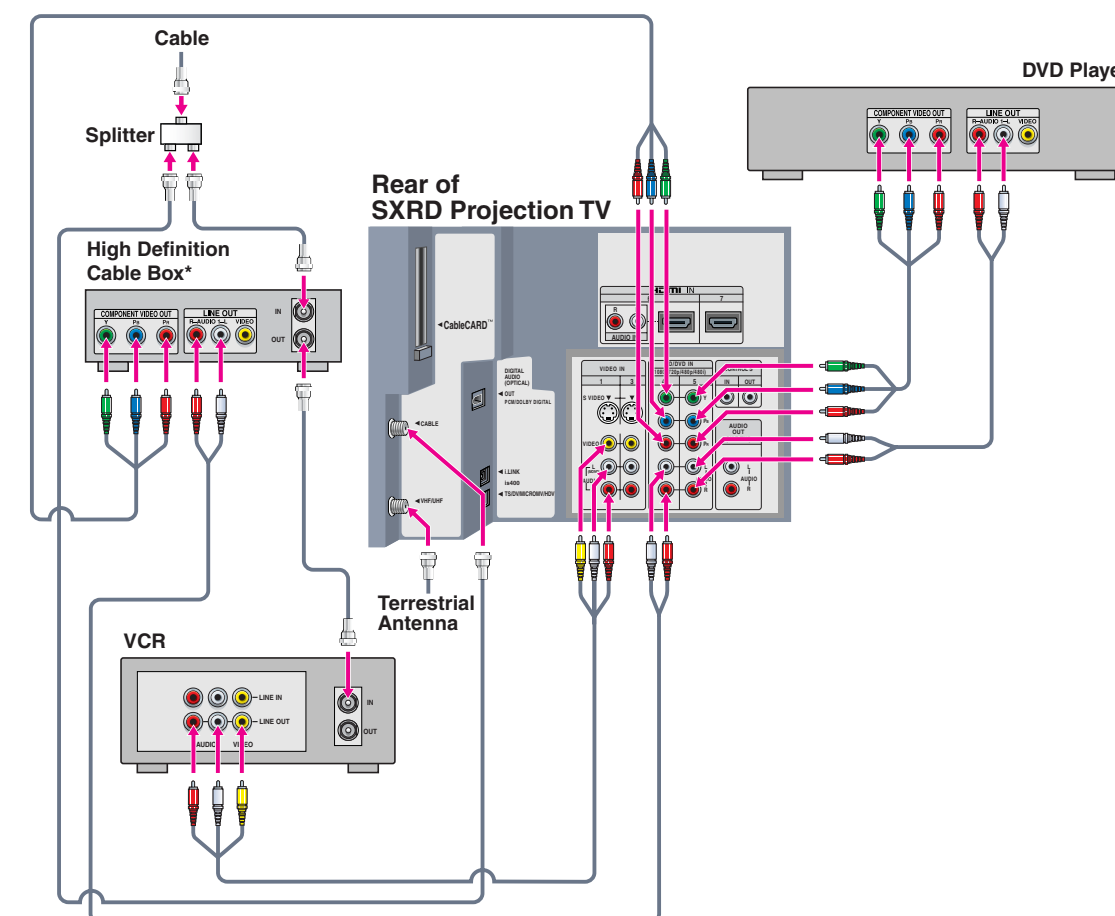
Use this diagram if you have;



Cables Required	
Splitter	1
Coaxial	5
Composite	1
Component	2
Audio	2

For best results, check the cable box's manual for proper setup of the HD output.

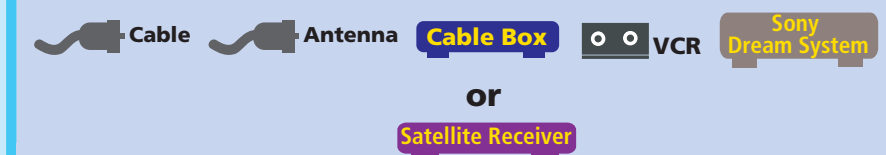
If your DVD player has an HDMI jack, use that instead of the video connections shown here.



* Cable box may not be required if using CableCARD. See the Owner's Guide for details.

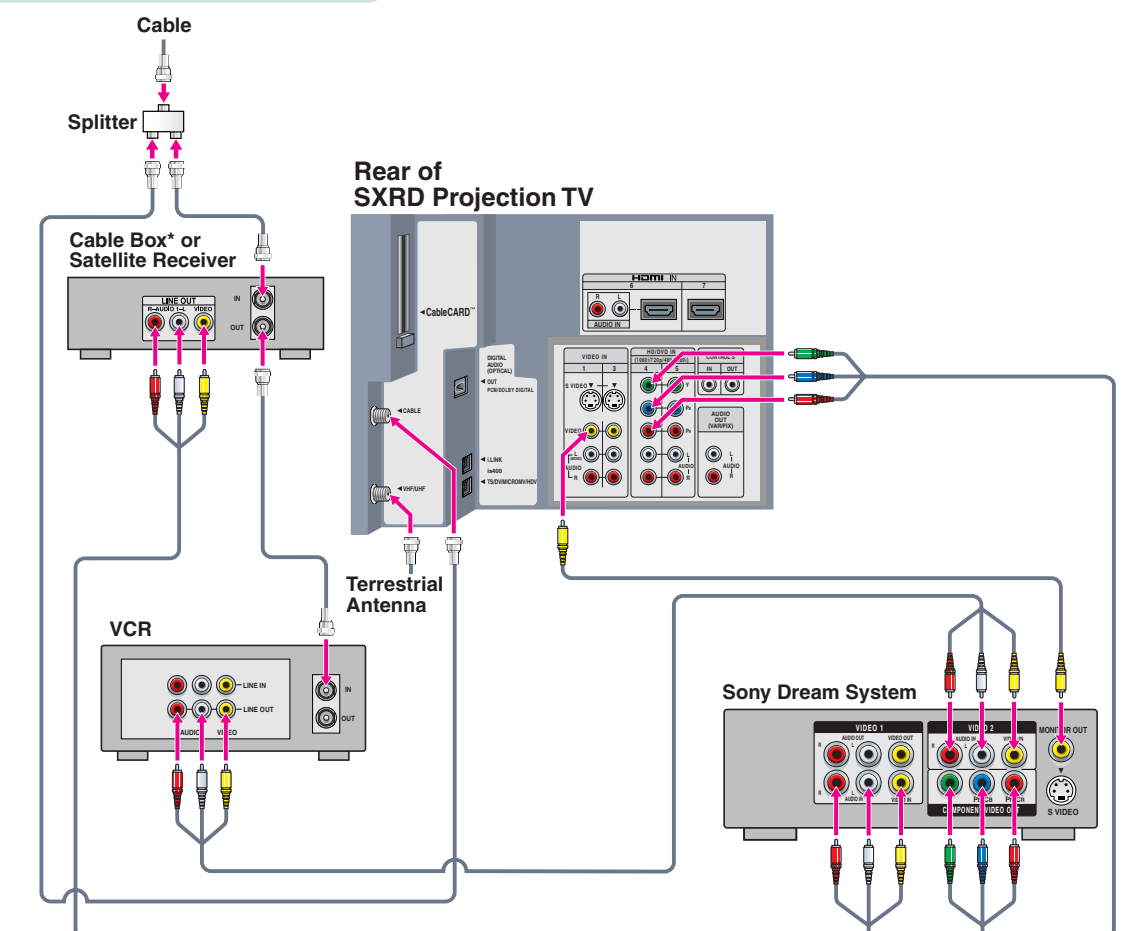
F

Use this diagram if you have;



Cables Required	
Splitter	1
Coaxial	5
Composite	2
Component	1
Video	1

If you are not using a cable box or satellite receiver, connect the cable to the VCR's RF IN jack.



* Cable box may not be required if using CableCARD. See the Owner's Guide for details.

Free Manuals Download Website

<http://myh66.com>

<http://usermanuals.us>

<http://www.somanuals.com>

<http://www.4manuals.cc>

<http://www.manual-lib.com>

<http://www.404manual.com>

<http://www.luxmanual.com>

<http://aubethermostatmanual.com>

Golf course search by state

<http://golfingnear.com>

Email search by domain

<http://emailbydomain.com>

Auto manuals search

<http://auto.somanuals.com>

TV manuals search

<http://tv.somanuals.com>