

**SONY**

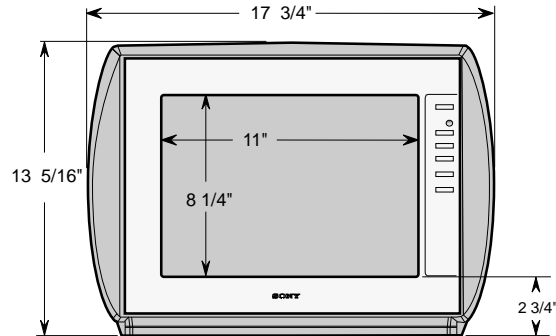
**KV-13FM12/13/14**

DESCRIPTION: 13" VEGA®  
DIMENSIONS Monitor/Receiver  
(WHD): 17 3/4" x 13 5/16" x 17 1/4"  
WEIGHT: 27 lbs

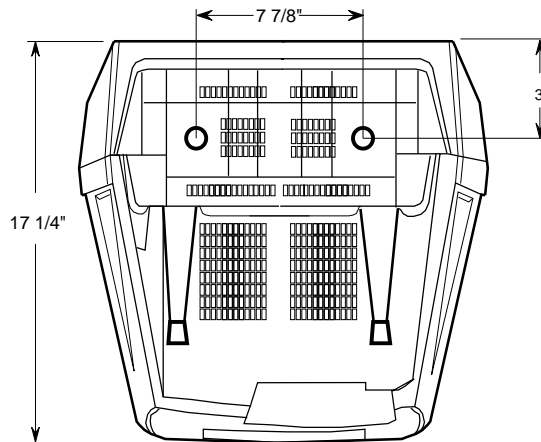
POWER REQUIREMENTS: 120V AC  
60Hz  
POWER CONSUMPTION: 80w(max)  
6w(stby)

**RM-Y172 REMOTE CONTROL**

**FRONT VIEW**



**BOTTOM VIEW**



**NOTE :**

WHERE THERE ARE CLOSE TOLERANCES INVOLVED IN CABINET BUILDING OR APPLICATIONS WHICH REQUIRE A GREAT DEGREE OF PRECISION WE RECOMMEND THAT THE PRODUCT ITSELF BE USED TO MAKE THE ACTUAL MEASUREMENTS. SONY WILL NOT BE RESPONSIBLE FOR INACCURACIES IN THE DESIGN OR MANUFACTURE OF ENCLOSURES .

Consumer Integrated Systems • Park Ridge, New Jersey 07656 • FAX (201) 930 7891 • b2b.sel.sony.com  
Features and specifications subject to change without notice. • Non-metric weights and measurements are approximate.

## Free Manuals Download Website

<http://myh66.com>

<http://usermanuals.us>

<http://www.somanuals.com>

<http://www.4manuals.cc>

<http://www.manual-lib.com>

<http://www.404manual.com>

<http://www.luxmanual.com>

<http://aubethermostatmanual.com>

Golf course search by state

<http://golfingnear.com>

Email search by domain

<http://emailbydomain.com>

Auto manuals search

<http://auto.somanuals.com>

TV manuals search

<http://tv.somanuals.com>