

# SERVICE MANUAL

# AA-2D CHASSIS

<u>MODEL</u>	<u>DEST.</u>	<u>COMMANDER</u>	<u>CHASSIS NO.</u>
<b>KV-32S40</b>	US	RM-Y165	SCC-S07A-A
<b>KV-32S40</b>	CND	RM-Y165	SCC-S08A-A
<b>KV-32S45</b>	US	RM-Y165	SCC-S07B-A
<b>KV-32S45</b>	CND	RM-Y165	SCC-S08B-A
<b>KV-34SL40T</b>	TAIWAN	RM-Y165	SCC-S16A-A
<b>KV-34SL40C</b>	E	RM-Y165	SCC-S09A-A
<b>KV-34SL40</b>	E	RM-Y165	SCC-S09B-A
<b>KV-34SL45</b>	E	RM-Y167	SCC-S09C-A
<b>KV-35S40</b>	US	RM-Y165	SCC-S07D-A
<b>KV-35S40</b>	CND	RM-Y165	SCC-S08E-A
<b>KV-35S45</b>	US	RM-Y167	SCC-S07E-A
<b>KV-35S45</b>	CND	RM-Y167	SCC-S08F-A
<b>KV-37SL45</b>	E	RM-Y167	SCC-S09F-A
<b>KV-32V40</b>	US	RM-Y165	SCC-S07C-A
<b>KV-32V40</b>	CND	RM-Y165	SCC-S08C-A
<b>KV-32V65</b>	CND	RM-Y167	SCC-S08D-A
<b>KV-34VL65</b>	E	RM-Y167	SCC-S09E-A
<b>KV-34VL65C</b>	E	RM-Y167	SCC-S09D-A
<b>KV-35V65</b>	CND	RM-Y167	SCC-S08G-A
<b>KV-37VL65</b>	E	RM-Y167	SCC-S09G-A
<b>KV-37VL65C</b>	E	RM-Y167	SCC-S09H-A



KV-35V65



RM-Y167

TRINITRON® COLOR TV  
**SONY**®



## SPECIFICATIONS

	KV-32S40 KV-34SL40/40T	KV-34SL40C	KV-32S45 KV-34SL45	KV-32V40	KV-32V65 KV-34VL65/65C	KV-35S40/45 KV-37SL45	KV-35V65 KV-37VL65	KV-37VL65C
Power requirements	120V,60Hz	220V,50/60Hz	120V,60Hz	120V,60Hz	120V,60Hz(65) 220V,50/60Hz(65C)	120V,60Hz	120V,60Hz	220V,50/60Hz
Number of inputs/outputs								
Video <sup>1)</sup>	1	1	2	3	3	2	3	3
S Video <sup>2)</sup>	1	1	1	1	2	1	2	2
Audio <sup>3)</sup>	1	1	2	3	3	2	3	3
Audio Out <sup>4)</sup>	1	1	1	1	1	1	1	1
Monitor Out	-	-	-	1	1	-	1	1
TV out	-	-	-	-	1	-	1	1
S-Link	-	-	-	-	YES	-	YES	YES
Speaker output(W)	5W x 2	5W x 2	5W x 2	5W x 2	10W x 2	5W x 2	10W x 2	10W x 2
Power Consumption(W)								
In use(Max)	180W	175W	180W	180W	200W(65), 195W(65C)	210W	230W	225W
In standby	2W	3W	2W	2W	2W(65), 3W(65C)	2W	2W	3W
Dimensions(W/H/D)								
(mm)	791 x 707 x 604.5mm			821 x 675.3 x 587mm		870 x 761 x 653mm		920 x 730.8 x 641.8mm
(in)	31 x 27 <sup>13/16</sup> x 23 <sup>3/4</sup>			32 <sup>3/8</sup> x 26 <sup>5/8</sup> x 23 <sup>1/8</sup>		34 <sup>1/4</sup> x 30 x 25 <sup>5/8</sup>		36 <sup>1/4</sup> x 28 <sup>3/4</sup> x 25 <sup>1/4</sup>
Mass								
(kg)	71.4kg		72.7kg		70kg		83kg	
(lbs)	157lbs		160lbs		154lbs		183lbs	

- <sup>1)</sup> 1 Vp-p 75 ohms unbalanced, sync negative  
<sup>2)</sup> Y: 1 Vp-p 75 ohms unbalanced, sync negative  
 C: 0.286 Vp-p (Burst signal), 75 ohms  
<sup>3)</sup> 500 mVrms (100% modulation), Impedance: 47 kilohms  
<sup>4)</sup> More than 408 mVrms at the maximum volume setting (variable)

### Television system

American TV standard

### Channel coverage

VHF:2-13/UHF:14-69/CATV:1-125

### Visible screen size

32-inch picture measured (KV-32S40/32S45/32V65/34SL40/34SL40C/34SL40T/34SL45/32V40/34VL65/34VL65C)

35-inch picture measured (KV-35S40/35S45/37SL45/35V65/37VL65/37VL65C)

### Actual screen size

34-inch picture measured (KV-32S40/32S45/32V65/34SL40/34SL40C/34SL40T/34SL45/32V40/34VL65/34VL65C)

37-inch picture measured (KV-35S40/35S45/37SL45/35V65/37VL65/37VL65C)

### Antenna

75 ohm external terminal for VHF/UHF

### Supplied Accessories

Remote commander (w/2 size AA (R6) batteries)

RM-Y165: (KV-32S40/32S45/34SL40/34SL40T/34SL40C/35S40/32V40)

RM-Y167: (KV-34SL45/35S45/37SL45/32V65/34VL65/  
34VL65C/35V65/37VL65/37VL65C)

### Optional Accessory

Connecting Cables: VMC-810S/820S

VMC-720M, YC-15V/30V, RK-74A

TV-Stand: SU-32A3, SU-35A3

VHF/UHF Mixer: EAC-66

### (●)<sup>®</sup> SRS (SOUND RETRIEVAL SYSTEM)

The (●) SRS (SOUND RETRIEVAL SYSTEM) is manufactured by Sony Corporation under license from SRS Labs, Inc. It is covered by U.S. Patent No. 4,748,669. Other U.S. and foreign patents pending.

The word 'SRS' and the SRS symbol (●) are registered trademarks of SRS Labs, Inc.

BBE and BBE symbol are trademarks of BBE Sound, Inc. and are licensed by BBE Sound, Inc. under USP 4638258 and USP 4482866.

*Design and specifications are subject to change without notice.*

## TABLE OF CONTENTS

<u>Section</u>	<u>Title</u>	<u>Page</u>	<u>Section</u>	<u>Title</u>	<u>Page</u>
<b>1. GENERAL</b>					
	Connecting and Installing the TV .....	5		• A Board.....	35
	Operating Video Equipment.....	7		• AV Board.....	48
	Operating a Cable Box or DBS Receiver.....	8		• B Board .....	48
	Troubleshooting.....	8		• C Board .....	51
<b>2. DISASSEMBLY</b>				• G Board .....	52
	2-1.Rear Cover Removal .....	9		• HV Board.....	55
	2-2.Chassis Assembly Removal .....	10		• HS Board .....	55
	2-3.Service Position .....	10		• K Board.....	56
	2-4.Control Switch Removal .....	10		• P Board.....	57
	2-5-1. Picture Tube Removal (32"/34").....	11		• WB Board.....	58
	2-5-2. Picture Tube Removal (35"/37").....	11		• UV Board.....	59
				• WA Board.....	63
<b>3. SET-UP ADJUSTMENTS</b>			<b>6-5.Semiconductors.....</b>		<b>65</b>
	3-1.Beam Landing.....	12	<b>7. EXPLODED VIEWS</b>		
	3-2.Convergence.....	13	7-1. Chassis .....		66
	3-3.Focus.....	14		(KV-32S40/34SL40/34SL40C/32S45/34SL45/34SL40T)	
	3-4.Screen (G2).....	14	7-2. Chassis.....		67
	3-5.White Balance Adjustments.....	14		(KV-35S40/35S45/37SL45)	
<b>4. SAFETY RELATED ADJUSTMENTS .....</b>	<b>15</b>		7-3. Chassis.....		68
<b>5. CIRCUIT ADJUSTMENTS .....</b>	<b>16</b>			(KV-32V40/32V65/34VL65/35VL65C/ 35V65/37VL65/37VL65C)	
<b>6. DIAGRAMS</b>			7-3. Picture Tube .....		69
	6-1. S Series Block Diagram.....	23		(KV-32V40/32V65/34VL65)	
	6-2. V Series Block Diagrams .....	27	7-3. Picture Tube .....		70
	6-3. Circuit Boards Location.....	34		(KV-35VL65C/35V65/37VL65/37VL65C)	
	6-4.Printed Wiring Boards and Schematic Diagrams .....	34	<b>8. ELECTRICAL PARTS LIST</b>		
				• Table of Contents for Parts List.....	71
				• Parts Listings.....	72

## WARNINGS AND CAUTIONS

### **CAUTION!**

AFTER REMOVING THE ANODE, SHORT CIRCUIT THE ANODE OF THE PICTURE TUBE AND THE ANODE CAP TO THE METAL CHASSIS, CRT SHIELD, OR CARBON PAINTED ON THE CRT.

### **WARNING!!**

AN ISOLATION TRANSFORMER SHOULD BE USED DURING ANY SERVICE TO AVOID POSSIBLE SHOCK HAZARD, BECAUSE OF LIVE CHASSIS.THE CHASSIS OF THIS RECEIVER IS DIRECTLY CONNECTED TO THE AC POWER LINE.

### **SAFETY-RELATED COMPONENT WARNING!!**

COMPONENTS IDENTIFIED BY SHADING AND MARK  $\triangle$  ON THE SCHEMATIC DIAGRAMS, EXPLODED VIEWS AND IN THE PARTS LIST ARE CRITICAL FOR SAFE OPERATION. REPLACE THESE COMPONENTS WITH SONY PARTS WHOSE PART NUMBERS APPEAR AS SHOWN IN THIS MANUAL OR IN SUPPLEMENTS PUBLISHED BY SONY. CIRCUIT ADJUSTMENTS THAT ARE CRITICAL FOR SAFE OPERATION ARE IDENTIFIED IN THIS MANUAL. FOLLOW THESE PROCEDURES WHENEVER CRITICAL COMPONENTS ARE REPLACED OR IMPROPER OPERATION IS SUSPECTED.

### **ATTENTION**

APRES AVOIR DECONNECTE LE CAP DE L'ANODE, COURT-CIRCUITER L'ANODE DU TUBE CATHODIQUE ET CELUI DE L'ANODE DU CAP AU CHASSIS METALLIQUE DE L'APPAREIL, OU AU COUCHE DE CARBONE PEINTE SUR LE TUBE CATHODIQUE OU AU BLINDAGE DU TUBE CATHODIQUE.

### **ATTENTION!!**

AFIN D'EVITER TOUT RESQUE D'ELECTROCUTION PROVENANT D'UN CHÂSSIS SOUS TENSION, UN TRANSFORMATEUR D'ISOLEMENT DOIT ETRE UTILISÉ LORS DE TOUT DÉPANNAGE. LE CHÂSSIS DE CE RÉCEPTEUR EST DIRECTEMENT RACCORDÉ À L'ALIMENTATION SECTEUR.

### **ATTENTION AUX COMPOSANTS RELATIFS A LA SECURITE!!**

LES COMPOSANTS IDENTIFIES PAR UNE TRAME ET PAR UNE MARQUE  $\triangle$  SUR LES SCHEMAS DE PRINCIPE, LES VUES EXPLOSEES ET LES LISTES DE PIECES SONT D'UNEIMPORTANCE CRITIQUE POUR LA SECURITE DU FONCTIONNEMENT. NE LES REMPLACER QUE PAR DES COMPOSANTS SONY DONT LE NUMERO DE PIECE EST INDIQUE DANS LE PRESENT MANUEL OU DANS DES SUPPLEMENTS PUBLIES PAR SONY. LES REGLAGES DE CIRCUIT DONT L'IMPORTANCE EST CRITIQUE POUR LA SECURITE DU FONCTIONNEMENT SONT IDENTIFIES DANS LE PRESENT MANUEL. SUIVRE CES PROCEDURES LORS DE CHAQUE REMPLACEMENT DE COMPOSANTS CRITIQUES, OU LORSQU'UN MAUVAIS FONCTIONNEMENT SUSPECTE.

## SAFETY CHECK-OUT

After correcting the original service problem, perform the following safety checks before releasing the set to the customer:

1. Check the area of your repair for unsoldered or poorly-soldered connections. Check the entire board surface for solder splashes and bridges.
2. Check the interboard wiring to ensure that no wires are "pinched" or contact high-wattage resistors.
3. Check that all control knobs, shields, covers, ground straps, and mounting hardware have been replaced. Be absolutely certain that you have replaced all the insulators.
4. Look for unauthorized replacement parts, particularly transistors, that were installed during a previous repair. Point them out to the customer and recommend their replacement.
5. Look for parts which, though functioning, show obvious signs of deterioration. Point them out to the customer and recommend their replacement.
6. Check the line cords for cracks and abrasion. Recommend the replacement of any such line cord to the customer.
7. Check the B+ and HV to see if they are specified values. Make sure your instruments are accurate; be suspicious of your HV meter if sets always have low HV.
8. Check the antenna terminals, metal trim, "metallized" knobs, screws, and all other exposed metal parts for AC Leakage. Check leakage as described below.

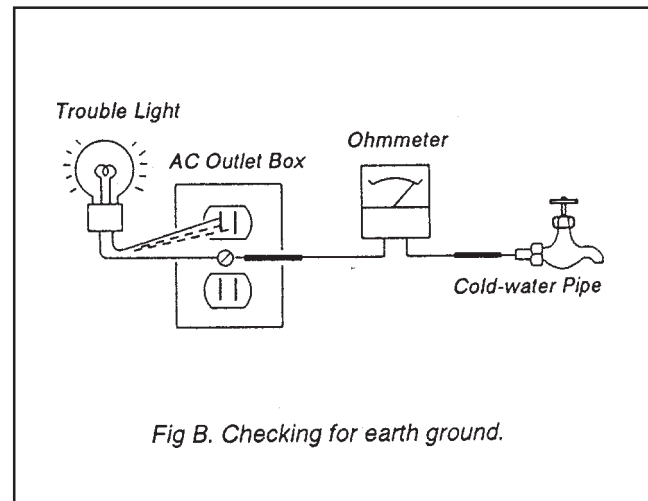
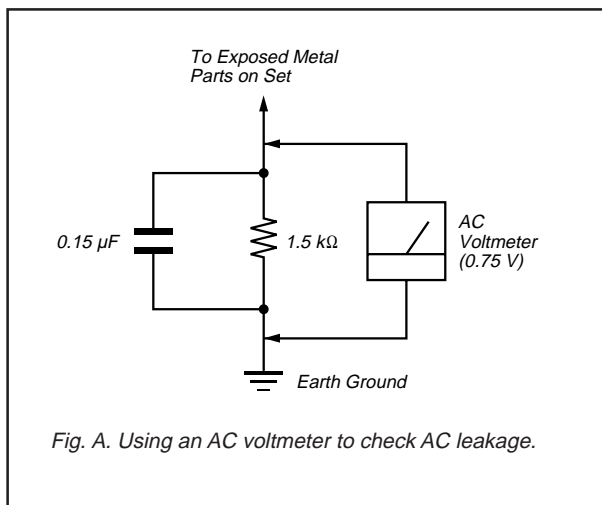
### LEAKAGE TEST

The AC leakage from any exposed metal part to earth ground and from all exposed metal parts to any exposed metal part having a return to chassis, must not exceed 0.5 mA (500 microampere). Leakage current can be measured by any one of three methods.

1. A commercial leakage tester, such as the Simpson 229 or RCA WT-540A. Follow the manufacturers' instructions to use these instructions.
2. A battery-operated AC milliammeter. The Data Precision 245 digital multimeter is suitable for this job.
3. Measuring the voltage drop across a resistor by means of a VOM or battery-operated AC voltmeter. The "limit" indication is 0.75 V, so analog meters must have an accurate low voltage scale. The Simpson's 250 and Sanwa SH-63Trd are examples of passive VOMs that are suitable. Nearly all battery operated digital multimeters that have a 2V AC range are suitable. (See Fig. A)

### HOW TO FIND A GOOD EARTH GROUND

A cold-water pipe is guaranteed earth ground; the cover-plate retaining screw on most AC outlet boxes is also at earth ground. If the retaining screw is to be used as your earth-ground, verify that it is at ground by measuring the resistance between it and a cold-water pipe with an ohmmeter. The reading should be zero ohms. If a cold-water pipe is not accessible, connect a 60-100 watts trouble light (not a neon lamp) between the hot side of the receptacle and the retaining screw. Try both slots, if necessary, to locate the hot side of the line, the lamp should light at normal brilliance if the screw is at ground potential. (See Fig. B)



# SECTION 1 GENERAL

The instructions mentioned here are partial abstracts from the Operating Instruction Manual. The page numbers shown reflect those of the Operating Instruction Manual.

## Welcome!

Thank you for purchasing the Sony Trinitron® Color TV. This manual is written for the models listed below. Before reading, check the model number located on the front of this manual or on the rear of your TV.

Model KV-35S45 is used for menu and illustration purposes. Differences in operation are indicated in the text; for example, "KV-35S45 only".

Model Number	Single User PIP system (PIP)	Dual User PIP system (PIP)	Ready To Use PIP	DBS	EXTRAVIDEO	FM/HiFi CHANGER with remote control	Hi-Fi VCR LINK
KV-32S40	•						
KV-32S45	•						
KV-32S65		•					
KV-32V40		•	•				
KV-32V65		•	•				
KV-35S40							
KV-35S45	•						
KV-35S65		•					
KV-35V65		•	•				

## Precautions

### Safety

- Operate the TV only with 120 V AC.
- The plug is designed, for safety purposes, to fit in the wall outlet only one way. If you are unable to insert the plug fully into the outlet, contact your dealer.
- If any liquid or solid object should fall inside the cabinet, unplug the TV immediately and have it checked by qualified personnel before operating it further.
- If you will not be using the TV for several days, disconnect power by pulling the plug itself. Never pull on the cord.

For details concerning safety precautions, see the supplied leaflet "IMPORTANT SAFEGUARDS".

### Installing

- To prevent internal heat build-up, do not block the ventilation openings.
- Do not install the TV in a hot or humid place, or in a place subject to excessive dust or mechanical vibration.

## Using This Manual

This manual is divided into four major sections. We recommend that you carefully review the contents of each section in the order presented to ensure that you fully understand the operation of your new TV.

- Connecting and Installing the TV**  
This section guides you through your initial set up. It shows how to connect to your antenna or cable, and connect any accessories or components.
- Basic Set Up**  
This section teaches you the basic skills needed to operate your new TV. It shows you how to operate special functions of the remote control.
- Using your New TV**  
This section shows you how to begin using your new TV. It shows how to use the Easy Set Up Guide feature, and how to use your remote control.
- Using your Menus**  
This section teaches you how to access on-screen menus and adjust your TV's settings.

Instructions in this manual are written for the remote control. Similar controls may be found on the TV console.

3

## Connecting and Installing the TV

### Making Connections

Refer to the table below, it will direct you to the diagram suitable to the components you will be connecting.

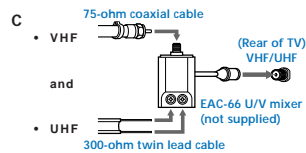
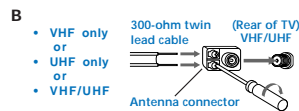
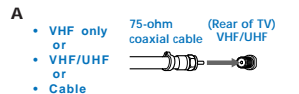
If you will be connecting	See page
Cable or antenna only	5
Cable and antenna (KV-32S65, 32V65, 35S65, 35V65 only)	5
Cable box	6
Cable box and cable to view scrambled channels (KV-32S65, 32V65, 35S65, 35V65 only)	6
VCR and cable or antenna	7
VCR and cable box	7
Direct Broadcast Satellite Receiver (DBS)	8
VCR and Direct Broadcast Satellite Receiver (DBS)	8
Digital Versatile Disc player (DVD)	9
Audio system	9
A/V receiver	10
Two VCR's for tape editing (KV-32V40, 32V65, 35V65 only)	10
Camcorder to view tapes	11
S-Link connections (KV-32S65, 32V65, 35S65, 35V65 only)	12

4

## Cable or Antenna Connections

### Connecting directly to cable or an antenna

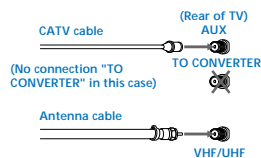
The connection you choose will depend on the cable found in your home. Newer homes will be equipped with standard coaxial cable (see A); older homes will probably have 300-ohm twin lead cable (see B); still other homes may contain both (see C).



### Cable and antenna

KV-32S65, 32V65, 35S65, 35V65 only  
If your cable provider does not feature local channels, you may find this set up convenient for viewing both local and cable channels.

Select cable or antenna mode by pressing ANT on the remote control. You will be able to alternate between the two input sources.



### Note

- In order to receive channels with an antenna, you will need to turn your CABLE to OFF (see page 26) and perform the AUTO PROGRAM function.

5

## Connecting and Installing the TV (continued)

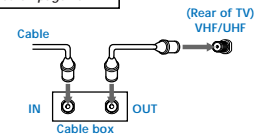
### Cable Box Connections

Some pay cable TV systems use scrambled or encoded signals that require a cable box to view all channels.

#### Cable box

- Connect the coaxial connector from your cable to the IN on your cable box.
- Using a coaxial cable, connect OUT on your cable box to VHF/UHF on your TV.

If you will be controlling all channel selection through your cable box, you should consider using the CHANNEL FIX feature discussed on page 26.



#### Cable box and cable

KV-32S65, 32V65, 35S65, 35V65 only  
For this set up, you can switch between scrambled channels (through your cable box), and normal (CATV) channels by pressing ANT on your remote control.

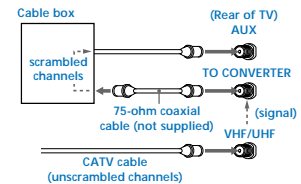
#### Notes

- Your Sony remote control can be programmed to operate your cable box. (see page 32)
- When using PIP, you cannot view the AUX input in the window picture.

#### Tip

Pressing ANT switches between these inputs.

If you are connecting a cable box through the AUX input and would like to switch between the AUX and normal (CATV) input you should consider using the CHANNEL FIX feature discussed on page 26.



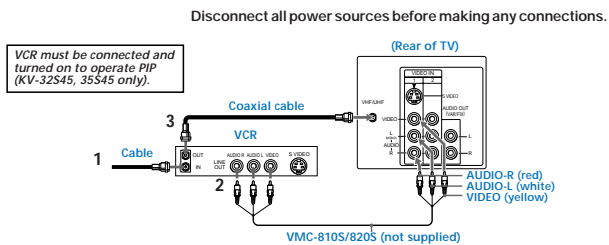
6

## VCR Connections

### Connecting an antenna/cable TV system with a VCR

- 1 Attach the coaxial connector from your cable or antenna to IN on your VCR.
- 2 Using A/V connectors, connect AUDIO and VIDEO OUT on your VCR to AUDIO and VIDEO IN on your TV.\*
- 3 Using a coaxial connector, connect OUT on your VCR to VHF/UHF on your TV.

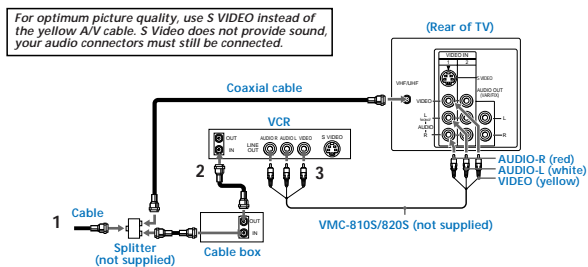
\* If you are connecting a monaural VCR, connect only the single white audio output to the left input on your TV.



### Connecting a VCR and TV with a cable box

You will need a splitter (not supplied) for the following connection.

- 1 Connect the single (input) jack of the splitter to your incoming cable connection. Connect the other two (output) jacks (using coaxial cable) to IN on your cable box and VHF/UHF on your TV.
- 2 Using a coaxial connector, connect OUT on your cable box to IN on your VCR.
- 3 Using A/V connectors, connect AUDIO and VIDEO OUT on your VCR to AUDIO and VIDEO IN on your TV.



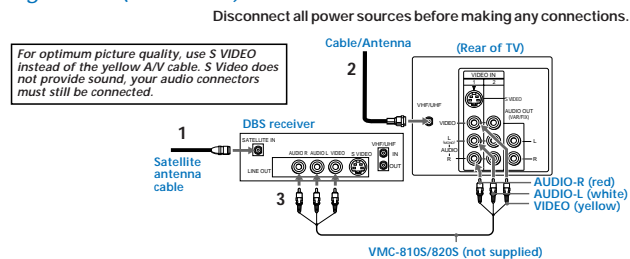
7

## Connecting and Installing the TV (continued)

### DBS Connections

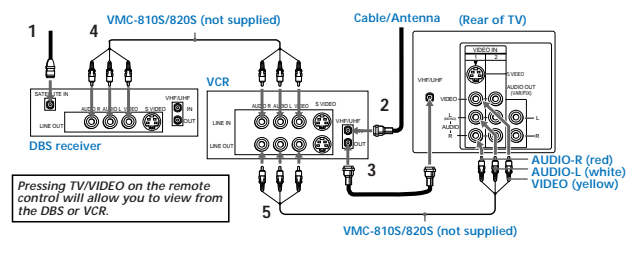
#### Connecting a DBS (Direct Broadcast Satellite) receiver

- 1 Connect the cable from your satellite antenna to your DBS receiver.
- 2 Attach the coaxial connector from your cable or antenna to VHF/UHF on your TV.
- 3 Using A/V connectors, connect AUDIO and VIDEO OUT on your DBS receiver to AUDIO and VIDEO IN on your TV.



#### Connecting a DBS (Direct Broadcast Satellite) receiver and a VCR

- 1 Connect the cable from your satellite antenna to your DBS receiver.
- 2 Attach the coaxial connector from your cable or antenna to VHF/UHF IN on your VCR.
- 3 Using a coaxial connector, connect VHF/UHF OUT on your VCR to VHF/UHF on your TV.
- 4 Using A/V connectors, connect AUDIO and VIDEO OUT on your DBS receiver to AUDIO and VIDEO IN on your VCR.
- 5 Using A/V connectors, connect AUDIO and VIDEO OUT on your VCR to AUDIO and VIDEO IN on your TV.



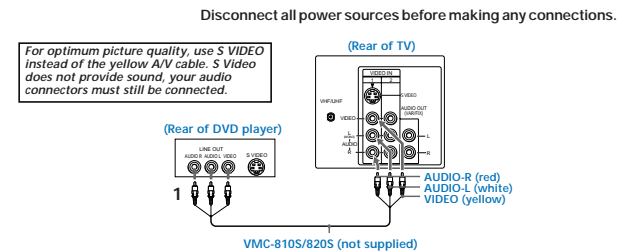
8

## Additional Connections

The following connections are for accessories that will enhance your viewing options.

### Connecting a DVD Player

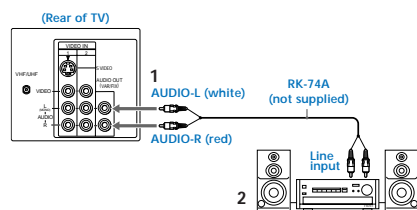
- 1 Using A/V connectors, connect LINE OUT on your DVD to VIDEO IN on your TV.



### Connecting an audio system

For enhanced sound, connect your audio system to your TV.

- 1 Using AUDIO connectors, connect AUDIO OUT on your TV to one of the unused line inputs (e.g. TV, AUX, TAPE 2) on your stereo.
- 2 Set your stereo to the chosen line input. Refer to page 24 of this manual for additional audio setup instructions.



9

## Connecting and Installing the TV (continued)

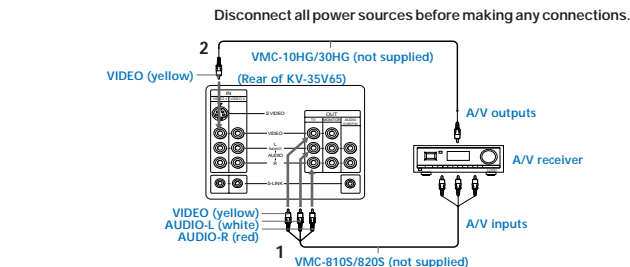
### Connecting an A/V receiver

• KV-32V65, 35V65 only

- 1 Using A/V cables, connect TV OUT on your TV to TV IN on your A/V receiver.
- 2 Using a single video connector, connect Monitor OUT on your A/V receiver to VIDEO 1 IN on your TV.

**Tip**

You may want to use CHANNEL FIX to set your TV's input to the A/V receiver. See page 26.

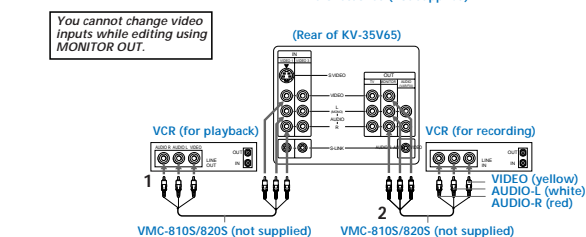


### Connecting two VCRs

• KV-32V40, 32V65, 35V65 only

MONITOR OUT gives you the ability to use a second VCR to record a program being played by the primary VCR or to perform tape editing and dubbing.

- 1 Connect the VCR intended for playback using the setup instructions on page 7 of this manual.
- 2 Using A/V connectors, connect AUDIO and VIDEO IN on your VCR intended for recording to MONITOR AUDIO and VIDEO OUT on your TV.



10



## Connecting a camcorder

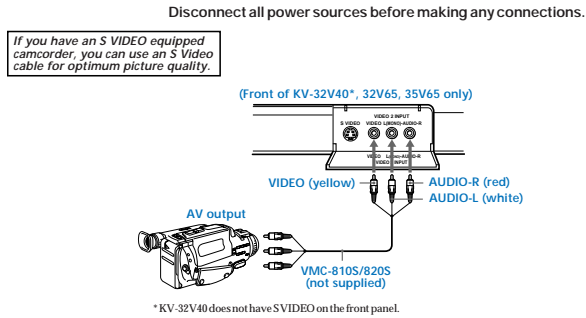
This connection is convenient for viewing a picture directly from your camcorder.

Using A/V connectors, connect AUDIO and VIDEO OUT on your camcorder to AUDIO and VIDEO IN on your TV.

Connection can also be made directly to your A/V input located on the rear of your TV.

### Note

- If you are connecting a monaural camcorder, connect only the single white audio output to the left input on your TV.



11

## Operating Video Equipment

### Programming the remote

You can use the supplied remote control to operate Sony or non-Sony video equipment.

- Press CODE SET.
- Press VTR/DVD (FUNCTION).
- Use the 0-9 buttons to key in the manufacturer's code number from the following chart.
- Press ENTER.

### VCR code numbers

Manufacturer	Code
Sony	301, 302, 303
Admiral (M. Ward)	327
Aiwa	338, 344
Audio Dynamic	314, 337
Broksonic	319, 317
Canon	309, 308
Citizen	332
Craig	302, 332
Criterion	315
Curtis Mathis	304, 338, 309
Daewoo	341, 312, 309
DBX	314, 336, 337
Dimensia	304
Emerson	319, 320, 316, 317, 318, 341
Fisher	330, 335
Funai	338
General Electric	329, 304, 309
Go Video	322, 339, 340

Goldstar	332
Hitachi	306, 304, 305, 338
Instant Replay	309, 308
JC Penney	309, 305, 304, 330, 314, 336, 337
JVC	314, 336, 337, 345, 346, 347
Kenwood	314, 336, 332, 337
LXI (Sears)	332, 305, 330, 335, 338
Magnavox	308, 309, 310
Marantz	314, 336, 337
Marta	332
Memorex	309, 335
Mitsubishi	305, 304
Mitsubishi/MGA	323, 324, 325, 326
Multitech	325, 338, 321
NEC	314, 336, 337
Olympic	309, 308
Optimus	327
Panasonic	308, 309, 306, 307
Pentax	305, 304
Philco	308, 309
Philips	308, 309, 310
Pioneer	308
Quasar	308, 309, 306
RCA/PROSCAN	304, 305, 308, 309, 311, 312, 313, 310, 329
Realistic	309, 330, 328, 335, 324, 338
Sansui	314
Samsung	322, 313, 321
Sanyo	330, 335
Scott	312, 313, 321, 335, 323, 324, 325, 326
Sharp	327, 328
Shintom	315
Signaturo 2000 (M. Ward)	338, 327
SV2000	338
Sylvania	308, 309, 338, 310
Symphonic	338

Tashiro	332
Tatung	314, 336, 337
Teac	314, 336, 338, 337
Technics	309, 308
Toshiba	312, 311
Wards	327, 328, 335, 331, 332
Yamaha	314, 330, 336, 337
Zenith	331

Operating a VCR	Buttons on the remote control
To turn on or off	Press VTR/DVD (POWER).
To select a channel directly	Press the 0 - 9 buttons.
To change channels	Press CH +/-.
To record	Press <b>▶</b> and <b>●</b> simultaneously.
To play	Press <b>▶</b> .
To stop	Press <b>■</b> .
To fast forward	Press <b>▶▶</b> .
To rewind the tape	Press <b>◀◀</b> .
To pause	Press <b>  </b> .
	To resume normal playback, press again or press <b>▶</b> .
To scan	Press <b>▶▶</b> or <b>◀◀</b> during playback.
	To resume normal playback, release the button.
To change input mode	Press TV/VTR.

## Connecting and Installing the TV (continued)

### S-Link connections

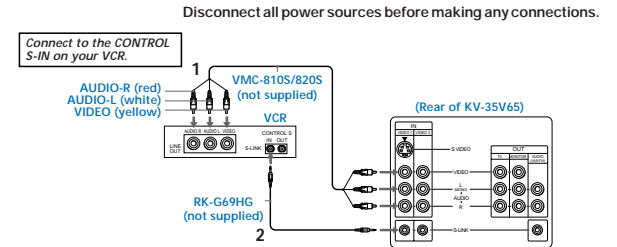
- KV-32S65, 32V65, 35S65, 35V65 only

S-Link is designed to allow your Sony components to "communicate".

### Connecting S-Link to a VCR

S-Link will automatically power on the TV and switch to the correct video input when a tape is inserted in the VCR.

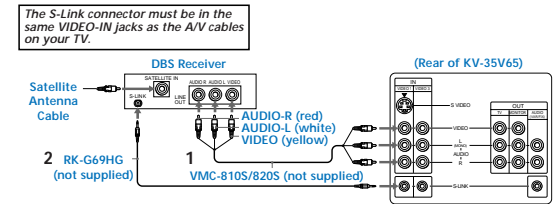
- Using A/V connectors, connect AUDIO and VIDEO OUT on your VCR to AUDIO and VIDEO IN on your TV.
- Using an S-Link connector (mono mini plug), connect S-LINK/CONTROL S-IN on your VCR to S-LINK on your TV.



### Connecting S-Link to a DBS

S-Link will automatically power on the TV and switch to the correct video input when you power on the DBS.

- Using A/V connectors, connect AUDIO and VIDEO OUT on your DBS to AUDIO and VIDEO IN on your TV.
- Using an S-Link connector (mono mini plug), connect S-LINK on your DBS to S-LINK on your TV.



12

### Tips

- In some rare cases, you may not be able to operate your non-Sony video equipment with the supplied remote control. In this case, please use the equipment's own remote control.
- When you remove the batteries, the code number may revert to the factory setting.
- The code numbers for Sony VCR's are assigned at the factory as follows:

VHS VCR	301
	(preset code for the supplied remote control)
8 mm VCR	302
Beta, ED Beta VCRs	303

### MDP (Multi Disc Player) code numbers

Manufacturer	Code
Sony	701
Panasonic	704, 710
Pioneer	702

### Operating an MDP Buttons on the remote control

To turn on or off	Press VTR/DVD (POWER).
To play	Press <b>▶</b> .
To stop	Press <b>■</b> .
To pause	Press <b>  </b> .
	To resume normal playback, press again or press <b>▶</b> .
To scan	Press <b>▶▶</b> or <b>◀◀</b> during playback.
	To resume normal playback, press <b>▶</b> .
To search the chapter forward or backward	Press CH +/-.

### Tip

If you will not be programming a DBS or cable box into the DBS/CABLE input, you can use it to program other video equipment (e.g. DVD, MDP, or second VCR). (see page 30)

### DVD (Digital Versatile Disc) code numbers

Manufacturer	Code
Sony	751
Panasonic	753
Pioneer	752
RCA	755
Toshiba	754

### Operating a DVD player Buttons on the remote control

To turn on or off	Press VTR/DVD (POWER).
To play	Press <b>▶</b> .
To stop	Press <b>■</b> .
To pause	Press <b>  </b> .
	To resume normal playback, press again or press <b>▶</b> .
To scan	Press <b>▶▶</b> or <b>◀◀</b> during playback.
	To resume normal playback, press <b>▶</b> .
To search the chapter forward or backward	Press CH +/-.
To select chapters directly	0-9 + ENTER.
MENU	Press to display DVD menu.
To move cursor in menu	Use your arrow buttons <b>↑</b> , <b>↓</b> , <b>←</b> , <b>→</b> .

## Operating a Cable Box or DBS Receiver

### Programming the remote

You can program the supplied remote control to operate a cable box or DBS receiver.

- 1 Press CODE SET.
- 2 Press DBS/CABLE (FUNCTION).
- 3 Use the 0-9 buttons to key in the manufacturer's code number from the following chart.
- 4 Press ENTER.

### For more details on operating the cable box or DBS receiver

Refer to the operating instructions that were supplied with the equipment.

### If the remote control doesn't work

- First, try repeating the setup procedures using the other codes listed for your equipment.

#### Tips

- If more than one code number is listed, try entering them one by one until you come to the correct code for your equipment.
- If you enter a new code number, the code number you previously entered at that setting is erased.
- In some rare cases, you may not be able to operate your equipment with the supplied remote control. In this case, use the equipment's supplied remote control.
- Whenever you remove the batteries the code numbers may revert to the factory setting.

### Cable box code numbers

Manufacturer	Code
Hamlin/Regal	222, 223, 224, 225, 226
Jerrod/G. I.	201, 202, 203, 204, 205, 206, 207, 208, 218
Oak	227, 228, 229
Panasonic	219, 220, 221
Pioneer	214, 215
Scientific Atlanta	209, 210, 211
Tocom	216, 217
Zenith	212, 213

### DBS receiver code numbers

Manufacturer	Code
Sony	801 (preset code for remote control)
General Electric	802
Hitachi	805
Hughes	804
Panasonic	803
RCA/PROSCAN	802, 808
Toshiba	806, 807

32

## Troubleshooting

Consult the table below; it suggests solutions to specific problems.

Problem	What it could be	What you can do
Cannot operate single tuner PIP (KV-32S45, 35S45)	<ul style="list-style-type: none"> <li>• VCR may not be connected to your TV properly.</li> <li>• VCR may not be turned on.</li> <li>• The remote control may not be programmed to operate the VCR.</li> </ul>	<ul style="list-style-type: none"> <li>• Ensure that you have set your VCR correctly. (see page 7)</li> <li>• Program your remote control to operate the VCR. (see page 30)</li> </ul>
A red light keeps flashing on the TV for more than a few seconds	<ul style="list-style-type: none"> <li>• Your TV may need service.</li> </ul>	<ul style="list-style-type: none"> <li>• Call your local Sony service center.</li> </ul>
TV makes a noise when turned on	<ul style="list-style-type: none"> <li>• This is a normal function of your TV.</li> </ul>	
Screen is not lit and there is no sound	<ul style="list-style-type: none"> <li>• Power cord may not be plugged in.</li> <li>• Batteries may not have been placed with the correct polarity.</li> <li>• TV/VIDEO setting may be incorrect.</li> </ul>	<ul style="list-style-type: none"> <li>• Press TV/VIDEO until you receive a channel.</li> </ul>
Poor or no picture (screen lit), good sound	<ul style="list-style-type: none"> <li>• VIDEO menu settings may not be adjusted correctly.</li> <li>• Antenna/cable connections may be faulty.</li> <li>• VIDEO LABEL inputs may be set to WEB. (This label darkens the screen for ideal WebTV viewing)</li> </ul>	<ul style="list-style-type: none"> <li>• Readjust your VIDEO menu settings. (see page 22)</li> <li>• Check your VIDEO LABEL settings. (see page 28)</li> </ul>
Good picture, no sound	<ul style="list-style-type: none"> <li>• Sound may be set to MUTING.</li> <li>• Your TV may be set to SAP.</li> <li>• Speaker may not be set correctly.</li> </ul>	<ul style="list-style-type: none"> <li>• Press MUTE.</li> <li>• Check the MTS setting in the AUDIO menu. (see page 23)</li> <li>• Check your SPEAKER settings. (see page 23)</li> </ul>
No color	<ul style="list-style-type: none"> <li>• Color settings may not be adjusted correctly.</li> </ul>	<ul style="list-style-type: none"> <li>• Adjust the COLOR settings in the VIDEO menu. (see page 22)</li> </ul>

33

Problem	What it could be	What you can do
Only snow and noise appear on the screen	<ul style="list-style-type: none"> <li>• CABLE may not be set correctly in the SET UP menu.</li> <li>• Antenna/cable connections may not be correct.</li> <li>• TV may be set to AUX mode.</li> </ul>	<ul style="list-style-type: none"> <li>• Ensure that you have selected the correct CABLE mode in the SET UP menu. (see page 26)</li> <li>• Press ANT on your remote control to change the input mode. (see page 16)</li> </ul>
Cannot receive upper channels (UHF) when using an antenna	<ul style="list-style-type: none"> <li>• CABLE setting may not be correct in the SET UP menu.</li> </ul>	<ul style="list-style-type: none"> <li>• Ensure that CABLE is set to OFF in the SET UP menu. (see page 26)</li> <li>• Use AUTO PROGRAM to add receivable channels that are not presently in TV memory. (see page 26)</li> </ul>
Cannot receive any channels when using cable	<ul style="list-style-type: none"> <li>• CABLE setting may not be set correctly in the SET UP menu.</li> </ul>	<ul style="list-style-type: none"> <li>• Ensure that CABLE is set to ON in the SET UP menu. (see page 26)</li> <li>• Use AUTO PROGRAM to add receivable channels that are not presently in TV memory. (see page 26)</li> </ul>
Cannot gain enough volume when using a cable box	<ul style="list-style-type: none"> <li>• Volume may not be adjusted on your cable box.</li> </ul>	<ul style="list-style-type: none"> <li>• Press TV (FUNCTION) and adjust the TV's volume.</li> </ul>
TV is fixed to one channel	<ul style="list-style-type: none"> <li>• CHANNEL FIX settings may not be correct.</li> </ul>	<ul style="list-style-type: none"> <li>• Check your CHANNEL FIX settings. (see page 26)</li> </ul>

If, after reading these operating instructions, you have additional questions related to the use of your Sony television, please call our Direct Response Center at 1-800-222-SONY (7669). (U.S. residents only)

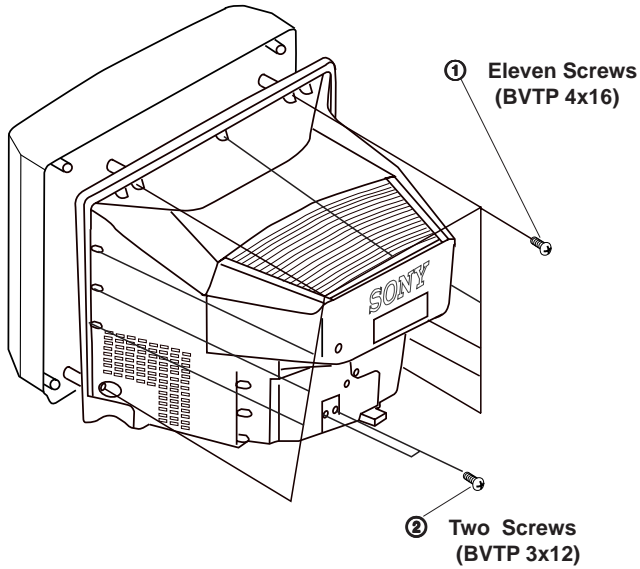
34



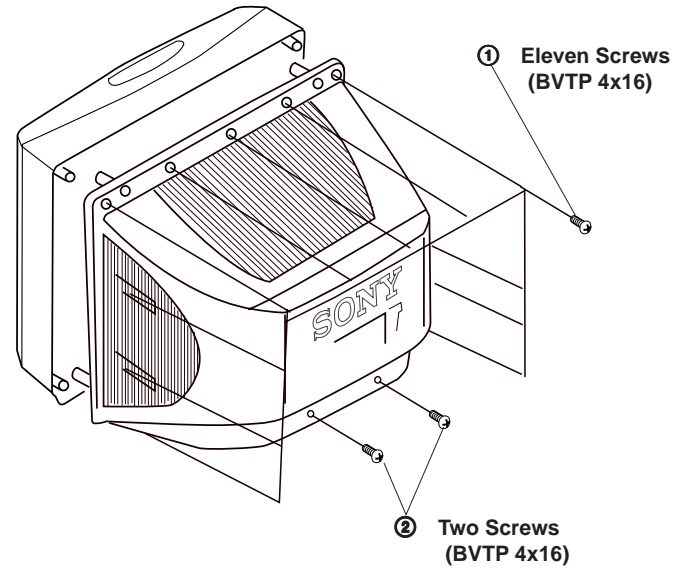
## SECTION 2 DISASSEMBLY

### 2-1. REAR COVER REMOVAL

(KV-32S40/34SL40/34SL40C/32S45/34SL45/34SL40T/  
32V40/32V65/34VL65/34VL65C)

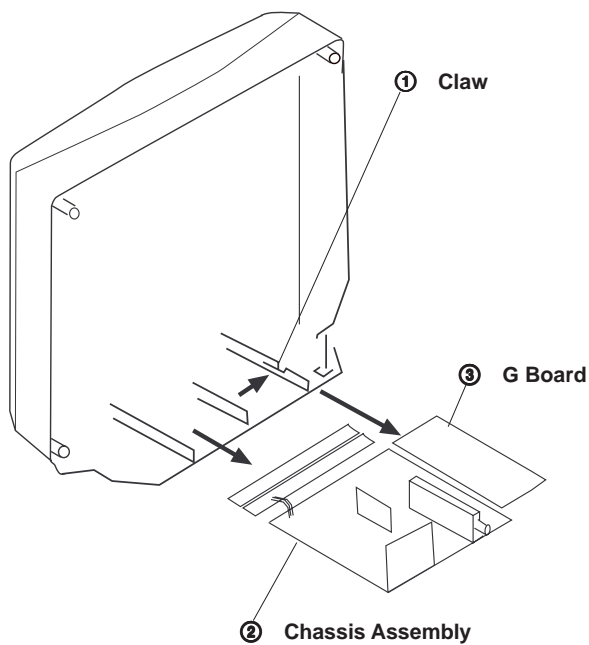


(KV-35S40/35S45/37SL45/37VL65/37VL65C)

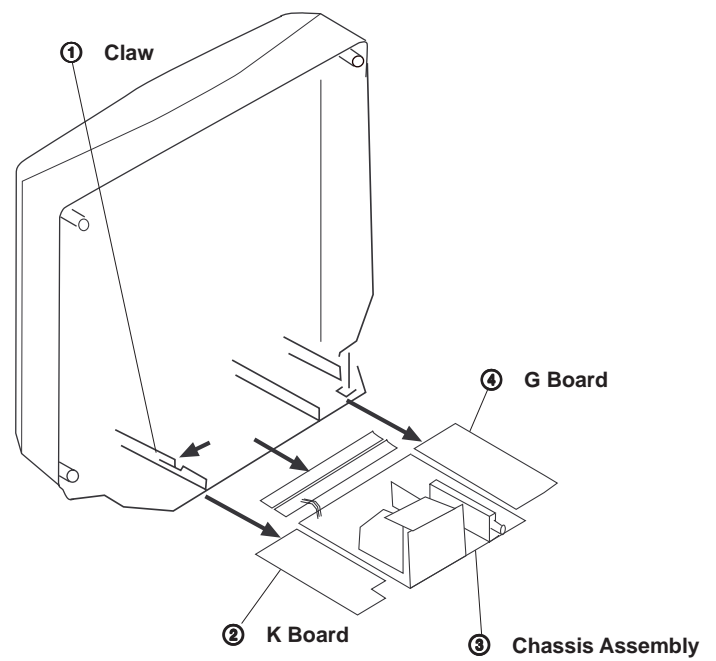


### 2-2. CHASSIS ASSEMBLY REMOVAL

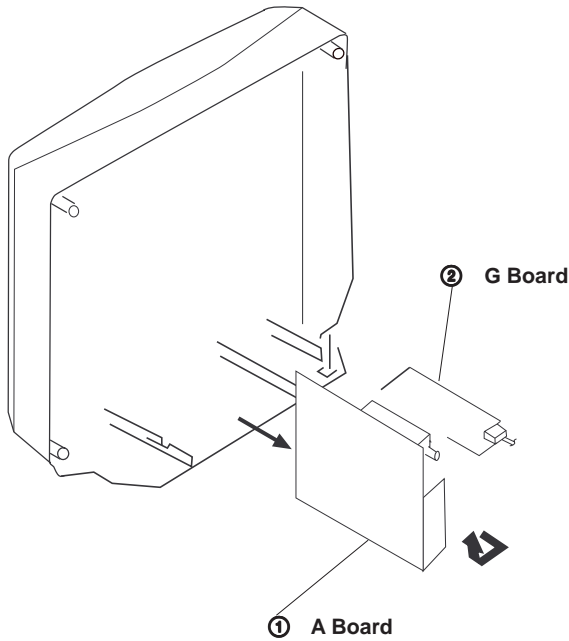
(KV-32S40/34SL40/34SL40C/32S45/  
34SL45/35S40/35S45/37SL45/34SL40T)



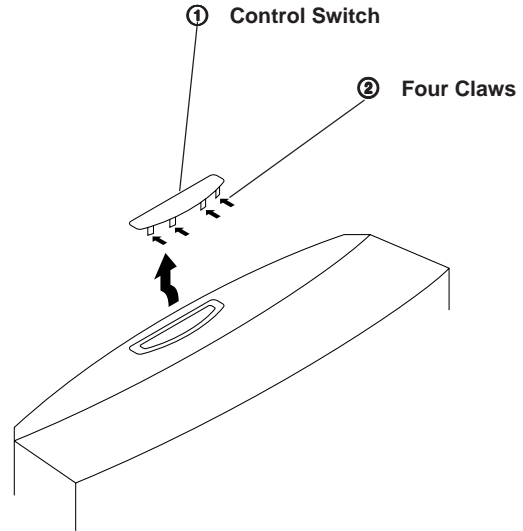
(KV-32V40/32V65/34VL65/34VL65C/35V65/  
37VL65/37VL65C)



## 2-3. SERVICE POSITION



## 2-4. CONTROL SWITCH REMOVAL (KV-32V65/34VL65/34VL65C/35VL65/35VL65C/37VL65C)

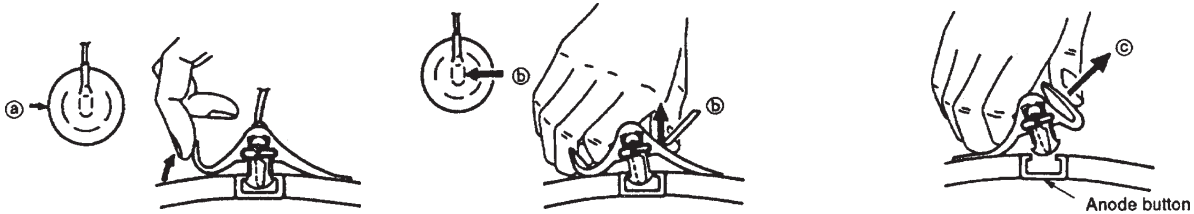


## ANODE-CAP REMOVAL

**WARNING:** High voltage remains in the CRT even after the power is disconnected. To avoid electrical shock, discharge CRT before attempting to remove the anode cap. Short between anode and coated earth ground strap of CRT.

**NOTE:** After removing the anode, short circuit the anode of the picture tube and the anode cap to either the metal chassis, CRT shield or carbon painted on the CRT.

## REMOVAL PROCEDURES



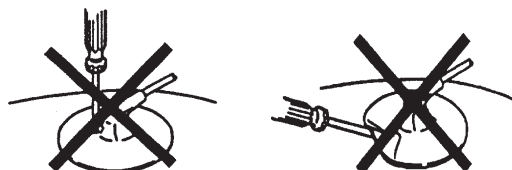
① Turn up one side of the rubber cap in the direction indicated by arrow ①.

② Use your thumb to pull the rubber cap firmly in the direction indicated by arrow ②.

③ When one side of the rubber cap separates from the anode button, the anode-cap can be removed by turning the rubber cap and pulling it in the direction of arrow ③.

## HOW TO HANDLE AN ANODE-CAP

- ① Do not use sharp objects which may cause damage to the surface of the anode-cap.
- ② Do not squeeze the rubber covering too hard to avoid damaging the anode-cap. A material fitting called a shatter-hook terminal is built into the rubber.
- ③ Do not force turn the foot of the rubber cover. This may cause the shatter-hook terminal to protrude and damage the rubber.

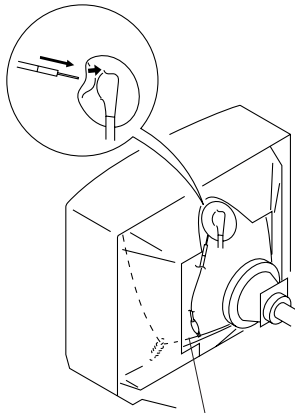


**2-5-1. PICTURE TUBE REMOVAL (KV-32S40/34SL40/34SL40C/32S45/34SL45/34SL40T/32V40/32V65/34VL65/34VL65C)**

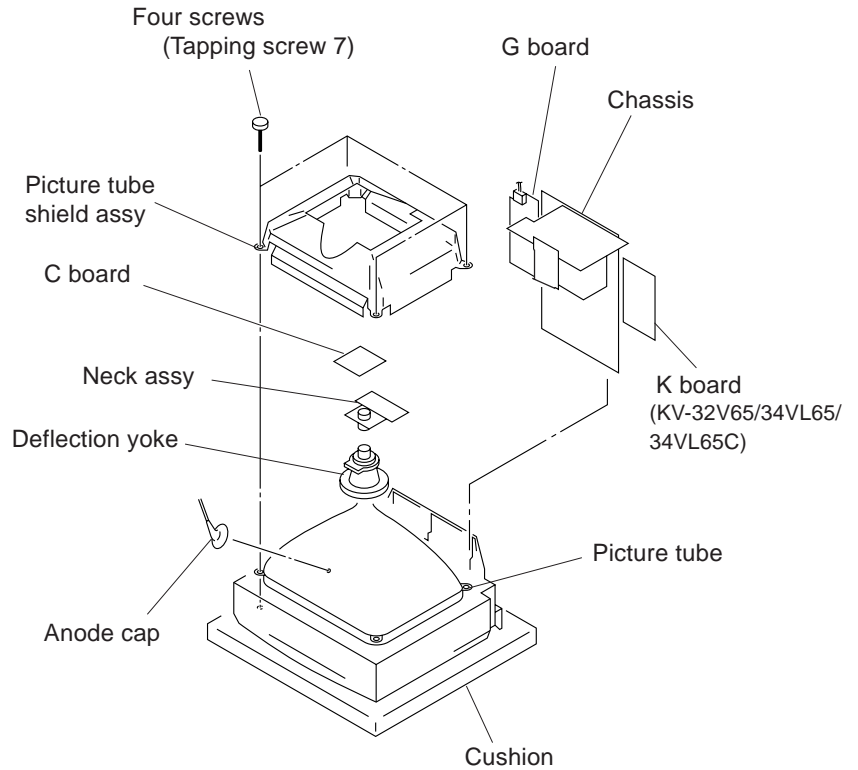
**WARNING -- Before removing anode cap:**

High voltage remains in the CRT even after the power is disconnected.

To avoid electrical shock, discharge CRT before attempting to remove the anode cap. Short between anode and coated earth ground strap of CRT.



Coated earth ground strap

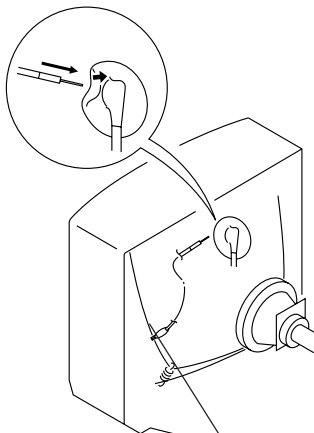


**2-5-2. PICTURE TUBE REMOVAL (KV-35S40/35S45/37SL45/37VL65/37VL65C)**

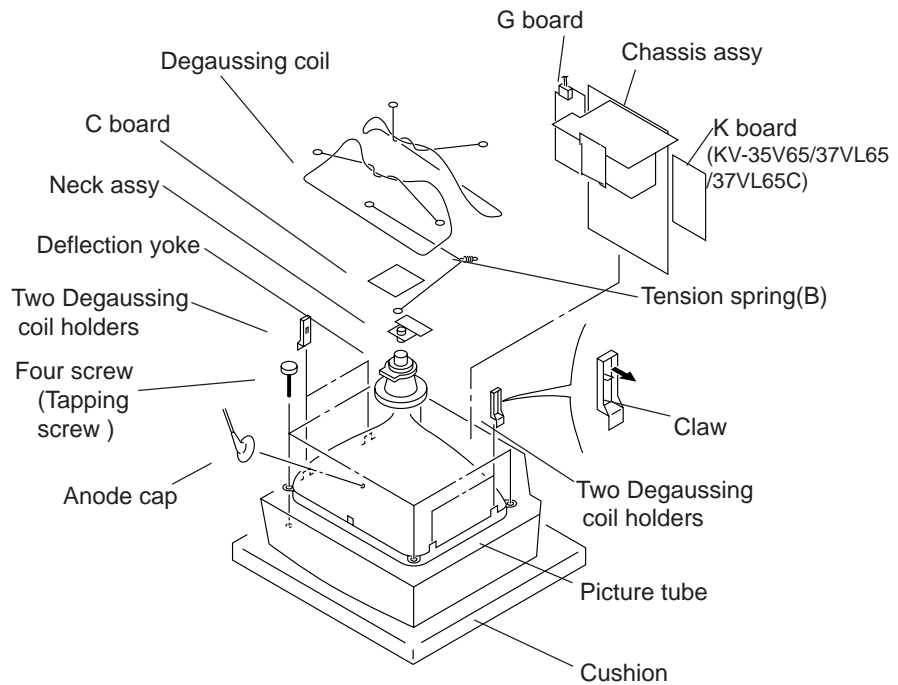
**WARNING -- Before removing anode cap:**

High voltage remains in the CRT even after the power is disconnected.

To avoid electrical shock, discharge CRT before attempting to remove the anode cap. Short between anode and coated earth ground strap of CRT.



Coated earth ground strap



## SECTION 3 SET-UP ADJUSTMENTS

The following adjustments should be made when a complete realignment is required or a new picture tube is installed.

These adjustments should be performed with rated power supply voltage unless otherwise noted.

The controls and switch should be set as follows unless otherwise noted:

PICTURE control ..... normal

BRIGHTNESS control ..... normal

Perform the adjustments in order as follows:

1. Beam Landing
2. Convergence
3. Focus
4. Screen (G2)/White Balance

**Note:** Test Equipment Required

1. Color Bar Pattern Generator
2. Degausser
3. DC Power Supply
4. Digital Multimeter

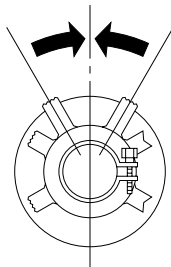
### 3-1. BEAM LANDING

**Preparation:**

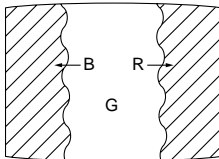
- Input a white pattern signal.
- Face the picture tube in a East or West direction to reduce the influence of geomagnetism.

NOTE: Do not use the hand degausser because it magnetizes the CRT .

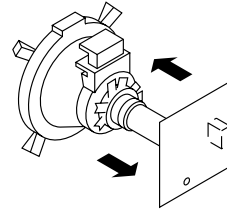
1. Input white pattern from pattern generator.
2. Loosen the deflection yoke mounting screw, and set the purity control to the center as shown below:



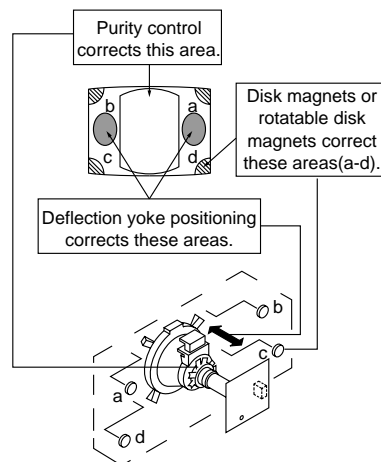
3. Input green pattern from pattern generator.
4. Move the deflection yoke backward, and adjust with the purity control so that green is in the center and red and blue are even on both sides.



5. Move the deflection yoke forward, and adjust so that the entire screen becomes green.



6. Switch over the raster signal to red and blue and confirm the condition.
7. When the position of the deflection yoke is determined, tighten it with the deflection yoke mounting screw.
8. When landing at the corner is not right, adjust by using the disk magnets.



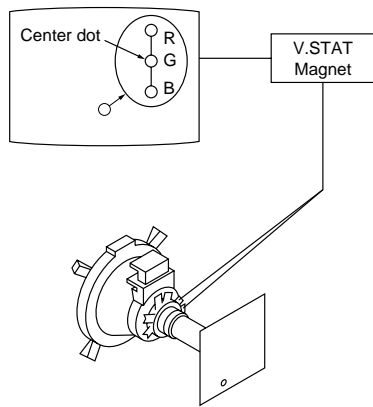
## 3-2. CONVERGENCE

### Preparation:

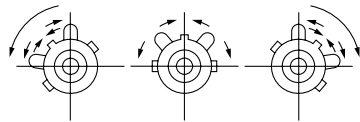
- Before starting, perform FOCUS, V. LIN and V. SIZE adjustments.
- Set BRIGHTNESS control to minimum.
- Input dot pattern.

### (1) Vertical and Horizontal Static Convergence

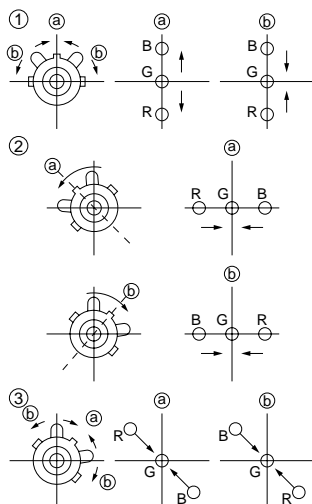
1. Adjust V. STAT magnet to converge red, green and blue dots in the center of the screen. (Vertical movement)



Tilt the V. STAT magnet and adjust static convergence to open or close the V. STAT magnet.



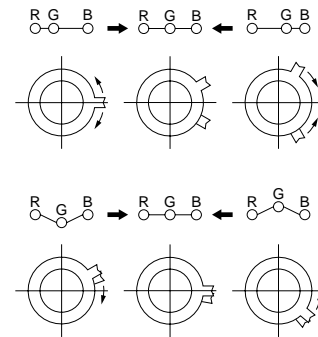
2. When the V. STAT magnet is moved in the direction of arrow (a) and (b), red, green, and blue dots move as shown below:



### Operation of BMC (Hexapole) Magnet

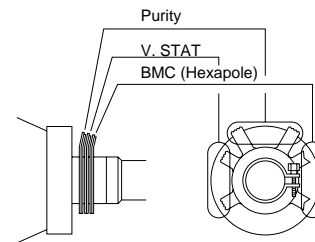
The respective dot positions resulting from moving each magnet interact, so perform adjustment while tracking.

Use the VSTAT tabs to adjust the red, green, and blue dots so they line up at the center of the screen (move the dots in a horizontal direction.)



### Y Separation Axis Correction Magnet Adjustment

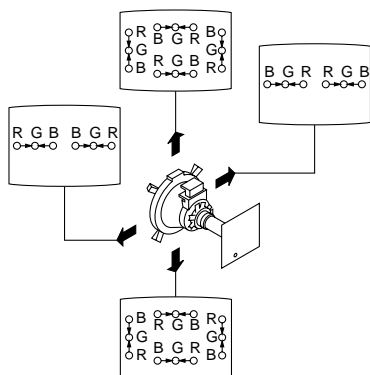
1. Input cross-hatch pattern, adjust PICTURE to minimum and BRIGHTNESS to normal.
2. Adjust the deflection yoke upright so it touches the CRT.
3. Adjust so that the Y separation axis correction magnet on the neck assembly is symmetrical from top to bottom (open state).



4. Return the deflection yoke to its original position.

## (2) Dynamic Convergence Adjustment

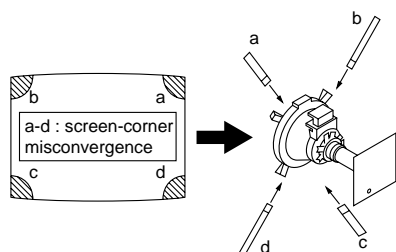
- Before starting, perform Horizontal and Vertical Static Convergence Adjustment.
- Slightly loosen deflection yoke screw.
  - Remove deflection yoke spacers.
  - Move the deflection yoke for best convergence as shown below:



- Tighten the deflection yoke screw.
- Install the deflection yoke spacers.

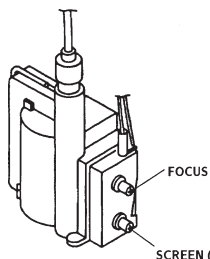
## (3) Screen-corner Convergence

Affix a permalloy assembly corresponding to the misconverged areas:



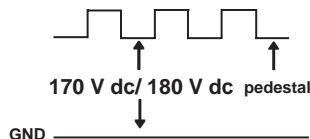
## 3-3. FOCUS

Adjust FOCUS control for best picture.



## 3-4. SCREEN (G2)

- Input dot pattern from the pattern generator.
- Set the PICTURE and BRIGHT controls at normal.
- Adjust S BRT, G CUT, B CUT in service mode with an oscilloscope so that voltages on the red, green, and blue cathodes are 170Vdc for 35"/37" and 180Vdc for 32"/34".
- Observe the screen and adjust SCREEN (G2) VR to obtain the faintly visible background of dot signal.



## 3-5. WHITE BALANCE ADJUSTMENTS

NO.	Disp.	Item	Avg/32"	Avg/35"
16	GDRV	Green Drive	33	45
17	BDRV	Blue Drive	33	45
18	GCUT	Green Cut-off	3	6
19	BCUT	Blue Cut-off	2	6
23	SBRT	Sub Bright	14	10

- Input an entire white signal.
- Set to Service adjustment Mode.
- Set DCOL to "0"
- Set the PICTURE and BRIGHT to minimum.
- Adjust with SBRT if necessary.
- Select GCUT and BCUT with **[1]** and **[4]**.
- Adjust with **[3]** and **[6]** for the best white balance.
- Set the PICTURE and BRIGHT to maximum.
- Select GDRV and BDRV with **[1]** and **[4]**.
- Adjust with **[3]** and **[6]** for the best white balance.
- Reset DCOL to "1".
- Write into the memory by pressing **[MUTING]** then **[ENTER]\*\***.



## SECTION 4 SAFETY RELATED ADJUSTMENTS

### R530, R531 CONFIRMATION METHOD (HOLD-DOWN CONFIRMATION) AND READJUSTMENTS

Always perform the following adjustments when replacing the following components marked with a ■ mark on the schematic diagram:

<b>A BOARD:</b>	IC351, IC501, D519, D520, D521, C531, C532, R387, R529, R530, R531, R532, R533, R550, T503
-----------------	--

<b>G BOARD:</b>	IC643, R661
-----------------	-------------

#### Step 1 Preparation before Confirmation

Turn the POWER switch ON.

Input a white signal and set the PICTURE and BRIGHT controls to maximum.

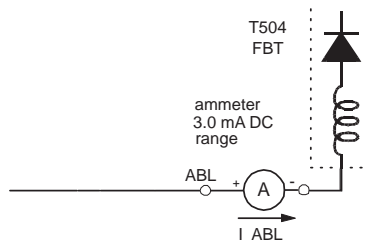
Confirm that the voltage at the check terminal of TP85 is more than 18.0 V DC when the set is operating normally.

At AC input:  $120.0 \pm 2.0$  VAC  
or  $220.0 \pm 2.0$  VAC (for 34SL40C/34VL65C/37VL65C only)

#### Step 2

Input a white signal and verify that I ABL is within the specified range:  $2160 \pm 100$   $\mu$ A.

At AC input:  $120.0 \pm 2.0$  VAC  
or  $220.0 \pm 2.0$  VAC (for 34SL40C/34VL65C/37VL65C only)



#### Step 3

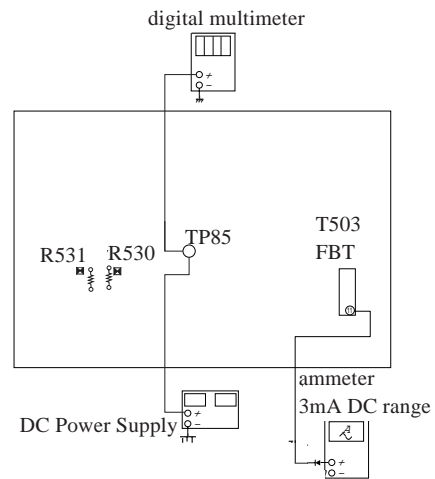
Record the voltage between TP85 and ground.

#### Step 4

Using an external DC power supply, apply voltage between TP85 and ground.

Increase the voltage gradually and confirm that the holddown works (raster disappears) at lower than the voltage recorded in Step 3.

Lower than 22.05 V DC  
At AC input:  $120.0 \pm 2.0$  VAC  
or  $220.0 \pm 2.0$  VAC (for 34SL40C/34VL65C/37VL65C only)



**A BOARD - CONDUCTOR SIDE**

#### Step 5

Confirm that a voltage of more than 18.0 V DC appears between TP85 and ground.

At AC input:  $120.0 \pm 2.0$  VAC  
or  $220.0 \pm 2.0$  VAC (for 34SL40C/34VL65C/37VL65C only)

### B+ VOLTAGE CONFIRMATION AND ADJUSTMENT

Always perform the following adjustments when replacing the following components marked with ■ on the schematic diagram:

<b>G BOARD:</b> IC643, R661
-----------------------------

- 1) Using Variac, apply AC input voltage:  $130 \pm 2.0$  VAC (or  $220.0 \pm 2.0$  VAC for 34SL40C/34VL65C/37VL65C only)
- 2) Input a monoscope signal.
- 3) Set the PICTURE control and the BRIGHT control to initial reset value.
- 4) Confirm the voltage of G BOARD CN641 between pin ① to ground is less than  $135.5 \pm 1.0$  V DC.
- 5) If step 4 is not satisfied, replace the R661 and repeat the above steps.

## SECTION 5 CIRCUIT ADJUSTMENTS

### ELECTRICAL ADJUSTMENT BY REMOTE COMMANDER

Use Remote Commander (RM-Y167) to perform the following circuit adjustments:

NOTE : Test Equipment Required:

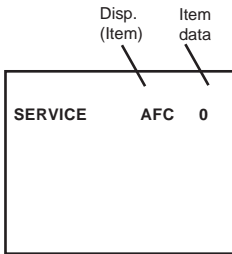
1. Pattern Generator
2. Frequency Counter
3. Digital Multimeter
4. Audio OSC

#### (1) Method of Setting the Service Adjustment Mode

##### SERVICE MODE PROCEDURE

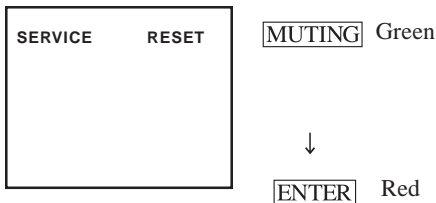
1. Standby mode. (Power off)
2. **DISPLAY** → **5** → **VOL(+)** → **POWER** on the Remote Commander.  
(Press each button within a second.)

##### SERVICE ADJUSTMENT MODE IN

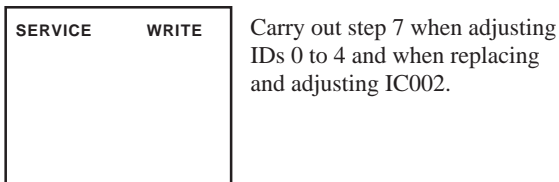


3. The CRT displays the item being adjusted.
4. Press **1** or **4** on the Remote Commander to select the item.
5. Press **3** or **6** on the Remote Commander to change the data.
6. Press **MUTING** then **ENTER** to write into memory\*\*.

##### SERVICE ADJUSTMENT MODE MEMORY



7. Press **8** then **ENTER** on the Remote Commander to initialize.

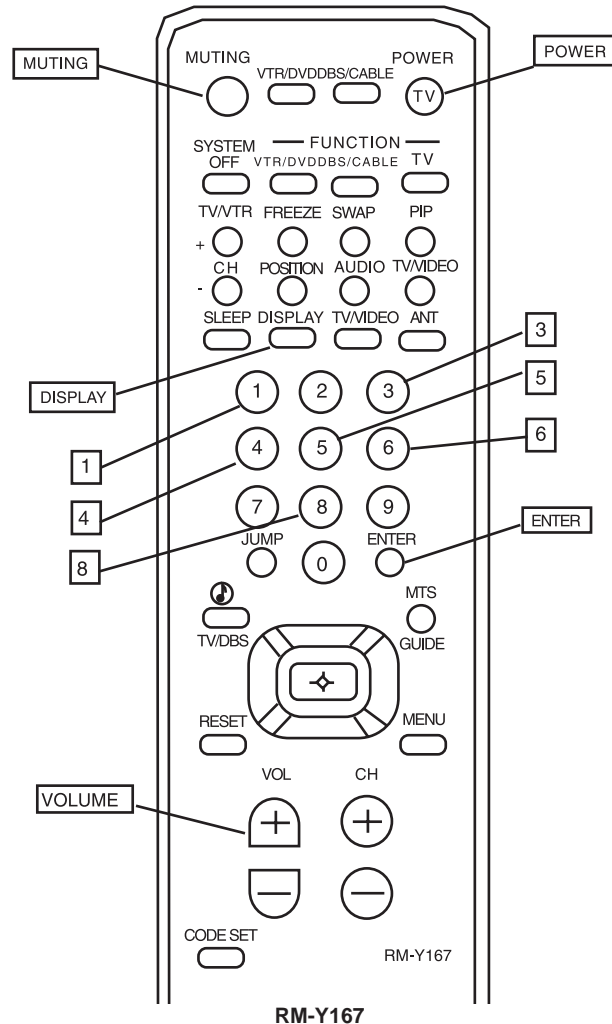


8. Turn set off and on to exit. \* CAUTION: Wait at least 10 seconds before turning off set.

#### (2) Memory Write Confirmation Method

1. After adjustment, pull out the plug from the AC outlet, then replace the plug in the AC outlet again.
2. Turn the power switch ON and set to Service Mode.
3. Call the adjusted items again to confirm they were adjusted.

#### (3) Adjust Buttons and Indicator



RM-Y167

\*\*WARNING: Do NOT turn off the power or AC immediately after pressing **MUTING** then **ENTER**. Wait at least 10 seconds.

## (4) Service Data

No.	Register Name	Description	Data Range	Adj/Fix	Initial Data	Average Data**					Comments
						32"			35"		
						A	B	C	D	E	
<b>VP CXA2095S</b>											
1	VPOS	V-Position	0-63	Adj	20	23		27			0:Down, 63:Up
2	VSIZ	V-Size	0-63	Adj	20	27		26			0:Min, 63:Max
3	VCOM	V-Compensation	0-3	Fix	1			1			0:Min, 3:Max
4	VLIN	V-Linearity	0-15	Adj	7			9			0:Min, 15:Max
5	VSCO	S-Correction	0-15	Adj	7	6		9			0:Min, 15:Max
6	HPOS	H-Position	0-15	Adj	7	11		10			0:Right, 15:Left
7	HSIZ	H-Size	0-63	Adj	20	23		28			0:Min, 63:Max
8	PAMP	Pin Compensation	0-63	Adj	31	27		24			0:Min, 63:Max
9	UPIN	Upper Corner Pin	0-15	Adj	7	4		7			0:Min, 15:Max
10	LPIN	Lower Corner Pin	0-15	Adj	7	6		10			0:Min, 15:Max
11	PPHA	Pin Phase	0-15	Adj	7	4		5			0:Min(small picture), 15:Max
12	AFC	AFC	0-3	Fix	2			2			0:Freerun, 1:Min, 3:Max
13	VBOW	AFC Bow	0-15	Adj	7	6		5			0:Right, 15:Left
14	VANG	AFC Angle	0-15	Adj	7	6		4			0:Right, 15:Left
15	REF	Reference Line	0-3	Fix	2			2			0:22H(Rch), 3:16H(Rch)
16	GDRV	Green Drive	0-63	Adj	31	22		35			0:Min, 63:Max
17	BDRV	Blue Drive	0-63	Adj	31	30		26			0:Min, 63:Max
18	GCUT	Green Cutoff	0-15	Adj	7	5		8			0:Min, 15:Max
19	BCUT	Blue Cutoff	0-15	Adj	7	7		6			0:Min, 15:Max
20	SCON	Sub Contrast	0-15	Adj	7	10		8			0:Min, 15:Max
21	SHUE	Sub Hue (RF only)	0-15	Adj	7	7 (flat-1)		8 (flat-1)			0:+10deg, 15:-10deg
22	1SHU	Sub Hue (composite & S-video)	0-15	Adj	7	7		7			0:+10deg, 15:-10deg
23	SCOL	Sub Color (RF only)	0-15	Adj	7	11 (flat+2)		9 (flat+2)			0:Min, 15:Max
24	1SCO	Sub Color (composite & S-video)	0-15	Adj	7	14		13			0:Min, 15:Max
25	SBRT	Sub Brightness	0-63	Adj	31			26			0:Min, 63:Max
26	SSHP	Sub Sharpness (RF & Composite video)	0-15	Fix by model	7	8		8			0:Min, 15:Max
27	1SSP	Sub Sharpness (S-video only)	0-15	Fix by model	7	10		10			0:Min, 15:Max
28	GMMA	Gamma Correction	0-3	Fix by model	1	0		0			0:Off, 1:Min, 3:Max
29	CDM2	Countdown Mode 2	0-1	Fix	0			0			0: Normal 1: High Speed Countdown Response
30	EYSW	External Y Switch	0-1	Fix	0			0			0: Normal 1: EYin disabled
31	DPIX	Dynamic Picture	0,1	Fix	1			1			0:Off, 1:On
32	Y-DC	DC Transmission Ratio	0,1	Fix	1			1			0:100%, 1:82%
33	ABLM	ABL Mode	0,1	Fix	1			1			0:PictureABL, 1:Picture/BrightnessABL
34	AXIS	Color Demodulation Axis	0,1	Fix	1			1			0:Japan, 1:US
35	NOTC	Chroma Trap Filter	0,1	Fix	0			0			0:Off, 1:On
36	CROM	Chroma Trap Adjust	0-15	Fix	7			7			0:+300kHz, 1:-300kHz
37	TOT	TOT Filter (RF only)	0,1	Fix	1			1			0:Off, 1:On
38	1TOT	TOT Filter (Composite & S-video)	0,1	Fix	1			0			0:Off, 1:On
39	PREL	Pre/Overshoot Ratio (RF & Composite)	0-3	Fix by model	3			1			0: 2:1, 3: 5:1
40	1PRE	Pre/Overshoot Ratio (S-video only)	0-3	Fix by model	3			3			0: 2:1, 3: 5:1
41	SHPF	Sharpness fo (RF & Composite)	0-3	Fix by model	2			1			0:2.5MHz, 3:4.0MHz
42	1SPF	Sharpness fo (S-video only)	0-3	Fix by model	2			3			0:2.5MHz, 3:4.0MHz
43	RON	Red Off	0,1	Fix	1			1			0:Off, 1:On
44	GON	Green Off	0,1	Fix	1			1			0:Off, 1:On
45	BON	Blue Off	0,1	Fix	1			1			0:Off, 1:On
46	DCOL	Dynamic Color	0,1	Fix	0			1			0:Off, 1:On
47	CDMD	V Countdown Mode	0,1	Fix	0			0			0:Auto, 1:Fix
48	HBSW	H Blanking Switch	0,1	Fix	0			0			0:Off, 1:On
49	LBLK	Left Blanking	0-15	Fix	0			7			0:Min, 15:Max
50	RBLK	Right Blanking	0-15	Fix	0			7			0:Min, 15:Max
<b>AP CXA2021</b>											
51	SVOL	Sub Volume	0-15	Fix	0			6			0:-0 Volume steps, 15:-15 Volume steps
52	SBAL	Sub Balance	0-15	Adj	7			7			0: +Right, 15:+Left
53	SBAS	Sub Bass	0-15	Fix by model	7	10	8	10	8		0:-7 Steps, 15: +8 steps
54	STRE	Sub Treble	0-15	Fix by model	7	7	10	7	10		0:-7 Steps, 15: +8 steps
<b>MM1311/1313</b>											
55	AUSW	Audio Att Sw	0,1	Fix	1			1			0:-6dB, 1:0dB (Only for VIDEO input)

## \*\*AVERAGE DATA MODEL GROUPINGS:

32"/34" A: KV-32S40/32S45/34SL40/34SL40C/34SL40T/34SL45 B: KV-32V40 C: KV-32V65/32VL65/34VL65C	35"/37" D: KV-35S40/35S45/37SL45 E: KV-35V65/37VL65/37VL65C
--	--

**Service Data (cont.)**

No.	Register Name	Description	Data Range	Adj/Fix	Initial Data	Average Data**					Comments
						32"			35"		
						A	B	C	D	E	
<b>PI SDA9288</b>											
56	PYSD	Select Delay	0-15	Fix by P-bd	3						0:Right, 15:Left
57	PIPH	PIP H-position	0-127	Fix	78						0:Right, 127:Left
58	PIPV	PIP V-position	0-63	Fix	18						0:Up, 63:Down
59	PYDL	PIP Y-delay	0-7	Fix	0						0:Right, 7:Left
60	PHDL	H-pulse delay	0-15	Fix by P-bd	3						0:Right, 15:Left
61	PMVD	Main V-pulse delay	0-31	Fix	16						7-21: Available (1-6/22-31 Not Avail)
62	PIVD	Inset V-pulse delay	0-31	Fix	22						16-28 Available (1-15/29-31 Not Avail)
63	PCON	Inset Contrast	0-15	Fix	7						0:Min, 15:Max
64	FRMY	Frame Y	0-15	Fix	7						0:Dark, 15:Bright
65	CHRI	Input Polarity	0,1	Fix by P-bd	1						0:+(B-Y)+(R-Y), 1:-(B-Y)-(R-Y)
66	CHRO	Output Polarity	0,1	Fix	1						0:+(B-Y)+(R-Y), 1:-(B-Y)-(R-Y)
67	IPER	Inset Pedestal R-Y	0-15	Fix	0						0:Center, 7:Max, 8:Min
68	IPEB	Inset Pedestal B-Y	0-15	Fix	0						0:Center, 7:Max, 8:Min
69	PCPS	CLPS Bit Control	0,1	Fix	0						0:Depend on HSIDEL, 1:Not depend
70	PCPF	CLPFIX Bit Control	0,1	Fix	0						0: 3Clamp line, 1: 2Clamp line
71	PSEL	SELDOWN Bit Control	0,1	Fix by P-bd	1						0:Open out, 1:TTL out
72	PPLL	PLL Filter Bits	0-3	Fix	0						Fixed value only
73	PVNR	VSPISQ VSP NR	0-1	Fix	0						SDA9288 IC bypass use 1
<b>IC CXA2019</b>											
74	ISCO	CDec Sub Contrast	0-15	Fix	7			15			PIP sub contrast
75	ISHP	CDec Sharpness	0-15	Fix	7			8			PIP sharpness
76	ISCL	CDec Sub Color	0-15	Fix	7			9			PIP sub color
77	ISHU	CDec Sub Hue	0-15	Fix	7			6			PIP sub hue
78	ITOT	CDec TOT on	0,1	Fix	0			1			PIP TOT 0:Off, 1:On
79	I AFC	CDec AFC	0-3	Fix	2			2			0:Max, 2:Min, 3:Freerun
80	ICD2	CDec Countdown Mode2	0,1	Fix	0			0			0:Standard, 1:Fast
81	IYDR	CDec Y drive	0-31	Fix	15			7			PIP Y-drive gain
82	IVPE	CDec V pedestal	0-15	Fix	7			6			PIP V-ped DC
83	IUPE	CDec U pedestal	0-15	Fix	7			6			PIP U-ped DC
84	IRVP	CDec RV pedestal	0-15	Fix	7			6			PIP V-ped DC (re-input)
85	IRUP	CDec RU pedestal	0-15	Fix	7			6			PIP U-ped DC (re-input)
86	IDCT	CDec DC transfer	0-7	Fix	2			0			PIP DC transfer 0:Max, 7:Min
87	IRYD	CDec RY drive	0-31	Fix	15			20			PIP RY Drive (re-input)
88	IABO	CDec ABL off	0,1	Fix	1			1			PIP ABL (RY-OUT) 0:On, 1:Off
89	IPRE	CDec Pre/Over shoot	0-3	Fix	3			3			PIP Pre/over shoot 0: 1:1, 1: 4:1
90	IRUD	CDec RU Drive	0-31	Fix	15			20			PIP RU-gain out 0:-6dB, 31:+3.3bD
91	IABL	CDec ABL	0,1	Fix	1			1			PIP ABL gain 0:Std, 1:Min
92	IABC	CDec ABL Cent	0-3	Fix	1			1			PIP ABL Center 0:Min, 1:Max
93	IRVD	CDec RV drive	0-31	Fix	15			17			PIP RY Drive (re-input)
94	IDLY	CDec Delay	0-3	Fix	0			0			PIP Y-delay 0:0ns, 1:60ns, 2:120ns, 3:180ns
95	ISCR	CDec SCP BGR	0-3	Fix	0			0			PIP SCP riseup phase 0:+0.4us, 1:cent, 2:-0.8us
96	ISCF	CDec SCP BGF	0-3	Fix	0			0			PIP SCP falldown phase 0:+0.4us, 1:cent, 2:-0.8us
<b>CC CXP8584a-011s</b>											
97	CRIL	CC CRI count low	0-15	Fix	2			2			7 Clock Run-In Lower Limit (field 1)
98	CFLD	CC Caption Fixed Field Count		Fix	5			5			Fixed value only
99	CCDI	CC CCD int	0-7	Fix	3			3			Fixed value only
100	CRIP	CC CRI & polarity	0-7	Fix	4			4			Fixed value only
101	CRIT	CC CRI time constant	0-3	Fix	1			1			Fixed value only
102	CSB1	CC Sync Slice Bias 1	0-3	Fix	3			3			Fixed value only
103	CSB2	CC Sync Slice Bias 2	0-7	Fix	4			4			Fixed value only
104	CREP	CC CRI signal end position	0-255	Fix	142			142			Fixed value only
105	CDS	CC Data start delay	0-31	Fix	8			8			Fixed value only
106	CCDS	CC Caption data threshold	0-31	Fix	9			9			Fixed value only
107	CHMK	CC P8_HMASK	0-63	Fix	42			42			Hmask
108	CHSY	CC P8_HSYC	0-255	Fix	136			136			Hsync
109	DISP	TV OSD H Position	0-63	Adj	1			23			0:Off, 1:Left, 63: Right
110	RTCO	Rotation Coil	0-63	Fix	32			32			Fixed value only

**\*\*AVERAGE DATA MODEL GROUPINGS:**

32"/34" A: KV-32S40/32S45/34SL40/34SL40C/34SL40T/34SL45 B: KV-32V40 C: KV-32V65/32VL65/34VL65C	35"/37" D: KV-35S40/35S45/37SL45 E: KV-35V65/37VL65/37VL65C
--	--

**Service Data (cont.)**

No.	Register Name	Description	Data Range	Adj/Fix	Initial Data	Average Data**					Comments
						32"			35"		
						A	B	C	D	E	
<b>ID MAP</b>											
111	ID-0	ID-0 (Language/Color Systems)	0-255	Fix by model	89	<b>refer to NVM ID Chart</b>					See ID map
112	ID-1	ID-1 (Input/Output Configuration)	0-255	Fix by model	55						See ID map
113	ID-2	ID-2 (Audio)	0-255	Fix by model	175						See ID map
114	ID-3	ID-3 (OSD/Timer/V-chip/Ch Fix)	0-255	Fix by model	0						See ID map
115	ID-4	ID-4 (CC/Spot Killer/etc)	0-255	Fix by model	155						See ID map
116	ID-5	ID-5 (V-series Features/etc)	0-255	Fix by model	141						See ID map
117	ID-6	ID-6 (PiP/Ant Sw related)	0-255	Fix by model	6						See ID map
118	ID-7	ID-7 (Special Models/etc)	0-255	Fix by model	0						See ID map

**\*\*AVERAGE DATA MODEL GROUPINGS:**

32"/34" A: KV-32S40/32S45/34SL40/34SL40C/34SL40T/34SL45 B: KV-32V40 C: KV-32V65/32VL65/34VL65C	35"/37" D: KV-35S40/35S45/37SL45 E: KV-35V65/37VL65/37VL65C
--	--

SERVICE IDO 25

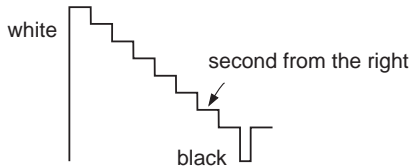
Note: Items 1-118 show adjustment order

**(5) Feature ID Map**

	KV-	DESTINATION	ID-0	ID-1	ID-2	ID-3	ID-4	ID-5	ID-6	ID-7
1	32S40	(US/CND)	89	17	31	10	27	129	0	0
2	32S45	(US/CND)	89	21	31	10	27	129	1	0
3	32V40	(US/CND)	89	23	175	10	27	129	0	0
4	32V65	(CND)	89	55	175	10	27	141	6	0
6	35S40	(US/CND)	89	21	31	10	155	129	6	0
7	35S45	(US/CND)	89	21	31	10	155	129	1	0
8	35V65	(CND)	89	55	175	10	155	141	6	0
9	34SL40C	(E)	25	17	159	74	59	129	0	0
10	34VL65C	(E)	25	55	175	74	59	141	6	0
11	37VL65C	(E)	25	55	175	74	187	141	6	0
12	34SL40	(E)	25	17	159	74	59	129	0	0
13	34SL45	(E)	25	21	159	74	59	129	1	0
14	34VL65	(E)	25	55	175	74	59	141	6	0
15	37SL45	(E)	25	21	159	74	187	129	1	0
16	37VL65	(E)	25	55	175	74	187	14	6	0
17	34SL40T	(TAIWAN)	9	17	159	10	27	129	0	0

**SUB BRIGHT ADJUSTMENT (SBRT)**

1. Set to Service adjustment Mode.
2. Input a gray scale pattern signal.
3. Set the PICTURE to minimum, and BRIGHT to normal.
4. Select SBRT with [1] and [4].
5. Adjust SUB BRIGHT level with [3] and [6] so that the stripe second from the right is faintly visible.
6. Write into the memory by pressing [MUTING] then [ENTER]\*\*.

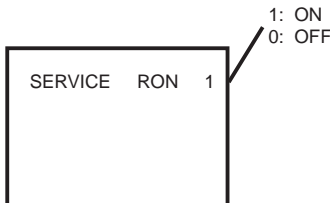


**SUB CONTRAST ADJUSTMENT (SCON)**

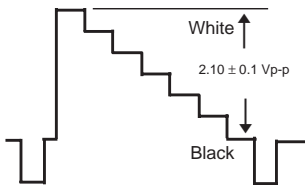
1. Input a color-bar signal.
2. Set to Service adjustment Mode.
3. Select the item DCOL to "0" level.
4. Set the conditions as follows.

PICTURE ..... MAX  
 COLOR ..... MIN  
 BRIGHT ..... CENTER

R ON ..... ON (1)  
 G ON ..... OFF (0)  
 B ON ..... OFF (0)



5. Connect an oscilloscope probe to C Board, CN1761 pin ① (RED OUT).
6. Select SCON with [1] and [4].
7. Adjust with [3] and [6] for:  $2.10 \pm 0.01$  Vp-p.



8. Reset the item DCOL to "1" level.
9. Write the memory by pressing [MUTING] then [ENTER]\*\*.

10. Return the following back to normal after adjustment.

PICTURE ..... MAX  
 COLOR ..... CENTER  
 BRIGHT ..... CENTER

R ON ..... ON (1)  
 G ON ..... ON (1)  
 B ON ..... ON (1)

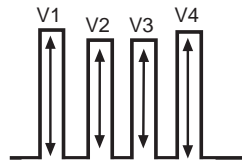
**DISPLAY POSITION ADJUSTMENT (DISP)**

1. Input a color-bar signal.
2. Set to Service adjustment Mode.
3. Select DISP with [1] and [4].
4. Adjust with [3] and [6] for adjustment of characters to center.
5. Write the memory by pressing [MUTING] then [ENTER]\*\*.



**SUB HUE, SUB COLOR ADJUSTMENT (SHUE, SCOL)**

1. Input a color-bar signal.
2. Set to Service adjustment Mode.
3. Connect oscilloscope probe to C Board, CN1761 Pin③ (BLUE OUT).
4. Select SHUE and SCOL with [1] and [4].
5. Adjust with [3] and [6] for the  $V1 = V4 \pm 0.1$  Vp-p (SCOL) and  $V2 = V3 \pm 0.1$  Vp-p (SHUE).



6. Change data according to the following table;

	SCOL	SHUE
32"	+2 steps	-1 steps
35"	+2 steps	-1 steps

7. Write into the memory by pressing [MUTING] then [ENTER]\*\*.

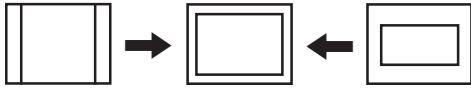
\*\*WARNING: Do NOT turn off the power or AC immediately after pressing [MUTING] then [ENTER]. Wait at least 10 seconds.



**V. SIZE ADJUSTMENT (VSIZ)**

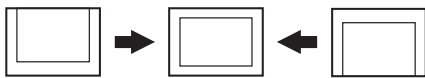
1. Input a cross-hatch signal.
2. Set to Service adjustment mode.
3. Select VSIZ with **[1]** and **[4]**.
4. Adjust with **[3]** and **[6]** for the best vertical size.
5. Write into the memory by pressing **[MUTING]** then **[ENTER]\*\***.

## V. SIZE

**V. POSITION ADJUSTMENT (VPOS)**

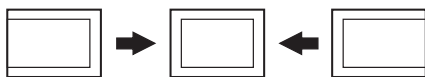
1. Input a cross-hatch signal.
2. Set to Service adjustment Mode.
3. Select VPOS with **[1]** and **[4]**.
4. Adjust with **[3]** and **[6]** for the best vertical center.
5. Write into the memory by pressing **[MUTING]** then **[ENTER]\*\***.

## V. POSITION

**H. POSITION ADJUSTMENT (HPOS)**

1. Input a cross-hatch signal.
2. Set the Service adjustment Mode.
3. Select HPOS with **[1]** and **[4]**.
4. Adjust with **[3]** and **[6]** for the best horizontal center.
5. Write into the memory by pressing **[MUTING]** then **[ENTER]\*\***.

## H. POSITION

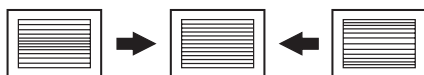
**V LINEARITY (VLIN), V CORRECTION (VSCO), PIN AMP (PAMP) AND PIN PHASE (PPHA) ADJUSTMENTS**

1. Input a cross-hatch signal.
2. Set to Service adjustment Mode.
3. Select VLIN, VSCO, PAMP, and PPHA with **[1]** and **[4]**.
4. Adjust with **[3]** and **[6]** for the best picture.
5. Write the memory by Pressing **[MUTING]** then **[ENTER]\*\***.

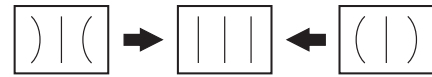
## V LINEARITY (VLIN)



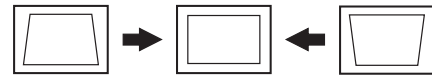
## VS CORRECTION (VSCO)



## PIN AMP (PAMP)

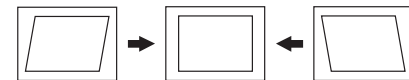


## PIN PHASE (PPHA)

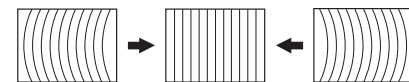
**V ANGLE (VANG), V BOW (VBOW), UPPER PIN (UPIN) AND LOW PIN (LPIN) ADJUSTMENTS**

1. Input a cross hatch signal.
2. Set to Service adjustment Mode.
3. Select VVANG, VBOW, UPIN, and LPIN with **[1]** and **[4]**.
4. Adjust with **[3]** and **[6]** for the best picture.
5. Write the memory by Pressing **[MUTING]** then **[ENTER]\*\***.

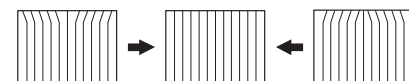
## V ANGLE (VANG)



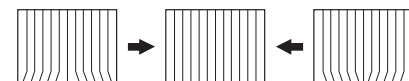
## V BOW (VBOW)



## UPPER PIN (UPIN)



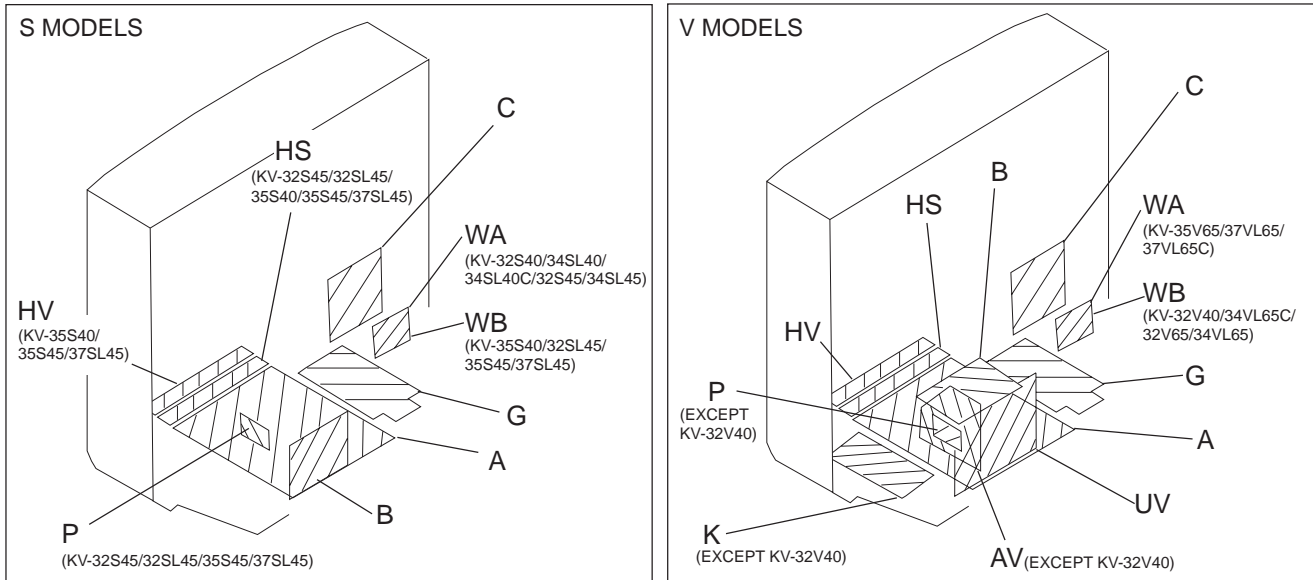
## LOW PIN (LPIN)

**P BOARD ADJUSTMENTS****PIP V. POSITION (PIPV), PIP H. POSITION (PIPH)**

1. Input a color bar signal.
2. Set to service adjustment mode.
3. Select PHOP with **[1]** and **[4]**.
4. Adjust with **[3]** and **[6]** for the best balanced position at four corner P in P display position.
5. Adjust P in P put at lower right position.
6. Write the memory by Pressing **[MUTING]** then **[ENTER]\*\***.

\*\*WARNING: Do NOT turn off the power or AC immediately after pressing **[MUTING]** then **[ENTER]**. Wait at least 10 seconds.

### 6-3. CIRCUIT BOARDS LOCATION



### 6-4. PRINTED WRING BOARDS AND SCHEMATIC DIAGRAMS

- All capacitors are in  $\mu\text{F}$  unless otherwise noted.  $\text{pF}$  :  $\mu\text{F}$  50WV or less are not indicated except for electrolytics and tantalums.
- All electrolytics are in 50V unless otherwise specified.
- All resistors are in ohms.  
 $\text{K}\Omega=1000\Omega$ ,  $\text{M}\Omega=1000\text{k}\Omega$
- Indication of resistance, which does not have one for rating electrical power, is as follows.

Pitch : 5mm  
 Rating electrical power :  $\frac{1}{4}\text{W}$

- $\frac{1}{4}\text{W}$  in resistance,  $\frac{1}{10}\text{W}$  and  $\frac{1}{8}\text{W}$  in chip resistance.
- : nonflammable resistor.
- : fusible resistor.
- $\Delta$  : internal component.
- : panel designation and adjustment for repair.
- All variable and adjustable resistors have characteristic curve B, unless otherwise noted.
- The components identified by in this basic schematic diagram have been carefully factory-selected for each set in order to satisfy regulations regarding X-ray radiation.  
 Should replacement be required, replace only with the value originally used.
- When replacing components identified by , make the necessary adjustments indicated. If results do not meet the specified value, change the component identified by and repeat the adjustment until the specified value is achieved. (Refer to R530 and R531 adjustment on Page 15.)
- When replacing the part in below table, be sure to perform the related adjustment.
- Readings are taken with a color-bar signal input.
- Readings are taken with a  $10\text{M}\Omega$  digital multimeter.
- Voltages are DC with respect to ground unless otherwise noted.
- Voltage variations may be noted due to normal production tolerances.

- All voltages are in V.
- S : Measurement impossibility.
- : B-line.
- : B-line.  
 (Actual measured value may be different).
- : signal path. (RF)
- Circled numbers are waveform references.

#### Reference information

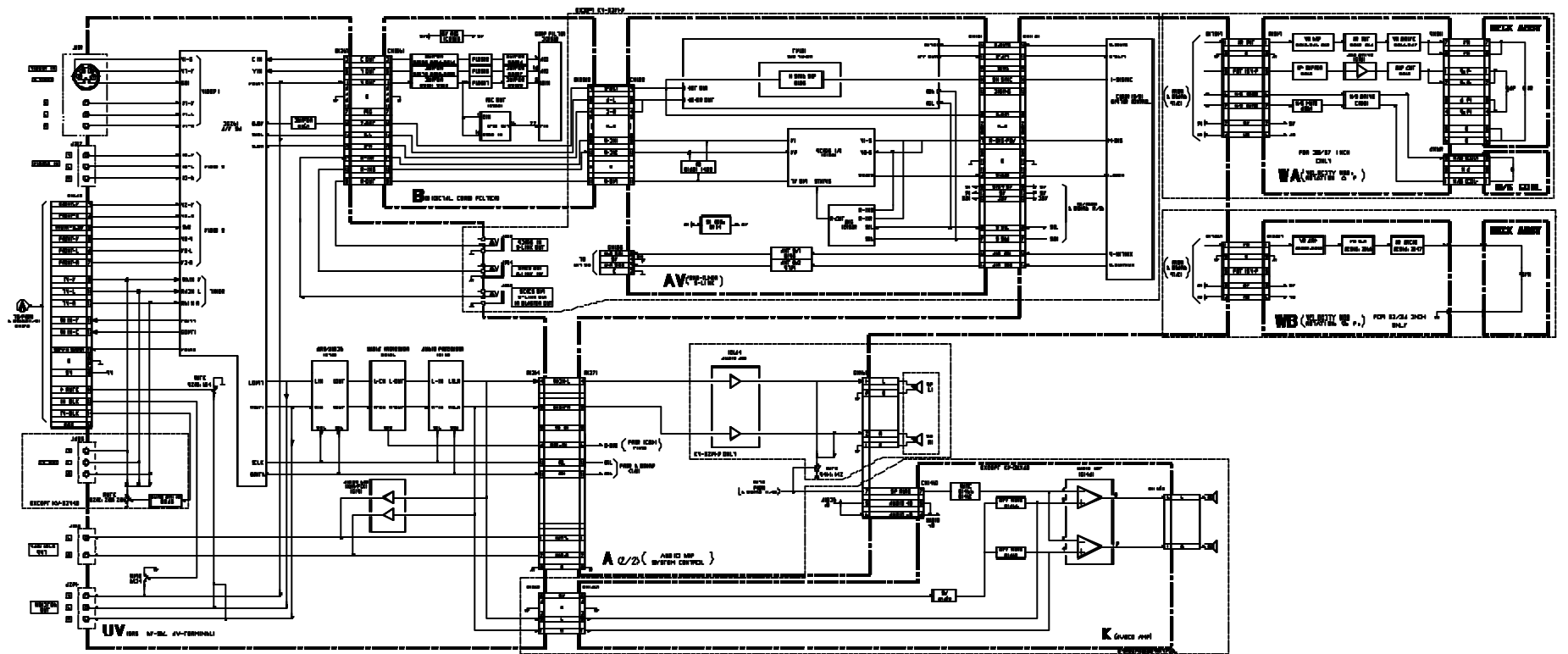
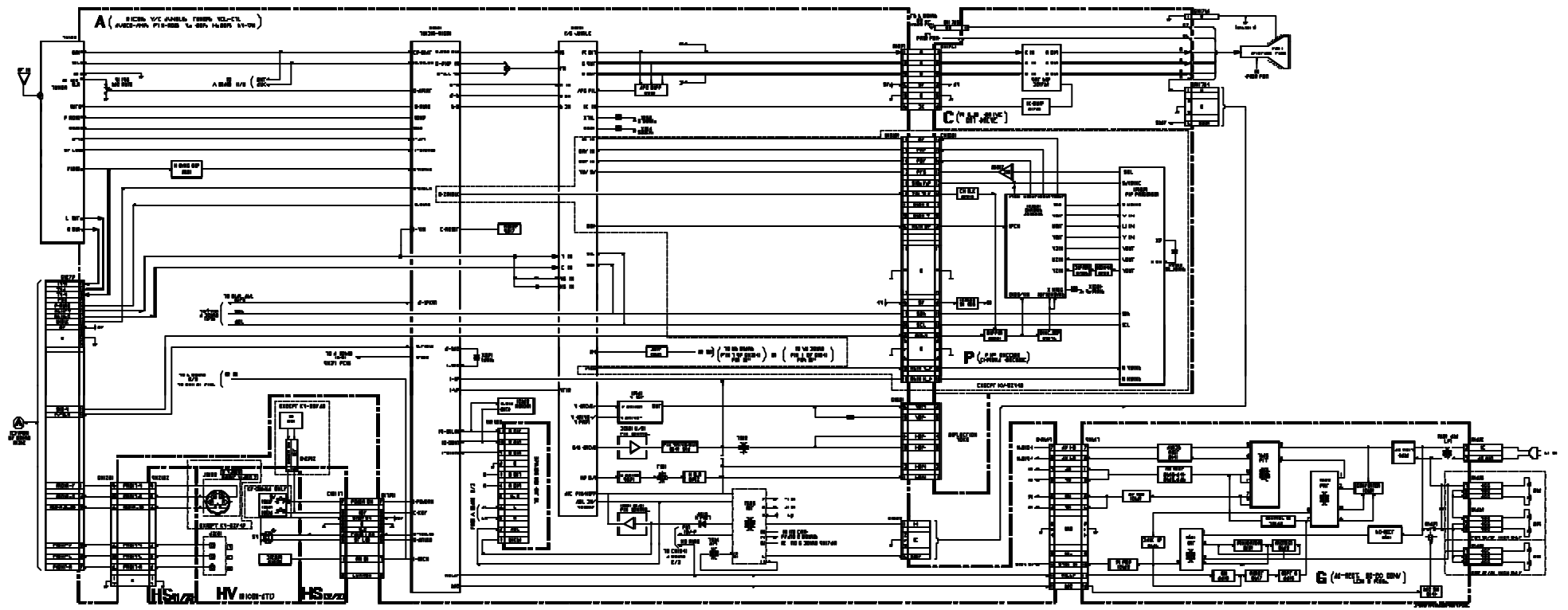
RESISTOR	: RN	METAL FILM
	: RC	SOLID
	: FPRD	NONFLAMMABLE CARBON
	: FUSE	NONFLAMMABLE FUSIBLE
	: RW	NONFLAMMABLE WIREWOUND
	: RS	NONFLAMMABLE METAL OXIDE
	: RB	NONFLAMMABLE CEMENT
	: $\otimes$	ADJUSTMENT RESISTOR
COIL	: LF-8L	MICRO INDUCTOR
CAPACITOR	: TA	TANTALUM
	: PS	STYROL
	: PP	POLYPROPYLENE
	: PT	MYLAR
	: MPS	METALIZED POLYESTER
	: MPP	METALIZED POLYPROPYLENE
	: ALB	BIPOLAR
	: ALT	HIGH TEMPERATURE

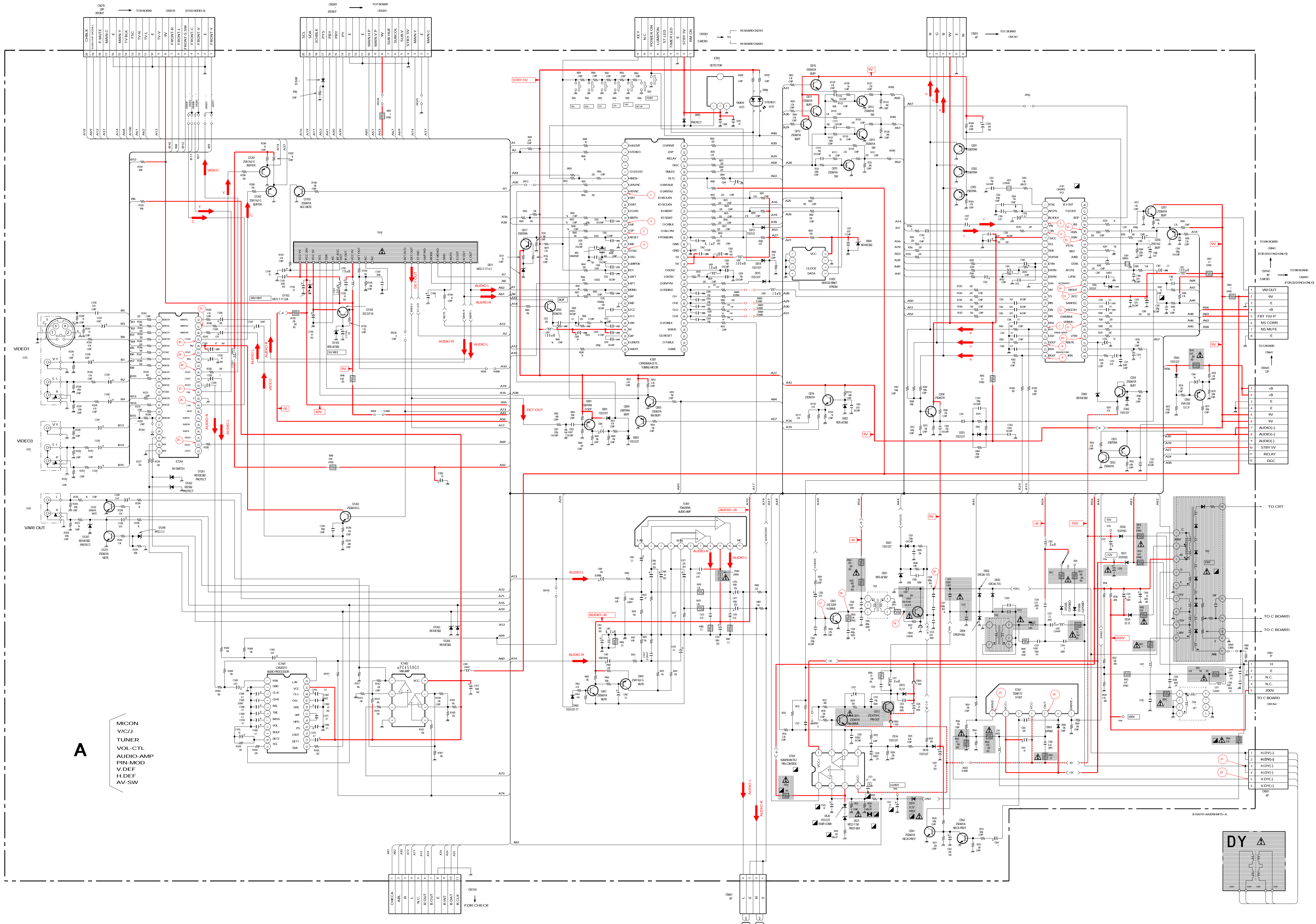
Part replaced(  )	Adjustment(  )
IC351, IC501, D519, D520, D521 C531, C532, R387, R529, R530, R531, R532, R533, R550, T503.....A BOARD IC643, R661.....G BOARD	R530, R531

The symbol display is on the component side.  
 The components identified by shading and mark  $\Delta$  are critical for safety. Replace only with part number specified.  
 The symbol indicate fast operating fuse.  
 Replace only with fuse of same rating as marked.

Les composants identifiés par un tramé et une marque  $\Delta$  sont critiques pour la sécurité. Ne les remplacer que par une pièce portant le numéro spécifié.  
 Le symbole indique une fusible a action rapide. Doit etre remplacee par une fusible de meme yaleur, comme maque.





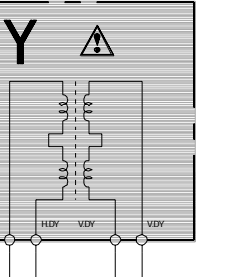


MICON  
YIC/J  
TUNER  
VOL-CTL  
AUDIO-AMP  
PIN-MOD  
V-DEF  
H-DEF  
AV-SW

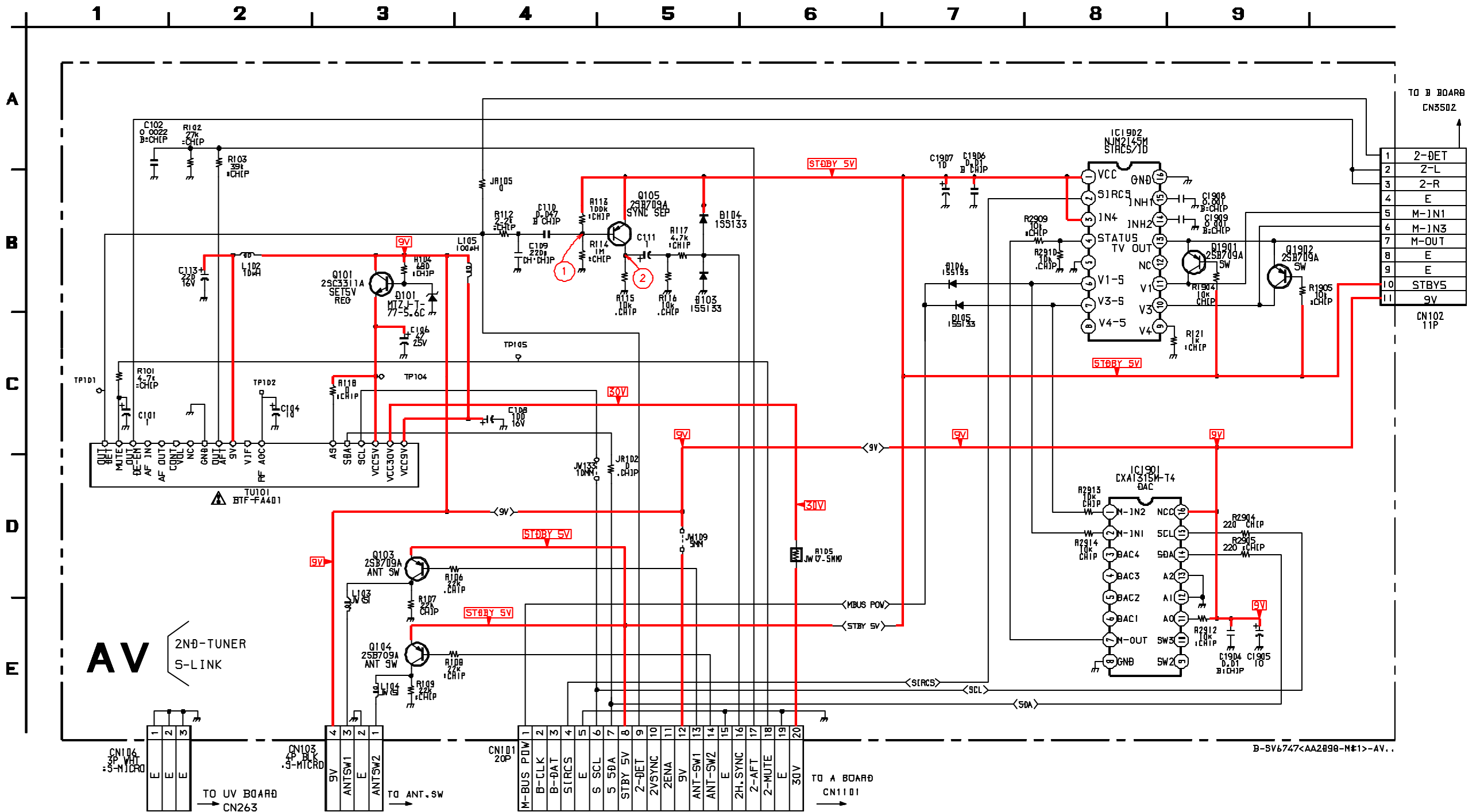
**A**

CH/CLK	1
ABL	2
R	3
L	4
N.C.	5
R.OUT	6
B.OUT	7
B.BANK	8
B.CLK	9
10	
11	
12	

FOR CHECK

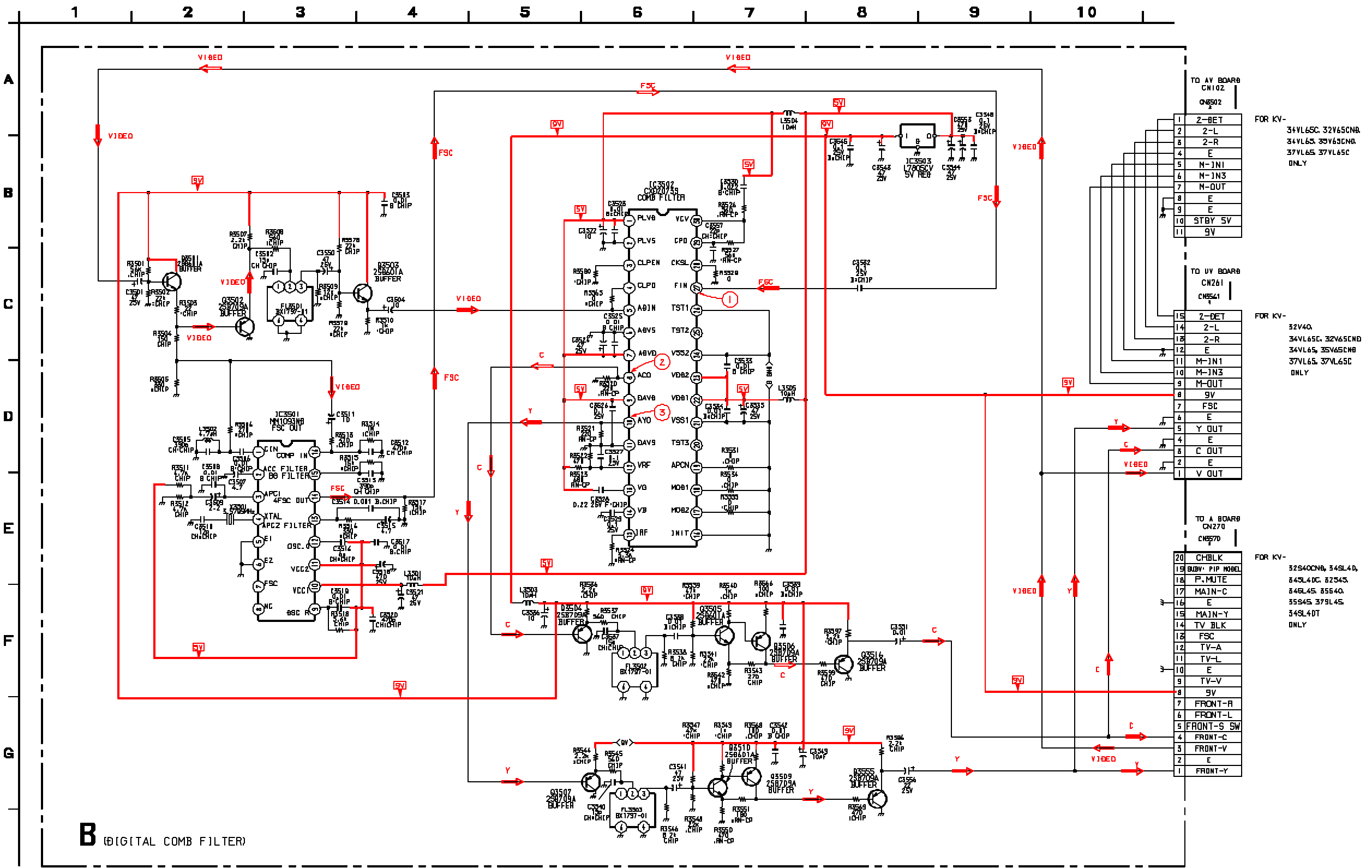






B-5V6747<AA2898-M#1>-AV..





TO AV BOARD  
CN102

1	2-BET
2	2-L
3	2-R
4	E
5	M-IN1
6	M-IN3
7	M-OUT
8	E
9	E
10	STBY 5V
11	9V

FOR KV-  
34VL65C, 32V65CND,  
34VL65, 35V65CND,  
37VL65, 37VL65C  
ONLY

TO UV BOARD  
CN261

15	2-BET
14	2-L
13	2-R
12	E
11	M-IN1
10	M-IN3
9	M-OUT
8	9V
7	FSC
6	E
5	Y OUT
4	E
3	C OUT
2	E
1	V OUT

FOR KV-  
32V40,  
34VL65C, 32V65CND,  
34VL65, 35V65CND,  
37VL65, 37VL65C  
ONLY

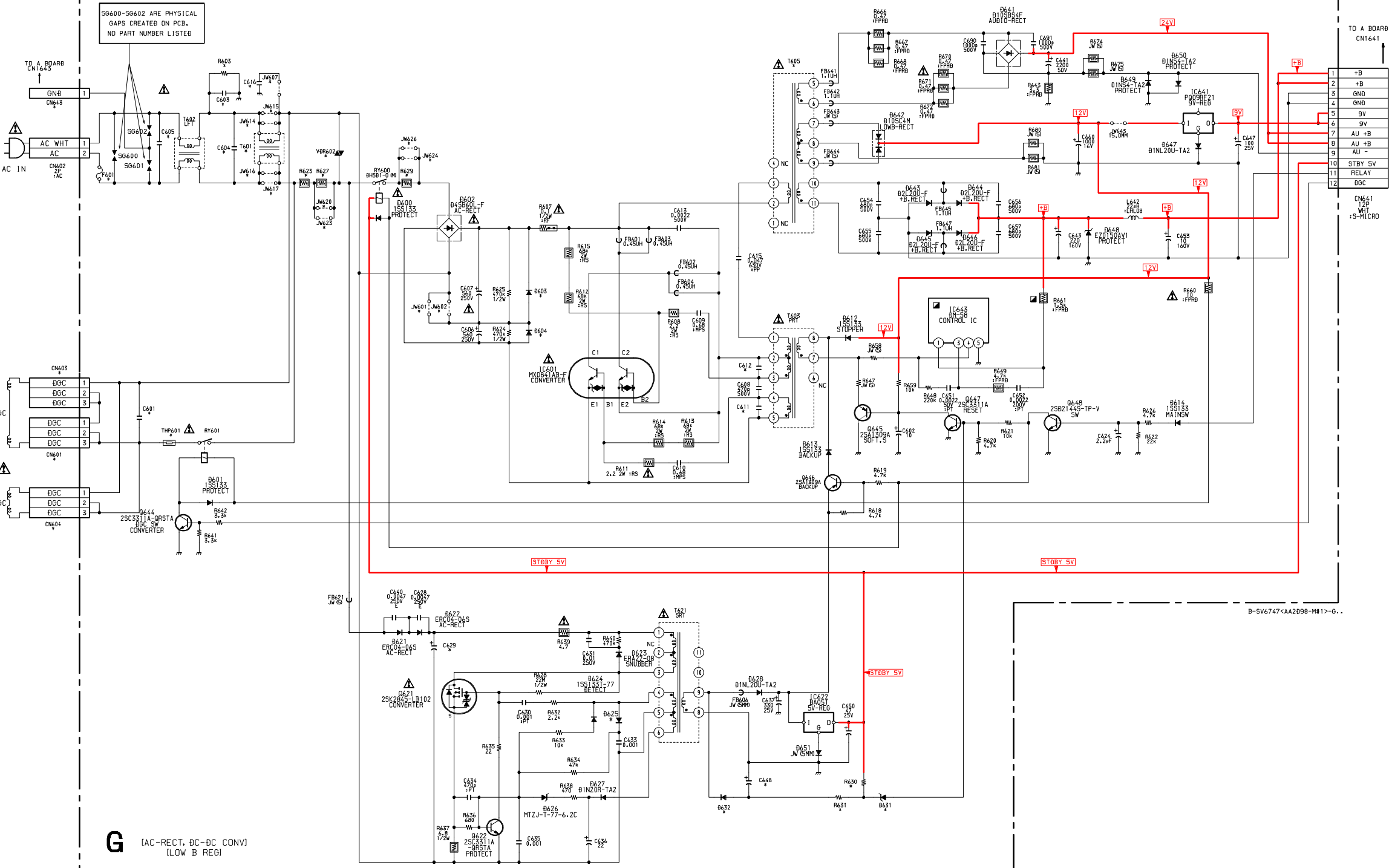
TO A BOARD  
CN270

20	CH-BLK
19	BUBY PIP M08EL
18	F. MUTE
17	MAIN-C
16	E
15	MAIN-Y
14	TV BLK
13	FSC
12	TV-A
11	TV-L
10	E
9	TV-V
8	9V
7	FRONT-R
6	FRONT-L
5	FRONT-S SW
4	FRONT-C
3	FRONT-V
2	E
1	FRONT-Y

FOR KV-  
32S40CNB, 34SL4D,  
34SL4DC, 32S45,  
34SL4S, 35S40,  
35S45, 37SL4S,  
34SL4DT  
ONLY

**B** (DIGITAL COMB FILTER)



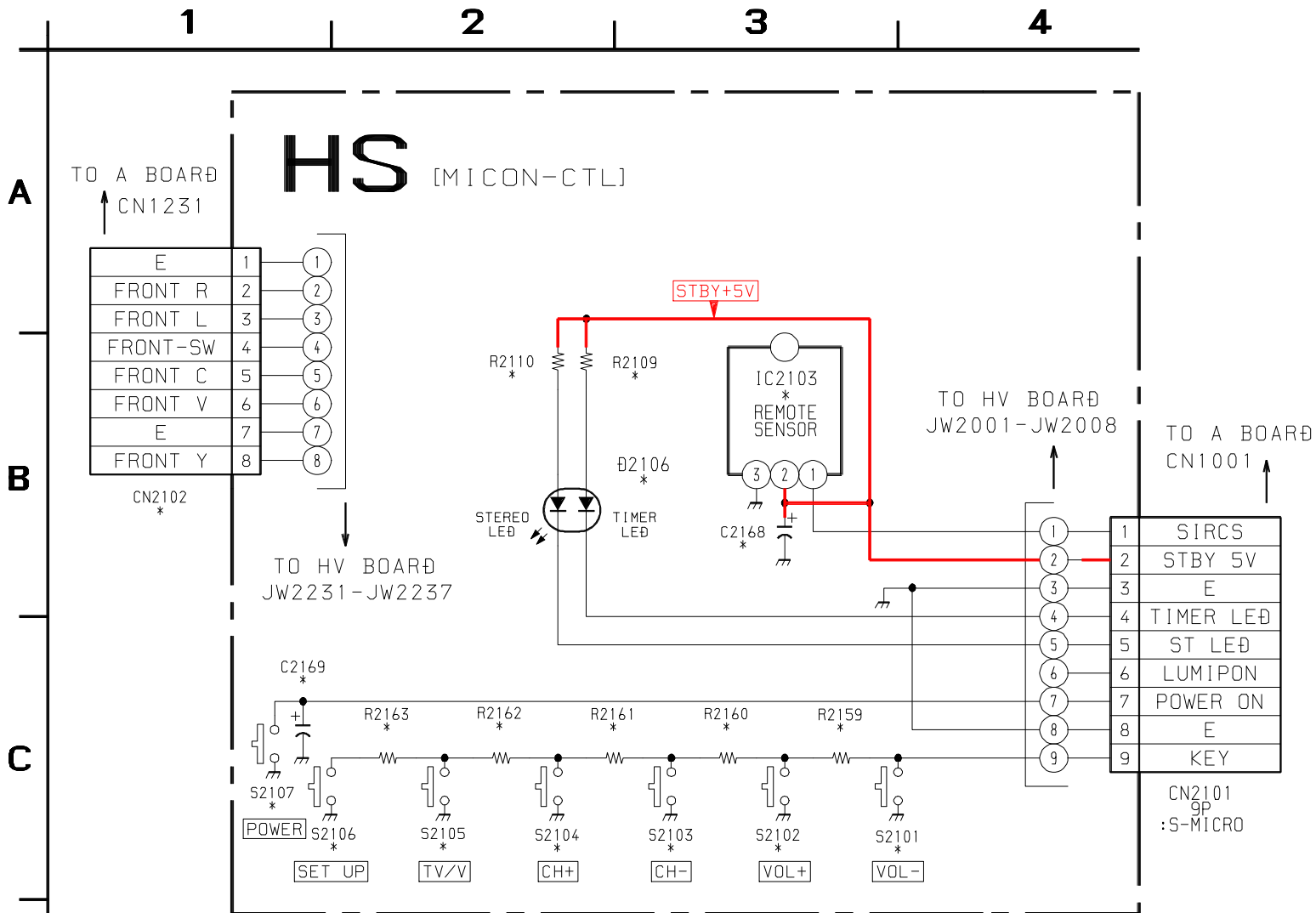


TO A BOARD  
CNT1641

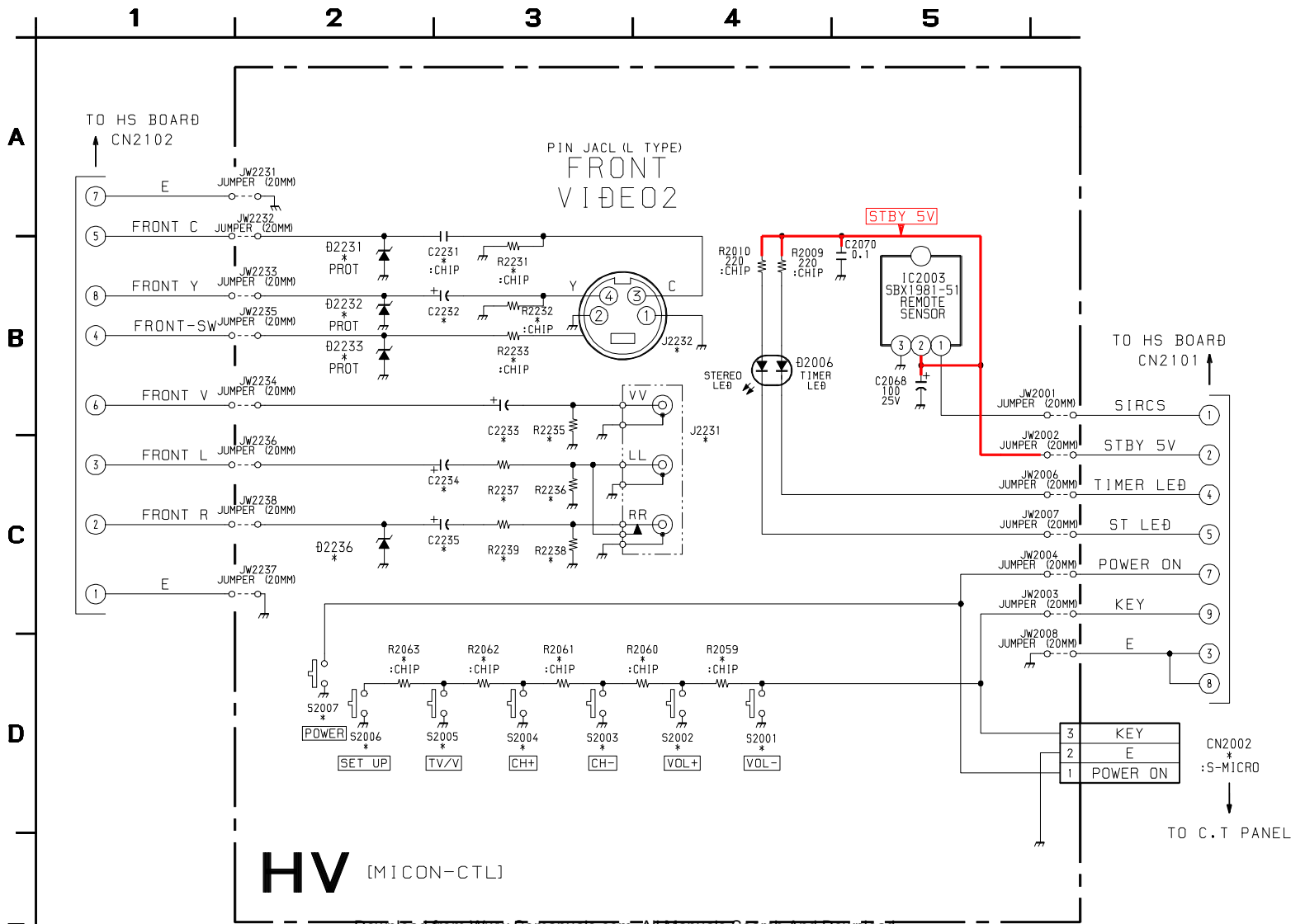
1	+B
2	+B
3	GND
4	GND
5	9V
6	9V
7	AU +B
8	AU +B
9	AU -
10	STBY 5V
11	RELAY
12	BGC

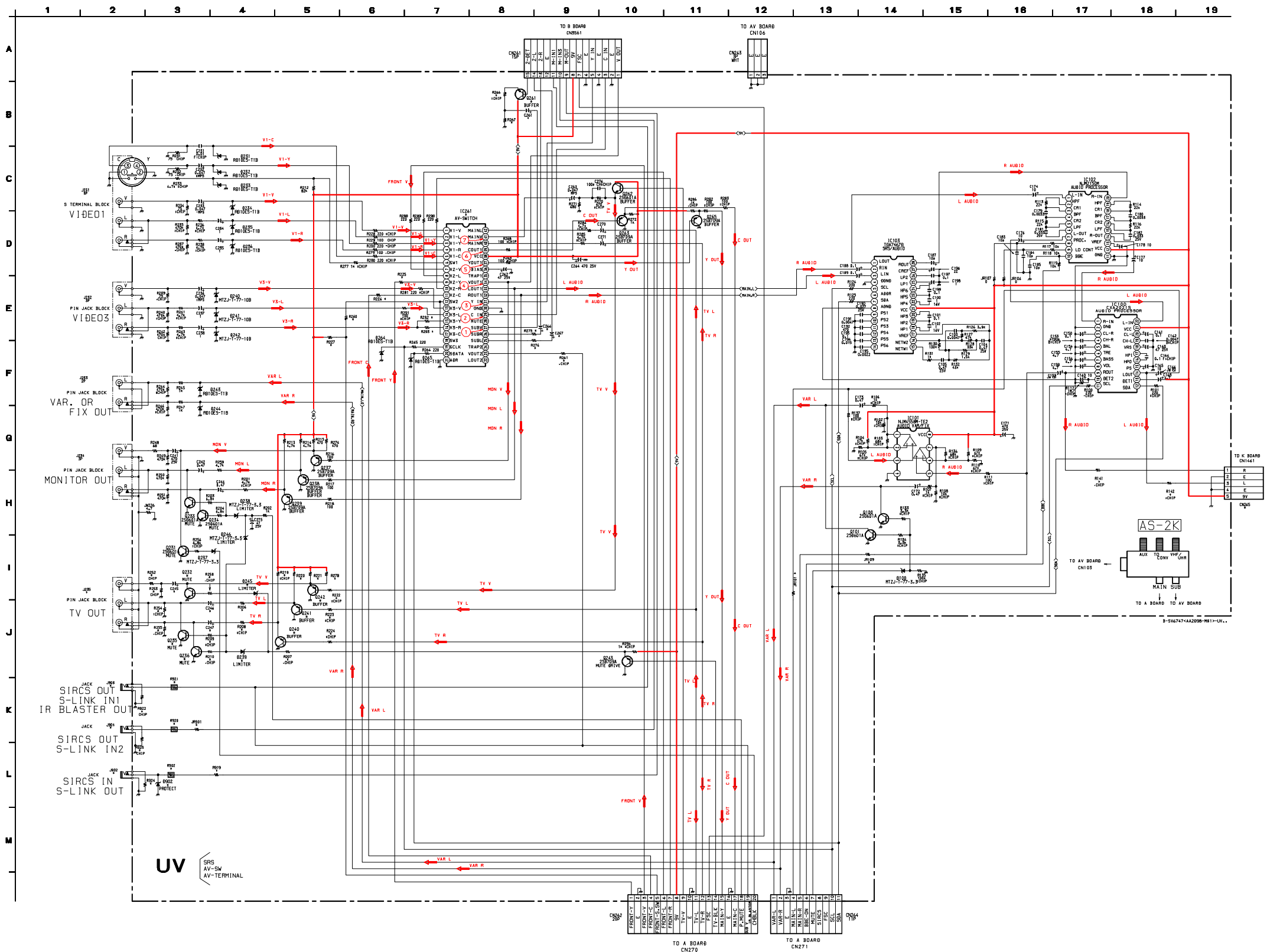
CN641  
12P  
WHT  
:S-MICRO

**G** [AC-RECT, DC-DC CONV]  
(LOW B REG)



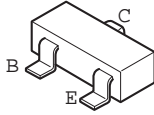
B-98AA2E<MAN#1>-HS..





## 6-5. SEMICONDUCTORS

DTC114EK  
2SC1623-L5L6  
2SA1330-06  
2SA1162-G  
2SD601A-Q



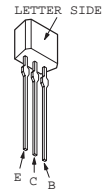
2SC3209LK



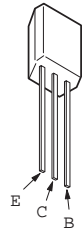
2SA1837  
2SC4159-E



2SA1175-HFE  
2SC2785-HFE



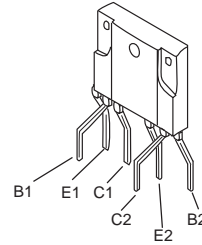
2SD2144S-V



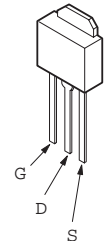
IRF614



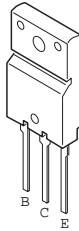
MX0841



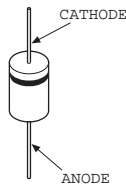
2SK2845-LB102



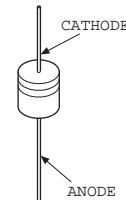
2SC5148



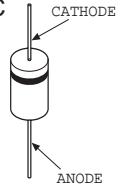
ERC06-15S  
ISSI33T-77



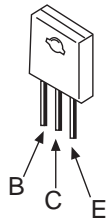
D1NS4  
D1N20R  
MTZJ-3.3  
MTZJ-33A  
RD10ESB2  
RD39ES-B2  
RD5.6ESB2  
RD6.2ESB2



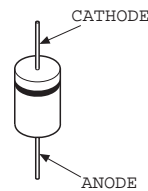
D2L20U  
EL1Z  
EZD150AV1  
GP08D  
MTZJ-T-77-4.3C  
EGP20G



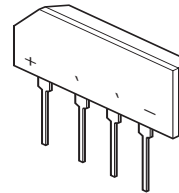
2SC4834M



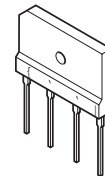
EGP30D  
ERD29-08J



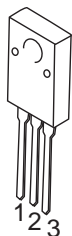
D10SBS4F



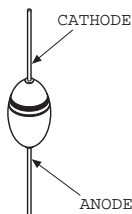
D4SB60L  
D1NL40-TA2



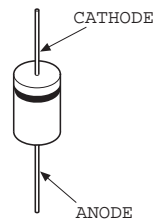
D10SC4M



U05G



D1NL20U





## SECTION 7 EXPLODED VIEW

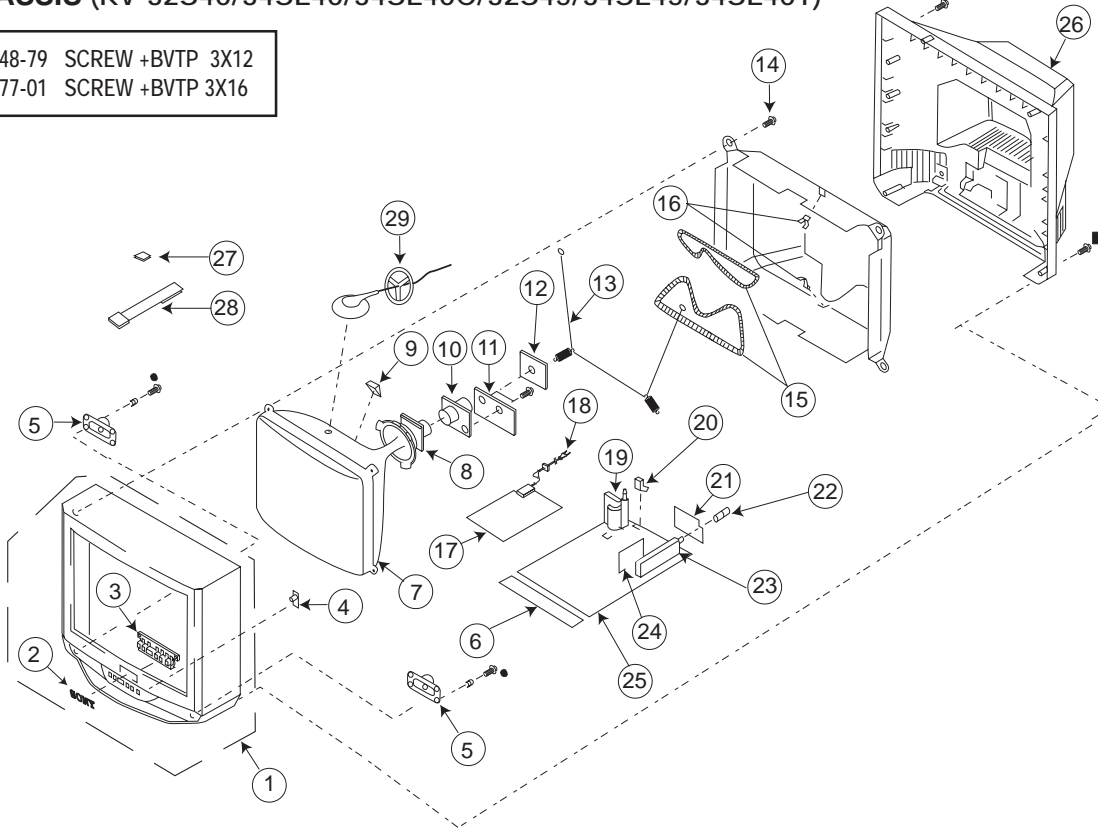
- Items with no part number and no description are not stocked because they are seldom required for routine service.
- The component parts of an assembly are indicated by the reference numbers in the remarks column.
- Items marked with an asterisk "\*" are not stocked since they are seldom required for routine service. Some delay should be anticipated when ordering these items.

The components identified by shading and "Δ" are critical for safety. Replace only with specified part number.

Les composants identifiés par un trame et une marque Δ sont critiques pour la sécurité. Ne les remplacer que par une pièce portant le numéro spécifique.

### 7-1. CHASSIS (KV-32S40/34SL40/34SL40C/32S45/34SL45/34SL40T)

- 7-685-648-79 SCREW +BVTP 3X12
  - 4-388-477-01 SCREW +BVTP 3X16



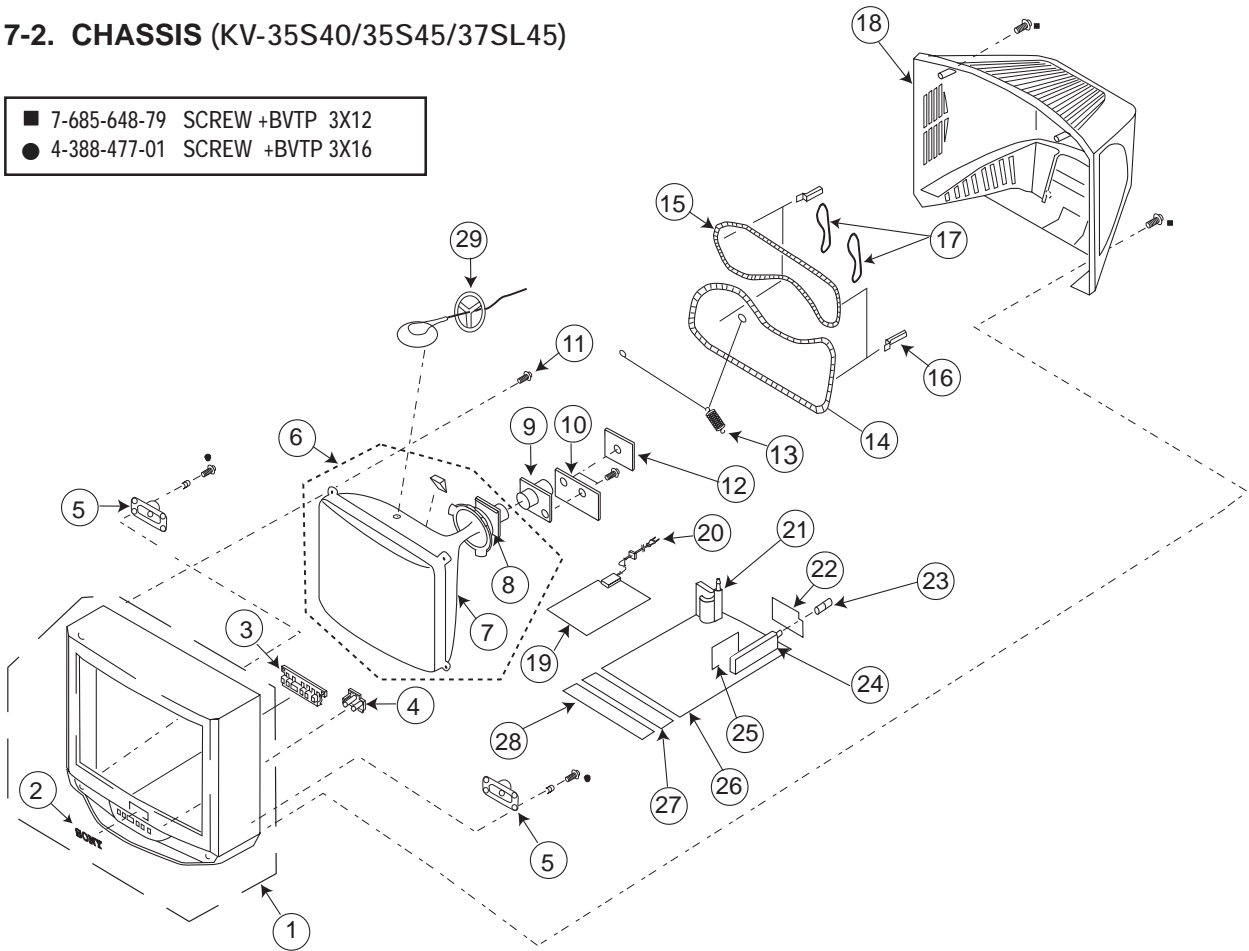
REF.NO.	PART NO.	DESCRIPTION	REMARK	REF.NO.	PART NO.	DESCRIPTION	REMARK
1	X-4035-771-1	BEZNET ASSY (KV-32S40/34SL50C/34SL40/34SL40T)	2-4	17 *	A-1316-389-A	G BOARD, COMPLETE (KV-32S40/34SL40/32S45/34SL45)	
1	X-4035-772-1	BEZNET ASSY (KV-32S45/34SL45)	2-4	17 *	A-1316-395-A	G BOARD, COMPLETE (KV-34SL40C)	
2	4-046-160-11	EMBLEM (NO.9), SONY		17 *	A-1316-396-A	G BOARD, COMPLETE (KV-34SL40T)	
3	4-063-573-01	BUTTON, MULTI		18 Δ	1-751-059-11	CORD, POWER (W/CONNECTOR)	
4	4-063-570-01	GUIDE, LED		19 Δ	1-453-207-11	TRANSFORMER, FBT ASSY NX-2609//X4C	
5	1-504-531-11	SPEAKER (13.1X6.2CM)		20	4-064-530-01	CLIP, CHASSIS (KV-32S45/34SL45)	
6 *	A-1372-519-A	HS BOARD, COMPLETE (KV-32S45/34SL45)		21 *	A-1135-950-A	B, BOARD COMPLETE	
7 Δ	8-733-756-05	CRT 34FX2T (A80JYV52X) (KV-34SL40C)		22	1-766-374-11	PLUG, F-PIN	
7 Δ	8-733-757-05	CRT 34FX2T (A80JYV52X) (FOR N.A. AREA) (KV-32S40/32S45/34SL40/34SL45/34SL40T)		23 Δ	8-598-431-00	FSS TUNER, BTF-WA411 (EXCEPT KV-34SL40T)	
8 Δ	8-451-482-21	DY Y34FXA2-X		23 Δ	8-598-477-00	FSS TUNER, BTF-WG411 (KV-34SL40T ONLY)	
9	4-053-005-01	SPACER, DY		24 *	A-1195-138-A	P BOARD, COMPLETE (KV-32S45/34SL45)	
10 Δ	1-452-579-21	NECK ASSY		25 *	A-1298-661-A	A BOARD, COMPLETE (KV-34SL40T)	
11 *	A-1372-508-A	WB BOARD, MOUNTED		25 *	A-1298-630-A	A BOARD, COMPLETE (KV-32S40/34SL40/34SL40C)	
12 *	A-1331-837-A	C BOARD, COMPLETE		25 *	A-1298-631-A	A, BOARD COMPLETE (KV-32S45/34SL45)	
13	4-036-329-01	SPRING (B) TENSION		26	4-063-852-01	COVER, REAR (KV-32S40/34SL40/34SL40C/34SL40T)	
14	4-041-268-01	SCREW (7), TAPPING		26	4-064-760-01	COVER, REAR (KV-32S45/34SL45)	
15 Δ	1-402-952-11	COIL, DEMAGNETIC		27	1-452-885-11	MAGNET, LANDING	
16 *	4-371-629-01	STOPPER, WIRE		28	4-062-047-01	PIECE A (110), CONV. CORRECT	
				29	3-704-372-31	HOLDER, HV	

The components identified by shading and "Δ" mark are critical for safety. Replace only with specified part number.

Les composants identifiés par un trame et une marque Δ sont critiques pour la sécurité. Ne les remplacer que par une pièce portant le numéro spécifique.

## 7-2. CHASSIS (KV-35S40/35S45/37SL45)

- 7-685-648-79 SCREW +BVTP 3X12
- 4-388-477-01 SCREW +BVTP 3X16



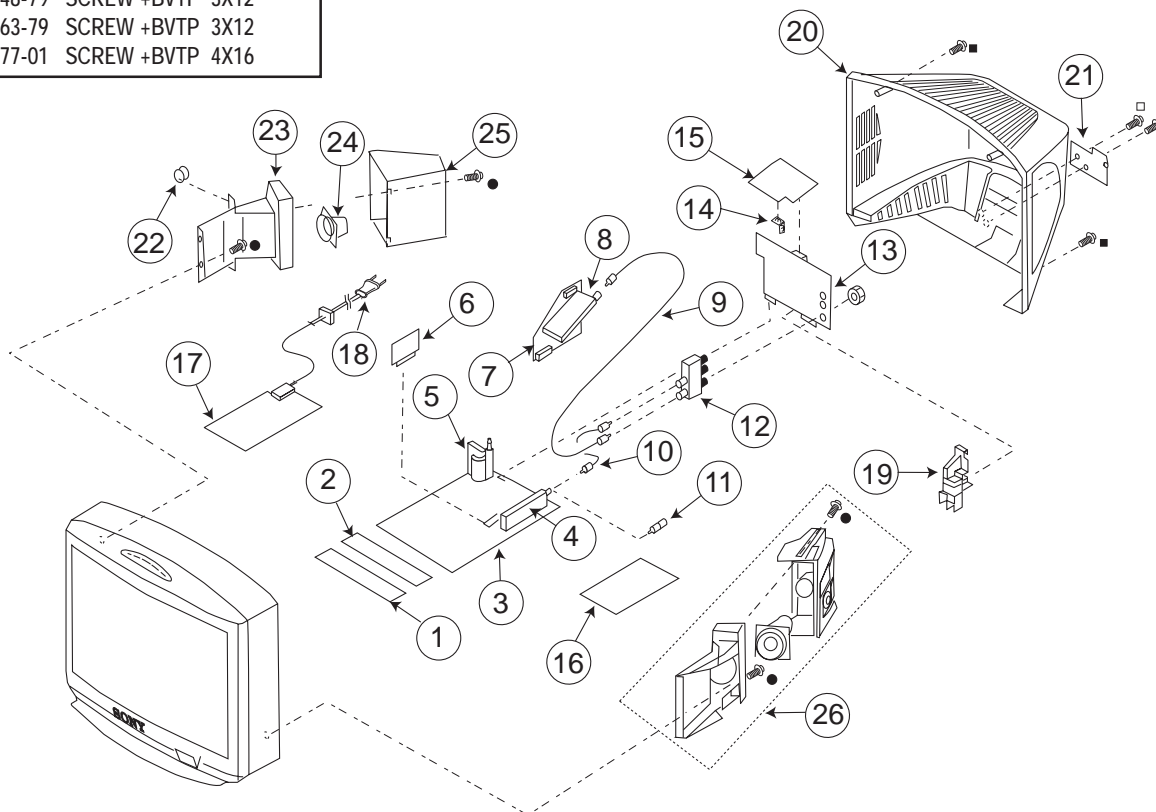
REF.NO.	PART NO.	DESCRIPTION	REMARK	REF.NO.	PART NO.	DESCRIPTION	REMARK
1	X-4035-596-1	BEZNET ASSY (KV-35S40)	2	15 Δ	1-411-882-11	COIL, DEMAGNETIC	
1	X-4035-597-1	BEZNET ASSY (KV-35S45/37SL45)	2	16	4-052-900-02	HOLDER, DGC	
2	4-046-160-01	EMBLEM (NO.9), SONY		17	4-059-585-01	TIE, CABLE (KV-35S40/35S45/37SL45)	
3	4-058-053-11	BUTTON, MULTI		18	4-058-052-21	COVER, REAR	
4	4-058-054-01	BAR, OPTICAL		19 *	A-1316-399-A	G, BOARD, COMPLETE	
5	1-504-531-11	SPEAKER (13.1X6.2CM)		20 Δ	1-751-059-11	CORD, POWER (W/CONNECTOR)	
6 Δ	8-733-761-61	ITC 37GXT-A1	7,8	21 Δ	X-4034-797-1	TRANSFORMER, FBT ASSY NX-3005//J1C	
7 Δ	8-733-761-05	CRT 37GXT		22 *	A-1135-950-A	B, BOARD COMPLETE	
8 Δ	8-451-480-11	DY Y37GXA-X		23	1-766-374-11	PLUG, F-PIN	
9 Δ	8-453-007-11	NA324-M (KV-35S40/35S45/37SL45)		24	8-598-431-00	FSS TUNER, BTF-WA411	
10 *	A-1372-462-A	WA BOARD, MOUNTED		25 *	A-1195-138-A	P BOARD, COMPLETE (KV-35S45/37SL45)	
11	4-046-765-01	SCREW, TAPPING		26 *	A-1298-645-A	A, BOARD COMPLETE (KV-35S40)	
12 *	A-1331-843-A	C BOARD, COMPLETE		26 *	A-1298-646-A	A, BOARD COMPLETE (KV-35S45/37SL45)	
13	4-036-329-01	SPRING (B) TENSION		27 *	A-1372-523-A	HV BOARD, COMPLETE	
14 Δ	1-411-881-11	COIL, DEMAGNETIC		28 *	A-1372-507-A	HS BOARD, COMPLETE	
				29	3-704-372-31	HOLDER, HV	

The components identified by shading and "Δ" mark are critical for safety. Replace only with specified part number.

Les composants identifiés par un trame et une marque Δ sont critiques pour la sécurité. Ne les remplacer que par une pièce portant le numéro spécifique.

### 7-3. CHASSIS (KV-32V40/32V65/34VL65/35VL65C/35V65/37VL65/37VL65C)

- 7-685-648-79 SCREW +BVTP 3X12
- 7-685-663-79 SCREW +BVTP 3X12
- 4-388-477-01 SCREW +BVTP 4X16

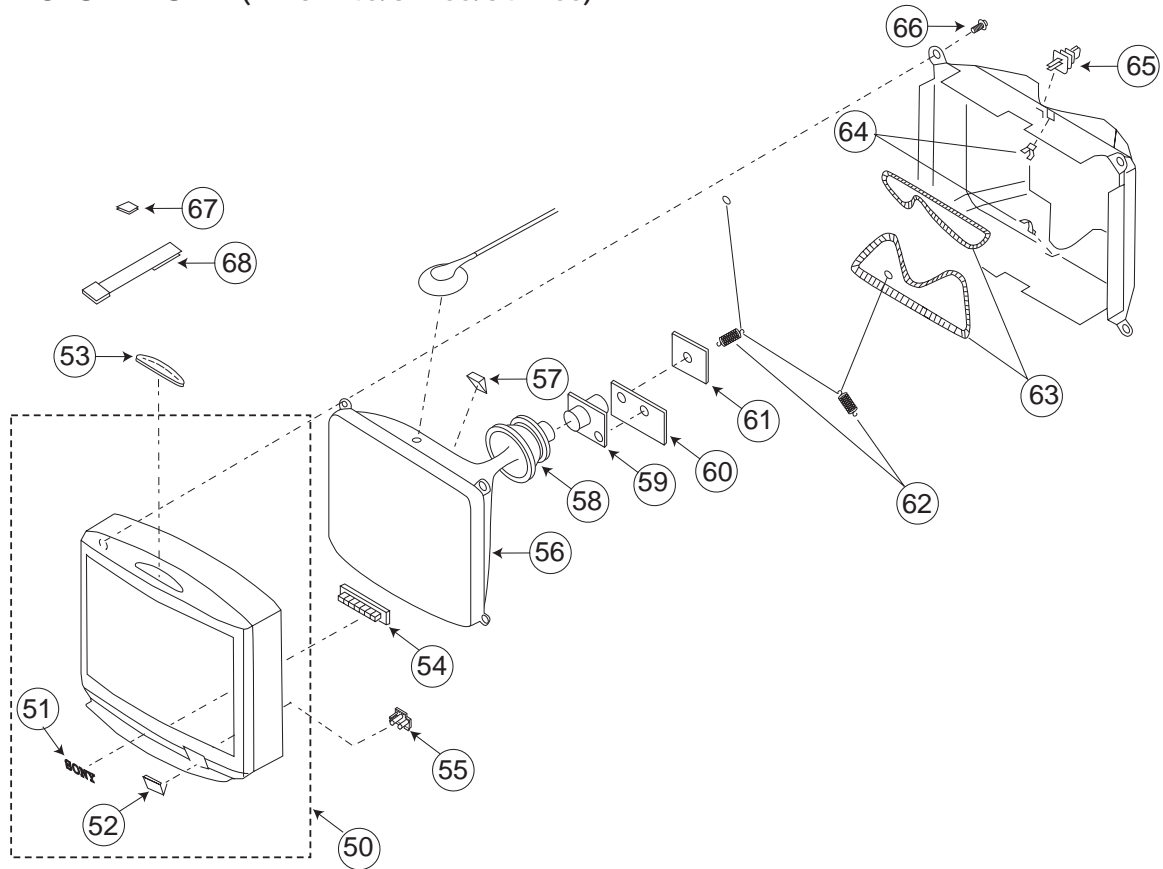


REF.NO.	PART NO.	DESCRIPTION	REMARK	REF.NO.	PART NO.	DESCRIPTION	REMARK
1 *	A-1372-510-A	HS BOARD, COMPLETE		15 *	A-1135-948-A	B BOARD, COMPLETE (KV-32V40 ONLY)	
2 *	A-1372-505-A	HV BOARD, COMPLETE (KV-32V40 ONLY)		15 *	A-1135-949-A	B BOARD, COMPLETE (EXCEPT KV-32V40)	
2 *	A-1372-509-A	HV BOARD, COMPLETE (EXCEPT KV-32V40)		16 *	A-1380-585-A	K BOARD, MOUNTED (EXCEPT KV-32V40)	
3 *	A-1298-613-A	A BOARD, COMPLETE (KV-34VL65C/32V65/34VL65)		17 *	A-1316-389-A	G BOARD, COMPLETE (KV-32V40)	
3 *	A-1298-647-A	A BOARD, COMPLETE (KV-35V65/37VL65/37VL65C)		17 *	A-1316-390-A	G BOARD, COMPLETE (KV-34VL65C)	
3 *	A-1298-611-A	A BOARD, COMPLETE (KV-32V40 ONLY)		17 *	A-1316-391-A	G BOARD, COMPLETE (KV-32V65/34VL65)	
4 Δ	8-598-431-00	TUNER, FSS BTF-WA411		17 *	A-1316-405-A	G BOARD, COMPLETE (KV-35V65/37VL65)	
5 Δ	1-453-207-11	TRANSFORMER, FBT ASSY NX-2609//X4C (KV-32V40/34VL65C/32V65/34VL65)		17 *	A-1316-406-A	G BOARD, COMPLETE (KV-37VL65C)	
5 Δ	X-4034-797-1	TRANSFORMER, FBT ASSY NX-3005//J1C (KV-35V65/37VL65/37VL65C)		18 Δ	1-751-059-11	CORD, POWER (WITH CONNECTOR)	
6 *	A-1195-138-A	P BOARD, COMPLETE (EXCEPT KV-32V40)		19	4-052-905-01	V5/6 BRACKET (KV-35V65/37VL65/37VL65C)	
7 *	A-1298-612-A	AV BOARD, COMPLETE (EXCEPT KV-32V40)		20	4-052-903-11	COVER, REAR (KV-35V65/37VL65/37VL65C)	
8 Δ	8-598-430-00	TUNER, FSS BTF-FA401 (EXCEPT 32V40)		20	4-053-766-21	COVER, REAR (KV-32V65/34VL65C/34VL65)	
9 *	1-556-056-01	CABLE, P-P (EXCEPT KV-32V40)		20	4-053-766-31	COVER, REAR (KV-32V40)	
10 *	1-557-945-21	CABLE, P-P (EXCEPT KV-32V40)		21 *	4-052-898-41	LABEL, TERMINAL (EXCEPT KV-32V40)	
11	1-766-374-11	PLUG, F-PIN (KV-32V40 ONLY)		21 *	4-052-899-31	LABEL, TERMINAL (KV-32V40 ONLY)	
12	8-598-414-00	ANTENNA SWITCH (KV-35V65/37VL65/37VL65C)		22	4-374-745-31	CUSHION (A) (KV-32V40/34VL65C/32V65/34VL65)	
13 *	A-1394-905-A	UV BOARD, COMPLETE (KV-32V40 ONLY)		23	X-4035-400-1	BAFFLE ASSY (KV-32V40/34VL65C/32V65/34VL65)	
13 *	A-1394-906-A	UV BOARD, COMPLETE (EXCEPT KV-32V40)		24	1-503-326-21	SPEAKER (8CM) (KV-34VL65C/32V65/34VL65)	
14	3-696-606-02	HINGE, VI (KV-32V40 ONLY)		24	1-504-524-31	SPEAKER (8CM) (KV-32V40 ONLY)	
				25	X-4035-401-1	COVER ASSY (KV-32V40/34VL65C/32V65/34VL65)	
				26	1-505-684-11	SPEAKER UNIT, BOX TYPE 2 WAY (KV-35V65/37VL65/37VL65C)	

The components identified by shading and "Δ" mark are critical for safety. Replace only with specified part number.

Les composants identifiés par un trape et une marque Δ sont critiques pour la sécurité. Ne les remplacer que par une pièce portant le numéro spécifié.

### 7-4. PICTURE TUBE (KV-32V40/32V65/34VL65)

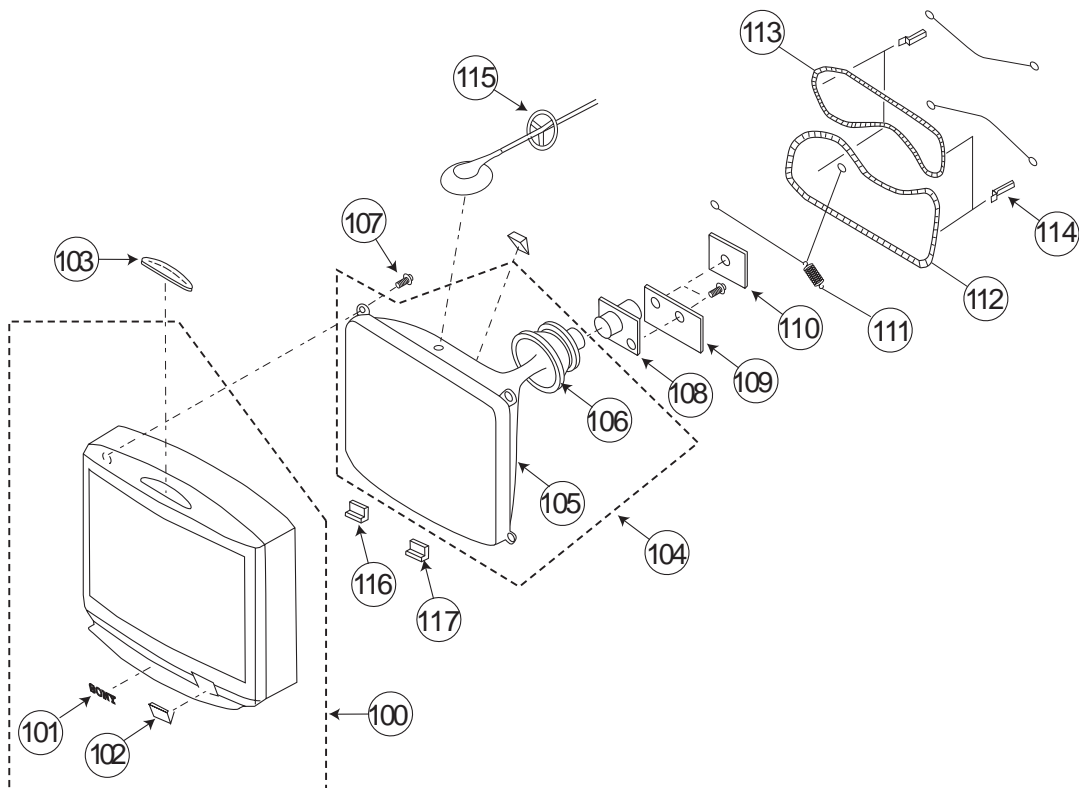


REF.NO.	PART NO.	DESCRIPTION	REMARK
50	X-4035-591-1	BEZNET ASSY (KV-32V40 ONLY)	51,52
50	X-4035-592-1	BEZNET ASSY (KV-34VL65C/32V65/34VL65)	51,52
51	4-046-160-01	EMBLEM, (NO.9) SONY (KV-32V40 ONLY)	
52	4-052-906-01	DOOR, CONTROL (KV-32V40 ONLY)	
52	4-052-906-11	DOOR, CONTROL (EXCEPT KV-32V40)	
53	1-473-549-21	SWITCH, BLOCK CONTROL (KV-34VL65C/32V65/34VL65)	
54	4-052-907-11	BUTTON, MULTI (KV-32V40 ONLY)	
55	* 4-052-897-01	GUIDE, LED	
56	Δ 8-733-756-05	CRT 34FX2T A80JYV52X (KV-34VL65C)	
56	Δ 8-733-757-05	CRT34FX2T A80JYV52X (KV-32V40/32V65/34VL65)	
57	4-053-005-01	SPACER, DY	
58	Δ 8-451-482-21	DY Y34FXA2-X	
59	Δ 1-452-579-21	NECK ASSY	
60	* A-1372-508-A	WB BOARD, MOUNTED	
61	* A-1331-837-A	C BOARD, COMPLETE	
62	4-036-329-01	SPRING (B), TENSION	
63	Δ 1-402-952-11	COIL, DEMAGNETIC	
64	4-371-629-01	STOPPER, WIRE	
65	4-033-681-01	HOLDER, LEAD	
66	4-041-268-01	SCREW (7), TAPPING	
67	1-452-885-11	MAGNET, LANDING	
68	4-062-047-01	PIECE A (110), CORR. CONV.	

The components identified by shading and "Δ" mark are critical for safety. Replace only with specified part number.

Les composants identifiés par un trame et une marque Δ sont critiques pour la sécurité. Ne les remplacer que par une pièce portant le numéro spécifié.

## 7-5. PICTURE TUBE (KV-35VL65C/35V65/37VL65/37VL65C)



REF.NO.	PART NO.	DESCRIPTION	REMARK
100	X-4035-594-1	BEZNET ASSY	101,102
101	4-046-160-01	EMBLEM, (NO. 9), SONY	
102	4-052-906-11	DOOR, CONTROL	
103	1-473-549-21	SWITCH, BLOCK CONTROL	
104	Δ8-733-761-61	ITC 37GXT-A1	105,106
105	Δ8-733-761-05	CRT 37GXT	
106	Δ8-451-480-11	DY Y37GXA-X	
107	4-046-765-01	SCREW, TAPPING	
108	Δ8-453-007-11	NA324-M	
109	* A-1372-462-A	WA BOARD, MOUNTED	
110	* A-1331-843-A	C BOARD, COMPLETE	
111	4-036-329-01	SPRING (B), TENSION	
112	Δ1-411-882-11	COIL, DEMAGNETIC	
113	Δ1-411-881-11	COIL, DEMAGNETIC	
114	* 4-052-900-02	HOLDER, DGC	
115	3-704-372-31	HOLDER, HV	
116	4-052-902-01	CRT SUPPORT (L)	
117	4-052-901-01	CRT SUPPORT (R)	

## SECTION 8 ELECTRICAL PARTS LIST

<b>PARTS LISTING TABLE OF CONTENTS</b>
--

	<b>Page</b>
<b>A BOARD <u>COMMON</u> PARTS LIST (S SERIES):</b> Parts common to <u>all</u> models listed in this manual.....	72
<b>A BOARD <u>VARIANT</u> PARTS LIST (S SERIES):</b> Parts that belong <u>only</u> to the model specified.....	80
<b>A BOARD <u>COMMON</u> PARTS LIST (V SERIES):</b> Parts common to <u>all</u> models listed in this manual.....	85
<b>A BOARD <u>VARIANT</u> PARTS LIST (V SERIES):</b> Parts that belong <u>only</u> to the model specified.....	91

Refer to the designated variant parts list when seeking a part indicated by an asterisk (\*) on the A board schematic or by the word "variant" on the common parts list.

<b><u>Model</u></b>	<b><u>Page</u></b>
KV-32S40/34SL40/34SL40C .....	80
KV-32S45/34SL45 .....	81
KV-35S40 .....	82
KV-35S45/37SL45 .....	83
KV-34SL40T .....	84
KV-32V40 .....	91
KV-34VL65C/34VL65/32V65CND .....	92
KV-35V65CND/37VL65/37VL65C.....	93
<b>AV BOARD <u>COMPLETE</u> PARTS LIST</b> (KV-34VL65C/32V65CND/34VL65/35V65CND/37VL65/37VL65C only) .....	94
<b>B BOARD <u>COMPLETE</u> PARTS LIST</b> (All Models).....	95
<b>C BOARD <u>COMPLETE</u> PARTS LIST</b> (All Models) .....	97
<b>G BOARD <u>COMPLETE</u> PARTS LIST</b> (All Models).....	98
<b>HS BOARD <u>COMPLETE</u> PARTS LIST</b> (KV-32V40/34VL65C/32V65CND/34VL65/35V65CND/37VL65/37VL65C/32S45/ 34SL45/35S40/35S45/37SL45 only) .....	101
<b>HV BOARD <u>COMPLETE</u> PARTS LIST</b> (KV-32V40/34VL65C/32V65CND/34VL65/35V65CND/37VL65/37VL65C/35S40/ 35S45/37SL45 only) .....	102
<b>K BOARD <u>COMPLETE</u> PARTS LIST</b> (KV-34VL65C/32V65CND/34VL65/35V65CND/37VL65/37VL65C only).....	104
<b>P BOARD <u>COMPLETE</u> PARTS LIST</b> (KV-34VL65C/32V65CND/34VL65/35V65CND/37VL65/37VL65C/32S45/34SL45/ 35S45/37SL45 only) .....	105
<b>UV BOARD <u>COMPLETE</u> PARTS LIST</b> (KV-32V40/34VL65C/32V65CND/34VL65/35V65CND/37VL65/37VL65C only) .....	107
<b>WA BOARD <u>COMPLETE</u> PARTS LIST</b> (KV-35S40/35S45/37SL45/35V65CND/37VL65/37VL65C only) .....	111
<b>WB BOARD <u>COMPLETE</u> PARTS LIST</b> (KV-32S40/34SL40/34SL40C/32S45/34SL45/32V40/34VL65C/32V65CND/ 34VL65 only) .....	113
<b>ACCESSORIES AND PACKAGING</b> (All Models) .....	114



SECTION 8

ELECTRICAL PARTS LIST (FOR S SERIES)

Note:

The components identified by shading and mark  $\Delta$  are critical for safety. Replace only with part number specified.

Note:

Les composants identifiés par un trame et une marque  $\Delta$  sont critiques pour la sécurité. Ne les remplacer que par une pièce portant le numéro spécifié.

The components identified by  $\Delta$  in this manual have been carefully factory-selected for each set in order to satisfy regulations regarding X-ray radiation. Should replacement be required, replace only with the value originally used.

• Items marked " \* " are not stocked since they are seldom required for routine service. Some delay should be anticipated when ordering these items.

• All variable and adjustable resistors have characteristic curve B, unless otherwise noted.

RESISTORS

- All resistors are in ohms
- F : nonflammable

CAPACITORS

- MF =  $\mu$ F

INDUCTORS

- UH =  $\mu$ H, MMH = mH

When indicating parts by reference number, please include the board name.

REF.NO. PART NO. DESCRIPTION REMARK



- \* A-1298-630-A A BOARD, COMPLETE (KV-32S40/34SL40/34SL40C only)
- \* A-1298-631-A A BOARD, COMPLETE (KV-32S45/34SL45 only)
- \* A-1298-645-A A BOARD, COMPLETE (KV-35S40 only)
- \* A-1298-646-A A BOARD, COMPLETE (KV-35S45/37SL45 only)
- \* A-1298-661-A A BOARD, COMPLETE (KV-34SL40T only)

- 1-923-513-27 WIRE UL1007 AWG22 180MM GRY
- 4-382-854-11 SCREW (M3X10), P, SW (+)

CAPACITOR

REF.NO.	PART NO.	DESCRIPTION	REMARK
C001	1-163-259-91	CERAMIC CHIP 220PF	5% 50V
C003	1-104-760-11	CERAMIC CHIP 0.047MF	10% 50V
C005	1-126-960-11	ELECT 1MF	20% 50V
C009	1-126-967-11	ELECT 47MF	20% 50V
C010	1-163-033-91	CERAMIC CHIP 0.022MF	50V
C012	1-216-033-00	RES, CHIP 220	5% 1/10W
C013	1-216-121-91	RES, CHIP 1M	5% 1/10W
C014	1-164-161-11	CERAMIC CHIP 0.0022MF	10% 50V
C023	1-163-259-91	CERAMIC CHIP 220PF	5% 50V
C028	1-163-227-11	CERAMIC CHIP 10PF	0.5PF 50V
C029	1-163-227-11	CERAMIC CHIP 10PF	0.5PF 50V
C030	1-163-009-11	CERAMIC CHIP 0.001MF	10% 50V
C035	1-163-237-11	CERAMIC CHIP 27PF	5% 50V
C036	1-163-231-11	CERAMIC CHIP 15PF	5% 50V
C037	1-163-243-11	CERAMIC CHIP 47PF	5% 50V
C038	1-163-243-11	CERAMIC CHIP 47PF	5% 50V
C039	1-163-243-11	CERAMIC CHIP 47PF	5% 50V
C040	1-163-243-11	CERAMIC CHIP 47PF	5% 50V
C051	1-164-004-11	CERAMIC CHIP 0.1MF	10% 25V
C053	1-163-021-91	CERAMIC CHIP 0.01MF	10% 50V
C056	1-163-243-11	CERAMIC CHIP 47PF	5% 50V
C061	1-163-033-91	CERAMIC CHIP 0.022MF	50V
C062	1-163-033-91	CERAMIC CHIP 0.022MF	50V
C063	1-126-935-11	ELECT 470MF	20% 16V
C068		VARIANT (SEE VARIANT PARTS LIST)	

REF.NO. PART NO. DESCRIPTION REMARK

REF.NO.	PART NO.	DESCRIPTION	REMARK
C069		VARIANT (SEE VARIANT PARTS LIST)	
C070	1-126-967-11	ELECT 47MF	20% 50V
C071	1-164-096-11	CERAMIC CHIP 0.01MF	50V
C072	1-164-161-11	CERAMIC CHIP 0.0022MF	10% 50V
C075	1-107-823-11	CERAMIC CHIP 0.47MF	10% 16V
C353	1-163-231-11	CERAMIC CHIP 15PF	5% 50V
C354	1-163-133-00	CERAMIC CHIP 470PF	5% 50V
C355	1-126-959-11	ELECT 0.47MF	20% 50V
C356	1-126-963-11	ELECT 4.7MF	20% 50V
C357	1-126-959-11	ELECT 0.47MF	20% 50V
C358	1-163-021-91	CERAMIC CHIP 0.01MF	10% 50V
C359	1-126-933-11	ELECT 100MF	20% 16V
C363	1-163-021-91	CERAMIC CHIP 0.01MF	10% 50V
C364	1-163-021-91	CERAMIC CHIP 0.01MF	10% 50V
C365	1-163-021-91	CERAMIC CHIP 0.01MF	10% 50V
C366	1-130-495-00	FILM 0.1MF	5% 50V
C367	1-130-495-00	FILM 0.1MF	5% 50V
C368	1-130-495-00	FILM 0.1MF	5% 50V
C369	1-163-243-11	CERAMIC CHIP 47PF	5% 50V
C370		VARIANT (SEE VARIANT PARTS LIST)	
C371	1-163-141-00	CERAMIC CHIP 0.001MF	5% 50V
C372	1-126-959-11	ELECT 0.47MF	20% 50V
C373	1-126-960-11	ELECT 1MF	20% 50V
C375		VARIANT (SEE VARIANT PARTS LIST)	
C376	1-126-964-11	ELECT 10MF	20% 50V
C377	1-130-495-00	FILM 0.1MF	5% 50V
C378	1-130-495-00	FILM 0.1MF	5% 50V
C379	1-163-021-91	CERAMIC CHIP 0.01MF	10% 50V
C380	1-126-935-11	ELECT 470MF	20% 16V
C381	1-163-003-11	CERAMIC CHIP 330PF	10% 50V
C383	1-130-495-00	FILM 0.1MF	5% 50V
C385	1-164-182-11	CERAMIC CHIP 0.0033MF	10% 50V
C386	1-163-021-91	CERAMIC CHIP 0.01MF	10% 50V
C387	1-126-961-11	ELECT 2.2MF	20% 50V
C388	1-126-959-11	ELECT 0.47MF	20% 50V
C390	1-126-960-11	ELECT 1MF	20% 50V
C391	1-163-017-00	CERAMIC CHIP 0.0047MF	10% 50V
C392	1-163-251-11	CERAMIC CHIP 100PF	5% 50V



# S SERIES COMMON PARTS LISTING



**Note:**

The components identified with shading and a critical symbol (  $\Delta$  ) are critical for safety. Replace only with part number specified.

**Note:**

Les composants identifiés par un trame et une marque  $\Delta$  sont critiques pour la sécurité. Ne les remplacer que par une pièce portant le numéro spécifié.

REF.NO.	PART NO.	DESCRIPTION	REMARK
C461	1-126-933-11	ELECT	100MF 20% 16V
C462	1-126-961-11	ELECT	2.2MF 20% 50V
C463	1-126-961-11	ELECT	2.2MF 20% 50V
C464	1-163-017-00	CERAMIC CHIP	0.0047MF 10% 50V
C466	1-104-666-11	ELECT	220MF 20% 25V
C467	1-163-017-00	CERAMIC CHIP	0.0047MF 10% 50V
C468	1-104-664-11	ELECT	47MF 20% 25V
C470	1-126-961-11	ELECT	2.2MF 20% 50V
C471	1-104-666-11	ELECT	220MF 20% 25V
C472	1-136-173-00	FILM	0.47MF 5% 50V
C473	1-136-169-00	FILM	0.22MF 5% 50V
C474	1-126-942-61	ELECT	1000MF 20% 25V
C475	1-136-169-00	FILM	0.22MF 5% 50V
C476	1-126-942-61	ELECT	1000MF 20% 25V
C477	1-126-942-61	ELECT	1000MF 20% 25V
C501	1-163-259-91	CERAMIC CHIP	220PF 5% 50V
C502	1-126-959-11	ELECT	0.47MF 20% 50V
C503	1-163-003-11	CERAMIC CHIP	330PF 10% 50V
C504	1-102-212-00	CERAMIC CHIP	820PF 10% 500V
C505	1-102-002-00	CERAMIC CHIP	680PF 10% 500V
C506	1-106-383-00	MYLAR	0.047MF 10% 200V
C507 $\Delta$	1-162-116-00	CERAMIC CHIP	680PF 10% 2KV
C508	1-102-244-00	CERAMIC CHIP	220PF 10% 500V
C509	1-162-116-00	CERAMIC CHIP	680PF 10% 2KV
C510	1-137-150-11	MYLAR	0.01MF 10% 100V
C511 $\Delta$	1-115-460-11	FILM	0.022MF 3% 1.2KV
C513		VARIANT (SEE VARIANT PARTS LIST)	
C514		VARIANT (SEE VARIANT PARTS LIST)	
C515	1-106-343-00	MYLAR	0.001MF 10% 100V
C516	1-115-461-11	FILM	2MF 5% 200V
C517	1-107-649-11	ELECT	2.2MF 20% 250V
C518	1-106-395-00	MYLAR	0.15MF 10% 200V
C519	1-162-815-11	CERAMIC CHIP	47PF 5% 500V
C520		VARIANT (SEE VARIANT PARTS LIST)	
C521		VARIANT (SEE VARIANT PARTS LIST)	
C522	1-126-960-11	ELECT	1MF 20% 50V
C525	1-102-244-00	CERAMIC CHIP	220PF 10% 500V
C526	1-107-662-11	ELECT	22MF 20% 250V
C527	1-162-116-00	CERAMIC CHIP	680PF 10% 2KV
C528	1-164-161-11	CERAMIC CHIP	0.0022MF 10% 50V
C529	1-128-551-11	ELECT	22MF 20% 25V
C530	1-137-366-11	FILM	0.0022MF 5% 50V
C531	1-126-965-11	ELECT	22MF 20% 50V
C532	1-126-965-11	ELECT	22MF 20% 50V
C537		VARIANT (SEE VARIANT PARTS LIST)	
C539		VARIANT (SEE VARIANT PARTS LIST)	
C540	1-123-024-21	ELECT	33MF 160V
C541	1-128-560-11	ELECT	22MF 20% 100V
C542		VARIANT (SEE VARIANT PARTS LIST)	

REF.NO.	PART NO.	DESCRIPTION	REMARK
C545	1-106-387-00	MYLAR	0.068MF 10% 200V
C546	1-106-343-00	MYLAR	0.001MF 10% 100V
C547	1-106-343-00	MYLAR	0.001MF 10% 100V
C551	1-163-037-11	CERAMIC CHIP	0.022MF 10% 50V
C561	1-126-967-11	ELECT	47MF 20% 50V
C563	1-126-934-11	ELECT	220MF 20% 10V
C564	1-126-960-11	ELECT	1MF 20% 50V
C565	1-126-969-11	ELECT	220MF 20% 50V
C566	1-126-964-11	ELECT	10MF 20% 50V
C568	1-136-169-00	FILM	0.22MF 5% 50V
C571	1-104-664-11	ELECT	47MF 20% 25V
C1002	1-126-964-11	ELECT	10MF 20% 50V
C1101	1-126-768-11	ELECT	2200MF 20% 16V
C1103	1-126-965-11	ELECT	22MF 20% 50V
C1104	1-104-664-11	ELECT	47MF 20% 16V
C1105	1-104-664-11	ELECT	47MF 20% 16V
C1106	1-126-964-11	ELECT	10MF 20% 50V
C1107	1-163-003-11	CERAMIC CHIP	330PF 10% 50V
C1108	1-126-960-11	ELECT	1MF 20% 50V
C1109	1-126-964-11	ELECT	10MF 20% 50V
C1110	1-163-227-11	CERAMIC CHIP	10PF 0.5PF 50V
C1111	1-163-227-11	CERAMIC CHIP	10PF 0.5PF 50V
C1112	1-163-227-11	CERAMIC CHIP	10PF 0.5PF 50V
C1236	1-163-031-11	CERAMIC CHIP	0.01MF 50V
C1237	1-136-161-00	FILM	0.047MF 5% 50V
C1238	1-136-161-00	FILM	0.047MF 5% 50V
C1239	1-126-960-11	ELECT	1MF 20% 50V
C1240	1-126-960-11	ELECT	1MF 20% 50V
C1241		VARIANT (SEE VARIANT PARTS LIST)	
C1242		VARIANT (SEE VARIANT PARTS LIST)	
C1243		VARIANT (SEE VARIANT PARTS LIST)	
C1244	1-126-959-11	ELECT	0.47MF 20% 50V
C1245	1-126-959-11	ELECT	0.47MF 20% 50V
C1261	1-104-664-11	ELECT	47MF 20% 16V
C1262	1-104-664-11	ELECT	47MF 20% 16V
C1263	1-126-960-11	ELECT	1MF 20% 50V
C1264	1-126-960-11	ELECT	1MF 20% 50V
C1267	1-136-161-00	FILM	0.047MF 5% 50V
C1268	1-126-960-11	ELECT	1MF 20% 50V
C1269	1-126-960-11	ELECT	1MF 20% 50V
C1293	1-163-251-11	CERAMIC CHIP	100PF 5% 50V
C1351	1-163-251-11	CERAMIC CHIP	100PF 5% 50V
C1352	1-126-933-11	ELECT	100MF 20% 16V
C1353	1-163-037-11	CERAMIC CHIP	0.022MF 10% 50V
C1354	1-216-295-91	SHORT	
C1401	1-126-959-11	ELECT	0.47MF 20% 50V
C1402	1-104-664-11	ELECT	47MF 20% 25V
C1403	1-126-959-11	ELECT	0.47MF 20% 50V
C1404	1-126-956-91	ELECT	0.1MF 20% 50V



# S SERIES COMMON PARTS LISTING

### Note:

The components identified with shading and a critical symbol (  $\Delta$  ) are critical for safety. Replace only with part number specified.

### Note:

Les composants identifiés par un trame et une marque  $\Delta$  sont critiques pour la sécurité. Ne les remplacer que par une pièce portant le numéro spécifié.

REF.NO.	PART NO.	DESCRIPTION	REMARK	REF.NO.	PART NO.	DESCRIPTION	REMARK
C1405	1-163-017-00	CERAMIC CHIP	0.0047MF 10% 50V	D515	8-719-302-43	DIODE EL1Z	
C1406	1-126-956-91	ELECT	0.1MF 20% 50V	D516	8-719-991-33	DIODE 1SS133T-77	
C1407	1-163-017-00	CERAMIC CHIP	0.0047MF 10% 50V	D518	8-719-991-33	DIODE 1SS133T-77	
C1408	1-126-963-11	ELECT	4.7MF 20% 50V	D519 $\Delta$	8-719-302-43	DIODE EL1Z	
C1409	1-126-963-11	ELECT	4.7MF 20% 50V	D520	8-719-991-33	DIODE 1SS133T-77	
C1410	1-126-956-91	ELECT	0.1MF 20% 50V	D521	8-719-921-63	DIODE MTZJ-7.5B	
C1411	1-165-319-11	CERAMIC CHIP	0.1MF 50V	D530	8-719-979-85	DIODE EGP20G	
C1413	1-126-963-11	ELECT	4.7MF 20% 50V	D531	8-719-979-85	DIODE EGP20G	
C1415	1-126-964-11	ELECT	10MF 20% 50V	D534	8-719-302-43	DIODE EL1Z	
C1416	1-126-963-11	ELECT	4.7MF 20% 50V	D561	8-719-908-03	DIODE GP08D	
C1417	1-126-767-11	ELECT	1000MF 20% 16V	D562	8-719-991-33	DIODE 1SS133T-77	
C1420	1-126-963-11	ELECT	4.7MF 20% 50V	D1102	8-719-982-24	DIODE MTZJ-33A	
C1501		VARIANT (SEE VARIANT PARTS LIST)		D1103	8-719-109-89	DIODE RD5.6ESB2	
<b>CONNECTOR</b>				D1247	8-719-110-17	DIODE RD10ESB2	
CN270	1-573-298-11	CONNECTOR, BOARD TO BOARD	20P	D1248	8-719-981-99	DIODE MTZJ-3.3	
CN351 *	1-564-509-11	PLUG, CONNECTOR	6P	D1261	8-719-110-17	DIODE RD10ESB2	
CN461 *	1-564-507-11	PLUG, CONNECTOR	4P	D1262	8-719-110-17	DIODE RD10ESB2	
CN501 *	1-580-798-11	CONNECTOR	6P	D1263	8-719-110-17	DIODE RD10ESB2	
CN503 *	1-564-508-11	PLUG, CONNECTOR	5P	D1264	8-719-110-17	DIODE RD10ESB2	
CN1001		VARIANT (SEE VARIANT PARTS LIST)		<b>FERRITE BEAD</b>			
CN1641 *	1-564-515-11	PLUG, CONNECTOR	12P	FB501	1-410-396-41	FERRITE 0.45UH	
CN1941 *	1-564-508-11	PLUG, CONNECTOR	8P	FB502	1-410-397-21	FERRITE 1.1UH	
CN3001		VARIANT (SEE VARIANT PARTS LIST)		FB503	1-410-397-21	FERRITE 1.1UH	
<b>DIODE</b>				<b>IC</b>			
D001	8-719-991-33	DIODE 1SS133T-77		IC001	8-752-897-18	IC CXP85840A-011S	
D002	8-719-109-89	DIODE RD5.6ESB2		IC002	8-759-527-74	IC M24C02-MN6T	
D003	8-719-991-33	DIODE 1SS133T-77		IC003		VARIANT (SEE VARIANT PARTS LIST)	
D004	8-719-110-17	DIODE RD10ESB2		IC351	8-752-082-73	IC CXA2095S	
D005		VARIANT (SEE VARIANT PARTS LIST)		IC461	8-759-980-43	IC TDA2009A	
D006		VARIANT (SEE VARIANT PARTS LIST)		IC501	8-759-700-07	IC NJM2903M	
D011	8-719-983-20	DIODE MTZJ-T-77-4.3C		IC561	8-759-980-58	IC TDA8172	
D013	8-719-991-33	DIODE 1SS133T-77		IC1261		VARIANT (SEE VARIANT PARTS LIST)	
D014	8-719-991-33	DIODE 1SS133T-77		IC1401	8-752-072-39	IC CXA2021S	
D015	8-719-991-33	DIODE 1SS133T-77		IC1402	8-759-100-96	IC UPC4558G2	
D353	8-719-991-33	DIODE 1SS133T-77		<b>JACK</b>			
D356	8-719-991-33	DIODE 1SS133T-77		J1232	1-774-751-11	TERMINAL BLOCK, S	
D360	8-719-110-17	DIODE RD10ESB2		J1233		VARIANT (SEE VARIANT PARTS LIST)	
D362	8-719-991-33	DIODE 1SS133T-77		J1234	1-774-750-11	JACK BLOCK, PIN	
D368		VARIANT (SEE VARIANT PARTS LIST)		<b>CHIP CONDUCTOR</b>			
D462	8-719-991-33	DIODE 1SS133T-77		JR351		VARIANT (SEE VARIANT PARTS LIST)	
D501	8-719-109-89	DIODE RD5.6ESB2		JR352		VARIANT (SEE VARIANT PARTS LIST)	
D502	8-719-945-80	DIODE ERC06-15S		JR501	1-216-295-91	SHORT	
D503	8-719-945-80	DIODE ERC06-15S		JR1264		VARIANT (SEE VARIANT PARTS LIST)	
D504	8-719-900-26	DIODE ERD29-08J		JR1450	1-216-295-91	SHORT	
D505	8-719-908-03	DIODE GP08D		JR1451	1-216-295-91	SHORT	
D506	8-719-908-03	DIODE GP08D					
D507	8-719-991-33	DIODE 1SS133T-77					

**Note:**

The components identified with shading and a critical symbol (  $\Delta$  ) are critical for safety. Replace only with part number specified.

**Note:**

Les composants identifiés par un trame et une marque  $\Delta$  sont critiques pour la sécurité. Ne les remplacer que par une pièce portant le numéro spécifié.

**S SERIES  
COMMON PARTS LISTING**



REF.NO.	PART NO.	DESCRIPTION	REMARK	REF.NO.	PART NO.	DESCRIPTION	REMARK
JR1454	1-216-295-91	SHORT		Q462	8-729-216-22	TRANSISTOR 2SA1162-G	
JR1455	1-216-295-91	SHORT		Q501	8-729-140-50	TRANSISTOR 2SC3209LK	
JR1801	1-216-295-91	SHORT		Q502 $\Delta$	8-729-035-75	TRANSISTOR 2SC5148(LBSONY)	
JR1802	1-216-295-91	SHORT		Q511 $\Delta$	8-729-422-27	TRANSISTOR 2SD601A-Q	
JR1803	1-216-295-91	SHORT		Q512 $\Delta$	8-729-809-29	TRANSISTOR 2SC4159-E	
JR1804	1-216-295-91	SHORT		Q551	8-729-216-22	TRANSISTOR 2SA1162-G	
JR4120	1-216-295-91	SHORT		Q552	8-729-422-27	TRANSISTOR 2SD601A-Q	
<b>COIL</b>				Q561	8-729-422-27	TRANSISTOR 2SD601A-Q	
L001	1-408-421-00	INDUCTOR 100UH		Q562	8-729-422-27	TRANSISTOR 2SD601A-Q	
L002	1-408-421-00	INDUCTOR 100UH		Q563	8-729-105-08	TRANSISTOR 2SA1330-06	
L003	1-410-470-11	INDUCTOR 10UH		Q1102	8-729-119-78	TRANSISTOR 2SC2785-HFE	
L004	1-410-470-11	INDUCTOR 10UH		Q1103	8-729-422-27	TRANSISTOR 2SD601A-QRS-TX	
L352	1-412-537-31	INDUCTOR 100UH		Q1231	8-729-422-27	TRANSISTOR 2SD601A-Q	
L461	1-408-602-31	INDUCTOR 8.2UH		Q1232	8-729-422-27	TRANSISTOR 2SD601A-Q	
L501 $\Delta$	1-411-976-11	COIL, HORIZONTAL LINEARITY		Q1261	8-729-216-22	TRANSISTOR 2SA1162-G	
L502	1-412-552-11	INDUCTOR 2.2MMH		Q1262	8-729-216-22	TRANSISTOR 2SA1162-G	
L503	1-406-677-11	INDUCTOR		Q1263	8-729-422-27	TRANSISTOR 2SD601A-Q	
L511	1-406-607-41	INDUCTOR		<b>RESISTOR</b>			
L517	1-412-552-11	INDUCTOR 2.2MMH		R001	1-216-045-00	RES, CHIP 680 5% 1/10W	
L541		VARIANT (SEE VARIANT PARTS LIST)		R002	1-247-815-91	CARBON 220 5% 1/4W	
L1101	1-408-421-00	INDUCTOR 100UH		R003	1-216-097-91	RES, CHIP 100K 5% 1/10W	
L1102	1-410-470-11	INDUCTOR 10UH		R004	1-216-121-91	RES, CHIP 1M 5% 1/10W	
L1401	1-410-494-11	INDUCTOR 1MMH		R007	1-216-073-00	RES, CHIP 10K 5% 1/10W	
<b>IC LINK</b>				R009	1-216-073-00	RES, CHIP 10K 5% 1/10W	
PS461 $\Delta$	1-532-984-11	LINK, IC 2A/90V		R010	1-216-037-00	RES, CHIP 330 5% 1/10W	
<b>TRANSISTOR</b>				R011	1-216-065-91	RES, CHIP 4.7K 5% 1/10W	
Q001	8-729-216-22	TRANSISTOR 2SA1162-G		R012		VARIANT (SEE VARIANT PARTS LIST)	
Q002	8-729-422-27	TRANSISTOR 2SD601A-Q		R013	1-216-065-91	RES, CHIP 4.7K 5% 1/10W	
Q003	8-729-422-27	TRANSISTOR 2SD601A-Q		R014	1-216-065-91	RES, CHIP 4.7K 5% 1/10W	
Q004	8-729-216-22	TRANSISTOR 2SA1162-G		R015	1-216-073-00	RES, CHIP 10K 5% 1/10W	
Q010	8-729-422-27	TRANSISTOR 2SD601A-Q		R016	1-216-073-00	RES, CHIP 10K 5% 1/10W	
Q011	8-729-422-27	TRANSISTOR 2SD601A-Q		R019	1-249-425-11	CARBON 4.7K 5% 1/4W	
Q012	8-729-422-27	TRANSISTOR 2SD601A-Q		R020	1-216-065-91	RES, CHIP 4.7K 5% 1/10W	
Q013	8-729-422-27	TRANSISTOR 2SD601A-Q		R022		VARIANT (SEE VARIANT PARTS LIST)	
Q014	8-729-422-27	TRANSISTOR 2SD601A-Q		R023	1-216-089-91	RES, CHIP 47K 5% 1/10W	
Q015	8-729-422-27	TRANSISTOR 2SD601A-Q		R024	1-249-381-11	CARBON 1 5% 1/4W	
Q016	8-729-422-27	TRANSISTOR 2SD601A-Q		R025	1-163-010-11	CERAMIC CHIP 0.0012MF 10% 50V	
Q017	8-729-216-22	TRANSISTOR 2SA1162-G		R026	1-163-038-91	CERAMIC CHIP 0.1MF 25V	
Q301	8-729-216-22	TRANSISTOR 2SA1162-G		R027	1-249-389-11	CARBON 4.7 5% 1/4W	
Q302	8-729-216-22	TRANSISTOR 2SA1162-G		R028	1-249-417-11	CARBON 1K 5% 1/4W	
Q303	8-729-216-22	TRANSISTOR 2SA1162-G		R029	1-216-025-91	RES, CHIP 100 5% 1/10W	
Q354	8-729-422-27	TRANSISTOR 2SD601A-Q		R030	1-249-425-11	CARBON 4.7K 5% 1/4W	
Q356	8-729-216-22	TRANSISTOR 2SA1162-G		R031		VARIANT (SEE VARIANT PARTS LIST)	
Q357	8-729-422-27	TRANSISTOR 2SD601A-Q		R032	1-247-815-91	CARBON 220 5% 1/4W	
Q358	8-729-422-27	TRANSISTOR 2SD601A-Q		R036	1-216-049-91	RES, CHIP 1K 5% 1/10W	
Q461	8-729-422-27	TRANSISTOR 2SD601A-Q		R037	1-216-049-91	RES, CHIP 1K 5% 1/10W	
				R038	1-216-049-91	RES,CHIP 1K 5% 1/10W	
				R039	1-247-807-31	CARBON 100 5% 1/4W	



# S SERIES COMMON PARTS LISTING

REF.NO.	PART NO.	DESCRIPTION	REMARK	REF.NO.	PART NO.	DESCRIPTION	REMARK
R044	1-216-033-00	RES, CHIP	220 5% 1/10W	R133	1-216-039-00	RES, CHIP	390 5% 1/10W
R046	1-247-815-91	CARBON	220 5% 1/4W	R135	1-216-073-00	RES, CHIP	10K 5% 1/10W
R047	1-249-417-11	CARBON	1K 5% 1/4W	R136	1-216-073-00	RES, CHIP	10K 5% 1/10W
R048	1-249-417-11	CARBON	1K 5% 1/4W	R137	1-216-049-91	RES, CHIP	1K 5% 1/10W
R049	1-249-417-11	CARBON	1K 5% 1/4W	R353	1-208-788-11	RES, CHIP	1.8K 0.50% 1/10W
R052	1-216-061-00	RES, CHIP	3.3K 5% 1/10W	R354	1-216-077-00	RES, CHIP	15K 5% 1/10W
R053	1-216-061-00	RES, CHIP	3.3K 5% 1/10W	R355	1-216-033-00	RES, CHIP	220 5% 1/10W
R054	1-216-061-00	RES, CHIP	3.3K 5% 1/10W	R356	1-216-033-00	RES, CHIP	220 5% 1/10W
R055	1-216-097-91	RES, CHIP	100K 5% 1/10W	R358		VARIANT (SEE VARIANT PARTS LIST)	
R056	1-216-033-00	RES, CHIP	220 5% 1/10W	R359		VARIANT (SEE VARIANT PARTS LIST)	
R057	1-249-417-11	CARBON	1K 5% 1/4W	R360		VARIANT (SEE VARIANT PARTS LIST)	
R058	1-216-033-00	RES, CHIP	220 5% 1/10W	R361	1-216-025-91	RES, CHIP	100 5% 1/10W
R059		VARIANT (SEE VARIANT PARTS LIST)		R362	1-216-025-91	RES, CHIP	100 5% 1/10W
R060		VARIANT (SEE VARIANT PARTS LIST)		R363	1-216-025-91	RES, CHIP	100 5% 1/10W
R061		VARIANT (SEE VARIANT PARTS LIST)		R364	1-216-101-00	RES, CHIP	150K 5% 1/10W
R062		VARIANT (SEE VARIANT PARTS LIST)		R365		VARIANT (SEE VARIANT PARTS LIST)	
R063		VARIANT (SEE VARIANT PARTS LIST)		R366	1-216-089-91	RES, CHIP	47K 5% 1/10W
R064	1-216-033-00	RES, CHIP	220 5% 1/10W	R367	1-216-097-91	RES, CHIP	100K 5% 1/10W
R065	1-216-033-00	RES, CHIP	220 5% 1/10W	R368	1-249-441-11	CARBON	100K 5% 1/4W
R066	1-216-033-00	RES, CHIP	220 5% 1/10W	R369	1-216-097-91	RES, CHIP	100K 5% 1/10W
R067	1-216-041-00	RES, CHIP	470 5% 1/10W	R370	1-249-417-11	CARBON	1K 5% 1/4W
R068	1-247-815-91	CARBON	220 5% 1/4W	R371	1-216-053-00	RES, CHIP	1.5K 5% 1/10W
R069		VARIANT (SEE VARIANT PARTS LIST)		R372	1-216-113-00	RES, CHIP	470K 5% 1/10W
R070	1-249-421-11	CARBON	2.2K 5% 1/4W	R373	1-216-073-00	RES, CHIP	10K 5% 1/10W
R071	1-247-815-91	CARBON	220 5% 1/4W	R374		VARIANT (SEE VARIANT PARTS LIST)	
R072	1-216-033-00	RES, CHIP	220 5% 1/10W	R375	1-216-025-91	RES, CHIP	100 5% 1/10W
R073	1-216-033-00	RES, CHIP	220 5% 1/10W	R376	1-216-073-00	RES, CHIP	10K 5% 1/10W
R074	1-216-033-00	RES, CHIP	220 5% 1/10W	R379	1-216-033-00	RES, CHIP	220 5% 1/10W
R075	1-216-033-00	RES, CHIP	220 5% 1/10W	R380	1-247-815-91	CARBON	220 5% 1/4W
R076	1-216-033-00	RES, CHIP	220 5% 1/10W	R381	1-247-815-91	CARBON	220 5% 1/4W
R077	1-216-033-00	RES, CHIP	220 5% 1/10W	R382	1-216-033-00	RES, CHIP	220 5% 1/10W
R078	1-249-417-11	CARBON	1K 5% 1/4W	R383	1-216-049-91	RES, CHIP	1K 5% 1/10W
R079	1-216-033-00	RES, CHIP	220 5% 1/10W	R384	1-216-109-00	RES, CHIP	330K 5% 1/10W
R080	1-216-065-91	RES, CHIP	4.7K 5% 1/10W	R385	1-249-422-11	CARBON	2.7K 5% 1/4W
R081	1-216-025-91	RES, CHIP	100 5% 1/10W	R386		VARIANT (SEE VARIANT PARTS LIST)	
R082	1-216-025-91	RES, CHIP	100 5% 1/10W	R387	1-216-049-91	RES, CHIP	1K 5% 1/10W
R083	1-249-429-11	CARBON	10K 5% 1/4W	R388	1-216-089-91	RES, CHIP	47K 5% 1/10W
R084	1-216-049-91	RES, CHIP	1K 5% 1/10W	R389	1-216-067-00	RES, CHIP	5.6K 5% 1/10W
R085		VARIANT (SEE VARIANT PARTS LIST)		R390	1-216-035-00	RES, CHIP	270 5% 1/10W
R087	1-247-815-91	CARBON	220 5% 1/4W	R391	1-208-810-11	RES, CHIP	15K 0.50% 1/10W
R092	1-249-429-11	CARBON	10K 5% 1/4W	R392	1-216-025-91	RES, CHIP	100 5% 1/10W
R093	1-249-387-11	CARBON	3.3 5% 1/4W	R393	1-216-043-91	RES, CHIP	560 5% 1/10W
R094	1-249-381-11	CARBON	1 5% 1/4W	R394	1-216-059-00	RES, CHIP	2.7K 5% 1/10W
R096	1-216-347-11	METAL	0.68 5% 1W	R395	1-216-061-00	RES, CHIP	3.3K 5% 1/10W
R097	1-216-065-91	RES, CHIP	4.7K 5% 1/10W	R396	1-249-417-11	CARBON	1K 5% 1/4W
R098	1-249-379-11	CARBON	0.68 5% 1/4W	R397	1-249-425-11	CARBON	4.7K 5% 1/4W
R099	1-216-065-91	RES, CHIP	4.7K 5% 1/10W	R461	1-216-065-91	RES, CHIP	4.7K 5% 1/10W
R131	1-216-035-00	RES, CHIP	270 5% 1/10W	R462	1-216-089-91	RES, CHIP	47K 5% 1/10W
R132	1-216-115-00	RES, CHIP	560K 5% 1/10W	R463	1-249-435-11	CARBON	33K 5% 1/4W

**Note:**

The components identified with shading and a critical symbol (  $\Delta$  ) are critical for safety. Replace only with part number specified.

**Note:**

The components identified by  $\boxtimes$  in this manual have been carefully factory-selected for each set in order to satisfy regulations regarding X-ray radiation. Should replacement be required, replace only with the value originally used.

**S SERIES  
COMMON PARTS LISTING**



REF.NO.	PART NO.	DESCRIPTION	REMARK	REF.NO.	PART NO.	DESCRIPTION	REMARK
R464	1-216-097-91	RES, CHIP	100K 5% 1/10W	R538	1-247-887-00	CARBON 220K 5% 1/4W	
R465	1-249-413-11	CARBON	470 5% 1/4W	R541		VARIANT (SEE VARIANT PARTS LIST)	
R466	1-249-388-11	CARBON	3.9 5% 1/4W	R542		VARIANT (SEE VARIANT PARTS LIST)	
R467	1-216-069-00	RES, CHIP	6.8K 5% 1/10W	R543	1-249-377-11	CARBON 0.47 5% 1/4W	
R469		VARIANT (SEE VARIANT PARTS LIST)		R546		VARIANT (SEE VARIANT PARTS LIST)	
R470	1-216-077-00	RES, CHIP	15K 5% 1/10W	R547	1-215-457-00	METAL 33K 1% 1/4W	
R471	1-216-069-00	RES, CHIP	6.8K 5% 1/10W	R549	1-215-437-00	METAL 4.7K 1% 1/4W	
R472		VARIANT (SEE VARIANT PARTS LIST)		R550 $\Delta$	1-249-377-11	CARBON 0.47 5% 1/4W	
R473	1-249-398-11	CARBON	27 5% 1/4W	R551 $\Delta$	1-215-873-00	METAL 4.7K 5% 1W	
R474	1-216-077-00	RES, CHIP	15K 5% 1/10W	R552	1-216-069-00	RES, CHIP 6.8K 5% 1/10W	
R475	1-249-430-11	CARBON	12K 5% 1/4W	R553 $\Delta$	1-249-377-11	CARBON 0.47 5% 1/4W	
R476	1-249-430-11	CARBON	12K 5% 1/4W	R554	1-216-057-00	RES, CHIP 2.2K 5% 1/10W	
R477	1-249-398-11	CARBON	27 5% 1/4W	R561	1-216-073-00	RES, CHIP 10K 5% 1/10W	
R478	1-249-418-11	CARBON	1.2K 5% 1/4W	R563 $\Delta$	1-216-351-00	METAL 1.5 5% 1W	
R479	1-249-418-11	CARBON	1.2K 5% 1/4W	R564	1-249-393-11	CARBON 10 5% 1/4W	
R480	1-249-385-11	CARBON	2.2 5% 1/4W	R565 $\Delta$	1-215-890-11	METAL 470 5% 2W	
R481	1-249-385-11	CARBON	2.2 5% 1/4W	R566	1-216-073-00	RES, CHIP 10K 5% 1/10W	
R482	1-249-421-11	CARBON	2.2K 5% 1/4W	R567 $\Delta$	1-249-385-11	CARBON 2.2 5% 1/4W	
R483	1-249-421-11	CARBON	2.2K 5% 1/4W	R568	1-216-073-00	RES, CHIP 10K 5% 1/10W	
R501	1-216-037-00	RES, CHIP	330 5% 1/10W	R569	1-216-073-00	RES, CHIP 10K 5% 1/10W	
R502	1-216-061-00	RES, CHIP	3.3K 5% 1/10W	R570	1-216-097-91	RES, CHIP 100K 5% 1/10W	
R503	1-249-426-11	CARBON	5.6K 5% 1/4W	R571	1-216-081-00	RES, CHIP 22K 5% 1/10W	
R504 $\Delta$	1-215-915-11	METAL	470 5% 3W	R572	1-216-081-00	RES, CHIP 22K 5% 1/10W	
R505	1-249-431-11	CARBON	15K 5% 1/4W	R573	1-216-097-91	RES, CHIP 100K 5% 1/10W	
R506	1-215-861-00	METAL	47 5% 1W	R574 $\Delta$	1-216-365-00	METAL 0.47 5% 2W	
R507	1-249-401-11	CARBON	47 5% 1/4W	R575	1-216-113-00	RES, CHIP 470K 5% 1/10W	
R508	1-249-427-11	CARBON	6.8K 5% 1/4W	R576	1-216-073-00	RES, CHIP 10K 5% 1/10W	
R509	1-247-750-11	CARBON	680 5% 1/2W	R577	1-216-097-91	RES, CHIP 100K 5% 1/10W	
R510 $\Delta$	1-215-860-11	METAL	33 5% 1W	R578	1-208-784-11	RES, CHIP 1.2K 0.50% 1/10W	
R511		VARIANT (SEE VARIANT PARTS LIST)		R579	1-208-842-11	RES, CHIP 330K 0.50% 1/10W	
R512 $\Delta$	1-215-886-11	METAL	100 5% 2W	R580	1-249-441-11	CARBON 100K 5% 1/4W	
R515		VARIANT (SEE VARIANT PARTS LIST)		R1009		VARIANT (SEE VARIANT PARTS LIST)	
R516	1-216-057-00	RES, CHIP	2.2K 5% 1/10W	R1010		VARIANT (SEE VARIANT PARTS LIST)	
R517	1-249-415-11	CARBON	680 5% 1/4W	R1101	1-216-049-91	RES, CHIP 1K 5% 1/10W	
R518	1-216-073-00	RES, CHIP	10K 5% 1/10W	R1102	1-215-900-11	METAL 22K 5% 2W	
R519	1-249-411-11	CARBON	330 5% 1/4W	R1103	1-216-051-00	RES, CHIP 1.2K 5% 1/10W	
R521 $\Delta$	1-215-915-11	METAL	470 5% 3W	R1104	1-216-083-00	RES, CHIP 27K 5% 1/10W	
R523		VARIANT (SEE VARIANT PARTS LIST)		R1105	1-216-689-11	RES, CHIP 39K 5% 1/10W	
R524	1-249-429-11	CARBON	10K 5% 1/4W	R1106	1-216-049-91	RES, CHIP 1K 5% 1/10W	
R525	1-216-071-00	RES, CHIP	8.2K 5% 1/10W	R1107	1-216-065-91	RES, CHIP 4.7K 5% 1/10W	
R528	1-216-081-00	RES, CHIP	22K 5% 1/10W	R1108	1-216-073-00	RES, CHIP 10K 5% 1/10W	
R529		VARIANT (SEE VARIANT PARTS LIST)		R1109	1-216-019-00	RES, CHIP 56 5% 1/10W	
$\boxtimes$ R530 $\Delta$	1-208-808-11	RES, CHIP	12K 0.50% 1/10W	R1110	1-216-019-00	RES, CHIP 56 5% 1/10W	
R531		VARIANT (SEE VARIANT PARTS LIST)		R1111	1-216-019-00	RES, CHIP 56 5% 1/10W	
R532	1-208-760-11	RES, CHIP	120 0.50% 1/10W	R1115	1-216-045-00	RES, CHIP 680 5% 1/10W	
R533		VARIANT (SEE VARIANT PARTS LIST)		R1117	1-249-425-11	CARBON 4.7K 5% 1/4W	
R535		VARIANT (SEE VARIANT PARTS LIST)		R1118	1-249-425-11	CARBON 4.7K 5% 1/4W	
R536 $\Delta$	1-249-377-11	CARBON	0.47 5% 1/4W	R1120	1-216-057-00	RES, CHIP 2.2K 5% 1/10W	
R537 $\Delta$	1-249-377-11	CARBON	0.47 5% 1/4W	R1121	1-216-035-00	RES, CHIP 270 5% 1/10W	





<u>REF.NO.</u>	<u>PART NO.</u>	<u>DESCRIPTION</u>	<u>REMARK</u>	<u>REF.NO.</u>	<u>PART NO.</u>	<u>DESCRIPTION</u>	<u>REMARK</u>
<u>TRANSFORMER</u>							
T501	1-437-210-11	TRANSFORMER, HORIZONTAL DRIVE					
T502		VARIANT (SEE VARIANT PARTS LIST)					
T503		VARIANT (SEE VARIANT PARTS LIST)					
T504		VARIANT (SEE VARIANT PARTS LIST)					
<u>TUNER</u>							
TU102		VARIANT (SEE VARIANT PARTS LIST)					
<u>CRYSTAL</u>							
X001	1-578-774-11	VIBRATOR, CRYSTAL					
X353	1-567-505-11	OSCILLATOR, CRYSTAL					
X354	1-577-611-11	OSCILLATOR, CERAMIC					





SECTION 8

ELECTRICAL PARTS LIST (FOR V SERIES)

Note:

The components identified by shading and mark **Δ** are critical for safety. Replace only with part number specified.

Note:

Les composants identifiés par un trame et une marque **Δ** sont critiques pour la sécurité. Ne les remplacer que par une pièce portant le numéro spécifié.

The components identified by **Δ** in this manual have been carefully factory-selected for each set in order to satisfy regulations regarding X-ray radiation. Should replacement be required, replace only with the value originally used.

• Items marked " \* " are not stocked since they are seldom required for routine service. Some delay should be anticipated when ordering these items.

• All variable and adjustable resistors have characteristic curve B, unless otherwise noted.

RESISTORS

- All resistors are in ohms
- F : nonflammable

CAPACITORS

- MF = μF

INDUCTORS

- UH = μH, MMH = mH

When indicating parts by reference number, please include the board name.

REF.NO.	PART NO.	DESCRIPTION	REMARK	REF.NO.	PART NO.	DESCRIPTION	REMARK
<b>A</b>							
* A-1298-611-A		A BOARD, COMPLETE (KV-32V40 only)		C070	1-126-967-11	ELECT 47MF	20% 50V
* A-1298-613-A		A BOARD, COMPLETE (KV-34VL65C/34VL65/32V65CND only)		C071	1-164-096-11	CERAMIC CHIP 0.01MF	50V
* A-1298-647-A		A BOARD, COMPLETE (KV-35V65CND/37VL65/37VL65C only)		C072	1-164-161-11	CERAMIC CHIP 0.0022MF	10% 50V
				C075	1-107-823-11	CERAMIC CHIP 0.47MF	10% 16V
				C353	1-163-231-11	CERAMIC CHIP 15PF	5% 50V
				C354	1-163-133-00	CERAMIC CHIP 470PF	5% 50V
				C355	1-126-959-11	ELECT 0.47MF	20% 50V
				C356	1-126-963-11	ELECT 4.7MF	20% 50V
				C357	1-126-959-11	ELECT 0.47MF	20% 50V
				C358	1-163-021-91	CERAMIC CHIP 0.01MF	10% 50V
4-382-854-11		SCREW (M3X10), P, SW (+)		C359	1-126-933-11	ELECT 100MF	20% 16V
				C363	1-163-021-91	CERAMIC CHIP 0.01MF	10% 50V
				C364	1-163-021-91	CERAMIC CHIP 0.01MF	10% 50V
				C365	1-163-021-91	CERAMIC CHIP 0.01MF	10% 50V
				C366	1-130-495-00	FILM 0.1MF	5% 50V
				C367	1-130-495-00	FILM 0.1MF	5% 50V
				C368	1-130-495-00	FILM 0.1MF	5% 50V
				C369	1-163-243-11	CERAMIC CHIP 47PF	5% 50V
				C370	1-163-037-11	CERAMIC CHIP 0.022MF	10% 50V
				C371	1-163-141-00	CERAMIC CHIP 0.001MF	5% 50V
				C372	1-126-959-11	ELECT 0.47MF	20% 50V
				C373	1-126-960-11	ELECT 1MF	20% 50V
				C376	1-126-964-11	ELECT 10MF	20% 50V
				C377	1-130-495-00	FILM 0.1MF	5% 50V
				C378	1-130-495-00	FILM 0.1MF	5% 50V
				C379	1-163-021-91	CERAMIC CHIP 0.01MF	10% 50V
				C380	1-126-935-11	ELECT 470MF	20% 16V
				C381	1-163-003-11	CERAMIC CHIP 330PF	10% 50V
				C383	1-130-495-00	FILM 0.1MF	5% 50V
				C385	1-164-182-11	CERAMIC CHIP 0.0033MF	10% 50V
				C386	1-163-021-91	CERAMIC CHIP 0.01MF	10% 50V
				C387	1-126-961-11	ELECT 2.2MF	20% 50V
				C388	1-126-959-11	ELECT 0.47MF	20% 50V
				C390	1-126-960-11	ELECT 1MF	20% 50V
				C391	1-163-017-00	CERAMIC CHIP 0.0047MF	10% 50V
				C392	1-163-251-11	CERAMIC CHIP 100PF	5% 50V
				C461		VARIANT(SEE VARIANT PARTS LIST)	
				C462		VARIANT(SEE VARIANT PARTS LIST)	
C001	1-163-259-91	CERAMIC CHIP 220PF	5% 50V				
C003	1-104-760-11	CERAMIC CHIP 0.047MF	10% 50V				
C005	1-126-960-11	ELECT 1MF	20% 50V				
C009	1-126-967-11	ELECT 47MF	20% 50V				
C010	1-163-033-91	CERAMIC CHIP 0.022MF	50V				
C012	1-216-033-00	RES, CHIP 220	5% 1/10W				
C013	1-216-121-91	RES, CHIP 1M	5% 1/10W				
C014	1-164-161-11	CERAMIC CHIP 0.0022MF	10% 50V				
C023	1-163-259-91	CERAMIC CHIP 220PF	5% 50V				
C028	1-163-227-11	CERAMIC CHIP 10PF	0.5PF 50V				
C029	1-163-227-11	CERAMIC CHIP 10PF	0.5PF 50V				
C030	1-163-009-11	CERAMIC CHIP 0.001MF	10% 50V				
C035	1-163-237-11	CERAMIC CHIP 27PF	5% 50V				
C036	1-163-231-11	CERAMIC CHIP 15PF	5% 50V				
C037	1-163-243-11	CERAMIC CHIP 47PF	5% 50V				
C038	1-163-243-11	CERAMIC CHIP 47PF	5% 50V				
C039	1-163-243-11	CERAMIC CHIP 47PF	5% 50V				
C040	1-163-243-11	CERAMIC CHIP 47PF	5% 50V				
C051	1-164-004-11	CERAMIC CHIP 0.1MF	10% 25V				
C053	1-163-021-91	CERAMIC CHIP 0.01MF	10% 50V				
C056	1-163-243-11	CERAMIC CHIP 47PF	5% 50V				
C061	1-163-033-91	CERAMIC CHIP 0.022MF	50V				
C062	1-163-033-91	CERAMIC CHIP 0.022MF	50V				
C063	1-126-935-11	ELECT 470MF	20% 16V				
C069		VARIANT(SEE VARIANT PARTS LIST)					



# V SERIES COMMON PARTS LISTING

**Note:**

The components identified with shading and a critical symbol (  $\Delta$  ) are critical for safety. Replace only with part number specified.

**Note:**

Les composants identifiés par un trame et une marque  $\Delta$  sont critiques pour la sécurité. Ne les remplacer que par une pièce portant le numéro spécifié.

REF.NO.	PART NO.	DESCRIPTION	REMARK	REF.NO.	PART NO.	DESCRIPTION	REMARK
C463		VARIANT(SEE VARIANT PARTS LIST)		C542		VARIANT(SEE VARIANT PARTS LIST)	
C464		VARIANT(SEE VARIANT PARTS LIST)		C545	1-106-387-00	MYLAR 0.068MF 10%	200V
C466		VARIANT(SEE VARIANT PARTS LIST)		C546	1-106-343-00	MYLAR 0.001MF 10%	100V
C467		VARIANT(SEE VARIANT PARTS LIST)		C547	1-106-343-00	MYLAR 0.001MF 10%	100V
C468		VARIANT(SEE VARIANT PARTS LIST)		C551	1-163-037-11	CERAMIC CHIP 0.022MF 10%	50V
C470		VARIANT(SEE VARIANT PARTS LIST)		C561	1-126-967-11	ELECT 47MF 20%	50V
C471		VARIANT(SEE VARIANT PARTS LIST)		C563	1-126-934-11	ELECT 220MF 20%	10V
C472		VARIANT(SEE VARIANT PARTS LIST)		C564	1-126-960-11	ELECT 1MF 20%	50V
C473		VARIANT(SEE VARIANT PARTS LIST)		C565	1-126-969-11	ELECT 220MF 20%	50V
C474		VARIANT(SEE VARIANT PARTS LIST)		C566	1-126-964-11	ELECT 10MF 20%	50V
C475		VARIANT(SEE VARIANT PARTS LIST)		C568	1-136-169-00	FILM 0.22MF 5%	50V
C476		VARIANT(SEE VARIANT PARTS LIST)		C571	1-104-664-11	ELECT 47MF 20%	25V
C477		VARIANT(SEE VARIANT PARTS LIST)		C1002	1-126-964-11	ELECT 10MF 20%	50V
C478		VARIANT(SEE VARIANT PARTS LIST)		C1101	1-126-768-11	ELECT 2200MF 20%	16V
C479		VARIANT(SEE VARIANT PARTS LIST)		C1103	1-126-965-11	ELECT 22MF 20%	50V
C501	1-163-259-91	CERAMIC CHIP 220PF	5% 50V	C1104	1-104-664-11	ELECT 47MF 20%	16V
C502	1-126-959-11	ELECT 0.47MF	20% 50V	C1105	1-104-664-11	ELECT 47MF 20%	16V
C503	1-163-003-11	CERAMIC CHIP 330PF	10% 50V	C1106	1-126-964-11	ELECT 10MF 20%	50V
C504	1-102-212-00	CERAMIC CHIP 820PF	10% 500V	C1107	1-163-003-11	CERAMIC CHIP 330PF	10% 50V
C505	1-102-002-00	CERAMIC CHIP 680PF	10% 500V	C1108	1-126-960-11	ELECT 1MF 20%	50V
C506	1-106-383-00	MYLAR 0.047MF	10% 200V	C1109	1-126-964-11	ELECT 10MF 20%	50V
C507 $\Delta$	1-162-116-00	CERAMIC CHIP2 680PF	10% 2KV	C1110	1-163-227-11	CERAMIC CHIP 10PF	0.5PF 50V
C508	1-102-244-00	CERAMIC CHIP 220PF	10% 500V	C1111	1-163-227-11	CERAMIC CHIP 10PF	0.5PF 50V
C509	1-162-116-00	CERAMIC CHIP 680PF	10% 2KV	C1112	1-163-227-11	CERAMIC CHIP 10PF	0.5PF 50V
C510	1-137-150-11	MYLAR 0.01MF	10% 100V	C1351	1-163-251-11	CERAMIC CHIP 100PF	5% 50V
C511 $\Delta$	1-115-460-11	FILM 0.022MF	3% 1.2KV	C1352	1-126-933-11	ELECT 100MF 20%	16V
C513		VARIANT(SEE VARIANT PARTS LIST)		C1353	1-163-037-11	CERAMIC CHIP 0.022MF	10% 50V
C514		VARIANT(SEE VARIANT PARTS LIST)		C1354	1-216-295-91	SHORT	
C515	1-106-343-00	MYLAR 0.001MF	10% 100V	C1501		VARIANT(SEE VARIANT PARTS LIST)	
C516	1-115-461-11	FILM 2MF	5% 200V				
C517	1-107-649-11	ELECT 2.2MF	20% 250V	<b>CONNECTOR</b>			
C518	1-106-395-00	MYLAR 0.15MF	10% 200V	CN270	1-573-298-11	CONNECTOR, BOARD TO BOARD	20P
C519	1-162-815-11	CERAMIC CHIP 47PF	5% 500V	CN271	1-573-978-21	CONNECTOR, BOARD TO BOARD	11P
C520		VARIANT(SEE VARIANT PARTS LIST)		CN351 *	1-564-509-11	PLUG, CONNECTOR	6P
C521		VARIANT(SEE VARIANT PARTS LIST)		CN461 *		VARIANT(SEE VARIANT PARTS LIST)	
C522	1-126-960-11	ELECT 1MF	20% 50V	CN501 *	1-580-798-11	CONNECTOR PIN (DY)	6P
C525	1-102-244-00	CERAMIC CHIP 220PF	10% 500V	CN503 *	1-564-508-11	PLUG, CONNECTOR	5P
C526	1-107-662-11	ELECT 22MF	20% 250V	CN1001*	1-564-512-11	PLUG, CONNECTOR	9P
C527	1-162-116-00	CERAMIC CHIP 680PF	10% 2KV	CN1101		VARIANT(SEE VARIANT PARTS LIST)	
C528	1-164-161-11	CERAMIC CHIP 0.0022MF	10% 50V	CN1231	1-564-511-11	PLUG, CONNECTOR	8P
C529	1-128-551-11	ELECT 22MF	20% 25V	CN1641*	1-564-515-11	PLUG, CONNECTOR	12P
C530	1-137-366-11	FILM 0.0022MF	5% 50V	CN1941*	1-564-508-11	PLUG, CONNECTOR	5P
C531	1-126-965-11	ELECT 22MF	20% 50V	CN3001		VARIANT(SEE VARIANT PARTS LIST)	
C532	1-126-965-11	ELECT 22MF	20% 50V				
C537		VARIANT(SEE VARIANT PARTS LIST)		<b>DIODE</b>			
C539		VARIANT(SEE VARIANT PARTS LIST)		D001	8-719-991-33	DIODE 1SS133T-77	
C540	1-123-024-21	ELECT 33MF	160V	D002	8-719-109-89	DIODE RD5.6ESB2	
C541	1-128-560-11	ELECT 22MF	20% 100V	D003	8-719-991-33	DIODE 1SS133T-77	

**Note:**

The components identified with shading and a critical symbol (  $\Delta$  ) are critical for safety. Replace only with part number specified.

**Note:**

Les composants identifiés par un trame et une marque  $\Delta$  sont critiques pour la sécurité. Ne les remplacer que par une pièce portant le numéro spécifié.

# V SERIES

## COMMON PARTS LISTING



<u>REF.NO.</u>	<u>PART NO.</u>	<u>DESCRIPTION</u>	<u>REMARK</u>	<u>REF.NO.</u>	<u>PART NO.</u>	<u>DESCRIPTION</u>	<u>REMARK</u>
D004	8-719-110-17	DIODE RD10ESB2					
D011	8-719-983-20	DIODE MTZJ-T-77-4.3C					
D013	8-719-991-33	DIODE 1SS133T-77					
D014	8-719-991-33	DIODE 1SS133T-77					
D015	8-719-991-33	DIODE 1SS133T-77					
D353	8-719-991-33	DIODE 1SS133T-77					
D356	8-719-991-33	DIODE 1SS133T-77					
D360	8-719-110-17	DIODE RD10ESB2					
D362	8-719-991-33	DIODE 1SS133T-77					
D368		VARIANT(SEE VARIANT PARTS LIST)					
D462	8-719-991-33	DIODE 1SS133T-77					
D501	8-719-109-89	DIODE RD5.6ESB2					
D502	8-719-945-80	DIODE ERC06-15S					
D503	8-719-945-80	DIODE ERC06-15S					
D504	8-719-900-26	DIODE ERD29-08J					
D505	8-719-908-03	DIODE GP08D					
D506	8-719-908-03	DIODE GP08D					
D507	8-719-991-33	DIODE 1SS133T-77					
D515	8-719-302-43	DIODE EL1Z					
D516	8-719-991-33	DIODE 1SS133T-77					
D518	8-719-991-33	DIODE 1SS133T-77					
D519 $\Delta$	8-719-302-43	DIODE EL1Z					
D520	8-719-991-33	DIODE 1SS133T-77					
D521	8-719-921-63	DIODE MTZJ-7.5B					
D530	8-719-979-85	DIODE EGP20G					
D531	8-719-979-85	DIODE EGP20G					
D534	8-719-302-43	DIODE EL1Z					
D561	8-719-908-03	DIODE GP08D					
D562	8-719-991-33	DIODE 1SS133T-77					
D1102	8-719-982-24	DIODE MTZJ-33A					
D1103	8-719-109-89	DIODE RD5.6ESB2					
D1263	8-719-110-17	DIODE RD10ESB2					
D1264	8-719-110-17	DIODE RD10ESB2					
<b><u>FERRITE BEAD</u></b>							
FB501	1-410-396-41	FERRITE 0.45UH					
FB502	1-410-397-21	FERRITE 1.1UH					
FB503	1-410-397-21	FERRITE 1.1UH					
<b><u>IC</u></b>							
IC001	8-752-897-18	IC CXP85840A-011S					
IC002	8-759-527-74	IC M24C02-MN6T					
IC351	8-752-082-73	IC CXA2095S					
IC461		VARIANT(SEE VARIANT PARTS LIST)					
IC501	8-759-700-07	IC NJM2903M					
IC561	8-759-980-58	IC TDA8172					
				<b><u>CHIP CONDUCTOR</u></b>			
JR001		VARIANT(SEE VARIANT PARTS LIST)					
JR200	1-216-295-91	SHORT					
JR201		VARIANT(SEE VARIANT PARTS LIST)					
JR202		VARIANT(SEE VARIANT PARTS LIST)					
JR351		VARIANT(SEE VARIANT PARTS LIST)					
JR352		VARIANT(SEE VARIANT PARTS LIST)					
JR463		VARIANT(SEE VARIANT PARTS LIST)					
JR501	1-216-295-91	SHORT					
JR1417		VARIANT(SEE VARIANT PARTS LIST)					
JR1454	1-216-295-91	SHORT					
JR1455	1-216-295-91	SHORT					
JR1801	1-216-295-91	SHORT					
JR1802	1-216-295-91	SHORT					
JR1803	1-216-295-91	SHORT					
JR1804	1-216-295-91	SHORT					
JR4120	1-216-295-91	SHORT					
				<b><u>COIL</u></b>			
L001	1-408-421-00	INDUCTOR 100UH					
L002	1-408-421-00	INDUCTOR 100UH					
L003	1-410-470-11	INDUCTOR 10UH					
L004	1-410-470-11	INDUCTOR 10UH					
L352	1-412-537-31	INDUCTOR 100UH					
L461		VARIANT(SEE VARIANT PARTS LIST)					
L501 $\Delta$	1-411-976-11	COIL, HORIZONTAL LINEARITY					
L502	1-412-552-11	INDUCTOR 2.2MMH					
L503	1-406-677-11	INDUCTOR					
L511	1-406-607-41	INDUCTOR					
L517	1-412-552-11	INDUCTOR 2.2MMH					
L541		VARIANT(SEE VARIANT PARTS LIST)					
L1101	1-408-421-00	INDUCTOR 100UH					
L1102	1-410-470-11	INDUCTOR 10UH					
				<b><u>IC LINK</u></b>			
PS461		VARIANT(SEE VARIANT PARTS LIST)					
				<b><u>TRANSISTOR</u></b>			
Q001	8-729-216-22	TRANSISTOR 2SA1162-G					
Q002	8-729-422-27	TRANSISTOR 2SD601A-Q					
Q003	8-729-422-27	TRANSISTOR 2SD601A-Q					
Q004	8-729-216-22	TRANSISTOR 2SA1162-G					
Q010	8-729-422-27	TRANSISTOR 2SD601A-Q					
Q011	8-729-422-27	TRANSISTOR 2SD601A-Q					
Q012	8-729-422-27	TRANSISTOR 2SD601A-Q					
Q013	8-729-422-27	TRANSISTOR 2SD601A-Q					



# V SERIES COMMON PARTS LISTING

**Note:**

The components identified with shading and a critical symbol (  $\Delta$  ) are critical for safety. Replace only with part number specified.

**Note:**

Les composants identifiés par un trame et une marque  $\Delta$  sont critiques pour la sécurité. Ne les remplacer que par une pièce portant le numéro spécifié.

REF.NO.	PART NO.	DESCRIPTION	REMARK	REF.NO.	PART NO.	DESCRIPTION	REMARK
Q014	8-729-422-27	TRANSISTOR 2SD601A-Q		R027	1-249-389-11	CARBON 4.7 5%	1/4W
Q015	8-729-422-27	TRANSISTOR 2SD601A-Q		R028	1-249-417-11	CARBON 1K 5%	1/4W
Q016	8-729-422-27	TRANSISTOR 2SD601A-Q		R029	1-216-025-91	RES, CHIP 100 5%	1/10W
Q017	8-729-216-22	TRANSISTOR 2SA1162-G		R030	1-249-425-11	CARBON 4.7K 5%	1/4W
Q301	8-729-216-22	TRANSISTOR 2SA1162-G		R031		VARIANT(SEE VARIANT PARTS LIST)	
Q302	8-729-216-22	TRANSISTOR 2SA1162-G		R032	1-247-815-91	CARBON 220 5%	1/4W
Q303	8-729-216-22	TRANSISTOR 2SA1162-G		R036	1-216-049-91	RES, CHIP 1K 5%	1/10W
Q354	8-729-422-27	TRANSISTOR 2SD601A-Q		R037	1-216-049-91	RES, CHIP 1K 5%	1/10W
Q356	8-729-216-22	TRANSISTOR 2SA1162-G		R038	1-216-049-91	RES, CHIP 1K 5%	1/10W
Q357	8-729-422-27	TRANSISTOR 2SD601A-Q		R039	1-247-807-31	CARBON 100 5%	1/4W
Q358	8-729-422-27	TRANSISTOR 2SD601A-Q		R040		VARIANT(SEE VARIANT PARTS LIST)	
Q461		VARIANT(SEE VARIANT PARTS LIST)		R041		VARIANT(SEE VARIANT PARTS LIST)	
Q462		VARIANT(SEE VARIANT PARTS LIST)		R042		VARIANT(SEE VARIANT PARTS LIST)	
Q501	8-729-140-50	TRANSISTOR 2SC3209LK		R044	1-216-033-00	RES, CHIP 220 5%	1/10W
Q502 $\Delta$	8-729-035-75	TRANSISTOR 2SC5148(LBSONY)		R045		VARIANT(SEE VARIANT PARTS LIST)	
Q511 $\Delta$	8-729-422-27	TRANSISTOR 2SD601A-Q		R046	1-247-815-91	CARBON 220 5%	1/4W
Q512 $\Delta$	8-729-809-29	TRANSISTOR 2SC4159-E		R047	1-249-417-11	CARBON 1K 5%	1/4W
Q551	8-729-216-22	TRANSISTOR 2SA1162-G		R048	1-249-417-11	CARBON 1K 5%	1/4W
Q552	8-729-422-27	TRANSISTOR 2SD601A-Q		R049	1-249-417-11	CARBON 1K 5%	1/4W
Q561	8-729-422-27	TRANSISTOR 2SD601A-Q		R052	1-216-061-00	RES, CHIP 3.3K 5%	1/10W
Q562	8-729-422-27	TRANSISTOR 2SD601A-Q		R053	1-216-061-00	RES, CHIP 3.3K 5%	1/10W
Q563	8-729-105-08	TRANSISTOR 2SA1330-06		R054	1-216-061-00	RES, CHIP 3.3K 5%	1/10W
Q1102	8-729-119-78	TRANSISTOR 2SC2785-HFE		R055	1-216-097-91	RES, CHIP 100K 5%	1/10W
Q1103	8-729-422-27	TRANSISTOR 2SD601A-QRS-TX		R056	1-216-033-00	RES, CHIP 220 5%	1/10W
<b>RESISTOR</b>				R057	1-249-417-11	CARBON 1K 5%	1/4W
R001	1-216-045-00	RES, CHIP 680 5%	1/10W	R058	1-216-033-00	RES, CHIP 220 5%	1/10W
R002	1-247-815-91	CARBON 220 5%	1/4W	R064	1-216-033-00	RES, CHIP 220 5%	1/10W
R003	1-216-097-91	RES, CHIP 100K 5%	1/10W	R065	1-216-033-00	RES, CHIP 220 5%	1/10W
R004	1-216-121-91	RES, CHIP 1M 5%	1/10W	R066	1-216-033-00	RES, CHIP 220 5%	1/10W
R006		VARIANT(SEE VARIANT PARTS LIST)		R067	1-216-041-00	RES, CHIP 470 5%	1/10W
R007	1-216-073-00	RES, CHIP 10K 5%	1/10W	R068	1-247-815-91	CARBON 220 5%	1/4W
R008		VARIANT(SEE VARIANT PARTS LIST)		R069		VARIANT(SEE VARIANT PARTS LIST)	
R009	1-216-073-00	RES, CHIP 10K 5%	1/10W	R070	1-249-421-11	CARBON 2.2K 5%	1/4W
R010	1-216-037-00	RES, CHIP 330 5%	1/10W	R071	1-247-815-91	CARBON 220 5%	1/4W
R011	1-216-065-91	RES, CHIP 4.7K 5%	1/10W	R072	1-216-033-00	RES, CHIP 220 5%	1/10W
R012		VARIANT(SEE VARIANT PARTS LIST)		R073	1-216-033-00	RES, CHIP 220 5%	1/10W
R013	1-216-065-91	RES, CHIP 4.7K 5%	1/10W	R074	1-216-033-00	RES, CHIP 220 5%	1/10W
R014	1-216-065-91	RES, CHIP 4.7K 5%	1/10W	R075	1-216-033-00	RES, CHIP 220 5%	1/10W
R015	1-216-073-00	RES, CHIP 10K 5%	1/10W	R076	1-216-033-00	RES, CHIP 220 5%	1/10W
R016	1-216-073-00	RES, CHIP 10K 5%	1/10W	R077	1-216-033-00	RES, CHIP 220 5%	1/10W
R019	1-249-425-11	CARBON 4.7K 5%	1/4W	R078	1-249-417-11	CARBON 1K 5%	1/4W
R020	1-216-065-91	RES, CHIP 4.7K 5%	1/10W	R079	1-216-033-00	RES, CHIP 220 5%	1/10W
R021	1-216-033-00	RES, CHIP 220 5%	1/10W	R080	1-216-065-91	RES, CHIP 4.7K 5%	1/10W
R022	1-249-429-11	CARBON 10K 5%	1/4W	R081	1-216-025-91	RES, CHIP 100 5%	1/10W
R023	1-216-089-91	RES, CHIP 47K 5%	1/10W	R082	1-216-025-91	RES, CHIP 100 5%	1/10W
R024	1-249-381-11	CARBON 1 5%	1/4W	R083	1-249-429-11	CARBON 10K 5%	1/4W
R025	1-163-010-11	CERAMIC CHIP 0.0012MF 10% 50V		R084	1-216-049-91	RES, CHIP 1K 5%	1/10W
R026	1-163-038-91	CERAMIC CHIP 0.1MF 25V		R085		VARIANT(SEE VARIANT PARTS LIST)	
				R087	1-247-815-91	CARBON 220 5%	1/4W

**Note:**

The components identified with shading and a critical symbol (  $\Delta$  ) are critical for safety. Replace only with part number specified.

**Note:**

Les composants identifiés par un triangle et une marque  $\Delta$  sont critiques pour la sécurité. Ne les remplacer que par une pièce portant le numéro spécifié.

**V SERIES  
COMMON PARTS LISTING**



REF.NO.	PART NO.	DESCRIPTION	REMARK	REF.NO.	PART NO.	DESCRIPTION	REMARK
R088		VARIANT(SEE VARIANT PARTS LIST)		R389	1-216-067-00	RES, CHIP 5.6K	5% 1/10W
R089	1-216-033-00	RES, CHIP 220	5% 1/10W	R390	1-216-035-00	RES, CHIP 270	5% 1/10W
R090		VARIANT(SEE VARIANT PARTS LIST)		R391	1-208-810-11	RES, CHIP 15K	0.50% 1/10W
R092	1-249-429-11	CARBON 10K	5% 1/4W	R392	1-216-025-91	RES, CHIP 100	5% 1/10W
R093	1-249-387-11	CARBON 3.3	5% 1/4W				
R094	1-249-381-11	CARBON 1	5% 1/4W	R393	1-216-043-91	RES, CHIP 560	5% 1/10W
R096	1-216-347-11	METAL OXIDE 0.68	5% 1W	R394	1-216-059-00	RES, CHIP 2.7K	5% 1/10W
R097	1-216-065-91	RES, CHIP 4.7K	5% 1/10W	R395	1-216-061-00	RES, CHIP 3.3K	5% 1/10W
R099	1-216-065-91	RES, CHIP 4.7K	5% 1/10W	R396	1-249-417-11	CARBON 1K	5% 1/4W
R101	1-249-381-11	CARBON 1	5% 1/4W	R397	1-249-425-11	CARBON 4.7K	5% 1/4W
R131	1-216-035-00	RES, CHIP 270	5% 1/10W	R461		VARIANT(SEE VARIANT PARTS LIST)	
R132	1-216-115-00	RES, CHIP 560K	5% 1/10W	R462		VARIANT(SEE VARIANT PARTS LIST)	
R133	1-216-039-00	RES, CHIP 390	5% 1/10W	R463		VARIANT(SEE VARIANT PARTS LIST)	
R135	1-216-073-00	RES, CHIP 10K	5% 1/10W	R464		VARIANT(SEE VARIANT PARTS LIST)	
R136	1-216-073-00	RES, CHIP 10K	5% 1/10W	R465		VARIANT(SEE VARIANT PARTS LIST)	
R137	1-216-049-91	RES, CHIP 1K	5% 1/10W	R466		VARIANT(SEE VARIANT PARTS LIST)	
R353	1-208-788-11	RES, CHIP 1.8K	0.50% 1/10W	R467		VARIANT(SEE VARIANT PARTS LIST)	
R354	1-216-077-00	RES, CHIP 15K	5% 1/10W	R469		VARIANT(SEE VARIANT PARTS LIST)	
R355	1-216-033-00	RES, CHIP 220	5% 1/10W	R470		VARIANT(SEE VARIANT PARTS LIST)	
R356	1-216-033-00	RES, CHIP 220	5% 1/10W	R471		VARIANT(SEE VARIANT PARTS LIST)	
R358		VARIANT(SEE VARIANT PARTS LIST)		R472		VARIANT(SEE VARIANT PARTS LIST)	
R359		VARIANT(SEE VARIANT PARTS LIST)		R473		VARIANT(SEE VARIANT PARTS LIST)	
R360		VARIANT(SEE VARIANT PARTS LIST)		R474		VARIANT(SEE VARIANT PARTS LIST)	
R361	1-216-025-91	RES, CHIP 100	5% 1/10W	R475		VARIANT(SEE VARIANT PARTS LIST)	
R362	1-216-025-91	RES, CHIP 100	5% 1/10W	R476		VARIANT(SEE VARIANT PARTS LIST)	
R363	1-216-025-91	RES, CHIP 100	5% 1/10W	R477		VARIANT(SEE VARIANT PARTS LIST)	
R364	1-216-101-00	RES, CHIP 150K	5% 1/10W	R478		VARIANT(SEE VARIANT PARTS LIST)	
R365	1-216-101-00	RES, CHIP 150K	5% 1/10W	R479		VARIANT(SEE VARIANT PARTS LIST)	
R366	1-216-089-91	RES, CHIP 47K	5% 1/10W	R480		VARIANT(SEE VARIANT PARTS LIST)	
R367	1-216-097-91	RES, CHIP 100K	5% 1/10W	R481		VARIANT(SEE VARIANT PARTS LIST)	
R368	1-249-441-11	CARBON 100K	5% 1/4W	R482		VARIANT(SEE VARIANT PARTS LIST)	
R369	1-216-097-91	RES, CHIP 100K	5% 1/10W	R483		VARIANT(SEE VARIANT PARTS LIST)	
R370	1-249-417-11	CARBON 1K	5% 1/4W	R501	1-216-037-00	RES, CHIP 330	5% 1/10W
R371	1-216-053-00	RES, CHIP 1.5K	5% 1/10W	R502	1-216-061-00	RES, CHIP 3.3K	5% 1/10W
R372	1-216-113-00	RES, CHIP 470K	5% 1/10W	R503	1-249-426-11	CARBON 5.6K	5% 1/4W
R373	1-216-073-00	RES, CHIP 10K	5% 1/10W	R504 $\Delta$	1-215-915-11	METAL OXIDE 470	5% 3W
R374	1-216-125-00	RES, CHIP 1.5M	5% 1/10W	R505	1-249-431-11	CARBON 15K	5% 1/4W
R375	1-216-025-91	RES, CHIP 100	5% 1/10W	R506	1-215-861-00	METAL OXIDE 47	5% 1W
R376	1-216-073-00	RES, CHIP 10K	5% 1/10W	R507	1-249-401-11	CARBON 47	5% 1/4W
R379	1-216-033-00	RES, CHIP 220	5% 1/10W	R508	1-249-427-11	CARBON 6.8K	5% 1/4W
R380	1-247-815-91	CARBON 220	5% 1/4W	R509	1-247-750-11	CARBON 680	5% 1/2W
R381	1-247-815-91	CARBON 220	5% 1/4W	R510 $\Delta$	1-215-860-11	METAL OXIDE 33	5% 1W
R382	1-216-033-00	RES, CHIP 220	5% 1/10W	R511		VARIANT(SEE VARIANT PARTS LIST)	
R383	1-216-049-91	RES, CHIP 1K	5% 1/10W	R512 $\Delta$	1-215-886-11	METAL OXIDE 100	5% 2W
R384	1-216-109-00	RES, CHIP 330K	5% 1/10W	R515		VARIANT(SEE VARIANT PARTS LIST)	
R385	1-249-422-11	CARBON 2.7K	5% 1/4W	R516	1-216-057-00	RES, CHIP 2.2K	5% 1/10W
R386		VARIANT(SEE VARIANT PARTS LIST)		R517	1-249-415-11	CARBON 680	5% 1/4W
R387	1-216-049-91	RES, CHIP 1K	5% 1/10W	R518	1-216-073-00	RES, CHIP 10K	5% 1/10W
R388	1-216-089-91	RES, CHIP 47K	5% 1/10W	R519	1-249-411-11	CARBON 330	5% 1/4W
				R521	1-215-915-11	METAL OXIDE 470	5% 3W



# V SERIES COMMON PARTS LISTING

**Note:**

The components identified with shading and a critical symbol (  $\Delta$  ) are critical for safety. Replace only with part number specified.

**Note:**

The components identified by  $\boxtimes$  in this manual have been carefully factory-selected for each set in order to satisfy regulations regarding X-ray radiation. Should replacement be required, replace only with the value originally used.

REF.NO.	PART NO.	DESCRIPTION	REMARK			
R523		VARIANT(SEE VARIANT PARTS LIST)				
R524	1-249-429-11	CARBON	10K	5%	1/4W	
R525	1-216-071-00	RES, CHIP	8.2K	5%	1/10W	
R528	1-216-081-00	RES, CHIP	22K	5%	1/10W	
R529		VARIANT(SEE VARIANT PARTS LIST)				
$\boxtimes$ R530 $\Delta$	1-208-808-11	RES, CHIP	12K	0.50%	1/10W	
R531		VARIANT(SEE VARIANT PARTS LIST)				
R532	1-208-760-11	RES, CHIP	120	0.50%	1/10W	
R533		VARIANT(SEE VARIANT PARTS LIST)				
R535	1-216-101-00	RES, CHIP	150K	5%	1/10W	
R536 $\Delta$	1-249-377-11	CARBON	0.47	5%	1/4W	
R537 $\Delta$	1-249-377-11	CARBON	0.47	5%	1/4W	
R538	1-247-887-00	CARBON	220K	5%	1/4W	
R541		VARIANT(SEE VARIANT PARTS LIST)				
R542		VARIANT(SEE VARIANT PARTS LIST)				
R543	1-249-377-11	CARBON	0.47	5%	1/4W	
R546		VARIANT(SEE VARIANT PARTS LIST)				
R547	1-215-457-00	METAL OXIDE	33K	1%	1/4W	
R549	1-215-437-00	METAL OXIDE	4.7K	1%	1/4W	
R550 $\Delta$	1-249-377-11	CARBON	0.47	5%	1/4W	
R551 $\Delta$	1-215-873-00	METAL OXIDE	4.7K	5%	1W	
R552	1-216-069-00	RES, CHIP	6.8K	5%	1/10W	
R553 $\Delta$	1-249-377-11	CARBON	0.47	5%	1/4W	
R554	1-216-057-00	RES, CHIP	2.2K	5%	1/10W	
R561	1-216-073-00	RES, CHIP	10K	5%	1/10W	
R563 $\Delta$	1-216-351-00	METAL OXIDE	1.5	5%	1W	
R564	1-249-393-11	CARBON	10	5%	1/4W	
R565 $\Delta$	1-215-890-11	METAL OXIDE	470	5%	2W	
R566	1-216-073-00	RES, CHIP	10K	5%	1/10W	
R567 $\Delta$	1-249-385-11	CARBON	2.2	5%	1/4W	
R568	1-216-073-00	RES, CHIP	10K	5%	1/10W	
R569	1-216-073-00	RES, CHIP	10K	5%	1/10W	
R570	1-216-097-91	RES, CHIP	100K	5%	1/10W	
R571	1-216-081-00	RES, CHIP	22K	5%	1/10W	
R572	1-216-081-00	RES, CHIP	22K	5%	1/10W	
R573	1-216-097-91	RES, CHIP	100K	5%	1/10W	
R574 $\Delta$	1-216-365-00	METAL OXIDE	0.47	5%	2W	
R575	1-216-113-00	RES, CHIP	470K	5%	1/10W	
R576	1-216-073-00	RES, CHIP	10K	5%	1/10W	
R577	1-216-097-91	RES, CHIP	100K	5%	1/10W	
R578	1-208-784-11	RES, CHIP	1.2K	0.50%	1/10W	
R579	1-208-842-11	RES, CHIP	330K	0.50%	1/10W	
R580	1-249-441-11	CARBON	100K	5%	1/4W	
R1101	1-216-049-91	RES, CHIP	1K	5%	1/10W	
R1102	1-215-900-11	METAL OXIDE	22K	5%	2W	
R1103	1-216-051-00	RES, CHIP	1.2K	5%	1/10W	
R1104	1-216-083-00	RES, CHIP	27K	5%	1/10W	
R1105	1-216-689-11	RES, CHIP	39K	5%	1/10W	
R1106	1-216-049-91	RES, CHIP	1K	5%	1/10W	

REF.NO.	PART NO.	DESCRIPTION	REMARK			
R1107	1-216-065-91	RES, CHIP	4.7K	5%	1/10W	
R1108	1-216-073-00	RES, CHIP	10K	5%	1/10W	
R1109	1-216-019-00	RES, CHIP	56	5%	1/10W	
R1110	1-216-019-00	RES, CHIP	56	5%	1/10W	
R1111	1-216-019-00	RES, CHIP	56	5%	1/10W	
R1115	1-216-045-00	RES, CHIP	680	5%	1/10W	
R1117	1-249-425-11	CARBON	4.7K	5%	1/4W	
R1118	1-249-425-11	CARBON	4.7K	5%	1/4W	
R1120	1-216-057-00	RES, CHIP	2.2K	5%	1/10W	
R1121	1-216-035-00	RES, CHIP	270	5%	1/10W	
R1122	1-216-115-00	RES, CHIP	560K	5%	1/10W	
R1123	1-216-039-00	RES, CHIP	390	5%	1/10W	
R1125	1-216-057-00	RES, CHIP	2.2K	5%	1/10W	
R1126	1-216-035-00	RES, CHIP	270	5%	1/10W	
R1127	1-216-115-00	RES, CHIP	560K	5%	1/10W	
R1128	1-216-039-00	RES, CHIP	390	5%	1/10W	
R1130	1-216-057-00	RES, CHIP	2.2K	5%	1/10W	
R1351	1-247-815-91	CARBON	220	5%	1/4W	
R1352	1-247-815-91	CARBON	220	5%	1/4W	
R1353	1-247-815-91	CARBON	220	5%	1/4W	
R1354	1-216-033-00	RES, CHIP	220	5%	1/10W	
R1355	1-216-025-91	RES, CHIP	100	5%	1/10W	
R1356	1-216-025-91	RES, CHIP	100	5%	1/10W	
R1357	1-216-025-91	RES, CHIP	100	5%	1/10W	
R1358	1-247-807-31	CARBON	100	5%	1/4W	
R1359	1-216-025-91	RES, CHIP	100	5%	1/10W	
R1360	1-216-069-00	RES, CHIP	6.8K	5%	1/10W	
R1361	1-216-065-91	RES, CHIP	4.7K	5%	1/10W	
R1362	1-216-295-91	SHORT				

**SWITCH**

S501 1-572-707-11 SWITCH, LEVER

**TRANSFORMER**

T501 1-437-210-11 TRANSFORMER, HORIZONTAL DRIVE  
 T502 VARIANT(SEE VARIANT PARTS LIST)  
 T503 VARIANT(SEE VARIANT PARTS LIST)  
 T504 VARIANT(SEE VARIANT PARTS LIST)

**TUNER**

TU102  $\Delta$  8-598-431-00 TUNER, FSS BTF-WA411

**CRYSTAL**

X001 1-578-774-11 VIBRATOR, CRYSTAL  
 X353 1-567-505-11 OSCILLATOR, CRYSTAL  
 X354 1-577-611-11 OSCILLATOR, CERAMIC CHIP



# S SERIES BOARD VARIANT PARTS LIST

The parts on this page belong to the following model(s) only:

**KV-32S40/34SL40/34SL40C**

**Note:**

The components identified with shading and a critical symbol (  $\Delta$  ) are critical for safety. Replace only with part number specified.

**Note:**

The components identified by  $\boxtimes$  in this manual have been carefully factory-selected for each set in order to satisfy regulations regarding X-ray radiation. Should replacement be required, replace only with the value originally used.

**REF.NO. PART NO. DESCRIPTION REMARK**

**A BOARD VARIANT LIST:  
KV-32S40/34SL40/34SL40C**

\* A-1298-630-A A BOARD, COMPLETE

**CAPACITOR**

C068	1-164-096-11	CERAMIC CHIP	0.01MF		50V
C370	1-163-037-11	CERAMIC CHIP	0.022MF	10%	50V
C375	1-165-319-11	CERAMIC CHIP	0.1MF		50V
C513 $\Delta$	1-130-895-00	FILM	0.056MF	5%	400V
C514 $\Delta$	1-104-844-11	FILM	0.62MF	5%	200V
C520	1-164-645-11	CERAMIC CHIP	1000PF	10%	500V
C521	1-164-161-11	CERAMIC CHIP	0.0022MF	10%	50V
C537	1-126-941-11	ELECT	470MF	20%	25V
C539 $\Delta$	1-126-935-11	ELECT	470MF	20%	16V
C1501	1-115-462-11	FILM	0.12MF	5%	200V

**DIODE**

D005	8-719-991-33	DIODE 1SS133T-77
D006	1-810-039-31	LED UNIT

**IC**

IC003	8-742-014-11	HYB IC SBX1981-51
IC1261	8-759-366-77	IC MM1311AD

**CHIP CONDUCTOR**

JR351	1-216-295-91	SHORT
JR352	1-216-295-91	SHORT
JR1264	1-216-295-91	SHORT

**RESISTOR**

R059	1-216-047-91	RES, CHIP	820	5%	1/10W
R060	1-216-049-91	RES, CHIP	1K	5%	1/10W
R061	1-216-055-00	RES, CHIP	1.8K	5%	1/10W
R062	1-216-065-91	RES, CHIP	4.7K	5%	1/10W
R063	1-216-073-00	RES, CHIP	10K	5%	1/10W
R365	1-216-101-00	RES, CHIP	150K	5%	1/10W
R374	1-216-125-00	RES, CHIP	1.5M	5%	1/10W
R469	1-216-069-00	RES, CHIP	6.8K	5%	1/10W
R472	1-216-069-00	RES, CHIP	6.8K	5%	1/10W
R511 $\Delta$	1-215-885-00	METAL	68	5%	2W
R515	1-216-083-00	RES, CHIP	27K	5%	1/10W
R523	1-216-073-00	RES, CHIP	10K	5%	1/10W
R529	1-208-814-11	RES, CHIP	22K	0.50%	1/10W
$\boxtimes$ R531 $\Delta$	1-208-826-11	RES, CHIP	68K	0.50%	1/10W
R533 $\Delta$	1-215-902-11	METAL	47K	5%	1W

**REF.NO. PART NO. DESCRIPTION REMARK**

R535	1-216-101-00	RES, CHIP	150K	5%	1/10W
R546	1-215-453-00	METAL	22K	1%	1/4W
R1009	1-216-033-00	RES, CHIP	220	5%	1/10W
R1010	1-216-033-00	RES, CHIP	220	5%	1/10W

**SWITCH**

S001	1-692-431-21	SWITCH, TACTILE
S002	1-692-431-21	SWITCH, TACTILE
S003	1-692-431-21	SWITCH, TACTILE
S004	1-692-431-21	SWITCH, TACTILE
S005	1-692-431-21	SWITCH, TACTILE
S006	1-692-431-21	SWITCH, TACTILE
S007	1-692-431-21	SWITCH, TACTILE

**TRANSFORMER**

T502 $\Delta$	1-424-545-11	TRANSFORMER FERRITE (PMT)
T503 $\Delta$	1-453-207-11	FLYBACK TRANSFORMER ASSY, NX-2609//X4C

**TUNER**

TU102 $\Delta$	8-598-431-00	TUNER, FSS BTF-WA411
----------------	--------------	----------------------



# S SERIES BOARD VARIANT PARTS LIST

**Note:**

The components identified with shading and a critical symbol ( Δ ) are critical for safety. Replace only with part number specified.

**Note:**

The components identified by X in this manual have been carefully factory-selected for each set in order to satisfy regulations regarding X-ray radiation. Should replacement be required, replace only with the value originally used.

The parts on this page belong to the following model(s) only:  
**KV-32S45/34SL45**

REF.NO.	PART NO.	DESCRIPTION	REMARK
<b>A BOARD VARIANT LIST: KV-32S45/34SL45</b>			
* A-1298-631-A A BOARD, COMPLETE			
<u>CAPACITOR</u>			
C370	1-163-037-11	CERAMIC CHIP	0.022MF 10% 50V
C513	Δ 1-130-895-00	FILM	0.056MF 5% 400V
C514	Δ 1-104-844-11	FILM	0.62MF 5% 200V
C520	1-164-645-11	CERAMIC CHIP	1000PF 10% 500V
C521	1-164-161-11	CERAMIC CHIP	0.0022MF 10% 50V
C537	1-126-941-11	ELECT	470MF 20% 25V
C539	Δ 1-126-935-11	ELECT	470MF 20% 16V
C1241	1-136-161-00	FILM	0.047MF 5% 50V
C1242	1-126-960-11	ELECT	1MF 20% 50V
C1243	1-126-960-11	ELECT	1MF 20% 50V
C1501	1-115-462-11	FILM	0.12MF 5% 200V
<u>CONNECTOR</u>			
CN1001*	1-564-512-11	PLUG, CONNECTOR	9P
CN3001	1-573-298-11	CONNECTOR, BOARD TO BOARD	
<u>DIODE</u>			
D368	8-719-991-33	DIODE	1SS133T-77
<u>IC</u>			
IC1261	8-759-534-81	IC	MM1313AD
<u>JACK</u>			
J1233	1-774-749-11	JACK BLOCK, PIN	
<u>RESISTOR</u>			
R012	1-216-033-00	RES, CHIP	220 5% 1/10W
R022	1-249-429-11	CARBON	10K 5% 1/4W
R031	1-247-815-91	CARBON	220 5% 1/4W
R358	1-247-815-91	CARBON	220 5% 1/4W
R359	1-247-815-91	CARBON	220 5% 1/4W
R360	1-247-815-91	CARBON	220 5% 1/4W
R365	1-216-101-00	RES, CHIP	150K 5% 1/10W
R374	1-216-125-00	RES, CHIP	1.5M 5% 1/10W
R386	1-216-049-91	RES, CHIP	1K 5% 1/10W
R469	1-216-069-00	RES, CHIP	6.8K 5% 1/10W
R472	1-216-069-00	RES, CHIP	6.8K 5% 1/10W
R511	Δ 1-215-885-00	METAL	68 5% 2W
R515	1-216-083-00	RES, CHIP	27K 5% 1/10W

REF.NO.	PART NO.	DESCRIPTION	REMARK
R523	1-216-073-00	RES, CHIP	10K 5% 1/10W
R529	1-208-814-11	RES, CHIP	22K 0.50% 1/10W
X R531	Δ 1-208-826-11	RES, CHIP	68K 0.50% 1/10W
R533	Δ 1-215-902-11	METAL	47K 5% 1W
R535	1-216-101-00	RES, CHIP	150K 5% 1/10W
R546	1-215-453-00	METAL	22K 1% 1/4W
R1249	1-216-022-00	RES, CHIP	75 5% 1/10W
R1250	1-216-113-00	RES, CHIP	470K 5% 1/10W
R1251	1-216-065-91	RES, CHIP	4.7K 5% 1/10W
R1252	1-216-113-00	RES, CHIP	470K 5% 1/10W
R1253	1-216-065-91	RES, CHIP	4.7K 5% 1/10W
R1273	1-216-033-00	RES, CHIP	220 5% 1/10W
R1274	1-216-025-91	RES, CHIP	100 5% 1/10W
R1283	1-247-791-91	CARBON	22 5% 1/4W
R1297	1-216-025-91	RES, CHIP	100 5% 1/10W
<u>TRANSFORMER</u>			
T502	Δ 1-424-545-11	TRANSFORMER FERRITE	(PMT)
T503	Δ 1-453-207-11	FLYBACK TRANSFORMER ASSY,	NX-2609//X4C
<u>TUNER</u>			
TU102	Δ 8-598-431-00	TUNER, FSS	BTF-WA411





# S SERIES BOARD VARIANT PARTS LIST

The parts on this page belong to the following model(s) only:

**KV-35S40**

**Note:**

The components identified with shading and a critical symbol (  $\Delta$  ) are critical for safety. Replace only with part number specified.

**Note:**

The components identified by  $\blacktriangle$  in this manual have been carefully factory-selected for each set in order to satisfy regulations regarding X-ray radiation. Should replacement be required, replace only with the value originally used.

REF.NO.	PART NO.	DESCRIPTION	REMARK
<b>A BOARD VARIANT LIST: KV-35S40</b>			
* A-1298-645-A A BOARD COMPLETE			
<u>CAPACITOR</u>			
C069	1-126-964-11	ELECT 10MF 20%	50V
C370	1-163-035-00	CERAMIC CHIP 0.047MF	50V
C375	1-165-319-11	CERAMIC CHIP 0.1MF	50V
C513 $\Delta$	1-129-720-00	FILM 0.033MF 5%	630V
C514 $\Delta$	1-136-540-11	FILM 0.82MF 5%	200V
C520	1-101-821-00	CERAMIC CHIP 0.0022MF	500V
C521	1-164-182-11	CERAMIC CHIP 0.0033MF 10%	50V
C537	1-126-942-61	ELECT 1000MF 20%	25V
C539 $\Delta$	1-126-942-61	ELECT 1000MF 20%	25V
C542	1-106-383-00	MYLAR 0.047MF 10%	200V
C1241	1-136-161-00	FILM 0.047MF 5%	50V
C1242	1-126-960-11	ELECT 1MF 20%	50V
C1243	1-126-960-11	ELECT 1MF 20%	50V
<u>CONNECTOR</u>			
CN1001*	1-564-512-11	PLUG, CONNECTOR 9P	
<u>IC</u>			
IC1261	8-759-366-77	IC MM1311AD	
<u>JACK</u>			
J1233	1-774-749-11	JACK BLOCK, PIN	
<u>CHIP CONDUCTOR</u>			
JR351	1-216-295-91	SHORT	
JR352	1-216-295-91	SHORT	
JR1264	1-216-295-91	SHORT	
<u>COIL</u>			
L541	1-406-677-11	INDUCTOR	
<u>RESISTOR</u>			
R022	1-249-429-11	CARBON 10K 5%	1/4W
R069	1-216-073-00	RES, CHIP 10K 5%	1/10W
R085	1-216-073-00	RES, CHIP 10K 5%	1/10W
R365	1-216-097-91	RES, CHIP 100K 5%	1/10W
R374	1-216-121-91	RES, CHIP 1M 5%	1/10W

REF.NO.	PART NO.	DESCRIPTION	REMARK
R469	1-216-065-91	RES, CHIP 4.7K 5%	1/10W
R472	1-216-065-91	RES, CHIP 4.7K 5%	1/10W
R511 $\Delta$	1-215-886-11	METAL 100 5%	2W
R515	1-216-077-00	RES, CHIP 15K 5%	1/10W
R523	1-216-071-00	RES, CHIP 8.2K 5%	1/10W
R529	1-208-812-11	RES, CHIP 18K 0.50%	1/10W
$\blacktriangle$ R531 $\Delta$	1-208-838-11	RES, CHIP 220K 0.50%	1/10W
R533 $\Delta$	1-215-878-00	METAL 33K 5%	1W
R535	1-216-103-00	RES, CHIP 180K 5%	1/10W
R541	1-249-377-11	CARBON 0.47 5%	1/4W
R542	1-249-397-11	CARBON 22 5%	1/4W
R546	1-215-451-00	METAL 18K 1%	1/4W
R1249	1-216-022-00	RES, CHIP 75 5%	1/10W
R1250	1-216-113-00	RES, CHIP 470K 5%	1/10W
R1251	1-216-065-91	RES, CHIP 4.7K 5%	1/10W
R1252	1-216-113-00	RES, CHIP 470K 5%	1/10W
R1253	1-216-065-91	RES, CHIP 4.7K 5%	1/10W
R1273	1-216-033-00	RES, CHIP 220 5%	1/10W
R1274	1-216-025-91	RES, CHIP 100 5%	1/10W
R1283	1-247-791-91	CARBON 22 5%	1/4W
R1296	1-216-025-91	RES, CHIP 100 5%	1/10W
<u>TRANSFORMER</u>			
T502 $\Delta$	1-429-408-11	TRANSFORMER FERRITE (PMT)	
T503 $\Delta$	X-4034-797-1	FLYBACK TRANSFORMER ASSY, NX-3005//J1C	
T504	1-413-059-00	TRANSFORMER FERRITE (DFT)	
<u>TUNER</u>			
TU102 $\Delta$	8-598-431-00	TUNER, FSS BTF-WA411	

**Note:**

The components identified with shading and a critical symbol (Δ) are critical for safety. Replace only with part number specified.

**Note:**

The components identified by ✘ in this manual have been carefully factory-selected for each set in order to satisfy regulations regarding X-ray radiation. Should replacement be required, replace only with the value originally used.



**S SERIES  
BOARD VARIANT PARTS LIST**

The parts on this page belong to the following model(s) only:  
**KV-35S45/37SL45**

REF.NO.	PART NO.	DESCRIPTION	REMARK		
<b>A BOARD VARIANT LIST: KV-35S45/37SL45</b>					
* A-1298-646-A A BOARD, COMPLETE					
<u>CAPACITOR</u>					
C069	1-126-964-11	ELECT	10MF	20%	50V
C370	1-163-035-00	CERAMIC CHIP	0.047MF		50V
C513 Δ	1-129-720-00	FILM	0.033MF	5%	630V
C514 Δ	1-136-540-11	FILM	0.82MF	5%	200V
C520	1-101-821-00	CERAMIC CHIP	0.0022MF		500V
C521	1-164-182-11	CERAMIC CHIP	0.0033MF	10%	50V
C537	1-126-942-61	ELECT	1000MF	20%	25V
C539 Δ	1-126-942-61	ELECT	1000MF	20%	25V
C542	1-106-383-00	MYLAR	0.047MF	10%	200V
C1241	1-136-161-00	FILM	0.047MF	5%	50V
C1242	1-126-960-11	ELECT	1MF	20%	50V
C1243	1-126-960-11	ELECT	1MF	20%	50V
<u>CONNECTOR</u>					
CN1001*	1-564-512-11	PLUG, CONNECTOR 9P			
CN3001	1-573-298-11	CONNECTOR, BOARD TO BOARD			
<u>DIODE</u>					
D368	8-719-991-33	DIODE 1SS133T-77			
<u>IC</u>					
IC1261	8-759-534-81	IC MM1313AD			
<u>JACK</u>					
J1233	1-774-749-11	JACK BLOCK, PIN			
<u>COIL</u>					
L541	1-406-677-11	INDUCTOR			
<u>RESISTOR</u>					
R012	1-216-033-00	RES, CHIP	220	5%	1/10W
R022	1-249-429-11	CARBON	10K	5%	1/4W
R031	1-247-815-91	CARBON	220	5%	1/4W
R069	1-216-073-00	RES, CHIP	10K	5%	1/10W
R085	1-216-073-00	RES, CHIP	10K	5%	1/10W
R358	1-247-815-91	CARBON	220	5%	1/4W
R359	1-247-815-91	CARBON	220	5%	1/4W
R360	1-247-815-91	CARBON	220	5%	1/4W
R365	1-216-097-91	RES, CHIP	100K	5%	1/10W
R374	1-216-121-91	RES, CHIP	1M	5%	1/10W

REF.NO.	PART NO.	DESCRIPTION	REMARK		
R386	1-216-049-91	RES, CHIP	1K	5%	1/10W
R469	1-216-065-91	RES, CHIP	4.7K	5%	1/10W
R472	1-216-065-91	RES, CHIP	4.7K	5%	1/10W
R511 Δ	1-215-886-11	METAL	100	5%	2W
R515	1-216-077-00	RES, CHIP	15K	5%	1/10W
R523	1-216-071-00	RES, CHIP	8.2K	5%	1/10W
R529	1-208-812-11	RES, CHIP	18K	0.50%	1/10W
✘ R531 Δ	1-208-838-11	RES, CHIP	220K	0.50%	1/10W
R533 Δ	1-215-878-00	METAL	33K	5%	1W
R535	1-216-103-00	RES, CHIP	180K	5%	1/10W
R541	1-249-377-11	CARBON	0.47	5%	1/4W
R542	1-249-397-11	CARBON	22	5%	1/4W
R546	1-215-451-00	METAL	18K	1%	1/4W
R1249	1-216-022-00	RES, CHIP	75	5%	1/10W
R1250	1-216-113-00	RES, CHIP	470K	5%	1/10W
R1251	1-216-065-91	RES, CHIP	4.7K	5%	1/10W
R1252	1-216-113-00	RES, CHIP	470K	5%	1/10W
R1253	1-216-065-91	RES, CHIP	4.7K	5%	1/10W
R1273	1-216-033-00	RES, CHIP	220	5%	1/10W
R1274	1-216-025-91	RES, CHIP	100	5%	1/10W
R1283	1-247-791-91	CARBON	22	5%	1/4W
R1297	1-216-025-91	RES, CHIP	100	5%	1/10W
<u>TRANSFORMER</u>					
T502 Δ	1-429-408-11	TRANSFORMER FERRITE (PMT)			
T503 Δ	X-4034-797-1	FLYBACK TRANSFORMER ASSY, NX-3005//J1C			
T504	1-413-059-00	TRANSFORMER FERRITE (DFT)			
<u>TUNER</u>					
TU102 Δ	8-598-431-00	TUNER, FSS 2BTF-WA411			



# S SERIES BOARD VARIANT PARTS LIST

The parts on this page belong to the following model(s) only:

**KV-34SL40T**

**Note:**

The components identified with shading and a critical symbol (  $\Delta$  ) are critical for safety. Replace only with part number specified.

**Note:**

The components identified by  $\boxtimes$  in this manual have been carefully factory-selected for each set in order to satisfy regulations regarding X-ray radiation. Should replacement be required, replace only with the value originally used.

REF.NO.	PART NO.	DESCRIPTION	REMARK		
<b>A BOARD VARIANT LIST: KV-34SL40T</b>					
* A-1298-661-A A BOARD, COMPLETE					
<u>CAPACITOR</u>					
C068	1-164-096-11	CERAMIC CHIP	0.01MF		50V
C370	1-163-037-11	CERAMIC CHIP	0.022MF	10%	50V
C375	1-165-319-11	CERAMIC CHIP	0.1MF		50V
C513	$\Delta$ 1-130-895-00	FILM	0.056MF	5%	400V
C514	$\Delta$ 1-104-844-11	FILM	0.62MF	5%	200V
C520	1-164-645-11	CERAMIC CHIP	1000PF	10%	500V
C521	1-164-161-11	CERAMIC CHIP	0.0022MF	10%	50V
C537	1-126-941-11	ELECT	470MF	20%	25V
C539	$\Delta$ 1-126-935-11	ELECT	470MF	20%	16V
C1501	1-115-462-11	FILM	0.12MF	5%	200V
<u>DIODE</u>					
D005	8-719-991-33	DIODE 1SS133T-77			
D006	1-810-039-31	LED UNIT			
<u>IC</u>					
IC003	8-742-014-11	HYB IC SBX1981-51			
IC1261	8-759-366-77	IC MM1311AD			
<u>CHIP CONDUCTOR</u>					
JR351	1-216-295-91	SHORT			
JR352	1-216-295-91	SHORT			
JR1264	1-216-295-91	SHORT			
<u>RESISTOR</u>					
R059	1-216-047-91	RES, CHIP	820	5%	1/10W
R060	1-216-049-91	RES, CHIP	1K	5%	1/10W
R061	1-216-055-00	RES, CHIP	1.8K	5%	1/10W
R062	1-216-065-91	RES, CHIP	4.7K	5%	1/10W
R063	1-216-073-00	RES, CHIP	10K	5%	1/10W
R365	1-216-101-00	RES, CHIP	150K	5%	1/10W
R374	1-216-125-00	RES, CHIP	1.5M	5%	1/10W
R469	1-216-069-00	RES, CHIP	6.8K	5%	1/10W
R472	1-216-069-00	RES, CHIP	6.8K	5%	1/10W
R511	$\Delta$ 1-215-885-00	METAL	68	5%	2W
R515	1-216-083-00	RES, CHIP	27K	5%	1/10W
R523	1-216-073-00	RES, CHIP	10K	5%	1/10W
R529	1-208-814-11	RES, CHIP	22K	0.50%	1/10W
$\boxtimes$ R531	$\Delta$ 1-208-826-11	RES, CHIP	68K	0.50%	1/10W
R533	$\Delta$ 1-215-902-11	METAL	47K	5%	1W

REF.NO.	PART NO.	DESCRIPTION	REMARK		
R535	1-216-101-00	RES, CHIP	150K	5%	1/10W
R546	1-215-453-00	METAL	22K	1%	1/4W
R1009	1-216-033-00	RES, CHIP	220	5%	1/10W
R1010	1-216-033-00	RES, CHIP	220	5%	1/10W
<u>SWITCH</u>					
S001	1-692-431-21	SWITCH, TACTILE			
S002	1-692-431-21	SWITCH, TACTILE			
S003	1-692-431-21	SWITCH, TACTILE			
S004	1-692-431-21	SWITCH, TACTILE			
S005	1-692-431-21	SWITCH, TACTILE			
S006	1-692-431-21	SWITCH, TACTILE			
S007	1-692-431-21	SWITCH, TACTILE			
<u>TRANSFORMER</u>					
T502	$\Delta$ 1-424-545-11	TRANSFORMER, FERRITE (PMT)			
T503	$\Delta$ 1-453-207-11	FLYBACK TRANSFORMER ASSY, NX-2609//X4C			
<u>TUNER</u>					
TU102	$\Delta$ 8-598-477-00	FSS TUNER BTF-WG411			



# V SERIES BOARD VARIANT PARTS LIST

**Note:**

The components identified with shading and a critical symbol (  $\Delta$  ) are critical for safety. Replace only with part number specified.

**Note:**

The components identified by  $\boxtimes$  in this manual have been carefully factory-selected for each set in order to satisfy regulations regarding X-ray radiation. Should replacement be required, replace only with the value originally used.

The parts on this page belong to the following model(s) only:

**KV-32V40**

REF.NO.	PART NO.	DESCRIPTION	REMARK			
<b>A BOARD VARIANT LIST: KV-32V40</b>						
* A-1298-611-A A BOARD, COMPLETE						
<u>CAPACITOR</u>						
C461	1-126-964-11	ELECT	10MF	20%	50V	
C462	1-126-961-11	ELECT	2.2MF	20%	50V	
C463	1-126-961-11	ELECT	2.2MF	20%	50V	
C464	1-163-017-00	CERAMIC	0.0047MF	10%	50V	
C466	1-104-666-11	ELECT	220MF	20%	25V	
C467	1-163-017-00	CERAMIC	0.0047MF	10%	50V	
C468	1-104-664-11	ELECT	47MF	20%	25V	
C470	1-126-961-11	ELECT	2.2MF	20%	50V	
C471	1-104-666-11	ELECT	220MF	20%	25V	
C472	1-136-173-00	FILM	0.47MF	5%	50V	
C473	1-136-169-00	FILM	0.22MF	5%	50V	
C474	1-126-942-61	ELECT	1000MF	20%	25V	
C475	1-136-169-00	FILM	0.22MF	5%	50V	
C476	1-126-942-61	ELECT	1000MF	20%	25V	
C477	1-126-942-61	ELECT	1000MF	20%	25V	
C513 $\Delta$	1-130-895-00	FILM	0.056MF	5%	400V	
C514 $\Delta$	1-104-844-11	FILM	0.62MF	5%	200V	
C520	1-164-645-11	CERAMIC CHIP	1000PF	10%	500V	
C521	1-164-161-11	CERAMIC CHIP	0.0022MF	10%	50V	
C537	1-126-941-11	ELECT	470MF	20%	25V	
C539 $\Delta$	1-126-935-11	ELECT	470MF	20%	16V	
C1501	1-115-462-11	FILM	0.12MF	5%	200V	
<u>CONNECTOR</u>						
CN461	1-564-507-11	PLUG, CONNECTOR 4P				
<u>IC</u>						
IC461	8-759-980-43	IC TDA2009A				
<u>CHIP CONDUCTOR</u>						
JR351	1-216-295-91	SHORT				
JR352	1-216-295-91	SHORT				
JR1417	1-216-295-91	SHORT				
<u>COIL</u>						
L461	1-410-472-41	INDUCTOR 15UH				

REF.NO.	PART NO.	DESCRIPTION	REMARK			
<u>IC LINK</u>						
PS461 $\Delta$	1-532-984-11	LINK, IC 2A/90V				
<u>TRANSISTOR</u>						
Q461	8-729-422-27	TRANSISTOR 2SD601A-Q				
Q462	8-729-216-22	TRANSISTOR 2SA1162-G				
Q1103	8-729-422-27	TRANSISTOR 2SD601A-Q				
<u>RESISTOR</u>						
R461	1-216-065-91	RES, CHIP	4.7K	5%	1/10W	
R462	1-216-089-91	RES, CHIP	47K	5%	1/10W	
R463	1-249-435-11	CARBON	33K	5%	1/4W	
R464	1-216-097-91	RES, CHIP	100K	5%	1/10W	
R465	1-249-413-11	CARBON	470	5%	1/4W	
R466	1-249-385-11	CARBON	2.2	5%	1/4W	
R467	1-216-069-00	RES, CHIP	6.8K	5%	1/10W	
R469	1-216-055-00	RES, CHIP	1.8K	5%	1/10W	
R470	1-216-077-00	RES, CHIP	15K	5%	1/10W	
R471	1-216-069-00	RES, CHIP	6.8K	5%	1/10W	
R472	1-216-055-00	RES, CHIP	1.8K	5%	1/10W	
R473	1-249-398-11	CARBON	27	5%	1/4W	
R474	1-216-077-00	RES, CHIP	15K	5%	1/10W	
R475	1-249-430-11	CARBON	12K	5%	1/4W	
R476	1-249-430-11	CARBON	12K	5%	1/4W	
R477	1-249-398-11	CARBON	27	5%	1/4W	
R478	1-249-418-11	CARBON	1.2K	5%	1/4W	
R479	1-249-418-11	CARBON	1.2K	5%	1/4W	
R480	1-249-385-11	CARBON	2.2	5%	1/4W	
R481	1-249-385-11	CARBON	2.2	5%	1/4W	
R482	1-249-421-11	CARBON	2.2K	5%	1/4W	
R483	1-249-421-11	CARBON	2.2K	5%	1/4W	
R511 $\Delta$	1-215-885-00	METAL	68	5%	2W	
R515	1-216-083-00	RES, CHIP	27K	5%	1/10W	
R523	1-216-073-00	RES, CHIP	10K	5%	1/10W	
R529	1-208-814-11	RES, CHIP	22K	0.50%	1/10W	
$\boxtimes$ R531 $\Delta$	1-208-826-11	RES, CHIP	68K	0.50%	1/10W	
R533 $\Delta$	1-215-902-11	METAL	47K	5%	1W	
R546	1-215-453-00	METAL	22K	1%	1/4W	
<u>TRANSFORMER</u>						
T502 $\Delta$	1-424-545-11	TRANSFORMER FERRITE (PMT)				
T503 $\Delta$	1-453-207-11	FLYBACK TRANSFORMER ASSY, NX-2609//X4C				



# V SERIES BOARD VARIANT PARTS LIST

The parts on this page belong to the following model(s) only:

**KV-34VL65C/34VL65/32V65CND**

**Note:**

The components identified with shading and a critical symbol (  $\Delta$  ) are critical for safety. Replace only with part number specified.

**Note:**

The components identified by  $\boxtimes$  in this manual have been carefully factory-selected for each set in order to satisfy regulations regarding X-ray radiation. Should replacement be required, replace only with the value originally used.

REF.NO.	PART NO.	DESCRIPTION	REMARK		
<b>A BOARD VARIANT LIST: KV-34VL65C/34VL65/32V65CND</b>					
* A-1298-613-A A BOARD COMPLETE					
<u>CAPACITOR</u>					
C461	1-126-966-11	ELECT	33MF	20%	16V
C478	1-126-934-11	ELECT	220MF	20%	16V
C513 $\Delta$	1-130-895-00	FILM	0.056MF	5%	400V
C514 $\Delta$	1-104-844-11	FILM	0.62MF	5%	200V
C520	1-164-645-11	CERAMIC CHIP	1000PF	10%	500V
C521	1-164-161-11	CERAMIC CHIP	0.0022MF	10%	50V
C537	1-126-941-11	ELECT	470MF	20%	25V
C539 $\Delta$	1-126-935-11	ELECT	470MF	20%	16V
C1501	1-115-462-11	FILM	0.12MF	5%	200V
<u>CONNECTOR</u>					
CN461	1-564-508-11	PLUG, CONNECTOR 5P			
CN1101	1-573-298-11	CONNECTOR, BOARD TO BOARD			
CN3001	1-573-298-11	CONNECTOR, BOARD TO BOARD			
<u>DIODE</u>					
D368	8-719-991-33	DIODE 1SS133T-77			
<u>CHIP CONDUCTOR</u>					
JR001	1-216-295-91	SHORT			
JR201	1-216-295-91	SHORT			
JR202	1-216-295-91	SHORT			
JR463	1-216-295-91	SHORT			
<u>COIL</u>					
L461	1-408-612-31	INDUCTOR 56UH			
<u>TRANSISTOR</u>					
Q1103	8-729-422-27	TRANSISTOR 2SD601A-Q			
<u>RESISTOR</u>					
R006	1-247-815-91	CARBON	220	5%	1/4W
R008	1-247-815-91	CARBON	220	5%	1/4W
R012	1-216-033-00	RES,CHIP	220	5%	1/10W
R031	1-247-815-91	CARBON	220	5%	1/4W
R040	1-247-815-91	CARBON	220	5%	1/4W
R041	1-216-065-91	RES,CHIP	4.7K	5%	1/10W
R042	1-216-065-91	RES,CHIP	4.7K	5%	1/10W
R045	1-247-815-91	CARBON	220	5%	1/4W

REF.NO.	PART NO.	DESCRIPTION	REMARK		
R088	1-216-033-00	RES,CHIP	220	5%	1/10W
R090	1-216-033-00	RES,CHIP	220	5%	1/10W
R358	1-247-815-91	CARBON	220	5%	1/4W
R359	1-247-815-91	CARBON	220	5%	1/4W
R360	1-247-815-91	CARBON	220	5%	1/4W
R386	1-216-049-91	RES,CHIP	1K	5%	1/10W
R466	1-249-382-11	CARBON	1.2	5%	1/4W
R511 $\Delta$	1-215-885-00	METAL	68	5%	2W
R515	1-216-083-00	RES, CHIP	27K	5%	1/10W
R523	1-216-073-00	RES,CHIP	10K	5%	1/10W
R529	1-208-814-11	RES,CHIP	22K	0.50%	1/10W
$\boxtimes$ R531 $\Delta$	1-208-826-11	RES,CHIP	68K	0.50%	1/10W
R533 $\Delta$	1-215-902-11	METAL	47K	5%	1W
R546	1-215-453-00	METAL	22K	1%	1/4W
<u>TRANSFORMER</u>					
T502 $\Delta$	1-424-545-11	TRANSFORMER FERRITE (PMT)			
T503 $\Delta$	1-453-207-11	FLYBACK TRANSFORMER ASSY, NX-2609//X4C			

**Note:**

The components identified with shading and a critical symbol (  $\Delta$  ) are critical for safety. Replace only with part number specified.

**Note:**

The components identified by  $\boxtimes$  in this manual have been carefully factory-selected for each set in order to satisfy regulations regarding X-ray radiation. Should replacement be required, replace only with the value originally used.



# V SERIES BOARD VARIANT PARTS LIST

The parts on this page belong to the following model(s) only:

**KV-35V65CND/37VL65/37VL65C**

REF.NO.	PART NO.	DESCRIPTION	REMARK			
<b>A BOARD VARIANT LIST: KV-35V65CND/37VL65/37VL65C</b>						
* A-1298-647-A A BOARD, COMPLETE						
<u>CAPACITOR</u>						
C069	1-126-964-11	ELECT	10MF	20%	50V	
C461	1-126-964-11	ELECT	10MF	20%	50V	
C478	1-126-934-11	ELECT	220MF	20%	16V	
C479	1-126-964-11	ELECT	10MF	20%	50V	
C513 $\Delta$	1-129-720-00	FILM	0.033MF	5%	630V	
C514 $\Delta$	1-136-540-11	FILM	0.82MF	5%	200V	
C520	1-101-821-00	CERAMIC CHIP	0.0022MF		500V	
C521	1-164-182-11	CERAMIC CHIP	0.0033MF	10%	50V	
C537	1-126-942-61	ELECT	1000MF	20%	25V	
C539 $\Delta$	1-126-942-61	ELECT	1000MF	20%	25V	
C542	1-106-383-00	MYLAR	0.047MF	10%	200V	
<u>CONNECTOR</u>						
CN461	1-564-508-11	PLUG, CONNECTOR 5P				
CN1101	1-573-298-11	CONNECTOR, BOARD TO BOARD				
CN3001	1-573-298-11	CONNECTOR, BOARD TO BOARD				
<u>DIODE</u>						
D368	8-719-991-33	DIODE 1SS133T-77				
<u>CHIP CONDUCTOR</u>						
JR001	1-216-295-91	SHORT				
JR201	1-216-295-91	SHORT				
JR202	1-216-295-91	SHORT				
JR463	1-216-295-91	SHORT				
<u>COIL</u>						
L461	1-408-617-31	INDUCTOR 180UH				
L541	1-406-677-11	INDUCTOR				
<u>TRANSISTOR</u>						
Q1103	8-729-120-28	TRANSISTOR 2SC1623-L5L6				
<u>RESISTOR</u>						
R006	1-247-815-91	CARBON	220	5%	1/4W	
R008	1-247-815-91	CARBON	220	5%	1/4W	
R012	1-216-033-00	RES,CHIP	220	5%	1/10W	
R031	1-247-815-91	CARBON	220	5%	1/4W	
R040	1-247-815-91	CARBON	220	5%	1/4W	

REF.NO.	PART NO.	DESCRIPTION	REMARK			
R041	1-216-065-91	"RES,CHIP"	4.7K	5%	1/10W	
R042	1-216-065-91	"RES,CHIP"	4.7K	5%	1/10W	
R045	1-247-815-91	CARBON	220	5%	1/4W	
R069	1-216-073-00	RES,CHIP	10K	5%	1/10W	
R085	1-216-073-00	RES,CHIP	10K	5%	1/10W	
R088	1-216-033-00	RES,CHIP	220	5%	1/10W	
R090	1-216-033-00	RES,CHIP	220	5%	1/10W	
R358	1-247-815-91	CARBON	220	5%	1/4W	
R359	1-247-815-91	CARBON	220	5%	1/4W	
R360	1-247-815-91	CARBON	220	5%	1/4W	
R386	1-216-049-91	RES,CHIP	1K	5%	1/10W	
R511 $\Delta$	1-215-886-11	METAL	100	5%	2W	
R515	1-216-077-00	RES,CHIP	15K	5%	1/10W	
R523	1-216-071-00	RES,CHIP	8.2K	5%	1/10W	
R529	1-208-812-11	RES,CHIP	18K	0.50%	1/10W	
$\boxtimes$ R531 $\Delta$	1-208-838-11	RES,CHIP	220K	0.50%	1/10W	
R533 $\Delta$	1-215-878-00	METAL	33K	5%	1W	
R541	1-249-377-11	CARBON	0.47	5%	1/4W	
R542	1-249-397-11	CARBON	22	5%	1/4W	
R546	1-215-451-00	METAL	18K	1%	1/4W	
<u>TRANSFORMER</u>						
T502 $\Delta$	1-429-408-11	TRANSFORMER FERRITE (PMT)				
T503 $\Delta$	X-4034-797-1	FLYBACK TRANSFORMER ASSY, NX-3005//J1C				
T504	1-413-059-00	TRANSFORMER FERRITE (DFT)				



# COMPLETE PARTS LISTING

**Note:**

The components identified with shading and a critical symbol (  $\Delta$  ) are critical for safety. Replace only with part number specified.

**Note:**

Les composants identifiés par un trame et une marque  $\Delta$  sont critiques pour la sécurité. Ne les remplacer que par une pièce portant le numéro spécifié.

REF.NO.	PART NO.	DESCRIPTION	REMARK
---------	----------	-------------	--------

**\* A-1298-612-A AV BOARD, COMPLETE**

(KV-34VL65C/32V65CND/34VL65/35V65CND/37VL65/37VL65C only)

CAPACITOR

C101	1-126-960-11	ELECT	1MF	20%	50V
C102	1-164-161-11	CERAMIC CHIP	0.0022MF	10%	50V
C104	1-126-964-11	ELECT	10MF	20%	50V
C106	1-104-664-11	ELECT	47MF	20%	25V
C108	1-126-933-11	ELECT	100MF	20%	16V
C109	1-163-259-91	CERAMIC CHIP	220PF	5%	50V
C110	1-104-760-11	CERAMIC CHIP	0.047MF	10%	50V
C111	1-126-960-11	ELECT	1MF	20%	50V
C113	1-126-934-11	ELECT	220MF	20%	16V
C1904	1-102-129-00	CERAMIC	0.01MF	10%	50V
C1905	1-126-964-11	ELECT	10MF	20%	50V
C1906	1-102-129-00	CERAMIC	0.01MF	10%	50V
C1907	1-126-964-11	ELECT	10MF	20%	50V
C1908	1-163-009-11	CERAMIC CHIP	0.001MF	10%	50V
C1909	1-163-009-11	CERAMIC CHIP	0.001MF	10%	50V

CONNECTOR

CN101	1-573-301-21	CONNECTOR, BOARD TO BOARD	20P
CN102	1-573-979-21	CONNECTOR, BOARD TO BOARD	11P
CN103 *	1-564-507-11	PLUG, CONNECTOR	4P
CN106 *	1-564-506-11	PLUG, CONNECTOR	3P

DIODE

D101	8-719-109-89	DIODE RD5.6ESB2
D103	8-719-991-33	DIODE 1SS133T-77
D104	8-719-991-33	DIODE 1SS133T-77
D105	8-719-991-33	DIODE 1SS133T-77
D106	8-719-991-33	DIODE 1SS133T-77

IC

IC1901	8-752-058-68	IC CXA1315M
IC1902	8-759-470-63	IC NJM2145M-TE2

CHIP CONDUCTOR

JR101	1-216-295-91	SHORT
JR102	1-216-295-91	SHORT
JR103	1-216-295-91	SHORT
JR105	1-216-295-91	SHORT

REF.NO.	PART NO.	DESCRIPTION	REMARK
---------	----------	-------------	--------

COIL

L102	1-410-470-11	INDUCTOR	10UH
L105	1-408-421-00	INDUCTOR	100UH

TRANSISTOR

Q101	8-729-119-78	TRANSISTOR 2SC2785-HFE
Q103	8-729-216-22	TRANSISTOR 2SA1162-G
Q104	8-729-216-22	TRANSISTOR 2SA1162-G
Q105	8-729-216-22	TRANSISTOR 2SA1162-G
Q1901	8-729-216-22	TRANSISTOR 2SA1162-G
Q1902	8-729-216-22	TRANSISTOR 2SA1162-G

RESISTOR

R101	1-216-065-91	RES, CHIP	4.7K	5%	1/10W
R102	1-216-083-00	RES, CHIP	27K	5%	1/10W
R103	1-216-689-11	RES, CHIP	39K	5%	1/10W
R104	1-216-045-00	RES, CHIP	680	5%	1/10W
R106	1-216-081-00	RES, CHIP	22K	5%	1/10W
R107	1-216-081-00	RES, CHIP	22K	5%	1/10W
R108	1-216-081-00	RES, CHIP	22K	5%	1/10W
R109	1-216-081-00	RES, CHIP	22K	5%	1/10W
R112	1-216-057-00	RES, CHIP	2.2K	5%	1/10W
R113	1-216-097-91	RES, CHIP	100K	5%	1/10W
R114	1-216-121-91	RES, CHIP	1M	5%	1/10W
R115	1-216-073-00	RES, CHIP	10K	5%	1/10W
R116	1-216-073-00	RES, CHIP	10K	5%	1/10W
R117	1-216-065-91	RES, CHIP	4.7K	5%	1/10W
R118	1-216-295-91	SHORT			
R121	1-216-049-91	RES, CHIP	1K	5%	1/10W
R1904	1-216-073-00	RES, CHIP	10K	5%	1/10W
R1905	1-216-073-00	RES, CHIP	10K	5%	1/10W
R2904	1-216-033-00	RES, CHIP	220	5%	1/10W
R2905	1-216-033-00	RES, CHIP	220	5%	1/10W
R2909	1-216-073-00	RES, CHIP	10K	5%	1/10W
R2910	1-216-073-00	RES, CHIP	10K	5%	1/10W
R2912	1-216-073-00	RES, CHIP	10K	5%	1/10W
R2913	1-216-073-00	RES, CHIP	10K	5%	1/10W
R2914	1-216-073-00	RES, CHIP	10K	5%	1/10W

TUNER

TU101 $\Delta$	8-598-430-00	TUNER, FSS	BTF-FA401
----------------	--------------	------------	-----------



REF.NO.	PART NO.	DESCRIPTION	REMARK
<b>B</b>			
		* A-1135-948-A B BOARD, COMPLETE (KV-32V40 only)	
		* A-1135-949-A B BOARD, COMPLETE (KV-34VL65C/32V65CND/34VL65/35V65CND/ 37VL65/37VL65C only)	
		* A-1135-950-A B BOARD, COMPLETE (KV-32S40/34SL40/34SL40C/32S45/34SL45/35S40/35S45/ 37SL45/34SL40T only)	
		<u>CAPACITOR</u>	
C3501	1-104-664-11	ELECT	47MF 20% 25V
C3502	1-163-231-11	CERAMIC CHIP	15PF 5% 50V
C3503	1-163-021-91	CERAMIC	0.01MF 10% 50V
C3504	1-126-964-11	ELECT	10MF 20% 50V
C3505	1-163-131-00	CERAMIC	390PF 5% 50V
C3506	1-163-021-91	CERAMIC CHIP	0.01MF 10% 50V
C3507	1-126-963-11	ELECT	4.7MF 20% 50V
C3508	1-163-021-91	CERAMIC CHIP	0.01MF 10% 50V
C3509	1-126-961-11	ELECT	2.2MF 20% 50V
C3510	1-163-229-11	CERAMIC CHIP	12PF 5% 50V
C3511	1-126-964-11	ELECT	10MF 20% 50V
C3512	1-163-133-00	CERAMIC CHIP	470PF 5% 50V
C3513	1-163-131-00	CERAMIC CHIP	390PF 5% 50V
C3514	1-163-009-11	CERAMIC CHIP	0.001MF 10% 50V
C3515	1-126-963-11	ELECT	4.7MF 20% 50V
C3516	1-163-089-00	CERAMIC CHIP	6PF 0.5PF 50V
C3517	1-163-021-91	CERAMIC CHIP	0.01MF 10% 50V
C3518	1-126-941-11	ELECT	470MF 20% 25V
C3519	1-163-021-91	CERAMIC CHIP	0.01MF 10% 50V
C3520	1-163-133-00	CERAMIC CHIP	470PF 5% 50V
C3521	1-104-664-11	ELECT	47MF 20% 25V
C3522	1-126-964-11	ELECT	10MF 20% 50V
C3523	1-163-021-91	CERAMIC CHIP	0.01MF 10% 50V
C3524	1-104-664-11	ELECT	47MF 20% 25V
C3525	1-163-021-91	CERAMIC CHIP	0.01MF 10% 50V
C3526	1-163-038-91	CERAMIC CHIP	0.1MF 25V
C3527	1-163-038-91	CERAMIC CHIP	0.1MF 25V
C3528	1-164-222-11	CERAMIC CHIP	0.22MF 25V
C3529	1-163-038-91	CERAMIC CHIP	0.1MF 25V
C3530	1-163-037-11	CERAMIC CHIP	0.022MF 10% 50V
C3532	1-164-004-11	CERAMIC CHIP	0.1MF 10% 25V
C3533	1-163-021-91	CERAMIC CHIP	0.01MF 10% 50V
C3534	1-163-021-91	CERAMIC CHIP	0.01MF 10% 50V
C3535	1-104-664-11	ELECT	47MF 20% 25V
C3536	1-126-964-11	ELECT	10MF 20% 50V

REF.NO.	PART NO.	DESCRIPTION	REMARK
C3537	1-163-231-11	CERAMIC CHIP	15PF 5% 50V
C3538	1-163-021-91	CERAMIC CHIP	0.01MF 10% 50V
C3539	1-163-021-91	CERAMIC CHIP	0.01MF 10% 50V
C3540	1-163-231-11	CERAMIC CHIP	15PF 5% 50V
C3541	1-104-664-11	ELECT	47MF 20% 25V
C3542	1-163-021-91	CERAMIC CHIP	0.01MF 10% 50V
C3543	1-104-664-11	ELECT	47MF 20% 25V
C3544	1-104-664-11	ELECT	47MF 20% 25V
C3545	1-164-004-11	CERAMIC CHIP	0.1MF 10% 25V
C3548	1-164-004-11	CERAMIC CHIP	0.1MF 10% 25V
C3549	1-126-964-11	ELECT	10MF 20% 50V
C3550	1-104-664-11	ELECT	47MF 20% 25V
C3551	1-163-021-91	CERAMIC CHIP	0.01MF 10% 50V
C3553	1-126-941-11	ELECT	470MF 20% 25V
C3556	1-128-551-11	ELECT	22MF 20% 25V
C3557	1-163-235-11	CERAMIC CHIP	22PF 5% 50V
		<u>CONNECTOR</u>	
		CN3502 * 1-573-978-21 CONNECTOR, BOARD TO BOARD 11P (KV-34VL65C/32V65CND/34VL65/35V65CND/37VL65/37VL65C only)	
		CN3561 * 1-691-616-21 CONNECTOR, BOARD TO BOARD 15P (KV-32V40/34VL65C/32V65CND/34VL65/35V65CND/37VL65/37VL65C only)	
		CN3570 * 1-764-816-11 CONNECTOR, BOARD TO BOARD 20P (KV-32S40/34SL40/34SL40C/32S45/34SL45/35S40/35S45/37SL45/34SL40T only)	
		<u>FILTER</u>	
FL3501	1-239-847-11	FILTER, LOW PASS	
FL3502	1-239-847-11	FILTER, LOW PASS	
FL3503	1-239-847-11	FILTER, LOW PASS	
		<u>IC</u>	
IC3501	8-759-065-82	IC MM1093ND	
IC3502	8-752-385-80	IC CXD2073S	
IC3503	8-759-231-53	IC TA7805S	
		<u>COIL</u>	
L3501	1-410-470-11	INDUCTOR 10UH	
L3502	1-410-466-41	INDUCTOR 4.7UH	
L3503	1-410-470-11	INDUCTOR 10UH	
L3504	1-410-470-11	INDUCTOR 10UH	
L3505	1-410-470-11	INDUCTOR 10UH	





# COMPLETE PARTS LISTING

REF.NO.	PART NO.	DESCRIPTION	REMARK	REF.NO.	PART NO.	DESCRIPTION	REMARK
<u>TRANSISTOR</u>				R3537	1-216-043-91	RES, CHIP	560 5% 1/10W
Q3501	8-729-422-27	TRANSISTOR 2SD601A-Q		R3538	1-216-071-00	RES, CHIP	8.2K 5% 1/10W
Q3502	8-729-216-22	TRANSISTOR 2SA1162-G		R3539	1-216-089-91	RES, CHIP	47K 5% 1/10W
Q3503	8-729-422-27	TRANSISTOR 2SD601A-Q		R3540	1-216-049-91	RES, CHIP	1K 5% 1/10W
Q3504	8-729-216-22	TRANSISTOR 2SA1162-G		R3541	1-216-081-00	RES, CHIP	22K 5% 1/10W
Q3505	8-729-422-27	TRANSISTOR 2SD601A-Q		R3542	1-216-041-00	RES, CHIP	470 5% 1/10W
Q3506	8-729-216-22	TRANSISTOR 2SA1162-G		R3543	1-216-035-00	RES, CHIP	270 5% 1/10W
Q3507	8-729-216-22	TRANSISTOR 2SA1162-G		R3544	1-216-057-00	RES, CHIP	2.2K 5% 1/10W
Q3509	8-729-216-22	TRANSISTOR 2SA1162-G		R3545	1-216-043-91	RES, CHIP	560 5% 1/10W
Q3510	8-729-422-27	TRANSISTOR 2SD601A-Q		R3546	1-216-071-00	RES, CHIP	8.2K 5% 1/10W
Q3516	8-729-216-22	TRANSISTOR 2SA1162-G		R3547	1-216-089-91	RES, CHIP	47K 5% 1/10W
Q3555	8-729-216-22	TRANSISTOR 2SA1162-G		R3548	1-216-081-00	RES, CHIP	22K 5% 1/10W
<u>RESISTOR</u>				R3549	1-216-049-91	RES, CHIP	1K 5% 1/10W
R3501	1-216-091-00	RES, CHIP	56K 5% 1/10W	R3550	1-208-774-11	RES, CHIP	470 0.50% 1/10W
R3502	1-216-081-00	RES, CHIP	22K 5% 1/10W	R3551	1-208-764-11	RES, CHIP	180 0.50% 1/10W
R3503	1-216-009-00	RES, CHIP	22 5% 1/10W	R3565	1-216-295-91	SHORT	
R3504	1-216-029-00	RES, CHIP	150 5% 1/10W	R3566	1-216-025-91	RES, CHIP	100 5% 1/10W
R3505	1-216-037-00	RES, CHIP	330 5% 1/10W	R3568	1-216-025-91	RES, CHIP	100 5% 1/10W
R3506	1-216-035-00	RES, CHIP	270 5% 1/10W	R3569	1-216-041-00	RES, CHIP	470 5% 1/10W
R3507	1-216-057-00	RES, CHIP	2.2K 5% 1/10W	R3578	1-216-081-00	RES, CHIP	22K 5% 1/10W
R3508	1-216-043-91	RES, CHIP	560 5% 1/10W	R3579	1-216-081-00	RES, CHIP	22K 5% 1/10W
R3509	1-216-075-00	RES, CHIP	12K 5% 1/10W	R3580	1-216-295-91	SHORT	
R3510	1-216-049-91	RES, CHIP	1K 5% 1/10W	R3596	1-216-057-00	RES, CHIP	2.2K 5% 1/10W
R3511	1-216-065-91	RES, CHIP	4.7K 5% 1/10W	R3597	1-216-057-00	RES, CHIP	2.2K 5% 1/10W
R3512	1-216-065-91	RES, CHIP	4.7K 5% 1/10W	R3599	1-208-774-11	RES, CHIP	470 0.50% 1/10W
R3513	1-216-041-00	RES, CHIP	470 5% 1/10W	<u>CRYSTAL</u>			
R3514	1-216-121-91	RES, CHIP	1M 5% 1/10W	X3501	1-567-505-11	OSCILLATOR, CRYSTAL	
R3515	1-216-077-00	RES, CHIP	15K 5% 1/10W				
R3516	1-216-037-00	RES, CHIP	330 5% 1/10W				
R3517	1-216-077-00	RES, CHIP	15K 5% 1/10W				
R3518	1-216-067-00	RES, CHIP	5.6K 5% 1/10W				
R3520	1-208-766-11	RES, CHIP	220 0.50% 1/10W				
R3521	1-208-766-11	RES, CHIP	220 0.50% 1/10W				
R3522	1-208-774-11	RES, CHIP	470 0.50% 1/10W				
R3523	1-208-778-11	RES, CHIP	680 0.50% 1/10W				
R3524	1-208-794-11	RES, CHIP	3.3K 0.50% 1/10W				
R3526	1-208-776-11	RES, CHIP	560 0.50% 1/10W				
R3527	1-208-824-11	RES, CHIP	56K 0.50% 1/10W				
R3529	1-216-295-91	SHORT					
R3531	1-216-295-91	SHORT					
R3534	1-216-295-91	SHORT					
R3535	1-216-295-91	SHORT					
R3536	1-216-057-00	RES, CHIP	2.2K 5% 1/10W				

**Note:**

The components identified with shading and a critical symbol (  $\Delta$  ) are critical for safety. Replace only with part number specified.

**Note:**

Les composants identifiés par un trame et une marque  $\Delta$  sont critiques pour la sécurité. Ne les remplacer que par une pièce portant le numéro spécifié.

## COMPLETE PARTS LISTING



REF.NO.	PART NO.	DESCRIPTION	REMARK
<b>C</b>			
	* A-1331-837-A	C BOARD, COMPLETE (KV-32V40/34VL65C/32V65CND/34VL65/32S40/34SL40/ 34SL40C/32S45/34SL45/34SL40T only)	
	* A-1331-843-A	C BOARD, COMPLETE (KV-35V65CND/37VL65/37VL65C/35S40/35S45/37SL45 only)	
	4-382-854-11	SCREW (M3X10), P, SW (+)	
<b>CAPACITOR</b>			
C1750	1-137-528-11	FILM	0.1MF 10% 250V
C1751	1-107-652-11	ELECT	10MF 20% 250V
C1790	1-102-129-00	CERAMIC CHIP	0.01MF 10% 50V
C1791	1-126-968-11	ELECT	100MF 20% 50V
C1792	1-102-108-00	CERAMIC CHIP	150PF 10% 50V
C1794	1-107-651-11	ELECT (KV-35V65CND/37VL65/37VL65C/35S40/35S45/37SL45 only)	4.7MF 20% 250V
C1795	1-102-074-00	CERAMIC CHIP	0.001MF 10% 50V
C1799	1-162-114-00	CERAMIC CHIP	0.0047MF 2KV
<b>CONNECTOR</b>			
CN1761*	1-564-509-11	PLUG, CONNECTOR 6P	
CN1764*	1-564-508-11	PLUG, CONNECTOR 5P	
CN1765	1-695-915-11	TAB (CONTACT)	
<b>DIODE</b>			
D1790	8-719-991-33	DIODE 1SS133T-77	
D1791	8-719-908-03	DIODE GP08D	
D1792	8-719-908-03	DIODE GP08D (KV-35V65CND/37VL65/37VL65C/35S40/35S45/37SL45 only)	
D1793	8-719-908-03	DIODE GP08D	
D1794	8-719-908-03	DIODE GP08D	
D1795	8-719-908-03	DIODE GP08D	
<b>IC</b>			
IC1701	8-759-535-08	IC TDA6108Q	
<b>JACK</b>			
J1761 $\Delta$	1-251-388-11	SOCKET, CRT	
<b>COIL</b>			
L1790	1-410-671-31	INDUCTOR 47UH	

REF.NO.	PART NO.	DESCRIPTION	REMARK
<b>TRANSISTOR</b>			
Q1790	8-729-119-76	TRANSISTOR	2SA1175-HFE
<b>RESISTOR</b>			
R1750	1-247-870-11	CARBON	43K 5% 1/4W
R1763	1-260-099-11	CARBON	1K 5% 1/2W
R1764	1-247-807-31	CARBON	100 5% 1/4W
R1773	1-260-099-11	CARBON	1K 5% 1/2W
R1774	1-247-807-31	CARBON	100 5% 1/4W
R1783	1-260-099-11	CARBON	1K 5% 1/2W
R1784	1-247-807-31	CARBON	100 5% 1/4W
R1788	1-216-349-00	METAL OXIDE	1 5% 1W F
R1789	1-249-437-11	CARBON	47K 5% 1/4W
R1790	1-216-378-11	METAL OXIDE (KV-32V40/34VL65C/32V65CND/34VL65/32S40/34SL40/ 34SL40C/32S45/34SL45/34SL40T only)	5.6 5% 2W F
R1790	1-216-369-00	METAL OXIDE (KV-35V65CND/37VL65/37VL65C/35S40/35S45/37SL45 only)	1 5% 2W F
R1792	1-247-815-91	CARBON	220 5% 1/4W
R1793	1-247-866-11	CARBON	30K 5% 1/4W
R1794	1-260-132-11	CARBON (KV-35V65CND/37VL65/37VL65C/35S40/35S45/37SL45 only)	560K 5% 1/2W
R1795	1-260-087-11	CARBON	100 5% 1/2W
R1796	1-216-378-11	METAL OXIDE (KV-32V40/34VL65C/32V65CND/34VL65/32S40/34SL40/ 34SL40C/32S45/34SL45/34SL40T only)	5.6 5% 2W F
R1796	1-216-369-00	METAL OXIDE (KV-35V65CND/37VL65/37VL65C/35S40/35S45/37SL45 only)	1 5% 2W F
R1797	1-260-123-11	CARBON	100K 5% 1/2W



# COMPLETE PARTS LISTING

**Note:**

The components identified with shading and a critical symbol (  $\Delta$  ) are critical for safety. Replace only with part number specified.

**Note:**

Les composants identifiés par un trame et une marque  $\Delta$  sont critiques pour la sécurité. Ne les remplacer que par une pièce portant le numéro spécifié.

REF.NO.	PART NO.	DESCRIPTION	REMARK
<b>G</b>			
*	A-1316-389-A	G BOARD, COMPLETE (KV-32V40/32S40/34SL40/32S45/34SL45 only)	
*	A-1316-390-A	G BOARD, COMPLETE (KV-34VL65C only)	
*	A-1316-391-A	G BOARD, COMPLETE (KV-32V65CND/34VL65 only)	
*	A-1316-395-A	G BOARD, COMPLETE (KV-34SL40C only)	
*	A-1316-396-A	G BOARD, COMPLETE KV-34SL40T only)	
*	A-1316-399-A	G BOARD, COMPLETE (KV-35S40/35S45/37SL45 only)	
*	A-1316-405-A	G BOARD, COMPLETE (KV-35V65CND/37VL65 only)	
*	A-1316-406-A	G BOARD, COMPLETE (KV-37VL65C only)	
	1-533-223-11	HOLDER, FUSE	
	4-382-854-11	SCREW(M3X10), P, SW (+)	
	<b>CAPACITOR</b>		
C601	1-136-346-21	FILM 0.22MF 20% 125V (KV-35S40/35S45/37SL45/35V65CND/37VL65/37VL65C only)	
C602	1-126-964-11	ELECT 10MF 20% 50V	
C603 $\Delta$	1-113-907-51	CERAMIC CHIP 0.0022MF 20% 250V (KV-34VL65C/34SL40C/37VL65C only)	
C603 $\Delta$	1-113-903-11	CERAMIC 0.001MF 20% 250V (KV-32V40/32S40/34SL40/32S45/34SL45/32V65CND/34VL65/ 35V65CND/37VL65/34SL40T/35S40/35S45/37SL45 only)	
C604 $\Delta$	1-136-346-21	FILM 0.22MF 20% 300V (KV-34SL40T only)	
C605 $\Delta$	1-136-311-11	FILM 0.47MF 20% 300V (KV-34VL65C/37VL65C/34SL40C only)	
C605 $\Delta$	1-136-346-21	FILM 0.22MF 20% 125V (KV-32V40/32S40/34SL40/32S45/34SL45/32V65CND/34VL65/ 35V65CND/37VL65/34SL40T/35S40/35S45/37SL45 only)	
C606 $\Delta$	1-117-894-11	ELECT 560MF 20% 250V	
C607 $\Delta$	1-117-894-11	ELECT 560MF 20% 250V	
C608	1-165-127-11	CERAMIC CHIP 470PF 10% 500V	
C609	1-136-175-00	FILM 0.68MF 5% 50V	
C610	1-136-175-00	FILM 0.68MF 5% 50V	
C611	1-136-169-00	FILM 0.22MF 5% 50V (KV-32V40/32S40/34SL40/32S45/34SL45/34SL40C/34SL40T/ 35S40/35S45/37VL65 only)	
C611	1-136-171-00	FILM 0.33MF 5% 50V (KV-34VL65C/32V65CND/34VL65/35V65CND/37VL65/ 37VL65C only)	

REF.NO.	PART NO.	DESCRIPTION	REMARK
C612	1-136-169-00	FILM 0.22MF 5% 50V (KV-32V40/32S40/34SL40/32S45/34SL45/34SL40C/34SL40T/ 35S40/35S45/37VL65 only)	
C612	1-136-171-00	FILM 0.33MF 5% 50V KV-34VL65C/32V65CND/34VL65/35V65CND/37VL65/37VL65C only)	
C613	1-164-646-11	CERAMIC CHIP 2200PF 10% 500V	
C615	1-129-722-00	FILM 0.047MF 5% 630V	
C616 $\Delta$	1-117-699-11	CERAMIC CHIP 0.001MF 20% 250V (KV-32V40/32S40/34SL40/32S45/34SL45/32V65CND/34VL65/34SL40T/ 35S40/35S45/37SL45/35V65CND/37VL65 only)	
C624	1-126-961-11	ELECT 2.2MF 20% 50V	
C628 $\Delta$	1-113-924-11	CERAMIC CHIP 0.0047MF 20% 250V	
C629 $\Delta$	1-107-679-91	ELECT 10MF 20% 450V (KV-34VL65C/34SL40C/37VL65C only)	
C629 $\Delta$	1-107-680-91	ELECT 22MF 20% 450V (KV-32V40/32S40/34SL40/32S45/34SL45/32V65CND/34VL65/34SL40T/ 35S40/35S45/37SL45/35V65CND/37VL65 only)	
C630	1-130-471-00	MYLAR 0.001MF 5% 50V	
C631	1-137-605-11	FILM 0.01MF 10% 250V	
C633	1-130-471-00	MYLAR 0.001MF 5% 50V	
C634	1-130-467-00	MYLAR 470PF 5% 50V	
C635	1-130-471-00	MYLAR 0.001MF 5% 50V	
C636	1-126-965-11	ELECT 22MF 20% 50V	
C637	1-126-940-11	ELECT 330MF 20% 25V	
C640 $\Delta$	1-113-924-11	CERAMIC CHIP 0.0047MF 20% 250V	
C641	1-128-550-11	ELECT 2200MF 20% 50V	
C643	1-107-641-11	ELECT 220MF 20% 160V	
C647	1-104-665-11	ELECT 100MF 20% 25V	
C648	1-126-965-11	ELECT 22MF 20% 50V (KV-37VL65C/34SL40C/34VL65C only)	
C650	1-104-664-11	ELECT 47MF 20% 25V	
C651	1-137-366-11	FILM 0.0022MF 5% 50V	
C652	1-106-351-00	MYLAR 0.0022MF 20% 200V	
C653	1-107-636-11	ELECT 10MF 20% 160V	
C654	1-164-625-11	CERAMIC CHIP 680PF 10% 500V	
C655	1-164-625-11	CERAMIC CHIP 680PF 10% 500V	
C656	1-164-625-11	CERAMIC CHIP 680PF 10% 500V	
C657	1-164-625-11	CERAMIC CHIP 680PF 10% 500V	
C660	1-126-767-11	ELECT 1000MF 20% 16V	
C690	1-164-645-11	CERAMIC CHIP 1000PF 10% 500V	
C691	1-164-645-11	CERAMIC CHIP 1000PF 10% 500V	

**Note:**

The components identified with shading and a critical symbol (  $\Delta$  ) are critical for safety. Replace only with part number specified.

**Note:**

Les composants identifiés per une trame et une marque  $\Delta$  sont critiques pour la securite. Ne les remplacer que par une piece portant le numero specifie.

**COMPLETE PARTS LISTING**

REF.NO.	PART NO.	DESCRIPTION	REMARK	REF.NO.	PART NO.	DESCRIPTION	REMARK
<b>CONNECTOR</b>							
CN601	1-573-963-11	PIN, CONNECTOR (PC BOARD) 3P (KV-35S40/35S45/37SL45/35V65CND/37VL65/37VL65C only)		D648	8-719-057-52	DIODE EZ0150AV1	
CN602	1-580-844-11	PIN, CONNECTOR (POWER) 2P		D649	8-719-510-02	DIODE D1NS4	
CN603	1-573-963-11	PIN, CONNECTOR (PC BOARD) 3P KV-35S40/35S45/37SL45/35V65CND/37VL65 only)		D650	8-719-510-02	DIODE D1NS4	
CN604	1-573-963-11	PIN, CONNECTOR (PC BOARD) 3P (KV-32V40/32S40/34SL40/32S45/34SL45/34VL65C/32VCND/34VL65/ 34SL40C/34SL40T/35S40/35S45/37SL45 only)		<b>FUSE</b>			
CN641	1-564-515-11	PLUG, CONNECTOR 12P		F601 $\Delta$	1-576-193-11	FUSE 6.3A/125V (KV-32V40/32S40/34SL40/32S45/34SL45/32V65CND/34VL65/ 34SL40T/35S40/35S45/37SL45/35V65CND/37VL65 only)	
CN643	1-508-784-00	PIN, CONNECTOR (5MM PITCH) 1P (KV-32V40/32S40/34SL40/32S45/34SL45/34VL65C/32VCND/34VL65/ 34SL40C/35S40/35S45/37SL45/35V65CND/35VL65/37VL65C only)		F601 $\Delta$	1-532-506-51	FUSE 6.3A/250V (KV-37VL65C/34SL40C/34VL65C only)	
<b>DIODE</b>				<b>FERRITE BEAD</b>			
D600 $\Delta$	8-719-991-33	DIODE 1SS133T-77		FB601	1-410-396-41	FERRITE	0.45UH
D601	8-719-991-33	DIODE 1SS133T-77		FB602	1-410-396-41	FERRITE	0.45UH
D602 $\Delta$	8-719-510-53	DIODE D4SB60L		FB603	1-410-396-41	FERRITE	0.45UH
D603	8-719-052-90	DIODE D1NL40-TA2 (KV-32V40/32S40/34SL40/32S45/34SL45/32V65CND/34VL65/ 34SL40T/35S40/35S45/37SL45/35V65CND/37VL65 only)		FB604	1-410-396-41	FERRITE	0.45UH
D604	8-719-052-90	DIODE D1NL40-TA2 (KV-32V40/32S40/34SL40/32S45/34SL45/32V65CND/34VL65/ 34SL40T/35S40/35S45/37SL45/35V65CND/37VL65 only)		FB641	1-410-397-21	FERRITE	1.1UH
D612	8-719-991-33	DIODE 1SS133T-77		FB642	1-410-397-21	FERRITE	1.1UH
D613	8-719-991-33	DIODE 1SS133T-77		FB645	1-410-397-21	FERRITE	1.1UH
D614	8-719-991-33	DIODE 1SS133T-77		FB647	1-410-397-21	FERRITE	1.1UH
D621 $\Delta$	8-719-911-55	DIODE U05G		<b>IC</b>			
D622 $\Delta$	8-719-911-55	DIODE U05G		IC601 $\Delta$	8-729-041-12	TRANSISTOR	MX0841AB-F
D623	8-719-055-18	DIODE ERA22-08TP3		IC622	8-759-450-47	IC	BA05T
D624	8-719-991-33	DIODE 1SS133T-77		IC641	8-759-198-03	IC	PQ09RF21
D625	8-719-991-33	DIODE 1SS133T-77 (KV-32V40/32S40/34SL40/32S45/34SL45/34VL65C/32V65CND/ 34VL65/34SL40C/34SL40T/35S40/35S45/37SL45/37VL65C only)		IC643	8-749-012-13	IC	DM-58
D626	8-719-109-93	DIODE RD6.2ESB2		<b>COIL</b>			
D627	8-719-510-48	DIODE D1N20R		L642	1-412-529-11	INDUCTOR	22UH
D628	8-719-063-70	DIODE D1NL20U		<b>TRANSISTOR</b>			
D631	8-719-109-69	DIODE RD3.6ES-B2 (KV-37VL65C/34SL40C/34VL65C only)		Q621 $\Delta$	8-729-044-30	TRANSISTOR	2SK2845-LB102
D632	8-719-063-70	DIODE D1NL20U-TA2 (KV-37VL65C/34SL40C/34VL65C only)		Q622	8-729-119-78	TRANSISTOR	2SC2785-HFE
D641	8-719-052-92	DIODE D10SBS4F		Q644	8-729-119-78	TRANSISTOR	2SC2785-HFE
D642 $\Delta$	8-719-510-12	DIODE D10SC4M		Q645	8-729-119-76	TRANSISTOR	2SA1175-HFE
D643	8-719-028-45	DIODE D2L20U		Q646	8-729-119-76	TRANSISTOR	2SA1175-HFE
D644	8-719-028-45	DIODE D2L20U		Q647	8-729-119-78	TRANSISTOR	2SC2785-HFE
D645	8-719-028-45	DIODE D2L20U		Q648	8-729-922-39	TRANSISTOR	2SD2144S-V
D646	8-719-028-45	DIODE D2L20U		<b>RESISTOR</b>			
D647	8-719-063-70	DIODE D1NL20U		R603 $\Delta$	1-219-776-11	CARBON	2.2M 10% 1/2W (KV-32V40/32S40/34SL40/32S45/34SL45/32V65CND/ 34VL65/34SL40T/35S40/35S45/37SL45/35V65CND/37VL65 only)
				R603 $\Delta$	1-247-289-00	CARBON	8.2M 5% 1W (KV-34VL65C/34SL40C/37VL65C only)
				R607 $\Delta$	1-202-933-61	FUSIBLE	0.1 10% 1/2W F
				R608 $\Delta$	1-216-373-11	METAL	2.2 5% 2W F



# COMPLETE PARTS LISTING

### Note:

The components identified with shading and a critical symbol (  $\Delta$  ) are critical for safety. Replace only with part number specified.

### Note:

Les composants identifiés par un trame et une marque  $\Delta$  sont critiques pour la sécurité. Ne les remplacer que par une pièce portant le numéro spécifié.

REF.NO.	PART NO.	DESCRIPTION	REMARK
R611	$\Delta$ 1-216-373-11	METAL 2.2 5%	2W F
R612	1-215-903-11	METAL 68K 5%	2W F
R613	1-215-903-11	METAL 68K 5%	2W F
R614	1-215-903-11	METAL 68K 5%	2W F
R615	1-215-903-11	METAL 68K 5%	2W F
R618	1-249-425-11	CARBON 4.7K 5%	1/4W
R619	1-249-425-11	CARBON 4.7K 5%	1/4W
R620	1-249-425-11	CARBON 4.7K 5%	1/4W
R621	1-249-429-11	CARBON 10K 5%	1/4W
R622	1-247-863-91	CARBON 22K 5%	1/4W
R623	$\Delta$ 1-205-943-11	CEMENTED 1 5%	20W
		(KV-32V40/32S40/34SL40/32S45/34SL45/32V65CND/34VL65/34SL40T/35S40/35S45/37SL45/35V65CND/37VL65 only)	
R623	$\Delta$ 1-243-032-11	CEMENTED 3.9 5%	20W
		(KV-34VL65C/34SL40C/37VL65C only)	
R624	1-260-131-11	CARBON 470K 5%	1/2W
R625	1-260-131-11	CARBON 470K 5%	1/2W
R626	1-249-425-11	CARBON 4.7K 5%	1/4W
R627	$\Delta$ 1-220-797-11	CEMENTED 0.47 5%	10W
		(KV-32V40/32S40/34SL40/32S45/34SL45/32V65CND/34VL65/34SL40T/35S40/35S45/37SL45/35V65CND/37VL65 only)	
R628	1-240-205-91	CARBON 22M 5%	1/2W
R629	$\Delta$ 1-220-797-11	CEMENTED 0.47 5%	10W
		(KV-32V40/32S40/34SL40/32S45/34SL45/32V65CND/34VL65/34SL40T/35S40/35S45/37SL45/35V65CND/37VL65 only)	
R630	1-215-421-00	METAL 1K 1%	1/4W
		(KV-34VL65C/37VL65C/34SL40C only)	
R631	1-215-445-00	METAL 10K 1%	1/4W
		(KV-34VL65C/37VL65C/34SL40C only)	
R632	1-249-421-11	CARBON 2.2K 5%	1/4W
R633	1-249-429-11	CARBON 10K 5%	1/4W
R634	1-249-437-11	CARBON 47K 5%	1/4W
R635	1-247-791-91	CARBON 22 5%	1/4W
R636	1-249-415-11	CARBON 680 5%	1/4W
R637	1-260-302-51	CARBON 6.8 5%	1/2W
R638	1-249-413-11	CARBON 470 5%	1/4W
R639	$\Delta$ 1-249-389-11	CARBON 4.7 5%	1/4W F
R640	1-215-485-00	METAL 470K 1%	1/4W
R640	1-247-895-91	CARBON 470K 5%	1/4W
R641	1-247-843-11	CARBON 3.3K 5%	1/4W
R642	1-247-843-11	CARBON 3.3K 5%	1/4W
R643	1-249-387-11	CARBON 3.3 5%	1/4W F
R648	1-247-887-00	CARBON 220K 5%	1/4W
R649	1-249-425-11	CARBON 4.7K 5%	1/4W F
R659	1-249-429-11	CARBON 10K 5%	1/4W
R660	$\Delta$ 1-249-393-11	CARBON 10 5%	1/4W F
R661	1-249-419-11	CARBON 1.5K 5%	1/4W F
R666	$\Delta$ 1-249-377-11	CARBON 0.47 5%	1/4W F

REF.NO.	PART NO.	DESCRIPTION	REMARK
R667	$\Delta$ 1-249-377-11	CARBON 0.47 5%	1/4W F
R668	$\Delta$ 1-249-377-11	CARBON 0.47 5%	1/4W F
R670	$\Delta$ 1-249-377-11	CARBON 0.47 5%	1/4W F
R671	$\Delta$ 1-249-377-11	CARBON 0.47 5%	1/4W F
R672	$\Delta$ 1-249-377-11	CARBON 0.47 5%	1/4W F

### RELAY

RY600	$\Delta$ 1-755-266-11	RELAY, AC POWER	
RY601	$\Delta$ 1-755-146-11	RELAY, AC POWER	

### TRANSFORMER

T601	$\Delta$ 1-426-717-11	TRANSFORMER, LINE FILTER (LFT)	
		(KV-32V40/32S40/34SL40/32S45/34SL45/32V65CND/34VL65/34SL40T/35S40/35S45/37SL45/35V65CND/37VL65 only)	
T602	$\Delta$ 1-426-717-11	TRANSFORMER, LINE FILTER (LFT)	
T603	$\Delta$ 1-429-992-21	TRANSFORMER, CONVERTER (PRT)	
T605	$\Delta$ 1-429-415-11	TRANSFORMER, CONVERTER (PIT)	
		(KV-32V40/32S40/34SL40/32S45/34SL45/34SL40C/34SL40T/35S40/35S45/37SL45 only)	
T605	$\Delta$ 1-431-467-11	TRANSFORMER, CONVERTER (PIT)	
		(KV-34VL65C/32V65CND/34VL65/35V65CND/37VL65/37VL65C only)	
T621	$\Delta$ 1-431-852-11	TRANSFORMER, CONVEYBER (SRT)	

### THERMISTOR

THP601	$\Delta$ 1-809-539-11	THERMISTOR, POSITIVE	
		(KV-32V40/32S40/34SL40/32S45/34SL45/32V65CND/34VL65/35S40/35S45/37SL45/35V65CND/37VL65 only)	
THP601	$\Delta$ 1-809-827-11	THERMISTOR, POSITIVE	
		(KV-34VL65C/34SL40C/34SL40T/37VL65C only)	

### VARISTOR

VDR602	1-801-074-41	VARISTOR ERZV10D271	
		(KV-32V40/32S40/34SL40/32S45/34SL45/32V65CND/34VL65/34SL40T/35S40/35S45/37SL45/35V65CND/37VL65 only)	
VDR602	1-809-267-41	VARISTOR ERZV10D471	
		(KV-34VL65C/34SL40C/37VL65C only)	



REF.NO.	PART NO.	DESCRIPTION	REMARK			REF.NO.	PART NO.	DESCRIPTION	REMARK	
<div style="border: 1px solid black; padding: 2px; display: inline-block; font-weight: bold; font-size: 1.2em;">HS</div>						<u>SWITCH</u>				
						S2101	1-692-431-21	SWITCH, TACTILE (KV-32S45/34SL45 only)		
						S2102	1-692-431-21	SWITCH, TACTILE (KV-32S45/34SL45 only)		
						S2103	1-692-431-21	SWITCH, TACTILE (KV-32S45/34SL45 only)		
S2104	1-692-431-21	SWITCH, TACTILE (KV-32S45/34SL45 only)								
S2105	1-692-431-21	SWITCH, TACTILE (KV-32S45/34SL45 only)								
S2106	1-692-431-21	SWITCH, TACTILE (KV-32S45/34SL45 only)								
S2107	1-692-431-21	SWITCH, TACTILE (KV-32S45/34SL45 only)								
						<u>CAPACITOR</u>				
C2168	1-104-665-11	ELECT (KV-32S45/34SL45 only)	100MF	20%	25V					
C2169	1-126-959-11	ELECT (KV-32S45/34SL45 only)	0.47MF	20%	50V					
						<u>CONNECTOR</u>				
CN2101	1-564-524-11	PLUG, CONNECTOR 9P								
CN2102	1-564-523-11	PLUG, CONNECTOR 8P (KV-32V40/34VL65C/32V65CND/34VL65/35V65CND/ 37VL65/37VL65C/32S45/34SL45 only)								
						<u>DIODE</u>				
D2106	1-810-039-11	LED UNIT (KV-32S45/34SL45 only)								
						<u>IC</u>				
IC2103	8-742-014-11	HYB IC SBX1981-51 (KV-32S45/34SL45 only)								
						<u>RESISTOR</u>				
R2109	1-216-033-00	RES, CHIP (KV-32S45/34SL45 only)	220	5%	1/10W					
R2110	1-216-033-00	RES, CHIP (KV-32S45/34SL45 only)	220	5%	1/10W					
R2159	1-216-047-91	RES, CHIP (KV-32S45/34SL45 only)	820	5%	1/10W					
R2160	1-216-049-91	RES, CHIP (KV-32S45/34SL45 only)	1K	5%	1/10W					
R2161	1-216-055-00	RES, CHIP (KV-32S45/34SL45 only)	1.8K	5%	1/10W					
R2162	1-216-065-91	RES, CHIP (KV-32S45/34SL45 only)	4.7K	5%	1/10W					
R2163	1-216-073-00	RES, CHIP (KV-32S45/34SL45 only)	10K	5%	1/10W					



# COMPLETE PARTS LISTING

REF.NO.	PART NO.	DESCRIPTION	REMARK	REF.NO.	PART NO.	DESCRIPTION	REMARK
<b>HV</b>				<b>JACK</b>			
	* A-1372-505-A	HV BOARD, COMPLETE		J2231	1-691-110-11	JACK, PIN 3P	
		(KV-32V40 only)				(KV-34VL65C/32V65CND/34VL65/35V65CND/37VL65/37VL65C only)	
	* A-1372-509-A	HV BOARD, COMPLETE		J2232	1-694-063-11	TERMINAL, S	
		(KV-34VL65C/32V65CND/34VL65/35V65CND/37VL65/37VL65C only)				(KV-34VL65C/32V65CND/34VL65/35V65CND/37VL65/37VL65C only)	
	* A-1372-523-A	HV BOARD, COMPLETE		<b>RESISTOR</b>			
		(KV-35S40/35S45/37SL45 only)		R2009	1-216-033-00	RES, CHIP	220 5% 1/10W
<b>CAPACITOR</b>				R2010	1-216-033-00	RES, CHIP	220 5% 1/10W
C2068	1-104-665-11	ELECT	100MF 20% 25V	R2059	1-216-047-91	RES, CHIP	820 5% 1/10W
C2070	1-165-319-11	CERAMIC CHIP	0.1MF 50V			(KV-35S40/35S45/37SL45 only)	
C2231	1-163-031-11	CERAMIC CHIP	0.01MF 50V	R2060	1-216-049-91	RES, CHIP	1K 5% 1/10W
		(KV-34VL65C/32V65CND/34VL65/35V65CND/37VL65/37VL65C only)				(KV-32V40 only)	
C2232	1-136-161-00	FILM	0.047MF 5% 50V			(KV-35S40/35S45/37SL45 only)	
		(KV-34VL65C/32V65CND/34VL65/35V65CND/37VL65/37VL65C only)		R2061	1-216-055-00	RES, CHIP	1.8K 5% 1/10W
C2233	1-136-161-00	FILM	0.047MF 5% 50V			(KV-32V40 only)	
		(KV-34VL65C/32V65CND/34VL65/35V65CND/37VL65/37VL65C only)				(KV-35S40/35S45/37SL45 only)	
		(KV-32V40 only)		R2062	1-216-065-91	RES, CHIP	4.7K 5% 1/10W
C2234	1-126-960-11	ELECT	1MF 20% 50V			(KV-32V40 only)	
		(KV-34VL65C/32V65CND/34VL65/35V65CND/37VL65/37VL65C only)				(KV-35S40/35S45/37SL45 only)	
		(KV-32V40 only)		R2063	1-216-073-00	RES, CHIP	10K 5% 1/10W
C2235	1-126-960-11	ELECT	1MF 20% 50V			(KV-32V40 only)	
		(KV-34VL65C/32V65CND/34VL65/35V65CND/37VL65/37VL65C only)				(KV-35S40/35S45/37SL45 only)	
		(KV-32V40 only)		R2231	1-216-022-00	RES, CHIP	75 5% 1/10W
<b>CONNECTOR</b>						(KV-34VL65C/32V65CND/34VL65/35V65CND/37VL65/37VL65C only)	
CN2002*	1-564-518-11	PLUG, CONNECTOR 3P		R2232	1-216-022-00	RES, CHIP	75 5% 1/10W
		(KV-34VL65C/32V65CND/34VL65/35V65CND/37VL65/37VL65C only)				(KV-34VL65C/32V65CND/34VL65/35V65CND/37VL65/37VL65C only)	
<b>DIODE</b>				R2233	1-216-065-91	RES, CHIP	4.7K 5% 1/10W
D2006	1-810-039-11	LED UNIT				(KV-34VL65C/32V65CND/34VL65/35V65CND/37VL65/37VL65C only)	
D2231	8-719-110-17	DIODE RD10ESB2		R2235	1-216-022-00	RES, CHIP	75 5% 1/10W
		(KV-34VL65C/32V65CND/34VL65/35V65CND/37VL65/37VL65C only)				(KV-32V40 only)	
D2232	8-719-110-17	DIODE RD10ESB2				(KV-34VL65C/32V65CND/34VL65/35V65CND/37VL65/37VL65C only)	
		(KV-34VL65C/32V65CND/34VL65/35V65CND/37VL65/37VL65C only)		R2236	1-216-113-00	RES, CHIP	470K 5% 1/10W
D2233	8-719-110-17	DIODE RD10ESB2				(KV-32V40 only)	
		(KV-34VL65C/32V65CND/34VL65/35V65CND/37VL65/37VL65C only)				(KV-34VL65C/32V65CND/34VL65/35V65CND/37VL65/37VL65C only)	
D2236	8-719-110-17	DIODE RD10ESB2		R2237	1-216-065-91	RES, CHIP	4.7K 5% 1/10W
		(KV-34VL65C/32V65CND/34VL65/35V65CND/37VL65/37VL65C only)				(KV-32V40 only)	
		(KV-34VL65C/32V65CND/34VL65/35V65CND/37VL65/37VL65C only)		R2238	1-216-113-00	RES, CHIP	470K 5% 1/10W
		(KV-34VL65C/32V65CND/34VL65/35V65CND/37VL65/37VL65C only)				(KV-32V40 only)	
		(KV-32V40 only)				(KV-34VL65C/32V65CND/34VL65/35V65CND/37VL65/37VL65C only)	
<b>IC</b>				R2239	1-216-065-91	RES,CHIP	4.7K 5% 1/10W
IC2003	8-742-014-11	HYB IC SBX1981-51				(KV-32V40 only)	
						(KV-34VL65C/32V65CND/34VL65/35V65CND/37VL65/37VL65C only)	
				<b>SWITCH</b>			



<u>REF.NO.</u>	<u>PART NO.</u>	<u>DESCRIPTION</u>	<u>REMARK</u>	<u>REF.NO.</u>	<u>PART NO.</u>	<u>DESCRIPTION</u>	<u>REMARK</u>
S2001	1-692-431-21	SWITCH, TACTILE (KV-32V40 only) (KV-35S40/35S45/37SL45 only)					
S2002	1-692-431-21	SWITCH, TACTILE (KV-32V40 only) (KV-35S40/35S45/37SL45 only)					
S2003	1-692-431-21	SWITCH, TACTILE (KV-32V40 only) (KV-35S40/35S45/37SL45 only)					
S2004	1-692-431-21	SWITCH, TACTILE (KV-32V40 only) (KV-35S40/35S45/37SL45 only)					
S2005	1-692-431-21	SWITCH, TACTILE (KV-32V40 only) (KV-35S40/35S45/37SL45 only)					
S2006	1-692-431-21	SWITCH, TACTILE (KV-32V40 only) (KV-35S40/35S45/37SL45 only)					
S2007	1-692-431-21	SWITCH, TACTILE (KV-32V40 only) (KV-35S40/35S45/37SL45 only)					





# COMPLETE PARTS LISTING

REF.NO.	PART NO.	DESCRIPTION	REMARK
<b>K</b>			
	<b>* A-1380-585-A K BOARD, COMPLETE</b>		
	(KV-34VL65C/32V65CND/34VL65/35V65CND/37VL65/37VL65C only)		
	* 1-556-945-21	CABLE, P-P	
	* 1-557-056-31	CABLE, P-P	
	* 4-052-905-01	V5/6 BRACKET	
	8-598-414-00	ANTENNA SWITCH AS-2F	
	<b>CAPACITOR</b>		
C1461	1-126-960-11	ELECT	1MF 20% 50V
C1462	1-126-960-11	ELECT	1MF 20% 50V
C1463	1-126-961-11	ELECT	2.2MF 20% 50V
C1464	1-104-666-11	ELECT	220MF 20% 25V
C1465	1-126-960-11	ELECT	1MF 20% 50V
C1467	1-104-664-11	ELECT	47MF 20% 25V
C1468	1-126-960-11	ELECT	1MF 20% 50V
C1470	1-104-666-11	ELECT	220MF 20% 25V
C1471	1-136-169-00	FILM	0.22MF 5% 50V
C1472	1-136-173-00	FILM	0.47MF 5% 50V
C1473	1-128-550-11	ELECT	2200MF 20% 50V
C1474	1-136-169-00	FILM	0.22MF 5% 50V
C1475	1-128-550-11	ELECT	2200MF 20% 50V
C1476	1-128-550-11	ELECT	2200MF 20% 50V
C1477	1-104-665-11	ELECT	100MF 20% 25V
C1478	1-126-969-11	ELECT	220MF 20% 50V
	<b>CONNECTOR</b>		
CN1461	* 1-564-508-11	PLUG, CONNECTOR 5P	
CN1462	* 1-564-507-11	PLUG, CONNECTOR 4P	
CN1463	* 1-564-508-11	PLUG, CONNECTOR 5P	
	<b>DIODE</b>		
D1461	8-719-991-33	DIODE 1SS133T-77	
D1462	8-719-979-50	DIODE EGP30D	
D1463	8-719-991-33	DIODE 1SS133T-77	
D1464	8-719-991-33	DIODE 1SS133T-77	
D1465	8-719-991-33	DIODE 1SS133T-77	
D1466	8-719-979-50	DIODE EGP30D	
D1467	8-719-979-50	DIODE EGP30D	

REF.NO.	PART NO.	DESCRIPTION	REMARK
	<b>IC</b>		
IC1461	8-759-089-13	IC TDA7262	
	<b>IC LINK</b>		
PS1461	1-532-984-11	LINK, IC 2A/90V	
	<b>TRANSISTOR</b>		
Q1461	8-729-422-27	TRANSISTOR 2SD601A-Q	
Q1462	8-729-216-22	TRANSISTOR 2SA1162-G	
Q1463	8-729-900-53	TRANSISTOR DTC114EK	
Q1464	8-729-900-53	TRANSISTOR DTC114EK	
Q1465	8-729-216-22	TRANSISTOR 2SA1162-G	
	<b>RESISTOR</b>		
R1461	1-216-061-00	RES, CHIP	3.3K 5% 1/10W
R1462	1-216-073-00	RES, CHIP	10K 5% 1/10W
R1464	1-216-061-00	RES, CHIP	3.3K 5% 1/10W
R1465	1-216-065-91	RES, CHIP	4.7K 5% 1/10W
R1466	1-216-089-91	RES, CHIP	47K 5% 1/10W
R1467	1-216-073-00	RES, CHIP	10K 5% 1/10W
R1469	1-249-385-11	CARBON	2.2 5% 1/4W F
R1470	1-249-385-11	CARBON	2.2 5% 1/4W F
R1471	1-216-089-91	RES, CHIP	47K 5% 1/10W
R1472	1-216-041-00	RES, CHIP	470 5% 1/10W
R1473	1-216-113-00	RES, CHIP	470K 5% 1/10W
R1474	1-216-077-00	RES, CHIP	15K 5% 1/10W
R1475	1-216-077-00	RES, CHIP	15K 5% 1/10W
R1476	1-247-791-91	CARBON	22 5% 1/4W
R1477	1-249-417-11	CARBON	1K 5% 1/4W F
R1478	1-247-791-91	CARBON	22 5% 1/4W
R1479	1-249-417-11	CARBON	1K 5% 1/4W F
R1480	1-249-421-11	CARBON	2.2K 5% 1/4W
R1481	1-249-421-11	CARBON	2.2K 5% 1/4W
R1482	1-216-073-00	RES, CHIP	10K 5% 1/10W
R1483	1-216-073-00	RES, CHIP	10K 5% 1/10W
R1487	1-216-025-91	RES, CHIP	100 5% 1/10W
R1488	1-216-073-00	RES, CHIP	10K 5% 1/10W



REF.NO.	PART NO.	DESCRIPTION	REMARK
<b>P</b>	* A-1195-138-A P BOARD, COMPLETE (KV-34VL65C/32V65CND/34VL65/35V65CND/37VL65/37VL65C only) (KV-32S45/34SL45/35S45/37SL45 only)		
	<u>CAPACITOR</u>		
C3319	1-163-031-11	CERAMIC CHIP 0.01MF	50V
C3320	1-126-960-11	ELECT 1MF	20% 50V
C3321	1-163-231-11	CERAMIC CHIP 15PF	5% 50V
C3322	1-163-231-11	CERAMIC CHIP 15PF	5% 50V
C3323	1-163-031-11	CERAMIC CHIP 0.01MF	50V
C3324	1-104-664-11	ELECT 47MF	20% 16V
C3328	1-104-664-11	ELECT 47MF	20% 16V
C3329	1-104-664-11	ELECT 47MF	20% 16V
C3330	1-163-031-11	CERAMIC CHIP 0.01MF	50V
C3331	1-104-664-11	ELECT 47MF	20% 16V
C3332	1-104-664-11	ELECT 47MF	20% 25V
C3334	1-163-031-11	CERAMIC CHIP 0.01MF	50V
C3335	1-163-038-91	CERAMIC CHIP 0.1MF	25V
C3336	1-163-038-91	CERAMIC CHIP 0.1MF	25V
C3337	1-164-005-11	CERAMIC CHIP 0.47MF	25V
C3340	1-163-031-11	CERAMIC CHIP 0.01MF	50V
C3346	1-163-251-11	CERAMIC CHIP 100PF	5% 50V
C3347	1-126-960-11	ELECT 1MF	20% 50V
C3348	1-104-664-11	ELECT 47MF	20% 16V
C3349	1-163-121-00	CERAMIC CHIP 150PF	5% 50V
C3350	1-164-004-11	CERAMIC CHIP 0.1MF	10% 25V
C3352	1-163-031-11	CERAMIC CHIP 0.01MF	50V
C3353	1-164-346-11	CERAMIC CHIP 1MF	16V
C3354	1-163-031-11	CERAMIC CHIP 0.01MF	50V
C3355	1-126-925-11	ELECT 470MF	20% 10V
C3356	1-163-038-91	CERAMIC CHIP 0.1MF	25V
C3357	1-163-038-91	CERAMIC CHIP 0.1MF	25V
C3358	1-163-038-91	CERAMIC CHIP 0.1MF	25V
C3359	1-163-038-91	CERAMIC CHIP 0.1MF	25V
C3360	1-163-038-91	CERAMIC CHIP 0.1MF	25V
C3361	1-163-038-91	CERAMIC CHIP 0.1MF	25V
C3362	1-126-925-11	ELECT 470MF	20% 10V
C3363	1-163-031-11	CERAMIC CHIP 0.01MF	50V
C3364	1-163-231-11	CERAMIC CHIP 15PF	5% 50V
C3365	1-163-133-00	CERAMIC CHIP 470PF	5% 50V
C3366	1-164-005-11	CERAMIC CHIP 0.47MF	25V
C3367	1-126-963-11	ELECT 4.7MF	20% 50V
C3368	1-164-005-11	CERAMIC CHIP 0.47MF	25V

REF.NO.	PART NO.	DESCRIPTION	REMARK
C3369	1-163-251-11	CERAMIC CHIP 100PF	5% 50V
C3370	1-164-346-11	CERAMIC CHIP 1MF	16V
C3371	1-163-017-00	CERAMIC CHIP 0.0047MF	10% 50V
C3372	1-164-005-11	CERAMIC CHIP 0.47MF	25V
<u>CONNECTOR</u>			
CN3301*	1-764-816-11	CONNECTOR, BOARD TO BOARD	20P
<u>IC</u>			
IC3302	8-759-231-53	IC TA7805S	
IC3303	8-759-533-89	IC SDA9288XE-GEG-B121	
IC3304	8-752-086-80	IC CXA2019AQ-T4	
<u>COIL</u>			
L3301	1-408-607-31	INDUCTOR 22UH	
L3302	1-410-473-11	INDUCTOR 18UH	
L3303	1-408-612-31	INDUCTOR 56UH	
<u>TRANSISTOR</u>			
Q3301	8-729-422-27	TRANSISTOR 2SD601A-Q	
Q3302	8-729-216-22	TRANSISTOR 2SA1162-G	
Q3306	8-729-216-22	TRANSISTOR 2SA1162-G	
Q3310	8-729-422-27	TRANSISTOR 2SD601A-Q	
Q3312	8-729-216-22	TRANSISTOR 2SA1162-G	
Q3314	8-729-216-22	TRANSISTOR 2SA1162-G	
<u>RESISTOR</u>			
R3301	1-216-295-91	SHORT	
R3302	1-216-295-91	SHORT	
R3305	1-216-057-00	RES, CHIP 2.2K	5% 1/10W
R3312	1-216-037-00	RES, CHIP 330	5% 1/10W
R3313	1-216-295-91	SHORT	
R3314	1-216-049-91	RES, CHIP 1K	5% 1/10W
R3323	1-216-065-91	RES, CHIP 4.7K	5% 1/10W
R3329	1-216-069-00	RES, CHIP 6.8K	5% 1/10W
R3330	1-216-295-91	SHORT	
R3337	1-216-033-00	RES, CHIP 220	5% 1/10W
R3338	1-216-033-00	RES, CHIP 220	5% 1/10W
R3339	1-216-049-91	RES, CHIP 1K	5% 1/10W
R3340	1-216-041-00	RES, CHIP 470	5% 1/10W
R3341	1-216-057-00	RES, CHIP 2.2K	5% 1/10W
R3342	1-216-057-00	RES, CHIP 2.2K	5% 1/10W
R3343	1-216-049-91	RES, CHIP 1K	5% 1/10W
R3346	1-216-049-91	RES, CHIP 1K	5% 1/10W
R3351	1-216-295-91	SHORT	
R3352	1-216-049-91	RES, CHIP 1K	5% 1/10W



# COMPLETE PARTS LISTING

<u>REF.NO.</u>	<u>PART NO.</u>	<u>DESCRIPTION</u>		<u>REMARK</u>		<u>REF.NO.</u>	<u>PART NO.</u>	<u>DESCRIPTION</u>	<u>REMARK</u>
R3358	1-216-047-91	RES, CHIP	820	5%	1/10W				
R3359	1-216-047-91	RES, CHIP	820	5%	1/10W				
R3360	1-216-053-00	RES, CHIP	1.5K	5%	1/10W				
R3361	1-216-053-00	RES, CHIP	1.5K	5%	1/10W				
R3362	1-216-041-00	RES, CHIP	470	5%	1/10W				
R3363	1-216-041-00	RES, CHIP	470	5%	1/10W				
R3364	1-216-041-00	RES, CHIP	470	5%	1/10W				
R3375	1-216-041-00	RES, CHIP	470	5%	1/10W				
R3376	1-216-071-00	RES, CHIP	8.2K	5%	1/10W				
R3377	1-216-073-00	RES, CHIP	10K	5%	1/10W				
R3378	1-208-786-11	RES, CHIP	1.5K	0.50%	1/10W				
R3379	1-216-077-00	RES, CHIP	15K	5%	1/10W				
R3380	1-216-025-91	RES, CHIP	100	5%	1/10W				
R3381	1-216-025-91	RES, CHIP	100	5%	1/10W				
R3382	1-216-057-00	RES, CHIP	2.2K	5%	1/10W				
R3383	1-216-025-91	RES, CHIP	100	5%	1/10W				
R3384	1-216-033-00	RES, CHIP	220	5%	1/10W				
R3385	1-216-109-00	RES, CHIP	330K	5%	1/10W				
R3386	1-216-295-91	SHORT							
R3387	1-216-295-91	SHORT							
R3388	1-216-295-91	SHORT							
R3393	1-216-025-91	RES, CHIP	100	5%	1/10W				
R3394	1-216-025-91	RES, CHIP	100	5%	1/10W				
R3395	1-216-061-00	RES, CHIP	3.3K	5%	1/10W				
<u>CRYSTAL</u>									
X3302	1-760-095-21	VIBRATOR, CRYSTAL							
X3303	1-577-611-11	OSCILLATOR, CERAMIC							
X3304	1-567-505-11	OSCILLATOR, CRYSTAL							



REF.NO.	PART NO.	DESCRIPTION	REMARK	REF.NO.	PART NO.	DESCRIPTION	REMARK
<div style="border: 1px solid black; padding: 2px; display: inline-block; font-weight: bold;">UV</div>				C192	1-163-005-11	CERAMIC CHIP 470PF	10% 50V
				C193	1-165-319-11	CERAMIC CHIP 0.1MF	50V
<p>* A-1394-905-A UV BOARD, COMPLETE (KV-32V40 only)</p>				C194	1-163-023-00	CERAMIC CHIP 0.015MF	10% 50V
<p>* A-1394-906-A UV BOARD, COMPLETE (KV-34VL65C/32V65CND/34VL65/35V65CND/37VL65/37VL65C only)</p>				C195	1-164-161-11	CERAMIC CHIP 0.0022MF	10% 50V
<p><u>CAPACITOR</u></p>				C196	1-126-965-11	ELECT 22MF	20% 50V
C100	1-164-346-11	CERAMIC CHIP 1MF	16V	C197	1-165-319-11	CERAMIC CHIP 0.1MF	50V
C101	1-165-319-11	CERAMIC CHIP 0.1MF	50V	C198	1-126-960-11	ELECT 1MF	20% 50V
C102	1-164-346-11	CERAMIC CHIP 1MF	16V	C199	1-165-319-11	CERAMIC CHIP 0.1MF	50V
C103	1-163-017-00	CERAMIC CHIP 0.0047MF	10% 50V	C231	1-163-031-11	CERAMIC CHIP 0.01MF	50V
C104	1-164-005-11	CERAMIC CHIP 0.47MF	25V	C232	1-136-161-00	FILM 0.047MF	5% 50V
C105	1-164-005-11	CERAMIC CHIP 0.47MF	25V	C233	1-136-161-00	FILM 0.047MF	5% 50V
C150	1-126-956-91	ELECT 0.1MF	20% 50V	C234	1-126-960-11	ELECT 1MF	20% 50V
C153	1-163-017-00	CERAMIC CHIP 0.0047MF	10% 50V	C235	1-126-960-11	ELECT 1MF	20% 50V
C154	1-126-963-11	ELECT 4.7MF	20% 50V	C236	1-136-161-00	FILM 0.047MF	5% 50V
C155	1-126-963-11	ELECT 4.7MF	20% 50V	C237	1-126-960-11	ELECT 1MF	20% 50V
C156	1-126-963-11	ELECT 4.7MF	20% 50V	C238	1-126-960-11	ELECT 1MF	20% 50V
C158	1-126-963-11	ELECT 4.7MF	20% 50V	C241	1-126-941-11	ELECT 470MF	20% 25V
C160	1-126-964-11	ELECT 10MF	20% 50V	C242	1-126-959-11	ELECT 0.47MF	20% 50V
C161	1-126-956-91	ELECT 0.1MF	20% 50V	C244	1-126-959-11	ELECT 0.47MF	20% 50V
C162	1-163-017-00	CERAMIC CHIP 0.0047MF	10% 50V	C245	1-126-941-11	ELECT 470MF	20% 25V
C163	1-104-664-11	ELECT 47MF	20% 25V	(KV-34VL65C/32V65CND/34VL65/35V65CND/37VL65/37VL65C only)			
C164	1-165-319-11	CERAMIC CHIP 0.1MF	50V	C246	1-126-959-11	ELECT 0.47MF	20% 50V
C165	1-126-964-11	ELECT 10MF	20% 50V	(KV-34VL65C/32V65CND/34VL65/35V65CND/37VL65/37VL65C only)			
C168	1-126-963-11	ELECT 4.7MF	20% 50V	C247	1-126-959-11	ELECT 0.47MF	20% 50V
C171	1-126-941-11	ELECT 470MF	20% 25V	(KV-34VL65C/32V65CND/34VL65/35V65CND/37VL65/37VL65C only)			
C172	1-126-959-11	ELECT 0.47MF	20% 50V	C261	1-136-161-00	FILM 0.047MF	5% 50V
C173	1-126-959-11	ELECT 0.47MF	20% 50V	(KV-34VL65C/32V65CND/34VL65/35V65CND/37VL65/37VL65C only)			
C174	1-126-964-11	ELECT 10MF	20% 50V	C262	1-104-664-11	ELECT 47MF	20% 25V
C176	1-126-964-11	ELECT 10MF	20% 50V	C263	1-136-161-00	FILM 0.047MF	5% 50V
C177	1-126-964-11	ELECT 10MF	20% 50V	C264	1-126-941-11	ELECT 470MF	20% 25V
C178	1-126-964-11	ELECT 10MF	20% 50V	C266	1-126-960-11	ELECT 1MF	20% 50V
C179	1-164-182-11	CERAMIC CHIP 0.0033MF	10% 50V	(KV-34VL65C/32V65CND/34VL65/35V65CND/37VL65/37VL65C only)			
C180	1-164-182-11	CERAMIC CHIP 0.0033MF	10% 50V	C267	1-126-960-11	ELECT 1MF	20% 50V
C181	1-163-989-11	CERAMIC CHIP 0.033MF	10% 25V	(KV-34VL65C/32V65CND/34VL65/35V65CND/37VL65/37VL65C only)			
C182	1-163-989-11	CERAMIC CHIP 0.033MF	10% 25V	C270	1-126-960-11	ELECT 1MF	20% 50V
C183	1-163-227-11	CERAMIC CHIP 10PF	0.5PF 50V	C271	1-126-960-11	ELECT 1MF	20% 50V
C184	1-163-227-11	CERAMIC CHIP 10PF	0.5PF 50V	C275	1-104-664-11	ELECT 47MF	20% 25V
C185	1-163-227-11	CERAMIC CHIP 10PF	0.5PF 50V	C276	1-163-251-11	CERAMIC CHIP 100PF	5% 50V
C187	1-126-964-11	ELECT 10MF	20% 50V	<u>CONNECTOR</u>			
C188	1-126-956-91	ELECT 0.1MF	20% 50V	CN261	1-691-632-21	CONNECTOR, BOARD TO BOARD	15P
C189	1-126-956-91	ELECT 0.1MF	20% 50V	CN262	1-573-301-21	CONNECTOR, BOARD TO BOARD	20P
C190	1-163-986-00	CERAMIC CHIP 0.027MF	10% 25V	CN263 *	1-564-506-11	PLUG, CONNECTOR	3P
C191	1-163-017-00	CERAMIC CHIP 0.0047MF	10% 50V	CN264	1-573-979-21	CONNECTOR, BOARD TO BOARD	11P
				CN265	1-564-508-11	PLUG, CONNECTOR	5P
				(KV-34VL65C/32V65CND/34VL65/35V65CND/37VL65/37VL65C only)			



# COMPLETE PARTS LISTING

**Note:**

The components identified with shading and a critical symbol (  $\Delta$  ) are critical for safety. Replace only with part number specified.

**Note:**

Les composants identifiés par un trame et une marque  $\Delta$  sont critiques pour la securite. Ne les remplacer que par une piece portant le numero specifie.

REF.NO.	PART NO.	DESCRIPTION	REMARK	REF.NO.	PART NO.	DESCRIPTION	REMARK
<b>DIODE</b>				<b>CHIP CONDUCTOR</b>			
D100	8-719-981-99	DIODE MTZJ-3.3		J902	1-764-143-11	JACK 3P (KV-34VL65C/32V65CND/34VL65/35V65CND/37VL65/37VL65C only)	
D231	8-719-110-17	DIODE RD10ESB2		J903	1-764-143-11	JACK 3P (KV-34VL65C/32V65CND/34VL65/35V65CND/37VL65/37VL65C only)	
D232	8-719-110-17	DIODE RD10ESB2		J904	1-764-143-11	JACK 3P (KV-34VL65C/32V65CND/34VL65/35V65CND/37VL65/37VL65C only)	
D233	8-719-110-17	DIODE RD10ESB2		<b>TRANSISTOR</b>			
D234	8-719-110-17	DIODE RD10ESB2		Q100	8-729-422-27	TRANSISTOR 2SD601A-Q	
D235	8-719-110-17	DIODE RD10ESB2		Q101	8-729-422-27	TRANSISTOR 2SD601A-Q	
D236	8-719-110-17	DIODE RD10ESB2		Q231	8-729-422-27	TRANSISTOR 2SD601A-Q	
D237	8-719-981-99	DIODE MTZJ-3.3		Q232	8-729-422-27	TRANSISTOR 2SD601A-Q (KV-34VL65C/32V65CND/34VL65/35V65CND/37VL65/37VL65C only)	
D238	8-719-981-99	DIODE MTZJ-3.3		Q233	8-729-422-27	TRANSISTOR 2SD601A-Q	
D239	8-719-981-99	DIODE MTZJ-3.3 (KV-34VL65C/32V65CND/34VL65/35V65CND/37VL65/37VL65C only)		Q234	8-729-422-27	TRANSISTOR 2SD601A-Q	
D240	8-719-110-17	DIODE RD10ESB2		Q235	8-729-422-27	TRANSISTOR 2SD601A-Q (KV-34VL65C/32V65CND/34VL65/35V65CND/37VL65/37VL65C only)	
D241	8-719-110-17	DIODE RD10ESB2		Q236	8-729-422-27	TRANSISTOR 2SD601A-Q (KV-34VL65C/32V65CND/34VL65/35V65CND/37VL65/37VL65C only)	
D242	8-719-110-17	DIODE RD10ESB2		Q237	8-729-216-22	TRANSISTOR 2SA1162-G	
D243	8-719-110-17	DIODE RD10ESB2		Q238	8-729-216-22	TRANSISTOR 2SA1162-G	
D244	8-719-110-17	DIODE RD10ESB2		Q239	8-729-216-22	TRANSISTOR 2SA1162-G	
D245	8-719-981-99	DIODE MTZJ-3.3 (KV-34VL65C/32V65CND/34VL65/35V65CND/37VL65/37VL65C only)		Q240	8-729-216-22	TRANSISTOR 2SA1162-G (KV-34VL65C/32V65CND/34VL65/35V65CND/37VL65/37VL65C only)	
D246	8-719-981-99	DIODE MTZJ-3.3		Q241	8-729-216-22	TRANSISTOR 2SA1162-G (KV-34VL65C/32V65CND/34VL65/35V65CND/37VL65/37VL65C only)	
D264	8-719-110-17	DIODE RD10ESB2		Q242	8-729-216-22	TRANSISTOR 2SA1162-G (KV-34VL65C/32V65CND/34VL65/35V65CND/37VL65/37VL65C only)	
D265	8-719-110-17	DIODE RD10ESB2		Q243	8-729-216-22	TRANSISTOR 2SA1162-G	
D902	8-719-110-17	DIODE RD10ESB2 (KV-34VL65C/32V65CND/34VL65/35V65CND/37VL65/37VL65C only)		<b>JACK</b>			
<b>IC</b>				J231	1-750-515-11	TERMINAL BLOCK, S 3P	
IC100	8-752-072-39	IC CXA2021S		J232	1-750-517-11	JACK BLOCK, PIN 3P	
IC101	8-759-100-96	IC UPC4558G2		J233	1-750-516-11	JACK BLOCK, PIN 2P	
IC102	8-759-537-25	IC NJM2150M		J234	1-750-517-11	JACK BLOCK, PIN 3P	
IC103	8-759-537-26	IC TDA7467D		J235	1-750-517-11	JACK BLOCK, PIN 3P (KV-34VL65C/32V65CND/34VL65/35V65CND/37VL65/37VL65C only)	
IC261	8-759-366-77	IC MM1311AD (KV-32V40 only)					
IC261	8-759-534-81	IC MM1313AD (KV-34VL65C/32V65CND/34VL65/35V65CND/37VL65/37VL65C only)					

**Note:**

The components identified with shading and a critical symbol (  $\Delta$  ) are critical for safety. Replace only with part number specified.

**Note:**

Les composants identifiés par un triangle et une marque  $\Delta$  sont critiques pour la sécurité. Ne les remplacer que par une pièce portant le numéro spécifié.

**COMPLETE PARTS LISTING**



REF.NO.	PART NO.	DESCRIPTION	REMARK
Q261	8-729-422-27	TRANSISTOR 2SD601A-Q (KV-34VL65C/32V65CND/34VL65/35V65CND/37VL65/37VL65C only)	
Q262	8-729-422-27	TRANSISTOR 2SD601A-Q	
Q263	8-729-216-22	TRANSISTOR 2SA1162-G	
Q265	8-729-216-22	TRANSISTOR 2SA1162-G	
<b>RESISTOR</b>			
R100	1-216-033-00	RES, CHIP 220	5% 1/10W
R101	1-216-033-00	RES, CHIP 220	5% 1/10W
R102	1-216-073-00	RES, CHIP 10K	5% 1/10W
R103	1-216-093-00	RES, CHIP 68K	5% 1/10W
R104	1-216-089-91	RES, CHIP 47K	5% 1/10W
R105	1-216-089-91	RES, CHIP 47K	5% 1/10W
R106	1-216-049-91	RES, CHIP 1K	5% 1/10W
R107	1-216-049-91	RES, CHIP 1K	5% 1/10W
R108	1-216-073-00	RES, CHIP 10K	5% 1/10W
R109	1-216-089-91	RES, CHIP 47K	5% 1/10W
R110	1-216-089-91	RES, CHIP 47K	5% 1/10W
R111	1-216-025-91	RES, CHIP 100	5% 1/10W
R112	1-216-121-91	RES, CHIP 1M	5% 1/10W
R113	1-216-081-00	RES, CHIP 22K	5% 1/10W
R114	1-216-081-00	RES, CHIP 22K	5% 1/10W
R115	1-216-081-00	RES, CHIP 22K	5% 1/10W
R116	1-216-081-00	RES, CHIP 22K	5% 1/10W
R117	1-216-073-00	RES, CHIP 10K	5% 1/10W
R118	1-216-073-00	RES, CHIP 10K	5% 1/10W
R119	1-216-073-00	RES, CHIP 10K	5% 1/10W
R124	1-216-033-00	RES, CHIP 220	5% 1/10W
R125	1-216-033-00	RES, CHIP 220	5% 1/10W
R126	1-216-063-91	RES, CHIP 3.9K	5% 1/10W
R127	1-216-089-91	RES, CHIP 47K	5% 1/10W
R128	1-216-085-00	RES, CHIP 33K	5% 1/10W
R129	1-216-053-00	RES, CHIP 1.5K	5% 1/10W
R130	1-216-100-00	RES, CHIP 130K	5% 1/10W
R131	1-216-049-91	RES, CHIP 1K	5% 1/10W
R132	1-216-088-00	RES, CHIP 43K	5% 1/10W
R133	1-216-061-00	RES, CHIP 3.3K	5% 1/10W
R134	1-216-061-00	RES, CHIP 3.3K	5% 1/10W
R135	1-216-097-91	RES, CHIP 100K	5% 1/10W
R136	1-216-093-00	RES, CHIP 68K	5% 1/10W
R137	1-216-025-91	RES, CHIP 100	5% 1/10W
R141	1-216-295-91	SHORT (KV-34VL65C/32V65CND/34VL65/35V65CND/37VL65/37VL65C only)	

REF.NO.	PART NO.	DESCRIPTION	REMARK
R142	1-216-295-91	SHORT (KV-34VL65C/32V65CND/34VL65/35V65CND/37VL65/37VL65C only)	
R201	1-216-065-91	RES, CHIP 4.7K	5% 1/10W
R202	1-216-049-91	RES, CHIP 1K	5% 1/10W
R203	1-216-069-00	RES, CHIP 6.8K	5% 1/10W
R204	1-216-069-00	RES, CHIP 6.8K	5% 1/10W
R206	1-216-049-91	RES, CHIP 1K	5% 1/10W (KV-34VL65C/32V65CND/34VL65/35V65CND/37VL65/37VL65C only)
R207	1-216-295-91	SHORT (KV-34VL65C/32V65CND/34VL65/35V65CND/37VL65/37VL65C only)	
R208	1-216-049-91	RES, CHIP 1K	5% 1/10W (KV-34VL65C/32V65CND/34VL65/35V65CND/37VL65/37VL65C only)
R209	1-216-069-00	RES, CHIP 6.8K	5% 14W (KV-34VL65C/32V65CND/34VL65/35V65CND/37VL65/37VL65C only)
R210	1-216-069-00	RES, CHIP 6.8K	5% 1/10W (KV-34VL65C/32V65CND/34VL65/35V65CND/37VL65/37VL65C only)
R212	1-249-440-11	CARBON 82K	5% 1/4W
R213	1-216-065-91	RES, CHIP 4.7K	5% 1/10W
R214	1-216-065-91	RES, CHIP 4.7K	5% 1/10W
R215	1-249-413-11	CARBON 470	5% 1/4W
R216	1-216-025-91	RES, CHIP 100	5% 1/10W
R217	1-216-025-91	RES, CHIP 100	5% 1/10W
R218	1-216-025-91	RES, CHIP 100	5% 1/10W
R219	1-216-065-91	RES, CHIP 4.7K	5% 1/10W (KV-34VL65C/32V65CND/34VL65/35V65CND/37VL65/37VL65C only)
R220	1-216-065-91	RES, CHIP 4.7K	5% 1/10W (KV-34VL65C/32V65CND/34VL65/35V65CND/37VL65/37VL65C only)
R221	1-249-413-11	CARBON 470	5% 1/4W (KV-34VL65C/32V65CND/34VL65/35V65CND/37VL65/37VL65C only)
R222	1-216-025-91	RES, CHIP 100	5% 1/10W (KV-34VL65C/32V65CND/34VL65/35V65CND/37VL65/37VL65C only)
R223	1-216-025-91	RES, CHIP 100	5% 1/10W (KV-34VL65C/32V65CND/34VL65/35V65CND/37VL65/37VL65C only)
R224	1-216-025-91	RES, CHIP 100	5% 1/10W (KV-34VL65C/32V65CND/34VL65/35V65CND/37VL65/37VL65C only)
R225	1-247-815-91	CARBON 220	5% 1/4W (KV-34VL65C/32V65CND/34VL65/35V65CND/37VL65/37VL65C only)
R226	1-247-815-91	CARBON 220	5% 1/4W (KV-34VL65C/32V65CND/34VL65/35V65CND/37VL65/37VL65C only)
R227	1-249-440-11	CARBON 82K	5% 1/4W (KV-34VL65C/32V65CND/34VL65/35V65CND/37VL65/37VL65C only)
R228	1-216-033-00	RES, CHIP 220	5% 1/10W
R229	1-216-025-91	RES, CHIP 100	5% 1/10W
R230	1-216-033-00	RES, CHIP 220	5% 1/10W
R231	1-216-022-00	RES, CHIP 75	5% 1/10W
R232	1-216-022-00	RES, CHIP 75	5% 1/10W
R233	1-216-065-91	RES, CHIP 4.7K	5% 1/10W
R234	1-216-022-00	RES, CHIP 75	5% 1/10W
R235	1-216-113-00	RES, CHIP 470K	5% 1/10W



# COMPLETE PARTS LISTING

REF.NO.	PART NO.	DESCRIPTION	REMARK	REF.NO.	PART NO.	DESCRIPTION	REMARK
R236	1-216-065-91	RES, CHIP	4.7K 5% 1/10W	R275	1-249-425-11	CARBON	4.7K 5% 1/4W
R237	1-216-113-00	RES, CHIP	470K 5% 1/10W			(KV-34VL65C/32V65CND/34VL65/35V65CND/37VL65/37VL65C only)	
R238	1-216-065-91	RES, CHIP	4.7K 5% 1/10W	R276	1-249-425-11	CARBON	4.7K 5% 1/4W
R239	1-216-022-00	RES, CHIP	75 5% 1/10W			(KV-34VL65C/32V65CND/34VL65/35V65CND/37VL65/37VL65C only)	
R240	1-216-113-00	RES, CHIP	470K 5% 1/10W	R277	1-216-049-91	RES, CHIP	1K 5% 1/10W
				R278	1-249-413-11	CARBON	470 5% 1/4W
R241	1-216-065-91	RES, CHIP	4.7K 5% 1/10W			(KV-34VL65C/32V65CND/34VL65/35V65CND/37VL65/37VL65C only)	
R242	1-216-113-00	RES, CHIP	470K 5% 1/10W	R279	1-216-025-91	RES, CHIP	100 5% 1/10W
R243	1-216-065-91	RES, CHIP	4.7K 5% 1/10W				
R244	1-216-113-00	RES, CHIP	470K 5% 1/10W	R280	1-216-033-00	RES, CHIP	220 5% 1/10W
R245	1-249-417-11	CARBON	1K 5% 1/4W	R281	1-216-033-00	RES, CHIP	220 5% 1/10W
				R282	1-216-025-91	RES, CHIP	100 5% 1/10W
R246	1-216-113-00	RES, CHIP	470K 5% 1/10W	R283	1-216-025-91	RES, CHIP	100 5% 1/10W
R247	1-249-417-11	CARBON	1K 5% 1/4W	R284	1-216-065-91	RES, CHIP	4.7K 5% 1/10W
R248	1-216-021-00	RES, CHIP	68 5% 1/10W				
R249	1-216-113-00	RES, CHIP	470K 5% 1/10W	R285	1-216-065-91	RES, CHIP	4.7K 5% 1/10W
R250	1-216-113-00	RES, CHIP	470K 5% 1/10W	R286	1-216-049-91	RES, CHIP	1K 5% 1/10W
				R288	1-247-815-91	CARBON	220 5% 1/4W
R251	1-216-113-00	RES, CHIP	470K 5% 1/10W	R289	1-247-815-91	CARBON	220 5% 1/4W
R252	1-216-019-00	RES, CHIP	56 5% 1/10W	R290	1-247-815-91	CARBON	220 5% 1/4W
R253	1-216-113-00	RES, CHIP	470K 5% 1/10W	R291	1-216-025-91	RES, CHIP	100 5% 1/10W
				R292	1-216-025-91	RES, CHIP	100 5% 1/10W
R254	1-216-113-00	RES, CHIP	470K 5% 1/10W				
R255	1-216-113-00	RES, CHIP	470K 5% 1/10W	R293	1-216-025-91	RES, CHIP	100 5% 1/10W
R256	1-216-069-00	RES, CHIP	6.8K 5% 1/10W	R294	1-216-049-91	RES, CHIP	1K 5% 1/10W
R258	1-216-069-00	RES, CHIP	6.8K 5% 1/10W	R902	1-249-405-11	CARBON	100 5% 1/4W
R259	1-216-065-91	RES, CHIP	4.7K 5% 1/10W				
R260	1-247-807-31	CARBON	100 5% 1/4W	R919	1-216-295-91	SHORT	
R261	1-216-009-00	RES, CHIP	22 5% 1/10W	R920	1-249-405-11	CARBON	100 5% 1/4W
R264	1-247-815-91	CARBON	220 5% 1/4W	R921	1-249-405-11	CARBON	100 5% 1/4W
R265	1-247-815-91	CARBON	220 5% 1/4W				
R266	1-216-043-91	RES, CHIP	560 5% 1/10W				
R267	1-249-415-11	CARBON	680 5% 1/4W	R922	1-216-049-91	RES, CHIP	1K 5% 1/10W
R268	1-216-025-91	RES, CHIP	100 5% 1/10W	R923	1-216-049-91	RES, CHIP	1K 5% 1/10W
R269	1-216-025-91	RES, CHIP	100 5% 1/10W				
R270	1-216-041-00	RES, CHIP	470 5% 1/10W	R924	1-216-049-91	RES, CHIP	1K 5% 1/10W
R271	1-249-415-11	CARBON	680 5% 1/4W				
R272	1-249-417-11	CARBON	1K 5% 1/4W				
R274	1-249-413-11	CARBON	470 5% 1/4W				



REF.NO.	PART NO.	DESCRIPTION	REMARK
<b>WA</b>			
* A-1372-462-A WA BOARD, COMPLETE (KV-35S40/35S45/37SL45/35V65CND/37VL65/37VL65C only)			
	4-382-854-11	SCREW (M3X10), P, SW (+)	
<u>CAPACITOR</u>			
C941	1-126-935-11	ELECT 470MF	20% 16V
C944	1-163-021-91	CERAMIC CHIP 0.01MF	10% 50V
C945	1-163-001-11	CERAMIC CHIP 220PF	10% 50V
C946	1-126-933-11	ELECT 100MF	20% 16V
C949	1-161-830-00	CERAMIC CHIP 0.0047MF	500V
C950	1-126-933-11	ELECT 100MF	20% 16V
C951	1-107-638-11	ELECT 33MF	20% 160V
C952	1-104-999-11	MYLAR 0.1MF	10% 200V
C953	1-106-383-00	MYLAR 0.047MF	10% 200V
C954	1-137-364-11	FILM 0.001MF	5% 50V
C955	1-107-667-11	ELECT 2.2MF	20% 160V
C956	1-137-364-11	FILM 0.001MF	5% 50V
C957	1-106-383-00	MYLAR 0.047MF	10% 200V
C958	1-126-933-11	ELECT 100MF	20% 16V
C961	1-163-251-11	CERAMIC CHIP 100PF	5% 50V
C962	1-163-021-91	CERAMIC CHIP 0.01MF	10% 50V
C965	1-163-035-00	CERAMIC CHIP 0.047MF	50V
C966	1-163-009-11	CERAMIC CHIP 0.001MF	10% 50V
C967	1-129-718-00	FILM 0.022MF	5% 630V
C968	1-137-579-11	FILM 0.068MF	5% 100V
C969	1-163-035-00	CERAMIC CHIP 0.047MF	50V
C981	1-126-941-11	ELECT 470MF	20% 25V
C983	1-137-366-11	FILM 0.0022MF	5% 50V
<u>CONNECTOR</u>			
CN941	1-564-511-11	PLUG, CONNECTOR 8P	
CN961 *	1-770-723-11	CONNECTOR, BOARD TO BOARD 8P	
CN981 *	1-564-506-11	PLUG, CONNECTOR 3P	
<u>DIODE</u>			
D941	8-719-991-33	DIODE 1SS133T-77	
D946	8-719-110-88	DIODE RD39ESB2	
D947	8-719-110-88	DIODE RD39ESB2	
D961	8-719-109-89	DIODE RD5.6ESB2	
D962	8-719-991-33	DIODE 1SS133T-77	
D964	8-719-302-43	DIODE EL1Z	

REF.NO.	PART NO.	DESCRIPTION	REMARK
<u>IC</u>			
IC961	8-759-700-07	IC NJM2903M	
IC981	8-759-603-37	IC M5216P	
<u>COIL</u>			
L942	1-215-863-11	METAL OXIDE	100 5% 1W F
L962	1-406-989-21	INDUCTOR	
L963	1-406-675-11	INDUCTOR	
<u>JUMPER WIRE</u>			
JW919	1-136-165-00	FILM 0.1MF	5% 50V
<u>TRANSISTOR</u>			
Q943	8-729-422-27	TRANSISTOR 2SD601A-Q	
Q944	8-729-422-27	TRANSISTOR 2SD601A-Q	
Q945	8-729-422-27	TRANSISTOR 2SD601A-Q	
Q946	8-729-017-05	TRANSISTOR 2SA1837	
Q947	8-729-017-06	TRANSISTOR 2SC4793	
Q962	8-729-931-45	TRANSISTOR IRF614	
Q963	8-729-216-22	TRANSISTOR 2SA1162-G	
Q965	8-729-422-27	TRANSISTOR 2SD601A-Q	
Q966	8-729-216-22	TRANSISTOR 2SA1162-G	
Q981	8-729-422-27	TRANSISTOR 2SD601A-Q	
<u>RESISTOR</u>			
R943	1-216-025-91	RES, CHIP	100 5% 1/10W
R948	1-216-049-91	RES, CHIP	1K 5% 1/10W
R949	1-216-049-91	RES, CHIP	1K 5% 1/10W
R950	1-216-049-91	RES, CHIP	1K 5% 1/10W
R951	1-216-049-91	RES, CHIP	1K 5% 1/10W
R952	1-216-037-00	RES, CHIP	330 5% 1/10W
R953	1-216-021-00	RES, CHIP	68 5% 1/10W
R954	1-216-033-00	RES, CHIP	220 5% 1/10W
R955	1-216-047-91	RES, CHIP	820 5% 1/10W
R956	1-216-295-91	SHORT	
R957	1-216-073-00	RES, CHIP	10K 5% 1/10W
R958	1-216-295-91	SHORT	
R959	1-216-021-00	RES, CHIP	68 5% 1/10W
R960	1-216-689-11	RES, CHIP	39K 5% 1/10W
R961	1-216-073-00	RES, CHIP	10K 5% 1/10W
R962	1-216-057-00	RES, CHIP	2.2K 5% 1/10W
R963	1-216-097-91	RES, CHIP	100K 5% 1/10W
R964	1-216-073-00	RES, CHIP	10K 5% 1/10W
R965	1-216-073-00	RES, CHIP	10K 5% 1/10W
R966	1-216-097-91	RES, CHIP	100K 5% 1/10W





# COMPLETE PARTS LISTING

<u>REF.NO.</u>	<u>PART NO.</u>	<u>DESCRIPTION</u>			<u>REMARK</u>		
R967	1-216-065-91	RES, CHIP	4.7K	5%	1/10W		
R968	1-216-083-00	RES, CHIP	27K	5%	1/10W		
R969	1-216-295-91	SHORT					
R970	1-216-033-00	RES, CHIP	220	5%	1/10W		
R971	1-247-899-11	CARBON	680K	5%	1/4W		
R972	1-216-073-00	RES, CHIP	10K	5%	1/10W		
R973	1-216-121-91	RES, CHIP	1M	5%	1/10W		
R974	1-216-073-00	RES, CHIP	10K	5%	1/10W		
R975	1-216-446-00	METAL OXIDE	18	5%	2W	F	
R976	1-216-423-11	METAL OXIDE	27	5%	1W	F	
R979	1-216-017-91	RES, CHIP	47	5%	1/10W		
R981	1-216-081-00	RES, CHIP	22K	5%	1/10W		
R982	1-216-081-00	RES, CHIP	22K	5%	1/10W		
R983	1-216-081-00	RES, CHIP	22K	5%	1/10W		
R984	1-216-081-00	RES, CHIP	22K	5%	1/10W		
R987	1-216-049-91	RES, CHIP	1K	5%	1/10W		
R988	1-216-295-91	SHORT					
R989	1-216-304-11	RES, CHIP	3.3	5%	1/10W		
R992	1-216-073-00	RES, CHIP	10K	5%	1/10W		
R1941	1-260-311-11	CARBON	39	5%	1/2W		
R1942	1-249-384-11	CARBON	1.8	5%	1/4W	F	
R1943	1-249-414-11	CARBON	560	5%	1/4W	F	
R1944	1-249-432-11	CARBON	18K	5%	1/4W		
R1945	1-216-476-11	METAL OXIDE	180	5%	3W	F	
R1946	1-249-417-11	CARBON	1K	5%	1/4W	F	
R1947	1-249-432-11	CARBON	18K	5%	1/4W		
R1948	1-249-414-11	CARBON	560	5%	1/4W		
R1949	1-249-384-11	CARBON	1.8	5%	1/4W	F	
R1950	1-249-400-11	CARBON	39	5%	1/4W	F	



REF.NO.	PART NO.	DESCRIPTION	REMARK			
<b>WB</b>						
* A-1372-508-A WB BOARD, COMPLETE (KV-32V40/34VL65C/32V65CND/34VL65/32S40/ 34SL40/34SL40C/32S45/34SL45 only)						
	4-382-854-11	SCREW (M3X10), P, SW (+)				
<u>CAPACITOR</u>						
C2941	1-126-935-11	ELECT	470MF	20%	16V	
C2944	1-163-021-91	CERAMIC CHIP	0.01MF	10%	50V	
C2946	1-126-933-11	ELECT	100MF	20%	16V	
C2949	1-161-830-00	CERAMIC CHIP	0.0047MF		500V	
C2950	1-126-933-11	ELECT	100MF	20%	16V	
C2951	1-107-638-11	ELECT	33MF	20%	160V	
C2952	1-104-999-11	MYLAR	0.1MF	10%	200V	
C2953	1-106-383-00	MYLAR	0.047MF	10%	200V	
C2954	1-137-364-11	FILM	0.001MF	5%	50V	
C2955	1-107-667-11	ELECT	2.2MF	20%	160V	
C2956	1-137-364-11	FILM	0.001MF	5%	50V	
C2957	1-106-383-00	MYLAR	0.047MF	10%	200V	
C2958	1-126-933-11	ELECT	100MF	20%	16V	
C2975	1-163-001-11	CERAMIC CHIP	220PF	10%	50V	
<u>CONNECTOR</u>						
CN2941*	1-564-508-11	PLUG, CONNECTOR 5P				
<u>DIODE</u>						
D2941	8-719-991-33	DIODE 1SS133T-77				
D2946	8-719-110-88	DIODE RD39ESB2				
D2947	8-719-110-88	DIODE RD39ESB2				
<u>COIL</u>						
L2942	1-215-863-11	METAL OXIDE	100	5%	1W F	
<u>TRANSISTOR</u>						
Q2943	8-729-422-27	TRANSISTOR 2SD601A-Q				
Q2944	8-729-422-27	TRANSISTOR 2SD601A-Q				
Q2945	8-729-422-27	TRANSISTOR 2SD601A-Q				
Q2946	8-729-017-05	TRANSISTOR 2SA1837				
Q2947	8-729-017-06	TRANSISTOR 2SC4793				
Q2965	8-729-422-27	TRANSISTOR 2SD601A-Q				
Q2966	8-729-216-22	TRANSISTOR 2SA1162-G				

REF.NO.	PART NO.	DESCRIPTION	REMARK			
<u>RESISTOR</u>						
R2943	1-216-025-91	RES,CHIP	100	5%	1/10W	
R2948	1-216-049-91	RES,CHIP	1K	5%	1/10W	
R2949	1-216-049-91	RES,CHIP	1K	5%	1/10W	
R2950	1-216-049-91	RES,CHIP	1K	5%	1/10W	
R2951	1-216-049-91	RES,CHIP	1K	5%	1/10W	
R2952	1-216-037-00	RES,CHIP	330	5%	1/10W	
R2953	1-216-021-00	RES,CHIP	68	5%	1/10W	
R2954	1-216-033-00	RES,CHIP	220	5%	1/10W	
R2955	1-216-047-91	RES,CHIP	820	5%	1/10W	
R2956	1-216-295-91	SHORT				
R2957	1-216-073-00	RES,CHIP	10K	5%	1/10W	
R2958	1-216-295-91	SHORT				
R2959	1-216-021-00	RES,CHIP	68	5%	1/10W	
R2979	1-216-017-91	RES,CHIP	47	5%	1/10W	
R4941	1-260-311-11	CARBON	39	5%	1/2W	
R4942	1-249-384-11	CARBON	1.8	5%	1/4W F	
R4943	1-249-414-11	CARBON	560	5%	1/4W F	
R4944	1-249-432-11	CARBON	18K	5%	1/4W	
R4945	1-216-476-11	METAL OXIDE	180	5%	3W F	
R4946	1-249-417-11	CARBON	1K	5%	1/4W F	
R4947	1-249-432-11	CARBON	18K	5%	1/4W	
R4948	1-249-414-11	CARBON	560	5%	1/4W	
R4949	1-249-384-11	CARBON	1.8	5%	1/4W F	
R4950	1-249-400-11	CARBON	39	5%	1/4W F	

## ACCESSORIES AND PACKING MATERIALS

<u>REF.NO.</u>	<u>PART NO.</u>	<u>DESCRIPTION</u>	<u>REMARK</u>	<u>REF.NO.</u>	<u>PART NO.</u>	<u>DESCRIPTION</u>	<u>REMARK</u>
<b><u>S SERIES</u></b>				<b><u>V SERIES</u></b>			
<b><u>ACCESSORIES AND PACKING MATERIALS</u></b>				<b><u>ACCESSORIES AND PACKING MATERIALS</u></b>			
4-041-259-01 *		BAG, PROTECTION (KV-32S40/34SL40/34SL40C/32S45/34SL45/34SL40T)		4-041-259-01 *		BAG, PROTECTION (KV-32V40/34VL65C/32V65/34VL65)	
4-053-658-01 *		BAG, PROTECTION (KV-35S40/35S45/37SL45)		4-053-658-01 *		BAG, PROTECTION (KV-35V65/35VL65/35V65C)	
4-063-179-01 *		CARTON, INDIVIDUAL (KV-32S40/32S45/34SL40T)		4-065-159-01 *		INDIVIDUAL CARTON (KV-34VL65C/34VL65)	
4-056-782-01 *		CARTON, INDIVIDUAL (KV-35S40/35S45/37SL45)		4-053-276-01 *		INDIVIDUAL CARTON (KV-35V65/35VL65/35V65C)	
4-065-233-01 *		CARTON, INDIVIDUAL (KV-34SL40/34SL40C/34SL45)		4-054-073-12 *		INDIVIDUAL CARTON (KV-32V40/32V65)	
4-056-783-01 *		CUSHION, UPPER ASSY (KV-35S40/35S45/37SL45)		4-053-277-01 *		CUSHION, UPPER ASSY (KV-35V65/35VL65/35V65C)	
4-063-180-01 *		CUSHION, UPPER ASSY (KV-32S40/34SL40/34SL40C/32S45/34SL45/34SL40T)		4-054-067-01 *		CUSHION, UPPER ASSY (KV-32V40/34VL65C/32V65/34VL65)	
4-056-784-01 *		CUSHION, LOWER ASSY (KV-35S40/35S45/37SL45)		4-054-070-01 *		CUSHION, LOWER ASSY (KV-32V40/34VL65C/32V65/34VL65)	
4-063-181-01 *		CUSHION, LOWER ASSY (KV-32S40/34SL40/34SL40C/32S45/34SL45/34SL40T)		4-053-278-01 *		CUSHION, LOWER ASSY (KV-35V65/35VL65/35V65C)	
3-862-568-21		MANUAL, INSTRUCTION (KV-32S40/32S45/35S40/35S45)		3-862-568-21		MANUAL, INSTRUCTION (KV-32V40)	
3-862-708-41		MANUAL, INSTRUCTION (KV-34SL40/34SL40C/34SL45/37SL45)		3-862-568-31		MANUAL, INSTRUCTION (KV-32V40CND/32V65CND/35V65CND)	
3-864-098-71		MANUAL, INSTRUCTION (KV-34SL40T)		3-862-708-41		MANUAL, INSTRUCTION (KV-34VL65C/34VL65/37VL65C/37VL65)	
<b><u>REMOTE COMMANDER</u></b>				<b><u>REMOTE COMMANDER</u></b>			
1-475-801-11		REMOTE COMMANDER (RM-Y165) (KV-32S40/34SL40/34SL40C/32S45/35S40/34SL40T)		1-475-801-11		REMOTE COMMANDER (RM-Y165) (KV-32V40)	
4-978-977-01		BATTERY COVER (FOR REMOTE) (KV-32S40/34SL40/34SL40C/32S45/35S40/34SL40T)		4-978-977-01		BATTERY COVER (FOR REMOTE) (KV-32V40)	
1-475-802-11		REMOTE COMMANDER (RM-Y167) (KV-34SL45/35S45/37SL45)		1-475-802-11		REMOTE COMMANDER (RM-Y167) (KV-34VL65C/32V65CND/34VL65/35V65CND/37VL65/37VL65C)	
4-978-977-01		BATTERY COVER (FOR REMOTE) (KV-34SL45/35S45/37SL45)		4-978-977-01		BATTERY COVER (FOR REMOTE) (KV-34VL65C/32V65CND/34VL65/35V65CND/37VL65/37VL65C)	

**9-965-843-01**

**Sony Corporation**  
**Sony Technology Center**  
**Product Quality Division**  
**Service Promotion Department**

**English**  
**98EJ74429-1**  
**Printed in U.S.A.**  
**© 1998.5**

<u>MODEL</u>	<u>DEST.</u>	<u>COMMANDER</u>	<u>CHASSIS NO.</u>
<b>KV-32S40</b>	US	RM-Y165	SCC-S07A-A
<b>KV-32S40</b>	CND	RM-Y165	SCC-S08A-A
<b>KV-32S45</b>	US	RM-Y167	SCC-S07B-A
<b>KV-32S45</b>	CND	RM-Y167	SCC-S08B-A
<b>KV-34SL40T</b>	TAIWAN	RM-Y165	SCC-S16A-A
<b>KV-34SL40C</b>	E	RM-Y165	SCC-S09A-A
<b>KV-34SL40</b>	E	RM-Y165	SCC-S09B-A
<b>KV-34SL45</b>	E	RM-Y167	SCC-S09C-A
<b>KV-35S40</b>	US	RM-Y165	SCC-S07D-A
<b>KV-35S40</b>	CND	RM-Y165	SCC-S08E-A
<b>KV-35S45</b>	US	RM-Y167	SCC-S07E-A
<b>KV-35S45</b>	CND	RM-Y167	SCC-S08F-A
<b>KV-37SL45</b>	E	RM-Y167	SCC-S09F-A
<b>KV-32V40</b>	US	RM-Y165	SCC-S07C-A
<b>KV-32V40</b>	CND	RM-Y165	SCC-S08C-A
<b>KV-32V65</b>	US	RM-Y167	SCC-S07P-A
<b>KV-32V65</b>	CND	RM-Y167	SCC-S08D-A
<b>KV-34VL65</b>	E	RM-Y167	SCC-S09E-A
<b>KV-34VL65C</b>	E	RM-Y167	SCC-S09D-A
<b>KV-35V65</b>	US	RM-Y167	SCC-S07Q-A
<b>KV-35V65</b>	CND	RM-Y167	SCC-S08G-A
<b>KV-37VL65</b>	E	RM-Y167	SCC-S09G-A
<b>KV-37VL65C</b>	E	RM-Y167	SCC-S09H-A

## SUPPLEMENT-1

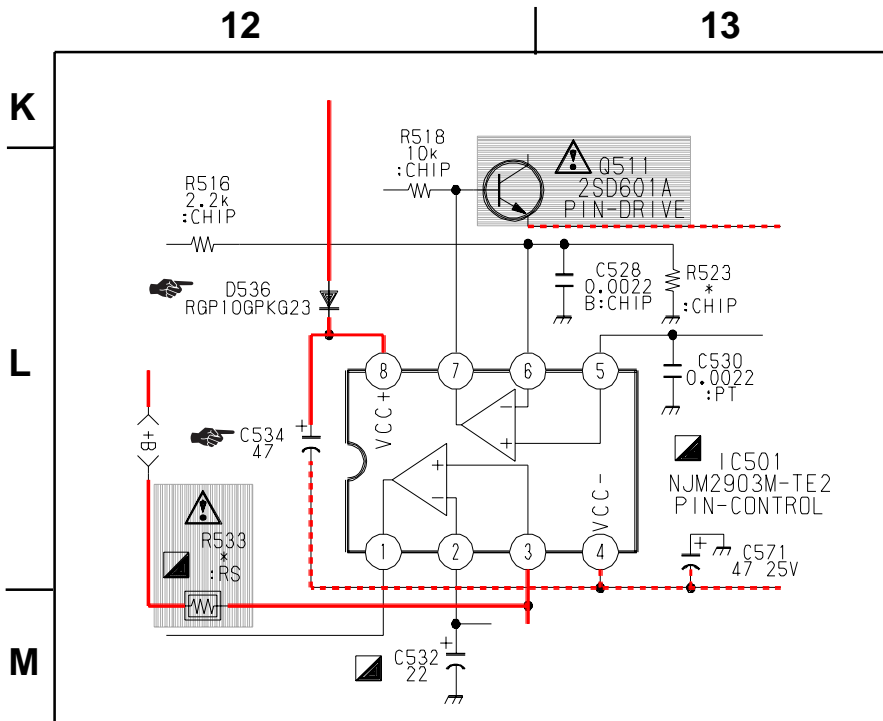
**SUBJECT: A Board Schematic and Parts List**

**Correct the service manual as shown.  
File this Supplement with the service manual.**

**TRINITRON® COLOR TV**  
**SONY®**

**Section 6: A Board Schematic Diagram (S series) (Page 40)**  
**A Board Schematic Diagram (V series) (Page 44)**

👉: Added Item



**Old**

**New**

Ref.No.	Part No.	Description
C534	Not Listed ---->	Needs to be added
D536	Not Listed ---->	Needs to be added

Ref.No.	Part No.	Description
👉 C534	1-126-967-11	ELECT 47μF 20% 50V
👉 D536	8-719-302-43	DIODE ELIZ

## Free Manuals Download Website

<http://myh66.com>

<http://usermanuals.us>

<http://www.somanuals.com>

<http://www.4manuals.cc>

<http://www.manual-lib.com>

<http://www.404manual.com>

<http://www.luxmanual.com>

<http://aubethermostatmanual.com>

Golf course search by state

<http://golfingnear.com>

Email search by domain

<http://emailbydomain.com>

Auto manuals search

<http://auto.somanuals.com>

TV manuals search

<http://tv.somanuals.com>