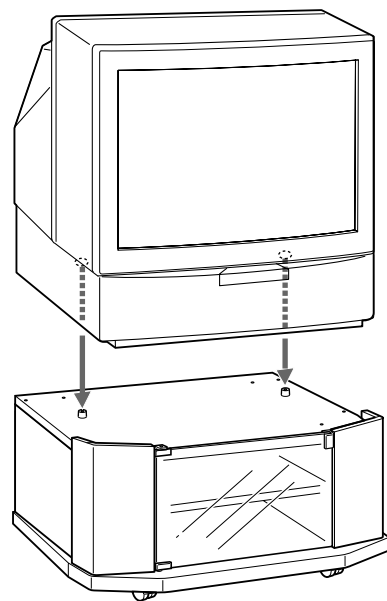


Installing the Projection TV/#####/#####



Notes

- To install the TV, make sure the pilot holes on the bottom of the TV are fitted onto the posts on the top of the AV Rack.
- Do not put the TV power cord between the top board and the bottom of the TV. If you do so, the cord may be damaged and it may cause an electric shock or fire.
- Be careful not to hit the glass door with the TV when placing the TV on the AV Rack.

#####

- #####
- #####
- #####

#####

- #####
- #####
- #####

Note on the tempered glass/#####/#####

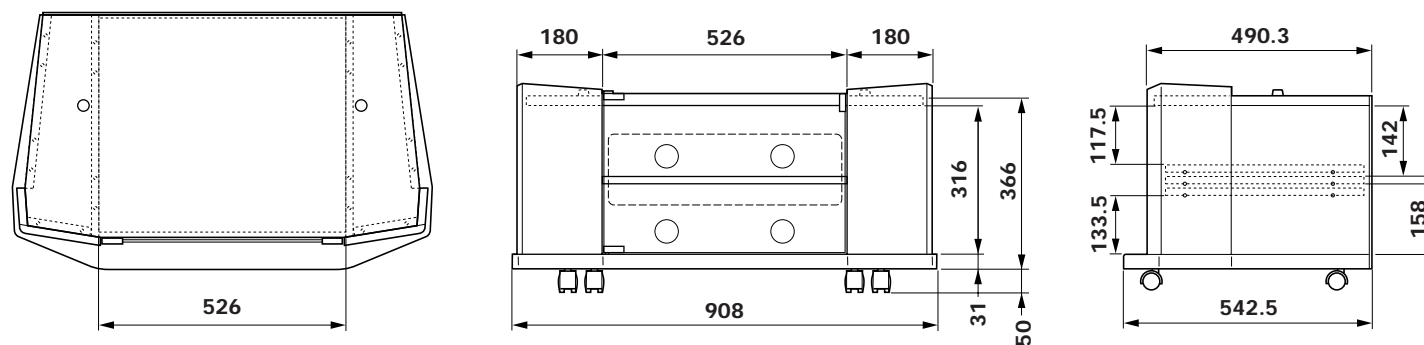
Under normal conditions, this "tempered glass" is more shock resistant and able to bear more weight than ordinary glass. However, this glass may break if it receives a sharp blow or is severely scratched.

#####

#####

Specifications/#####/###

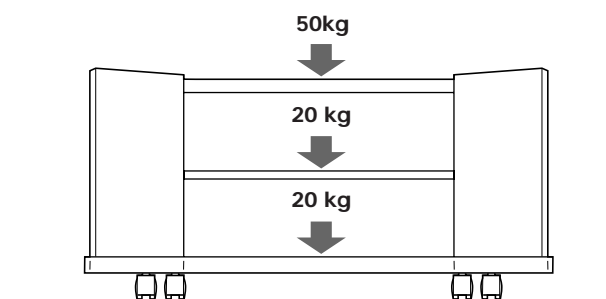
Dimensions Unit: mm ##### ### : mm
Weight: 28 kg #### : ##### ### : 28 kg



Design and specifications are subject to change without notice.

#####

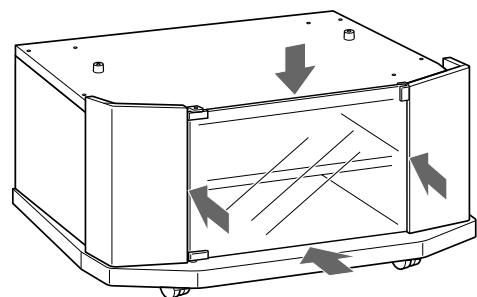
Note on carrying capacity/#####/#####



Do not place any equipment which exceeds the maximum weight for each shelf as indicated in the illustration. Otherwise, the shelf may break.

#####

Notes on use/#####/#####



- Do not place the rack in a location near a heat source, such as a radiator, or in a place subject to direct sunlight.
- Clean the rack periodically with a soft cloth. If fingerprints, food and beverage stains, etc., are difficult to remove, use a cloth moistened with a mild detergent solution. Do not use scouring powder, an abrasive pad, or a solvent.

Warning

When opening or closing the door, take care not to pinch your fingers in the door (indicated by arrows in the illustration) and be especially mindful whenever children are nearby.

- #####
- #####

#####

- #####
- #####

#####

SONY®

3-862-757-11 (1)

AV Rack

SU-EF41

Instructions

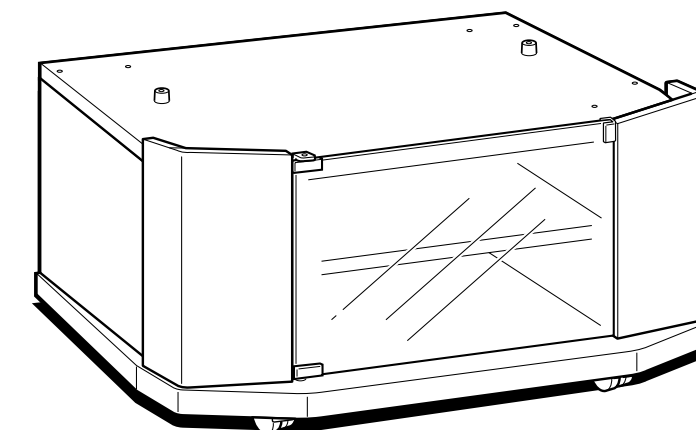
This AV rack is designed for use with Sony Projection TV KP-EF41. It is designed to hold a VCR or other equipment inside.

#####

#####

#####

#####



Parts list/#####/#####

Assembling the AV Rack/#####/#####

Symbol	Parts name	Q'ty
#####	#####	###
#####	#####	###
(A)	Casters	4
#####	#####	#
#####	#####	4
(B)	Bottom board	1
#####	#####	#
#####	#####	1
(C, D)	Side boards (left/right)	2
#####	#####	#
#####	#####	2
(E, F)	Dividers (left/right)	2
#####	#####	#
#####	#####	2
(G)	Screws (large)	24
#####	#####	#
#####	#####	24
(H)	Top board	1
#####	#####	#
#####	#####	1
(I, J)	Front panels (left/right)	2
#####	#####	#
#####	#####	2
(K)	Rear panel	1
#####	#####	#
#####	#####	1
(L)	Screws (small)	12
#####	#####	#
#####	#####	12
(M)	Shelf	1
#####	#####	#
#####	#####	1
(N)	Dowels	4
#####	#####	#
#####	#####	4
(O)	Glass door	1
#####	#####	#
#####	#####	1
(P)	Stoppers	2
#####	#####	#
#####	#####	2

1 Attach the casters (A) to the bottom board (B).

Arrow direction shows front.

2 Attach the side boards (C, D) and dividers (E, F).

3 Attach the top board (H).

4 Attach the front panels (I, J).

5 Attach the rear panel (K).

6 Attach the shelf (M).

You can choose the shelf level according to the height of the VCR or other equipment.

7 Attach the glass door (O).

- Loosen the screw of the lower hinge and insert it to the bottom board.
- Insert the upper hinge.
- While pushing upward, slide the glass into the hinge, then tighten the screws.

8 Adjust the glass door.

Loosen the screws and adjust the angle of the glass door if it does not open or close smoothly.

9 Attach the stoppers (P).

The shaded part of the rear panel may be removed for the wiring.

Free Manuals Download Website

<http://myh66.com>

<http://usermanuals.us>

<http://www.somanuals.com>

<http://www.4manuals.cc>

<http://www.manual-lib.com>

<http://www.404manual.com>

<http://www.luxmanual.com>

<http://aubethermostatmanual.com>

Golf course search by state

<http://golfingnear.com>

Email search by domain

<http://emailbydomain.com>

Auto manuals search

<http://auto.somanuals.com>

TV manuals search

<http://tv.somanuals.com>