

Lens for Digital Single Lens Reflex Camera

Operating Instructions

1.4X Teleconverter 2X Teleconverter

SAL14TC/20TC

©2006 Sony Corporation Printed in Japan



2685152110

<http://www.sony.net/>

WARNING

To reduce fire or shock hazard, do not expose the unit to rain or moisture.
Do not directly look at the sun through this lens.
Doing so might harm your eyes or cause loss of eyesight.
Keep the lens out of reach of small children.
There is danger of accident or injury.



Disposal of Old Electrical & Electronic Equipment (Applicable in the European Union and other European countries with separate collection systems)

This symbol on the product or on its packaging indicates that this product shall not be treated as household waste. Instead it shall be handed over to the applicable collection point for the recycling of electrical and electronic equipment. By ensuring this product is disposed of correctly, you will help prevent potential negative consequences for the environment and human health, which could otherwise be caused by inappropriate waste handling of this product. The recycling of materials will help to conserve natural resources. For more detailed information about recycling of this product, please contact your local Civic Office, your household waste disposal service or the shop where you purchased the product.

For the customers in the U.S.A.

THIS DEVICE COMPLIES WITH PART 15 OF THE FCC RULES.
OPERATION IS SUBJECT TO THE FOLLOWING TWO CONDITIONS:

(1) THIS DEVICE MAY NOT CAUSE HARMFUL INTERFERENCE,
AND (2) THIS DEVICE MUST ACCEPT ANY INTERFERENCE
RECEIVED, INCLUDING INTERFERENCE THAT MAY CAUSE
UNDESIRE OPERATION.

CAUTION

You are cautioned that any changes or modifications not expressly approved in this manual could void your authority to operate this equipment.

NOTE:

This equipment has been tested and found to comply with the limits for a Class B digital device, pursuant to Part 15 of the FCC Rules. These limits are designed to provide reasonable protection against harmful interference in a residential installation. This equipment generates, uses, and can radiate radio frequency energy and, if not installed and used in accordance with the instructions, may cause harmful interference to radio communications.

However, there is no guarantee that interference will not occur in a particular installation. If this equipment does cause harmful interference to radio or television reception, which can be determined by turning the equipment off and on, the user is encouraged to try to correct the interference by one or more of the following measures:

- Reorient or relocate the receiving antenna.
- Increase the separation between the equipment and receiver.
- Connect the equipment into an outlet on a circuit different from that to which the receiver is connected.
- Consult the dealer or an experienced radio/TV technician for help.

For the customers in Canada

This Class B digital apparatus complies with Canadian ICES-003.

The 1.4X Teleconverter (SAL14TC)/2X Teleconverter (SAL20TC) functions to increase the focal length of the attached lens by 1.4X (SAL14TC)/2.0X (SAL20TC) when mounted between the camera and lens.

This teleconverter is designed for Sony **α** cameras.

Notes on use

- Do not leave the teleconverter in direct sunlight. If sunlight is focused onto a nearby object, it may cause a fire. If circumstances necessitate leaving the teleconverter in direct sunlight, be sure to attach the lens cap.
- Be careful not to subject the teleconverter to mechanical shock while attaching it.
- Always place the lens caps on the teleconverter when storing.
- Do not keep the teleconverter in a very humid place for a long period of time to prevent mold.
- Hold both the camera and lens, when you carry the camera with the lens attached.
- Do not touch the lens contacts. If dirt, etc., gets on the lens contacts, it may interfere or prevent the sending and receiving of signals between the lens and the camera, resulting in operational malfunction.

Condensation

If your lens is brought directly from a cold place to a warm place, condensation may appear on the lens. To avoid this, place the teleconverter in a plastic bag or something similar. When the air temperature inside the bag reaches the surrounding temperature, take the teleconverter out.

Cleaning the teleconverter

- Do not touch the surface of the lens directly.
- If the lens gets dirty, brush off dust with a lens blower and wipe with a soft, clean cloth (Cleaning Cloth KK-CA (optional) is recommended).
- Do not use any organic solvent, such as thinner or benzine, to clean the teleconverter.

Compatible Lenses and Functions

This teleconverter is designed exclusively for use with the lenses listed below. Do not attach other lenses, otherwise the teleconverter or lens may be damaged.

How to read the table

AF: Auto focus

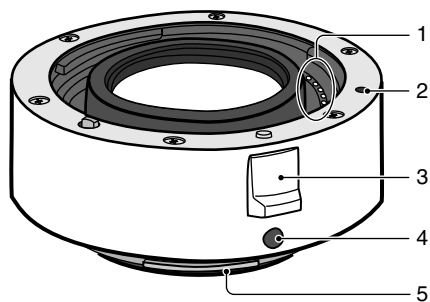
MF: Manual focus. The viewfinder focus indicator is lit when the subject is in focus.

	1.4X Teleconverter	2X Teleconverter
70-200mm F2.8 G (SAL70200G)	AF MF	AF MF
300mm F2.8 G (SAL300F28G)	AF MF	AF MF
135mm F2.8 [T4.5] STF (SAL135F28)	MF*	MF*

* The viewfinder focus indicator does not work.
Focus manually, monitoring the subject.

Names of parts

1...Lens contacts* 2...Lens mounting index 3...Lens release 4...Mounting index for camera body 5... α mount

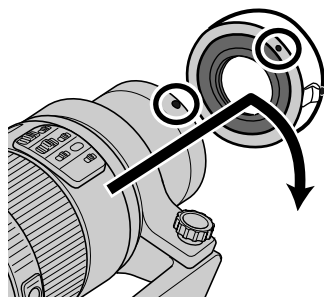


* Do not touch the lens contacts on the front and rear mounts.

Attaching and removing

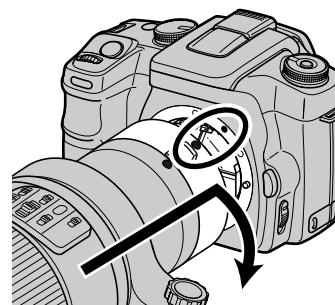
To attach the teleconverter

- 1 Remove the camera body cap, rear lens cap, and teleconverter's front and rear lens caps.
To remove the teleconverter's caps, turn the front and rear lens caps counterclockwise.
- 2 Align the mounting index on the lens barrel with the orange lens mounting index on the teleconverter. Insert the lens into the teleconverter mount and turn it clockwise until it locks into place.



- Do not press the lens release on the teleconverter when mounting the lens. The lens will not couple properly.
- Do not insert the lens at an angle.

- 3 Align the mounting index for camera body on the teleconverter with the orange index on the camera. Insert the teleconverter into the camera mount and turn it clockwise until it locks into place.

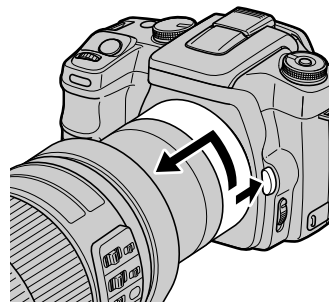


- Do not press the lens release button on the camera when mounting the teleconverter. The teleconverter will not couple properly.
- Do not insert the teleconverter at an angle.

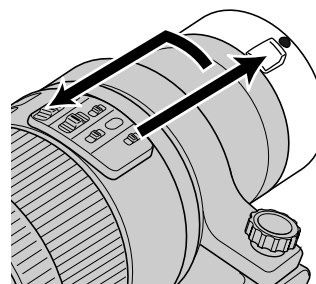
- Always attach the lens to the teleconverter before attaching the teleconverter to the camera. Attaching them in reverse order may result in incorrect metering.
- Do not use more than one teleconverter with a lens. Damage may result.

To remove the teleconverter

- 1 Hold down the lens release button on the camera body and turn the teleconverter and lens counterclockwise until they stop. Carefully lift the teleconverter out of the camera mount.



- 2 Hold down the lens release on the teleconverter and turn the lens counterclockwise until it stops. Carefully lift the lens out of the teleconverter mount.



Notes on shooting

While the teleconverter increases the focal length of the attached lens, it reduces the effective aperture of the attached lens.* The camera's TTL metering compensates for the effective aperture automatically. The teleconverter does not affect the lens' distance scale; it can be read in the normal way. The lens' depth of field is shallower when using the teleconverter.*

- * See the following specifications for further information.
- Because of the increase in focal length and decrease in effective aperture, use a tripod to reduce camera shake.
- In low light conditions, such as with dim fluorescent light, the camera may not be able to focus. Use focus lock on high contrast subject or manual focus.

Specifications

1.4X Teleconverter (SAL14TC)

Effective focal length	1.4X that of the attached lens
f-stop*1	1 f-stop higher from that of the attached lens
Lens groups/elements	5 elements in 4 groups
Minimum focus*2	Same as that of the attached lens
Maximum magnification	1.4X that of the attached lens
Depth of field	Approx. 1/1.4 that of the attached lens
Dimensions (maximum diameter \times height)	Approx. 64 \times 20 mm (2 1/2 \times 13/16 in.)
Mass	Approx. 170 g (6 oz.)

2X Teleconverter (SAL20TC)

Effective focal length	2.0X that of the attached lens
f-stop*1	2 f-stop higher from that of the attached lens
Lens groups/elements	6 elements in 5 groups
Minimum focus*2	Same as that of the attached lens
Maximum magnification	2.0X that of the attached lens
Depth of field	Approx. 1/2 that of the attached lens
Dimensions (maximum diameter \times height)	Approx. 64 \times 43.5 mm (2 1/2 \times 1 11/16 in.)
Mass	Approx. 200 g (7 1/16 oz.)

*1 When 135mm F2.8 [T4.5] STF (SAL135F28) is attached, a 1 or 2 stop increase of the T-number (T No.).

*2 Minimum focus is the shortest distance from the image sensor to the subject.

Included items: Teleconverter (1), Front lens cap (1), Rear lens cap (1), Lens case (1), Set of printed documentation

Designs and specifications are subject to change without notice.

α is a trademark of Sony Corporation.

Free Manuals Download Website

<http://myh66.com>

<http://usermanuals.us>

<http://www.somanuals.com>

<http://www.4manuals.cc>

<http://www.manual-lib.com>

<http://www.404manual.com>

<http://www.luxmanual.com>

<http://aubethermostatmanual.com>

Golf course search by state

<http://golfingnear.com>

Email search by domain

<http://emailbydomain.com>

Auto manuals search

<http://auto.somanuals.com>

TV manuals search

<http://tv.somanuals.com>