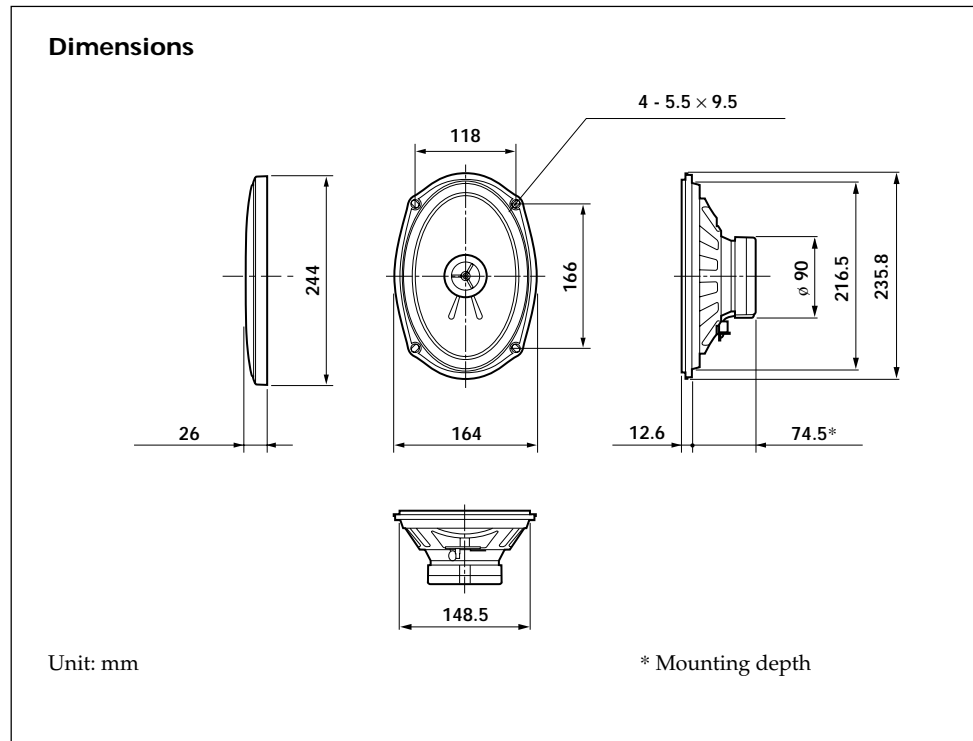


Specifications

Speaker	Coaxial 2-way: Woofer 16 × 24 cm, polypropylene cone type Tweeter 3.5 cm, PEI, balance dome type
Maximum input power	160 W
Rated input power	40 W
Impedance	4 ohms
Sensitivity	90 dB/W/m
Frequency response	30 – 30,000 Hz
Mass	Approx. 1,065 g per speaker

Design and specifications are subject to change without notice.



SONY

3-046-194-11 (1)

16 × 24cm Coaxial 2-way Speaker

Instructions

XS-F6920SL

Sony Corporation © 2000 Printed in China

Precautions

- Do not continuously drive the speaker system over the power handling capacity.
- Keep recorded tapes, watches, and personal credit cards using magnetic coding away from the speaker system to protect them from damage caused by the magnets in the speakers.

If you cannot find an appropriate mounting location, consult your car dealer or your nearest Sony dealer before mounting.

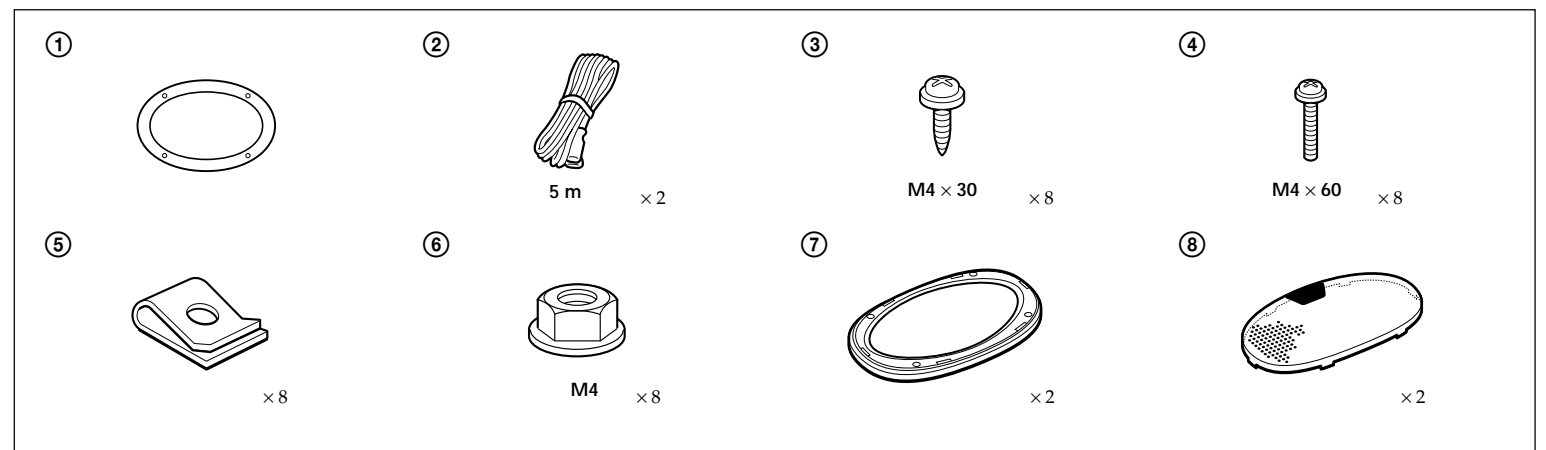
Mounting

Before Mounting

- A depth of at least 74.5 mm is required for mounting the woofer. Keep the following in mind when choosing a mounting location.
- A hole may already be provided in the metal frame of the front door.
- Make sure that the speaker does not hinder the movement of torsion bar springs, etc. of the trunk lid.
- The speaker should not touch the window or the seat.

If you cannot find an appropriate mounting location, check with your car dealer or consult the nearest Sony dealer.

Parts List

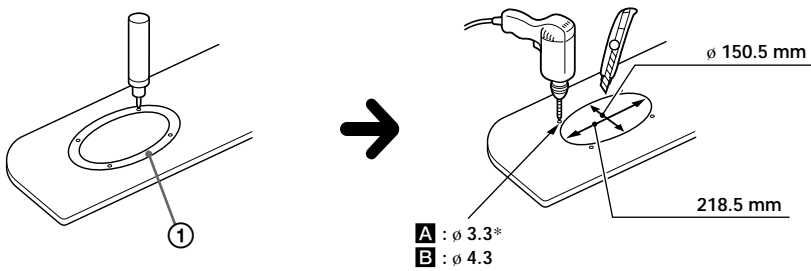


Mounting example

1

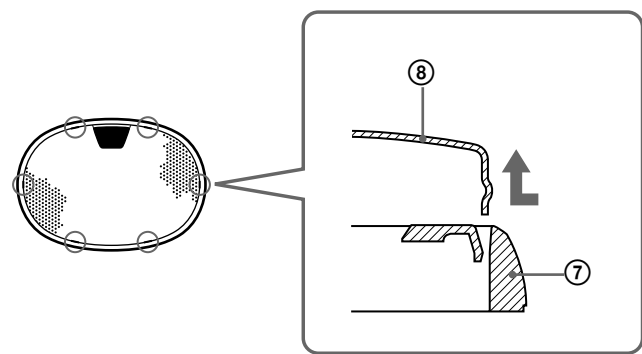
Mark the four bolt holes. Make them 3.3 mm* in diameter for **A** or 4.3 mm in diameter for **B**.

* When using ⑤ = 5 mm

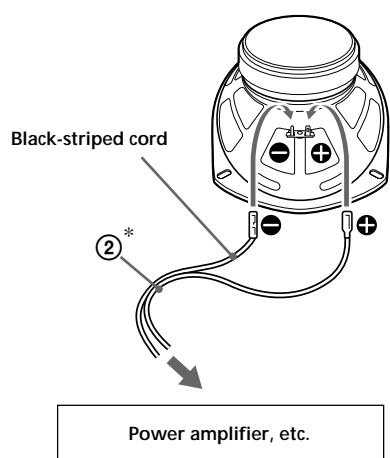


2

Remove the grille net.



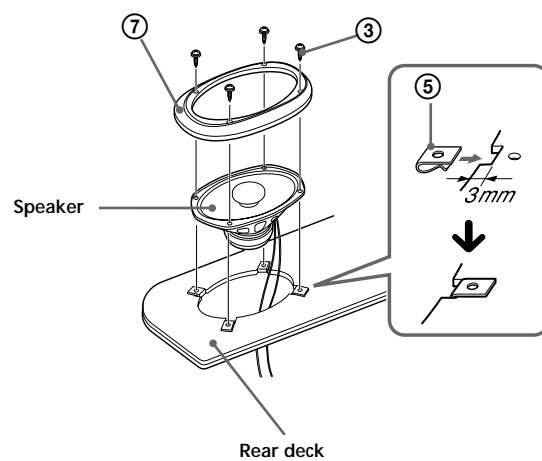
3



* White cord — Left speaker
Grey cord — Right speaker

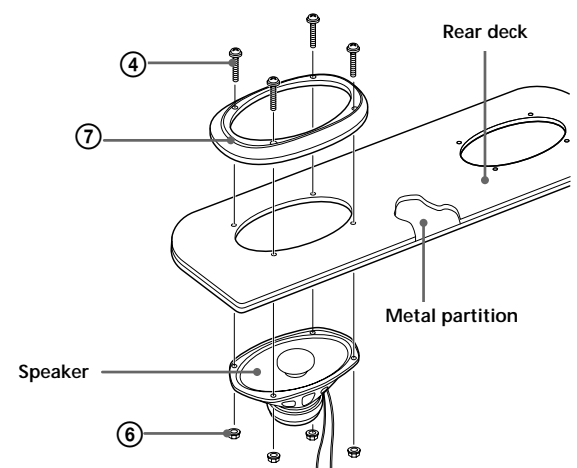
4 A

Mounting from the car interior (Top mounting)



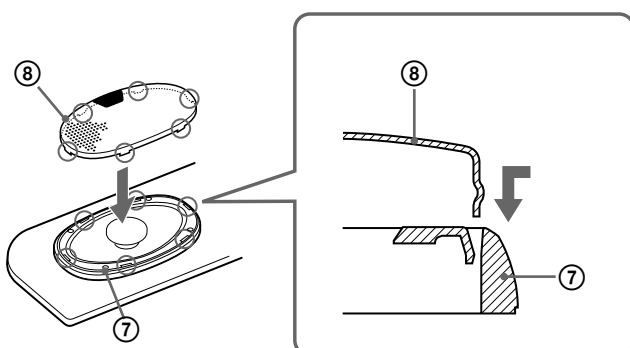
B

Mounting from the trunk (Bottom mounting)

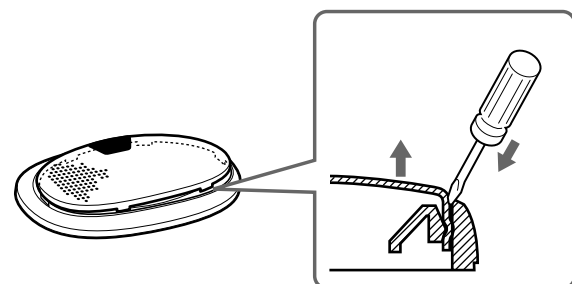


5

Press and insert the edges of the grille net.



How to remove the grille net



Free Manuals Download Website

<http://myh66.com>

<http://usermanuals.us>

<http://www.somanuals.com>

<http://www.4manuals.cc>

<http://www.manual-lib.com>

<http://www.404manual.com>

<http://www.luxmanual.com>

<http://aubethermostatmanual.com>

Golf course search by state

<http://golfingnear.com>

Email search by domain

<http://emailbydomain.com>

Auto manuals search

<http://auto.somanuals.com>

TV manuals search

<http://tv.somanuals.com>