

XR-C8100/C8100R

SERVICE MANUAL

AEP Model

UK Model

XR-C8100R

E Model

XR-C8100



Photo : XR-C8100R

Model Name Using Similar Mechanism	XR-C7200/C7200W
Tape Transport Mechanism Type	MG-25D-136

SPECIFICATIONS

Cassette player section

Tape track	4-track 2-channel stereo
Wow and flutter	0.08 % (WRMS)
Frequency response	30 - 20,000 Hz (C8100) 10 - 20,000 Hz (C8100R)

Signal-to-noise ratio

Cassette type	Dolby B NR	Dolby NR off
TYPE II, III, IV	67 dB	61 dB
TYPE I	64 dB	58 dB

Tuner section

FM

Tuning range	C8100: FM tuning interval: 50 kHz / 200 kHz switchable 87.5 - 108.0 MHz (at 50 kHz step) 87.5 - 107.9 MHz (at 200 kHz step) C8100R: 87.5 - 108.0 MHz
Aerial terminal	External antenna connector
Intermediate frequency	10.7 MHz
Usable sensitivity	9 dBf
Selectivity	75 dB at 400 kHz
Signal-to-noise ratio	65 dB (stereo), 68 dB (mono)
Harmonic distortion at 1 kHz	0.7% (stereo), 0.4% (mono)
Separation	35 dB at 1 kHz
Frequency response	30 - 15,000 Hz
Capture ratio	2 dB

AM (C8100)

Tuning range	AM tuning interval: 9 kHz / 10 kHz switchable 531 - 1,602 kHz (at 9 kHz step) 530 - 1,710 kHz (at 10 kHz step)
Aerial terminal	External antenna connector
Intermediate frequency	10.71 MHz / 450 kHz
Sensitivity	30 μ V

MW/LW (C8100R)

Tuning range	MW: 531 - 1,602 kHz LW: 153 - 281 kHz
Aerial terminal	External antenna connector
Intermediate frequency	10.71 MHz / 450 kHz
Sensitivity	MW: 30 μ V LW: 50 μ V

Power amplifier section

Outputs	Speaker outputs (sure seal connectors)
Speaker impedance	4 - 8 ohms
Maximum power output	45 W \times 4 (at 4 ohms)

– Continued on next page –

FM/AM CASSETTE CAR STEREO

XR-C8100

FM/MW/LW CASSETTE CAR STEREO

XR-C8100R



SONY®

General

Outputs	Line outputs (3) Power antenna relay control lead Power amplifier control lead Telephone ATT control lead Illumination control lead (C8100)
Tone controls	Bass ± 10 dB at 100 Hz Treble ± 10 dB at 10 kHz
Power requirements	12 V DC car battery (negative ground)
Dimensions	Approx. 178 \times 50 \times 180 mm (w/h/d)
Mounting dimensions	Approx. 182 \times 53 \times 160 mm (w/h/d)
Mass	Approx. 1.5 kg
Supplied accessories	Rotary commander RM-X4S (1) Wireless remote RM-X47 (1) (C8100) Parts for installation and connections (1 set) Front panel case (1)

Design and specifications are subject to change without notice.

Dolby noise reduction manufactured under license from Dolby Laboratories Licensing Corporation.
"DOLBY" and the double-D symbol \square are trademarks of Dolby Laboratories Licensing Corporation.

Notes on Chip Component Replacement

- Never reuse a disconnected chip component.
- Notice that the minus side of a tantalum capacitor may be damaged by heat.

TABLE OF CONTENTS

1. GENERAL

Location of Controls	3
Getting Started	4
Setting the Clock	4
Cassette Player	5
Radio	6
RDS	7
Other Functions	10
CD/MD Unit	11
Connections	16

2. DISASSEMBLY

2-1. Cover	18
2-2. Front Panel Assy	18
2-3. Sub Panel Assy	19
2-4. Mechanism Deck	19
2-5. Main Board	20
2-6. Heat Sink	20

3. ASSEMBLY OF MECHANISM DECK

Housing	21
Arm (Suction)	21
Lever (LDG-A) / (LDG-B)	22
Gear (Loading FT)	22
Guide (C)	23
Mounting Position of Capstan/Reel Motor (M901)	23

4. MECHANICAL ADJUSTMENTS

5. ELECTRICAL ADJUSTMENTS

Tape Section	24
Tuner Section	25

6. DIAGRAMS

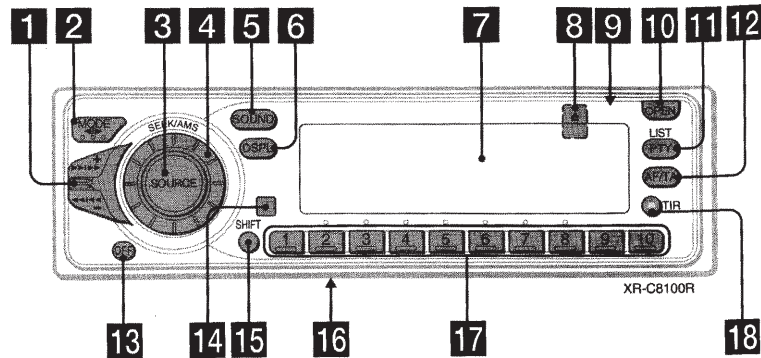
6-1. Block Diagram –Tape Section–	29
6-2. Block Diagram –Tuner Section–	31
6-3. Block Diagram –Main Section–	33
6-4. Printed Wiring Boards –Main Section–	36
6-5. Schematic Diagram –Main Section–	41
6-6. Printed Wiring Board –Display Section–	46
6-7. Schematic Diagram –Display Section–	48
6-8. IC Pin Description	51

7. EXPLODED VIEWS

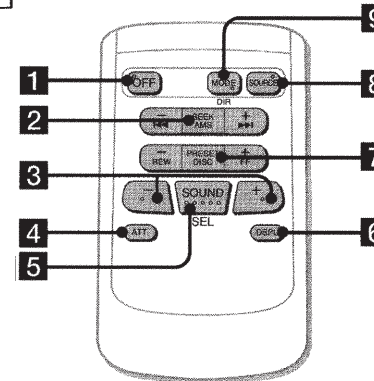
7-1. Chassis Section	57
7-2. Front Panel Section	58
7-3. Mechanism Deck Section	59

8. ELECTRICAL PARTS LIST

Location of controls



Optional wireless remote (RM-X47)



EN

Refer to the pages for details.

- 1** SEEK/AMS (seek/Automatic Music Sensor/manual search) control 9, 11, 13, 16, 17, 22, 23, 25, 28
- 2** MODE (◀▶) button
During tuner reception:
BAND select 10, 11
During tape reception:
Transport direction change 8, 9
During CD or MD playback:
CD/MD Unit select 21, 23, 24, 27
- 3** SOURCE (TAPE/TUNER/CD/MD) button 8, 10, 11, 21, 23, 27
- 4** Dial (volume/subwoofer volume/bass/treble/left-right/rear-front control) 7, 26
- 5** SOUND button 20
- 6** DSPL (display mode change) button 11, 12, 21, 22, 26, 27
- 7** Display window
- 8** ▲ (eject) button (located on the front side of the unit behind by the front panel) 8
- 9** Reset button (located on the front side of the unit behind by the front panel) 6
- 10** OPEN button 6, 8
- 11** PTY/LIST button
Disc Memo 26, 27
List-up 27
RDS Programme 17
- 12** AF/TA button 13, 14, 15
- 13** OFF button 6, 8
- 14** Receptor for the optional wireless remote
- 15** SHIFT button
PLAY MODE 9, 10, 11, 13, 15, 22, 23, 24, 25, 28
REP 10, 23
SET UP 7, 18, 20, 21, 22
SHUF 23
- 16** POWER SELECT switch (located on the bottom of the unit)
See "POWER SELECT Switch" in the Installation/Connections manual.
- 17** During radio reception:
Number buttons 11
During CD/MD playback:
Direct disc selection buttons 22
- 18** TIR button 15, 16

EN

The buttons of the wireless remote work the same functions as those on this unit.

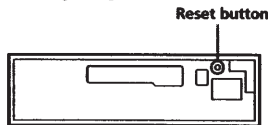
- 1** OFF button
- 2** SEEK/AMS button
- 3** - + buttons
- 4** ATT button
- 5** SOUND/SEL button
- 6** DSPL button
- 7** PRESET/DISC button
You cannot do manual search and manual tuning with the remote.
- 8** SOURCE button
- 9** MODE/DIR button
(MODE) controls the same function on this unit.

When the POWER SELECT switch is set to the ⑤ position, the unit cannot be operated with the wireless remote unless (SOURCE) on the unit is pressed or a cassette is inserted to activate the unit first.

Getting Started

Resetting the unit

Before operating the unit for the first time or after replacing the car battery, you must reset the unit. Press the reset button with a pointed object, such as a ballpoint pen.



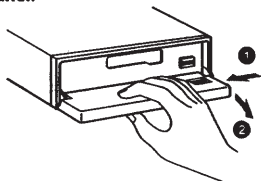
Note
Pressing the reset button will erase the clock and some memorised functions.

EN

Detaching the front panel

You can detach the front panel of this unit to prevent the unit from being stolen.

- 1 Press **(OFF)**.
- 2 Press **(OPEN)** to open up the front panel, then slide the front panel to the left side, and pull out the right side of the front panel.

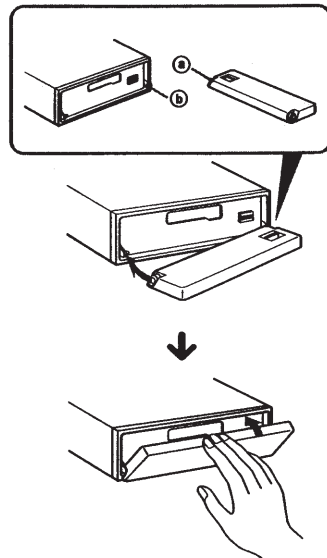


Notes

- Do not put anything on the inner surface of the front panel.
- Be sure not to drop the panel when detaching it from the unit.
- If you detach the panel while the unit is still on, the power will turn off automatically to prevent the speakers from being damaged.
- When you carry the front panel with you, put it in the supplied front panel case.

Attaching the front panel

Place the hole (a) in the front panel onto the spindle (b) on the unit as illustrated, then push the left side in.



Notes

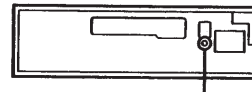
- Be sure not to attach the front panel upside down.
- Do not press the front panel hard against the unit when attaching it. Press it lightly against the unit.
- Do not press hard or put excessive pressure on the display windows of the front panel.
- Do not expose the front panel to direct sunlight, heat sources such as hot air ducts, and do not leave it in a humid place. Never leave it on the dashboard of a car parked in direct sunlight where there may be a considerable rise in temperature.

Caution alarm

If you turn the ignition key switch to the OFF position without removing the front panel, the caution alarm will beep for a few seconds (only when the POWER SELECT switch on the bottom of the unit is set to the (A) position).

TIR indicator

If you pull out the ignition key while the TIR function is on, the TIR indicator flashes a few times. (only when the POWER SELECT switch on the bottom of the unit is set to the (A) position).

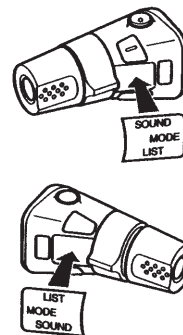


TIR indicator

For more information on the TIR function, refer to "Recording the traffic announcements" (page 16).

Preparing the rotary commander

When you mount the rotary commander, attach the label in the illustration below.

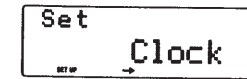


Setting the clock

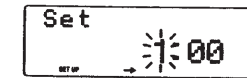
The clock uses a 24-hour digital indication.

Example: Set the clock to 10:08

- 1 Press **(SHIFT)**, then press **(3) (SET UP)**.

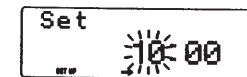


- 1 Press **(5) (→)**.

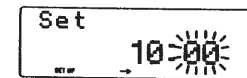


The hour digit flashes.

- 2 Set the hour.

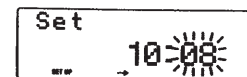


- 3 Press **(5) (→)**.

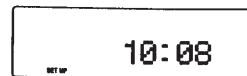


The minute digits flash.

- 4 Set the minute.



- 2 Press **(SHIFT)**.



The clock starts.

continue to next page →

EN

Getting Started

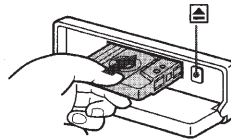
- 3** Press **(SHIFT)**.
After the mode setting is complete, the display goes back to normal playback mode.

Note
If the **POWER SELECT** switch on the bottom of the unit is set to the **⊙** position, turn the power on first, then set the clock.

Cassette Player

Listening to a tape

- 1** Press **(OPEN)** and insert a cassette.



- 2** Close the front panel.
Playback starts automatically.

If a cassette is already inserted, press **(SOURCE)** repeatedly until "FWD" or "REV" appears to start playback.

The side facing up is being playback.



The side facing down is being playback.



- Tips**
- To change the tape transport direction, press **(MODE)** (**◀▶**).
 - "Metal" appears in the display when you insert a metal or CrO₂ tape (Auto Metal function).

To	Press
Stop playback	(OFF)
Eject the cassette	(OPEN) then ⬆

Fast-winding the tape

During playback, push the **SEEK/AMS** control up or down and hold.

Fast-forward



Rewind

To start playback during fast-forwarding or rewinding, press **(MODE)**.

Locating a specific track

— Automatic Music Sensor (AMS)

You can skip up to nine tracks at one time.

During playback, push the **SEEK/AMS** control up or down momentarily.

To locate succeeding tracks



To locate preceding tracks

Note
The AMS function may not work when:

- the blanks between tracks are shorter than four seconds
- there is noise between tracks
- there are long sections of low volume or quiet sections.

Changing the display item

Each time you press **(DSPL)**, the item changes as follows:



- *1 While the AFITA function is activated.
*2 All the items above are scrolled in the display one by one in order.

Playing a tape in various modes

- You can play the tape in various modes:
- Intro (Intro Scan) lets you play the first 10 seconds of all the tracks.
 - NR (Dolby NR) lets you select the Dolby* NR B system.
 - B. Skip (Blank Skip) skips blanks longer than eight seconds.
 - ATA (Automatic Tuner Activation) turns on the tuner automatically while fast-winding the tape.
 - Repeat (Repeat Play) repeats the current track.
- * Dolby noise reduction manufactured under license from Dolby Laboratories Licensing Corporation. "DOLBY" and the double-D symbol are trademarks of Dolby Laboratories Licensing Corporation.

Searching for the desired track

— Intro scan

- 1** Press **(SHIFT)**.
Every time you press **(SHIFT)**, only the items you can select light up.



- 2** Press **(4)** (PLAY MODE) repeatedly until "Intro" appears.
Each time you press **(4)** (PLAY MODE), the item changes as follows:
Intro → NR → B. Skip → ATA



- 3** Press **(5)** (**→**) to select "Intro on."



Intro Scan starts.

- 4** Press **(SHIFT)**.

To go back to normal playback mode, select "Intro off" in step 3 above.

EN

EN

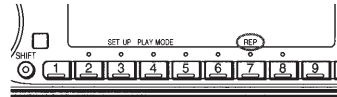
Getting Started/Cassette Player

Playing tracks repeatedly

— Repeat Play

1 During playback, press **(SHIFT)**.

2 Press **(7)** (REP) repeatedly until "Repeat" appears.



Repeat Play starts.

3 Press **(SHIFT)**.

To go back to normal playback mode, select "Repeat off" in step 2 above.

EN

Radio

Memorising stations automatically

— Best Tuning Memory (BTM)

The unit selects the stations with the strongest signals and memorises them in the order of their frequencies. You can store up to 10 stations on each band (FM1, FM2, MW and LW).

Caution

When tuning in stations while driving, use Best Tuning Memory to prevent accidents.

1 Press **(SOURCE)** repeatedly to select the tuner.

Each time you press **(SOURCE)**, the source changes as follows:

TAPE ↔ TUNER

2 Press **(MODE)** repeatedly to select the band.

Each time you press **(MODE)**, the band changes as follows:

→ FM1 → FM2 → MW → LW →

3 Press **(SHIFT)**, then press **(4)** (PLAY MODE) repeatedly until "B.T.M." appears.

4 Press **(5)** (→).

The unit stores stations in the order of their frequencies on the number buttons. A beep sound and the setting is stored.

5 Press **(SHIFT)**.

Notes

- The unit does not store stations with weak signals. If only a few stations are received, some number buttons will retain their former setting.
- When a number is indicated in the display, the unit starts storing stations from the one currently displayed.

Memorising only the desired stations

You can store up to 10 stations on each band (20 for FM1 and FM2, 10 for each MW and LW) in the order of your choice.

1 Press **(SOURCE)** repeatedly to select the tuner.

2 Press **(MODE)** repeatedly to select the band (FM1, FM2, MW or LW).

3 Push the SEEK/AMS control up or down to tune in the station you want to store on the number button.

4 Press and hold the desired number button (**(1)** to **(10)**) until "MEM" appears. The number button indication appears in the display.

Note

If you try to store another station on the same number button, the previously stored station will be erased.

Receiving the memorised stations

1 Press **(SOURCE)** repeatedly to select the tuner.

2 Press **(MODE)** repeatedly to select the band (FM1, FM2, MW or LW).

3 Press the number button (**(1)** to **(10)**) momentarily where the desired station is stored.

If you cannot tune in a preset station

Push the SEEK/AMS control up or down momentarily to search for the station (automatic tuning).

Scanning stops when the unit receives a station. Push the SEEK/AMS control up or down repeatedly until the desired station is received.

Note

If the automatic tuning stops too frequently, press **(SHIFT)**, then press **(4)** (PLAY MODE) repeatedly until "Local" (local seek mode) is displayed. Then press **(5)** (→) to select "Local on." Press **(SHIFT)**. Only the stations with relatively strong signals will be tuned in.

Tip

If you know the frequency of the station you want to listen to push the SEEK/AMS control up or down and hold until the desired frequency appears (manual tuning).

If FM stereo reception is poor

— Monaural Mode

1 Press **(SHIFT)**, then press **(4)** (PLAY MODE) repeatedly until "Mono" appears.

2 Press **(5)** (→) repeatedly until "Mono on" appears. The sound improves, but becomes monaural ("ST" disappears).

3 Press **(SHIFT)**.

To go back to normal mode, select "Mono off" in step 2 above.

Changing the displayed items

Each time you press **(DSPL)**, the item changes as follows:

→ Frequency (Station Name)*1 → Clock
MOTION DISPLAY*2 ←

*1 When you tune in an FM station that transmits RDS data, the station name appears.

*2 All the items above are scrolled in the display one by one in order.

EN

Cassette Player/Radio

RDS

Overview of the RDS function

Radio Data System (RDS) is a broadcasting service that allows FM stations to send additional digital information along with the regular radio programme signal. Your car stereo offers you a variety of services. Here are just a few: re-tuning the same programme automatically, listening to traffic announcements and locating a station by programme type.

Notes

- Depending on the country or region, not all of the RDS functions are available.
- RDS may not work properly if the signal strength is weak or if the station you are tuned to is not transmitting RDS data.

Displaying the station name

The name of the current station lights up in the display.

Select an FM station (page 10).
When you tune in an FM station that transmits RDS data, the station name appears in the display.



Note

The "*" indication means that an RDS station is being received.

Changing the displayed item

Each time you press (DSP/L), the item changes as follows:



* All the items above are scrolled in the display one by one in order.

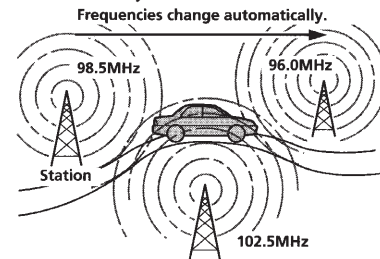
Note

"NO Name" appears if the received station does not transmit RDS data.

Re-tuning the same programme automatically

— Alternative Frequencies (AF)

The Alternative Frequencies (AF) function automatically selects and re-tunes the station with the strongest signal in a network. By using this function, you can continuously listen to the same programme during a long-distance drive without having to re-tune the station manually.



1 Select an FM station.

2 Press (AF/TA) repeatedly until "AF on" appears.
The unit starts searching for an alternative station with a stronger signal in the same network.

Note

When there is no alternative station in the area and you do not need to search for an alternative station, turn the AF function off by pressing (AF/TA) repeatedly until "AF TA off" appears.

Changing the displayed item

Each time you press (AF/TA), the item changes as follows:



* Select this to turn on both the AF and TA functions.

Notes

- "NO AF" and the station name flash alternately, if the unit cannot find an alternative station in the network.
- If the station name starts flashing after selecting a station with the AF function on, this indicates that no alternative frequency is available. Push the SEEK/AMS control up or down while the station name is flashing (within eight seconds). The unit starts searching for another frequency with the same PI (Programme Identification) data ("PI seek" appears and no sound is heard). If the unit cannot find another frequency, "NO PI" appears, and the unit returns to the originally selected frequency.

Listening to a regional programme

The "REG on" (regional on) function lets you stay tuned to a regional programme without being switched to another regional station. (Note that you must turn the AF function on.) The unit is factory preset to "REG on," but if you want to turn off the function, do the following.

1 Press (SHIFT), then press (4) (PLAY MODE) repeatedly until "REG" appears.

2 Press (5) (→) repeatedly until "REG off" appears.

3 Press (SHIFT).

Note that selecting "REG off" might cause the unit to switch to another regional station within the same network.

To go back to regional on, select "REG on" in step 2 above.

Note

This function does not work in the United Kingdom and in some other areas.

Local link function (United Kingdom only)

The Local Link function lets you select other local stations in the area, even though they are not stored on your number buttons.

1 Press a number button that has a local station stored on it.

2 Within five seconds, press the number button of the local station again.

3 Repeat this procedure until the desired local station is received.

Listening to traffic announcements

The Traffic Announcement (TA) and Traffic Programme (TP) data let you automatically tune in an FM station that is broadcasting traffic announcements even though you are listening to other programme sources.

Press **(AF/TA)** repeatedly until "TA on" or "AF TA on" appears.

The unit starts searching for traffic information stations. "TP" appears in the display when the unit finds a station broadcasting traffic announcements. When the traffic announcement starts, "TA" flashes. The flashing stops when the traffic announcement is over.

Tip
If the traffic announcement starts while you are listening to another programme source, the unit automatically switches to the announcement and goes back to the original source when the announcement is over.

EN

Notes

- "NO TP" flashes for five seconds if the received station does not broadcast traffic announcements. Then, the unit starts searching for a station that broadcasts traffic announcements.
- When "EON" appears with "TP" in the display, the current station makes use of broadcast traffic announcements by other stations in the same network.

To cancel the current traffic announcement

Press **(AF/TA)** momentarily.

To cancel all traffic announcements, turn off the function by pressing **(AF/TA)**, "AF TA off" appears.

Presetting the volume of traffic announcements

You can preset the volume level of the traffic announcements beforehand so you won't miss the announcement. When a traffic announcement starts, the volume will be automatically adjusted to the preset level.

- 1 Select the desired volume level.
- 2 Press **(AF/TA)** for two seconds. "TA" appears and the setting is stored.

Receiving emergency announcements

If an emergency announcement comes in while you are listening to the radio, the programme will automatically switch to the announcement. If you are listening to a source other than the radio, the emergency announcements will be heard if you set AF or TA to on. The unit will then automatically switch to these announcements no matter what you are listening to at the time.

Presetting the RDS stations with the AF and TA data

When you preset RDS stations, the unit stores each station's data as well as its frequency, so you don't have to turn on the AF or TA function every time you tune in the preset station. You can select a different setting (AF, TA, or both) for individual preset station, or the same setting for all preset stations.

Presetting the same setting for all preset stations

- 1 Select an FM band (page 10).
- 2 Press **(AF/TA)** repeatedly to select either "AF on," "TA on" or "AF TA on" (for both AF and TA functions).
Note that selecting "AF TA off" stores not only RDS stations, but also non-RDS stations.
- 3 Press **(SHIFT)**, then press **(4)** (PLAY MODE) repeatedly until "B.T.M" appears.

- 4 Press **(5)** (→) until "B.T.M" flashes.

- 5 Press **(SHIFT)**.

Presetting different settings for each preset station

- 1 Select an FM band, and tune in the desired station.
- 2 Press **(AF/TA)** repeatedly to select either "AF on," "TA on" or "AF TA on" (for both AF and TA functions).
- 3 Press the desired number button and hold until "MEM" appears. Repeat from step 1 for presetting other stations.

Tip
If you want to change the preset AF and/or TA setting after you tune in the preset station, you can do so by turning the AF or TA function on or off.

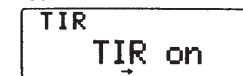
Recording the traffic announcements

—Traffic Information Replay (TIR)

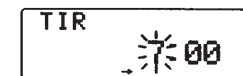
You can listen to the latest traffic announcements by recording them. The unit automatically records and stores up to eight traffic announcements. If the recording exceeds four minutes, the recorded announcements are updated, so you can always hear the latest information. The TIR function turns on the unit automatically and records the traffic announcements for up to two hours before and after a preset time.

Presetting the time and the station

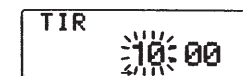
- 1 Press and hold **(TIR)** until "TIR" lights up in the display.
- 2 Press **(5)** (→) repeatedly until "TIR on" appears.



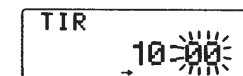
- 3 Press **(TIR)** repeatedly until the time indication appears.



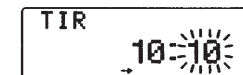
- 1 Set the hour by rotating the dial.



- 2 Press **(5)** (→) until the minute digits flash.



- 3 Set the minute by rotating the dial.



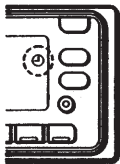
- 4 Press **(TIR)**.

EN

RDS

5 Select the desired station by pressing the preset number button or pushing the SEEK/AMS control up or down.

6 Press **(TIR)** for two seconds to return to the original display.
 ☉ lights up.



The unit turns on automatically and stands by for traffic announcements for four hours (two hours before and after the preset time).

If the preset station does not broadcast the traffic announcement while searching, the unit starts searching for other traffic programme (TP) stations.

EN

To cancel the TIR function

Select "TIR off" in step 2 above.

Tips

- While the unit is recording the traffic announcement, ☉ and "TA" flash.
- If the unit still cannot find a TP station, it starts a new search every five minutes until it finds one.
- If you pull out the ignition key while the TIR function is on, "TIR on" and ☉ flash a few times.

Notes

- The unit also stands by for traffic announcements for two hours after you turn off the engine, as long as the TIR function is on.
- If you have a power aerial, it automatically extends every time the unit searches for a traffic programme station.
 If you have a manual aerial, make sure that the aerial is fully extended.
- If you do not use your car for about ten days, the TIR function will turn off automatically to avoid battery wear, even if the TIR function is on.

Playing back the recorded traffic announcements

When there are recorded traffic announcements you have not listened to yet, ☉ flashes.

1 Press **(TIR)**.

The latest traffic announcement is played back. To listen to the previous ones, press **(TIR)** or push the SEEK/AMS control up. To replay the announcements, push the SEEK/AMS control down. "NO Data" appears if no traffic announcements were recorded.

2 Press **(TIR)** to go back to the original programme.

Locating a station by programme type

You can locate the station you want by selecting one of the programme types shown below.

Note

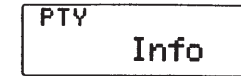
If you are in a country or region where EON data is not transmitted, you can use this function only for the stations you have tuned in once.

Programme types	Display
News	News
Current Affairs	Affairs
Information	Info
Sports	Sport
Education	Educate
Drama	Drama
Culture	Culture
Science	Science
Varied	Varied
Popular Music	Pop M
Rock Music	Rock M
Middle of the Road Music	M. o. R. M
Light Classical	Light M
Classical	Classics
Other Music Type	Other M
Weather	Weather
Finance	Finance
Children's programmes	Children
Social Affairs	Social A
Religion	Religion
Phone In	Phone In
Travel	Travel
Leisure	Leisure
Jazz Music	Jazz
Country Music	Country
National Music	Nation M
Oldies Music	Oldies
Folk Music	Folk M
Documentary	Document
Not specified	None

Note

You cannot use this function in some countries where no PTY (Programme Type selection) data is available.

1 Press **(PTY/LIST)** during FM reception until "PTY" appears.



The current programme type name appears if the station is transmitting the PTY data. "-----" appears if the received station is not an RDS station, or if the RDS data has not been received.

2 Press **(PTY/LIST)** repeatedly until the desired programme type appears.

The programme types appear in the order shown in the above table. Note that you cannot select "None" (Not specified) for searching.



3 Push the SEEK/AMS control up or down. The unit starts searching for a station broadcasting the selected programme type. When the unit finds the programme, the programme type appears again for five seconds.

"NO" and the programme type appear alternately for five seconds if the unit cannot find the programme type. It then returns to the previous station.

EN

RDS

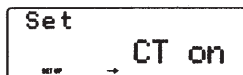
Setting the clock automatically

The CT (Clock Time) data from the RDS transmission sets the clock automatically.

- 1 Press **(SHIFT)**, then press **(3)** (SET UP) repeatedly until "CT" appears.



- 2 Press **(5)** (→) repeatedly until "CT on" appears. The clock is set.



EN

- 3 Press **(SHIFT)** to return to the normal display.

To cancel the CT function

Select "CT off" in step 2 above.

Notes

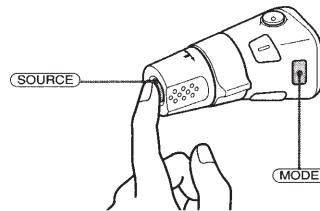
- The CT function may not work even though an RDS station is being received.
- There might be a difference between the time set by the CT function and the actual time.

Other Functions

Using the rotary commander

The rotary commander works by pressing buttons and/or rotating controls. You can control an optional CD or MD unit with the rotary commander.

By pressing buttons (the SOURCE and MODE buttons)



Each time you press **(SOURCE)**, the source changes as follows:

TAPE → TUNER → CD → MD

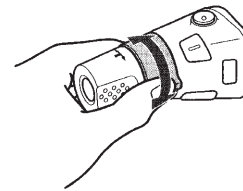
Pressing **(MODE)** changes the operation in the following ways;

- Tape transport direction
- Tuner : FM1 → FM2 → MW → LW
- CD unit : CD1 → CD2 → ...
- MD unit : MD1 → MD2 → ...

Tip

When the POWER SELECT switch is set to position **(I)**, you can turn on this unit by pressing **(SOURCE)** on the rotary commander.

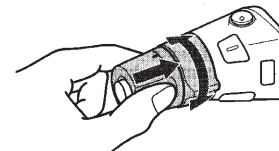
By rotating the control (the SEEK/AMS control)



Rotate the control momentarily and release it to:

- Locate the beginnings of the tracks on the tape. Rotate and hold the control, and release it to fast-wind the tape. To playback, rotate and hold the control again, and release it.
- Locate a specific track on a disc. Rotate and hold the control until you locate the specific point in a track, then release it to start playback.
- Tune in stations automatically. Rotate and hold the control to tune in a specific station.

By pushing in and rotating the control (the PRESET/DISC control)

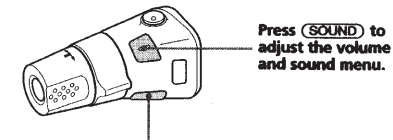
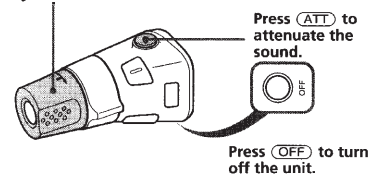


Push in and rotate the control to:

- Receive the stations memorised on the number buttons.
- Change the disc.

Other operations

Rotate the VOL control to adjust the volume.



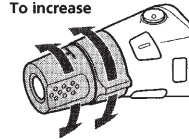
Press **(LIST)** to:

- Display the memorised names.
- Display the programme type.

Changing the operative direction

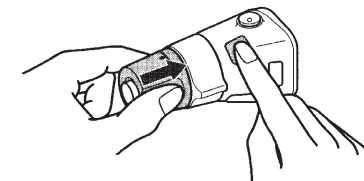
The operative direction of controls is factory-set as in the illustration below.

To increase



To decrease

If you need to mount the rotary commander on the right side of the steering column, you can reverse the operative direction.



Press **(SOUND)** for two seconds while pushing the VOL control.

Tip

You can control the operative direction of controls with the unit (page 20).

EN

RDS/Other Functions

Adjusting the sound characteristics

You can adjust the bass, treble, balance and fader. Each source can store the bass and treble levels respectively.

1 Select the item you want to adjust by pressing **(SOUND)** repeatedly.

VOL (volume) → SUB (subwoofer volume)
→ BAS (bass) → TRE (treble)
→ BAL (left-right) → FAD (front-rear)

2 Adjust the selected item by rotating the dial.

Adjust within three seconds after selecting the item. (After three seconds, the dial functions as the volume control.)

EN

Attenuating the sound

Press **(ATT)** on the rotary commander or wireless remote. "ATT on" flashes momentarily.

To restore the previous volume level, press **(ATT)** again.

Tip
The unit decreases the volume automatically when a telephone call comes in (Telephone ATT function).

Changing the sound and display settings

You can set:

- Clock (page 7).
- CT (Clock Time) (page 18).
- D.Info (Dual Information) to display the clock and the play mode at the same time (ON) or to display the information alternately (OFF).
- Amber/Green to change the illumination colour to amber or green.
- Dimmer to change the brightness of the display.
 - Select "Auto" to dim the display only when you turn the lights on.
 - Select "on" to dim the display.
- Contrast to adjust the contrast if the indications in the display are not recognizable because of the unit's installed position.
- Voice guide function for vocalized comments.
- Beep to turn on or off the beeps.
- RM (Rotary Commander) to change the operative direction of the controls of the rotary commander.
 - Select "norm" to use the rotary commander as the factory-set position.
 - Select "rev" when you mount the rotary commander on the right side of the steering column.
- Loud (Loudness) to enjoy bass and treble even at low volume. The bass and treble will be reinforced.
- LPF (Low Pass Filter).
- A. Scrl (Auto Scroll) (page 22).

1 Press **(SHIFT)**.

2 Press **(3)** (SET UP) repeatedly until the desired item appears.

Each time you press **(3)** (SET UP), the item changes as follows:

Clock → CT → D.Info* → Amber/Green → Dimmer → Contrast → Voice* → Beep → RM → Loud* → LPF* → A.Scrl*

* When the radio is off, or when there is no tape, CD, or MD being played, these items will not appear

Note

The displayed item will differ depending on the source.

3 Press **(5)** (→) to select the desired setting (for example: on or off). For the "Contrast" setting, pressing **(5)** (→) makes the contrast higher, and pressing **(2)** (←) makes the contrast lower.

4 Press **(SHIFT)**.

After the mode setting is complete, the display goes back to normal playback mode.

Adjusting the frequency of the subwoofer(s)

To match the characteristics of the connected subwoofer(s), you can cut out the unwanted high and middle frequency signals entering the subwoofer(s). By setting the cut-off frequency, the subwoofer(s) will output only low frequency signals so you can get a clearer sound image.

1 Press **(SOURCE)** to select a source (radio, tape, CD, or MD).

2 Press **(SHIFT)**, then press **(3)** (SET UP) repeatedly until "LPF" appears.

3 Press **(5)** (→) or **(2)** (←) repeatedly to select desired setting.

Set
LPF 120Hz

Each time you press **(5)** (→) or **(2)** (←), the cut-off frequency in the display changes as follows:

LPF 120 Hz ↔ LPF 80 Hz ↔ LPF off

4 Press **(SHIFT)**.

When the frequency setting is complete, the display goes back to the normal playback mode.

With Optional Equipment CD/MD Unit

You can control up to 7 CD and MD units with this unit.

If you connect an optional CD unit with the CD TEXT function, the CD TEXT information will appear in the display when you play back a CD TEXT disc.

Playing a CD or MD

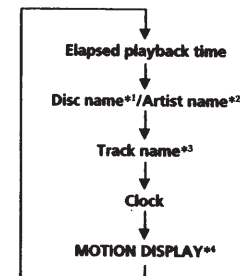
1 Press **(SOURCE)** repeatedly to select the CD or MD.

2 Press **(MODE)** until the desired unit appears. CD/MD playback starts.

When a CD/MD unit is connected, all the tracks play from the beginning.

Changing the displayed item

Each time you press **(DSPL)** during CD, CD TEXT or MD playback, the item changes as follows:



*1 If you have not labeled the disc or there is no disc name prerecorded on the MD, "NO D.Name" appears in the display.

*2 If you play a CD TEXT disc, the artist name appears in the display after the disc name. (Only for CD TEXT discs with the artist name.)

*3 If the track name of a CD TEXT disc or MD is not prerecorded, "NO T.Name" appears in the display.

*4 All the items above are scrolled in the display one by one in order.

EN

Other Functions/CD/MD Unit

You can label CD and CD TEXT discs with a personalized name using the disc memo function, refer to "Labeling a CD" (page 26). However, if you use personalized labels, they will always take priority over the original CD TEXT information when such information is displayed.

Tip
If the name of the MD or CD TEXT disc is too long, you can scroll it across the display by pressing (SHIFT), then (←).

Automatically scrolling a disc name — Auto Scroll

If the disc name/artist name or track name on a CD TEXT disc or MD exceeds 10 characters and the Auto Scroll function is on, automatically scrolls on the display as follows:

- The disc name appears when the disc has changed (if the disc name is selected).
- The track name appears when the track has changed (if the track name is selected).

EN

If you press (DSP/L) to change the display item, the disc or track name of the MD or CD TEXT disc is scrolled automatically whether you set the function on or off.

- 1 During playback, press (SHIFT).
- 2 Press (3) (SET UP) repeatedly until "A.Scr1" appears.
- 3 Press (5) (→) to select "A.Scr1 on."
- 4 Press (SHIFT).

To cancel Auto Scroll, select "A.Scr1 off" in step 2 above.

Note
For some CD TEXT discs with extremely many characters, the following cases may happen:
— Some of the characters are not displayed
— Auto Scroll does not work.

Locating a specific track — Automatic Music Sensor (AMS)

During playback, push the SEEK/AMS control up or down once for each track you want to skip.

To locate succeeding tracks



To locate preceding tracks

Locating a specific point in a track — Manual Search

During playback, push the SEEK/AMS control up or down and hold. Release when you have found the desired point.

To search forward



To search backward

Locating a disc by disc number — Direct Disc Selection

Press the number button that corresponds with the desired disc number.

The desired disc in the current changer begins playback.

Scanning the tracks

— Intro Scan

You can play the first 10 seconds of all the tracks on the current disc.

- 1 During playback, press (SHIFT), then press (4) (PLAY MODE) repeatedly until "Intro" appears.
- 2 Press (5) (→) to select "Intro on." Intro Scan starts.
- 3 Press (SHIFT).

To go back to normal playback mode, select "Intro off" in step 2 above.

Playing tracks repeatedly

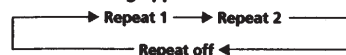
— Repeat Play

You can select:

- Repeat 1 to repeat a track.
- Repeat 2 to repeat a disc.

- 1 During playback, press (SHIFT).

- 2 Press (7) (REP) repeatedly until the desired setting appears.



Repeat Play starts.

- 3 Press (SHIFT).

To go back to normal playback mode, select "Repeat off" in step 2 above.

Playing tracks in random order — Shuffle Play

You can select:

- Shuf 1 to play the tracks on the current disc in random order.
- Shuf All to play all the tracks in random order.

- 1 During playback, press (SHIFT).

- 2 Press (8) (SHUF) repeatedly until the desired setting appears.



Shuffle Play starts.

- 3 Press (SHIFT).

To go back to normal playback mode, select "Shuf off" in step 2 above.

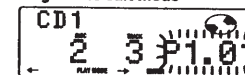
Creating a programme

— Programme Memory (CD/MD unit with the programme memory function)

You can play tracks in the order you want by making your own programme. You can make two programmes: Programme 1 and Programme 2. You can select up to 12 tracks for each programme. You can store the programmes in memory.

- 1 Press (SHIFT), then press (4) (PLAY MODE) for two seconds.

Programme edit mode



"P 1" shows Programme 1 is selected.

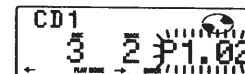
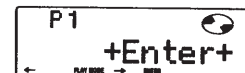
If you have labelled the disc, the bank edit mode appears. Press (4) (PLAY MODE) to display "P 1" above.

To select Programme 2, press (5) (→) repeatedly until "P 2" appears.

- 2 Select the track you want.

- 1 Press (SOURCE) repeatedly to select CD or MD.
- 2 Press (MODE) repeatedly to select the unit.
- 3 Press (SHIFT), then press the number button to select the disc.
- 4 Press (SHIFT).
- 5 Push the SEEK/AMS control up or down to select the track.

- 3 Press (6) (ENTER) momentarily.



- 4 To continue entering tracks, repeat steps 2 and 3.

EN

CD/MD Unit

- 5** When you finish entering tracks, press **(4)** (PLAY MODE) for two seconds.

- 6** Press **(SHIFT)**.

Notes

- *****Wait***** appears in the display while the unit is reading the data, or when a disc has not been put into the unit.
- ****Mem Full**** appears in the display when you try to enter more than 12 tracks into a programme.

Playing the stored programme

Changing the disc order in the unit will not affect programme memory play.

You can select:

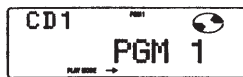
- PGM 1 to play Programme 1.
- PGM 2 to play Programme 2.
- PGM 1+2 to play Programmes 1 and 2.

- 1** Press **(SHIFT)**.

- 2** Press **(4)** (PLAY MODE) repeatedly until "PGM" appears.

- 3** Press **(5) (→)** repeatedly until the desired programme appears.

Programme 1 playback



Programme 2 playback



Programmes 1 and 2 playback



Normal playback



Programme Play starts.

- 4** Press **(SHIFT)**.

- 24** To go back to normal playback mode, select "PGM off" in step 3 above.

Notes

- If you press a number button during programme memory play, programme memory play is interrupted, and playback of the selected disc starts.
- **"NO Data"** appears in the display if no track is stored in the programme.
- If a track stored into the programme memory is not in the disc magazine, the track will be skipped.
- When the disc magazine contains no tracks stored into the programme memory, or when the programme information has not been loaded yet, **"Not ready"** appears.

Erasing an entire programme

- 1** Press **(SHIFT)**, then press **(4)** (PLAY MODE) for two seconds.



"P 1" shows Programme 1 is selected.

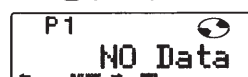
If you have labelled the disc, the bank edit mode appears. Press **(4)** (PLAY MODE) to display "P 1" above.

- 2** Press **(2) (←)** repeatedly until "DEL" appears.



To erase Programme 2, press **(5) (→)** repeatedly until "PGM 2" appears.

- 3** Press **(6) (ENTER)** for two seconds.



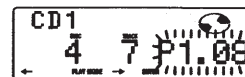
The entire programme is erased.

- 4** When you finish erasing programmes, press **(4)** (PLAY MODE) for two seconds.

- 5** Press **(SHIFT)**.

Adding tracks to a programme

- 1** Press **(SHIFT)**, then press **(4)** (PLAY MODE) for two seconds.



"P 1" shows Programme 1 is selected.

If you have labelled the disc, the bank edit mode appears. Press **(4)** (PLAY MODE) to display "P 1" above.

To select Programme 2, press **(5) (→)** repeatedly until "P 2" appears.

- 2** Press **(2) (←)** or **(5) (→)** to select the track slot number where you want to insert a track.

Track slot number



- 3** Push the SEEK/AMS control up or down to select the track you want to insert.

- 4** Press **(6) (ENTER)** momentarily to enter the track.

The current track in that slot number and the succeeding tracks shift down. To continue inserting tracks, repeat steps 2 through 4.

Note

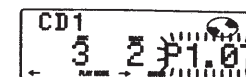
Once all 12 slots have been filled, ****Mem Full**** appears in the display, and you cannot insert tracks.

- 5** When you finish inserting tracks, press **(4)** (PLAY MODE) for two seconds.

- 6** Press **(SHIFT)**.

Erasing tracks in a programme

- 1** Press **(SHIFT)**, then press **(4)** (PLAY MODE) for two seconds.



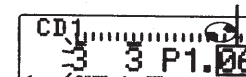
"P 1" shows Programme 1 is selected.

If you have labelled the disc, the bank edit mode appears. Press **(4)** (PLAY MODE) to display "P 1" above.

To select Programme 2, press **(5) (→)** repeatedly until "P 2" appears.

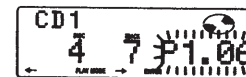
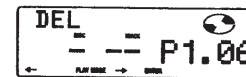
- 2** Press **(2) (←)** or **(5) (→)** to select the track you want to erase.

Track slot number



The track currently registered in slot 6 of Programme 1.

- 3** Press **(6) (ENTER)** for two seconds. When you erase a track from a slot number, the succeeding tracks shift up to fill the gap.



- 4** To continue erasing tracks, repeat steps 2 and 3.

- 5** When you finish erasing tracks, press **(4)** (PLAY MODE) for two seconds.

- 6** Press **(SHIFT)**.

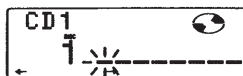
EN

CD/MD Unit

Labeling a CD — Disc Memo (CD unit with the custom file function)

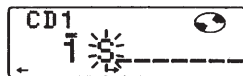
You can label each disc with a personalized name. You can enter up to eight characters for a disc. If you label a CD, you can locate the disc by name (page 27) and select the specific tracks for playback (page 28).

- 1 Play the CD and press **(PTY/LIST)** for two seconds.



- 2 Enter the characters.

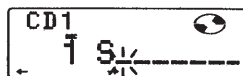
- 1 Rotate the dial clockwise to select the desired characters.
(A → B → C → ... Z → 0 → 1 → 2 → ... 9 → + → - → * → / → \ → > → < → . → _)



If you rotate the dial counterclockwise, the characters appear in the reverse order.

If you want to put a blank space between characters, select “_” (under-bar).

- 2 Press **(→)** after locating the desired character.
The flashing cursor moves to the next space.



If you press **(←)**, the flashing cursor moves to the left.

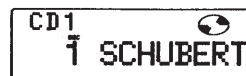
- 3 Repeat steps 1 and 2 to enter the entire name.

- 3 To return to normal CD playback mode, press **(PTY/LIST)** for two seconds.

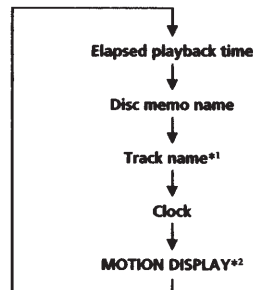
Tip
To erase/correct a name enter “_” (under-bar) for each character.

Displaying the disc memo name

Press **(DSPL)** during CD or CD TEXT disc playback.



Each time you press **(DSPL)** during CD or CD TEXT disc playback, the item changes as follows:



*1 If you connect an optional CD unit with the CD TEXT function, the CD TEXT information will appear in the display when you playback a CD TEXT disc.

*2 All the items above are scrolled in the display one by one in order.

Erasing the disc memo

- 1 Press **(SOURCE)** repeatedly to select CD.
- 2 Press **(MODE)** repeatedly to select the CD unit.
- 3 Press **(PTY/LIST)** for two seconds.
- 4 Press **(DSPL)** for two seconds.
- 5 Rotate the dial to select the name you want to erase.
- 6 Press **(ENTER)** for two seconds.
The name is erased.
Repeat steps 5 and 6 if you want to erase other names.
- 7 Press **(PTY/LIST)** for two seconds.
The unit returns to normal CD playback mode.

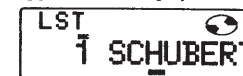
Note
When the personalized label is erased, the original CD TEXT information will appear in the display.

Locating a disc by name

— List-up (CD unit with the custom file function or MD unit)

You can use this function for discs that have been assigned a custom name. For more information on disc names, refer to “Labeling a CD” (page 26).

- 1 Press **(PTY/LIST)** momentarily.
The name assigned to the current disc appears in the display.



When you assign a disc memo label to a CD TEXT disc, it takes priority over the original CD TEXT information.

- 2 Press **(PTY/LIST)** repeatedly until you find the desired disc.
- 3 Press **(ENTER)** to play back the disc.

Notes

- After a disc name has been displayed for five seconds, the display goes back to normal playback mode. To turn off the display, press **(DSPL)**.
- The track names are not displayed during MD or CD TEXT disc playback.
- If there are no discs in the magazine, “NO Disc” appears in the display.
- If a disc has not been assigned a custom file, “*****” appears in the display.
- If the disc information has not been read by the unit, “?” appears in the display. To load the disc, first press the number button, then choose the disc that has not been loaded.
- The information appears only in upper case. There are also some letters which cannot be displayed (during MD or CD TEXT disc playback).

Selecting specific tracks for playback

— Bank (CD unit with the custom file function)

If you label the disc, you can set the unit to skip tracks and play only the tracks you want.

- 1 Start playing the disc and press **(SHIFT)**. Then press **(4)** (PLAY MODE) for two seconds.

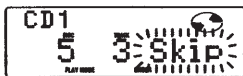
Bank edit mode.



Note

If you have not labeled the disc, the bank edit mode does not appear and the programme edit mode appears. To go back to normal playback mode, press **(4)** (PLAY MODE) for two seconds.

- 2 Push the SEEK/AMS control up or down to select the track number you want to skip and press **(6)** (ENTER).



The indication changes from "Play" to "Skip." If you want to return to "Play," press **(6)** (ENTER) again.

- 3 Repeat step 2 to set the "Play" or "Skip" mode on all the tracks.
- 4 Press **(4)** (PLAY MODE) for two seconds. The unit returns to normal CD playback mode.
- 5 Press **(SHIFT)**.

Notes

- You can set the "Play" and "Skip" mode on up to 24 tracks.
- You cannot set the "Skip" mode on all the tracks.

Playing the specific tracks only

You can select:

- Bank on to play the tracks with the "Play" setting.
- Bank inv (Inverse) to play the tracks with the "Skip" setting.

- 1 During playback, press **(SHIFT)**, then press **(4)** (PLAY MODE) repeatedly until "Bank" appears.

- 2 Press **(5)** (→) to repeatedly until the desired setting appears.



Playback starts from the track following the current one.

- 3 Press **(SHIFT)**.

To go back to normal playing mode, select "Bank off" in step 2 above.

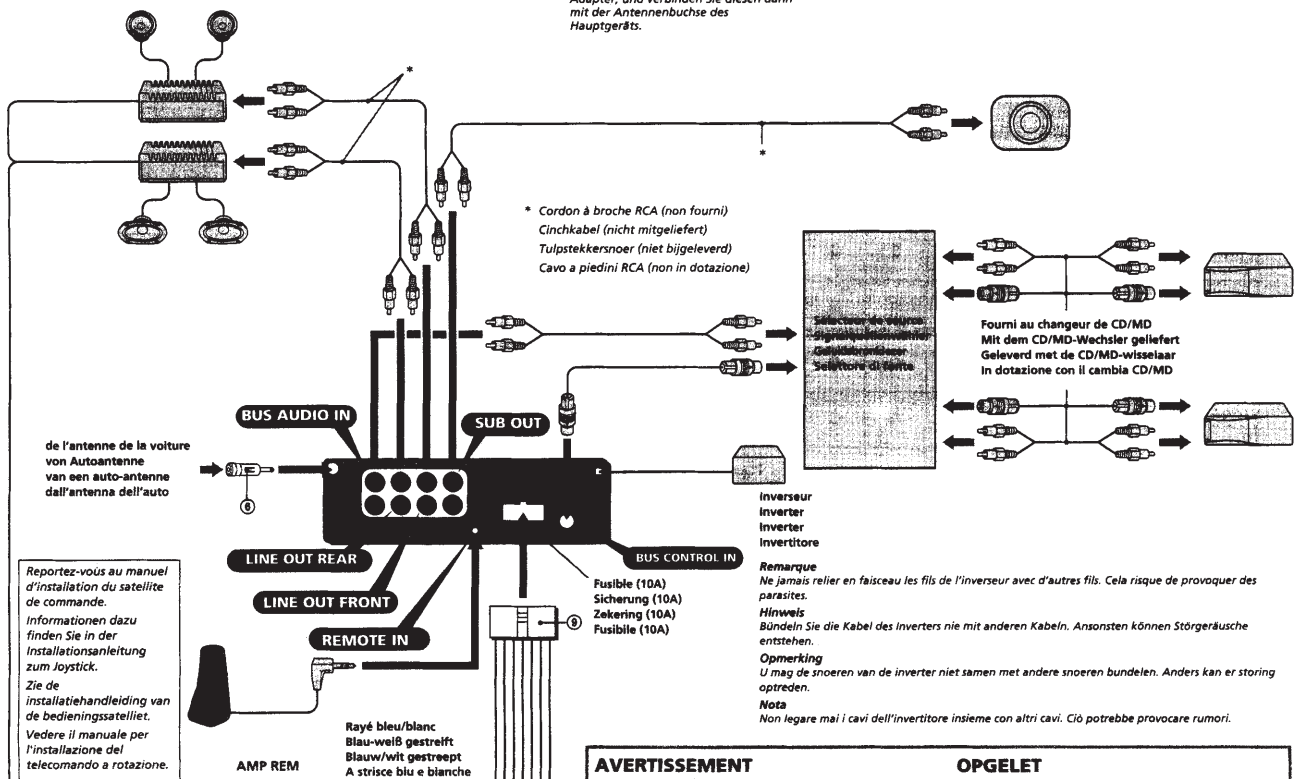
**Exemple de raccordement
Anschlußbeispiel
Voorbeeldaansluitingen
Esempi di collegamento**

* Remarque sur le raccordement de l'antenne
Si votre antenne de voiture est de type ISO (organisation internationale de normalisation), utilisez l'adaptateur fourni pour la raccorder.
Raccordez d'abord l'antenne de voiture à l'adaptateur fourni et, ensuite, à la prise d'antenne de l'appareil principal.

* Hinweis zum Anschließen der Antenne
Wenn Ihre Fahrzeugantenne der ISO-Norm (ISO = International Organization for Standardization - Internationale Normungsgemeinschaft) entspricht, schließen Sie sie mit Hilfe des mitgelieferten Adapters an. Verbinden Sie zuerst die Fahrzeugantenne mit dem mitgelieferten Adapter, und verbinden Sie diesen dann mit der Antennenbuchse des Hauptgeräts.

* Opmerking bij de antenne-aansluiting
Indien uw wagen is uitgerust met een antenne van het type ISO (International Organization for Standardization), moet u die aansluiten met behulp van de meegeleverde adaptor (A). Sluit eerst de auto-antenne aan op de meegeleverde adaptor en vervolgens de antennestekker op het hoofdtoestel.

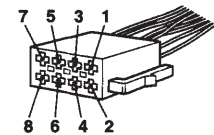
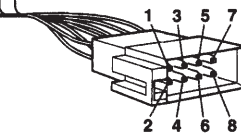
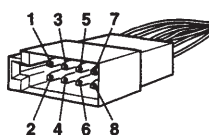
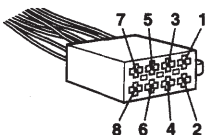
* Nota per il collegamento dell'antenna
Se la vostra antenna della macchina è di tipo ISO (International Organization Standardization), utilizzare l'adattatore (A) in dotazione per collegarla. Collegare prima l'antenna della macchina all'adattatore in dotazione, quindi collegarla alla presa dell'antenna dell'apparecchio principale.



vers le cordon de liaison d'un téléphone de voiture
an Schnittstellenkabel eines Autotelefon
naar het interface-snoer van een autotelefoon
al cavo interfaccia di un telefono per auto

vers un connecteur de haut-parleur
an Lautsprecheranschluss
naar een luidspreker aansluiting
a un connettore del diffusore

vers un connecteur d'alimentation auxiliaire
an Hilfsstromanschluss des Fahrzeugs
een hulpvoedingsaansluiting
a un connettore di alimentazione ausiliare



1	Mauve Violet Pears Viola	haut-parleur, arrière, droit Lautsprecher hinten rechts Luidspreker, achter, rechts Diffusore, posteriore, destro	5	Blanc Weiß Wit Bianco	haut-parleur, avant, gauche Lautsprecher vorne links Luidspreker, voor links Diffusore, anteriore, sinistro
2	-	haut-parleur, arrière, droit Lautsprecher hinten rechts Luidspreker, achter, rechts Diffusore, posteriore, destro	6	-	haut-parleur, avant, gauche Lautsprecher vorne links Luidspreker, voor links Diffusore, anteriore, sinistro
3	Gris Grau Grijs Grigio	haut-parleur, avant, droit Lautsprecher vorne rechts Luidspreker, voor rechts Diffusore, anteriore, destro	7	Vert Grün Groen Verde	haut-parleur, arrière, gauche Lautsprecher hinten links Luidspreker, achter, links Diffusore, posteriore, sinistro
4	-	haut-parleur, avant, droit Lautsprecher vorne rechts Luidspreker, voor rechts Diffusore, anteriore, destro	8	-	haut-parleur, arrière, gauche Lautsprecher hinten links Luidspreker, achter, links Diffusore, posteriore, sinistro

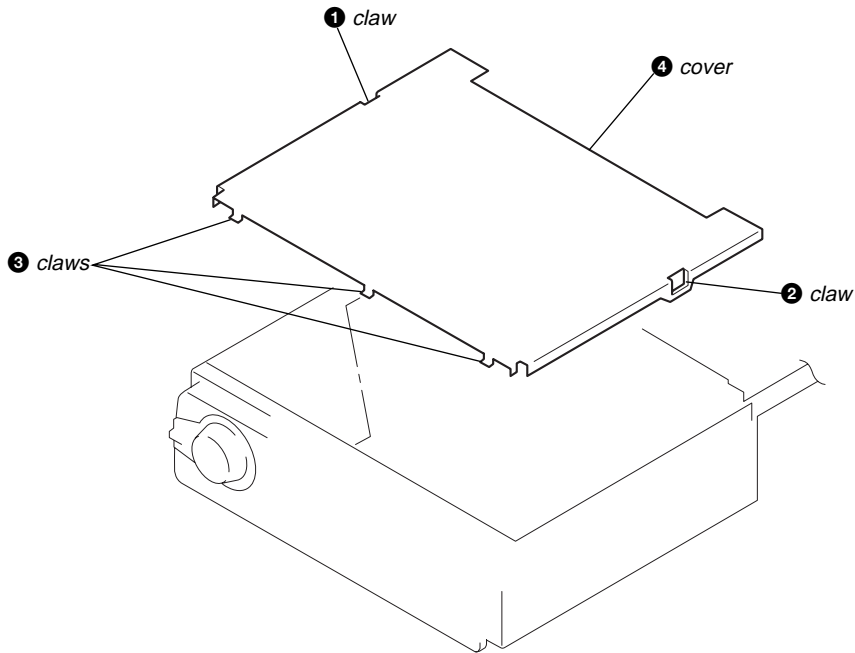
Les positions de polarité négative 2, 4, 6 et 8 sont dotées de cordons rayés.
An den negativ gepolten Positionen (2, 4, 6 und 8) befinden sich gestreifte Adern.
De negatieve posities 2, 4, 6 en 8 hebben gestreepte kabels.
Le posizioni a polarità negativa 2, 4, 6 e 8 hanno cavi rigati.

4	Jaune Gelb Geel Giallo	alimentation continue permanente Stromversorgung continu voeding alimentazione continua	Rouge Rot Roed Rosso	alimentation commutée geschaltete Stromversorgung geschakelde voeding alimentazione a scatto
5	Bleu Blau Blauw Blu	antenne électrique elektronische Antenne automatische antenne comando dell'antenna elettrica	Noir Schwarz Zwart Nero	masse Masse aarding terra
6	Rayé orange/blanc Orange-weiß gestreift Oranje/wit gestreept Arancione/bianco	alimentation de l'éclairage comuté zündungsabhängige Beluchtungsstromversorgung geschakelde verlichting stroomvoorziening alimentazione a illuminazione commutata	Les positions 1, 2 et 3 ne comportent pas de broche. An Position 1, 2 und 3 befinden sich keine Stifte. De posities 1, 2 en 3 hebben geen pins. Le posizioni 1, 2 e 3 non hanno piedini.	

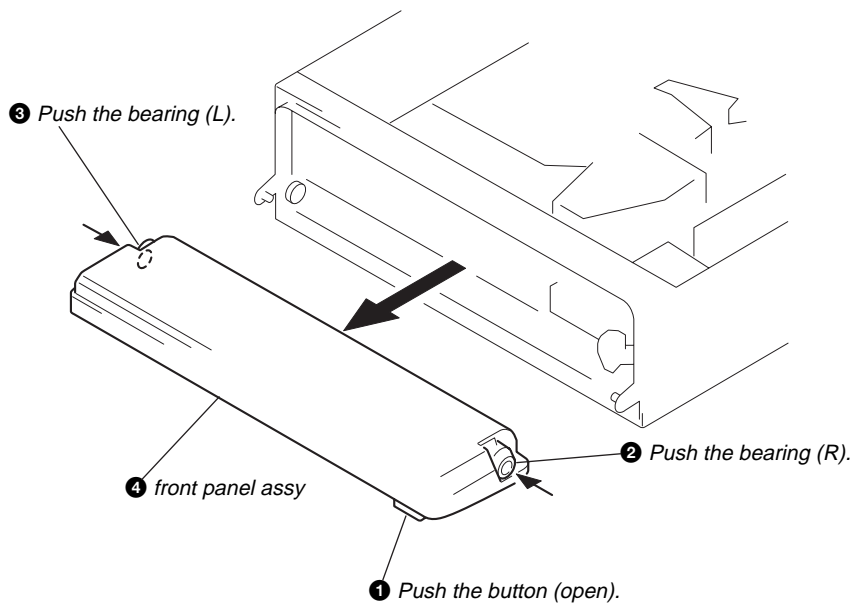
SECTION 2 DISASSEMBLY

Note : Follow the disassembly procedure in the numerical order given.

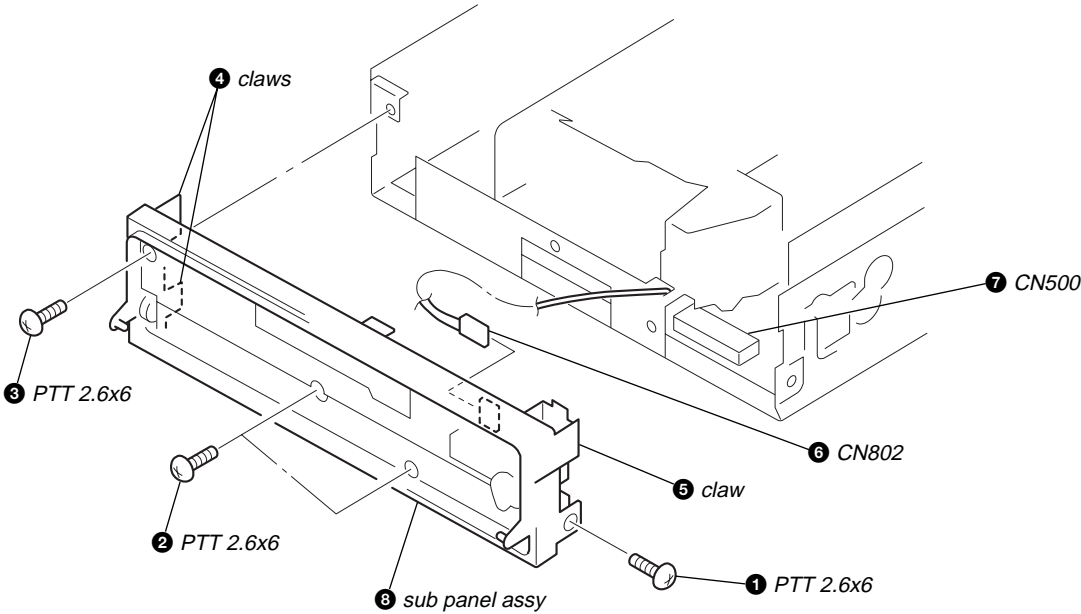
2-1. COVER



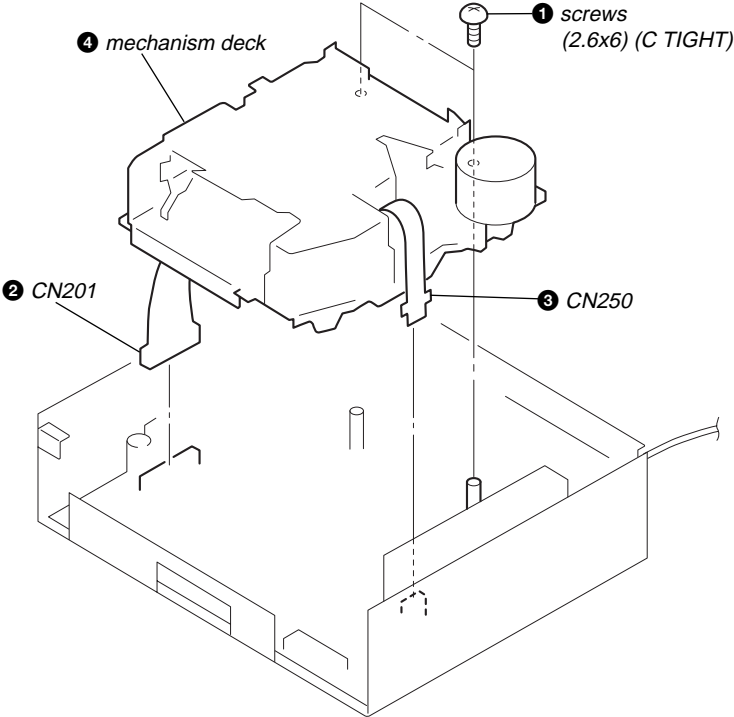
2-2. FRONT PANEL ASSY



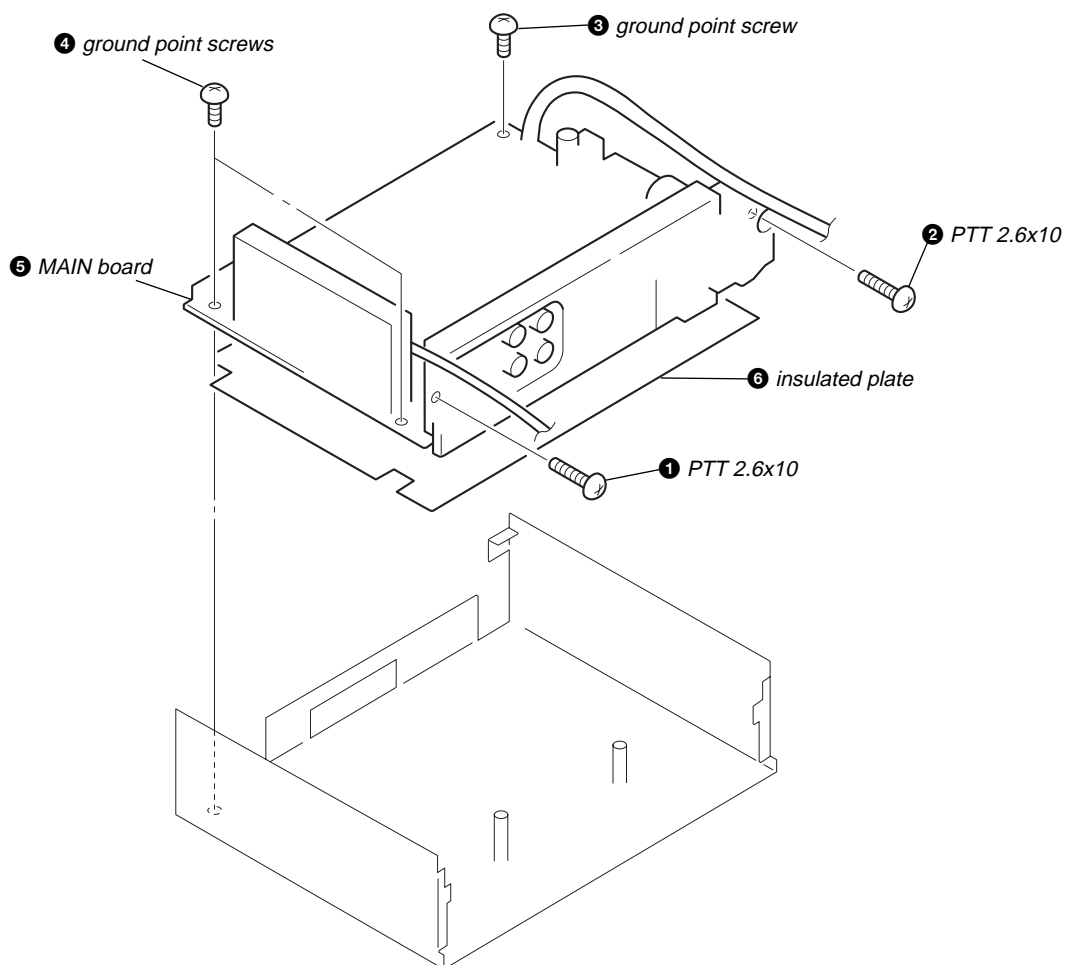
2-3. SUB PANEL ASSY



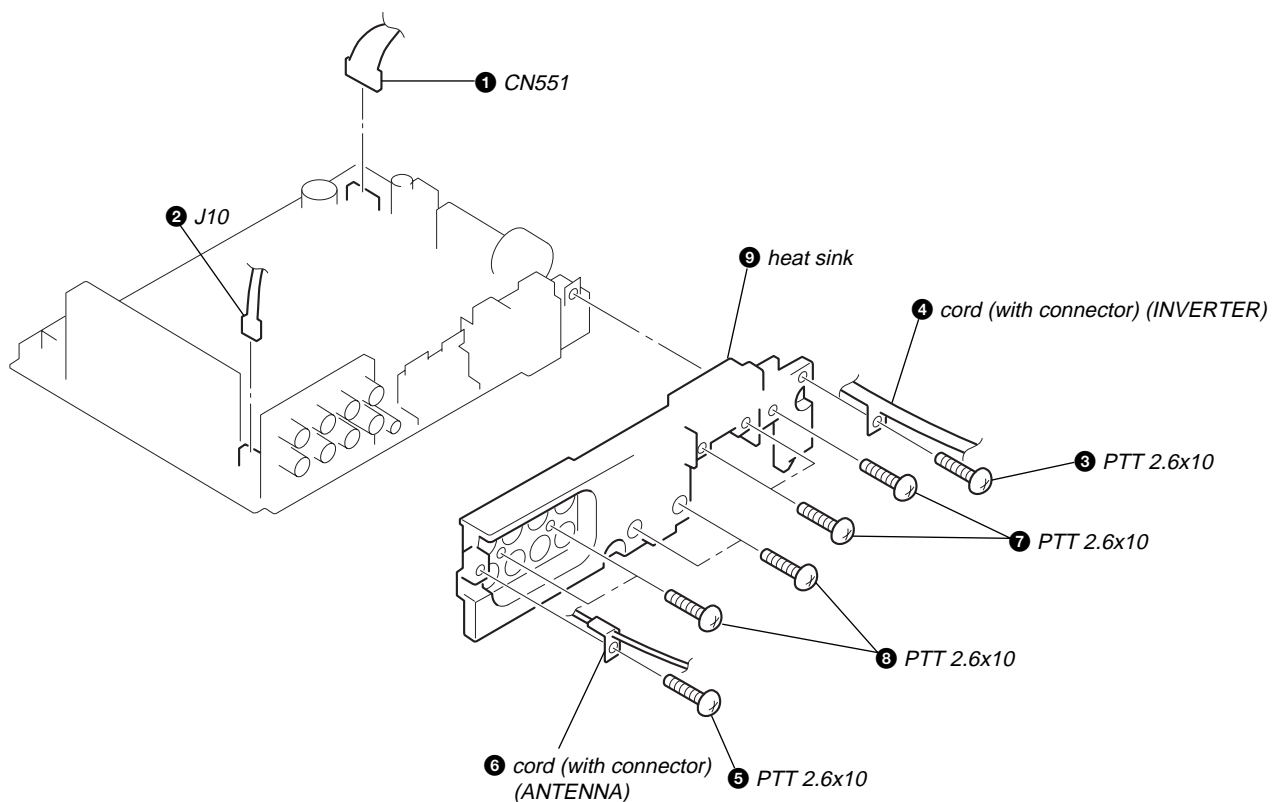
2-4. MECHANISM DECK



2-5. MAIN BOARD



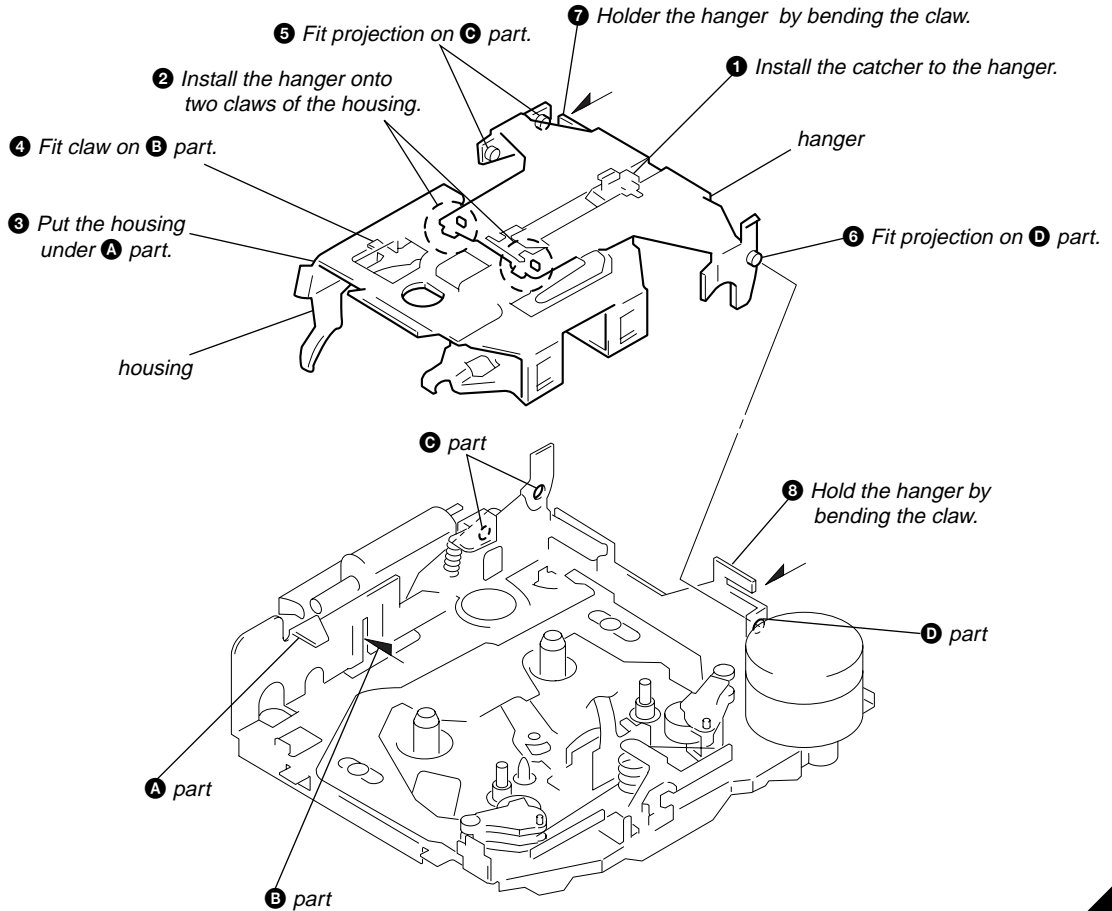
2-6. HEAT SINK



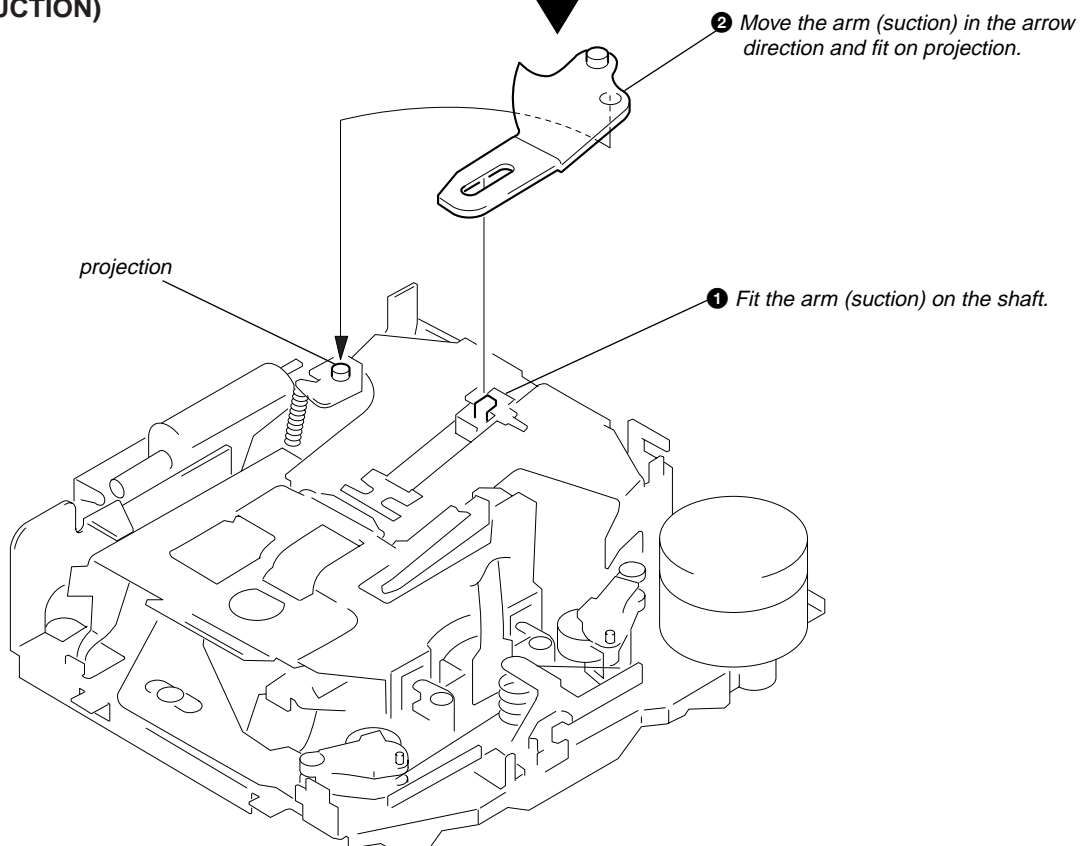
SECTION 3 ASSEMBLY OF MECHANISM DECK

Note : Follow the assembly procedure in the numerical order given.

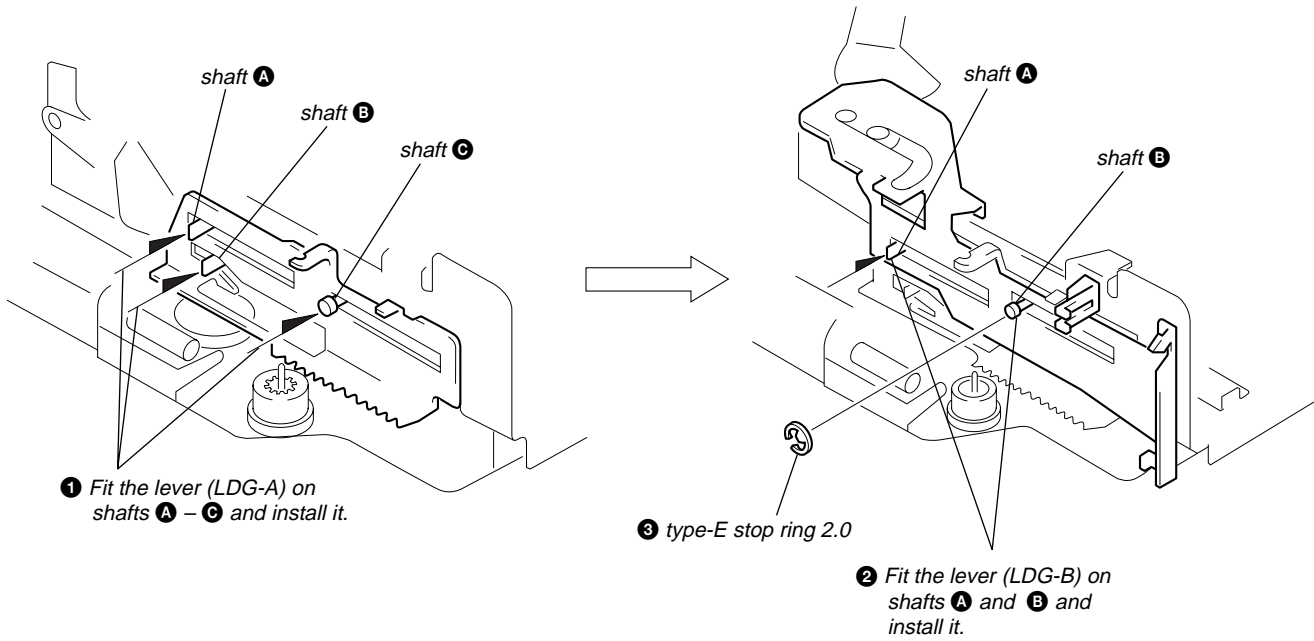
HOUSING



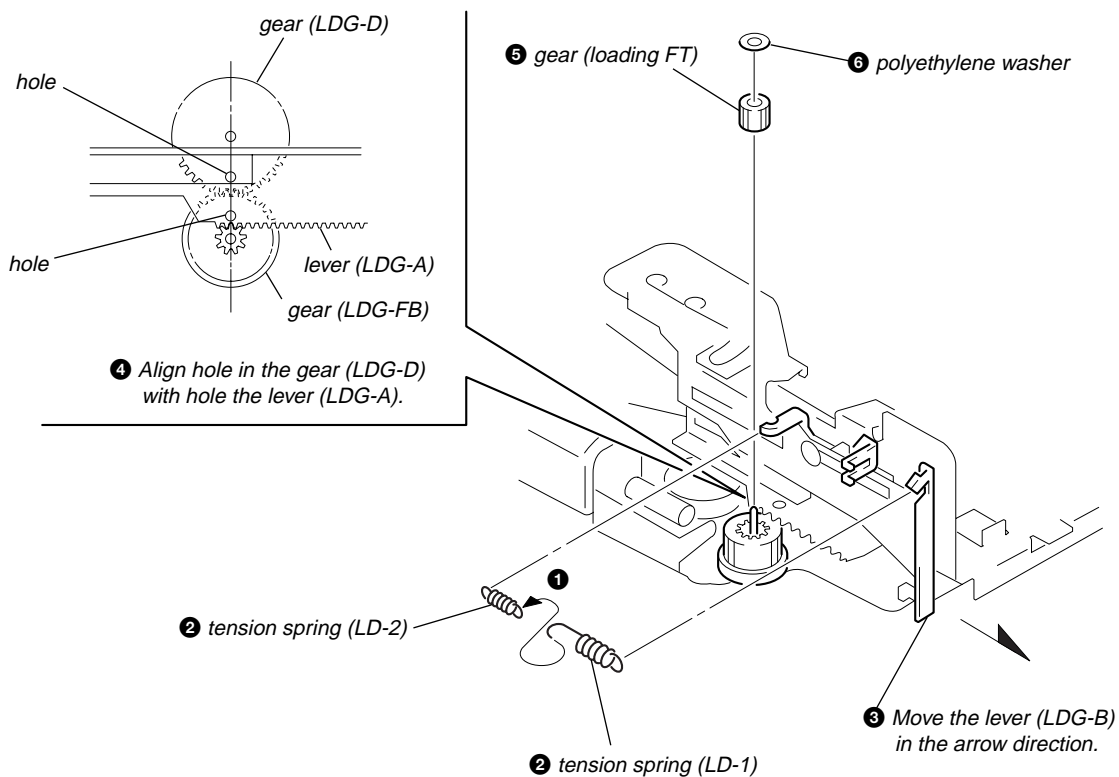
ARM (SUCTION)



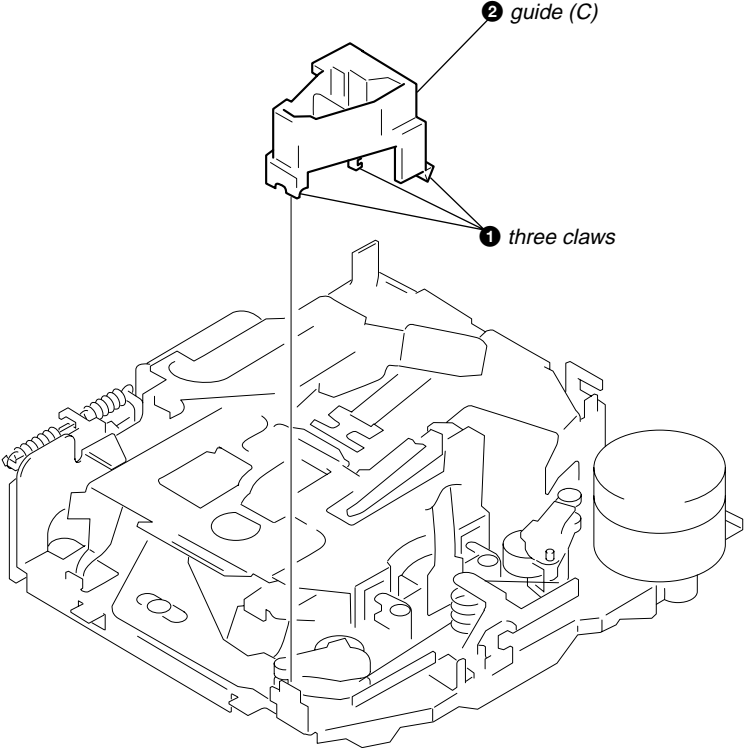
LEVER (LDG-A) / (LDG-B)



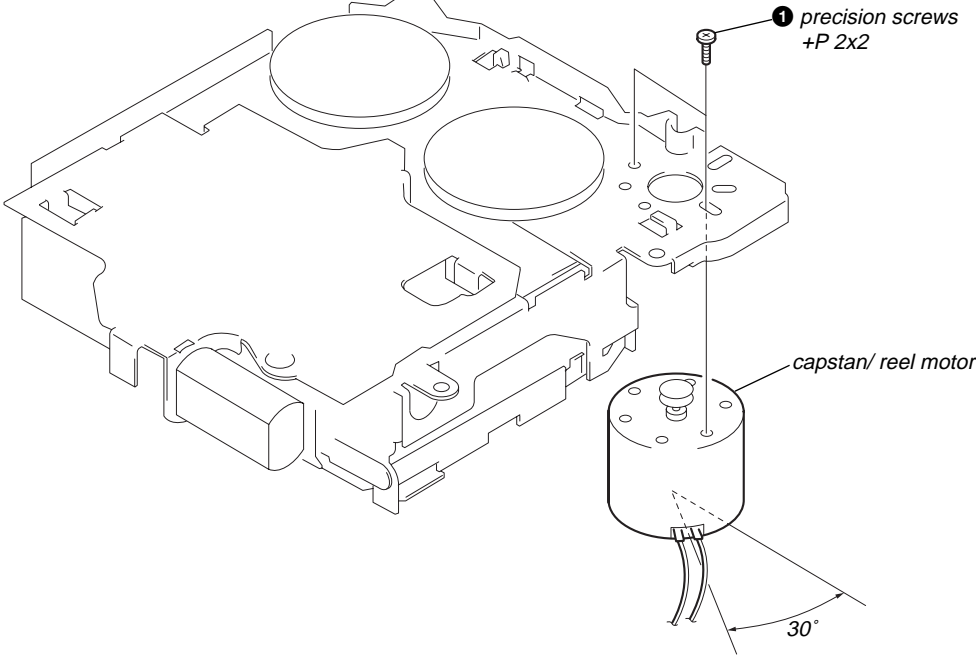
GEAR (LOADING FT)



GUIDE (C)



MOUNTING POSITION OF CAPSTAN/REEL MOTOR (M901)



SECTION 4 MECHANICAL ADJUSTMENTS

PRECAUTION

1. Wipe the following components with an absorbent cotton cloth moistened with alcohol before adjustment :

PB head	Pinch roller
Idler	Rubber belt
Capstan	
2. Demagnetize the PB head using a head demagnetizer.
3. Be careful not to use a magnetized screwdriver.
4. After the adjustment is completed, lock the adjustment parts using screws.
5. Unless otherwise specified, make adjustments at the specified voltage (14.4V).

Torque Measurement

Mode	Torque Meter	Meter Reading
FWD	CQ-102C	35 – 65 g • cm (0.49 – 0.90 oz • inch)
FWD Back Tension		0.5 – 5.0 g • cm (0.01 – 0.07 oz • inch)
REV	CQ-102RC	35 – 65 g • cm (0.49 – 0.90 oz • inch)
REV Back Tension		0.5 – 5.0 g • cm (0.01 – 0.07 oz • inch)
FF, REW	CQ-201B	60 – 200 g • cm (0.83 – 2.78 oz • inch)

Tape Tension Measurement

Mode	Tension Meter	Meter Reading
FWD	CQ-403A	more than 60 g
REV	CQ-403R	(more than 2.12 oz)

SECTION 5 ELECTRICAL ADJUSTMENTS

See the adjustment location from on page 28 for the adjustment.

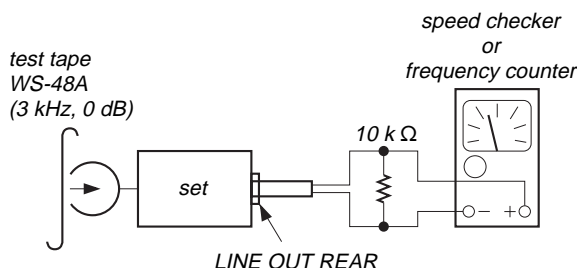
TAPE SECTION

0 dB = 0.775 V

Tape Speed Adjustment

Procedure :

1. Put the set into the FWD PB mode.



Specification : Constant speed

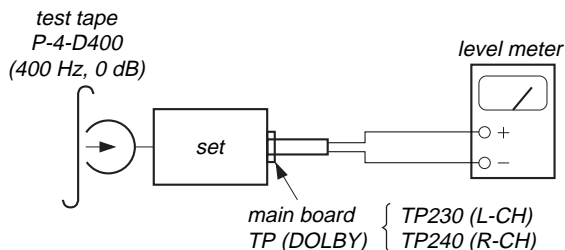
Speed checker	Frequency counter
- 1 to + 2 %	2,970 to 3,060 Hz

Adjustment Location : See page 28.

DOLBY Level Adjustment

Setting :

SHIFT → [3] (PLAY MODE) (twice) button : NR off



Procedure :

1. Put the set into the FWD PB mode.
2. Adjust RV230 (L-CH) and RV240 (R-CH) so that level meter reading is -6 ± 1 dB (0.35 to 0.44 V).

Adjustment Location : See page 28.

TUNER SECTION**0 dB = 1 μ V****Cautions during repair**

When the tuner unit is defective, replace it by a new one because its internal block is difficult to repair.

TEST MODE

This set have the test mode function. In the test mode, FM Auto Scan/Stop Level and AM (MW) Auto Scan/Stop Level adjustments can be performed easier than it in ordinary procedure.

<Set the Test Mode>

1. Set the "OFF" mode.
2. Push the preset [4] button.
3. Push the preset [5] button.
4. Press the preset [1] button for more than two seconds.
5. Then the display indicates all lights, the test mode is set.

<Release the Test Mode>

1. Push the [OFF] button.

Note on Adjustment

The adjustments of tuner section, should be performed according to the following sequence.

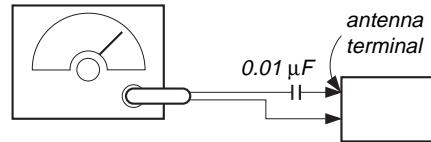
1. FM Auto Scan/Stop Level Adjustment
2. FM Stereo Separation Adjustment (WIDE)
3. FM Stereo Separation Adjustment (NARROW)
4. FM RDS S-Meter Adjustment (XR-C8100R only)
5. AM (MW) Auto Scan/Stop Level Adjustment

FM Auto Scan/Stop Level Adjustment

Setting :

SOURCE button : FM
 FREQUENCY SELECT switch (C8100) : FM 200K

FM RF signal generator



Carrier frequency : 97.9 MHz (C8100)

98.00 MHz (C8100R)

Output level : 22 dB (12.6 μ V)

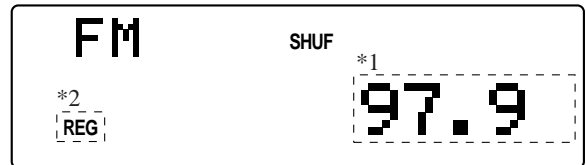
Mode : mono

Modulation : 1 kHz, 22.5 kHz deviation (30%)

Procedure :

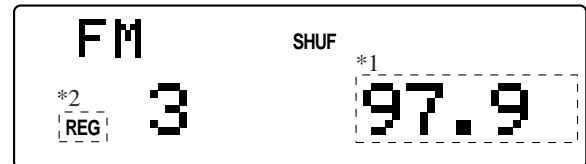
1. Set to the test mode.
2. Push the [SOURCE] button and set to FM.

Display



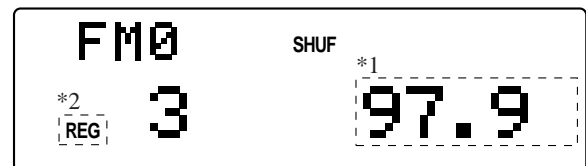
3. Push the preset [3] button.

Display



4. Adjust with the volume RV2 on TUX10 so that the "FM" indication turns to "FM0" indication on the display window. But, in case of already indicated "FM0", turn the RV2 so that put out light "0" indication and adjustment.

Display



*1 : XR-C8100R has the "98.00" displayed.

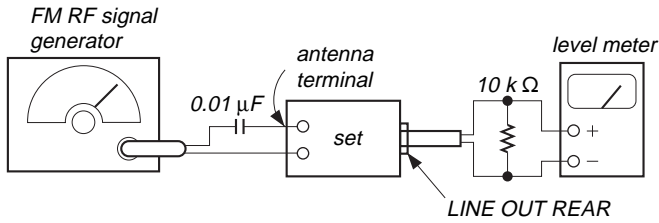
*2 : "REG" is displayed only for XR-C8100R.

Adjustment Location : See page 28.

FM Stereo Separation Adjustment (WIDE)

Setting :

SOURCE button : FM
 FREQUENCY SELECT switch (C8100) : FM 200K



Carrier frequency : 97.9 MHz (C8100)
 : 98.00 MHz (C8100R)
 Output level : 70 dB (3.2 mV)
 Mode : stereo
 Modulation : main : 1 kHz, 33.75 kHz deviation (45%) (C8100)
 : 1 kHz, 20 kHz deviation (26.5%) (C8100R)
 sub : 1 kHz, 33.75 kHz deviation (45%) (C8100)
 : 1 kHz, 20 kHz deviation (26.5%) (C8100R)
 19 kHz pilot : 7.5 kHz deviation (10%)

Procedure :

FM stereo signal generator output channel	Level meter connection	Level meter reading (dB)
L-CH	L-CH	Ⓐ
R-CH	L-CH	Ⓑ Adjust RV3 on TUX10 for minimum reading.
R-CH	R-CH	Ⓒ
L-CH	R-CH	Ⓓ Adjust RV3 on TUX10 for minimum reading.

L-CH stereo separation : Ⓐ – Ⓑ

R-CH stereo separation : Ⓒ – Ⓓ

The separations of both channels should be equal.

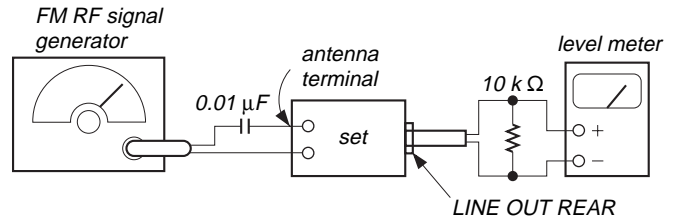
Specification : Separation more than 24 dB

Adjustment Location : See page 28.

FM Stereo Separation Adjustment (NARROW)

Setting :

SOURCE button : FM
 FREQUENCY SELECT switch (C8100) : FM 200K



Carrier frequency : 97.9 MHz (C8100)
 : 98.00 MHz (C8100R)
 Output level : 70 dB (3.2 mV)
 Mode : stereo
 Modulation : main : 1 kHz, 33.75 kHz deviation (45%) (C8100)
 : 1 kHz, 20 kHz deviation (26.5%) (C8100R)
 sub : 1 kHz, 33.75 kHz deviation (45%) (C8100)
 : 1 kHz, 20 kHz deviation (26.5%) (C8100R)
 19 kHz pilot : 7.5 kHz deviation (10%)

Procedure :

1. Push the **SHIFT** button.
2. Push the **4** button three times.
3. Push the **5** button twice and set to NARROW mode.

FM stereo signal generator output channel	Level meter connection	Level meter reading (dB)
L-CH	L-CH	Ⓐ
R-CH	L-CH	Ⓑ Adjust RV4 on TUX10 for minimum reading.
R-CH	R-CH	Ⓒ
L-CH	R-CH	Ⓓ Adjust RV4 on TUX10 for minimum reading.

L-CH stereo separation : Ⓐ – Ⓑ

R-CH stereo separation : Ⓒ – Ⓓ

The separations of both channels should be equal.

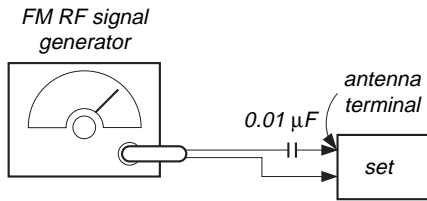
Specification : Separation more than 18 dB

Adjustment Location : See page 28.

FM RDS S-Meter Adjustment (XR-C8100R only)

Setting :

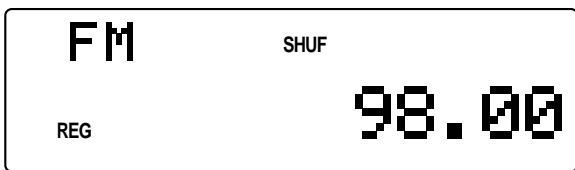
SOURCE button : FM



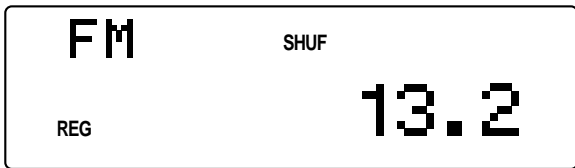
Carrier frequency : 98.00 MHz
 Output level : 35 dB (56.2 μV)
 Mode : mono
 Modulation : no modulation

Procedure :

1. Set to the test mode. (See page 25.)
2. Push the **[SOURCE]** button and set to FM.
 Display



3. Push the preset **[10]** button.
4. Adjust RV10 so that the display indication is "13.2".
 Display



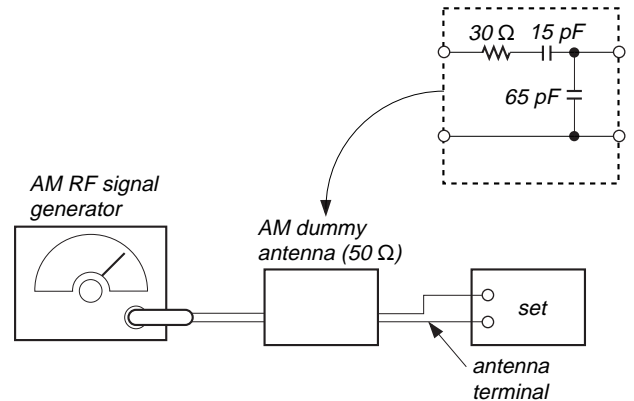
Specification : Display indication : 13.0 to 13.4

Adjustment Location : See page 28.

AM (MW) Auto Scan/Stop Level Adjustment

Setting :

SOURCE → MODE button : AM (C8100)
 MW (C8100R)
 FREQUENCY SELECT switch (C8100) : AM 10K

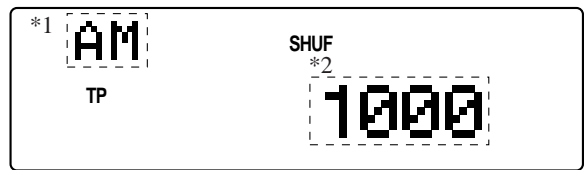


Carrier frequency : 1000 kHz (C8100)
 999 kHz (C8100R)

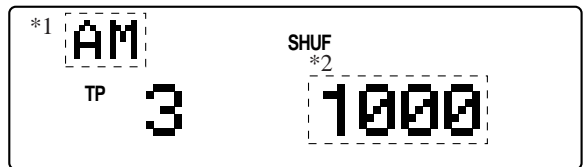
30% amplitude modulation by
 1 kHz signal
 output level : 33 dB (44.7 μV)

Procedure :

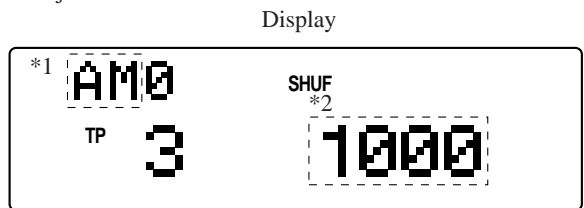
1. Set to the test mode. (See page 25.)
2. Push the **[SOURCE]** button.
3. Push the **[MODE]** button and set to AM (C8100) or MW (C8100R).
 Display



4. Push the preset **[3]** button.
 Display



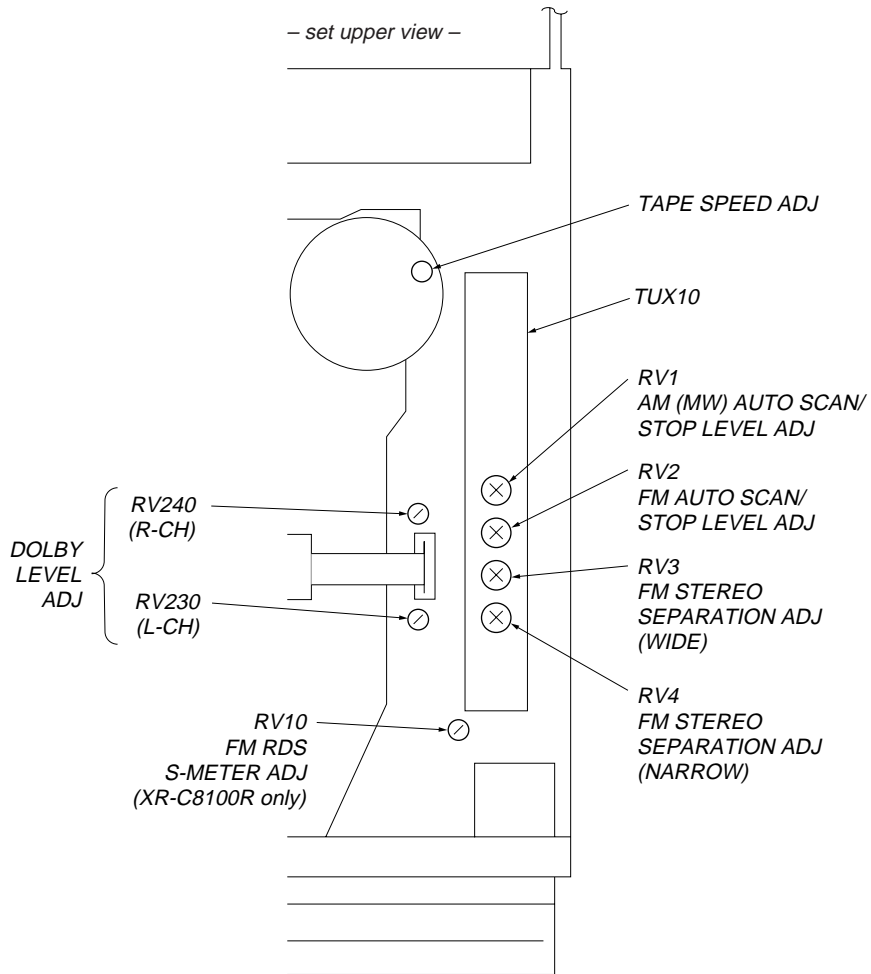
5. Adjust with the volume RV1 on TUX10 so that the "AM" (C8100) or "MW" (C8100R) indication turns to "AM0" (C8100) or "MW" (C8100R) indication on the display window. But, in case of already indicated "AM0" (C8100) or "MW" (C8100R), turn the RV1 so that put out light "0" indication and adjustment.



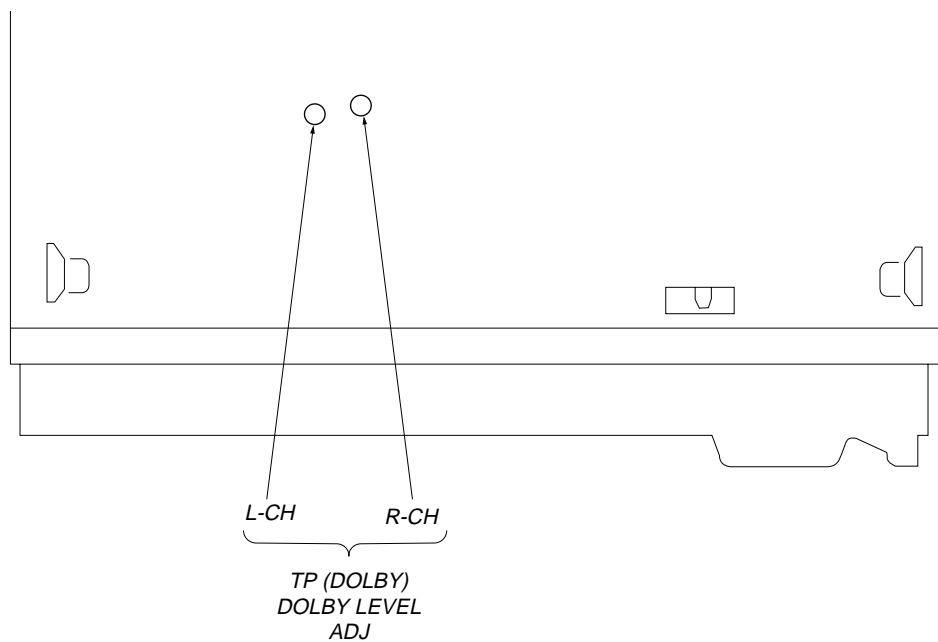
*1 : XR-C8100R has the "MW" displayed.
 *2 : XR-C8100R has the "999" displayed.

Adjustment Location : See page 28.

Adjustment Location : tuner unit (TUX10)

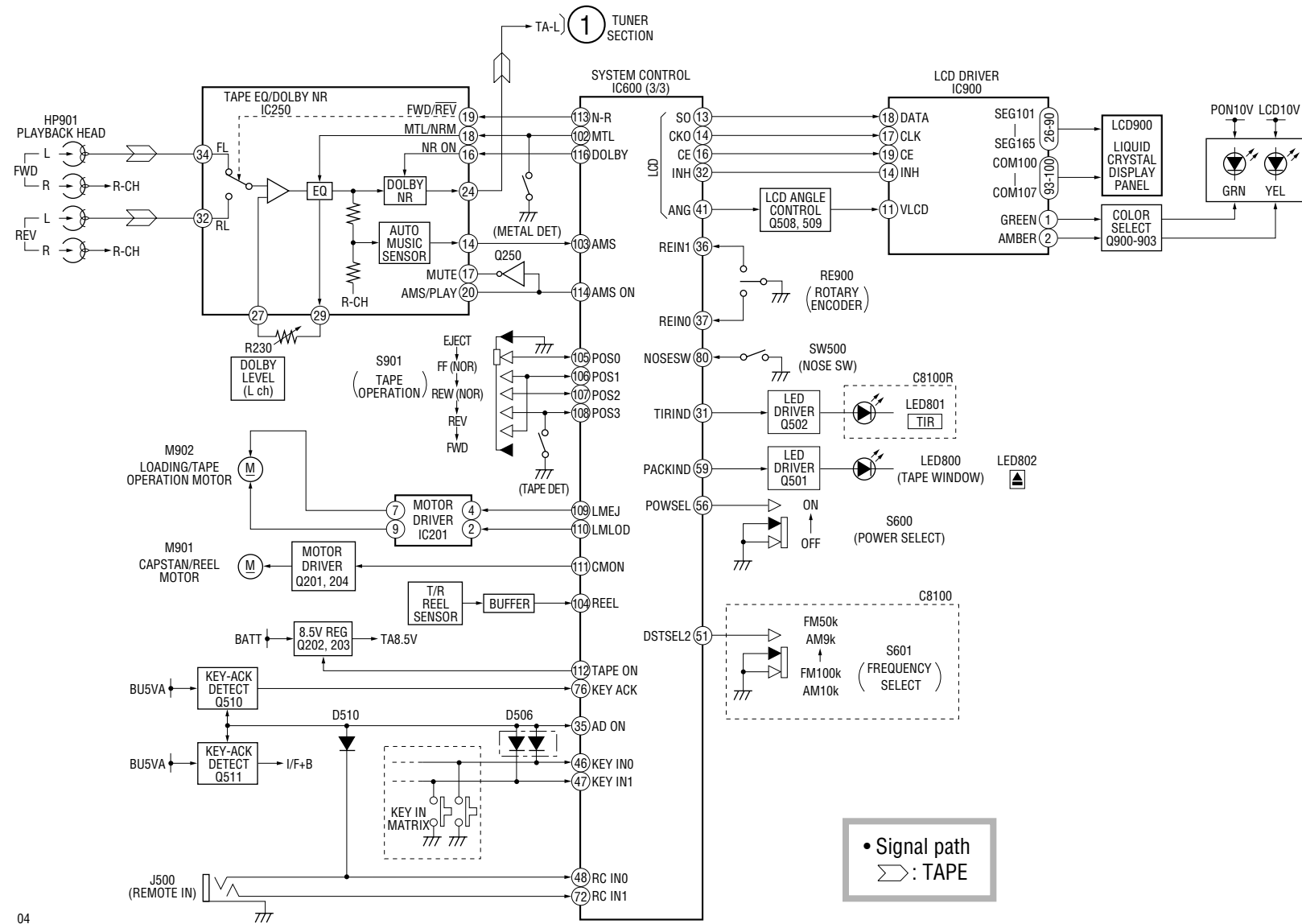


– set lower view –



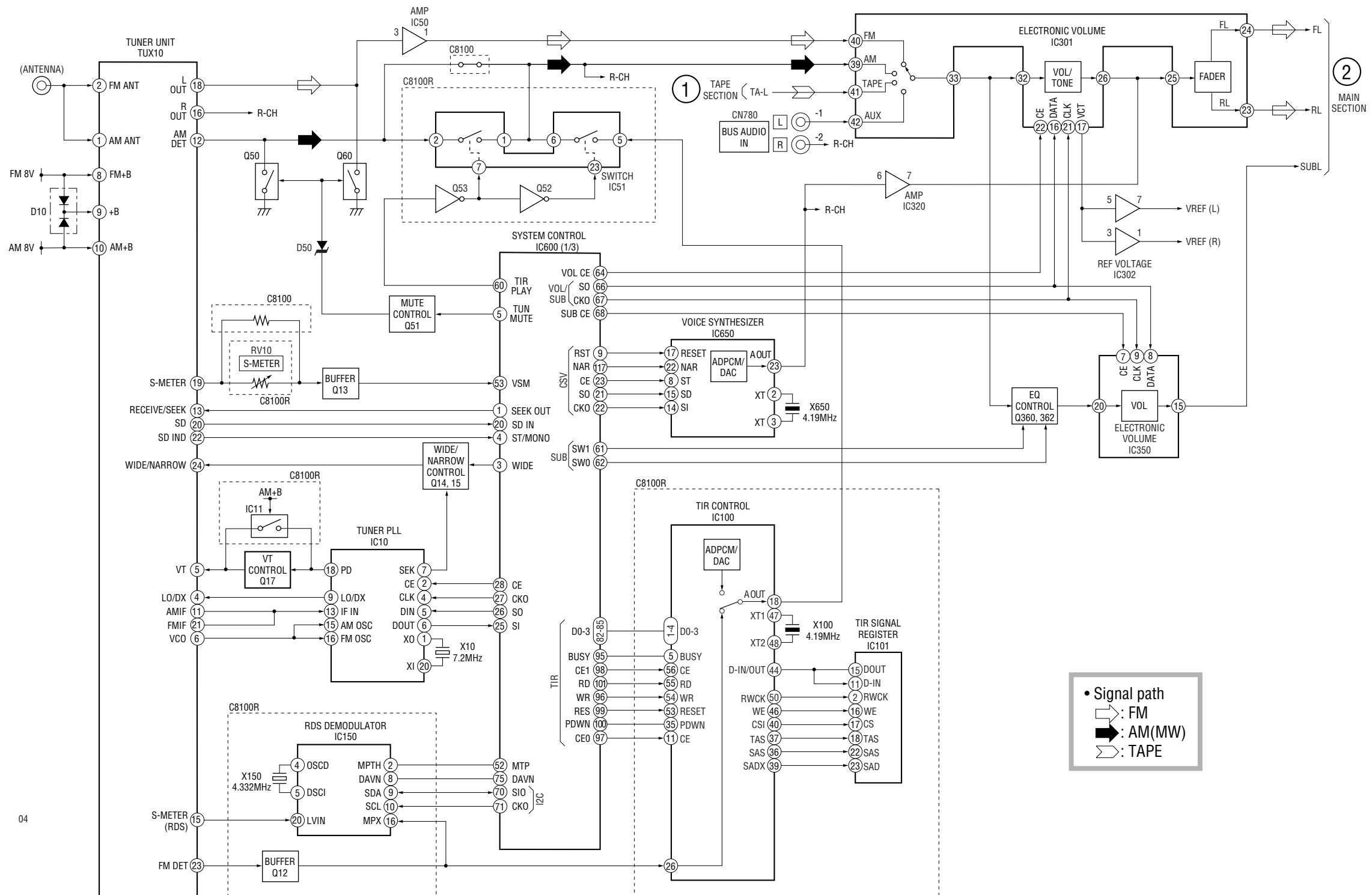
SECTION 6
DIAGRAMS

6-1. BLOCK DIAGRAM — TAPE SECTION —



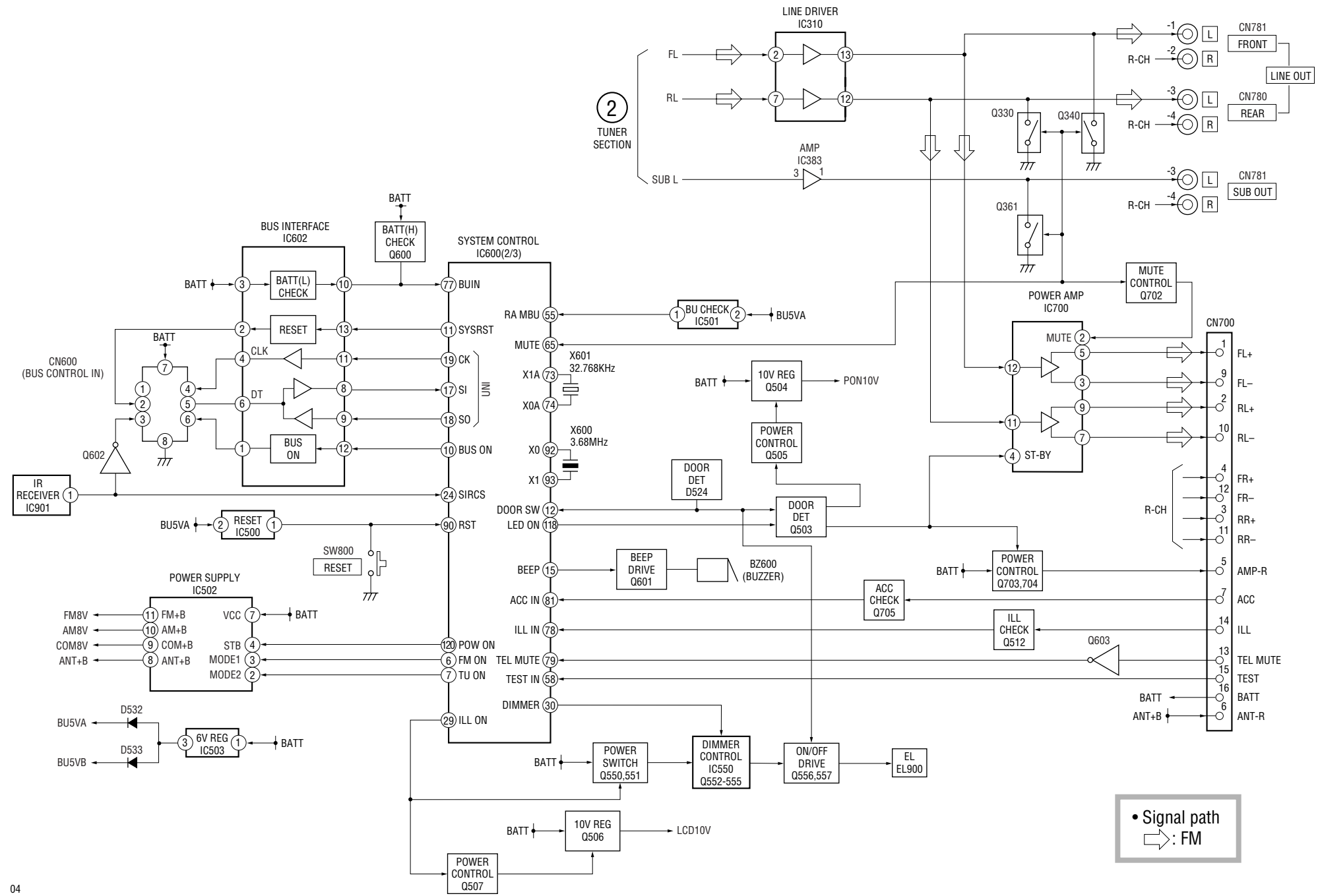
04

6-2. BLOCK DIAGRAM — TUNER SECTION —



04

6-3. BLOCK DIAGRAM — MAIN SECTION —



04

6-8. IC PIN DESCRIPTION

• IC600 MB90574PFV-G-115-BND (SYSTEM CONTROL) (XR-C8100R) MB90574PFV-G-116-BND (SYSTEM CONTROL) (XR-C8100)

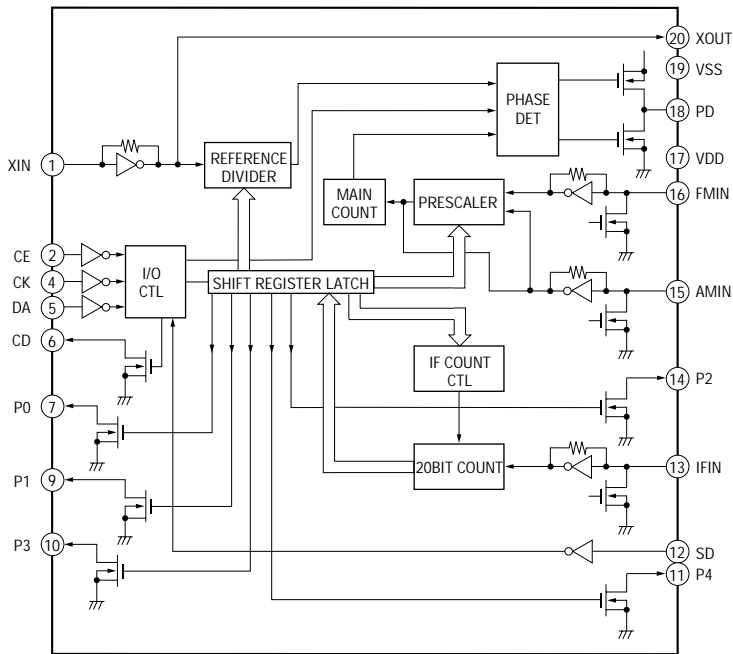
Pin No.	Pin Name	I/O	Pin Description
1	SEKOUT	O	SEEK OUT output
2	AF-SEEK	O	AF SEEK output
3	WIDE	O	WIDE/NARROW select output
4	ST-MONO	I/O	Use a thing both as ST-IND display input and force MONO output.
5	TUNMUTE	O	Tuner mute output
6	FM-ON	O	FM ON output
7	TU-ON	O	Tuner ON output
8	VCC	—	Power supply pin (+5 V)
9	CSV-RST	O	Audio composition IC reset output
10	BUSON	O	Bus ON control output
11	SYSRST	O	System reset output
12	DOORSW	I	Door OPEN/CLOSE detection input
13	LCDSO	O	LCD serial data output
14	LCDCKO	O	LCD serial clock output
15	BEEP	O	BEEP output
16	LCDCE	O	LCD chip enable output
17	UNISI	O	Serial data input
18	UNISO	O	Serial data output
19	UNICKI	I	Serial clock input
20	SD-IN	I	Signal detector input
21	CSV-SO	O	Audio composition serial data output
22	CSV-CKO	O	Audio composition serial clock output
23	CSV-CE	O	Audio composition chip enable output
24	SIRCS	I	Remote commander input
25	PLLSI	I	PLL data input
26	PLLSO	O	PLL data output
27	PLLCKO	O	PLL clock output
28	PLLCE	O	PLL chip enable output
29	ILL-ON	O	Illumination power control output
30	DIMMER	I/O	Dimmer control input/output
31	TIRIND	O	TIR indicator control output (C8100R)
32	LCDINH	O	LCD blank display control output
33	VSS	—	GND
34	C	—	Power stabilization capacitor pin
35	AD-ON	O	Power control output of A/D conversion.
36, 37	RE-IN0, 1	I	Rotary encoder input 0, 1
38	DVCC	—	D/A converter VREF input
39	DVSS	—	GND of D/A converter.
40	EL-ON	O	Not used.
41	LCDANG	O	LCD view angle alignment output
42	AVCC	—	Analog power supply pin (+5 V)
43	AVRH	—	A/D converter VREF+ input
44	AVRL	—	A/D converter VREF- input
45	AVSS	—	Analog GND
46, 47	KEYIN0, 1	I	Key input 0, 1
48	RC-IN0	I	Rotary commander input 0
49	DSTSEL0	I	Destination select input 0 (Fixed at "L" in this set.)
50	DSTSEL1	I	Destination select input 1 (Fixed at "H" in this set.)
51	DSTSEL2	I	Destination select input 2 (Fixed at "L" in this set.) (C8100R) Frequency select input (C8100)

Pin No.	Pin Name	I/O	Pin Description
52	MTP	I	Tuner multi-pass input
53	VSM	I	S-Meter voltage detection input
54	VCC	—	Power supply pin (+5 V)
55	RAMBU	I	RAM reset detection input
56	POWSEL	I	Power select initial setting input
57	EQ-SEL	I	Equalizer connection with/without detection initial input
58	TESTIN	I	Test mode setting detection input
59	PACK-IND	O	Door indicator output
60	TIRPLAY	O	Audio line select control output at TIR playback. (C8100R)
61, 62	SUB-SW1, 0	O	Simple SUB WOOFER control output 1, 0
63	VSS	—	GND
64	VOLCE	O	Electric volume serial chip enable output
65	MUTE	O	System mute control output
66	VOLSO/SUBSO	O	Main/Sub volume serial data output
67	VOLCKO/SUBCKO	O	Main/Sub volume serial clock output
68	SUBCE	O	Sub volume serial chip enable output
69	FLASH-W	I	Flash write in mode detection input
70	I2CSIO	I/O	RDS serial data input/output
71	I2CKO	O	RDS serial clock output
72	RC-IN1	I	Rotary commander input
73	X1A	—	Low speed oscillation input (32.768 kHz)
74	X0A	—	Low speed oscillation input (32.768 kHz)
75	DAVN	I	RDS IC data taking in detection input
76	KEYACK	I	Key input acknowledge
77	BU-IN	I	Back-up power detection input
78	ILLIN	I	Illumination line detection input
79	TELMUTE	I	Telephone mute detection input
80	NOSESW	I	Front panel detachable detection input
81	ACCIN	I	Accessory power detection input
82 – 85	TIR-D0 – D3	I/O	TIR IC command input/output 0 – 3 (C8100R)
86	(VCC)	—	Connect to power supply pin.
87	(VSS)	—	Connect to GND.
88, 89	(VCC)	—	Connect to power supply pin.
90	RST	I	Microcomputer reset input
91	VSS	—	GND
92	X0	—	High speed oscillation input (3.68 MHz)
93	X1	—	High speed oscillation input (3.68 MHz)
94	VCC	—	Power supply pin (+5 V)
95	TIR-BUSY	I	TIR IC BUSY output monitor pin (C8100R)
96	TIR-WR	O	TIR IC data write in pulse output (C8100R)
97, 98	TIR-CE0, 1	O	TIR IC chip enable output (C8100R)
99	TIR-RES	O	TIR IC reset/power down output (C8100R)
100	TIR-PDWN	O	TIR IC power down output (C8100R)
101	TIR-RD	O	TIR IC data read in pulse output (C8100R)
102	MTLIN	I	Auto METAL detection input
103	AMSTIN	I	Tape AMS music detection input
104	REEL	I	Tape reel table rotation detection input
105	POS0	I	Tape position detection input 0
106	POS1	I	Tape position detection input 1
107	POS2	I	Tape position detection input 2
108	POS3	I	Tape position detection input 3
109	LM-EJ	O	Tape loading motor control output (Eject direction)
110	LM-LOD	O	Tape loading motor control output (Loading direction)

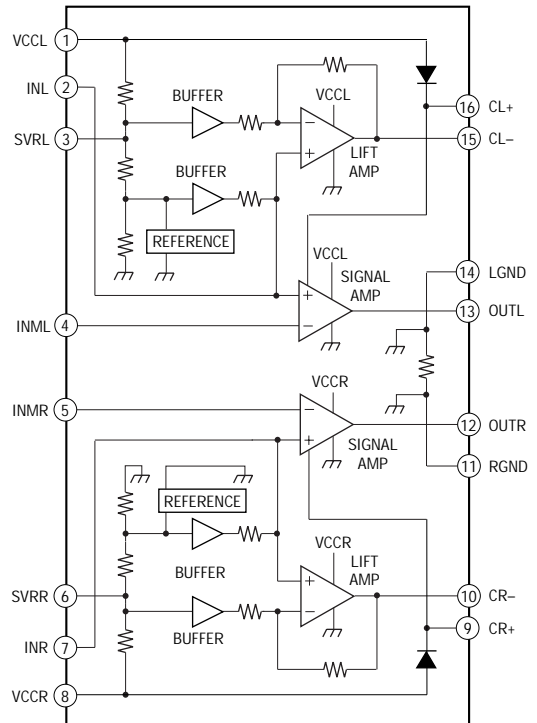
Pin No.	Pin Name	I/O	Pin Description
111	CM-ON	O	Tape capstan motor control output
112	TAPEON	O	Tape power control output
113	N-ROUT	O	Tape forward/reverse detection output
114	AMSON	O	Tape AMS control output
115	DOLBC	O	Tape DOLBY B/C select control output
116	DOLBY	O	Tape DOLBY control output
117	CSV-NAR	I	Space condition indicate signal input for voice synthesizer IC.
118	LEDON	O	Front panel LED control output
119	VSS	—	GND
120	POWON	O	System power control output

• IC Block Diagrams

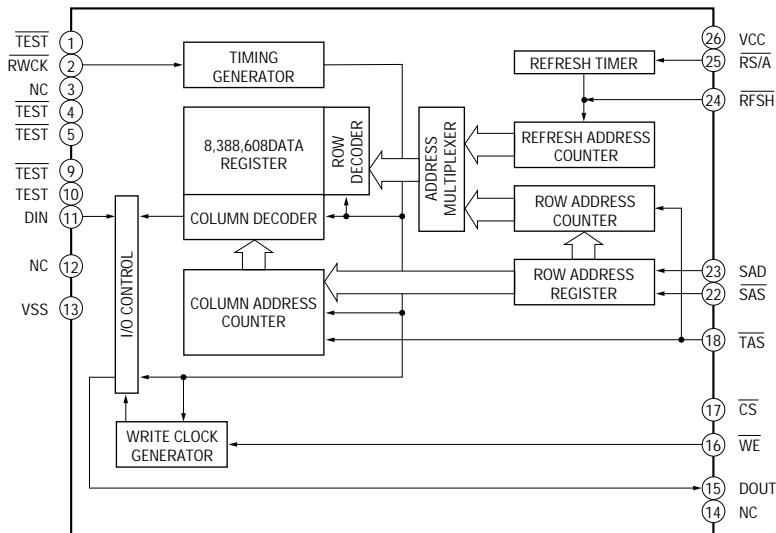
IC10 BU2624FV



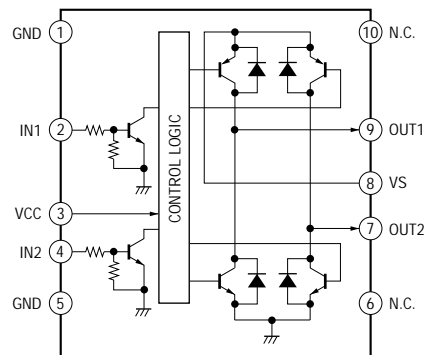
IC310, 410 TDA8574



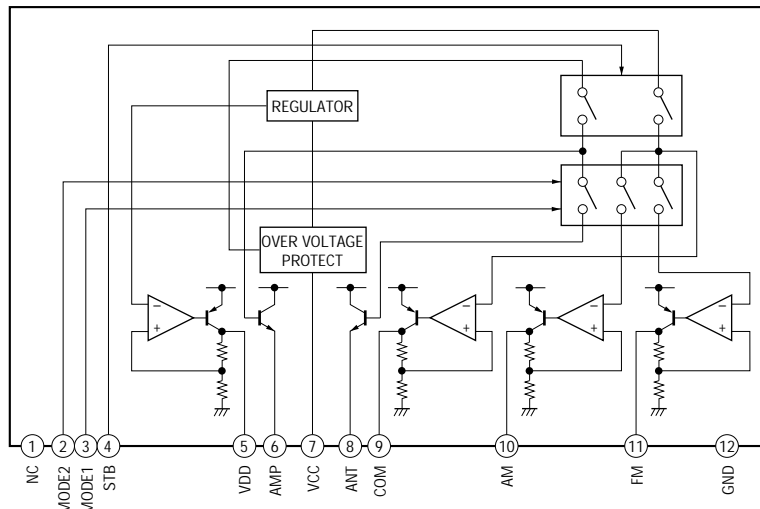
IC101 MSM6684



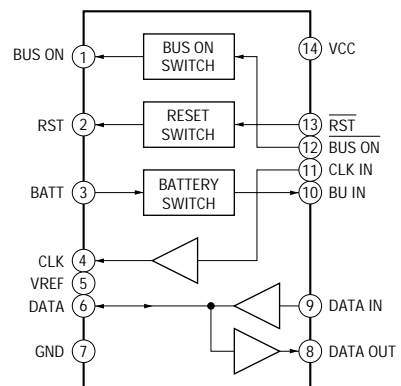
IC201 LB1638M



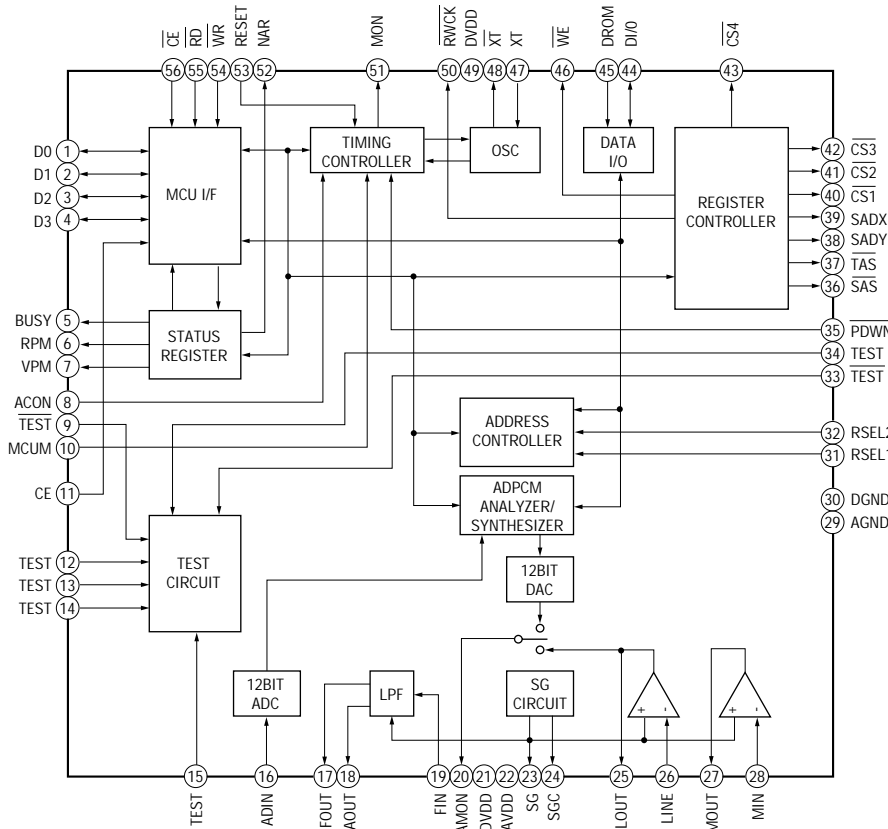
IC500 BA3918-V3



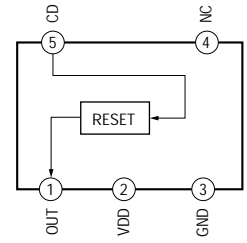
IC602 BA8270F



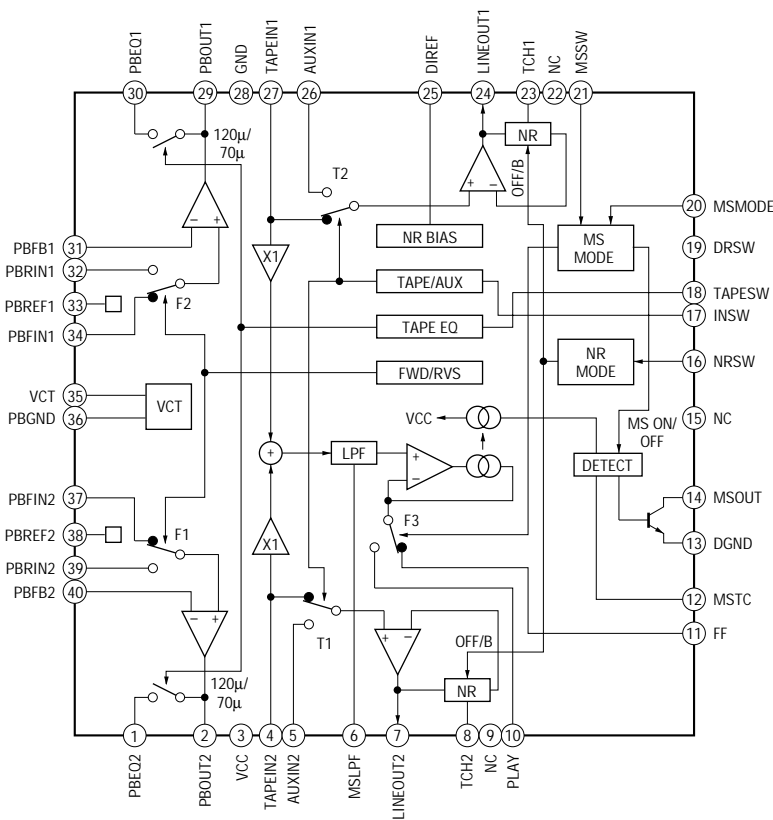
IC100 MSM6688GS



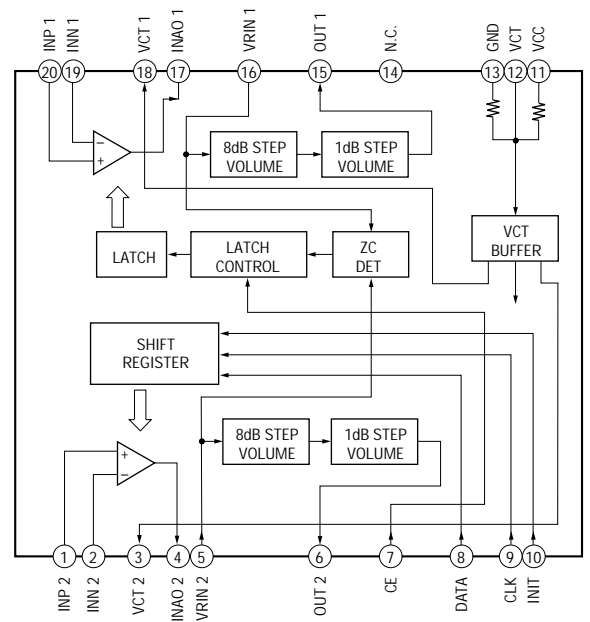
IC501 RN5VD33A-TU



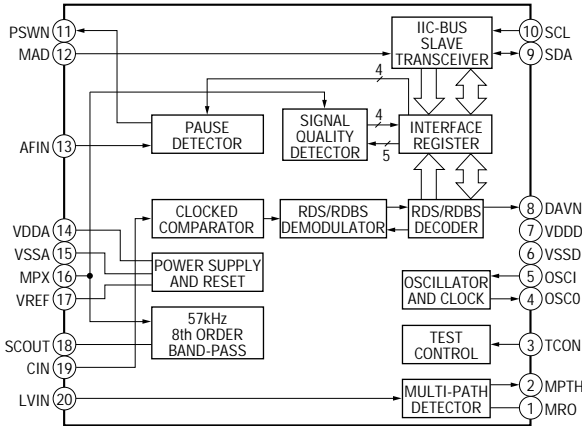
IC250 CXA2510AQ



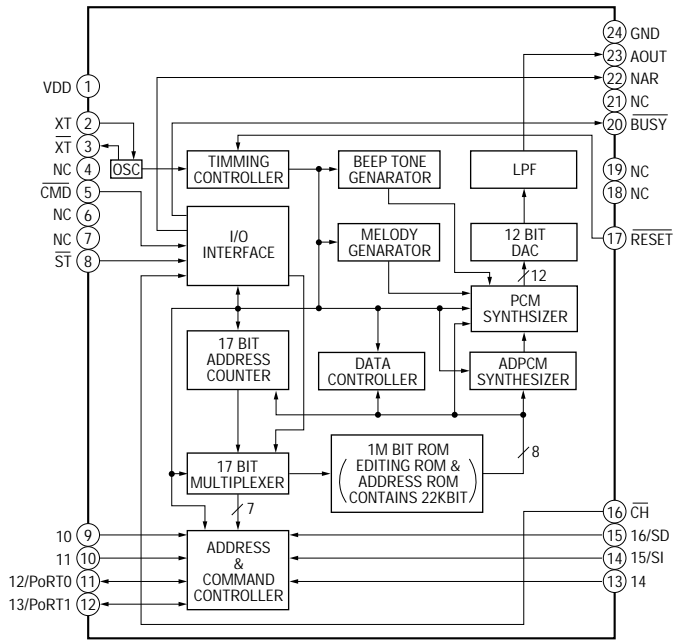
IC350 CXA1846N



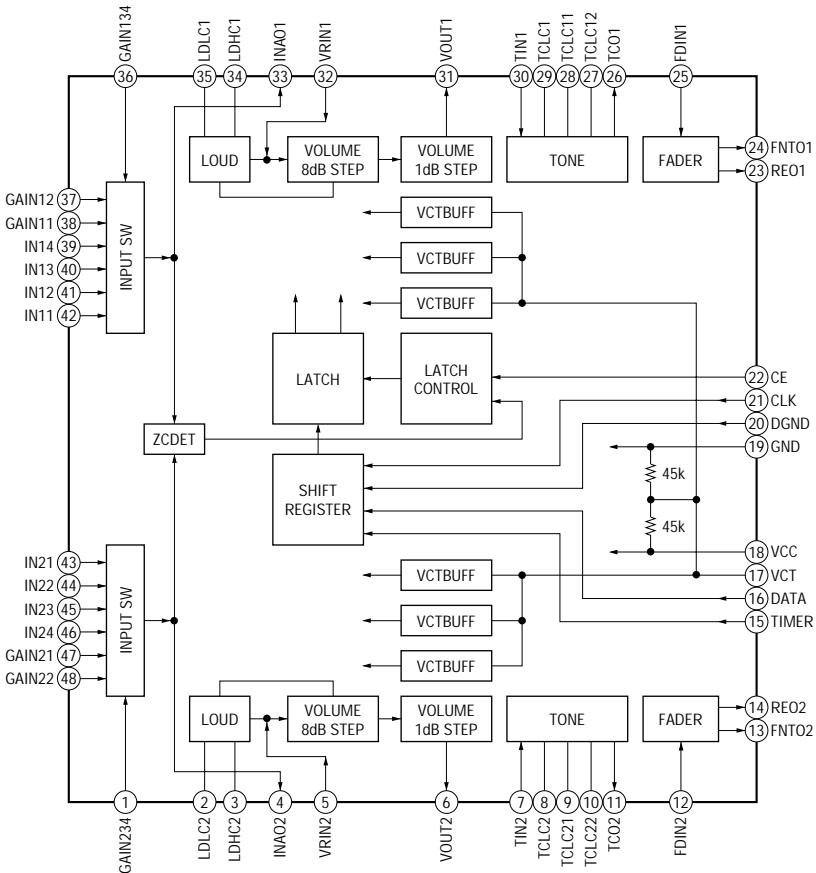
IC150 SAA6588



IC650 MSM6654A-519GS



IC301 CXA1946BQ



SECTION 7 EXPLODED VIEWS

NOTE:

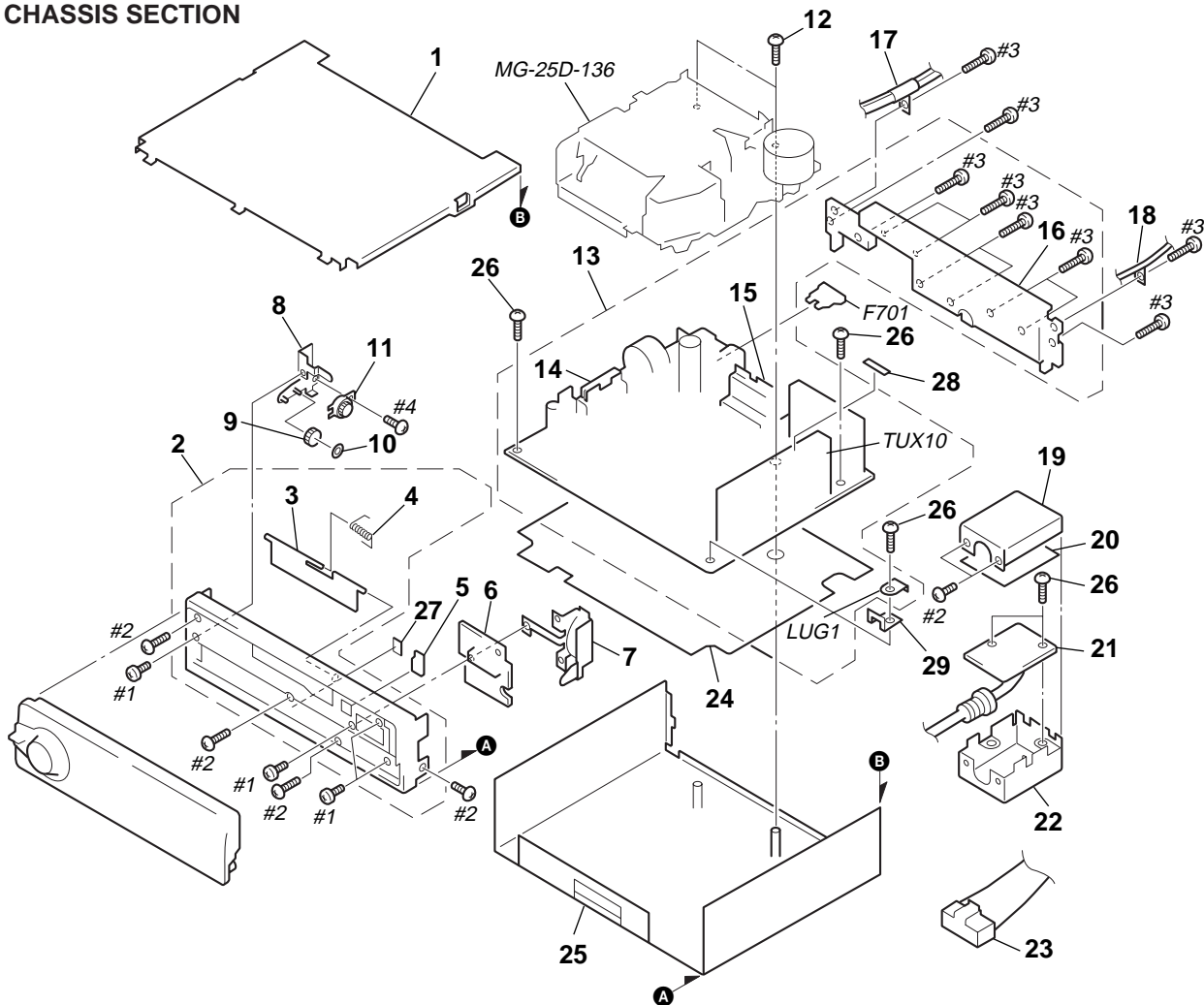
- The mechanical parts with no reference number in the exploded views are not supplied.
- Items marked "*" are not stocked since they are seldom required for routine service. Some delay should be anticipated when ordering these items.
- Abbreviation
G: German model

- -XX and -X mean standardized parts, so they may have some difference from the original one.
- Color Indication of Appearance Parts
Example:

KNOB, BALANCE (WHITE) ... (RED)
 ↑ ↑
 Parts Color Cabinet's Color

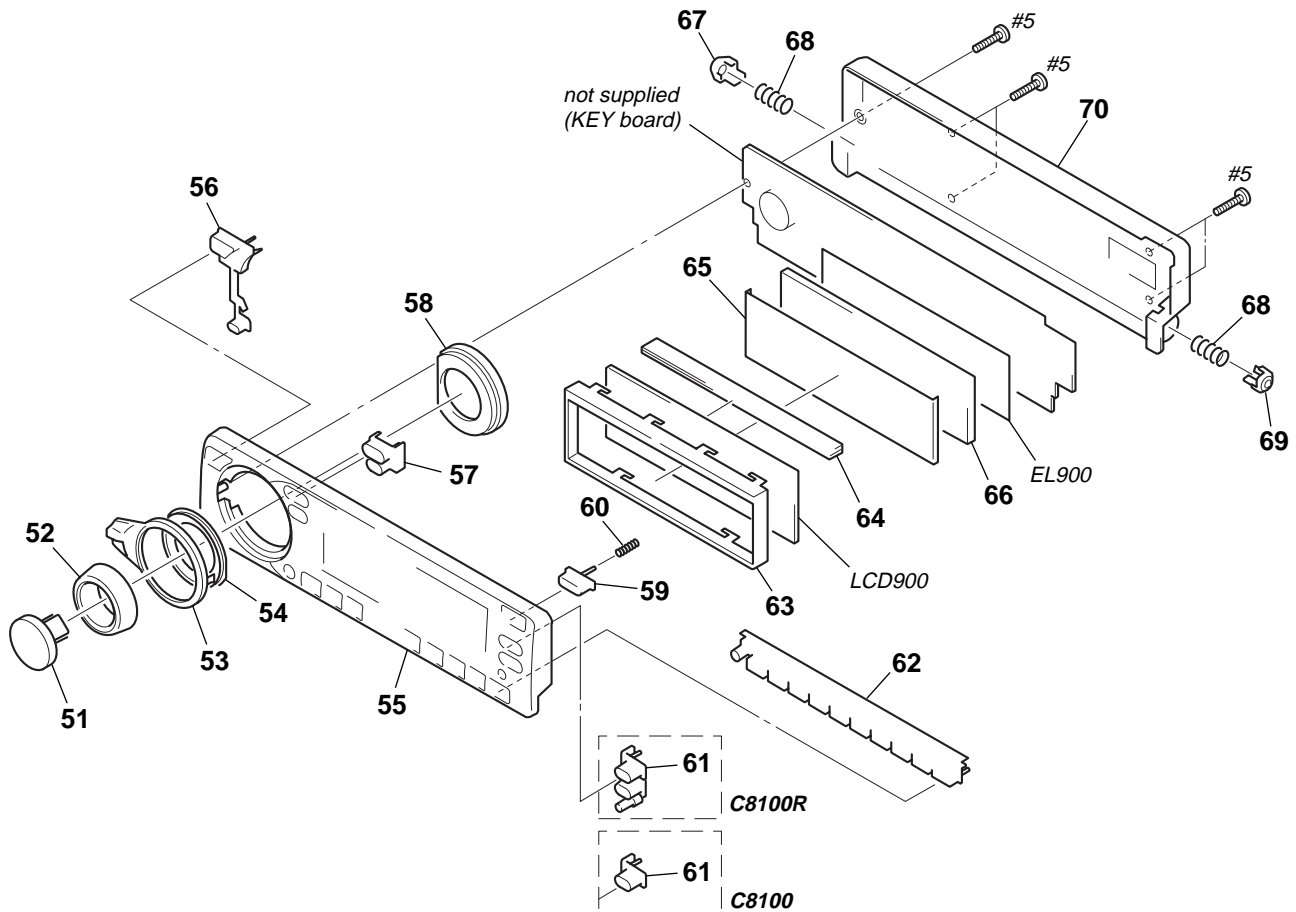
- Accessories and packing materials and hardware (# mark) list are given in the last of this parts list.

7-1. CHASSIS SECTION



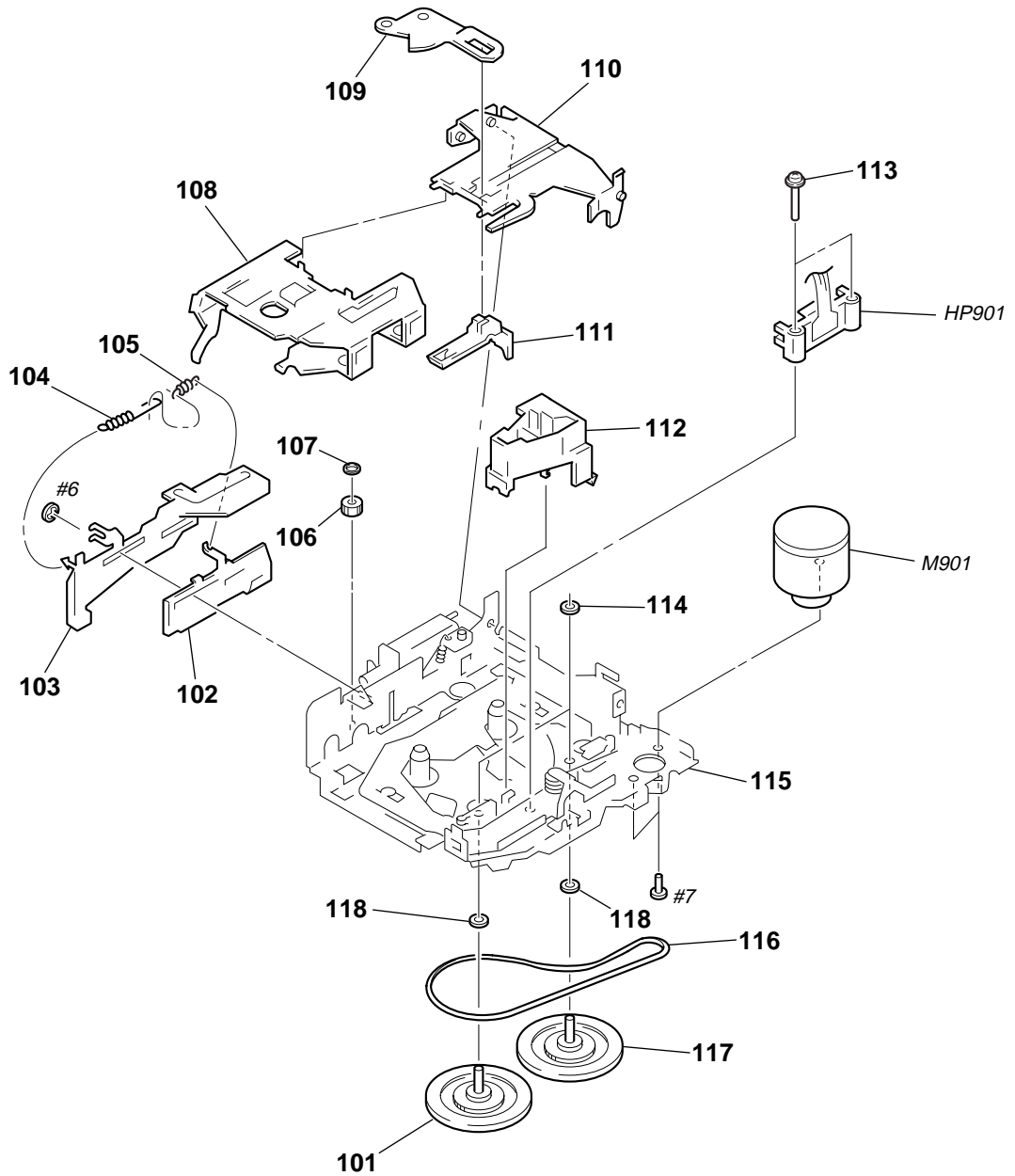
Ref. No.	Part No.	Description	Remark	Ref. No.	Part No.	Description	Remark
* 1	3-022-316-01	COVER		17	1-783-495-11	CORD (WITH CONNECTOR) (INVERTER)	
2	X-3375-092-1	PANEL ASSY, SUB (C8100)		18	1-777-246-11	CORD (WITH CONNECTOR) (ANTENNA)	
2	X-3375-093-1	PANEL ASSY, SUB (C8100R)		19	3-937-282-01	CASE (UPPER)	
3	3-922-165-92	DOOR, CASSETTE		* 20	3-938-138-01	SHEET (E)	
4	3-935-003-01	SPRING (C DOOR), TORSION		* 21	A-3313-646-A	INVERTER BOARD, COMPLETE	
5	3-022-338-01	BUTTON (EJECT)		22	3-937-812-01	CASE (LOWER)	
* 6	1-669-656-11	SUB BOARD		23	1-776-207-71	CORD (WITH CONNECTOR) (POWER) (C8100)	
7	X-3375-068-1	LOCK ASSY		23	1-776-527-71	CORD (WITH CONNECTOR) (ISO) (POWER)	(C8100R)
8	X-3375-066-1	BRACKET (GEAR) ASSY		* 24	3-022-307-01	INSULATED PLATE (C8100R)	
9	3-011-170-01	GEAR (HOLDER)		* 24	3-022-312-01	INSULATED PLATE (C8100)	
10	3-341-752-11	WASHER, POLYETHYLENE		* 25	X-3375-081-1	CHASSIS ASSY	
11	3-953-235-01	DAMPER, OIL		26	3-915-923-01	SCREW, GROUND POINT	
12	3-919-171-01	SCREW (2.6X6) (C TIGHT)		27	3-015-565-31	SPACER (SW)	
* 13	A-3313-644-A	MAIN BOARD, COMPLETE (AEP,UK)		* 28	3-355-209-01	PLATE (B), GROUND	
* 13	A-3313-652-A	MAIN BOARD, COMPLETE (C8100)		* 29	3-023-774-01	PLATE (LOCK), GROUND	
* 13	A-3313-656-A	MAIN BOARD, COMPLETE (G)		F701	1-532-877-11	FUSE (BLADE TYPE) (AUTO FUSE) 10A	
* 14	3-011-078-01	BRACKET (POWER IC)		* LUG1	1-537-738-21	TERMINAL, EARTH	
* 15	3-022-317-01	BRACKET (AMP)		TUX10	A-3282-045-A	TUNER UNIT (TUX-012(E))	
* 16	3-022-306-01	HEAT SINK					

7-2. FRONT PANEL SECTION



Ref. No.	Part No.	Description	Remark	Ref. No.	Part No.	Description	Remark
51	3-022-329-01	BUTTON (SOURCE)		62	3-022-332-01	BUTTON (10 KEY)	
52	3-022-322-01	KNOB		* 63	3-022-327-01	PLATE (LCD), GROUND	
53	3-022-323-01	LEVER (SHUTTLE)		64	1-694-414-11	CONDUCTOR BOARD, CONNECTION	
54	3-022-324-01	PLATE (SHUTTLE), LIGHT GUIDE		* 65	3-022-328-01	ILLUMINATOR (LCD)	
55	X-3375-681-1	PANEL SUB ASSY, FRONT (C8100)		* 66	3-022-326-01	PLATE (LCD), LIGHT GUIDE	
55	X-3375-682-1	PANEL SUB ASSY, FRONT (C8100R)		67	3-010-999-01	BEARING (L)	
56	3-022-330-01	BUTTON (MODE)		68	3-010-998-01	SPRING (BEARING)	
57	3-022-331-01	BUTTON (SOUND)		69	3-011-000-01	BEARING (R)	
58	3-022-325-01	PLATE (RING), LIGHT GUIDE		70	3-022-319-01	PANEL, FRONT BACK	
59	3-022-333-01	BUTTON (OPEN)		EL900	1-517-766-11	LIGHT, ELECTRO LUMINESCENT	
60	3-932-225-01	SPRING (OPEN)		LCD900	1-803-107-11	DISPLAY PANEL, LIQUID CRYSTAL	
61	3-022-308-01	BUTTON (PTY) (C8100R)					
61	3-022-334-01	BUTTON (LIST) (C8100)					

**7-3. MECHANISM DECK SECTION
(MG-25D-136)**



<u>Ref. No.</u>	<u>Part No.</u>	<u>Description</u>	<u>Remark</u>	<u>Ref. No.</u>	<u>Part No.</u>	<u>Description</u>	<u>Remark</u>
101	A-3291-667-A	CLUTCH (FR) ASSY		111	3-933-346-01	CATCHER	
102	3-019-130-01	LEVER (LDG-A)		112	3-933-344-01	GUIDE (C)	
103	3-020-522-03	LEVER (LDG-B)		113	3-014-798-01	SCREW (HEAD), SPECIAL	
104	3-020-539-01	SPRING (LD-1), TENSION		114	3-364-151-01	WASHER	
105	3-020-540-01	SPRING (LD-2), TENSION		115	X-3375-625-1	CHASSIS (SV) ASSY (D)	
106	3-020-542-01	GEAR (LOADING FT)		116	3-017-302-01	BELT (25)	
107	3-341-753-11	WASHER, POLYETHYLENE		117	3-936-853-01	FLYWHEEL (F)	
108	3-020-533-01	HOUSING		118	3-701-437-21	WASHER	
109	3-020-532-01	ARM (SUCTION)		HP901	1-500-157-21	HEAD, MAGNETIC (PLAYBACK)	
110	3-020-534-01	HANGER		M901	A-3291-665-A	MOTOR ASSY, MAIN (CAPSTAN/REEL)	

INVERTER

KEY

**SECTION 8
ELECTRICAL PARTS LIST**

NOTE:

- Due to standardization, replacements in the parts list may be different from the parts specified in the diagrams or the components used on the set.
- -XX and -X mean standardized parts, so they may have some difference from the original one.
- RESISTORS
All resistors are in ohms.
METAL: Metal-film resistor.
METAL OXIDE: Metal oxide-film resistor.
F: nonflammable

- Items marked "*" are not stocked since they are seldom required for routine service. Some delay should be anticipated when ordering these items.
- SEMICONDUCTORS
In each case, μ : μ , for example:
uA.. : μ A.. uPA.. : μ PA..
uPB.. : μ PB.. uPC.. : μ PC.. uPD.. : μ PD..
- CAPACITORS
uF: μ F
- COILS
uH: μ H

When indicating parts by reference number, please include the board.

- Abbreviation
G: German model

Ref. No.	Part No.	Description	Remark
*	A-3313-646-A	INVERTER BOARD, COMPLETE *****	
		< CAPACITOR >	
C551	1-126-157-11	ELECT 10uF 20% 16V	
C552	1-164-004-11	CERAMIC CHIP 0.1uF 10% 25V	
C553	1-126-923-11	ELECT 220uF 20% 10V	
C554	1-164-232-11	CERAMIC CHIP 0.01uF 50V	
C555	1-124-257-00	ELECT 2.2uF 20% 50V	
C556	1-164-004-11	CERAMIC CHIP 0.1uF 10% 25V	
		< CONNECTOR >	
* CN550	1-564-507-11	PLUG, CONNECTOR 4P	
CN551	1-564-505-11	PLUG, CONNECTOR 2P	
		< DIODE >	
D550	8-719-422-49	DIODE MA8056-L	
D551	8-719-422-80	DIODE MA8075-H-TX	
D552	8-719-404-49	DIODE MA111	
D553	8-719-033-43	DIODE RB751H	
D554	8-719-422-49	DIODE MA8056-L	
		< IC >	
IC550	8-759-495-75	IC NJM317F	
		< TRANSISTOR >	
Q552	8-729-421-22	TRANSISTOR UN2211	
Q553	8-729-026-68	TRANSISTOR 2SD2525(TP)	
Q554	8-729-421-22	TRANSISTOR UN2211	
Q555	8-729-903-46	TRANSISTOR 2SB1132-P	
Q556	8-729-016-11	TRANSISTOR 2SD1507M	
Q557	8-729-021-94	FET 2SK1657-T1B	
		< RESISTOR >	
R552	1-216-198-00	RES,CHIP 1K 5% 1/8W	
R553	1-216-198-00	RES,CHIP 1K 5% 1/8W	
R555	1-216-158-00	RES,CHIP 22 5% 1/8W	
R556	1-216-158-00	RES,CHIP 22 5% 1/8W	
R557	1-216-001-00	METAL CHIP 10 5% 1/10W	
R558	1-216-097-00	RES,CHIP 100K 5% 1/10W	
R559	1-216-057-00	METAL CHIP 2.2K 5% 1/10W	
R560	1-216-063-00	RES,CHIP 3.9K 5% 1/10W	
R561	1-216-031-00	METAL CHIP 180 5% 1/10W	
R562	1-216-097-00	RES,CHIP 100K 5% 1/10W	

Ref. No.	Part No.	Description	Remark
R563	1-216-097-00	RES,CHIP 100K 5% 1/10W	
		< TRANSFORMER >	
T550	1-431-831-11	TRANSFORMER, OSCILLATION (EL) *****	
		KEY BOARD *****	
	1-694-414-11	CONDUCTOR BOARD, CONNECTION	
* 3-022-326-01		PLATE (LCD), LIGHT GUIDE	
* 3-022-327-01		PLATE (LCD), GROUND	
* 3-022-328-01		ILLUMINATOR (LCD)	
		< CAPACITOR >	
C900	1-164-004-11	CERAMIC CHIP 0.1uF 10% 25V	
C901	1-164-004-11	CERAMIC CHIP 0.1uF 10% 25V	
C902	1-164-232-11	CERAMIC CHIP 0.01uF 50V	
		< CONNECTOR >	
CN900	1-778-183-11	PLUG, CONNECTOR 18P	
		< DIODE >	
D901	8-719-420-90	DIODE MA8051-M	
D903	8-719-420-90	DIODE MA8051-M	
		< ELECTRO LUMINESCENT LIGHT >	
EL900	1-517-766-11	LIGHT, ELECTRO LUMINESCENT	
		< IC >	
IC900	8-759-496-75	IC uPD16432BGC-018-9EU	
IC901	8-749-012-25	IC RS-170-TU	
		< LIQUID CRYSTAL DISPLAY >	
LCD900	1-803-107-11	DISPLAY PANEL, LIQUID CRYSTAL	
		< DIODE >	
LED900	8-719-987-45	LED CL-155Y/PG-CD	
LED901	8-719-987-45	LED CL-155Y/PG-CD	
LED902	8-719-987-45	LED CL-155Y/PG-CD	
LED903	8-719-987-45	LED CL-155Y/PG-CD	
LED904	8-719-987-45	LED CL-155Y/PG-CD	
LED905	8-719-987-45	LED CL-155Y/PG-CD	
LED906	8-719-033-13	LED CL-170Y-CD-T	

Ref. No.	Part No.	Description	Remark	Ref. No.	Part No.	Description	Remark
LED907	8-719-033-14	LED CL-170PG-CD-T		R932	1-216-037-00	METAL CHIP	330 5% 1/10W
		< SWITCH >		R933	1-216-037-00	METAL CHIP	330 5% 1/10W
LSW900	1-762-620-11	SWITCH, KEY BOARD (WITH LED) (OFF)		R935	1-216-182-00	RES,CHIP	220 5% 1/8W
LSW901	1-762-620-11	SWITCH, KEY BOARD (WITH LED) (MODE)		R936	1-216-182-00	RES,CHIP	220 5% 1/8W
LSW902	1-762-620-11	SWITCH, KEY BOARD (WITH LED) (SOURCE)		R937	1-216-037-00	METAL CHIP	330 5% 1/10W
LSW903	1-762-620-11	SWITCH, KEY BOARD (WITH LED) (SOUND)		R938	1-216-037-00	METAL CHIP	330 5% 1/10W
LSW904	1-762-620-11	SWITCH, KEY BOARD (WITH LED) (DSPL)		R939	1-216-190-00	RES,CHIP	470 5% 1/8W
LSW905	1-762-620-11	SWITCH, KEY BOARD (WITH LED) (SHIFT)		R941	1-216-025-00	RES,CHIP	100 5% 1/10W
LSW906	1-762-620-11	SWITCH, KEY BOARD (WITH LED) (1)		R942	1-216-041-00	METAL CHIP	470 5% 1/10W
LSW907	1-762-620-11	SWITCH, KEY BOARD (WITH LED) (2)		R943	1-216-025-00	RES,CHIP	100 5% 1/10W
LSW908	1-762-620-11	SWITCH, KEY BOARD (WITH LED) (3)		R944	1-216-037-00	METAL CHIP	330 5% 1/10W
LSW909	1-762-620-11	SWITCH, KEY BOARD (WITH LED) (PTY/LIST)		R945	1-216-081-00	METAL CHIP	22K 5% 1/10W
LSW910	1-762-620-11	SWITCH, KEY BOARD (WITH LED) (AF/TA)	(C8100R)	R946	1-216-089-00	RES,CHIP	47K 5% 1/10W
LSW911	1-762-620-11	SWITCH, KEY BOARD (WITH LED) (TIR)	(C8100R)	R947	1-216-089-00	RES,CHIP	47K 5% 1/10W
LSW912	1-762-620-11	SWITCH, KEY BOARD (WITH LED) (10)		R948	1-216-049-11	RES,CHIP	1K 5% 1/10W
LSW913	1-762-620-11	SWITCH, KEY BOARD (WITH LED) (9)		R949	1-216-049-11	RES,CHIP	1K 5% 1/10W
LSW914	1-762-620-11	SWITCH, KEY BOARD (WITH LED) (8)		R950	1-216-049-11	RES,CHIP	1K 5% 1/10W
LSW915	1-762-620-11	SWITCH, KEY BOARD (WITH LED) (7)		R951	1-216-049-11	RES,CHIP	1K 5% 1/10W
LSW916	1-762-620-11	SWITCH, KEY BOARD (WITH LED) (6)		R952	1-216-097-00	RES,CHIP	100K 5% 1/10W
LSW917	1-762-620-11	SWITCH, KEY BOARD (WITH LED) (5)		R953	1-216-057-00	METAL CHIP	2.2K 5% 1/10W
LSW918	1-762-620-11	SWITCH, KEY BOARD (WITH LED) (4)		R954	1-216-057-00	METAL CHIP	2.2K 5% 1/10W
		< TRANSISTOR >		R955	1-216-057-00	METAL CHIP	2.2K 5% 1/10W
Q900	8-729-904-66	TRANSISTOR DTD113EK		R956	1-216-057-00	METAL CHIP	2.2K 5% 1/10W
Q901	8-729-904-66	TRANSISTOR DTD113EK		R957	1-216-057-00	METAL CHIP	2.2K 5% 1/10W
Q902	8-729-424-08	TRANSISTOR UN2111		R958	1-216-057-00	METAL CHIP	2.2K 5% 1/10W
Q903	8-729-424-08	TRANSISTOR UN2111		R960	1-216-025-00	RES,CHIP	100 5% 1/10W (C8100)
		< RESISTOR >		R961	1-216-025-00	RES,CHIP	100 5% 1/10W (C8100)
R901	1-216-045-00	METAL CHIP	680 5% 1/10W	R962	1-216-025-00	RES,CHIP	100 5% 1/10W (C8100)
R902	1-216-045-00	METAL CHIP	680 5% 1/10W	R963	1-216-025-00	RES,CHIP	100 5% 1/10W (C8100)
R903	1-216-045-00	METAL CHIP	680 5% 1/10W			< ROTARY ENCODER >	
R904	1-216-049-11	RES,CHIP	1K 5% 1/10W	RE900	1-475-014-11	ENCODER, ROTARY	
R905	1-216-053-00	METAL CHIP	1.5K 5% 1/10W			< SWITCH >	
R906	1-216-053-00	METAL CHIP	1.5K 5% 1/10W	S900	1-771-290-11	SWITCH, SLIDE (SEEK/AMS)	
R907	1-216-057-00	METAL CHIP	2.2K 5% 1/10W	*****			
R908	1-216-061-00	METAL CHIP	3.3K 5% 1/10W	*	A-3313-644-A	MAIN BOARD, COMPLETE (AEP,UK)	
R909	1-216-065-00	RES,CHIP	4.7K 5% 1/10W	*	A-3313-652-A	MAIN BOARD, COMPLETE (C8100)	
R910	1-216-069-00	METAL CHIP	6.8K 5% 1/10W	*	A-3313-656-A	MAIN BOARD, COMPLETE (G)	*****
R911	1-216-045-00	METAL CHIP	680 5% 1/10W				
R912	1-216-045-00	METAL CHIP	680 5% 1/10W	*	3-011-078-01	BRACKET (POWER IC)	
R913	1-216-045-00	METAL CHIP	680 5% 1/10W	*	3-022-306-01	HEAT SINK	
R914	1-216-049-11	RES,CHIP	1K 5% 1/10W	*	3-022-317-01	BRACKET (AMP)	
R915	1-216-053-00	METAL CHIP	1.5K 5% 1/10W		7-685-794-09	SCREW +PTT 2.6X10 (S)	
R916	1-216-053-00	METAL CHIP	1.5K 5% 1/10W			< BUZZER >	
R917	1-216-057-00	METAL CHIP	2.2K 5% 1/10W	BZ600	1-504-920-11	BUZZER	
R918	1-216-061-00	METAL CHIP	3.3K 5% 1/10W				
R919	1-216-065-00	RES,CHIP	4.7K 5% 1/10W				
R920	1-216-069-00	METAL CHIP	6.8K 5% 1/10W				
R931	1-216-033-00	METAL CHIP	220 5% 1/10W				

MAIN

Ref. No.	Part No.	Description				Remark	Ref. No.	Part No.	Description				Remark
		< CAPACITOR >											
C10	1-163-235-11	CERAMIC CHIP	22PF	5%	50V	C101	1-162-970-11	CERAMIC CHIP	0.01uF	10%	25V	(C8100R)	
C11	1-126-933-11	ELECT	100uF	20%	10V	C102	1-126-157-11	ELECT	10uF	20%	16V	(C8100R)	
C12	1-163-809-11	CERAMIC CHIP	0.047uF	10%	25V	C103	1-126-157-11	ELECT	10uF	20%	16V	(C8100R)	
C13	1-126-933-11	ELECT	100uF	20%	10V	C104	1-162-957-11	CERAMIC CHIP	220PF	5%	50V	(C8100R)	
C14	1-163-809-11	CERAMIC CHIP	0.047uF	10%	25V	C105	1-107-826-11	CERAMIC CHIP	0.1uF	10%	16V	(C8100R)	
C15	1-126-933-11	ELECT	100uF	20%	10V	C106	1-164-004-11	CERAMIC CHIP	0.1uF	10%	25V	(C8100R)	
C16	1-163-809-11	CERAMIC CHIP	0.047uF	10%	25V	C107	1-164-489-11	CERAMIC CHIP	0.22uF	10%	16V	(C8100R)	
C17	1-164-232-11	CERAMIC CHIP	0.01uF		50V	C150	1-107-826-11	CERAMIC CHIP	0.1uF	10%	16V	(C8100R)	
C18	1-164-004-11	CERAMIC CHIP	0.1uF	10%	25V	C152	1-163-237-11	CERAMIC CHIP	27PF	5%	50V	(C8100R)	
C19	1-163-251-11	CERAMIC CHIP	100PF	5%	50V	C153	1-163-237-11	CERAMIC CHIP	27PF	5%	50V	(C8100R)	
C20	1-164-232-11	CERAMIC CHIP	0.01uF		50V	C154	1-164-004-11	CERAMIC CHIP	0.1uF	10%	25V	(C8100R)	
C21	1-163-009-11	CERAMIC CHIP	0.001uF	10%	50V	C155	1-163-251-11	CERAMIC CHIP	100PF	5%	50V	(C8100R)	
C22	1-163-251-11	CERAMIC CHIP	100PF	5%	50V	C158	1-164-161-11	CERAMIC CHIP	0.0022uF	10%	100V	(C8100R)	
C23	1-164-222-11	CERAMIC CHIP	0.22uF		25V	C159	1-163-135-00	CERAMIC CHIP	560PF	5%	50V	(C8100R)	
C24	1-126-157-11	ELECT	10uF	20%	16V	C160	1-164-505-11	CERAMIC CHIP	2.2uF		16V	(C8100R)	
C25	1-124-234-00	ELECT	22uF	20%	16V	C161	1-163-263-11	CERAMIC CHIP	330PF	5%	50V	(C8100R)	
C28	1-164-222-11	CERAMIC CHIP	0.22uF		25V	C162	1-164-004-11	CERAMIC CHIP	0.1uF	10%	25V	(C8100R)	
C29	1-163-809-11	CERAMIC CHIP	0.047uF	10%	25V	C201	1-126-935-11	ELECT	470uF	20%	16V		
C31	1-124-589-11	ELECT	47uF	20%	16V	C202	1-124-234-00	ELECT	22uF	20%	16V		
C32	1-126-157-11	ELECT	10uF	20%	16V	C204	1-117-370-11	CERAMIC CHIP	10uF		10V		
C33	1-163-234-11	CERAMIC CHIP	20PF	5%	50V	C205	1-164-004-11	CERAMIC CHIP	0.1uF	10%	25V		
C34	1-163-243-11	CERAMIC CHIP	47PF	5%	50V	C206	1-164-004-11	CERAMIC CHIP	0.1uF	10%	25V		
C35	1-124-234-00	ELECT	22uF	20%	16V	C207	1-164-222-11	CERAMIC CHIP	0.22uF		25V		
C37	1-164-004-11	CERAMIC CHIP	0.1uF	10%	25V	C230	1-163-251-11	CERAMIC CHIP	100PF	5%	50V		
C38	1-164-161-11	CERAMIC CHIP	0.0022uF	10%	100V	C231	1-163-251-11	CERAMIC CHIP	100PF	5%	50V		
C39	1-163-989-11	CERAMIC CHIP	0.033uF	10%	25V	C232	1-163-251-11	CERAMIC CHIP	100PF	5%	50V		
C39	1-164-232-11	CERAMIC CHIP	0.01uF		50V	C233	1-163-263-11	CERAMIC CHIP	330PF	5%	50V		
C40	1-164-232-11	CERAMIC CHIP	0.01uF		50V	C234	1-163-263-11	CERAMIC CHIP	330PF	5%	50V		
C41	1-164-232-11	CERAMIC CHIP	0.01uF		50V	C235	1-164-232-11	CERAMIC CHIP	0.01uF		50V		
C50	1-163-023-00	CERAMIC CHIP	0.015uF	5%	50V	C236	1-126-159-11	ELECT	0.47uF	20%	50V		
C51	1-164-344-11	CERAMIC CHIP	0.068uF	10%	25V	C237	1-164-004-11	CERAMIC CHIP	0.1uF	10%	25V		
C52	1-126-301-11	ELECT	1uF	20%	50V	C240	1-163-251-11	CERAMIC CHIP	100PF	5%	50V		
C53	1-126-157-11	ELECT	10uF	20%	16V	C241	1-163-251-11	CERAMIC CHIP	100PF	5%	50V		
C54	1-126-157-11	ELECT	10uF	20%	16V	C242	1-163-251-11	CERAMIC CHIP	100PF	5%	50V		
C60	1-163-037-11	CERAMIC CHIP	0.022uF	10%	25V	C243	1-163-263-11	CERAMIC CHIP	330PF	5%	50V		
C61	1-126-163-11	ELECT	4.7uF	20%	50V	C244	1-163-263-11	CERAMIC CHIP	330PF	5%	50V		
C62	1-124-257-00	ELECT	2.2uF	20%	50V	C245	1-164-232-11	CERAMIC CHIP	0.01uF		50V		
C63	1-163-275-11	CERAMIC CHIP	0.001uF	5%	50V								
C64	1-163-275-11	CERAMIC CHIP	0.001uF	5%	50V								
C80	1-163-037-11	CERAMIC CHIP	0.022uF	10%	25V								
C81	1-126-163-11	ELECT	4.7uF	20%	50V								
C82	1-124-257-00	ELECT	2.2uF	20%	50V								
C83	1-163-275-11	CERAMIC CHIP	0.001uF	5%	50V								
C84	1-163-275-11	CERAMIC CHIP	0.001uF	5%	50V								
C100	1-163-989-11	CERAMIC CHIP	0.033uF	10%	25V								

Ref. No.	Part No.	Description	Remark	Ref. No.	Part No.	Description	Remark
C246	1-126-159-11	ELECT	0.47uF 20% 50V	C408	1-164-161-11	CERAMIC CHIP	0.0022uF 10% 100V
C247	1-164-004-11	CERAMIC CHIP	0.1uF 10% 25V	C409	1-126-159-11	ELECT	0.47uF 20% 50V
C250	1-124-234-00	ELECT	22uF 20% 16V	C410	1-126-157-11	ELECT	10uF 20% 16V
C251	1-107-823-11	CERAMIC CHIP	0.47uF 10% 16V	C416	1-124-234-00	ELECT	22uF 20% 16V
C252	1-163-023-00	CERAMIC CHIP	0.015uF 5% 50V	C420	1-164-004-11	CERAMIC CHIP	0.1uF 10% 25V
C253	1-163-023-00	CERAMIC CHIP	0.015uF 5% 50V	C421	1-163-012-00	CERAMIC CHIP	0.0018uF 10% 50V
C254	1-124-589-11	ELECT	47uF 20% 16V	C422	1-164-004-11	CERAMIC CHIP	0.1uF 10% 25V
C255	1-163-139-00	CERAMIC CHIP	820PF 5% 50V	C430	1-126-157-11	ELECT	10uF 20% 16V
C301	1-124-257-00	ELECT	2.2uF 20% 50V	C431	1-115-175-11	ELECT	100uF 20% 16V
C303	1-124-257-00	ELECT	2.2uF 20% 50V	C432	1-126-157-11	ELECT	10uF 20% 16V
C304	1-124-257-00	ELECT	2.2uF 20% 50V	C433	1-163-141-00	CERAMIC CHIP	0.001uF 5% 50V
C305	1-163-809-11	CERAMIC CHIP	0.047uF 10% 25V	C440	1-126-157-11	ELECT	10uF 20% 16V
C306	1-164-161-11	CERAMIC CHIP	0.0022uF 10% 100V	C441	1-115-175-11	ELECT	100uF 20% 16V
C307	1-126-157-11	ELECT	10uF 20% 16V	C442	1-126-157-11	ELECT	10uF 20% 16V
C308	1-164-161-11	CERAMIC CHIP	0.0022uF 10% 100V	C443	1-163-141-00	CERAMIC CHIP	0.001uF 5% 50V
C309	1-126-159-11	ELECT	0.47uF 20% 50V	C461	1-124-234-00	ELECT	22uF 20% 16V
C310	1-126-157-11	ELECT	10uF 20% 16V	C462	1-110-501-11	CERAMIC CHIP	0.33uF 10% 16V
C316	1-124-234-00	ELECT	22uF 20% 16V	C463	1-107-823-11	CERAMIC CHIP	0.47uF 10% 16V
C320	1-164-004-11	CERAMIC CHIP	0.1uF 10% 25V	C464	1-126-157-11	ELECT	10uF 20% 16V
C321	1-163-012-00	CERAMIC CHIP	0.0018uF 10% 50V	C465	1-126-157-11	ELECT	10uF 20% 16V
C322	1-164-004-11	CERAMIC CHIP	0.1uF 10% 25V	C466	1-126-163-11	ELECT	4.7uF 20% 50V
C330	1-126-157-11	ELECT	10uF 20% 16V	C467	1-163-243-11	CERAMIC CHIP	47PF 5% 50V
C331	1-115-175-11	ELECT	100uF 20% 16V	C500	1-163-037-11	CERAMIC CHIP	0.022uF 10% 25V
C332	1-126-157-11	ELECT	10uF 20% 16V	C501	1-163-037-11	CERAMIC CHIP	0.022uF 10% 25V
C333	1-163-141-00	CERAMIC CHIP	0.001uF 5% 50V	C503	1-163-017-00	CERAMIC CHIP	0.0047uF 5% 50V
C340	1-126-157-11	ELECT	10uF 20% 16V	C504	1-125-701-11	DOUBLE LAYERS	0.047F 5.5V
C341	1-115-175-11	ELECT	100uF 20% 16V	C505	1-124-584-00	ELECT	100uF 20% 10V
C342	1-126-157-11	ELECT	10uF 20% 16V	C506	1-164-489-11	CERAMIC CHIP	0.22uF 10% 16V
C343	1-163-141-00	CERAMIC CHIP	0.001uF 5% 50V	C507	1-164-004-11	CERAMIC CHIP	0.1uF 10% 25V
C350	1-164-004-11	CERAMIC CHIP	0.1uF 10% 25V	C510	1-126-157-11	ELECT	10uF 20% 16V
C351	1-126-154-11	ELECT	47uF 20% 6.3V	C511	1-124-234-00	ELECT	22uF 20% 16V
C352	1-164-232-11	CERAMIC CHIP	0.01uF 50V	C513	1-126-157-11	ELECT	10uF 20% 16V
C353	1-124-584-00	ELECT	100uF 20% 10V	C514	1-164-004-11	CERAMIC CHIP	0.1uF 10% 25V
C354	1-163-009-11	CERAMIC CHIP	0.001uF 10% 50V	C515	1-164-004-11	CERAMIC CHIP	0.1uF 10% 25V
C355	1-126-157-11	ELECT	10uF 20% 16V	C516	1-164-004-11	CERAMIC CHIP	0.1uF 10% 25V
C356	1-164-232-11	CERAMIC CHIP	0.01uF 50V	C517	1-164-004-11	CERAMIC CHIP	0.1uF 10% 25V
C357	1-124-584-00	ELECT	100uF 20% 10V	C518	1-126-157-11	ELECT	10uF 20% 16V
C358	1-126-163-11	ELECT	4.7uF 20% 50V	C519	1-163-009-11	CERAMIC CHIP	0.001uF 10% 50V
C359	1-163-009-11	CERAMIC CHIP	0.001uF 10% 50V	C520	1-163-009-11	CERAMIC CHIP	0.001uF 10% 50V
C360	1-164-232-11	CERAMIC CHIP	0.01uF 50V	C521	1-164-346-11	CERAMIC CHIP	1uF 16V
C361	1-124-234-00	ELECT	22uF 20% 16V	C530	1-164-004-11	CERAMIC CHIP	0.1uF 10% 25V
C362	1-110-501-11	CERAMIC CHIP	0.33uF 10% 16V	C531	1-124-584-00	ELECT	100uF 20% 10V
C363	1-107-823-11	CERAMIC CHIP	0.47uF 10% 16V	C532	1-164-004-11	CERAMIC CHIP	0.1uF 10% 25V
C364	1-126-157-11	ELECT	10uF 20% 16V	C550	1-126-157-11	ELECT	10uF 20% 16V
C365	1-126-157-11	ELECT	10uF 20% 16V	C601	1-126-157-11	ELECT	10uF 20% 16V
C366	1-126-163-11	ELECT	4.7uF 20% 50V	C602	1-126-154-11	ELECT	47uF 20% 6.3V
C367	1-163-243-11	CERAMIC CHIP	47PF 5% 50V	C603	1-164-004-11	CERAMIC CHIP	0.1uF 10% 25V
C401	1-124-257-00	ELECT	2.2uF 20% 50V	C604	1-163-235-11	CERAMIC CHIP	22PF 5% 50V
C403	1-124-257-00	ELECT	2.2uF 20% 50V	C605	1-163-229-11	CERAMIC CHIP	12PF 5% 50V
C404	1-124-257-00	ELECT	2.2uF 20% 50V	C606	1-107-826-11	CERAMIC CHIP	0.1uF 10% 16V
C405	1-163-809-11	CERAMIC CHIP	0.047uF 10% 25V	C607	1-107-826-11	CERAMIC CHIP	0.1uF 10% 16V
C406	1-164-161-11	CERAMIC CHIP	0.0022uF 10% 100V	C608	1-164-232-11	CERAMIC CHIP	0.01uF 50V
C407	1-126-157-11	ELECT	10uF 20% 16V	C609	1-124-229-00	ELECT	33uF 20% 10V

MAIN

Ref. No.	Part No.	Description	Remark	Ref. No.	Part No.	Description	Remark
C610	1-107-826-11	CERAMIC CHIP	0.1uF 10% 16V			< DIODE >	
C611	1-164-004-11	CERAMIC CHIP	0.1uF 10% 25V				
C612	1-163-009-11	CERAMIC CHIP	0.001uF 10% 50V	D10	8-719-040-04	DIODE MA721WK-(TX)	
C613	1-164-232-11	CERAMIC CHIP	0.01uF 50V	D11	8-719-422-49	DIODE MA8056-L	
C614	1-163-009-11	CERAMIC CHIP	0.001uF 10% 50V	D12	8-719-422-97	DIODE MA8091-M	
C615	1-163-229-11	CERAMIC CHIP	12PF 5% 50V	D50	8-719-422-16	DIODE MA8039-L-TX	
C650	1-164-004-11	CERAMIC CHIP	0.1uF 10% 25V	D200	8-719-040-04	DIODE MA721WK-(TX)	
C651	1-126-157-11	ELECT	10uF 20% 16V	D201	8-719-200-82	DIODE 11ES2	
C701	1-111-233-11	ELECT	5600uF 20% 16V	D202	8-719-422-97	DIODE MA8091-M	
C702	1-164-004-11	CERAMIC CHIP	0.1uF 10% 25V	D350	8-719-422-16	DIODE MA8039-L-TX	
C703	1-115-334-11	FILM	0.47uF 5% 50V	D351	8-719-422-16	DIODE MA8039-L-TX	
C704	1-124-589-11	ELECT	47uF 20% 16V	D501	8-719-423-23	DIODE MA8110-M	
C705	1-163-251-11	CERAMIC CHIP	100PF 5% 50V	D502	8-719-423-23	DIODE MA8110-M	
C706	1-136-227-11	MYLAR	0.001uF 5% 50V	D503	8-719-423-32	DIODE MA8120-M	
C707	1-136-227-11	MYLAR	0.001uF 5% 50V	D504	8-719-423-32	DIODE MA8120-M	
C708	1-163-251-11	CERAMIC CHIP	100PF 5% 50V	D506	8-719-400-20	DIODE MA152WA	
C709	1-115-326-11	FILM	0.1uF 5% 50V	D507	8-719-404-49	DIODE MA111	
C710	1-126-163-11	ELECT	4.7uF 20% 50V	D508	8-719-422-64	DIODE MA8062-M	
C711	1-126-933-11	ELECT	100uF 20% 16V	D509	8-719-422-64	DIODE MA8062-M	
C712	1-126-301-11	ELECT	1uF 20% 50V	D510	8-719-404-49	DIODE MA111	
C713	1-126-157-11	ELECT	10uF 20% 16V	D512	8-719-422-64	DIODE MA8062-M	
C714	1-126-163-11	ELECT	4.7uF 20% 50V	D513	8-719-422-64	DIODE MA8062-M	
C715	1-164-004-11	CERAMIC CHIP	0.1uF 10% 25V	D514	8-719-422-64	DIODE MA8062-M	
C720	1-164-004-11	CERAMIC CHIP	0.1uF 10% 25V	D515	8-719-422-64	DIODE MA8062-M	
C740	1-164-004-11	CERAMIC CHIP	0.1uF 10% 25V	D516	8-719-422-64	DIODE MA8062-M	
C750	1-164-004-11	CERAMIC CHIP	0.1uF 10% 25V	D517	8-719-422-64	DIODE MA8062-M	
C760	1-164-004-11	CERAMIC CHIP	0.1uF 10% 25V	D518	8-719-422-64	DIODE MA8062-M	
C770	1-164-004-11	CERAMIC CHIP	0.1uF 10% 25V	D519	8-719-422-64	DIODE MA8062-M	
C782	1-163-251-11	CERAMIC CHIP	100PF 5% 50V	D520	8-719-422-64	DIODE MA8062-M	
C783	1-163-251-11	CERAMIC CHIP	100PF 5% 50V	D521	8-719-422-64	DIODE MA8062-M	
C784	1-163-251-11	CERAMIC CHIP	100PF 5% 50V	D522	8-719-422-64	DIODE MA8062-M	
C785	1-163-251-11	CERAMIC CHIP	100PF 5% 50V	D523	8-719-404-49	DIODE MA111	
C786	1-163-251-11	CERAMIC CHIP	100PF 5% 50V	D524	8-719-040-04	DIODE MA721WK-(TX)	
C787	1-163-251-11	CERAMIC CHIP	100PF 5% 50V	D525	8-719-404-49	DIODE MA111	
C788	1-163-251-11	CERAMIC CHIP	100PF 5% 50V	D530	8-719-067-56	DIODE MA112-TX	
C789	1-163-251-11	CERAMIC CHIP	100PF 5% 50V	D532	8-719-067-56	DIODE MA112-TX	
		< CONNECTOR >		D533	8-719-404-49	DIODE MA111	
* CN201	1-506-995-11	PIN, CONNECTOR (PC BOARD) 13P		D534	8-719-404-49	DIODE MA111	
CN250	1-766-260-11	CONNECTOR, FFC/FPC (ZIF) 7P		D601	8-719-022-90	DIODE MA8160M	
CN500	1-770-411-11	CONNECTOR, BOARD TO BOARD 20P		D602	8-719-060-80	DIODE MA8180-L-TX	
CN551	1-564-510-11	PLUG, CONNECTOR 7P		D603	8-719-060-80	DIODE MA8180-L-TX	
CN600	1-580-907-31	PLUG, CONNECTOR 8P (BUS CONTROL IN)		D604	8-719-404-49	DIODE MA111	
CN700	1-774-701-11	PIN, CONNECTOR 16P		D605	8-719-422-64	DIODE MA8062-M	
		< JACK >		D606	8-719-017-62	DIODE MA8068-L-TX	
CN780	1-774-699-12	JACK, PIN 4P (BUS AUDIO IN, LINE OUT REAR)		D608	8-719-033-43	DIODE RB751H	
CN781	1-774-699-12	JACK, PIN 4P (LINE OUT FRONT, SUB OUT)		D701	8-719-313-73	DIODE SFPB-52	
		< DISCHARGE GAP >		D702	8-719-313-73	DIODE SFPB-52	
CP10	1-519-504-11	GAP, DISCHARGE		D703	8-719-313-73	DIODE SFPB-52	
				D704	8-719-313-73	DIODE SFPB-52	
				D705	8-719-313-73	DIODE SFPB-52	
				D706	8-719-313-73	DIODE SFPB-52	
				D707	8-719-313-73	DIODE SFPB-52	
				D708	8-719-313-73	DIODE SFPB-52	

Ref. No.	Part No.	Description	Remark	Ref. No.	Part No.	Description	Remark
D709	8-719-422-64	DIODE MA8062-M				< JACK >	
D710	8-719-049-38	DIODE 1N5404TU					
D711	8-719-404-49	DIODE MA111		J500	1-566-822-41	JACK (REMOTE IN)	
D712	8-719-200-82	DIODE 11ES2				< COIL >	
D713	8-719-422-76	DIODE MA8075-M					
D714	8-719-801-78	DIODE 1SS184		L10	1-414-146-31	INDUCTOR 2.2uH	
D715	8-719-404-49	DIODE MA111		L11	1-414-146-31	INDUCTOR 2.2uH	
D717	8-719-404-49	DIODE MA111		L12	1-410-204-31	INDUCTOR CHIP 10uH	
D718	8-719-313-73	DIODE SFPB-52		L13	1-410-204-31	INDUCTOR CHIP 10uH	
D719	8-719-313-73	DIODE SFPB-52		L14	1-410-999-11	INDUCTOR CHIP 3.3uH	
		< IC LINK >		L100	1-410-204-31	INDUCTOR CHIP 10uH (C8100R)	
F550	1-533-674-11	LINK, CHIP IC (ICP-S0.5) 0.5A		L150	1-410-204-31	INDUCTOR CHIP 10uH (C8100R)	
		< FUSE >		L500	1-410-513-11	INDUCTOR 22uH	
F701	1-532-877-11	FUSE (BLADE TYPE) (AUTO FUSE) 10A		L550	1-414-712-21	INDUCTOR 1mH	
		< FERRITE BEAD >		L650	1-410-204-31	INDUCTOR CHIP 10uH	
FB100	1-414-233-21	INDUCTOR, FERRITE BEAD (C8100R)		L700	1-416-712-11	COIL, CHOKE	
FB500	1-414-233-21	INDUCTOR, FERRITE BEAD				< EARTH TERMINAL >	
FB600	1-414-233-21	INDUCTOR, FERRITE BEAD		* LUG1	1-537-738-21	TERMINAL, EARTH	
		< IC >				< TRANSISTOR >	
IC10	8-759-448-85	IC BU2624FV-E2		Q10	8-729-920-85	TRANSISTOR 2SD1664-QR	
IC11	8-759-184-64	IC TC4W66FU (C8100R)		Q11	8-729-208-21	TRANSISTOR 2SC2712L-TE85L-T	
IC50	8-759-711-82	IC NJM4580E		Q12	8-729-208-21	TRANSISTOR 2SC2712L-TE85L-T (C8100R)	
IC51	8-759-242-66	IC TC4W66F (C8100R)		Q13	8-729-208-21	TRANSISTOR 2SC2712L-TE85L-T	
IC100	8-759-374-66	IC MSM6688GS-2K (C8100R)		Q14	8-729-421-22	TRANSISTOR UN2211	
IC101	8-759-448-87	IC MSM6684JSDR1 (C8100R)		Q15	8-729-020-67	TRANSISTOR XN1A312-TX	
IC150	8-759-492-59	IC SAA6588T-118 (C8100R)		Q17	8-729-021-94	FET 2SK1657-T1B	
IC201	8-759-823-87	IC LB1638M		Q50	8-729-920-21	TRANSISTOR DTC314TKH04	
IC250	8-752-079-79	IC CXA2510AQ-T4		Q51	8-729-020-67	TRANSISTOR XN1A312-TX	
IC301	8-752-078-67	IC CXA1946BQ-T6		Q52	8-729-421-22	TRANSISTOR UN2211 (C8100R)	
IC302	8-759-711-82	IC NJM4580E		Q53	8-729-421-22	TRANSISTOR UN2211 (C8100R)	
IC310	8-759-444-50	IC TDA8574(T)		Q60	8-729-920-21	TRANSISTOR DTC314TKH04	
IC320	8-759-711-82	IC NJM4580E		Q80	8-729-920-21	TRANSISTOR DTC314TKH04	
IC350	8-752-067-30	IC CXA1846N		Q201	8-729-421-22	TRANSISTOR UN2211	
IC383	8-759-711-82	IC NJM4580E		Q202	8-729-020-67	TRANSISTOR XN1A312-TX	
IC410	8-759-444-50	IC TDA8574(T)		Q203	8-729-931-13	TRANSISTOR 2SD1858-P-TV2	
IC500	8-759-443-72	IC RH5VL43AA-T1		Q204	8-729-106-60	TRANSISTOR 2SB1115A	
IC501	8-759-495-76	IC RN5VD33AA-TL		Q250	8-729-421-22	TRANSISTOR UN2211	
IC502	8-759-347-50	IC BA3918-V3		Q330	8-729-420-68	TRANSISTOR 2SD1328-R-TX	
IC503	8-759-540-27	IC TA78DL06AS		Q340	8-729-420-68	TRANSISTOR 2SD1328-R-TX	
IC600	8-759-531-90	IC MB90574PFV-G-115-BND (C8100R)		Q360	8-729-920-21	TRANSISTOR DTC314TKH04	
IC600	8-759-531-91	IC MB90574PFV-G-116-BND (C8100)		Q361	8-729-920-21	TRANSISTOR DTC314TKH04	
IC602	8-759-449-89	IC BA8270F-E2		Q362	8-729-920-21	TRANSISTOR DTC314TKH04	
IC650	8-759-530-58	IC MSM6654A-519GS-KR1		Q430	8-729-420-68	TRANSISTOR 2SD1328-R-TX	
IC700	8-759-486-44	IC TDA7386		Q440	8-729-420-68	TRANSISTOR 2SD1328-R-TX	
		< CONNECTOR >		Q460	8-729-920-21	TRANSISTOR DTC314TKH04	
* J10	1-506-984-11	PIN, CONNECTOR (PC BOARD) 2P		Q461	8-729-920-21	TRANSISTOR DTC314TKH04	
				Q462	8-729-920-21	TRANSISTOR DTC314TKH04	
				Q501	8-729-020-67	TRANSISTOR XN1A312-TX	
				Q502	8-729-020-67	TRANSISTOR XN1A312-TX	

MAIN

Ref. No.	Part No.	Description	Remark	Ref. No.	Part No.	Description	Remark
Q503	8-729-424-59	TRANSISTOR UN2212		R51	1-216-081-00	METAL CHIP 22K	5% 1/10W
Q504	8-729-931-13	TRANSISTOR 2SD1858-P-TV2		R52	1-216-045-00	METAL CHIP 680	5% 1/10W
Q505	8-729-020-67	TRANSISTOR XN1A312-TX		R53	1-216-037-00	METAL CHIP 330	5% 1/10W
Q506	8-729-931-13	TRANSISTOR 2SD1858-P-TV2		R54	1-216-089-00	RES,CHIP 47K	5% 1/10W
Q507	8-729-020-67	TRANSISTOR XN1A312-TX					(C8100R)
Q508	8-729-216-22	TRANSISTOR 2SA1162-G		R55	1-216-073-00	METAL CHIP 10K	5% 1/10W
Q509	8-729-208-21	TRANSISTOR 2SC2712L-TE85L-T					(C8100R)
Q510	8-729-015-74	TRANSISTOR UN5111		R56	1-216-057-00	METAL CHIP 2.2K	5% 1/10W
Q511	8-729-015-74	TRANSISTOR UN5111					(C8100R)
Q512	8-729-208-21	TRANSISTOR 2SC2712L-TE85L-T		R57	1-216-001-00	METAL CHIP 10	5% 1/10W
Q550	8-729-019-03	TRANSISTOR 2SB1202FA-T-TL		R58	1-216-295-00	SHORT 0 (C8100)	
Q551	8-729-421-22	TRANSISTOR UN2211		R60	1-216-081-00	METAL CHIP 22K	5% 1/10W
Q600	8-729-421-22	TRANSISTOR UN2211		R61	1-216-089-00	RES,CHIP 47K	5% 1/10W
Q601	8-729-421-22	TRANSISTOR UN2211		R62	1-216-069-00	METAL CHIP 6.8K	5% 1/10W
Q602	8-729-403-35	TRANSISTOR UN5113		R63	1-216-069-00	METAL CHIP 6.8K	5% 1/10W
Q603	8-729-208-21	TRANSISTOR 2SC2712L-TE85L-T		R64	1-216-073-00	METAL CHIP 10K	5% 1/10W
Q700	8-729-424-56	TRANSISTOR UN211L		R65	1-216-071-00	METAL CHIP 8.2K	5% 1/10W
Q701	8-729-021-94	FET 2SK1657-T1B					(G)
Q702	8-729-021-94	FET 2SK1657-T1B		R65	1-216-077-00	METAL CHIP 15K	5% 1/10W
Q703	8-729-019-03	TRANSISTOR 2SB1202FA-T-TL					(EXCEPT G)
Q704	8-729-421-22	TRANSISTOR UN2211		R80	1-216-081-00	METAL CHIP 22K	5% 1/10W
Q705	8-729-208-21	TRANSISTOR 2SC2712L-TE85L-T		R81	1-216-089-00	RES,CHIP 47K	5% 1/10W
		< RESISTOR >		R82	1-216-069-00	METAL CHIP 6.8K	5% 1/10W
R9	1-216-049-11	RES,CHIP 1K	5% 1/10W	R83	1-216-069-00	METAL CHIP 6.8K	5% 1/10W
R10	1-216-049-11	RES,CHIP 1K	5% 1/10W	R84	1-216-073-00	METAL CHIP 10K	5% 1/10W
R11	1-216-037-00	METAL CHIP 330	5% 1/10W	R85	1-216-071-00	METAL CHIP 8.2K	5% 1/10W
R12	1-216-073-00	METAL CHIP 10K	5% 1/10W				(G)
R13	1-216-097-00	RES,CHIP 100K	5% 1/10W	R85	1-216-077-00	METAL CHIP 15K	5% 1/10W
			(C8100R)				(EXCEPT G)
R14	1-216-097-00	RES,CHIP 100K	5% 1/10W	R100	1-216-097-00	RES,CHIP 100K	5% 1/10W
			(C8100R)				(C8100R)
R15	1-216-049-11	RES,CHIP 1K	5% 1/10W	R101	1-216-849-11	METAL CHIP 220K	5% 1/16W
R18	1-216-065-00	RES,CHIP 4.7K	5% 1/10W				(C8100R)
			(C8100R)	R102	1-216-809-11	METAL CHIP 100	5% 1/16W
R19	1-216-049-11	RES,CHIP 1K	5% 1/10W				(C8100R)
R20	1-216-081-00	METAL CHIP 22K	5% 1/10W	R103	1-216-825-11	METAL CHIP 2.2K	5% 1/16W
			(C8100R)				(AEP,UK)
R21	1-216-081-00	METAL CHIP 22K	5% 1/10W	R104	1-216-821-11	METAL CHIP 1K	5% 1/16W
R22	1-216-073-00	METAL CHIP 10K	5% 1/10W				(C8100R)
R23	1-216-073-00	METAL CHIP 10K	5% 1/10W	R105	1-216-089-00	RES,CHIP 47K	5% 1/10W
R25	1-216-089-00	RES,CHIP 47K	5% 1/10W				(C8100R)
R26	1-216-845-11	METAL CHIP 100K	5% 1/16W	R106	1-216-097-00	RES,CHIP 100K	5% 1/10W
			(C8100)				(C8100R)
R27	1-216-845-11	METAL CHIP 100K	5% 1/16W	R107	1-216-845-11	METAL CHIP 100K	5% 1/16W
			(C8100)				(C8100R)
R30	1-216-025-00	RES,CHIP 100	5% 1/10W	R108	1-216-845-11	METAL CHIP 100K	5% 1/16W
R32	1-216-073-00	METAL CHIP 10K	5% 1/10W				(C8100R)
R33	1-216-089-00	RES,CHIP 47K	5% 1/10W	R109	1-216-845-11	METAL CHIP 100K	5% 1/16W
			(C8100R)				(C8100R)
R34	1-216-075-00	METAL CHIP 12K	5% 1/10W	R110	1-216-089-00	RES,CHIP 47K	5% 1/10W
			(C8100)				(C8100R)
R34	1-216-081-00	METAL CHIP 22K	5% 1/10W	R111	1-216-845-11	METAL CHIP 100K	5% 1/16W
			(C8100R)				(C8100R)
R35	1-216-057-00	METAL CHIP 2.2K	5% 1/10W	R150	1-216-853-11	METAL CHIP 470K	5% 1/16W
R36	1-216-049-11	RES,CHIP 1K	5% 1/10W				(C8100R)
R50	1-216-073-00	METAL CHIP 10K	5% 1/10W	R151	1-216-821-11	METAL CHIP 1K	5% 1/16W
			(C8100R)				(C8100R)

Ref. No.	Part No.	Description	Remark	Ref. No.	Part No.	Description	Remark
R152	1-216-067-00	METAL CHIP	5.6K 5% 1/10W (C8100R)	R335	1-216-049-11	RES,CHIP	1K 5% 1/10W
R154	1-216-817-11	METAL CHIP	470 5% 1/16W (C8100R)	R336	1-216-061-00	METAL CHIP	3.3K 5% 1/10W
R155	1-216-814-11	METAL CHIP	270 5% 1/16W (C8100R)	R340	1-216-049-11	RES,CHIP	1K 5% 1/10W
R156	1-216-814-11	METAL CHIP	270 5% 1/16W (C8100R)	R341	1-216-082-00	RES,CHIP	24K 5% 1/10W
R157	1-216-001-00	METAL CHIP	10 5% 1/10W (C8100R)	R342	1-216-086-00	RES,CHIP	36K 5% 1/10W
R158	1-216-001-00	METAL CHIP	10 5% 1/10W (C8100R)	R343	1-216-033-00	METAL CHIP	220 5% 1/10W
R201	1-216-150-00	RES,CHIP	10 5% 1/8W	R344	1-216-081-00	METAL CHIP	22K 5% 1/10W
R202	1-216-150-00	RES,CHIP	10 5% 1/8W	R345	1-216-049-11	RES,CHIP	1K 5% 1/10W
R203	1-216-150-00	RES,CHIP	10 5% 1/8W	R346	1-216-061-00	METAL CHIP	3.3K 5% 1/10W
R204	1-216-150-00	RES,CHIP	10 5% 1/8W	R350	1-216-065-00	RES,CHIP	4.7K 5% 1/10W
R205	1-216-073-00	METAL CHIP	10K 5% 1/10W	R351	1-216-065-00	RES,CHIP	4.7K 5% 1/10W
R206	1-216-065-00	RES,CHIP	4.7K 5% 1/10W	R352	1-216-298-00	METAL CHIP	2.2 5% 1/10W
R207	1-216-049-11	RES,CHIP	1K 5% 1/10W	R353	1-216-298-00	METAL CHIP	2.2 5% 1/10W
R209	1-216-089-00	RES,CHIP	47K 5% 1/10W	R355	1-216-001-00	METAL CHIP	10 5% 1/10W
R230	1-216-097-00	RES,CHIP	100K 5% 1/10W	R356	1-216-109-00	METAL CHIP	330K 5% 1/10W
R231	1-216-097-00	RES,CHIP	100K 5% 1/10W	R360	1-216-077-00	METAL CHIP	15K 5% 1/10W
R232	1-216-027-00	METAL CHIP	120 5% 1/10W	R361	1-216-085-00	METAL CHIP	33K 5% 1/10W
R233	1-216-109-00	METAL CHIP	330K 5% 1/10W	R362	1-216-065-00	RES,CHIP	4.7K 5% 1/10W
R234	1-216-079-00	METAL CHIP	18K 5% 1/10W	R363	1-216-689-11	METAL CHIP	39K 0.5% 1/10W
R235	1-216-075-00	METAL CHIP	12K 5% 1/10W	R364	1-216-033-00	METAL CHIP	220 5% 1/10W
R240	1-216-097-00	RES,CHIP	100K 5% 1/10W	R365	1-216-081-00	METAL CHIP	22K 5% 1/10W
R241	1-216-097-00	RES,CHIP	100K 5% 1/10W	R366	1-216-073-00	METAL CHIP	10K 5% 1/10W
R242	1-216-027-00	METAL CHIP	120 5% 1/10W	R367	1-216-073-00	METAL CHIP	10K 5% 1/10W
R243	1-216-109-00	METAL CHIP	330K 5% 1/10W	R368	1-216-097-00	RES,CHIP	100K 5% 1/10W
R244	1-216-079-00	METAL CHIP	18K 5% 1/10W	R369	1-216-097-00	RES,CHIP	100K 5% 1/10W
R245	1-216-075-00	METAL CHIP	12K 5% 1/10W	R401	1-216-073-00	METAL CHIP	10K 5% 1/10W
R250	1-216-681-11	METAL CHIP	18K 0.5% 1/10W (EXCEPT G)	R402	1-216-073-00	METAL CHIP	10K 5% 1/10W
R250	1-218-722-11	METAL CHIP	18K 0.50% 1/16W (G)	R403	1-216-073-00	METAL CHIP	10K 5% 1/10W
R251	1-216-057-00	METAL CHIP	2.2K 5% 1/10W	R404	1-216-069-00	METAL CHIP	6.8K 5% 1/10W
R252	1-216-065-00	RES,CHIP	4.7K 5% 1/10W	R405	1-216-079-00	METAL CHIP	18K 5% 1/10W
R253	1-216-113-00	METAL CHIP	470K 5% 1/10W	R406	1-216-077-00	METAL CHIP	15K 5% 1/10W
R254	1-216-089-00	RES,CHIP	47K 5% 1/10W	R407	1-216-025-00	RES,CHIP	100 5% 1/10W
R301	1-216-073-00	METAL CHIP	10K 5% 1/10W	R420	1-216-073-00	METAL CHIP	10K 5% 1/10W
R302	1-216-073-00	METAL CHIP	10K 5% 1/10W	R421	1-216-057-00	METAL CHIP	2.2K 5% 1/10W
R303	1-216-073-00	METAL CHIP	10K 5% 1/10W	R422	1-216-073-00	METAL CHIP	10K 5% 1/10W
R304	1-216-069-00	METAL CHIP	6.8K 5% 1/10W	R423	1-216-073-00	METAL CHIP	10K 5% 1/10W
R305	1-216-079-00	METAL CHIP	18K 5% 1/10W	R430	1-216-049-11	RES,CHIP	1K 5% 1/10W
R306	1-216-077-00	METAL CHIP	15K 5% 1/10W	R431	1-216-082-00	RES,CHIP	24K 5% 1/10W
R307	1-216-809-11	METAL CHIP	100 5% 1/16W	R432	1-216-086-00	RES,CHIP	36K 5% 1/10W
R320	1-216-073-00	METAL CHIP	10K 5% 1/10W	R433	1-216-033-00	METAL CHIP	220 5% 1/10W
R321	1-216-057-00	METAL CHIP	2.2K 5% 1/10W	R434	1-216-081-00	METAL CHIP	22K 5% 1/10W
R330	1-216-049-11	RES,CHIP	1K 5% 1/10W	R435	1-216-049-11	RES,CHIP	1K 5% 1/10W
R331	1-216-082-00	RES,CHIP	24K 5% 1/10W	R436	1-216-061-00	METAL CHIP	3.3K 5% 1/10W
R332	1-216-086-00	RES,CHIP	36K 5% 1/10W	R440	1-216-049-11	RES,CHIP	1K 5% 1/10W
R333	1-216-033-00	METAL CHIP	220 5% 1/10W	R441	1-216-082-00	RES,CHIP	24K 5% 1/10W
R334	1-216-081-00	METAL CHIP	22K 5% 1/10W	R442	1-216-086-00	RES,CHIP	36K 5% 1/10W
				R443	1-216-033-00	METAL CHIP	220 5% 1/10W
				R444	1-216-081-00	METAL CHIP	22K 5% 1/10W
				R445	1-216-049-11	RES,CHIP	1K 5% 1/10W
				R446	1-216-061-00	METAL CHIP	3.3K 5% 1/10W
				R460	1-216-077-00	METAL CHIP	15K 5% 1/10W
				R461	1-216-085-00	METAL CHIP	33K 5% 1/10W
				R462	1-216-065-00	RES,CHIP	4.7K 5% 1/10W

MAIN

Ref. No.	Part No.	Description	Remark	Ref. No.	Part No.	Description	Remark
R463	1-216-689-11	METAL CHIP	39K 0.5% 1/10W	R628	1-216-025-00	RES,CHIP	100 5% 1/10W
R464	1-216-033-00	METAL CHIP	220 5% 1/10W	R629	1-216-025-00	RES,CHIP	100 5% 1/10W
R465	1-216-081-00	METAL CHIP	22K 5% 1/10W	R630	1-216-089-00	RES,CHIP	47K 5% 1/10W
R466	1-216-073-00	METAL CHIP	10K 5% 1/10W	R631	1-216-049-11	RES,CHIP	1K 5% 1/10W
R467	1-216-073-00	METAL CHIP	10K 5% 1/10W	R632	1-216-815-11	METAL CHIP	330 5% 1/16W
R468	1-216-097-00	RES,CHIP	100K 5% 1/10W	R633	1-216-097-00	RES,CHIP	100K 5% 1/10W
R469	1-216-097-00	RES,CHIP	100K 5% 1/10W	R634	1-216-097-00	RES,CHIP	100K 5% 1/10W
R500	1-216-053-00	METAL CHIP	1.5K 5% 1/10W	R635	1-216-097-00	RES,CHIP	100K 5% 1/10W
R501	1-216-845-11	METAL CHIP	100K 5% 1/16W	R636	1-216-097-00	RES,CHIP	100K 5% 1/10W
R502	1-216-057-00	METAL CHIP	2.2K 5% 1/10W	R637	1-216-085-00	METAL CHIP	33K 5% 1/10W
R503	1-216-073-00	METAL CHIP	10K 5% 1/10W	R638	1-216-073-00	METAL CHIP	10K 5% 1/10W
R504	1-216-049-11	RES,CHIP	1K 5% 1/10W	R639	1-216-073-00	METAL CHIP	10K 5% 1/10W
R505	1-216-057-00	METAL CHIP	2.2K 5% 1/10W	R640	1-216-089-00	RES,CHIP	47K 5% 1/10W
R506	1-216-073-00	METAL CHIP	10K 5% 1/10W	R641	1-216-295-00	SHORT	0
R507	1-216-067-00	METAL CHIP	5.6K 5% 1/10W	R651	1-216-097-00	RES,CHIP	100K 5% 1/10W
R508	1-216-097-00	RES,CHIP	100K 5% 1/10W	R652	1-216-845-11	METAL CHIP	100K 5% 1/16W
R509	1-216-097-00	RES,CHIP	100K 5% 1/10W	R655	1-216-864-11	METAL CHIP	0 5% 1/16W
R510	1-216-097-00	RES,CHIP	100K 5% 1/10W	R656	1-216-097-00	RES,CHIP	100K 5% 1/10W
R511	1-216-675-11	METAL CHIP	10K 0.5% 1/10W				(C8100)
R512	1-216-675-11	METAL CHIP	10K 0.5% 1/10W	R657	1-216-864-11	METAL CHIP	0 5% 1/16W
R514	1-216-089-00	RES,CHIP	47K 5% 1/10W				(C8100R)
R515	1-216-073-00	METAL CHIP	10K 5% 1/10W	R658	1-216-097-00	RES,CHIP	100K 5% 1/10W
R516	1-216-097-00	RES,CHIP	100K 5% 1/10W	R660	1-216-049-11	RES,CHIP	1K 5% 1/10W
R517	1-216-097-00	RES,CHIP	100K 5% 1/10W	R661	1-216-049-11	RES,CHIP	1K 5% 1/10W
R518	1-216-025-00	RES,CHIP	100 5% 1/10W	R662	1-216-049-11	RES,CHIP	1K 5% 1/10W
R519	1-216-025-00	RES,CHIP	100 5% 1/10W	R663	1-216-049-11	RES,CHIP	1K 5% 1/10W
R520	1-216-049-11	RES,CHIP	1K 5% 1/10W	R701	1-216-222-00	RES,CHIP	10K 5% 1/8W
R530	1-216-675-11	METAL CHIP	10K 0.5% 1/10W	R702	1-216-206-00	RES,CHIP	2.2K 5% 1/8W
R531	1-216-675-11	METAL CHIP	10K 0.5% 1/10W	R703	1-216-049-11	RES,CHIP	1K 5% 1/10W
R532	1-216-675-11	METAL CHIP	10K 0.5% 1/10W	R704	1-216-017-00	RES,CHIP	47 5% 1/10W
R533	1-216-675-11	METAL CHIP	10K 0.5% 1/10W	R705	1-216-073-00	METAL CHIP	10K 5% 1/10W
R550	1-216-089-00	RES,CHIP	47K 5% 1/10W	R706	1-216-089-00	RES,CHIP	47K 5% 1/10W
R551	1-216-061-00	METAL CHIP	3.3K 5% 1/10W	R707	1-216-073-00	METAL CHIP	10K 5% 1/10W
R600	1-216-295-00	SHORT	0	R708	1-216-057-00	METAL CHIP	2.2K 5% 1/10W
R602	1-216-845-11	METAL CHIP	100K 5% 1/16W	R709	1-216-295-00	SHORT	0
R603	1-216-097-00	RES,CHIP	100K 5% 1/10W	R710	1-216-089-00	RES,CHIP	47K 5% 1/10W
R607	1-216-097-00	RES,CHIP	100K 5% 1/10W	R711	1-216-206-00	RES,CHIP	2.2K 5% 1/8W
R608	1-216-845-11	METAL CHIP	100K 5% 1/16W	R712	1-216-085-00	METAL CHIP	33K 5% 1/10W
R609	1-216-097-00	RES,CHIP	100K 5% 1/10W	R713	1-216-089-00	RES,CHIP	47K 5% 1/10W
R613	1-216-049-11	RES,CHIP	1K 5% 1/10W	R714	1-216-089-00	RES,CHIP	47K 5% 1/10W
R614	1-216-057-00	METAL CHIP	2.2K 5% 1/10W	R715	1-216-121-00	METAL CHIP	1M 5% 1/10W
R615	1-216-057-00	METAL CHIP	2.2K 5% 1/10W	R780	1-216-049-11	RES,CHIP	1K 5% 1/10W
R616	1-216-049-11	RES,CHIP	1K 5% 1/10W	R781	1-216-049-11	RES,CHIP	1K 5% 1/10W
R617	1-216-097-00	RES,CHIP	100K 5% 1/10W				< NETWORK RESISTOR >
R618	1-216-097-00	RES,CHIP	100K 5% 1/10W	RB100	1-236-412-11	NETWORK RESISTOR (CHIP)	1.0K (C8100R)
R619	1-216-097-00	RES,CHIP	100K 5% 1/10W	RB601	1-236-412-11	NETWORK RESISTOR (CHIP)	1.0K
R620	1-216-097-00	RES,CHIP	100K 5% 1/10W	RB602	1-236-412-11	NETWORK RESISTOR (CHIP)	1.0K
R622	1-216-097-00	RES,CHIP	100K 5% 1/10W				< VARIABLE RESISTOR >
R623	1-216-097-00	RES,CHIP	100K 5% 1/10W	RV10	1-238-095-11	RES, ADJ, CERMET	470K (C8100R)
R624	1-216-097-00	RES,CHIP	100K 5% 1/10W	RV230	1-238-090-11	RES, ADJ, CERMET	10K
R625	1-216-017-00	RES,CHIP	47 5% 1/10W	RV240	1-238-090-11	RES, ADJ, CERMET	10K
R626	1-216-206-00	RES,CHIP	2.2K 5% 1/8W				
R627	1-216-073-00	METAL CHIP	10K 5% 1/10W				

Ref. No.	Part No.	Description	Remark
		< SWITCH >	
S600	1-571-478-11	SWITCH, SLIDE (POWER SELECT)	
S601	1-571-478-11	SWITCH, SLIDE (FREQUENCY SELECT) (C8100)	
SW500	1-762-108-31	SWITCH, PUSH (1 KEY) (NOSE DET)	
		< THERMISTOR (POSITIVE) >	
TH600	1-801-792-21	THERMISTOR, POSITIVE 2.2	
TH700	1-801-792-21	THERMISTOR, POSITIVE 2.2	
		< TUNER >	
TUX10	A-3282-045-A	TUNER UNIT (TUX-012(E))	
		< VIBRATOR >	
X10	1-577-126-51	VIBRATOR, CRYSTAL (7.2MHz)	
X100	1-577-101-11	VIBRATOR, CERAMIC (4.19MHz) (C8100R)	
X150	1-760-556-31	VIBRATOR, CRYSTAL (4.332MHz) (C8100R)	
X600	1-767-833-21	VIBRATOR, CERAMIC (3.68MHz)	
X601	1-567-098-41	VIBRATOR, CRYSTAL (32.768kHz)	
X650	1-577-101-11	VIBRATOR, CERAMIC (4.19MHz)	

*	1-669-656-11	SUB BOARD *****	
		< CONNECTOR >	
CN800	1-779-170-11	SOCKET, CONNECTOR 20P	
CN801	1-779-169-11	SOCKET, CONNECTOR 18P	
CN802	1-778-330-21	PIN, CONNECTOR (PC BOARD) 2P	
		< DIODE >	
LED800	8-719-058-14	LED CL-220PG-C-TS (TAPE WINDOW)	
LED801	8-719-051-01	LED CL-170HR-CD-T (TIR) (C8100R)	
LED802	8-719-038-07	LED CL-190PG-CD-T (▲)	
		< RESISTOR >	
R800	1-216-049-11	RES,CHIP 1K 5% 1/10W	
R801	1-216-025-00	RES,CHIP 100 5% 1/10W	
R802	1-216-025-00	RES,CHIP 100 5% 1/10W	
R803	1-216-025-00	RES,CHIP 100 5% 1/10W	
R804	1-216-025-00	RES,CHIP 100 5% 1/10W	
R806	1-216-025-00	RES,CHIP 100 5% 1/10W	
R807	1-216-025-00	RES,CHIP 100 5% 1/10W	
R808	1-216-025-00	RES,CHIP 100 5% 1/10W	
R809	1-216-025-00	RES,CHIP 100 5% 1/10W	
		< SWITCH >	
SW800	1-572-921-11	SWITCH, KEY BOARD (RESET)	
SW801	1-771-027-11	SWITCH, KEY BOARD (WITH LED) (▲)	

Ref. No.	Part No.	Description	Remark
		MISCELLANEOUS *****	
17	1-783-495-11	CORD (WITH CONNECTOR) (INVERTER)	
18	1-777-246-11	CORD (WITH CONNECTOR) (ANTENNA)	
23	1-776-207-71	CORD (WITH CONNECTOR) (POWER) (C8100)	
23	1-776-527-71	CORD (WITH CONNECTOR) (ISO) (POWER) (C8100R)	
F701	1-532-877-11	FUSE (BLADE TYPE) (AUTO FUSE) 10A	
HP901	1-500-157-21	HEAD, MAGNETIC (PLAYBACK)	
M901	A-3291-665-A	MOTOR ASSY, MAIN (CAPSTAN/REEL)	

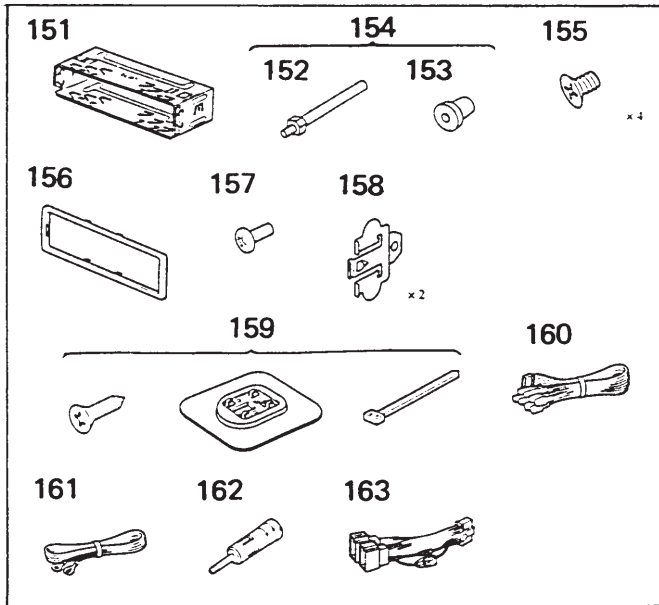
		ACCESSORIES & PACKING MATERIALS *****	
	1-467-559-91	REMOTE COMMANDER (RM-X47) (C8100)	
	9-939-081-01	LID, BATTERY (for RM-X47) (C8100)	
	1-473-067-71	REMOTE COMMANDER (RM-X4S)	
	3-012-070-01	LABEL (SOUND) (2) (FOR RM-X4S)	
	3-862-253-11	MANUAL, INSTRUCTION (ENGLISH,SPANISH, CHINESE) (C8100)	
	3-862-253-21	MANUAL, INSTRUCTION (ENGLISH,SPANISH, SWEDISH,PORTUGUESE) (AEP,UK)	
	3-862-253-31	MANUAL, INSTRUCTION (FRENCH,GERMAN, DUTCH,ITALIAN) (AEP)	
	3-862-253-41	MANUAL, INSTRUCTION (GERMAN) (G)	
	3-862-255-11	MANUAL, INSTRUCTION, INSTALL (ENGLISH, SPANISH,CHINESE) (C8100)	
	3-862-255-21	MANUAL, INSTRUCTION, INSTALL (ENGLISH, SPANISH,SWEDISH,PORTUGUESE) (AEP,UK)	
	3-862-255-31	MANUAL, INSTRUCTION, INSTALL (FRENCH, GERMAN,DUTCH,ITALIAN) (AEP,G)	
	3-862-619-11	MANUAL, INSTRUCTION, INSTALL (ENGLISH, FRENCH,GERMAN,SPANISH,DUTCH,SWEDISH, ITALIAN,PORTUGUESE,CHINESE) (RM-X4S)	
	X-3373-926-1	CASE ASSY (XR)	

		***** HARDWARE LIST *****	
#1	7-621-772-30	SCREW +B 2X6	
#2	7-685-792-09	SCREW +PTT 2.6X6 (S)	
#3	7-685-794-09	SCREW +PTT 2.6X10 (S)	
#4	7-621-255-15	SCREW +P 2X3	
#5	7-685-105-19	SCREW +P 2X8 TYPE2 NON-SLIT	
#6	7-624-104-04	STOP RING 2.0, TYPE -E	
#7	7-627-553-17	SCREW, PRECISION +P 2X2 TYPE 3	

XR-C8100/C8100R

Ref. No.	Part No.	Description	Remark
PARTS FOR INSTALLATION AND CONNECTIONS			

151	3-009-613-21	FRAME	
152	3-386-828-01	SCREW, FITTING	
153	3-349-410-01	BUSHING	
154	X-3366-405-1	SCREW ASSY (EXP), FITTING	
155	3-934-325-01	SCREW, +K (5X8) TAPPING	
156	3-022-310-01	COLLAR	
157	7-682-560-04	SCREW +P 4X6	
158	3-934-787-01	SPRING, FITTING	
159	X-3373-432-1	BRACKET ASSY (RM-X4S)	
160	1-776-207-71	CORD (WITH CONNECTOR) (POWER) (C8100)	
161	1-775-543-11	CORD, GROUND	
162	1-465-459-21	ADAPTOR, ANTENNA (C8100R)	
163	1-776-527-71	CORD (WITH CONNECTOR) (ISO) (POWER)	(C8100R)



Free Manuals Download Website

<http://myh66.com>

<http://usermanuals.us>

<http://www.somanuals.com>

<http://www.4manuals.cc>

<http://www.manual-lib.com>

<http://www.404manual.com>

<http://www.luxmanual.com>

<http://aubethermostatmanual.com>

Golf course search by state

<http://golfingnear.com>

Email search by domain

<http://emailbydomain.com>

Auto manuals search

<http://auto.somanuals.com>

TV manuals search

<http://tv.somanuals.com>