

## LMD-150S

Sony introduces the LMD-150S, a new 4:3 15-inch<sup>\*1</sup> LCD panel that enhances the exciting LUMA™ Series of two-piece LCD monitors.

The LMD-150S is used in combination with its associated signal-processing unit<sup>\*2</sup> (the Multiformat Engine Unit), accepting a variety of signal formats ranging from SD to HD video, analog and digital, as well as analog computer signals. The Multiformat Engine Unit incorporates Sony's advanced X-Algorithm<sup>\*3</sup> I/P conversion technology - the central element that enables the LMD-150S monitor to reproduce extremely smooth images.

The LMD-150S monitor uses a multi-layer AR coating, which protects the face panel from scratches and minimizes reflections from ambient light.

Combined with the Multiformat Engine Unit, the LMD-150S is the optimum choice for applications that mainly use Standard Definition today, but that will require HD monitoring in the future.

<sup>\*1</sup> Viewable area measured diagonally.

<sup>\*2</sup> The LMD-150S must be used with the supplied Multiformat Engine Unit.

<sup>\*3</sup> X-Algorithm is used for 480/60i and 575/50i signal input only.



The Monitor Stand is optional.

## FEATURES

### Excellent Picture Reproduction

By nature, LCD panels operate in progressive mode, so displaying an interlace signal can be a difficult task. However, with the Sony LMD-150S, this concern is a thing of the past. The X-Algorithm processing used in the Multiformat Engine Unit, intelligently converts interlaced signals to progressive signals, using a highly sophisticated algorithm. The result is extremely smooth diagonal picture edges, which can be technically difficult to reproduce on conventional LCD monitors.

### Excellent Brightness and Contrast (High Clarity Panel using Multi-Layer AR Coating)

### Wide Viewing Angle of 170 degrees

### Input Versatility

The Multiformat Engine Unit can accept the following SD or HD video formats:

- NTSC and PAL
- Component 480/60i and 575/50i
- Progressive 480/60p and 576/50p
- High definition 1080/50i, 1080/60i, 720/60p, 1080/24PsF, and 1080/25PsF

In addition, the analog composite and component interfaces are offered as standard. Digital interfaces such as HD-SDI, SD-SDI, and DV are offered as optional boards.

### Operational Convenience

The LMD-150S monitor provides the convenient features for which Sony professional monitors are renowned, including:

- Advanced marker settings (Aspect Marker, Center Marker, and Safety Area)
- Color temperature/gamma selection
- Blue-only mode
- Three-color tally
- Protected controls
- H/V delay function
- Stereo audio monitoring
- Selectable scan size for video input and aspect ratio
- Mounting flexibility (19-inch EIA standard rack mounting<sup>\*4</sup> and VESA 75 x 75 mm spacings)

<sup>\*4</sup> Requires the optional MB-524 mounting bracket.

## OPTIONAL ACCESSORIES

BKM-220D  
BKM-243HS  
BKM-255DV  
SMF-600  
SU-558  
MB-524

SDI 4:2:2 Input Adaptor  
HD/SD-SDI Input Adaptor  
DV Input Adaptor  
Display IF Cable (10m)  
Monitor Stand  
Mounting Bracket

# SPECIFICATIONS

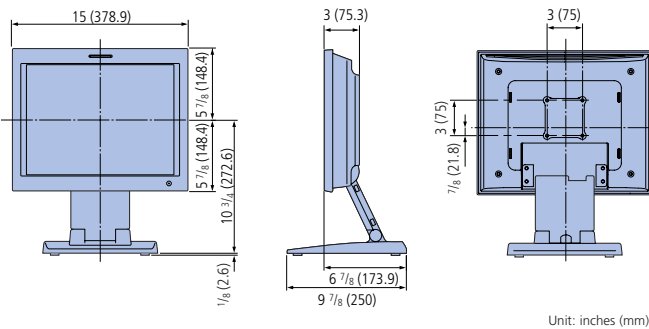
LMD-150		
<b>Picture Performance</b>		
Type	a-Si TFT Active Matrix LCD with a multi-layer AR-coated protection panel	
Resolution	1024 x 768 dots	
Pixel Efficiency	99.99%	
Dot Pitch	0.297 x 0.297 mm	
Picture Size (H x W)	Approx. 12 x 9 inches (304 x 228 mm)	
(Diagonal)	15-inch (380 mm)	
Aspect	4:3	
Colors	16,770,000 colours	
Viewing Angle	85°/85°/85°/85° (typical) (up/down/left/right contrast>10:1)	
<b>Input</b>		
Display Input Connector		
Digital Input	DVI-D	
Dot Clock	25.175 MHz	65.000 MHz
Scanning Frequency	Horizontal	31.469 kHz
	Vertical	59.941 Hz
<b>General</b>		
Power Consumption	Approx. 35 W	
Power Requirement	DC 16.5 V/12 V	
Operating Temperature	32 to 95 °F (0 to 35 °C)	
Operating Humidity	30 to 85% (no condensation)	
Storage & Transport Temperature	14 to 104 °F (-10 to 40 °C)	
Storage & Transport Humidity	0 to 90%	
Operating/Storage/Trans. Pressure	700 to 1060 hPa	
Dimensions (W x H x D)	15 x 11 2/3 x 2 3/4 inches* (379 x 297 x 70 mm*)	
Weight	Approx. 9 lb 11 oz (4.4 Kg) **	
	Approx. 21 lb 3 oz (9.6 Kg) ***	
Supplied Accessories	Display interface cable, Warranty card, Operating instructions	

\* without the optional monitor stand and not including the projection parts

\*\* without the optional SU-558 monitor stand.

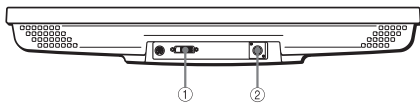
\*\*\* with the optional SU-558 monitor stand.

## DIMENSIONS



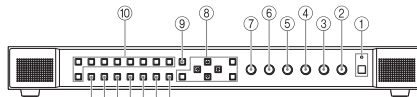
## CONNECTOR PANEL

LMD-150S Front Connector



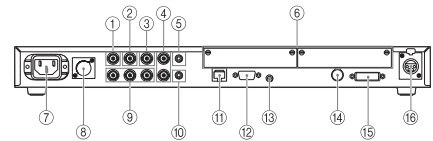
- ① DISPLAY SIGNAL IN
- ② DC IN jack

Multiformat Engine Unit Front Panel



- ① Power switch and indicator
- ② VOLUME
- ③ CONTRAST
- ④ PHASE
- ⑤ CHROMA
- ⑥ BRIGHT
- ⑦ APERTURE
- ⑧ Menu
- ⑨ EXT SYNC
- ⑩ Input select
- ⑪ APA (Auto Pixel Alignment)
- ⑫ SCAN
- ⑬ ASPECT
- ⑭ MARKER
- ⑮ BLUE ONLY
- ⑯ MONO
- ⑰ HV DELAY

Multiformat Engine Unit Rear Panel



- ① G/Y/COMPOSITE (BNC)
- ② B/Pb/S-Y (BNC)
- ③ R/Pr/S-C (BNC)
- ④ EXT SYNC IN/OUT (BNC)
- ⑤ AUDIO IN (stereo mini jack)
- ⑥ Optional input slot
- ⑦ AC IN
- ⑧ DC 12V IN (XLR)
- ⑨ Loop-through output (BNC)
- ⑩ AUDIO MONITOR OUT (stereo mini jack)
- ⑪ PARALLEL REMOTE (modular connector)
- ⑫ COMPUTER SIGNAL IN (D-sub 15 pin, female)
- ⑬ COMPUTER AUDIO (stereo mini jack)
- ⑭ Service terminal
- ⑮ DISPLAY SIGNAL OUT
- ⑯ DISPLAY DC OUT (XLR, female)

Multiformat Engine Unit-WX1	
<b>Input/Output</b>	
Input	
Composite	BNC, Loop through, automatic 75 Ω termination (x3)
Y/C	1.0 Vp-p ±3 dB, sync negative
	S-Y: 1.0 Vp-p ±3 dB, sync negative
	S-C: 0.286 Vp-p ±3 dB (NTSC), 0.3 Vp-p ±3 dB (PAL)
Component	Y, PB, PR: 0.7 Vp-p ±3 dB
RGB	G: 0.7 Vp-p ±3 dB, Sync on G 0.3Vp-p
	B: 0.7 Vp-p ±3 dB
	R: 0.7 Vp-p ±3 dB
Audio In (for Video signals)	Stereo mini jack (x1)
	-5 dBu, more than 47 kΩ
OPTION A-1	Option Slot (x1)
OPTION A-2	
OPTION B-1	Option Slot (x1)
OPTION B-2	
Ext. Sync	BNC, Loop-through, automatic 75 Ω termination
	0.3 to 4 Vp-p ±3 dB, sync negative, usable tri-level sync signal 0.6 Vp-p ±3 dB
Computer	HD D-sub 15-pin (female) (x1)
	0.7 Vp-p, 75 Ω, positive (R,G,B)
Audio In (for computer signals)	Stereo mini jack (x1)
	-5 dBu, more than 47 kΩ
DC IN*	XLR 4-pin (male) (x1), 12 V, output impedance 0.05 Ω or less
Output	
Audio Monitor Out	Stereo mini jack (x1)
Speaker Out	Stereo (0.5 W + 0.5 W)
PARALLEL Remote	Modular 8-pin (Assignable)
Display Signal Out	Exclusive connector (x1)
Display DC Out	XLR 4-pin (female) (x1), DC 16.5 V (when AC power is supplied)
	DC 12 V (when DC power is supplied)
<b>Video</b>	
Horizontal Scanning Frequency	15 to 45 kHz
Frame Scanning Frequency	48 to 60 Hz
<b>Computer</b>	
Dot Clock	110 MHz
Horizontal Scanning Frequency	28 to 69 kHz
Vertical Scanning Frequency (frame)	60 to 85 Hz
Plug & Play	DDC-2B
<b>General</b>	
Power Consumption	Multiformat Engine Unit with LMD-150S: Approx. 58 W (without option boards)
	Multiformat Engine Unit only: Approx. 23 W (without option boards)
Power Requirement	AC 100 to 240 V±10%, 50/60 Hz, DC 12 V
Operating Temperature	32 to 95 °F (0 to 35 °C)
Operating Humidity	30 to 85% (no condensation)
Storage and Trans. Temperature	14 to 104 °F (-10 to 40 °C)
Storage & Transport Humidity	0 to 90%
Operating/Storage/Trans. Pressure	700 to 1060 hPa
Dimensions (W x H x D)	17 1/8 x 1 3/4 x 12 1/8 inches (434 x 44 x 305 mm) excluding protrusions
Weight	Approx. 9 lb 15 oz (4.5 Kg)**
Supplied Accessories	AC cord, AC plug holder, Mounting bracket, Operating instructions, CD-ROM, Warranty card

\*This connector is used to supply external DC power to the LMD-150S via the Multiformat Engine Unit.

\*\*Excluding supplied accessories.

# SONY®

Sony Electronics Inc.  
1 Sony Drive  
Park Ridge, NJ 07656  
www.sony.com/LUMA

©2004 Sony Corporation. All rights reserved.  
Reproduction in whole or in part without permission is prohibited.  
Features and specifications are subject to change without notice.  
All non-metric weights and measurements are approximate.  
Images on monitors are simulated.  
Sony and LUMA are trademarks of Sony.

## Free Manuals Download Website

<http://myh66.com>

<http://usermanuals.us>

<http://www.somanuals.com>

<http://www.4manuals.cc>

<http://www.manual-lib.com>

<http://www.404manual.com>

<http://www.luxmanual.com>

<http://aubethermostatmanual.com>

Golf course search by state

<http://golfingnear.com>

Email search by domain

<http://emailbydomain.com>

Auto manuals search

<http://auto.somanuals.com>

TV manuals search

<http://tv.somanuals.com>