

CD Radio Cassette-Corder

Operating Instructions page 2^{EN}

EN

Manual de instrucciones página 2^{ES}

ES

*CFD-V25
CFD-V34
CFD-V34L
CFD-V37
CFD-V37L
CFD-930L*

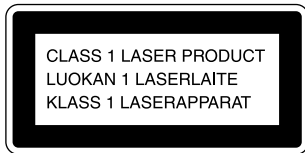
Warning

To prevent fire or shock hazard, do not expose the player to rain or moisture.

To avoid electrical shock, do not open the cabinet. Refer servicing to qualified personnel only.

Information

For customers in Europe



This Compact Disc player is classified as a CLASS 1 LASER product.

The CLASS 1 LASER PRODUCT label is located on the bottom exterior.

WARNING

Do not install the appliance in a confined space, such as a bookcase or built-in cabinet.

About this manual

The instructions in this manual are for the CFD-V25, CFD-V34, CFD-V34L, CFD-V37, CFD-V37L and CFD-930L. Before you start reading, check your model number. The CFD-V34L is the model used for illustration purpose.

Note

The name of the switch to turn on/off this player is indicated as below:

“OPERATE”: CFD-V34L/V37L/930L

“POWER”: CFD-V25/V34/V37

Notice for customers in the United Kingdom

A moulded plug complying with BS 1363 is fitted to this equipment for your safety and convenience.

Should the fuse in the plug supplied need to be replaced, same rating fuse approved by ASTA or BSI to BS 1362, (i.e. marked with ⚡ or ⚡ mark) must be used.

If the plug supplied with this equipment has a detachable fuse cover, be sure to attach the fuse cover after you change the fuse. Never use the plug without the fuse cover. If you should lose the fuse cover, please contact your nearest Sony service station.

Table of contents

Basic Operations

- 4 Playing a CD
 - 6 Listening to the radio
 - 8 Playing a tape
 - 10 Recording on a tape
-

The CD Player

- 12 Using the display
- 13 Locating a specific track
- 14 Playing tracks repeatedly (Repeat Play)
- 15 Playing tracks in random order (Shuffle Play)
- 16 Creating your own program (Program Play)

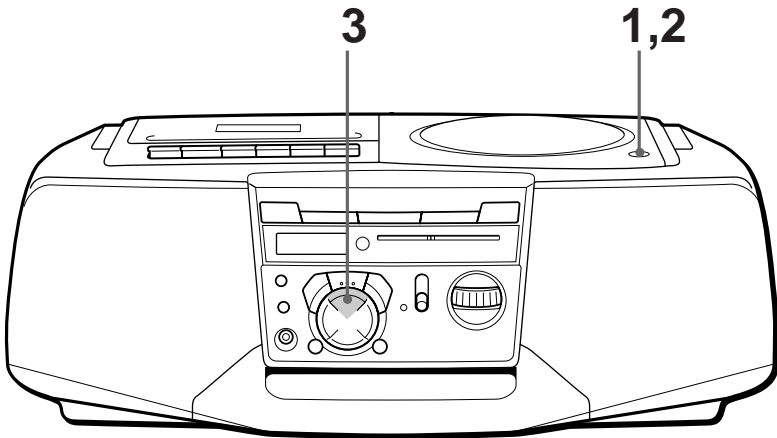
Setting Up

- 18 Choosing the power sources
- 20 Adjusting the sound emphasis (TONE/MEGA BASS)

Additional Information

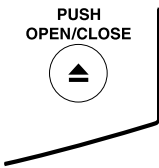
- 21 Precautions
- 23 Troubleshooting
- 25 Maintenance
- 26 Specifications
- 28 Index

Playing a CD

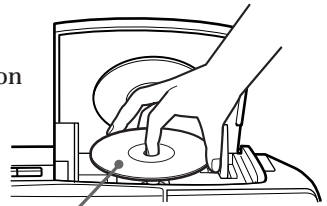


Connect the supplied AC power cord (see page 18).

1

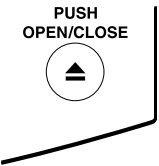


Press ▲ PUSH OPEN/CLOSE down to open the CD compartment and place a CD on the CD compartment.

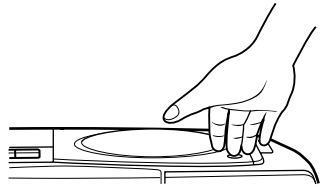


With the label side up

2



Close the CD compartment.



3



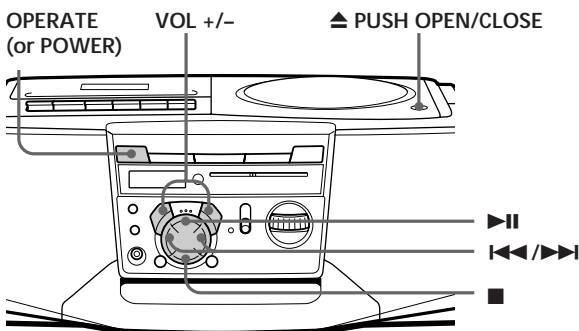
Press ►|| (direct power-on).
The player plays all the tracks once.

Display



Track number Playing time

Use these buttons for additional operations

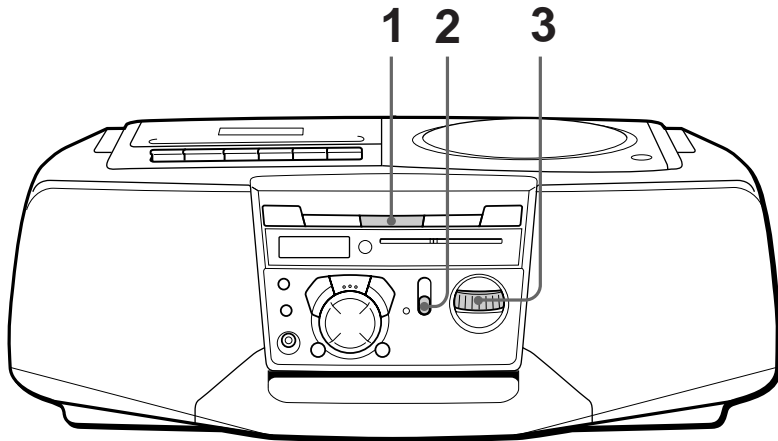


Tip

Next time you want to listen to a CD, just press ►||. The player turns on automatically and starts playing the CD.

To	Press
Adjust the volume	VOL +/-
Stop playback	■
Pause playback	► Press again to resume play after pause.
Go to the next track	►►
Go back to the previous track	◄◄
Remove the CD	▲ PUSH OPEN/CLOSE
Turn on/off the player	OPERATE (or POWER, see page 2)

Listening to the radio



Connect the supplied AC power cord (see page 18).

1

CFD-V25/V34/V37

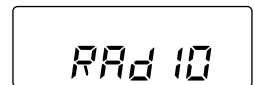


CFD-V34L/V37L/930L

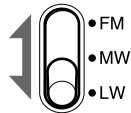


CFD-V25/V34/V37: Press FM or AM (direct power-on).
CFD-V34L/V37L/930L: Press RADIO (direct power-on).

Display

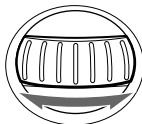


2



CFD-V34L/V37L/930L only: Select the band.

3

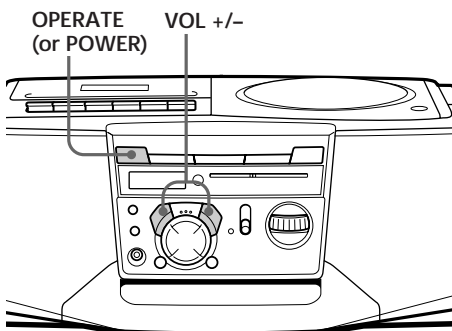


TUNING

Turn TUNING to tune in a radio station.

If the received FM stereo is too weak, the reception becomes monaural.

Use these buttons for additional operations

**Tip**

CFD-V34L/V37L/930L only:

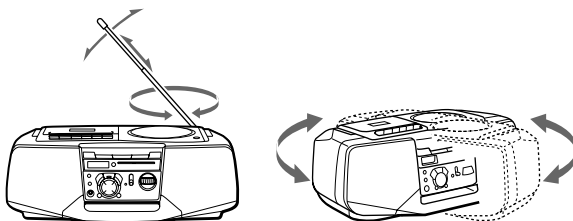
To receive an FM stereo program

Set the FM MODE selector at the rear to STEREO. If the FM broadcast is noisy, set the selector to MONO and the radio will play in monaural.

To	Press
Adjust the volume	VOL +/-
Turn on/off the radio	OPERATE (or POWER, see page 2)

To improve broadcast reception

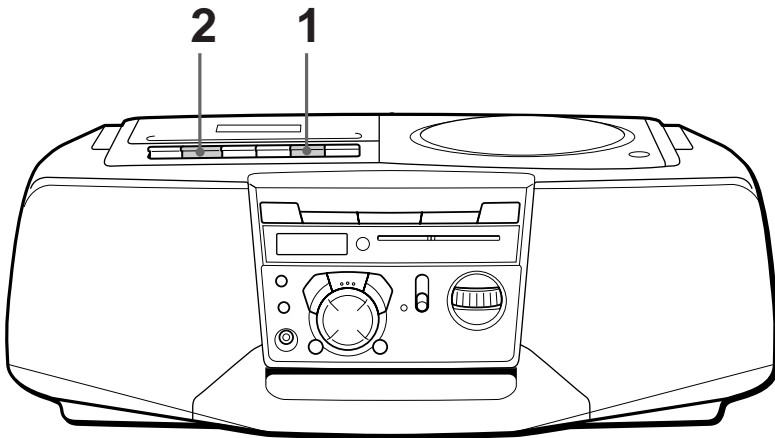
Reorient the antenna for FM. Reorient the player itself for AM/MW/LW.



For FM

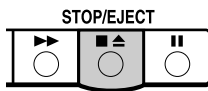
For AM/MW/LW

Playing a tape

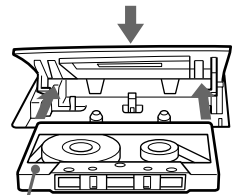


Connect the supplied AC power cord (see page 18).

1

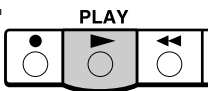


Press ■▲ to open the tape compartment and insert a recorded tape. Use TYPE I (normal) tape only. Close the compartment.



With the side you want to play facing upward

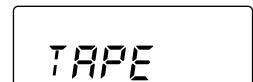
2



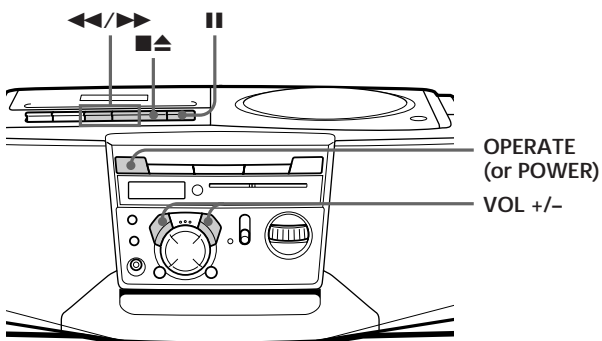
Press ▶.

The player turns on (direct power-on) and starts playing.

Display



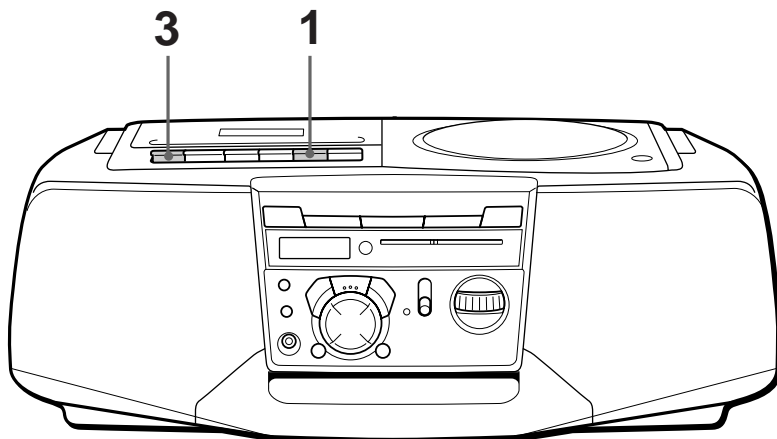
Use these buttons for additional operations

**Tip**

Next time you want to listen to a tape, just press ►. The player turns on automatically and starts playing the tape.

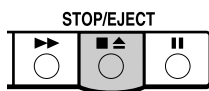
To	Press
Adjust the volume	VOL +/-
Stop playback	■▲
Fast-forward or rewind the tape	▶▶ or ◀◀
Pause playback	 Press the button again to resume play after pause.
Eject the cassette	■▲
Turn on/off the player	OPERATE (or POWER, see page 2)

Recording on a tape

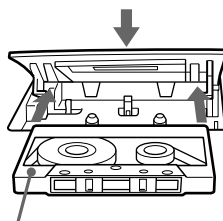


Connect the supplied AC power cord (see page 18).

1



Press to open the tape compartment and insert a blank tape. Use TYPE I (normal) tape only.



With the side you want to record on facing upward

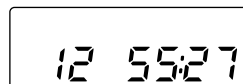
2

Select the program source you want to record.



To record from the CD player, press CD and insert a CD (see page 4).

Display



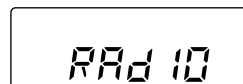
CFD-V25/V34/V37



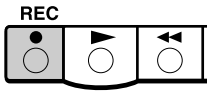
CFD-V34L/V37L/930L



To record from the radio, press FM or AM (CFD-V25/V34/V37) or RADIO (CFD-V34L/V37L/930L) and tune in the station you want (see page 6).

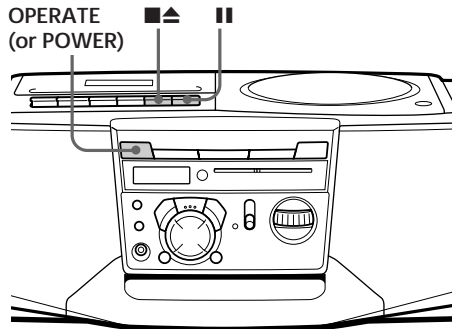


3



Press ● to start recording. (▶ is depressed automatically).

Use these buttons for additional operations



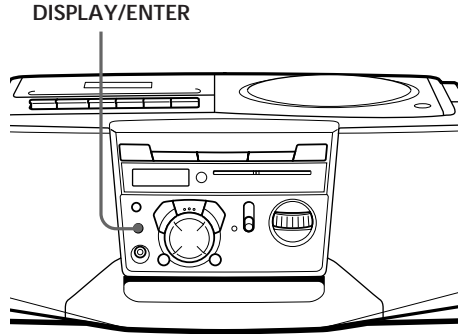
Tips

- Adjusting the volume or the audio emphasis (page 20) will not affect the recording level.
- *CFD-V34L/V37L/930L only:*
If the MW/LW program makes a whistling sound after you've pressed ● in step 3, press PLAY MODE/ISS (Interference Suppress Switch) repeatedly until the noise is at a minimum.
- For the best results, use the AC power as a power source for recording.
- To erase a recording, proceed as follows:
 - 1 Press TAPE until "TAPE" appears in the display. Insert the tape whose recording you want to erase into the tape compartment.
 - 2 Press ●.

To	Press
Stop recording	■▲
Pause recording	 Press the button again to resume recording.
Turn on/off the power	OPERATE (or POWER, see page 2)

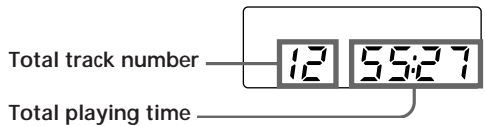
Using the display

You can check information about the CD using the display.



Checking the total track number and playing time

Check the display in stop mode.



Checking the remaining time

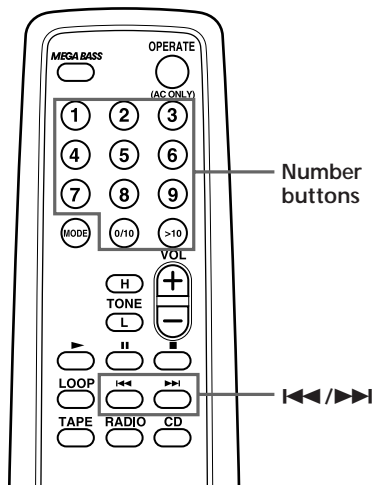
Press DISPLAY/ENTER while playing a CD.

To display	Press DISPLAY/ENTER
Remaining time on the current track*	Once
Remaining time on the CD and the number of tracks left	Twice
Playing time and the current track number	Three times

* For a track whose number is more than 20, the remaining time appears as “- :-” in the display.

Locating a specific track

You can quickly locate any track using the number buttons. You can also find a specific point in a track while playing a CD.



Note

You cannot locate a specific track if "SHUF" or "PGM" is lit in the display. Turn off the indication by pressing ■.

Tip

When you locate a track numbered over 10, press >10 first, then the corresponding number buttons.

Example:

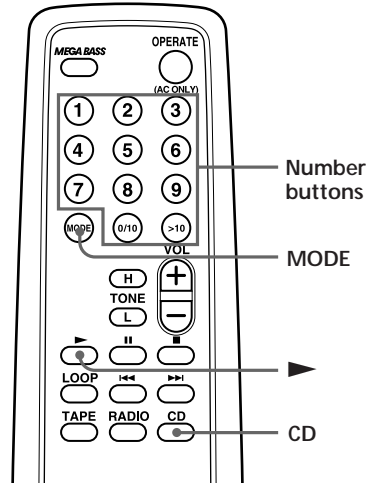
To play track number 23, press >10 first, then 2 and 3.

To locate	Press
a specific track directly	a number button of the track.
a point while listening to the sound	▶▶ (forward) or ◀◀ (backward) while playing and hold down until you find the point.
a point while observing the display	▶▶ (forward) or ◀◀ (backward) in pause and hold down until you find the point.

Playing tracks repeatedly

(Repeat Play)

You can play tracks repeatedly in normal, shuffle or program play modes (see page 16).



Tip

To enjoy a short repeat play, use LOOP. As soon as you press and hold LOOP during play, the player starts a loop play of the part between the point where you pressed LOOP and a point about a second behind. When you release LOOP, the player returns to normal play.

- 1 Press CD.
- 2 Press MODE (PLAY MODE on the player) repeatedly until the repeat mode you want appears in the display.

To repeat	Select
a single track	"REP 1"
all tracks	"REP ALL"
tracks in random order	"SHUF" "REP"
programed tracks	"PGM" "REP"

- 3 Do either of the following to start repeat play:
 - When you've selected "REP 1", select the track by pressing the number button (pressing ◀◀ then ▶▶ then ▶◻ on the player).
 - When you've selected "REP ALL" and "SHUF" "REP", press ▶ (▶◻ on the player).
 - When you've selected "PGM" "REP", program tracks (see step 3 on page 16), then press ▶ (▶◻ on the player).

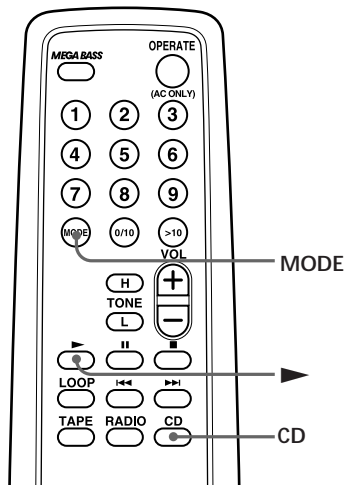
To cancel Repeat Play

Press MODE until "REP" disappears from the display.

Playing tracks in random order

(Shuffle Play)

You can play tracks in random order.



On the player

- 1 Press CD.
- 2 Press PLAY MODE repeatedly until "SHUF" appears in the display.
- 3 Press ▶.

- 1 Press CD.
- 2 Press MODE repeatedly until "SHUF" appears in the display.
- 3 Press ▶ to start shuffle play.

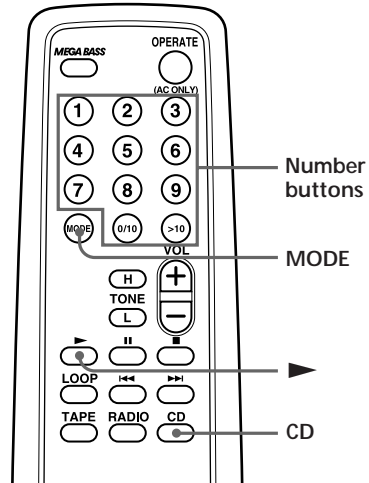
To cancel Shuffle Play

Press MODE until "SHUF" disappears from the display.

Creating your own program

(Program Play)

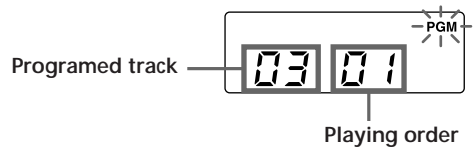
You can arrange the playing order of up to 20 tracks on a CD.



On the player

- 1 Press CD.
- 2 Press PLAY MODE until "PGM" appears in the display.
- 3 Press the ◀◀ or ▶▶ then press DISPLAY/ENTER for the tracks you want to program in the order you want.
- 4 Press ▶▶.

- 1 Press CD.
- 2 Press MODE until "PGM" appears in the display.
- 3 Press the number buttons on the remote for the tracks you want to program in the order you want. You can program up to 20 tracks.



- 4 Press ▶▶ to start program play.

Tips

- You can play the same program again, since the program is saved until you turn off the power or open the CD compartment.
- The current program will be erased if you open the CD compartment.
- You can record your own program. After you've created the program, insert a blank tape and press ● to start recording.

To cancel Program Play

Press MODE until "PGM" disappears from the display.

To check the order of tracks before play

Press DISPLAY/ENTER.

Every time you press the button, the track number appears in the programmed order.

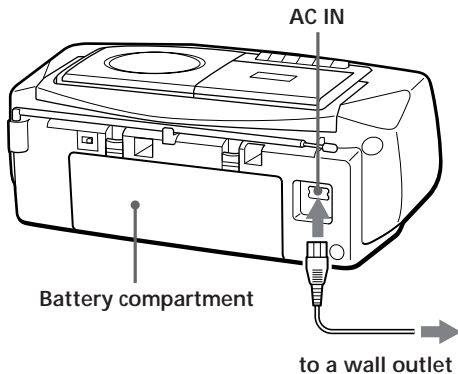
To change the current program

Press ■ once if the CD is stopped and twice if the CD is playing. The current program will be erased. Then create a new program following the programming procedure.

Choosing the power sources

You can use the AC power or batteries as a power source.

Use the AC power source whenever you record since recording consumes much power.



Tip

Only for the customers supplied with an AC plug adaptor:

Use the supplied AC plug adaptor if the plug of the AC power cord does not match your outlet.

Note

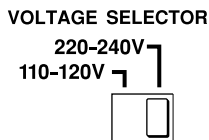
When you operate the player with the batteries, you cannot turn on the player using the remote.

Connecting the AC power cord

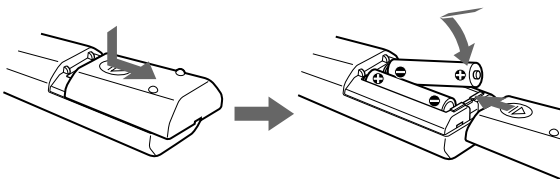
Insert one end of the supplied AC power cord to the AC IN socket located at the rear of the player, and the other end to the wall outlet.

Adjusting the voltage (CFD-V25/V34/V37 only)

Be sure to set the VOLTAGE SELECTOR (at the bottom) to your local power supply.



Inserting batteries into the remote



Insert two R6 (size AA) batteries (not supplied)

Replacing batteries

With normal use, the batteries should last for about six months. When the remote no longer operates the player, replace all the batteries with new ones.

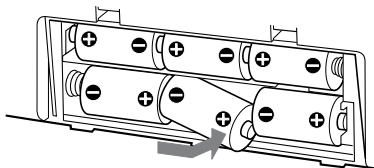
Tip

Replace the batteries when the OPR/BATT indicator dims or when the player stops operating. Replace all the batteries with new ones. Before you replace the batteries, be sure to take out the CD from the player.

Using the player on batteries

Insert six R20 (size D) batteries (not supplied) into the battery compartment.

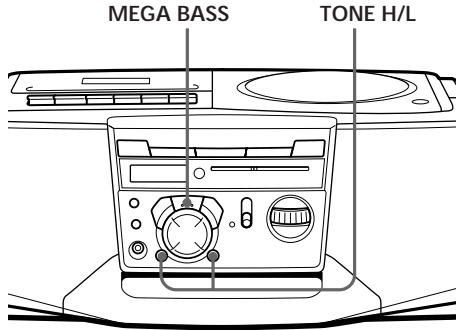
To use the player on batteries, disconnect the AC power cord from the player.



Adjusting the sound emphasis

(TONE/MEGA BASS)

You can adjust the audio emphasis of the sound you are listening to.



Adjusting the tone

Press TONE H or L.

Press TONE H to enhance the high tone and TONE L to enhance the low tone.

Reinforcing the bass sound

Press MEGA BASS.

To return to normal sound, press the button again.

Precautions

On safety

- As the laser beam used in the CD player section is harmful to the eyes, do not attempt to disassemble the casing. Refer servicing to qualified personnel only.
- Should any solid object or liquid fall into the player, unplug the player, and have it checked by qualified personnel before operating it any further.

On power sources

- For AC operation, check that the player's operating voltage is identical with your local power supply (see "Specifications") and use the supplied AC power cord; do not use any other type. The voltage selector is located at the bottom of the player (CFD-V25/V34/V37 only).
- The player is not disconnected from the AC power source (mains) as long as it is connected to the wall outlet, even if the player itself has been turned off.
- For battery operation, use six R20 (size D) batteries.
- When the batteries are not to be used, remove them to avoid damage that can be caused by battery leakage or corrosion.
- The nameplate indicating operating voltage, power consumption, etc. is located at the bottom.

On placement

- Do not leave the player in a location near heat sources, or in a place subject to direct sunlight, excessive dust or mechanical shock.
- Do not place the player on an inclined or unstable place.
- Do not place anything within 10 mm of the side of the cabinet. The ventilation holes must be unobstructed for the player to operate properly and prolong the life of its components.
- If the player is left in a car parked in the sun, be sure to choose a location in the car where the player will not be subjected to the direct rays of the sun.
- Since a strong magnet is used for the speakers, keep personal credit cards using magnetic coding or spring-wound watches away from the player to prevent possible damage from the magnet.

On operation

- If the player is brought directly from a cold to a warm location, or is placed in a very damp room, moisture may condense on the lenses inside the CD player section. Should this occur, the player will not operate properly. In this case, remove the CD and wait about an hour for the moisture to evaporate.
- If the player has not been used for a long time, set it in the playback mode to warm it up for a few minutes before inserting a cassette.

If you have any questions or problems concerning your player, please consult your nearest Sony dealer.

continued

Precautions (continued)

Notes on CDs

- Before playing, clean the CD with a cleaning cloth. Wipe the CD from the center out.

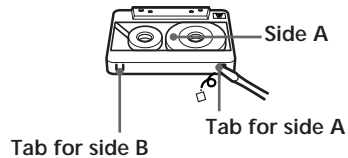


- Do not use solvents such as benzine, thinner, commercially available cleaners or anti-static spray intended for vinyl LPs.
- Do not expose the CD to direct sunlight or heat sources such as hot air ducts, nor leave it in a car parked in direct sunlight as there can be a considerable rise in temperature inside the car.
- Do not stick paper or sticker on the CD, nor scratch the surface of the CD.
- After playing, store the CD in its case.

If there is a scratch, dirt or fingerprints on the CD, it may cause tracking error.

Notes on cassettes

- Break off the cassette tab from side A or B to prevent accidental recording. If you want to reuse the tape for recording, cover the broken tab with adhesive tape.



- The use of a cassette with more than 90 minutes of play time is not recommended except for long, continuous recording or playback.

Troubleshooting

	Symptom	Remedy
General	The power is not on.	<ul style="list-style-type: none"> • Connect the AC power cord to a wall outlet securely. • Make sure the batteries are inserted correctly. • Replace all the batteries with new ones if they are weak. • You cannot turn on the player with the remote when you operate the player on batteries.
	There is no audio.	<ul style="list-style-type: none"> • Make sure the function you want to use appears in the display window. • Adjust the volume. • Unplug the headphones when listening through speakers.
CD Player	The CD does not play/“no disc” lights in the display even when a CD is in place.	<ul style="list-style-type: none"> • Make sure that the CD compartment is closed. • Place the CD with the label surface up. • Clean the CD. • Take out the CD and leave the CD compartment open for about an hour to dry moisture condensation. • Make sure “Cd” appears in the display.
	The sound drops out.	<ul style="list-style-type: none"> • Reduce the volume. • Clean the CD, or replace it if the CD is badly damaged • Place the player in a location free from vibration.
Radio	The audio is weak or has poor quality.	<ul style="list-style-type: none"> • Replace all the batteries with new ones if they are weak. • Move the player away from the TV. • If you are using the remote while listening to AM or MW/LW radio, noise may be heard. This is unavoidable.
	The picture of your TV becomes unstable.	<ul style="list-style-type: none"> • If you are listening to an FM program near the TV with an indoor antenna, move the player away from the TV.

continued

Troubleshooting (continued)

	Symptom	Remedy
Tape Player	The tape does not move when you press an operation button.	<ul style="list-style-type: none"> • Close the cassette compartment securely.
	The REC ● button does not function/The tape does not play.	<ul style="list-style-type: none"> • Make sure the safety tab on the cassette is in place. • Make sure "TAPE" appears in the display.
	The tape does not erase completely.	<ul style="list-style-type: none"> • Clean the erasing head (see page 25). • Replace all the batteries with new ones if they are weak.
	The tape does not record.	<ul style="list-style-type: none"> • Make sure the tape is inserted properly. • Make sure the safety tab of the cassette is in place.
	The audio is weak/The audio quality is poor.	<ul style="list-style-type: none"> • Clean the heads, pinch roller and capstan (see page 25). • Demagnetize the heads using a demagnetizer (see page 25).
	The sound is distorted.	<ul style="list-style-type: none"> • The TYPE II (high position) or TYPE IV (metal) tape is being used. Use TYPE I (normal) tape only.
Remote	The remote does not function.	<ul style="list-style-type: none"> • Replace all the batteries in the remote with new ones if they are weak. • Make sure that you are pointing the remote at the remote sensor on the player. • Remove any obstacles in the path of the remote and the player. • Make sure the remote sensor is not exposed to strong light such as direct sunlight or fluorescent lamp light. • Move closer to the player when using the remote.

After trying the above remedies, if you still have problems, unplug the AC power cord and remove all the batteries. After all the indications in the display disappear, plug the power cord and insert the batteries again. If the problem persists, please consult your nearest Sony dealer.

Maintenance

Cleaning the lens

If the lens becomes dirty, it may cause a skipping of sound during CD operation. Clean with a commercially available blower.

Cleaning the tape heads and tape path

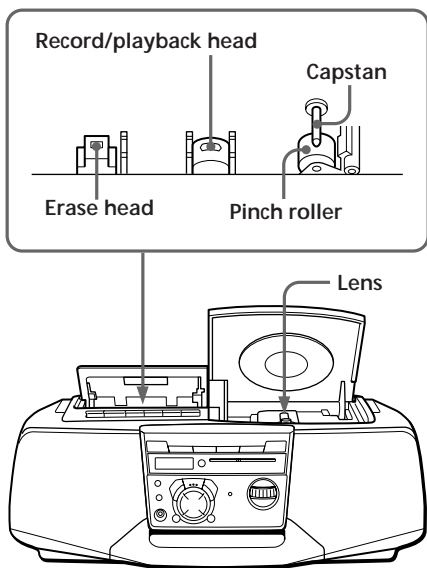
Wipe the heads, the pinch roller and the capstan with a cleaning swab slightly moistened with cleaning fluid or alcohol after every 10 hours of operation for optimum playback and recording quality. To make the best possible recording, however, we recommend that you clean all surfaces over which tape travels before each recording.

Demagnetizing the tape heads

After 20 to 30 hours of use, enough residual magnetism will have built up on the tape heads to begin to cause loss of high frequency sound and hiss. At this time, you should demagnetize the heads and all metal parts in the tape path with a commercially available tape head demagnetizer.

Cleaning the cabinet

Clean the cabinet, panel and controls with a soft cloth slightly moistened with a mild detergent solution. Do not use any type of abrasive pad, scouring powder, or solvent, such as alcohol or benzine.



After cleaning, insert a tape when the areas cleaned are completely dry.

Specifications

CD player section

System

Compact disc digital audio system

Laser diode properties

Material: GaAlAs

Wave length: 780 nm

Emission duration: Continuous

Laser output: Less than 44.6 μ W

(This output is the value measured at a distance of about 200 mm from the objective lens surface on the optical pick-up block with 7 mm aperture.)

Spindle speed

200 r/min (rpm) to 500 r/min (rpm) (CLV)

Number of channels

2

Frequency response

20 - 20,000 Hz +1/-2 dB

Wow and flutter

Below measurable limit

Radio section

Frequency range

CFD-V34L/V37L/930L

FM	Italy	87.5 - 108 MHz
	Central and Eastern Europe	65 - 108 MHz
	Other countries	87.6 - 107 MHz

MW	Italy	526.5 - 1606.5 kHz
	Other countries	531 - 1,602 kHz

LW	Italy	148.5 - 283.5 kHz
	Other countries	153 - 279 kHz

CFD-V25/V34/V37

FM	Saudi Arabia	87.6 - 107 MHz
	Tourist model	76 - 108 MHz
	Other models	87.6 - 108 MHz

AM	Tourist model	530 - 1,629 kHz
	Other models	530 - 1,605 kHz

IF

FM: 10.7 MHz

AM/MW/LW: 455kHz

Aerials

FM: Telescopic aerial

AM/MW/LW: Built-in ferrite bar aerial

Cassette-corder section

Recording system

4-track 2 channel stereo

Fast winding time

Approx. 120 s (sec.) with Sony cassette C-60

Frequency response

TYPE I (normal): 70 - 10,000 Hz

General

Speaker

Full range: 10 cm dia., 3.2 ohms, cone type (2)

Outputs

Headphones jack (stereo minijack)

For 16 - 64 ohms impedance headphones

Maximum power output

2.5 W + 2.5 W

Power requirements

For CD radio cassette-corder:

CFD-V34L/V37L/930L

230 V AC, 50 Hz

CFD-V25/V34/V37

110 - 120, 220 - 240 V AC selectable, 50/60 Hz

9 V DC, 6 R20 (size D) batteries

For remote controller :

3 V DC, 2 R6 (size AA) batteries

Power consumption

AC 20 W

Battery life

For CD radio cassette-corder:

FM recording

Sony R20P: approx. 13.5 h

Sony alkaline LR20: approx. 19 h

Tape playback

Sony R20P: approx. 7.5 h

Sony alkaline LR20: approx. 15 h

CD playback

Sony R20P: approx. 2.5 h

Sony alkaline LR20: approx. 6 h

Dimensions

Approx. 425 × 160 × 246 mm (w/h/d)
(16 3/4 × 6 3/8 × 9 3/4 inches) (incl. projecting parts)

Mass

Approx. 4.2 kg (9 lb. 4 oz) (incl. batteries)

Supplied accessory

AC power cord (1)
Remote controller (1)

Design and specifications are subject to change without notice.

Optional accessories

Sony MDR headphone series

Index

A

Adjusting
 sound emphasis 20
 tone 20

B

Batteries
 for player 19
 for remote 18

C

CD player 12
Choosing power sources 18
Cleaning
 cabinet 25
 lens 25
 tape heads and tape path
 25
Creating your own
program 16

D, E, F, G, H

Demagnetizing the tape
heads 25
Display 12

I, J, K

Improving broadcast
reception 7

L

Listening to the radio 6
Locating a specific track 13
Loop 14

M, N, O

MEGA BASS 20

P, Q

Playing
 a CD 4
 a tape 8
 tracks repeatedly 14
Power sources 18
Program Play 16

R

Recording on a tape 10
Repeat Play 14

S

Selecting tracks 5
Setting up 18
Sound emphasis 20

T

TONE 20
Troubleshooting 23

U

Using the display 12

V, W, X, Y, Z

Voltage selector 18

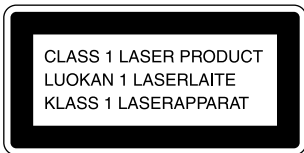
ADVERTENCIA

Para evitar incendios o el riesgo de electrocución, no exponga el reproductor a la lluvia ni a la humedad.

Para evitar descargas eléctricas, no abra el sistema. En caso de avería, solicite sólo los servicios de personal especializado.

Información

Para usuarios en Europa



Este reproductor de discos compactos está clasificado como producto láserico de clase 1. La etiqueta CLASS 1 LASER PRODUCT se encuentra en la parte inferior exterior.

ADVERTENCIA

No instale el aparato en un espacio cerrado, como una estantería para libros o un armario empotrado.

Acerca de este maunal

Las instrucciones de este manual hacen referencia a los modelos CFD-V25, CFD-V34, CFD-V34L, CFD-V37, CFD-V37L y CFD-930L. Antes de comenzar a leerlas, compruebe el número de modelo. Se ha utilizado el modelo CFD-V34L para las ilustraciones.

Nota

El nombre del interruptor para encender y apagar este reproductor se indica de la siguiente forma:

“OPERATE”: CFD-V34L/V37L/930L

“POWER”: CFD-V25/V34/V37

Indice

Procedimientos básicos

- 4 Reproducción de un CD
 - 6 Radiorecepción
 - 8 Reproducción de cintas
 - 10 Grabación en una cinta
-

Reproductor de discos compactos (CD)

- 12 Utilización del visualizador
- 13 Localización de una canción específica
- 14 Reproducción repetida de las canciones (Reproducción repetida)
- 15 Reproducción de temas en orden aleatorio (Reproducción aleatoria)
- 16 Creación de su propio programa (Reproducción programada)

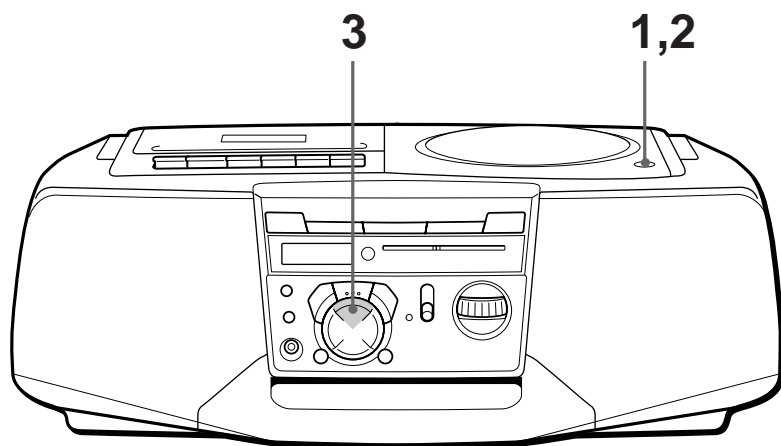
Preparativos

- 18 Selección de la fuente de alimentación
- 20 Selección del énfasis de audio (TONE/MEGA BASS)

Información complementaria

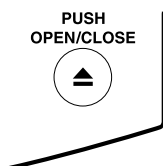
- 21 Precauciones
 - 23 Solución de problemas
 - 25 Mantenimiento
 - 26 Especificaciones
- Contraportada
Índice alfabético

Reproducción de un CD



Conecte el cable de alimentación de CA suministrado (consulte la página 18).

1

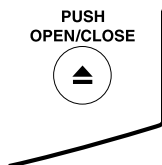


Presione ▲ PUSH OPEN/CLOSE para abrir el compartimiento del disco y coloque el CD.

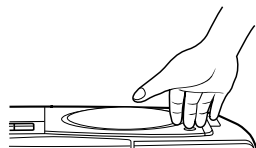


Con la superficie de la etiqueta hacia arriba

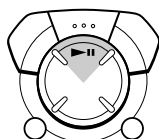
2



Cierre la tapa del compartimiento del disco.



3



Presione ►|| (activación directa). El reproductor reproduce todas las canciones una vez.

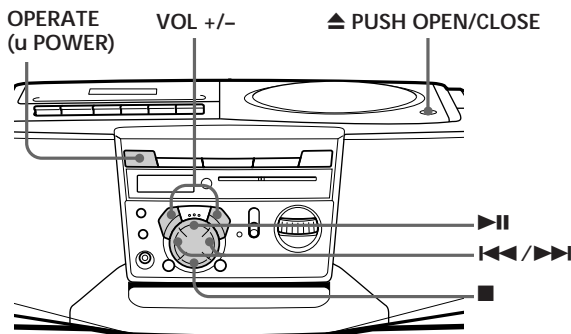
Visualizador



Número de canción

Tiempo de reproducción

Utilice estas teclas para realizar procedimientos adicionales

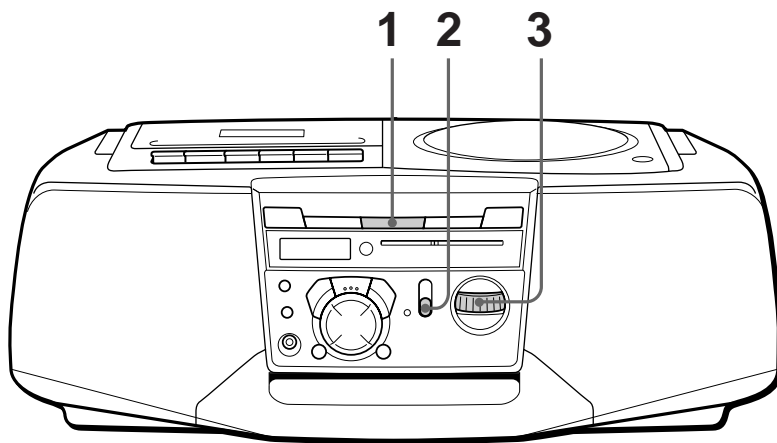


Consejo

La próxima vez que desee escuchar un CD, basta con presionar ►||. El reproductor se enciende automáticamente e inicia la reproducción del CD.

Para	Presione
Ajustar el volumen	VOL +/-
Cesar la reproducción	■
Realizar una pausa	► Vuelva a presionar para reanudar la reproducción después de la pausa.
Pasar a la siguiente canción	►►
Retroceder a la canción anterior	◄◄
Extraer el disco	▲ PUSH OPEN/CLOSE
Encender/apagar el reproductor	OPERATE (u POWER, consulte la página 2)

Radiorecepción



Conecte el cable de alimentación de CA suministrado (consulte la página 18).

1

CFD-V25/V34/V37



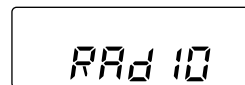
CFD-V34L/V37L/930L



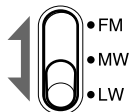
CFD-V25/V34/V37: Presione FM o AM (encendido directo).

CFD-V34L/V37L/930L: Presione RADIO (encendido directo).

Visualizador

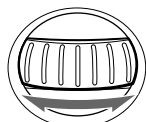


2



Sólo CFD-V34L/V37L/930L:
Seleccione la banda.

3

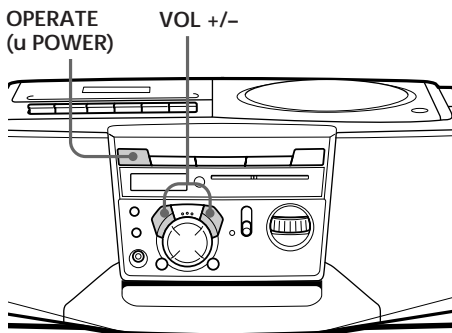


TUNING

Gire TUNING para sintonizar una emisora de radio.

Si las señales de estéreo FM recibidas son demasiado débiles, se pasa a la recepción monofónica.

Utilice estas teclas para realizar procedimientos adicionales



Consejo

Sólo CFD-V34L/V37L/930L:

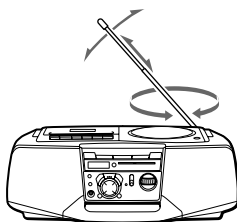
Para recibir un programa de FM en estéreo

Ajuste el selector FM MODE de la parte posterior en STEREO. Si la emisión de FM presenta ruido, ajuste el selector en MONO (la recepción de la emisión será monofónica).

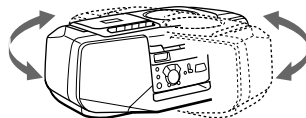
Para	Presione
Ajustar el volumen	VOL +/-
Encender/apagar la radio	OPERATE (u POWER, consulte la página 2)

Para mejorar la recepción de la radio

Reoriente la antena para FM y el reproductor para AM o MW/LW.

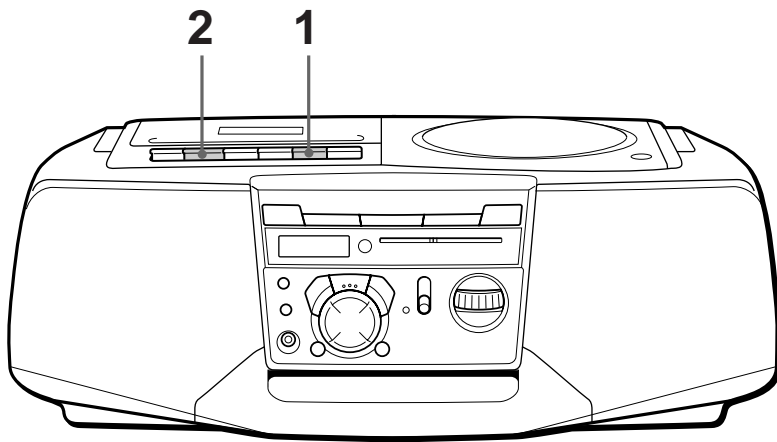


Para FM



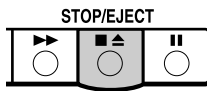
Para AM/MW/LW


Reproducción de cintas

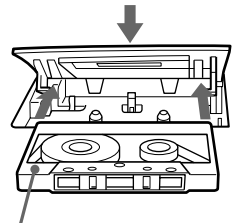


Conecte el cable de alimentación de CA suministrado (consulte la página 18).

1

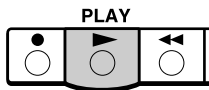


Presione  para abrir el compartimiento de la cinta e inserte una cinta grabada. Emplee sólo cintas TYPE I (normal). Cierre el compartimiento.



Con la cara que desea reproducir hacia arriba

2



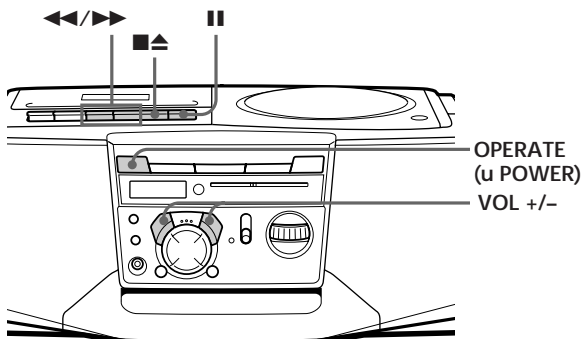
Presione .

El reproductor se enciende (activación directa) e inicia la reproducción.

Visualizador



Utilice estas teclas para realizar procedimientos adicionales

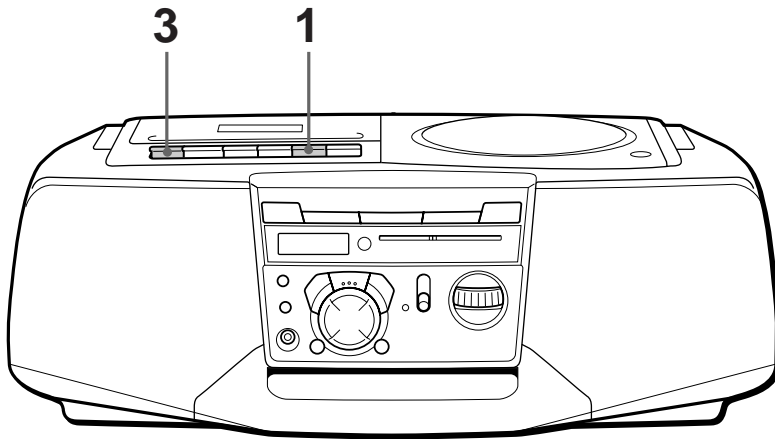


Consejo

La próxima vez que desee escuchar una cinta, basta con presionar ►. El reproductor se enciende automáticamente e inicia la reproducción de la cinta.

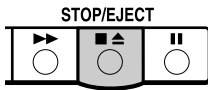
Para	Presione
Ajustar el volumen	VOL +/-
Cesar la reproducción	■▲
Avanzar rápidamente o rebobinar la cinta	▶▶ o ◀◀
Realizar una pausa	 Vuelva a presionar la tecla para reanudar la reproducción después de la pausa.
Extraer el cassette	■▲
Encender/apagar el reproductor	OPERATE (u POWER, consulte la página 2)



Grabación en una cinta

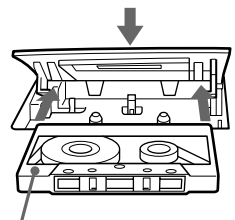


Conecte el cable de alimentación de CA suministrado (consulte la página 18).

1



Presione   para abrir el compartimiento de la cinta e inserte una cinta virgen. Emplee sólo cintas TYPE I (normal).



Con la cara que desea grabar hacia arriba

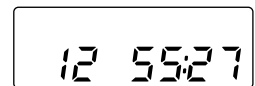
2

Seleccione la fuente de programa que desee grabar.



Para grabar desde el reproductor de CD, presione CD e inserte un CD (consulte la página 4).

Visualizador



CFD-V25/V34/V37



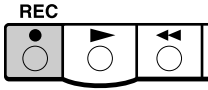
CFD-V34L/V37L/930L



Para grabar desde la radio, pulse FM o AM (CFD-V25/V34/V37) o RADIO (CFD-V34L/V37L/930L) y sintonice la emisora que desee (consulte la página 6).

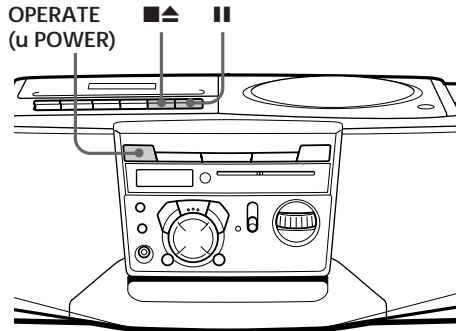


3



Presione ● para iniciar la grabación.
(▶ se presiona automáticamente.)

Utilice estas teclas para realizar operaciones adicionales



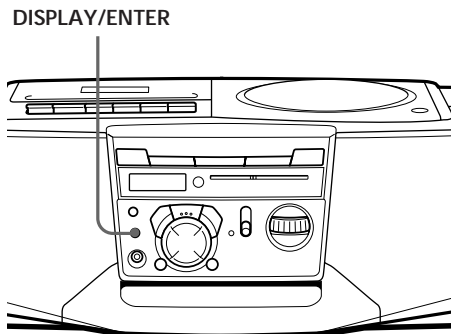
Consejos

- Los ajustes del volumen o del énfasis de sonido no afectarán al nivel de grabación (consulte la página 20).
- *Sólo CFD-V34L/V37L/930L:* Si el programa de MW/LW se recibe con un sonido silbante después de haber pulsado ● en el paso 3, pulse PLAY MODE/ISS (interruptor de supresión de interferencias) varias veces hasta que el ruido sea mínimo.
- Para obtener los mejores resultados posibles, emplee la fuente de alimentación de CA.
- Para borrar una grabación, realice lo siguiente:
 - 1 Presione TAPE hasta que la indicación "TAPE" aparezca en el visualizador. Inserte en el compartimiento la cinta cuya grabación desea borrar.
 - 2 Presione ●.

Para	Presione
Cesar la grabación	■▲
Realizar una pausa durante la grabación	 Vuelva a presionar la tecla para reanudar la grabación.
Encender/apagar el reproductor	OPERATE (o POWER, consulte la página 2)

Utilización del visualizador

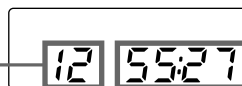
Puede comprobar la información sobre el disco en el visualizador.



Comprobación del número total de canciones y del tiempo de reproducción

Compruebe el visor en modo de parada.

Número total de canciones



Tiempo total de reproducción

Comprobación del tiempo restante

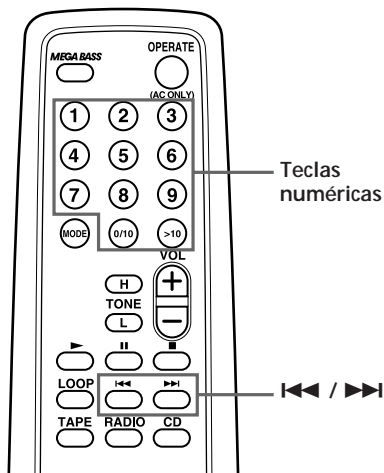
Presione DISPLAY/ENTER mientras reproduce un disco.

Para visualizar	Presione DISPLAY/ENTER
Tiempo restante de la canción actual*	Una vez
Tiempo y número de canciones del disco restantes	Dos veces
El número de canción actual y tiempo de reproducción	Tres veces

* Para las canciones de número superior a 20, el tiempo restante aparece en el visualizador con la forma “- -: -”.

Localización de una canción específica

Puede localizar rápidamente cualquier canción mediante las teclas numéricas, así como encontrar un punto específico de una canción mientras se reproduce el disco.



Nota

No es posible localizar una canción específica si el indicador "SHUF" o "PGM" del visualizador se encuentra encendido. Apague la indicación presionando ■.

Consejo

Cuando localice una canción con un número superior a 10, presione en primer lugar > 10 y, a continuación, las teclas numéricas correspondientes.

Ejemplo:

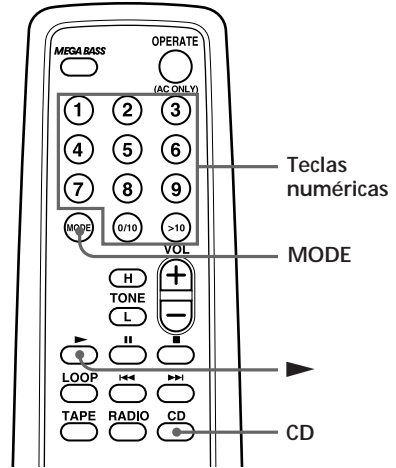
Para reproducir la canción número 23, presione en primer lugar >10 y, a continuación, 2 y 3.

Para localizar	Presione
directamente una canción específica	la tecla numérica de la canción.
un punto mientras escucha el sonido	▶▶ (hacia delante) o ◀◀ (hacia atrás) durante la reproducción y manténgala presionada hasta encontrar el punto.
un punto mientras observa el visualizador	▶▶ (hacia delante) o ◀◀ (hacia atrás) durante una pausa y manténgala presionada hasta encontrar el punto.

Reproducción repetida de las canciones

(Reproducción repetida)

Puede reproducir las canciones repetidamente en los modos de reproducción normal, aleatoria o programada (consulte la página 16).



Consejo

Para disfrutar de una breve reproducción repetida, utilice LOOP. En cuanto mantenga presionada LOOP durante la reproducción, el reproductor comienza una reproducción intercalada de la parte situada entre el punto en que presionó LOOP y un punto situado aproximadamente un segundo antes. Al soltar LOOP, el reproductor vuelve a la reproducción normal.

- 1 Presione CD.
- 2 Presione MODE (PLAY MODE en el reproductor), hasta que el modo de repetición deseado aparezca en el visualizador.

Para repetir	Seleccione
una sola canción	"REP1"
todas las canciones	"REP ALL"
canciones en orden aleatorio	"SHUF" "REP"
canciones programadas	"PGM" "REP"

- 3 Realice cualquiera de las siguientes operaciones para iniciar la reproducción repetida:
 - Si ha seleccionado "REP1", elija el tema presionando el botón numérico (presione ◀◀ o ▶▶, y a continuación, ▶◻ en el reproductor).
 - Si ha seleccionado "REP ALL" y "SHUF" "REP", presione ▶ (▶◻ en el reproductor).
 - Si ha seleccionado "PGM" "REP", programe los temas (consulte el paso 3 en la página 16) y, a continuación, presione ▶ (▶◻ en el reproductor).

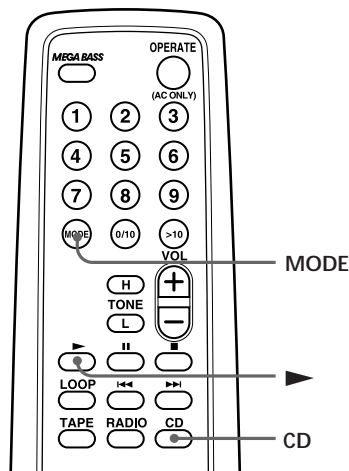
Para cancelar la reproducción repetida

Presione MODE hasta que "REP" desaparezca del visualizador.

Reproducción de temas en orden aleatorio

(Reproducción aleatoria)

Es posible reproducir temas en orden aleatorio.



En el reproductor

- 1 Presione CD.
- 2 Presione PLAY MODE repetidamente hasta que "SHUF" aparezca en el visualizador.
- 3 Presione ▶.

- 1 Presione CD.
- 2 Presione MODE repetidamente hasta que "SHUF" aparezca en el visualizador.
- 3 Presione ▶ para iniciar la reproducción aleatoria.

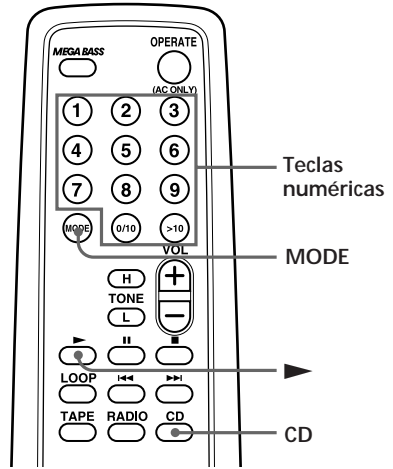
Para cancelar la reproducción aleatoria

Presione MODE hasta que "SHUF" desaparezca del visualizador.

Creación de su propio programa

(Reproducción programada)

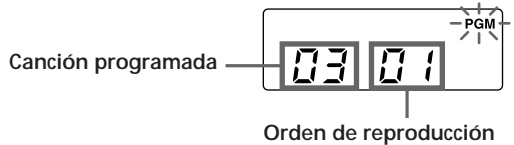
Puede disponer el orden de reproducción de un máximo de 20 temas de un CD.



En el reproductor

- 1 Presione CD.
- 2 Presione PLAY MODE hasta que "PGM" aparezca en el visualizador.
- 3 Presione ◀◀ o ▶▶ y, a continuación, DISPLAY/ENTER para los temas que desee programar en el orden deseado.
- 4 Presione ▶◻.

- 1 Presione CD.
- 2 Presione MODE hasta que la indicación "PGM" aparezca en el visualizador.
- 3 Presione las teclas numéricas de los temas que desee programar en el orden que desee. Puede programar un máximo de 20 canciones.



- 4 Presione ▶ para iniciar la reproducción programada.

Consejos

- Puede reproducir de nuevo el mismo programa, ya que éste queda almacenado hasta que apague la alimentación o abra el compartimiento del disco.
- El programa actual se borrará si abre el compartimiento de discos.
- Puede grabar su propio programa. Una vez creado, inserte una cinta virgen en el compartimiento de la cinta y presione ● para iniciar la grabación.

Para cancelar la reproducción programada

Presione MODE hasta que "PGM" desaparezca del visualizador.

Para comprobar el orden de las canciones antes de la reproducción

Presione DISPLAY/ENTER.

Cada vez que presione la tecla, el número de canción aparece en el orden programado.

Para cambiar el programa actual

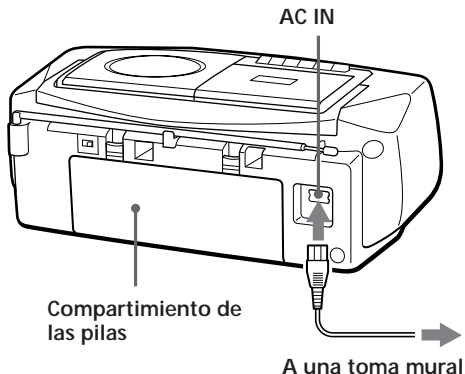
Presione ■ una vez si el CD está parado y dos veces si está reproduciéndose. El programa actual se borrará.

A continuación, cree un nuevo programa siguiendo el procedimiento de programación.

Selección de la fuente de alimentación

Puede utilizar la alimentación de CA o las pilas como fuente de alimentación.

Se recomienda utilizar la fuente de alimentación de CA cuando realice grabaciones, ya que éstas requieren un alto consumo de energía.



Consejo

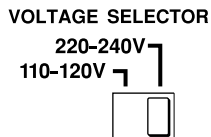
Sólo para clientes provistos del adaptador de enchufe de CA suministrado: Utilice el adaptador de enchufe de CA suministrado si el enchufe del cable de alimentación de CA no encaja en la toma.

Conexión del cable de alimentación de CA

Inserte un extremo del cable de alimentación de CA suministrado en la clavija AC IN situada en la parte posterior del reproductor, y el otro extremo en la toma mural.

Ajuste de la tensión (sólo CFD-V25/V34/V37)

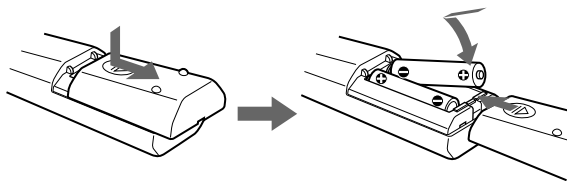
Asegúrese de ajustar el selector VOLTAGE SELECTOR de la parte inferior al suministro de alimentación local.



Nota

Si utiliza el reproductor con pilas, éste no puede activarse con el mando a distancia.

Inserte las pilas en el mando a distancia



Inserte dos pilas tamaño R6 (AA) (no suministradas)

Sustitución de las pilas

En condiciones de uso normal, la duración de las pilas es de seis meses aproximadamente. Si no consigue controlar el reproductor con el mando a distancia, sustituya todas las pilas por otras nuevas.

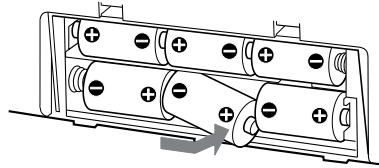
Consejo

Sustituya todas las pilas por otras nuevas si el indicador OPR/BATT presenta una luz tenue, o si el reproductor deja de funcionar. Antes de sustituir las pilas, asegúrese de extraer el CD del reproductor.

Utilización del reproductor con pilas

Inserte seis pilas R20 (tamaño D) (no suministradas) en el compartimiento de las pilas.

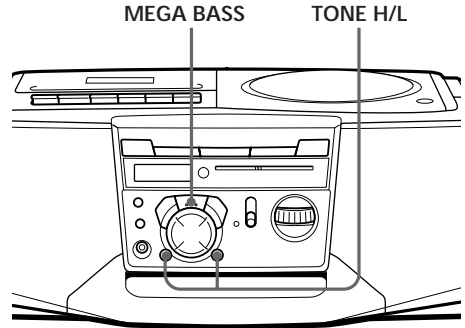
Para utilizar el reproductor con las pilas, desconecte el cable de alimentación de CA del mismo.



Selección del énfasis de audio

(TONE/MEGA BASS)

Puede ajustar el énfasis de audio del sonido que esté escuchando.



Ajuste del tono

Presione TONE H o L.

Presione TONE H para potenciar el tono alto y TONE L para potenciar el bajo.

Refuerzo de los graves

Presione MEGA BASS.

Para recuperar el sonido normal, vuelva a presionar la tecla.

Precauciones

Seguridad

- No desmonte el aparato, ya que el haz láser utilizado en la sección del reproductor de discos compactos es perjudicial para los ojos. Solicite asistencia técnica sólo a personal especializado.
- Si cae algún objeto sólido o se vierte líquido sobre el reproductor, desenchúfelo y haga que lo revise personal especializado antes de volver a utilizarlo.

Fuentes de alimentación

- Para utilizar CA, compruebe que la tensión de funcionamiento del reproductor es idéntica a la del suministro de alimentación local (consulte "Especificaciones") y utilice el cable de alimentación de CA suministrado; no emplee ningún otro tipo de cable. El selector de tensión está situado en la parte inferior del reproductor (sólo CFD-V25/V34/V37).
- El reproductor no estará desconectado de la fuente de alimentación de CA (corriente eléctrica) mientras esté conectado a la toma mural, incluso si ha apagado el reproductor.
- Para el funcionamiento con pilas, utilice seis pilas R20 (tamaño D).
- Si no va a utilizar las pilas, extraígalas para evitar los daños que podría causar el derrame del electrolito o la corrosión de las mismas.
- La placa de identificación que indica la tensión de funcionamiento, el consumo de alimentación, etc. está situada en la parte inferior.

Colocación

- No deje el reproductor en un lugar cercano a fuentes térmicas ni expuesto a la luz solar directa, al polvo excesivo ni a golpes mecánicos.
- No coloque el reproductor en un lugar inclinado ni inestable.
- No coloque nada a una distancia inferior a 10 mm de los lados del aparato. Procure no obstruir los orificios de ventilación para lograr el funcionamiento apropiado y prolongar la duración de sus componentes.
- Si deja el reproductor en el automóvil aparcado al sol, elija un lugar dentro del automóvil donde la unidad no esté expuesta a los rayos directos del sol.
- Ya que los altavoces están provistos de imanes potentes, mantenga alejados del reproductor tarjetas personales de crédito con codificación magnética y relojes de cuerda para prevenir posibles daños producidos por los imanes.

continúa

Precauciones (continúa)

Funcionamiento

- Si desplaza el reproductor directamente de un lugar frío a otro cálido, o si lo coloca en una sala muy húmeda, puede condensarse humedad en la lente del interior de la sección del reproductor de discos compactos. Si esto ocurre, el reproductor no funcionará adecuadamente. En este caso, extraiga el CD y espere durante una hora aproximadamente hasta que se evapore la humedad.
- Si no ha utilizado el reproductor durante mucho tiempo, déjelo durante unos minutos en el modo de reproducción para que se caliente antes de insertar un cassette.

Si desea realizar alguna consulta o solucionar algún problema referente al reproductor, póngase en contacto con el proveedor Sony más próximo.

Notas sobre discos compactos

- Antes de la reproducción, limpie el CD con un paño de limpieza desde el centro hacia los bordes.



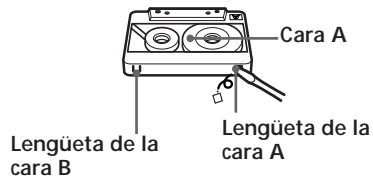
- No utilice disolventes como bencina, diluyentes, limpiadores comercialmente disponibles o rociadores antiestáticos destinados a discos analógicos.

- No exponga el CD a la luz solar directa ni a fuentes térmicas como conductos de aire caliente; tampoco lo deje en un automóvil aparcado al sol, ya que puede producirse un considerable aumento de temperatura en el interior del automóvil.
- No adhiera papeles ni adhesivos sobre el CD, ni arañe su superficie.
- Tras la reproducción, guarde el CD en su caja.

Si el disco está rayado, sucio o tiene huellas dactilares, pueden producirse errores de seguimiento.

Notas sobre cassettes

- Rompa la lengüeta del cassette de la cara A o B para evitar grabaciones accidentales. Si desea volver a utilizar la cinta para realizar grabaciones, cubra el orificio de la lengüeta rota con cinta adhesiva.



- No se recomienda el uso de cassettes de tiempo de reproducción superior a 90 minutos, excepto para grabación o reproducción continua y de larga duración.

Solución de problemas

	Síntoma	Solución
General	La alimentación no se activa.	<ul style="list-style-type: none">• Conecte el cable de alimentación de CA a una toma mural con firmeza.• Asegúrese de que ha insertado las pilas correctamente.• Sustituya todas las pilas por otras nuevas si están débiles.• No es posible activar el reproductor con el telemando si lo está utilizando con pilas.
	Carencia de sonido.	<ul style="list-style-type: none">• Compruebe que la función que desee emplear aparezca en el visualizador.• Ajuste el volumen.• Desenchufe los auriculares cuando escuche a través de los altavoces.
Reproductor de discos compactos	El CD no se reproduce/La indicación “no disc” se ilumina en el visualizador aunque haya un CD insertado.	<ul style="list-style-type: none">• Compruebe que el compartimento del disco está cerrado.• Coloque el CD con la superficie de la etiqueta hacia arriba.• Limpie el CD.• Extraiga el CD y deje abierto el compartimento del disco durante una hora aproximadamente hasta que se seque la condensación de humedad.• Asegúrese de que la indicación “Cd” aparece en el visualizador.
	Pérdida de sonido.	<ul style="list-style-type: none">• Reduzca el volumen.• Limpie el CD o sustitúyalo si está gravemente dañado.• Sitúe el reproductor en un lugar sin vibraciones.
Radio	El sonido es demasiado bajo o presenta mala calidad.	<ul style="list-style-type: none">• Sustituya todas las pilas por otras nuevas si están débiles.• Aleje el reproductor del televisor.• Si utiliza el mando a distancia mientras escucha la recepción de AM o MW/LW, es posible que se oiga ruido. Esto es inevitable.
	La imagen del televisor no es estable.	<ul style="list-style-type: none">• Si escucha un programa en FM cerca del televisor con una antena interior, aleje el reproductor del televisor.

continúa

Solución de problemas (continúa)

	Síntoma	Solución
Reproductor de cintas	La cinta permanece inmóvil cuando presiona una tecla de funcionamiento.	<ul style="list-style-type: none"> • Cierre el compartimiento del cassette con firmeza.
	La tecla REC ● no funciona/ La cinta no se reproduce.	<ul style="list-style-type: none"> • Asegúrese de que el cassette está provisto de lengüeta de seguridad. • Asegúrese de que la indicación "TAPE" aparece en el visualizador.
	La cinta no se borra por completo.	<ul style="list-style-type: none"> • Limpie las cabezas borradoras (consulte la página 25.) • Sustituya todas las pilas por otras nuevas si están débiles.
	La cinta no puede grabarse.	<ul style="list-style-type: none"> • Asegúrese de que ha insertado la cinta correctamente. • Asegúrese de que el cassette está provisto de lengüeta de seguridad.
	El sonido es débil o de mala calidad.	<ul style="list-style-type: none"> • Limpie las cabezas, el rodillo compresor y el eje de arrastre (consulte la página 25.) • Desmagnetice las cabezas con un desmagnetizador (consulte la página 25.)
	El sonido se distorsiona.	<ul style="list-style-type: none"> • Está utilizando cintas TYPE II (posición alta) o TYPE IV (metal). Emplee sólo cintas TYPE I (normal).
Mando a distancia	El mando a distancia no funciona.	<ul style="list-style-type: none"> • Sustituya todas las pilas del mando a distancia por otras nuevas si están débiles. • Asegúrese de orientar el mando a distancia hacia el sensor remoto del reproductor. • Elimine todos los obstáculos entre el mando a distancia y el reproductor. • Asegúrese de que el sensor remoto no está expuesto a iluminaciones intensas, como la luz solar directa o la luz de una lámpara fluorescente. • Acérquese al reproductor cuando utilice el mando a distancia.

Si los problemas persisten después de haber realizado las soluciones sugeridas, desenchufe el cable de alimentación de CA y extraiga todas las pilas. Una vez que desaparezcan todas las indicaciones del visualizador, enchufe el cable de alimentación y vuelva a insertar las pilas. Si el problema persiste, póngase en contacto con el proveedor Sony más próximo.

Mantenimiento

Limpieza de la lente

Si la lente se ensucia, pueden producirse pérdidas de sonido durante la reproducción del CD. Límpiela con un soplador disponible en establecimientos comerciales.

Limpieza de las cabezas y la trayectoria de la cinta

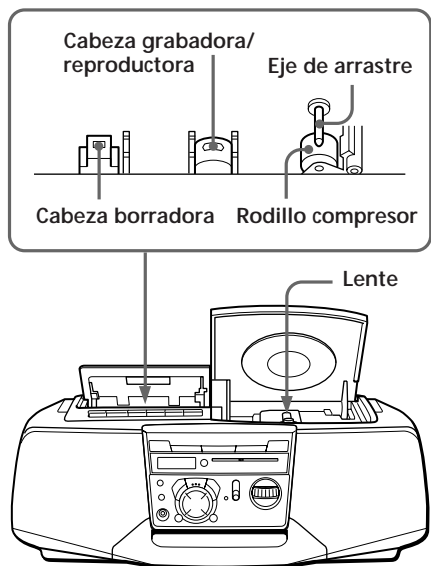
Para obtener una calidad de reproducción y grabación óptima, limpie las cabezas, el rodillo compresor y el eje de arrastre con una escobilla de limpieza ligeramente humedecida en un líquido limpiador o alcohol cada 10 horas de funcionamiento. Sin embargo, para realizar grabaciones con la mayor calidad posible, se recomienda limpiar todas las superficies por las que se desliza la cinta antes de cada grabación.

Desmagnetización de las cabezas de cinta

Tras 20 a 30 horas de uso, se concentra suficiente cantidad de magnetismo residual en las cabezas de cinta para empezar a causar pérdida de sonido de alta frecuencia y siseo. Llegado este momento, deben desmagnetizarse las cabezas y todos los componentes de metal del recorrido de la cinta con un desmagnetizador de cabezas que podrá adquirir en establecimientos comerciales.

Limpieza del exterior

Limpie la caja, el panel y los controles con un paño suave ligeramente humedecido en una solución detergente poco concentrada. No utilice estropajos, detergentes abrasivos ni disolventes como alcohol o bencina.



Una vez realizada la limpieza, inserte una cinta cuando las zonas limpiadas estén completamente secas.

Especificaciones

Sección del reproductor de discos compactos

Sistema

Sistema audiodigital de discos compactos

Propiedades del diodo láser

Material: GaAlAs

Longitud de onda: 780 nm

Duración de emisión: Continua

Salida de láser: Menos de 44,6 μ W

(Esta salida es el valor medido a una distancia de unos 200 mm de la superficie del objetivo del bloque fonocaptor óptico con una apertura de 7 mm)

Velocidad del eje

200 rev./min. (rpm) a 500 rev./min. (rpm) (CLV)

Número de canales

2

Respuesta de frecuencia

20 - 20.000 Hz +1/-2 dB

Fluctuación y trémolo

Por debajo del límite medible

Sección de la radio

Margen de frecuencias

CFD-V34L/V37L/930L

FM	Italia	87,5 - 108 MHz
	Europa central y oriental	65 - 108 MHz
	Otros países	87,6 - 107 MHz

MW	Italia	526,5 - 1.606,5 kHz
	Otros países	531 - 1.602 kHz

LW	Italia	148,5 - 283,5 kHz
	Otros países	153 - 279 kHz

CFD-V25/V34/V37

FM	Arabia Saudita	87,6 - 107 MHz
	Modelo turista	76 - 108 MHz
	Otros modelos	87,6 - 108 MHz

AM	Modelo turista	530 - 1.629 kHz
	Otros modelos	530 - 1.605 kHz

IF

FM: 10,7 MHz

AM/MW/LW: 455 kHz

Antenas

FM: Antena telescópica

AM/MW/LW: Barra de ferrita incorporada

Sección del deck de cassettes

Sistema de grabación

4 pistas, 2 canales estéreo

Tiempo de bobinado rápido

120 s (seg.) aprox. con cassettes Sony C-60

Respuesta de frecuencia

TYPE I (normal): 70 - 10.000 Hz

General

Altavoz

Gama completa : 10 cm. de diám.,

3,2 ohmios, tipo cónico (2)

Salidas

Toma de auriculares (minitoma estéreo)

Para auriculares de 16-64 ohmios de impedancia

Salida máxima de potencia

2,5 W + 2,5 W

Requisitos de alimentación

Para radiocassette con reproductor de discos compactos:

CFD-V34L/V37L/930L

230 V CA, 50 Hz

CFD-V25/V34/V37

110 - 120 V, 220 - 240 V CA seleccionable a 50/60 Hz

9 V CC, 6 pilas de R20 (tamaño D)

Telemando:

3 V CC, 2 pilas de R6 (tamaño AA)

Consumo

CA 20 W

Duración de las pilas

Para radiocassette con reproductor de discos compactos:

Grabación de FM

R20P Sony: 13,5 h. aprox.

Alcalinas LR20 Sony: 19 h. aprox.

Reproducción de cintas

R20P Sony: 7,5 h. aprox.

Alcalinas LR20 Sony: 15 h. aprox.

Reproducción de discos compactos

R20P Sony: 2,5 h. aprox.

Alcalinas LR20 Sony: 6 h. aprox.

Dimensiones

425 × 160 × 246 mm. aprox. (an/al/f)
(incluyendo partes salientes)

Peso

4,2 kg. aprox. (incluyendo las pilas)

Accesorios suministrados

Cable de alimentación de CA (1)
Telemando (1)

El diseño y las especificaciones están sujetos a cambio sin previo aviso.

Accesorios opcionales

Auriculares de la serie MDR Sony

Índice alfabético

A, B

Ajuste

- énfasis de sonido 20
- tono 20

C

- Creación de su propio programa 16

D

- Desmagnetización de las cabezas de cinta 25

E

- Énfasis de sonido 20
- Escucha de la radio 6

F

- Fuentes de alimentación 18

G, H

- Grabación en una cinta 10

I, J, K

- Instalación 18

L

Limpieza

- cabezas y paso de cinta 25
- exterior 25
- lente 25

- Localización de una canción específica 13

- LOOP 14

M, N, O

- MEGA BASS 20

- Mejora de la recepción de emisoras 7

P, Q

Pilas

- para reproductor 19
- para mando a distancia 18

R

Reproducción

- de cintas 8
- de discos compactos 4
- repetida de canciones 14

- Reproducción de programa 16

- Reproducción repetida 14

- Reproductor de discos compactos 12

S

- Selección de canciones 5

- Selección de fuentes de alimentación 18

- Selector de tensión 18

- Solución de problemas 23

T

- TONE 20

U

- Uso del visualizador 12

V, W, X, Y, Z

- Visualizador 12

Free Manuals Download Website

<http://myh66.com>

<http://usermanuals.us>

<http://www.somanuals.com>

<http://www.4manuals.cc>

<http://www.manual-lib.com>

<http://www.404manual.com>

<http://www.luxmanual.com>

<http://aubethermostatmanual.com>

Golf course search by state

<http://golfingnear.com>

Email search by domain

<http://emailbydomain.com>

Auto manuals search

<http://auto.somanuals.com>

TV manuals search

<http://tv.somanuals.com>