

CD Radio Cassette-Corder

Operating Instructions page 2^{GB}

GB

CFD-CD777S MK2

Warning

To prevent fire or shock hazard, do not expose the player to rain or moisture.

To avoid electrical shock, do not open the cabinet. Refer servicing to qualified personnel only.

Warning

Do not install the appliance in a confined space, such as a bookcase or built-in cabinet.

To prevent fire or shock hazard, do not place objects filled with liquids, such as vases, on the appliance.

The FUNCTION selector is located at the front. When you turn on the player, the OPR/BATT indicator lights up.

Table of contents

Basic Operations

Playing a CD	4
Listening to the radio	6
Playing a tape	8
Recording on a tape	10
Dubbing	12

The CD Player

Using the display	14
Locating a specific track	14
Playing tracks repeatedly (Repeat Play)	15
Creating your own program (Program Play)	16

The Tape Player

Recording through a microphone/Using as a PA system	17
--	----

The Audio Emphasis

Selecting the audio emphasis (DYNAMIC SOUND SYSTEM)	18
--	----

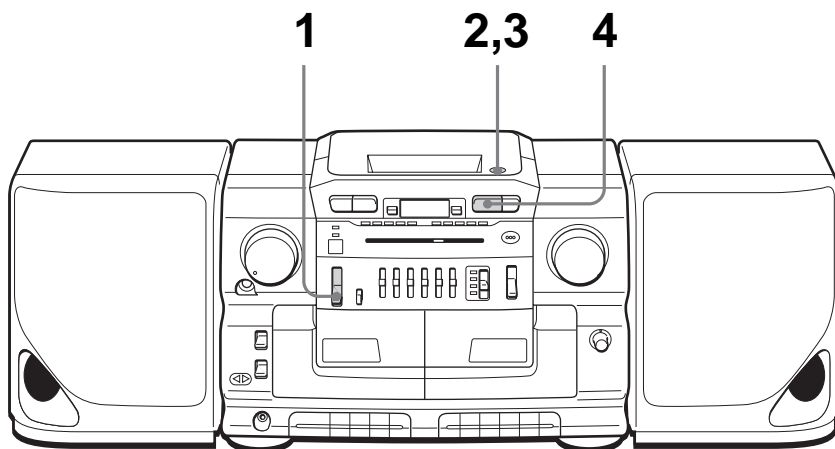
Setting Up

Choosing the power sources	19
Connecting optional components	21

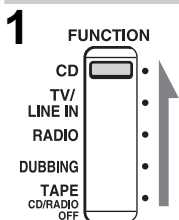
Additional Information

Precautions	22
Troubleshooting	24
Maintenance	26
Specifications	27
Index	28

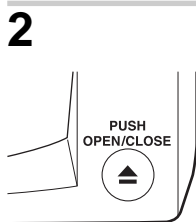
Playing a CD



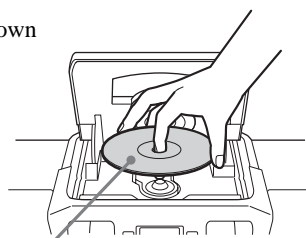
For hookup instructions, see pages 19 – 20.



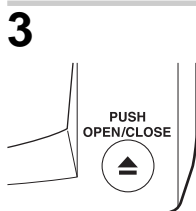
Set **FUNCTION** to **CD**.



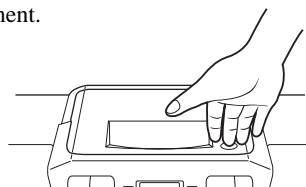
Press ▲ **PUSH OPEN/CLOSE** down to open the lid of the CD compartment and place a CD on the CD compartment.



With the label side up



Close the lid of the CD compartment.



4



Press ►|| (► on the remote).

The player plays all the tracks once.

Display

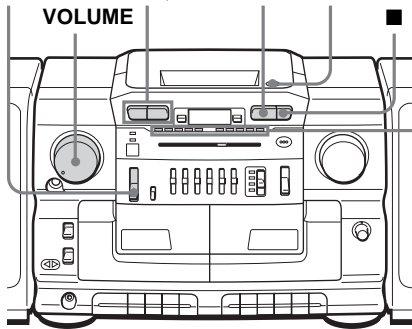


Track number

Playing time

Use these buttons for additional operations

FUNCTION ◀◀, ▶▶ ►|| ▲ PUSH OPEN/CLOSE
VOLUME ■



Level meter

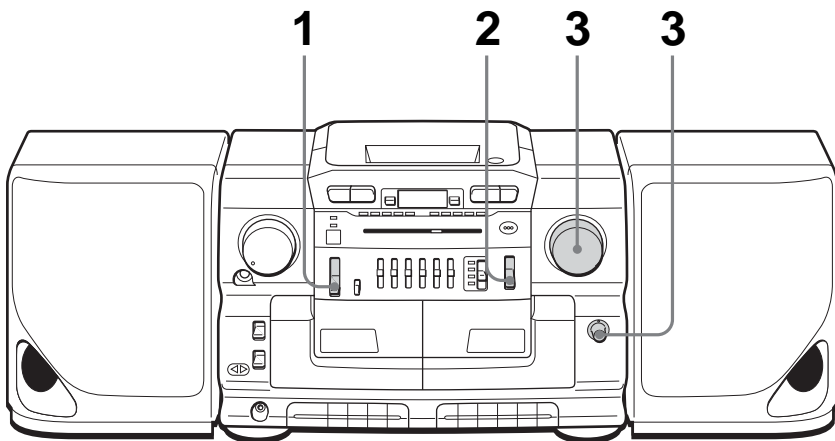
Tip

During operation, the level meter shows the frequency level of the sound.

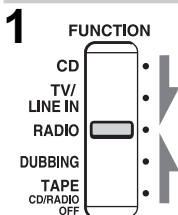
Adjusting the volume will not affect the level meter.

To	Do this
adjust the volume	Turn VOLUME.
stop playback	Press ■.
pause playback	Press ► . (On the remote, press .) Press the button again to resume play after pause.
go to the next track	Press ▶▶.
go back to the previous track	Press ◀◀.
remove the CD	Press ▲PUSH OPEN/CLOSE.
turn off the player	Set FUNCTION to TAPE• CD/RADIO OFF.

Listening to the radio



For hookup instructions, see pages 19 – 20.

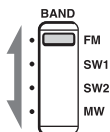


1

FUNCTION

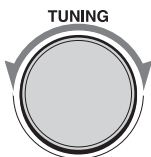
Set **FUNCTION** to **RADIO**.

2



Set **BAND** to select the band you want.

3



Turn **TUNING** to tune in the station you want.

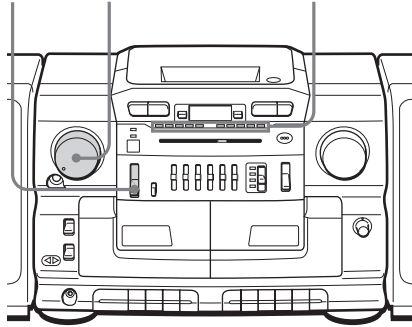
FINE TUNING



For better SW reception, use **FINE TUNING**.

Use these buttons for additional operations

FUNCTION VOLUME Level meter



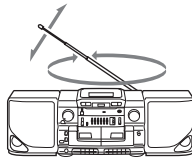
Tips

- During operation, the level meter shows the frequency level of the sound. Adjusting the volume will not affect the level meter.
- If the FM broadcast is noisy, set ISS•FM MODE at the rear to "MONO". Radio will play in monaural.

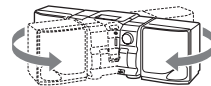
To	Do this
adjust the volume	Turn VOLUME .
turn off the radio	Set FUNCTION to TAPE• CD/ RADIO OFF.

To improve broadcast reception

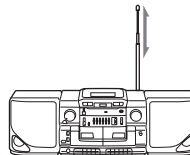
Reorient the antenna for FM. Reorient the player itself for MW. For SW, extend the antenna vertically.



for FM

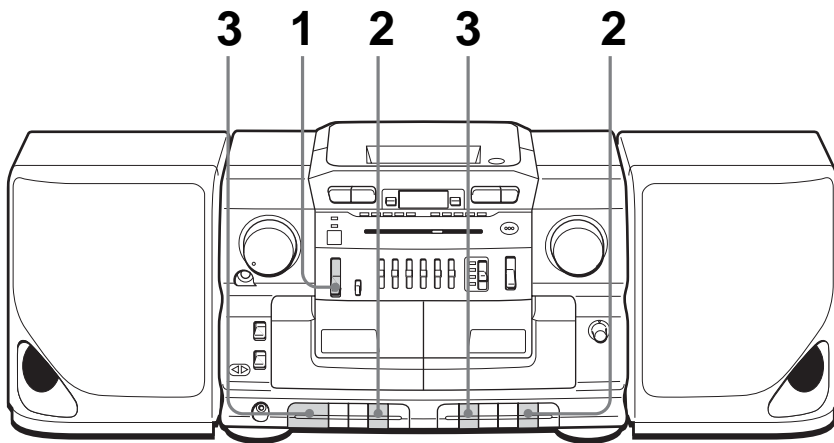


for MW



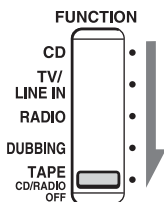
for SW

Playing a tape



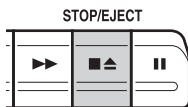
For hookup instructions, see pages 19 – 20.

1



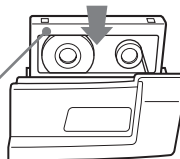
Set **FUNCTION** to **TAPE•CD/
RADIO OFF**.

2



Press **■▲** to open tape compartment and insert a recorded tape. Use **TYPE I** (normal) tape only. Close the compartment.

With the side you want to play facing you



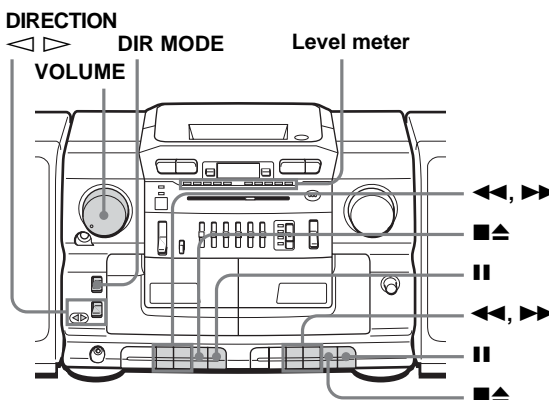
3



Press **▶**.

The player starts playing.

Use these buttons for additional operations



Note

During playback, do not press ►►, ◀◀ or ► on the other deck as this causes excessive wow and flutter.

Tips

- During operation, the level meter shows the frequency level of the sound. Adjusting the volume will not affect the level meter.
- To play tapes in both decks successively, press ► on deck B and then press PLAY and || on deck A as the same time. When the tape ends on deck B, the playback starts automatically on deck A.

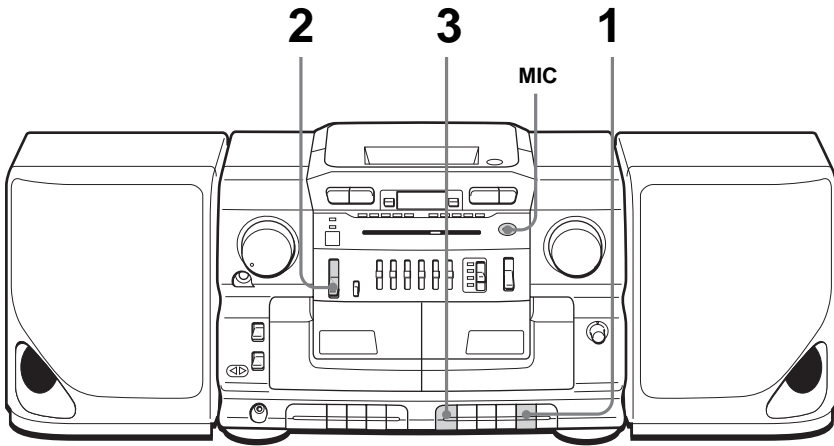
To	Do this
adjust the volume	Turn VOLUME.
stop playback	Press ■▲.
fast-forward or rewind the tape	Press ◀◀ or ►►.
pause playback	Press . Press the button again to resume play after pause.
play the opposite side of the tape (deck A only)	Press down DIRECTION once. DIRECTION ◀▶ (reverse/forward) indicators show the tape direction of deck A.
eject the cassette	Press ■▲.

To select the direction of the tape (deck A only)

To play	Set DIR MODE to
both sides of the tape repeatedly	↻
both sides of the tape from the front side to reverse side only*	↺

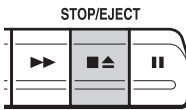
* If play begins from the reverse side, the tape stops at the end of that side.

Recording on a tape

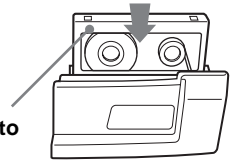


For hookup instructions, see pages 19 – 20.

1

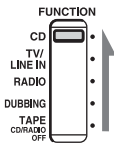


Press to open the tape compartment on deck B and insert a blank tape. Use TYPE I (normal) tape only. Close the compartment.



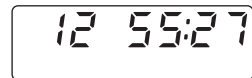
With the side you want to record on facing you

2

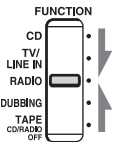


Select the program source you want to record.

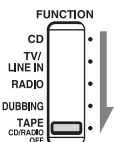
Display



To record from the CD player, set FUNCTION to CD and insert a CD (see page 4).



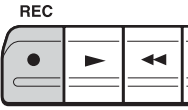
To record from the radio, set FUNCTION to RADIO, and tune in the station you want using BAND and TUNING (see page 6).



To record from the built-in microphone (MIC), set FUNCTION to TAPE•CD/RADIO OFF.

3

Deck B



Start recording.

Press ● on deck B (▶ is depressed automatically).

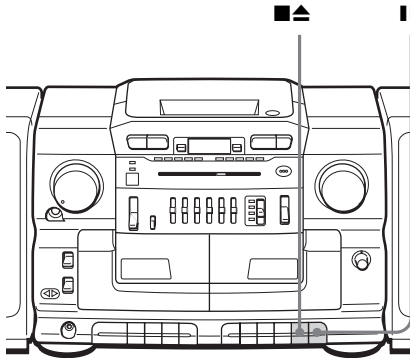
Notes

- During recording, do not press ▶▶, ◀◀ or PLAY on deck A as this causes excessive wow and flutter.
- While recording from the built-in microphone (MIC), no sound comes from the speakers or the headphones.
- When you connect the microphone to the MIX MIC jack, you cannot record from the built-in microphone.

Tips

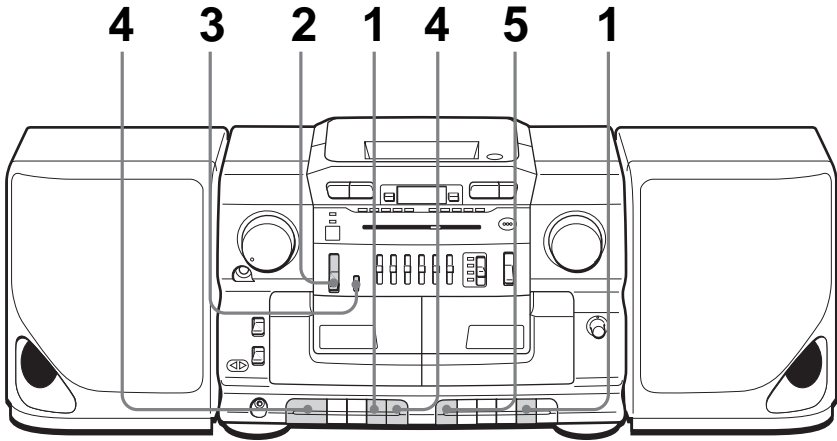
- Adjusting the volume or selecting the audio emphasis (see page 18) will not affect the recording level.
- If the MW program makes a whistling sound after you've pressed ● in step 3, set the ISS•FM MODE (Interference Suppress Switch) at the rear to the position that most decreases the noise.
- For the best results, use the AC power as a power source.
- To erase a recording, proceed as follows:
 - 1 Insert the tape into deck B.
 - 2 Disconnect the audio source if connected to the TV/LINE IN jack at the rear.
 - 3 Set FUNCTION to TV/LINE IN.
 - 4 Press ● on deck B.

Use these buttons for additional operations



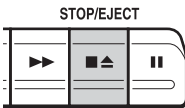
To	Press
stop recording	■▲ on deck B
pause recording	on deck B Press the button again to resume recording.

Dubbing

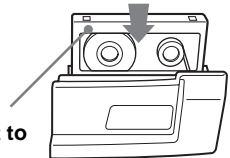


For hookup instructions, see pages 19 – 20.

1

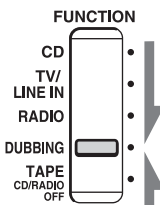


Insert a recorded tape into deck A and a blank tape into deck B. Use TYPE I (normal) tape only. Close the compartment.



With the side you want to record on facing you

2



Set FUNCTION to DUBBING.

3

HIGH SPEED DUBBING

▣ ON
□ OFF



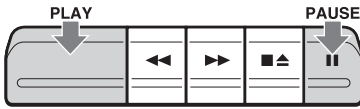
To dub at high speed, press HIGH SPEED DUBBING to **▣ ON**.

To dub at normal speed, press HIGH SPEED DUBBING to **□ OFF**.

4

Deck A

Press **||** and then press PLAY on deck A.

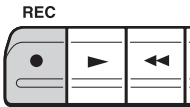


5

Deck B

Start dubbing.

Press ● on deck B (▶ is depressed automatically).



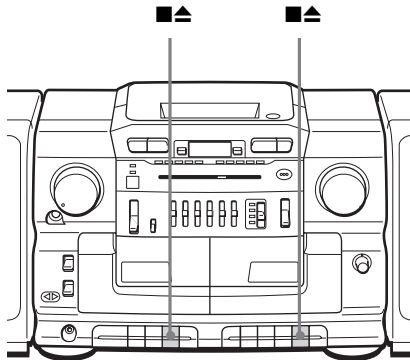
Note

During dubbing, do not set FUNCTION or press HIGH SPEED DUBBING as this causes excessive wow and flutter.

Tips

- Adjusting the volume or selecting the audio emphasis (see page 18) will not affect the recording level.
- For the best results, use the AC power as a power source.
- When the tape in deck A ends first, deck B will continue recording till the tape end. When the tape in deck B ends first, deck A plays on according to the setting of the DIR MODE switch.

Use these buttons for additional operations

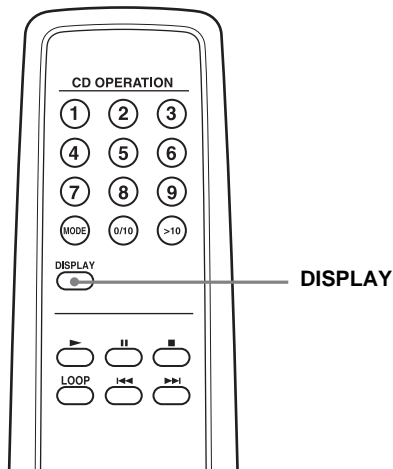


To stop dubbing

Press **■▲** on deck A and B.

Using the display

You can check information about the CD using the display.



Checking the total track number and playing time

Press DISPLAY (DISPLAY/ENTER on the player) in stop mode.

Total playing time

Total track number



Checking the remaining time

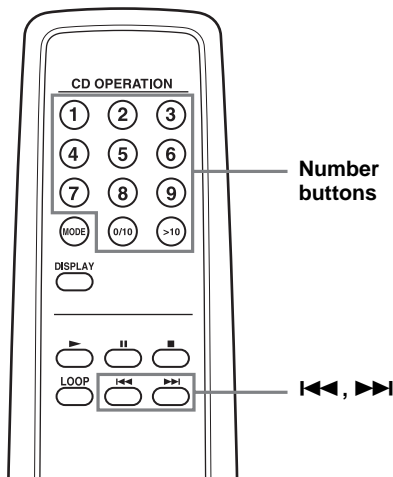
Press DISPLAY (DISPLAY/ENTER on the player) while playing a CD. The display changes as follows:

- the current track number and playing time
- ↓
- the current track number and the remaining time on the current track*
- ↓
- the number of tracks left and remaining time on the CD

* For a track whose number is more than 20, the remaining time appears as “- -:--”.

Locating a specific track

You can quickly locate any track using the number buttons. You can also find a specific point in a track while playing a CD.



To locate	Press
a specific track directly	the number button of the track.
a point while listening to the sound	▶▶▶ (forward) or ◀◀◀ (backward) while playing and hold down until you find the point.
a point while observing the display	▶▶▶ (forward) or ◀◀◀ (backward) in pause and hold down until you find the point.

Note

You cannot locate a specific track if “SHUF REP” or “PGM” is lit in the display. Turn off the indication by pressing ■.

Tip

When you locate a track numbered over 10, press >10 first, then the corresponding number buttons. Example:
To play track number 23, press >10 first, then 2 and 3.

Playing tracks repeatedly (Repeat Play)

You can play tracks repeatedly in normal, shuffle or program play modes (see page 16).

On the player

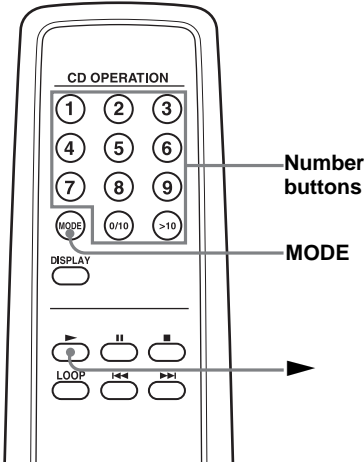
Use PLAY MODE instead of MODE, **⏮** or **⏭** to select the track instead of the number button, and **⏮** instead of **▶**.

To cancel Repeat Play

Press MODE until “REP” disappears from the display.

Tip

Press and hold LOOP on the remote during play to repeat a selected part of a CD. When you release LOOP, the player returns to normal play.



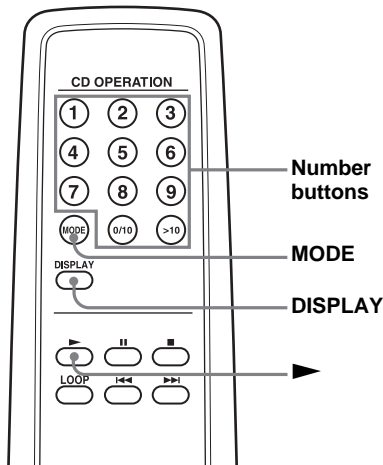
1 Set FUNCTION to CD on the player.

2 Proceed as follows:

To repeat	Do this
a single track	<ol style="list-style-type: none"> 1 Press MODE until “REP 1” appears. 2 Press the number button to select the track that you want to repeat. 3 Press ▶.
all the tracks	<ol style="list-style-type: none"> 1 Press MODE until “REP ALL” appears. 2 Press ▶.
tracks in random order	<ol style="list-style-type: none"> 1 Press MODE until “SHUF REP” appears. 2 Press ▶.
programed tracks	<ol style="list-style-type: none"> 1 Press MODE until “PGM REP” appears. 2 Program tracks (see step 3 on page 16). 3 Press ▶.

Creating your own program (Program Play)

You can arrange the playing order of up to 20 tracks on a CD.



On the player

- 1 Set FUNCTION to CD.
- 2 Press PLAY MODE until "PGM" appears in the display.
- 3 Press **◀◀** or **▶▶** then press DISPLAY/ENTER for the tracks you want to program in the order you want.
- 4 Press **▶▶**.

To cancel Program Play

Press MODE until "PGM" disappears from the display.

To check the order of tracks before play

Press DISPLAY.

Every time you press the button, the track number appears in the programmed order.

To change the current program

Press **■** once if the CD is stopped and twice if the CD is playing. The current program will be erased. Then create a new program following the programming procedure.

1 Set FUNCTION to CD on the player.

2 Press MODE until "PGM" appears in the display.

3 Press the number buttons for the tracks you want to program in the order you want.

Playing order



4 Press **▶▶** to start program play.

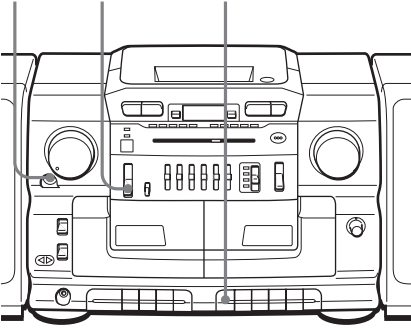
Tips

- You can play the same program again, since the program is saved until you open the CD compartment or switch FUNCTION.
- The current program will be erased if you switch FUNCTION or open the CD compartment.
- You can record your own program. After you've created the program, insert a blank tape into deck B and press **●** on deck B to start recording.

Recording through a microphone/Using as a PA system

You can record sound using a microphone (not supplied) or use the player as a public address system.

MIX MIC FUNCTION ●



Using as a PA system

- 1 Plug the microphone into the MIX MIC jack and turn on the microphone if it has a power switch.
- 2 Set FUNCTION to TV/LINE IN.
- 3 Sing or speak into the microphone and adjust the volume.

Notes

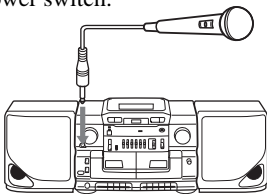
- Acoustic feedback (howling) tend to occur when you use a microphone with echo function.
- If acoustic feed back (howling) occurs, turn down the volume or move the microphone away from the speakers.

Tip

You can mix CD or radio sounds and record them by adding your voice or other audio through the microphone.

Recording through a microphone

- 1 Plug the microphone into the MIX MIC jack and turn on the microphone if it has a power switch.

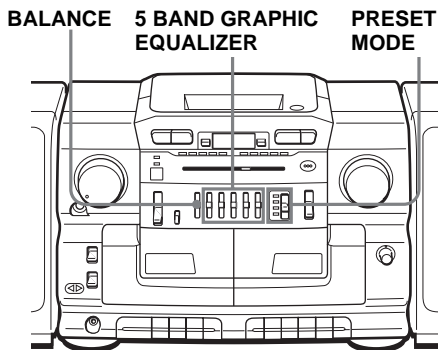


- 2 Set FUNCTION to TAPE•CD/RADIO OFF.
- 3 Insert a blank tape into deck B and press ● to start recording.

Selecting the audio emphasis

(DYNAMIC SOUND SYSTEM)

You can select the audio emphasis of the sound you are listening to.



Using the 5 BAND GRAPHIC EQUALIZER

Slide 5 BAND GRAPHIC EQUALIZER to select the audio emphasis you want.

Use	To select
MEGA BASS	deep bass sound
400 Hz	speaking voice, middle frequencies of instrumental music
1 kHz	presence of vocals
4 kHz	brightness of sound
10 kHz	high treble sounds or to reduce high frequency noise/tape hiss

Using the PRESET MODE

Set the PRESET MODE selector to the sound mode you want.

Use	To
MANUAL	select the sound using the 5 BAND GRAPHIC EQUALIZER.
DISCO	get powerful, clear sounds emphasizing low and high range audio.
PARTY	get light, bright sounds emphasizing high and middle range audio.
LIVE	get wide-ranging sounds having presence.

Adjusting the sound balance of the left and right speakers

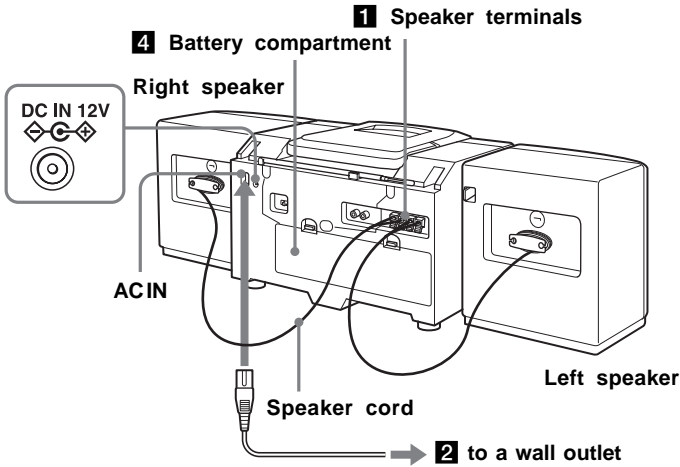
Use BALANCE.

Note

When selecting the 5 BAND GRAPHIC EQUALIZER, be sure to set the PRESET MODE selector to MANUAL. The graphic equalizer will not work in any other position.

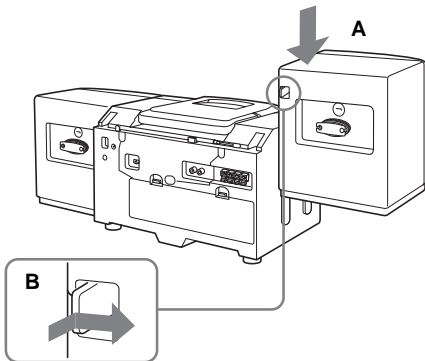
Choosing the power sources

You can use the AC power or batteries as a power source.



1 Hooking up the speakers

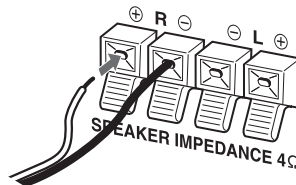
- Align the grooves and slide the speaker box down until it snaps into place A.



Tips

- To detach the speakers, unlock speaker (see B on the diagram) and slide the speaker box all the way up and away from the player.
- Connect the supplied speakers to this player. If you connect any other speakers or equipment, malfunction may occur.

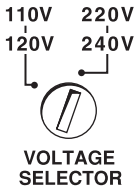
- Connect the black wires to (-) minus and the red wires to (+) plus terminals; the right speaker wires to the R and the left speaker wires to the L terminals.



- 2** Connecting the AC power cord
- Insert one end of the supplied AC power cord to the AC IN socket located at the rear of the player, and the other end to the wall outlet.

Adjusting the voltage

Be sure to set the VOLTAGE SELECTOR (at the rear) to your local power supply.

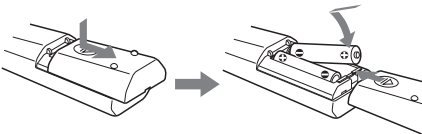


Tip

Only for the customers supplied with an AC plug adaptor:

Use the supplied AC plug adaptor if the plug of the AC power cord does not match your outlet.

- 3** Inserting batteries into the remote

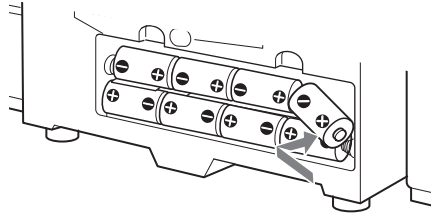


Insert two R6 (size AA) batteries (not supplied).

Replacing batteries

With normal use, the batteries should last for about six months. When the remote no longer operates the player, replace all the batteries with new ones.

- 4** Using the player on batteries
- Insert eight R20 (size D) batteries (not supplied) into the battery compartment. To use the player on batteries, disconnect the AC power cord from the player.



Replacing batteries

Replace the batteries when the OPR/BATT indicator dims or when the player stops operating. Replace all the batteries with new ones.

Notes

- Before you replace the batteries, be sure to take out the CD from the player.
- When you use the DC IN 12V jack, do not connect a power cord to the cigarette lighter socket.

Connecting optional components

You can enjoy the sound from a TV or VCR through the speakers of this player.

Be sure to turn off the power of each equipment before making connections, and set FUNCTION to TAPE•CD/RADIO OFF.

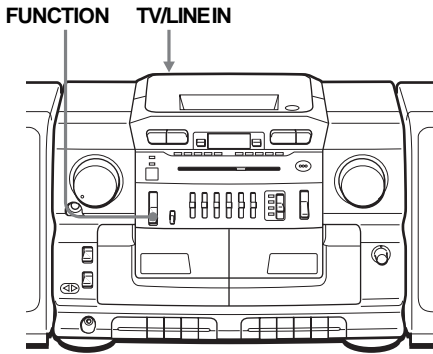
For details, refer to the instruction manual of the component to be connected.

Note

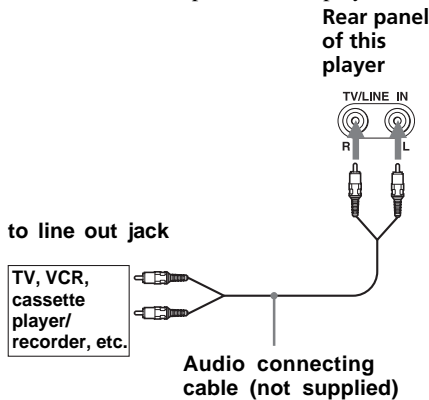
Connect the cables firmly to avoid any malfunction.

Tip

You can record the sound of the connected component. Insert a blank tape, and press ● on deck B



- 1 Connect a component to the player.



- 2 Set FUNCTION to TV/LINE IN and play the connected component.

Precautions

On safety

- As the laser beam used in the CD player section is harmful to the eyes, do not attempt to disassemble the casing. Refer servicing to qualified personnel only.
- Should any solid object or liquid fall into the player, unplug the player, and have it checked by qualified personnel before operating it any further.
- Discs with non-standard shapes (e.g., heart, square, star) cannot be played on this player. Attempting to do so may damage the player. Do not use such discs.

On power sources

- For AC operation, check that the player's operating voltage is identical with your local power supply (see "Specifications") and use the supplied AC power cord; do not use any other type. The voltage selector is located at the rear of the player.
- The player is not disconnected from the AC power source (mains) as long as it is connected to the wall outlet, even if the player itself has been turned off.
- For battery operation, use eight R20 (size D) batteries.
- When the batteries are not to be used, remove them to avoid damage that can be caused by battery leakage or corrosion.
- The nameplate indicating operating voltage, power consumption, etc. is located at the rear.

On placement

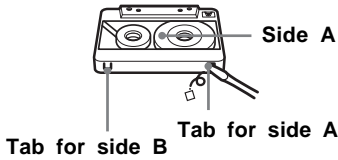
- Do not leave the player in a location near heat sources, or in a place subject to direct sunlight, excessive dust or mechanical shock.
- Do not place the player on an inclined or unstable place.
- Do not place anything within 10 mm of the side of the cabinet. The ventilation holes must be unobstructed for the player to operate properly and prolong the life of its components.
- If the player is left in a car parked in the sun, be sure to choose a location in the car where the player will not be subjected to the direct rays of the sun.
- Since a strong magnet is used for the speakers, keep personal credit cards using magnetic coding or spring-wound watches away from the player to prevent possible damage from the magnet.

On operation

- If the player is brought directly from a cold to a warm location, or is placed in a very damp room, moisture may condense on the lens inside the CD player section. Should this occur, the player will not operate properly. In this case, remove the CD and wait about an hour for the moisture to evaporate.
- If the player has not been used for a long time, set it in the playback mode to warm it up for a few minutes before inserting a cassette.

Notes on cassettes

- Break off the cassette tab from side A or B to prevent accidental recording. If you want to reuse the tape for recording, cover the broken tab with adhesive tape.



- The use of a cassette with more than 90 minutes of play time is not recommended except for long, continuous recording or playback.

Notes on CDs

- Before playing, clean the CD with a cleaning cloth. Wipe the CD from the center out.



- Do not use solvents such as benzine, thinner, commercially available cleaners or anti-static spray intended for vinyl LPs.
- Do not expose the CD to direct sunlight or heat sources such as hot air ducts, nor leave it in a car parked in direct sunlight as there can be a considerable rise in temperature inside the car.
- Do not stick paper or sticker on the CD, nor scratch the surface of the CD.
- After playing, store the CD in its case.

If there is a scratch, dirt or fingerprints on the CD, it may cause tracking error.

Music discs encoded with copyright protection technologies

This product is designed to play back discs that conform to the Compact Disc (CD) standard. Recently, various music discs encoded with copyright protection technologies are marketed by some record companies. Please be aware that among those discs, there are some that do not conform to the CD standard and may not be playable by this product.

If you have any questions or problems concerning your player, please consult your nearest Sony dealer.

Troubleshooting

General

The power is not on.

- Connect the AC power cord to a wall outlet securely.
- Make sure the batteries are inserted correctly.
- Replace all the batteries with new ones if they are weak.
- You cannot turn on the player with the remote when you operate the player on batteries.

There is no audio.

- Set FUNCTION to the position you want to operate.
- Adjust the volume.
- Unplug the headphones when listening through speakers.

CD Player

The CD does not play or “no disc” lights in the display even when a CD is in place.

- Make sure that the CD compartment is closed.
- Place the CD with the label surface up.
- Clean the CD.
- Take out the CD and leave the CD compartment open for about an hour to dry moisture condensation.
- Set FUNCTION to CD.

The sound drops out.

- Reduce the volume.
- Clean the CD, or replace it if the CD is badly damaged.
- Place the player in a location free from vibration.
- Clean the lens with a commercially available blower.

Radio

The audio is weak or has poor quality.

- Replace all the batteries with new ones if they are weak.
- Move the player away from the TV.
- If you are using the remote while listening to MW radio, noise may be heard. This is unavoidable.

The picture of your TV becomes unstable.

- If you are listening to an FM program near the TV with an indoor antenna, move the player away from the TV.

Tape Player

The tape does not move when you press an operation button.

- Close the tape compartment securely.

The REC ● button does not function.

The tape does not play.

- Make sure the safety tab on the cassette is in place.
- Make sure FUNCTION is set to “TAPE” or “DUBBING”.

The tape does not erase completely.

- Clean the erasing head (see page 26).
- Replace all the batteries with new ones if they are weak.
- The source which was recorded on TYPE II (high position) or TYPE IV (metal) tape using this unit is being played. Record on TYPE I (normal) tape and play.

The tape does not record.

- Make sure the tape is inserted properly.
- Make sure the safety tab of the cassette is in place.

The audio is weak.

The audio quality is poor.

- Clean the heads, pinch roller and capstans (see page 26).
- Demagnetize the heads using a demagnetizer (see page 26).

The sound is distorted.

- The TYPE II (high position) or TYPE IV (metal) tape is being used. Use TYPE I (normal) tape only.

Remote

The remote does not function.

- Replace all the batteries in the remote with new ones if they are weak.
 - Make sure that you are pointing the remote at the remote sensor on the player.
 - Remove any obstacles in the path of the remote and the player.
 - Make sure the remote sensor is not exposed to strong light such as direct sunlight or fluorescent lamp light.
 - Move closer to the player when using the remote.
-

After trying the above remedies, if you still have problems, unplug the AC power cord and remove all the batteries. After all the indications in the display disappear, plug the AC power cord and insert the batteries again. If the problem persists, please consult your nearest Sony dealer.

Maintenance

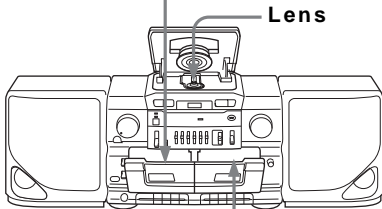
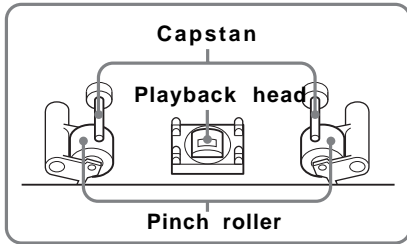
Cleaning the lens

If the lens becomes dirty, it may cause a skipping of sound during CD operation. Clean with a commercially available blower.

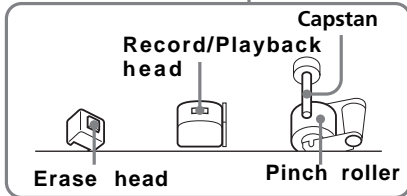
Cleaning the tape heads and tape path

Wipe the heads, the pinch roller and the capstans with a cleaning swab slightly moistened with cleaning fluid or alcohol after every 10 hours of operation for optimum playback and recording quality. To make the best possible recording, however, we recommend that you clean all surfaces over which tape travels before each recording.

Deck A



Deck B



After cleaning, insert a tape when the areas cleaned are completely dry.

Demagnetizing the tape heads

After 20 to 30 hours of use, enough residual magnetism will have built up on the tape heads to begin to cause loss of high frequency sound and hiss. At this time, you should demagnetize the heads and all metal parts in the tape path with a commercially available tape head demagnetizer.

Cleaning the cabinet

Clean the cabinet, panel and controls with a soft cloth slightly moistened with a mild detergent solution. Do not use any type of abrasive pad, scouring powder, or solvent, such as alcohol or benzine.

Specifications

CD player section

System

Compact disc digital audio system

Laser diode properties

Material: GaAlAs

Wave length: 780 nm

Emission duration: Continuous

Laser output: Less than 44.6 μ W

(This output is the value measured at a distance of about 200 mm from the objective lens surface on the optical pick-up block with 7 mm aperture.)

Spindle speed

200 r/min (rpm) to 500 r/min (rpm) (CLV)

Number of channels

2

Frequency response

20 - 20 000 Hz $\pm 0/-1.5$ dB

Wow and flutter

Below measurable limit

Radio section

Frequency range

FM	Saudi arabia	87.6 - 107 MHz
	Other countries	87.6 - 108 MHz
MW		530 - 1 605 kHz
SW1		2.3 - 7 MHz
SW2		7 - 22 MHz

IF

FM: 10.7 MHz

SW/MW: 455 kHz

Antennas

FM/SW: Telescopic antenna

MW: Built-in ferrite bar antenna

Cassette-corder section

Recording system

4-track 2 channel stereo

Fast winding time

Approx. 120 sec. with Sony cassette C-60

Frequency response

TYPE I (normal): 80 - 12 500 Hz

General

Speaker

Woofer: 10 cm (4 in.) dia., 4 ohms, cone type (2)

Tweeter: 5 cm (2 in.) dia.,

Outputs

Headphones jack (stereo minijack)

For 16 - 68 Ω impedance headphones

Maximum power output

24 W

Power requirements

For CD radio cassette-corder:

110 - 120, 220 - 240 V AC selectable, 50/60 Hz

12 V DC, 8 R20 (size D) batteries

DC IN 12V jack

For remote control:

3 V DC, 2 R6 (size AA) batteries

Power consumption

AC 47 W

Battery life

For CD radio cassette-corder:

FM recording

Sony R20P: approx. 4 h

Sony alkaline LR20: approx. 9 h

Tap playback

Sony R20P: approx. 2 h

Sony alkaline LR20: approx. 4 h

CD playback

Sony R20P: approx. 1.5 h

Sony alkaline LR20: approx. 3 h

Dimensions

Approx. 761 \times 245 \times 258 mm (w/h/d)

(30 \times 9 $\frac{3}{4}$ \times 10 $\frac{1}{4}$ inches) (incl. projecting parts)

Mass

Approx. 9.5 kg (20 lb. 15 oz) (incl. batteries)

Supplied accessories

AC power cord (1)

Remote control (1)

Design and specifications are subject to change without notice.

Optional accessories

Sony MDR headphones series

Index

A

Audio emphasis 18

B

BALANCE 18

Batteries

for player 20

for remote 20

C

CD player 14

Choosing power sources 19

Cleaning

cabinet 26

lens 26

tape heads and tape path
26

Connecting

AC power cord 19

optional components 21

Creating your own program 16

D, E, F

Demagnetizing the tape heads
26

Display 14

Dubbing 12

G, H

GRAPHIC EQUALIZER 18

I, J, K

Improving broadcast reception

7

L

Listening to the radio 6

Locating a specific track 14

M, N, O

MEGA BASS 18

P, Q

PA system 17

Playing

a CD 4

a tape 8

tracks repeatedly 15

Power sources 19

PRESET MODE 18

Program Play 16

Public address system

See PA system.

R

Recording on a tape 10

Repeat Play 15

S

Selecting

audio emphasis 18

tracks 5

Setting up 19

T

Troubleshooting 24

U

Using the display 14

V, W, X, Y, Z

VOLTAGE SELECTOR 20

اختيار

معززات الصوت ١٧

المسارات ٥

إزالة الخاصية المغناطيسية من رؤوس الشريط ٢٦

إستخدام شاشة العرض ١٤

الإستماع للراديو ٦

الإستماع المتكرر ١٥

الإستماع المبرمج ١٦

إنشاء برامجك الخاصة ١٦

بطاريات

للمشغل ٢٠

لوحة التحكم عن بعد ٢٠

تحديد مسار معين ١٤

تحسين إستقبال البث ٧

تشغيل

الإسطوانة ٤

الشريط ٨

المسارات بصورة متكررة ١٥

التسجيل على الشريط ١٠

تركيب النظام وتجهيته ١٩

تنظيف

صندوق الجهاز ٢٦

العدسات ٢٦

رؤوس الشريط وطريق الشريط ٢٦

التوازن ١٨ BALANCE

توصيل

سلك التيار المتردد ١٩

الأجهزة الإختيارية ٢١

شاشة العرض ١٤

الصوت الجهير ١٨ MEGA BASS

مشغل الأسطوانات ١٤

مصادر الطاقة ١٩

معالجة الأعطال ٢٤

مفتاح اختيار الفولطية

٢٠ VOLTAGE SELECTOR

الموازن التخطيطي GRAPHIC

١٨ EQUALIZER

مؤثر الصوت ١٨

نسخ الصوت ١٢

نظام للخطب العامة ١٧

نظام للخطب العامة

أنظر نظام الخطب العامة.

وضع إعادة التهيئة PRESET MODE

١٨

المواصفات

قسم مشغل الاسطوانات

النظام

نظام صوتي رقمي للأسطوانات
خصائص أشعة الليزر

المادة: GaAlAs

طول الموجة: ٧٨٠ نانومتر

دوام الارسال: مستمر

خرج الليزر: أقل من ٦، ٤٤ مايكرو وات

(تم قياس قيمة الاخراج هذه عن بعد ٢٠٠ مم من سطح العدسة الشبكية
الموجودة على كتلة اللاقطعة البصرية بفتح المصراع بمقدار ٧ مم.)

سرعة عمود الدوران

٢٠٠ دورة/ الدقيقة (rpm) إلى ٥٠٠ دورة/ الدقيقة (CLV) (rpm)

عدد القنوات

٢

الاستجابة للترددات

٢٠ - ٢٠٠٠٠ هيرتز+ سطر/ - ١,٥ ديسيبل

الإرتعاش والتفاوت في طبقة الصوت

أقل من المستوى الممكن قياسه

قسم الراديو

نطاق الترددات

FM	المملكة العربية السعودية الدول الأخرى	٦, ٨٧ - ١٠٧ ميغاهرتز ٦, ٨٧ - ١٠٨ ميغاهرتز
MW		٥٣٠ - ١٦٠٥ كيلوهرتز
SW1		٢, ٣ - ٧ ميغاهرتز
SW2		٧ - ٢٢ ميغاهرتز

عندما تكون

الموجة المحلية FM: ٧, ١٠ ميغاهرتز

الموجات SW/MW: ٥٥٠ كيلوهرتز

الهوائيات:

الموجة المحلية/ القصيرة FM/SW: هوائي تلسكوبي

الموجة المتوسطة MW: هوائي داخلي مكون من قضيب حديدي

قسم مسجل الكاسيتات

نظام التسجيل

نظام أربعة مسارات بقتاتين للصوت الستيريو

سرعة لف الشريط

تقريباً ١٢٠ ثانية باستخدام الشريط C-60 من طراز سوني

إستجابة الترددية

النوع I TYPE (العادي): ٨٠ - ١٢٥٠٠ هرتز

بصورة عامة

السماعة

مجهز الترددات الخفيفة: القطر ١٠ سم، المقاومة ٤ أوم، نوع مخروطي (٢)

مجهز الترددات العالية: القطر ٥ سم،

مقاييس الخرج

مقاييس سماعات الرأس (مقاييس ستيريو صغير)

سماعات الرأس التي مقاومتها تتراوح بين ١٦ - ٦٨ أوم

أقصى خرج للطاقة

٢٤ وات

متطلبات الطاقة

لمشغل الاسطوانات، الراديو ومسجل الكاسيتات:

تيار متردد قابل للإختيار ١١٠-١٢٠، ٢٢٠-٢٤٠ فولت، ٦٠/٥٠ هرتز

١٢ فولت تيار مباشر، عدد ٨ بطاريات فئة R20 (الحجم D)

المقاس DC IN 12V

لوحة التحكم عن بعد:

تيار مباشر ٣ فولت، بطاريتان من النوع R6 (الحجم AA)

إستهلاك الطاقة

تيار متردد ٤٧ وات

عمر البطارية

لمشغل الاسطوانات، الراديو ومسجل الكاسيتات:

تسجيل الموجة FM

البطارية R20P طراز سوني: ٤ ساعات تقريباً

البطارية القلوية LR20 طراز سوني: ٩ ساعات تقريباً

الاستماع للشريط

البطارية R20P طراز سوني: ساعتين تقريباً

البطارية القلوية LR20 طراز سوني: ٤ ساعات تقريباً

الاستماع للاسطوانات المحكّمة

البطارية R20P طراز سوني: ساعة ونصف تقريباً

البطارية القلوية LR20 طراز سوني: ٣ ساعات تقريباً

الأبعاد

(٧٦١ × ٢٥٨ × ٢٥) (عرض/ ارتفاع/ عمق) مم تقريباً

(بما فيها الأجزاء الإسقاطية)

الكتلة

٩,٥ كجم تقريباً (بما فيها البطاريات)

الكماليات المزودة

سلك التيار المتردد (عدد ١)

وحدة تحكم عن بعد (عدد ١)

التصميم والمواصفات عرضة للتغيير دون إشعار.

الكماليات الاختيارية

مجموعة سماعات الرأس MDR طراز سوني

إزالة الخصائص المغناطيسية عن رؤوس الشريط

بعد ٢٠ إلى ٣٠ ساعة من الاستخدام، تتخلف على رؤوس الشريط شحنة مغناطيسية ينتج عنها بداية لفقدان الترددات العالية للصوت وتولد أصوات مزعجة. عند حدوث مثل ذلك، يجب إزالة المغناطيسية عن رؤوس الشريط وجميع الأجزاء المعدنية التي يمر بها الشريط باستخدام مزبل مغناطيسية رؤوس الشريط المتوفرة في الأسواق.

تنظيف الصندوق الخارجي للمشغل

استخدم قطعة قماش ناعمة مبللة قليلاً بمحلول من مسحوق غسيل معتدل لتنظيف الهيكل واللوحة وأزرار التحكم. تجنب استخدام أي نوع من مساحيق التنظيف الكاشطة، أو المحاليل الحادة كالكحول أو البنزين.

الصيانة

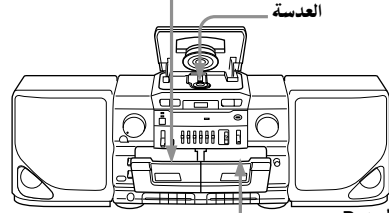
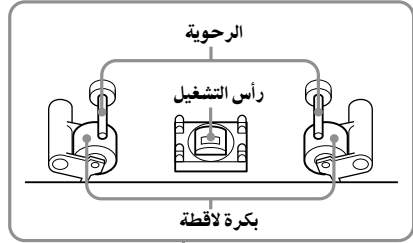
تنظيف العدسات

يحدث تخطي للصوت أثناء الاستماع لاسطوانة محكمة عندما تكون العدسة متسخة. حافظ على نظافة العدسة باستخدام نافخة التنظيف المتوفرة تجارياً.

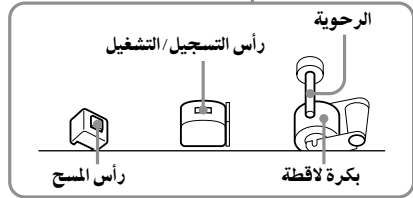
تنظيف رؤوس الشريط وطريق الشريط

لضمان الحصول على درجة تشغيل وتسجيل قصوى من الجهاز، استخدم ممسحة مبللة قليلاً بمحلول غسيل أو كحول لمسح الرؤوس والبكرة اللاقطة والرحوية بعد كل ١٠ ساعات من التشغيل. ومع ذلك، ولضمان الحصول على أفضل النتائج من عملية التسجيل فإننا ننصحك بتنظيف جميع الأسطح التي يمر بها الشريط قبل كل عملية تسجيل.

الجهاز A



الجهاز B



بعد الانتهاء من عملية التنظيف، أدخل شريطاً بعد التأكد من جفاف الأماكن التي تم تنظيفها بالكامل.

لا تؤدي وحدة التحكم عن بعد وظيفتها.

- استبدل جميع البطاريات في وحدة التحكم عن بعد بأخرى جديدة إذا كانت شحنتها ضعيفة.
- تأكد من توجيه وحدة التحكم عن بعد باتجاه مستشعر الإشارات على المشغل بصورة صحيحة.
- أبعد أية عوائق موجودة في مسار الإشارات بين وحدة التحكم عن بعد والمشغل.
- تأكد من عدم تعريض مستشعر الإشارات في المشغل، لضوء قوي مثل ضوء أشعة الشمس المباشرة أو لضوء المصباح الفلوري.
- اقترب قليلا من المشغل عند استخدام وحدة التحكم عن بعد.

إذا استمر الجهاز بالعمل بصورة غير سليمة بعد محاولتك للافعال التصحيحية المذكورة أعلاه، إفصل سلك التيار المتردد وانزع جميع البطاريات. بعد إختفاء جميع المؤشرات عن شاشة العرض، أعد توصيل سلك التيار المتردد وأدخل البطاريات مرة أخرى. إذا استمرت المشاكل في الحصول، قم باستشارة أقرب موزع لسوني Sony لديك.

لا يمكن توصيل الطاقة بالجهاز.

- قم بتوصيل سلك التيار المتردد في مأخذ التيار الحائطي بإحكام.
- تحقق بأنه قد تم إدخال البطاريات بصورة صحيحة.
- استبدل جميع البطاريات بأخرى جديدة إذا كانت ضعيفة.
- لا يمكنك توصيل الطاقة بالمشغل باستعمال وحدة التحكم عن بعد عند تشغيل المشغل على طاقة البطاريات.

لا يمكن سماع الصوت.

- اضغط زر الوظائف FUNCTION على الوضع الذي ترغب تشغيل الجهاز فيه.
- اضغط مستوى الصوت.
- أفضل سماعات الرأس عند الاستماع عبر السماعات.

مشغل الاسطوانات المحكمة

لا يمكن تشغيل الاسطوانات أو تومض العبارة "no disc" في شاشة العرض بالرغم من وجود الاسطوانات في مكانها.

- تأكد من أن حجيرة الاسطوانات مغلقة.
- ضع الاسطوانات مع جعل العلامة إلى أعلى.
- نظف الاسطوانات.
- إنزع الاسطوانات و اترك حجيرة الاسطوانات مفتوحة لمدة ساعة تقريبا لتجفيف الرطوبة المكثفة.
- اضغط زر الوظائف FUNCTION إلى وضع الاسطوانات CD.

يحدث تقطع في الصوت.

- اخفض مستوى الصوت.
- نظف الاسطوانات، أو استبدل الاسطوانات إذا كانت تالفة تماماً.
- ضع المشغل في مكان خالي من الاهتزاز.
- قم بتنظيف العدسة باستعمال المنفاخ المتوفر في السوق.

الصوت ضعيف أو جودته رديئة.

- استبدل جميع البطاريات بأخرى جديدة إذا كانت ضعيفة.
- أبعاد الجهاز عن التلفزيون.
- يمكن سماع تشويش عند استخدام وحدة التحكم عن بعد أثناء الاستماع لوجات الراديو المتوسطة MW. هذا أمر لا يمكن تفاديه.

الصورة على جهاز تلفزيونك أصبحت غير مستقرة.

- إذا كنت تستمع لبرامج الموجة المحلية FM بالقرب من تلفزيون بهوائي داخلي، أبعاد الجهاز عن التلفزيون.

مشغل الأشرطة

لا يتحرك الشريط عند ضغطك لاي زر تشغيلي.

- أقل حجيرة الشريط بإحكام.

لا يؤدي زر التسجيل ● REC وظيفته/ لا يعمل الشريط.

- تأكد من أن جزء التأمين البارز للشريط موضوع في مكانه.
- تأكد من ضبط زر الوظائف FUNCTION في وضع الشريط "TAPE" أو نسخ الصوت "DUBBING".

لم يتم مسح الشريط بالكامل.

- نظف رأس المسح (أنظر الصفحة ٢٦).
- استبدل جميع البطاريات بأخرى جديدة إذا كانت ضعيفة.
- تحاول الاستماع الى مصدر الصوت المسجل على الشريط TYPE II (الموضع عالي) أو على الشريط TYPE IV (المعدني) باستعمال هذا الجهاز. قم بتسجيل مصدر الصوت على الشريط TYPE I (العادي) والاستماع اليه.

لا يمكن التسجيل على الشريط.

- تأكد من وضع الشريط بصورة صحيحة.
- تأكد من وجود لسان منع المسح من التسجيلات العفوية في مكانه.

الصوت ضعيف.

جودة الصوت رديئة.

- نظّف الرؤوس، البكرة اللاقطة، والرحوية (أنظر الصفحة ٢٦).
- قم بإزالة الخصائص المغناطيسية شريط إزالة المغناطيسية (أنظر الصفحة ٢٦).

أصبح الصوت مشوشاً.

- تم استخدام النوع TYPE II (الوضع العالي) أو النوع TYPE IV (المعدني). استخدم النوع TYPE I (العادي) فقط.

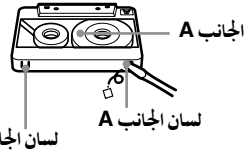
اسطوانات موسيقية مشفرة مع تقنيات حماية حقوق الاستنساخ

تم تصميم هذا المنتج لعزف الاسطوانات التي تتوافق مع قياسات الاسطوانات المدمجة (CD). حديثاً، تم تسويق اسطوانات موسيقية متعددة مشفرة مع تقنيات حماية حقوق الاستنساخ من قبل بعض شركات التسجيل. يرجى الاطلاع على هذه الاسطوانات. لأن بعض هذه الاسطوانات لا تتوافق مع قياسات CD وقد لا يمكن عزفها بواسطة هذا المنتج.

إذا كانت لديك أية إستفسارات أو مشاكل متعلقة بهذا المشغل، يرجى استشارة أقرب مزود لمنتجات سوني لديك.

ملاحظات حول الكاسيتات (الشرائط)

- قم بكسر لسان منع مسح التسجيلات للجانب A أو الجانب B لتتفادى التسجيلات العنوية على الشريط. وإذا رغبت بإعادة التسجيل على الشريط بعد ذلك، قم بتغطية فجوة اللسان الذي تم كسره بشرائط لاصق.



- لا ينصح باستخدام الاشرطة التي تكون مدتها الزمنية أكثر من ٩٠ دقيقة، إلا إذا كانت طريقة التسجيل عليها أو الاستماع لها طويلة ومتواصلة.

ملاحظات حول الأسطوانات

- قبل التشغيل، قم بتنظيف الأسطوانة باستخدام قطعة قماش نظيفة. إمسح الاسطوانة بدء من المركز ومنتجها ناحية الحواف.



- لا تستخدم أنواع المحاليل الحادة كالبنزين، الثنر، أو المنظفات المتوفرة تجارياً، أو أتاييب الرش المضادة للإستاتيكية المخصصة لتنظيف الاسطوانات التقليدية المصنوعة من مادة الفينيل.
- لا تعرض الأسطوانة لأشعة الشمس المباشرة أو مصادر الحرارة كوضعها أمام مخارج الهواء الحار، ولا تتركها داخل سيارة مصفوفة تحت أشعة الشمس المباشرة، لأن درجة الحرارة داخل السيارة ستكون مرتفعة جداً.
- لا تلتصق أية ورقة أو ملصق على الأسطوانة، ولا تتسبب في خدش سطحها.
- إحتفظ بالأسطوانة داخل علبتها بعد الإستماع إليها. قد يحدث خطأ أو تخطي في اختيار المسارات إذا كانت أسطح الاسطوانات مخدوشة أو عليها آثار بصمات أصابع.

تنبيهات احتياطة

حول السلامة

حول مكان الوضع

- لا تترك المشغل في مكان قريب لمصادر الحرارة، أو في مكان تكون فيه أشعة الشمس مباشرة، أو الأماكن المعرضة لغبار شديد، أو أماكن معرضة للصدمات الميكانيكية.
- لا تضع المشغل على أسطح مائلة أو على أماكن غير مستقرة.
- لا تضع أي شيء في نطاق ١٠ مم من جانب صندوق المشغل. يجب عدم إعاقة فتحات التهوية للمشغل لكي يعمل بطريقة جيدة ولا طالة عمر مكوناته.
- إذا اضطرت إلى ترك الجهاز في سيارة مصفوفة تحت ضوء الشمس، تأكد من إختيار مكان بحيث لا يكون المشغل فيه معرض لأشعة الشمس المباشرة.
- يتم إستخدام مغناطيس قوي في سماعات الجهاز، لذلك يرجى الاحتفاظ ببطاقات الاعتماد والساعات الزنبركية، بعيداً عن المشغل تلافياً للتلف الممكن من المغناطيس.

حول التشغيل

- إذا تم نقل المشغل من مكان بارد إلى آخر دافئ مباشرة، أو تم وضعه في غرفة رطبة جداً، يمكن للرطوبة أن تتكثف فوق العدسة الموجودة داخل مشغل الأسطوانات. عند حدوث ذلك، لن يعمل المشغل بصورة جيدة. في هذه الحالة، إنزع الأسطوانة وانتظر لمدة ساعة تقريباً حتى تتبخر الرطوبة.
- إذا لم يتم إستعمال المشغل لفترة طويلة، أضبطه في وضع التشغيل للإستعمال لإحمائه بضع دقائق قبل إدخال كاسيت.

حول مصادر الطاقة

- للتشغيل بطاقة التيار المتردد، تأكد من أن الفولطية التشغيلية للجهاز مطابقة للفولطية السارية في منطقتك (أنظر "المواصفات") كما يجب إستخدام سلك التيار المتردد المزود وتجنب استخدام أي أنواع أخرى. مفتاح اختيار الفولطية موجود في الجانب الخلفي للمشغل.
- لا يتم فصل الجهاز عن مصدر التيار المتردد (الرئيسي)، طالما كان موصلاً بمأخذ التيار الحائطي، حتى وإن كان الجهاز نفسه في وضع الإيقاف.
- للتشغيل بالبطاريات، إستخدم ثمان بطاريات من النوع R20 (الحجم D).
- في حالة عدم إستعمال البطاريات، إنزعها لتلافي التلف المحتمل نتيجة تسرب سائل البطارية أو تصدئها.
- لوحة الاسم التي توضح الفولطية التشغيلية، إستهلاك الطاقة وغيرها، موجودة بخلف الجهاز.

توصيل الأجهزة الاختيارية

ملاحظة
قم بتوصيل الاسلاك بإحكام لتلافي أي أعطال تشغيلية.

إرشاد مفيد

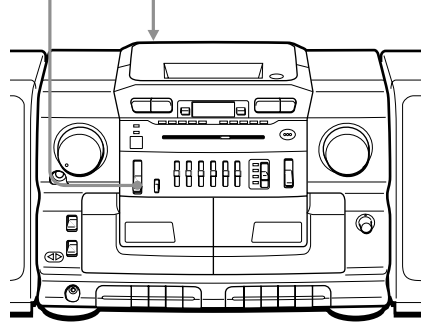
يمكنك تسجيل صوت الجهاز الموصل مع المشغل. أدخل شريط فارغ، ثم اضغط الزر ● الموجود في الجهة B.

يمكنك الإستمتاع بصوت التلفزيون أو مشغل كاسيتات الفيديو عند صدورها من سماعات المشغل.

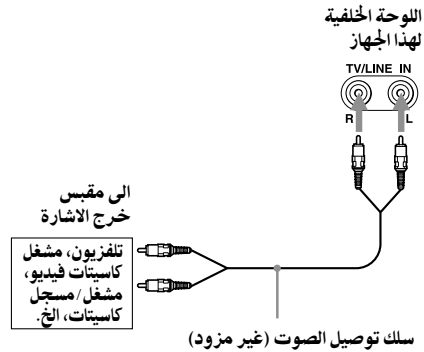
قبل إجراء التوصيلات، تأكد من إيقاف الطاقة عن الجهازين، بعد ذلك اضغط زر الوظائف FUNCTION على وضع الشريط • إيقاف الإسطوانة/ الراديو TAPE•CD/ RADIO OFF.

للمزيد من التفاصيل، راجع دليل التعليمات الخاص بالأجهزة المراد توصيلها.

FUNCTION TV/LINE IN



1 قم بتوصيل جهاز آخر مع المشغل.



2 اضغط زر الوظائف FUNCTION على وضع التلفزيون/ أدخل الخط TV/LINE IN، ثم شغل الجهاز الموصل.

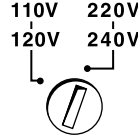


توصيل سلك التيار المتردد

أدخل أحد أطراف قابس سلك التيار المتردد المزود، في مقبس دخل التيار المتردد AC IN الموجود بخلف الجهاز، والطرف الآخر في مأخذ التيار بالحائط.

ضبط الفولطية

تأكد من ضبط مفتاح اختيار الفولطية VOLTAGE SELECTOR (بخلف الجهاز) مع جهد الطاقة الساري محلياً.



VOLTAGE
SELECTOR

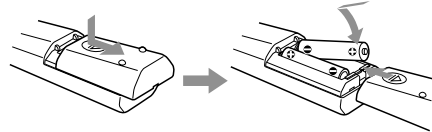
إرشاد مفيد

فقط للزبائن المزودين بمعدّل قابس سلك التيار المتردد:

إستخدم معدّل قابس سلك التيار المتردد إذا لم يتطابق قابس سلك التيار المتردد مع مقبس مأخذ التيار.



إدخال البطاريات في وحدة التحكم عن بعد



أدخل بطاريتين من النوع R6 (الحجم AA) (غير مزودة).

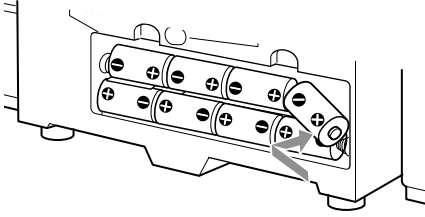
إستبدال البطاريات

مع الإستخدام العادي، يستمر عمر خدمة البطاريات لسته أشهر تقريباً. إذا توقفت وحدة التحكم عن بعد من تشغيل الجهاز، إستبدل البطاريات جميعها بأخرى جديدة.



استخدام المشغل بالبطاريات

أدخل ثمان بطاريات من النوع R20 (الحجم D) (غير مزودة) في حجيرة البطاريات. لإستخدام المشغل بالبطاريات، أفضل سلك التيار المتردد



استبدال البطاريات

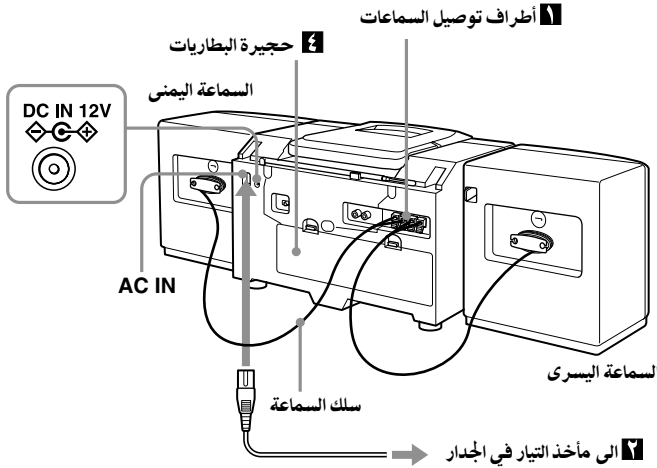
إستبدل البطاريات عندما يصبح ضوء مؤشر التشغيل/البطاريات OPR/BATT خافتاً أو عندما يتوقف المشغل عن التشغيل. إستبدل جميع البطاريات بأخرى جديدة. قبل القيام بإستبدال البطاريات، تأكد من نزع الأسطوانات من المشغل.

ملاحظات

- قبل استبدال البطاريات بأخرى، تأكد من إخراج الاسطوانة CD من المشغل.
- عند استعمال المقيس DC IN 12V، لا تعتمد الى توصيل سلك الطاقة بمقيس ولاعة السجائر.

اختيار مصادر الطاقة

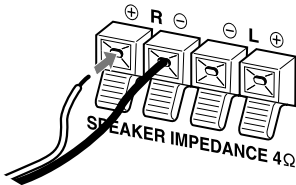
يمكنك استعمال التيار المتردد أو البطاريات كمصدر للطاقة.



إرشادات مفيدة

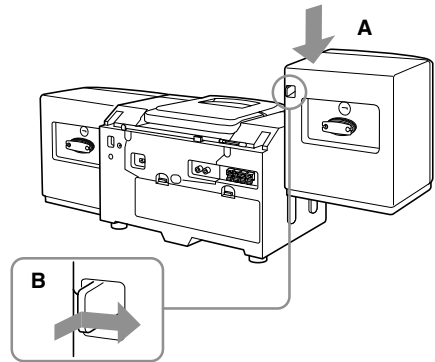
- لفصل السماعات، قم بتحرير مشبك السماعة (أنظر الجزء B علي الشكل)، ثم إزلق صندوق السماعة بكامل الشوط للأعلى وبعيدا عن المشغل.
- قم بتوصيل السماعات المزودة مع هذا المشغل. قد تحدث أعطال تشغيلية إذا قمت بتوصيل سماعات أو أجهزة أخرى مع هذا الجهاز.

قم بتوصيل الأسلاك السوداء إلى طرف القطب السالب (-) والأسلاك الحمراء مع طرف القطب الموجب (+)، أسلاك السماعة اليمنى مع أطراف الجزء R وأسلاك السماعة اليسرى مع أطراف الجزء L.



تركيب وتوصيل السماعات

حاذي بين الأخاديد ثم إزلق صندوق السماعة للأسفل حتى تستقر في الوضع A.

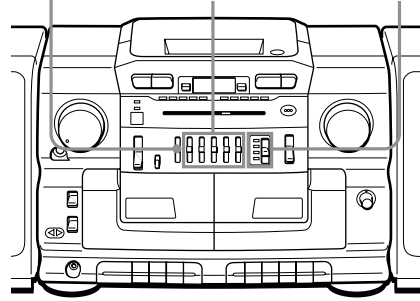


اختيار مؤثر الصوت

(DYNAMIC SOUND SYSTEM)

يمكنك اختيار مؤثر الصوت للصوت الذي تقوم بالاستماع إليه.

BALANCE 5 BAND GRAPHIC EQUALIZER PRESET MODE



إستخدام وضع إعادة التهيئة PRESET MODE

اضبط مؤشر وضع إعادة التهيئة PRESET MODE عند وضع الصوت الذي ترغبه.

استخدم	ل
MANUAL	اختيار الصوت بإستخدام الموازن التخطيطي ذي الخمس نطاقات موجية 5 BAND GRAPHIC EQUALIZER.
DISCO	الحصول على أصوات واضحة وقوية بتعزيز النطاقات الصوتية العالية والمنخفضة المدى.
PARTY	الحصول على أصوات خفيفة وصافية بتعزيز النطاقات الصوتية العالية والمتوسطة المدى.
LIVE	الحصول على الأصوات الوجودية الواسعة النطاقات.

ضبط توازن الصوت للسماعتين اليمنى واليسرى

إستخدم زر التوازن BALANCE.

ملاحظة

عند اختيار الموازن التخطيطي ذو الخمس نطاقات موجية 5 BAND GRAPHIC EQUALIZER، تأكد من ضبط مؤشر إعادة التهيئة PRESET MODE إلى الوضع العادي MANUAL. لن يعمل الموازن التخطيطي في المواضع الأخرى.

إستخدام الموازن التخطيطي ذي الخمس نطاقات موجية

إزلق أصابع النطاقات الموجية الخمس للموازن التخطيطي 5 BAND GRAPHIC EQUALIZER لإختيار مؤثر الصوت الذي ترغبه.

استخدم	لاختيار
MEGA BASS	الصوت الجهير العميق
400 Hz	صوت الحديث، الذبذبات المتوسطة للأجهزة الموسيقية
1 kHz	الوجود الصوتي
4 kHz	السطوع الصوتي
10 kHz	الأصوات بالطبقات العالية أو لتقليص تشويش الذبذبات العالية/ ضوضاء الشريط

استخدامه كنظام للخطب العامة

١ قم بتوصيل المايكروفون في المقبس MIX MIC واضبطه على وضع التشغيل إذا كان مجهزاً بفتح لتشغيل الطاقة.

٢ اضبط زر الوظائف FUNCTION على وضع التلفزيون/ دخل الخط TV/LINE IN.

٣ قم بالغناء أو التحدث في المايكروفون واضبط مستوى الصوت.

ملاحظات

- تميل ظاهرة التغذية الإسترجاعية (العويل) إلى الحدوث عند إستخدام مايكروفون متميز بوظيفة الصدى الصوتي.
- عند حدوث التغذية الإسترجاعية (العويل)، اخفض مستوى الصوت أو ابعد المايكروفون عن السماعات.

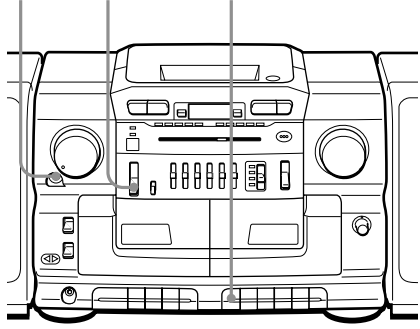
إرشاد مفيد

يمكنك دمج أصوات الأسطوانة أو الراديو وتسجيلها بإضافة صوتك أو أصوات أخرى عبر المايكروفون.

التسجيل عبر المايكروفون / إستخدام المشغل كنظام للخطب العامة

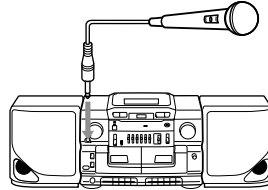
يمكنك التسجيل بإستخدام مايكروفون (غير مزود) أو إستخدام المشغل كنظام للخطب العامة.

MIX MIC FUNCTION ●



التسجيل عبر المايكروفون

١ قم بتوصيل المايكروفون في المقبس MIX MIC واضبطه على وضع التشغيل إذا كان مجهزاً بفتح لتشغيل الطاقة.



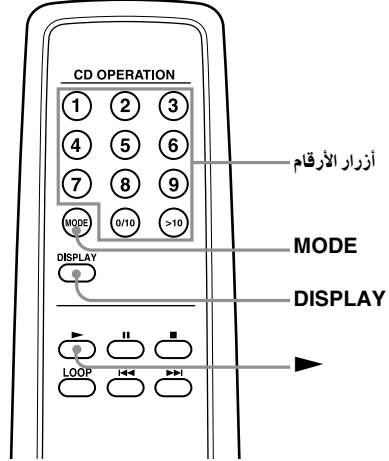
٢ اضبط زر الوظائف FUNCTION على وضع الشريط • إيقاف الأسطوانة/ الراديو TAPE•CD/ RADIO OFF.

٣ أدخل شريط فارغ في الجهة B واضغط الزر ● لبدء التسجيل.

إنشاء برنامجك الخاص

(الاستماع المبرمج)

يمكنك تنظيم وإعادة ترتيب الاستماع الى ٢٠ مسارا على الأستواناتة.



- ١ اضبط زر الوظيفة FUNCTION على وضع الأستواناتة CD.
- ٢ إضغظ زر وضع التشغيل PLAY MODE حتى تظهر العبارة "PGM" على شاشة العرض.
- ٣ إضغظ الزر \lll أو الزر \ggg من ثم إضغظ زر DISPLAY/ENTER للمسارات التي ترغب ببرمجتها وبالترتيب المرغوب.
- ٤ إضغظ الزر \lll.

لإلغاء وضع الاستماع المبرمج

إضغظ زر الوضع MODE حتى اختفاء العبارة "PGM" من شاشة العرض.

للتحقق من ترتيب المسارات قبل الإستماع إليها

إضغظ زر العرض DISPLAY.

في كل مرة تضغظ فيها هذا الزر، يظهر رقم المسار بالترتيب المبرمج.

لتغيير البرنامج الحالي

إضغظ الزر ■ مرة واحدة في وضع الايقاف ومرتين إذا كانت الأستواناتة في حالة تشغيل. سيتم مسح البرنامج الحالي. قم بإنشاء برنامجك الجديد الآن متبعاً خطوات البرمجة.

إرشادات مفيدة

- يقوم الجهاز بحفظ بيانات البرمجة التي أدخلتها في ذاكرة الجهاز ليتيح لك فرصة الاستماع الى البرنامج الذي أعدته مرة ثانية، يستمر الوضع هكذا الى أن تقوم بفتح حجيرة الأستواناتات أو تحويل زر الوظائف FUNCTION الى وضع آخر.
- يتم مسح البرنامج الحالي إذا قمت بتحويل زر الوظائف FUNCTION الى وضع آخر أو فتحت حجيرة الأستواناتة.
- يمكنك تسجيل برنامجك الخاص. بعد إنشاءك للبرنامج، ادخل شريطاً فارغاً في الجهة B ثم إضغظ الزر ● الموجود في الجهة B لبدء التسجيل.

١ اضبط زر الوظائف FUNCTION على وضع الأستواناتة CD على المشغل.

٢ إضغظ زر الوضع MODE حتى تظهر العبارة "PGM" على شاشة العرض.

٣ إضغظ أزرار الأرقام للمسارات التي ترغب ببرمجتها وبترتيب الاستماع المرغوب.

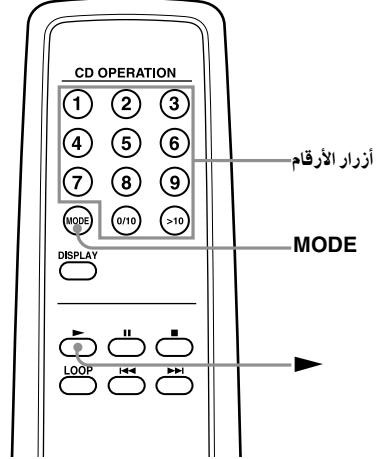
ترتيب الاستماع



٤ إضغظ الزر ► لتبدء الإستماع المبرمج.

الإستماع للمسارات بصورة متكررة (الإستماع المتكرر)

يمكنك الإستماع للمسارات بصورة متكررة في الوضع العادي، العشوائي أو المبرمج (أنظر الصفحة ١٦).



إرشاد مفيد

إضغط وإحتفظ بضغط زر التشغيل الحلقي LOOP على وحدة التحكم عن بعد أثناء الإستماع لتكرار جزء مختار من الأسطوانة. عند تحريك لزر التشغيل الحلقي LOOP، يعود المشغل إلى وضع التشغيل العادي.

باستعمال المشغل
قم باستعمال الزر PLAY MODE بدلاً من الزر MODE، و «<<<» أو «>>>» بدلاً من الأزرار الرقمية لاختيار المسار، والزر «>>>» بدلاً من الزر «>>>»

لإلغاء الاستماع المتكرر

إضغط زر الوضع MODE حتى تختفي العبارة "REP" من شاشة العرض.

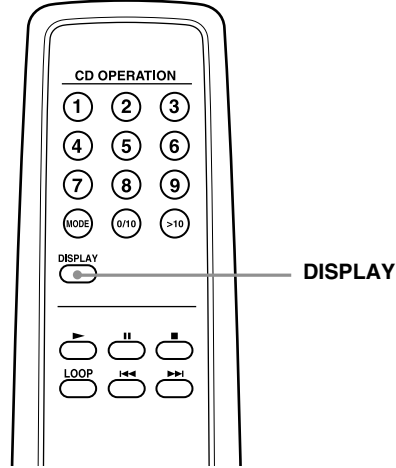
١ إضبط زر الوظائف FUNCTION على وضع الأسطوانة CD على المشغل.

٢ قم بتنفيذ العمليات التالية:

تكرار	قم بتنفيذ كما يلي
مسار واحد	١ احتفظ بالزر MODE مضغوطاً حتى يظهر المؤشر "REP 1". ٢ اضغط الأزرار الرقمية لاختيار المسار المراد الاستماع اليه بصورة متكررة. ٣ اضغط الزر «>>>»
جميع المسارات	١ احتفظ بالزر MODE مضغوطاً حتى يظهر المؤشر "REP ALL". ٢ اضغط الزر «>>>»
المسارات بترتيب عشوائي	١ احتفظ بالزر MODE مضغوطاً حتى يظهر المؤشر "SHUF REP". ٢ اضغط الزر «>>>»
المسارات المبرمجة	١ احتفظ بالزر MODE مضغوطاً حتى يظهر المؤشر "PGM REP". ٢ قم ببرمجة المسارات (راجع الخطوة ٣ في صفحة ١٦). ٣ اضغط الزر «>>>»

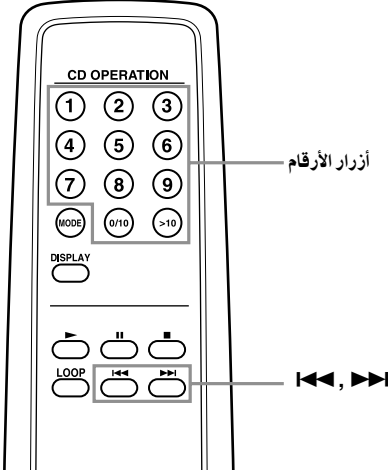
استخدام شاشة العرض

يمكنك التحقق من معلومات الأسطوانة باستخدام شاشة العرض.



تحديد مسار معين

يمكنك بسرعة تحديد أي مسار باستخدام أزرار الأرقام. كما يمكنك أيضاً إيجاد نقطة محددة في المسار بينما تكون الأسطوانة في وضع التشغيل.

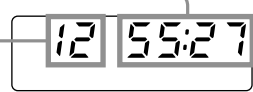


التحقق من مجموع أرقام المسارات وزمن التشغيل

اضغط الزر DISPLAY (الزر DISPLAY/ENTER الموجود على وحدة التحكم عن بعد) بينما يكون الجهاز في وضع التوقف.

زمن الاستماع الكلي

عدد المسارات الكلي



التحقق من الزمن المتبقي

إضغط زر العرض DISPLAY (أو زر العرض/الإدخال DISPLAY/ENTER الموجود في المشغل) بينما تكون الأسطوانة في وضع التشغيل.

رقم المسار الحالي وزمن التشغيل

رقم المسار الحالي والزمن المتبقي للمسار الحالي*

عدد المسارات الباقية والزمن المتبقي للأسطوانة

* يظهر الزمن المتبقي للمسارات التي تزيد أرقامها عن الرقم ٢٠ كما يلي ":-:-".

التحديد

اضغط

مسار معين مباشرة زر رقم المسار.

نقطة أثناء الإستماع الزر >>> (للتقديم) أو الزر <<< (للترجيع) للصوت في أثناء الإستماع واحتفظ به مضغوطة حتى يتم حصولك على النقطة.

نقطة أثناء مراقبة

الزر >>> (للتقديم) أو الزر <<< (للترجيع) شاشة العرض في وضع التوقف المؤقت واحتفظ به مضغوطة حتى يتم حصولك للنقطة.

ملاحظة

لا يمكنك تحديد مسار معين عند وميض المؤشرات "SHUF REP" أو "PGM" على شاشة العرض. قم بإيقاف المؤشر بضغط الزر ■.

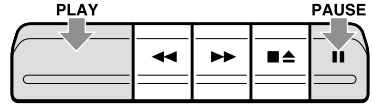
إرشاد مفيد

عند تحديديك لمسار يزيد رقمه عن الرقم ١٠، اضغط الزر >10 أولاً، ثم اضغط أزرار الرقم المطابق.

مثال:

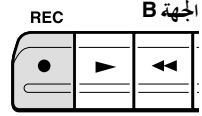
لتحديد المسار رقم ٢٣، اضغط الزر >10 أولاً ثم اضغط زر الرقم 2 وبعد ذلك 3.

٤
إضغط الزر **||** ثم إضغط زر التشغيل PLAY الموجود في الجهة A.

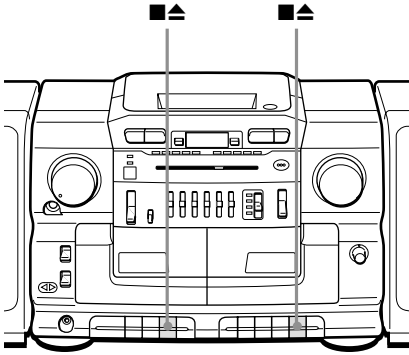


٥
ابدأ عملية النسخ.

إضغط الزر **●** الموجود على الجهة B (يتم إعادة ضغط الزر **▶** تلقائياً).



إستخدم هذه الأزرار للتشغيلات الإضافية



لايقاف عملية النسخ

إضغط الزر **■▲** الموجود في الجهة A والجهة B.

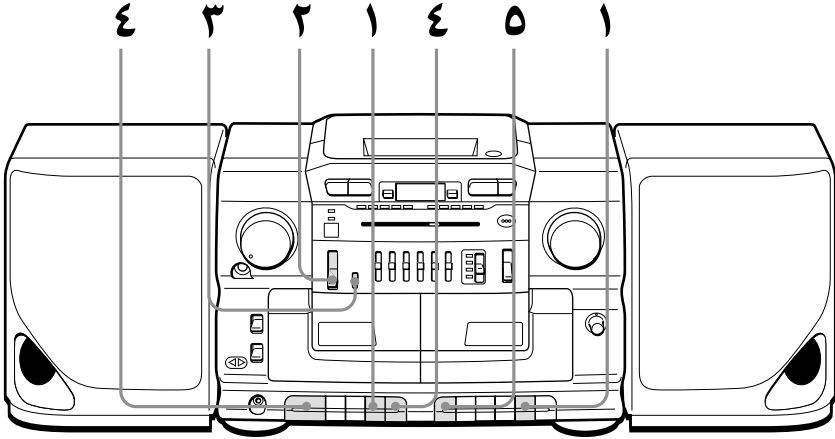
ملاحظة

أثناء عملية نسخ الصوت، لا تضبط زر الوظائف FUNCTION أو تضغط على زر نسخ الصوت بسرعة عالية HIGH SPEED DUBBING، لأن ذلك يسبب تشويش وتفاوت مفرط في طبقة الصوت.

إرشادات مفيدة

- لن يؤثر ضبط مستوى الصوت أو اختيار مؤثر الصوت (أنظر الصفحة ١٨) على مستوى التسجيل.
- للحصول على أفضل النتائج، إستخدم مصدر التيار المتردد كمصدر للطاقة.
- عندما ينتهي الشريط الموجود في الجهة A أولاً، فإن الجهة B تستمر في التسجيل حتى ينتهي الشريط. وعندما ينتهي الشريط الموجود في الجهة B أولاً، فإن الشريط في الجهة A يستمر في وضع التشغيل وفقاً لضبط مفتاح وضع الإجماع DIR MODE.

نسخ الصوت

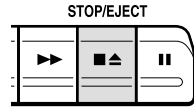


لتعليمات التركيب، يرجى مراجعة الصفحات ١٩ - ٢٠.

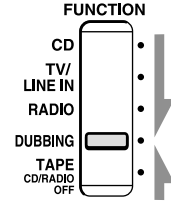


بحيث يكون الجانب المراد التسجيل عليه متجهًا نحوك

أدخل شريطًا مسجلًا عليه في الجهة A وشريطًا فارغًا في الجهة B. استخدم شريطًا من النوع TYPE I (العادي) فقط. إقتل حجيرة الشريط.

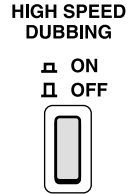


إضبط زر الوظائف FUNCTION على وضع نسخ الصوت DUBBING.



لنسخ الصوت بسرعة عالية، اضغط زر نسخ الصوت بسرعة عالية HIGH SPEED DUBBING، إلى وضع التشغيل ON.

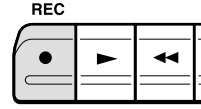
لنسخ الصوت بسرعة عادية، اضغط زر نسخ الصوت بسرعة عالية HIGH SPEED DUBBING، إلى وضع الإيقاف OFF.



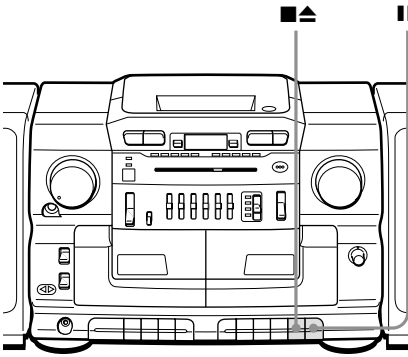
ابدء التسجيل.

إضغط الزر ● الموجود على الجهة B (يتم إعادة ضغط الزر ▶ تلقائياً).

الجهة B



إستخدم هذه الأزرار للتشغيلات الإضافية



ملاحظات

- أثناء التسجيل، لا تضغط على الزر PLAY، أو زر التشغيل ◀▶ لأن ذلك يسبب إرتعاش و تفاوت مفرط في طبقة الصوت.
- أثناء التسجيل عبر الميكروفون (MIC) المركب في المشغل، ليس هناك صوت يصدر من السماعات أو سماعات الرأس.
- عند توصيلك للميكروفون في المقبس MIX MIC، لا يمكنك التسجيل عبر الميكروفون المجهز بالمشغل.

إرشادات مفيدة

- لن يؤثر ضبط مستوى الصوت أو اختيار مؤثر الصوت (أنظر الصفحة ١٨) على مستوى التسجيل.
- إذا كانت برامج الموجات المتوسطة MW تصدر صوت صغير بعد ضغطك للزر ● في الخطوة ٣، إضغط زر الوضع ISS•FM MODE (مفتاح كتم التشويش) الموجود بالخلف، حتى تحصل على أقل الموضع اضطراباً.
- لتحقيق أفضل النتائج، إستخدم مصدر التيار المتردد كمصدر للطاقة.
- لمسح المواد المسجلة، قم بتنفيذ العمليات التالية:
 - ١ أدخل الشريط في الجهة B.
 - ٢ أفضل مصدر الصوت إذا كان موصلاً مع مقبس التلفزيون أو دخل الخط TV/LINE IN الموجود بالخلف.
 - ٣ إضبط زر الوظائف FUNCTION على وضع التلفزيون أو دخل الخط TV/LINE IN.
 - ٤ إضغط الزر ● الموجود على الجهاز B.

اضغط

لأجل

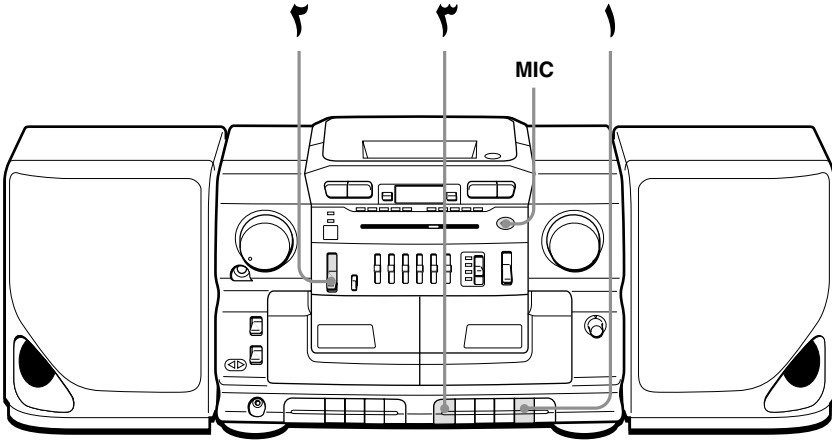
الزر ■▶ على الجهة B

إيقاف التسجيل

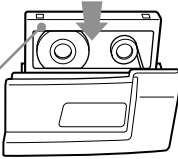
الزر ■■ على الجهة B
إضغط الزر مرة أخرى لإستئناف التسجيل.

التوقف المؤقت للتسجيل

التسجيل على الشريط



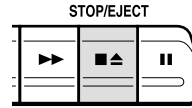
لتعليمات التركيب، يرجى مراجعة الصفحات ١٩ - ٢٠.



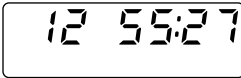
بحيث يكون الجانب المراد التسجيل عليه متجهًا نحوك

إضغط الزر ▲ لفتح حجيرة الشريط للوجه B وأدخل شريطًا فارغًا.

استخدم شريطًا من النوع I TYPE (العادي) فقط. إقفل حجيرة الشريط.



الشاشة

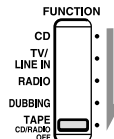
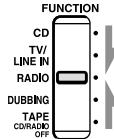
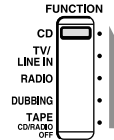


قم بإختيار مصدر البرنامج الذي تود القيام بتسجيله.

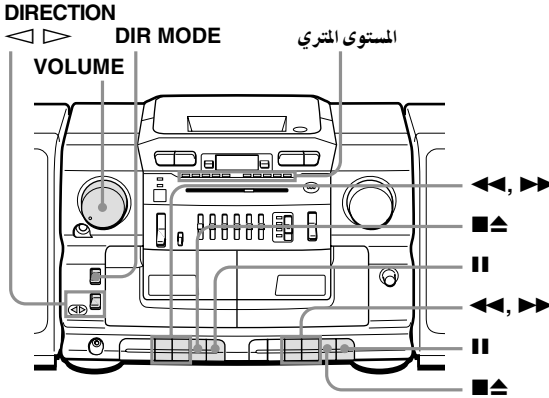
للتسجيل من مشغل الأسطوانات CD، إضبط زر الوظائف FUNCTION إلى وضع الأسطوانة CD من ثم ضع الأسطوانة (أنظر الصفحة ٤).

للتسجيل من الراديو، إضبط زر الوظائف FUNCTION إلى وضع الراديو RADIO. من ثم إضبط المحطة التي ترغبها باستخدام أزرار الموجة BAND والمؤلفة والضبط TUNING (أنظر الصفحة ٦).

للتسجيل من الميكروفون المركب في المشغل (MIC)، إضبط زر الوظائف FUNCTION إلى الوضع TAPE•CD/RADIO OFF.



إستخدام هذه الأزرار للتشغيلات الإضافية



ملاحظة

أثناء الاستماع، لا تضغط على الأزرار <◀▶>، أو <▶▶> الموجودة على الوجه الآخر، لأن ذلك سوف يسبب إرتعاش وتفاوت مفرط في طبقة الصوت.

إرشادات مفيدة

- أثناء التشغيل، يوضح قارىء المستوى المتري مستوى ذبذبة الصوت. ضبط مستوى الصوت لا يؤثر على قارىء المستوى المتري.
- لتشغيل الشرائط على الوجهين بصورة ناجحة، اضغط الزر <▶> الموجود على الوجه B من ثم اضغط زر الاستماع PLAY والزر <||> الموجودين في الواجهة A في وقت واحد. عندما ينتهي الشريط الموجود في الوجه B، يبدأ الاستماع للشريط الموجود في الوجه A، بصورة تلقائية.

قم بالاتي

لأجل

أدر قرص مستوى الصوت VOLUME.

ضبط مستوى الصوت

إضغط الزر <▶▶>.

إيقاف الاستماع

إضغط الزر <◀◀> أو الزر <▶▶>.

التقديم السريع أو التراجع السريع للشريط

إضغط الزر <||>.

التوقف المؤقت للاستماع
إضغط الزر مرة أخرى لإستئناف التشغيل عقب التوقف المؤقت.

إضغط زر الاتجاه DIRECTION للأسفل مرة واحدة.

تشغيل الجانب العكسي للشريط (الوجه A فقط)

تبين مؤشرات زر الاتجاه DIRECTION <◀▶> (للأمام/الخلف)

إتجاه الشريط الموجود في الوجه A.

إضغط الزر <▶▶>.

إخراج الكاسيت

إختيار اتجاه الشريط (لوجه A فقط)

اضبط وضع الاتجاه DIR MODE على

تشغيل



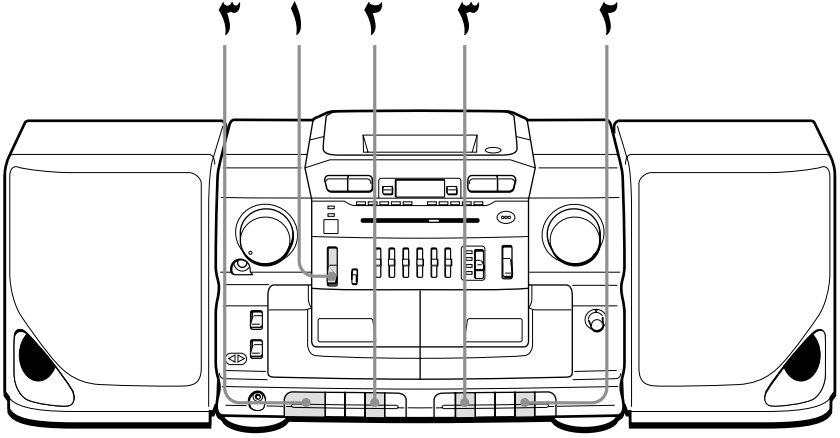
الإتجاهين للشريط الواحد بصورة متكررة



الإتجاهين للشريط الواحد من الجهة الأمامية إلى الجهة العكسية فقط*

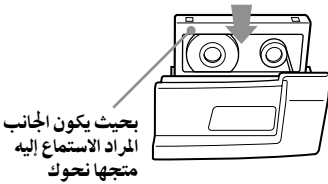
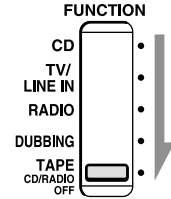
* إذا بدأ التشغيل من الجهة العكسية، فإن الشريط يتوقف عند نهاية تلك الجهة.

الاستماع الى الشريط

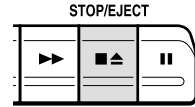


لتعليمات التركيب، يرجى مراجعة الصفحات ١٩ - ٢٠.

اضبط زر الوظائف FUNCTION على وضع الشريط • إيقاف الأسطوانة/ الراديو /TAPÉ•CD .RADIO OFF

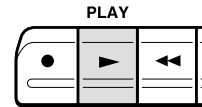


إضغط الزر ▲■ لفتح حجيرة الشريط وضع شريطاً مسجلاً عليه في الحجيرة. استخدم شريطاً من النوع I TYPE (العادي) فقط. إقفل حجيرة الشريط.



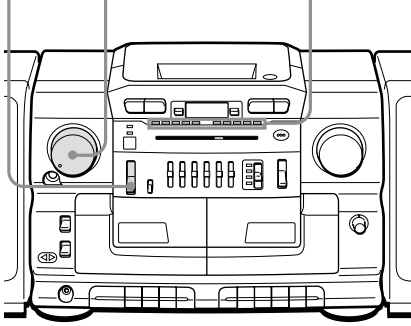
إضغط زر التشغيل ▶ .PLAY

يبدأ المسجل في التشغيل.



إستخدم هذه الأزرار للتشغيلات الإضافية

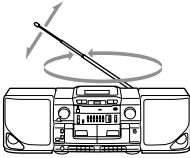
FUNCTION VOLUME المستوى المتري



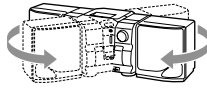
لأجل	قم بالاتي
ضبط مستوى الصوت	أدر قرص مستوى الصوت VOLUME.
لإيقاف الراديو	إضبط زر الوظائف FUNCTION إلى الوضع TAPE•CD/RADIO OFF.

لتحسين استقبال البث

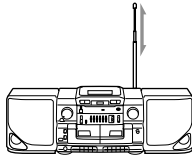
إضبط إتجاه الهوائي للموجة المحلية FM. إضبط إتجاه المشغل نفسه للموجة المتوسطة MW. للموجة القصيرة SW، قم بتمديد الهوائي عمودياً.



للموجة FM



للموجة MW

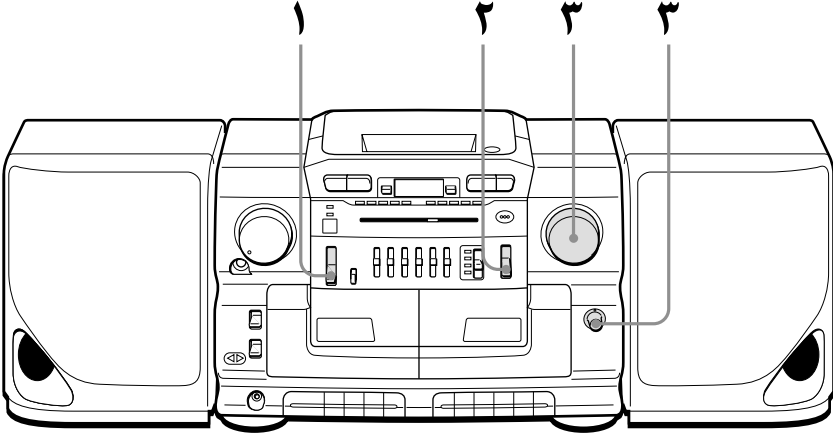


للموجة SW

إرشادات مفيدة

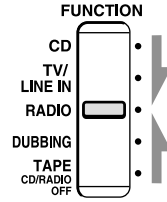
- أثناء التشغيل، يوضح قارئ المستوى المتري، مستوى ذبذبة الصوت. ضبط مستوى الصوت لا يؤثر على قارئ المستوى المتري.
- إذا كان بث المحطة المحلية FM مشوشاً، اضبط الوضع FM•ISS MODE الموجود بالخلف، إلى وضع "MONO" سيعمل الراديو بالصوت غير الستيريو.

الإستماع للراديو

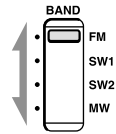


لتعليمات التركيب، يرجى مراجعة الصفحات ١٩ - ٢٠.

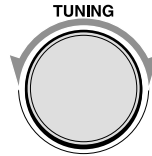
اضبط الوظيفة FUNCTION على الوضع RADIO.



إضبط نظام الحزمة BAND لإختيار الحزمة التي تريدها.

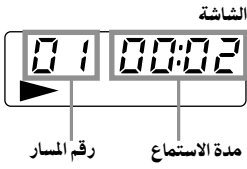


أدر قرص موالفة المحطات TUNING للموالفة على المحطة المرغوبة.



للحصول على أفضل إستقبال للموجة القصيرة للتحصول، إستخدم قرص ضبط المحطات الدقيق FINE TUNING.

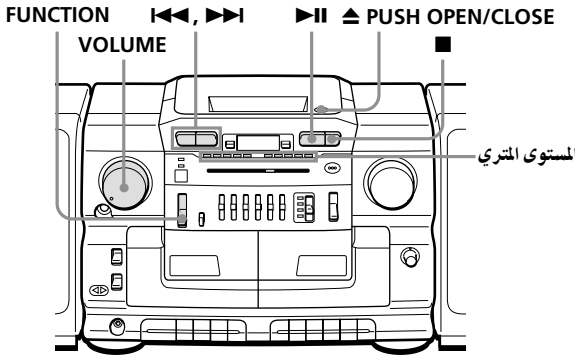




إضغط الزر ►► (أو الزر ► على وحدة التحكم من بعد).
يقوم المشغل بتشغيل جميع المسارات مرة واحدة.



إستخدم هذه الأزرار للتشغيلات الإضافية

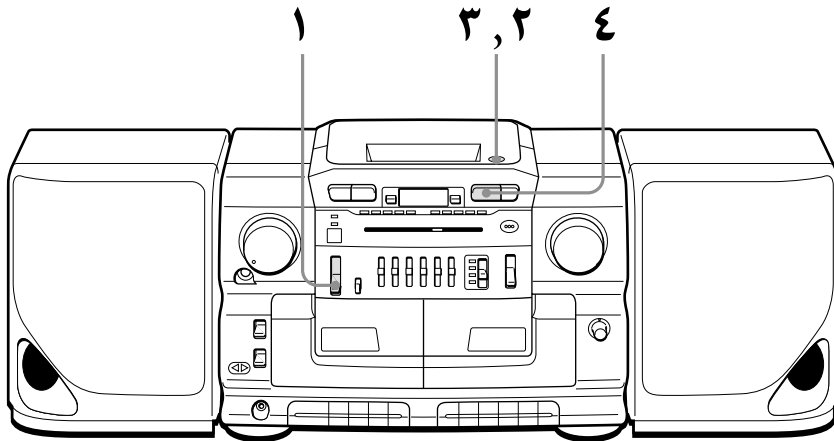


لأجل	قم بالاتي
ضبط مستوى الصوت	أدر قرص الصوت VOLUME.
إيقاف الاستماع	إضغط الزر ■.
التوقف المؤقت للاستماع	إضغط الزر ►► (على وحدة التحكم من بعد، إضغط الزر ►►) إضغط الزر مرة أخرى لإستئناف التشغيل بعد التوقف المؤقت.
الانتقال الى المسار التالي	إضغط الزر ►►.
العودة إلى المسار السابق	إضغط الزر ►.
نزع الإسطوانة	إضغط الزر PUSH OPEN/CLOSE.▲
لإيقاف المشغل	اضبط FUNCTION على الوضع TAPE•CD/RADIO OFF.

إرشاد مفيد

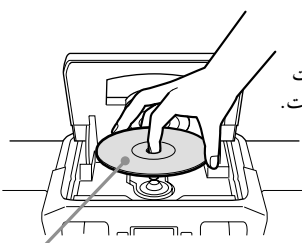
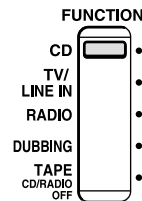
أثناء التشغيل، يوضح قارىء المستوى المتري مستوى ذبذبة الصوت.
ضبط مستوى الصوت لا يؤثر على قارىء المستوى المتري.

تشغيل الاسطوانة



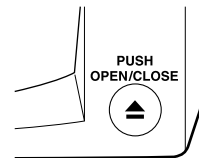
لتعليمات التركيب، يرجى مراجعة الصفحات ١٩ - ٢٠.

اضبط الوظيفة FUNCTION على الوضع CD.

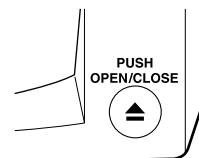
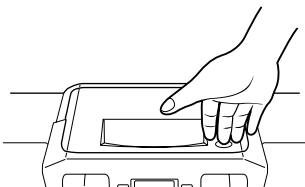


إضغط زر الدفع للفتح/ الإغلاق
▲ PUSH OPEN/CLOSE
 للأسفل لفتح غطاء حجيرة الأسطوانات
 وضع الأسطوانة في حجيرة الأسطوانات.

بحيث يكون الجانب المراد التسجيل عليه متجهًا نحوك



إقفل غطاء حجيرة الأسطوانات.



جدول المحتويات

العمليات الأساسية

٤	تشغيل الأسطوانة
٦	الإستماع للراديو
٨	الاستماع الى الشريط
١٠	التسجيل على الشريط
١٢	نسخ الصوت

مشغل الأسطوانات المحكمة

١٤	إستخدام شاشة العرض
١٤	تحديد مسار معين
١٥	الاستماع للمسارات بصورة متكررة (الإستماع المتكرر)
١٦	إنشاء برنامجك الخاص (الاستماع المبرمج)

مشغل اشربة الكاسيت

	التسجيل عبر المايكروفون/ إستخدام الجهاز
١٧	كنظام للخطب العامة

مؤثر الصوت

	اختيار مؤثر الصوت
١٨ (DYNAMIC SOUND SYSTEM)

التهيئة

١٩	اختيار مصادر الطاقة
٢١	توصيل الاجهزة الاختيارية

المعلومات الإضافية

٢٢	تنبيهات احتياطية
٢٤	معالجة الأعطال
٢٦	الصيانة
٢٧	المواصفات
٢٨	الفهرس

تحذير

لتفادي مخاطر الحريق أو الصدمات، لا تعرض الجهاز للمطر أو البلل.

لتفادي الصدمات الكهربائية، لا تفتح الهيكل.
أسند عمليات الصيانة للأشخاص المؤهلين فقط.

تحذير

لا تعتمد الى تركيب الجهاز في أماكن ضيقة كوضعه في خزانة الكتب أو الخزائن المجهزة في البيوت مثلاً.

لتفادي نشوب حريق أو خطر صدمة كهربائية، لا تعتمد الى وضع أشياء مملوءة بالسوائل، مثل الزهرية، على الجهاز.

مفتاح إختيار الوظيفة FUNCTION موجود في الجهة الأمامية من الجهاز.

عند تشغيل الجهاز، يضيء المؤشر OPR/BATT.

CD Radio Cassette-Corder

AR

تعليمات التشغيل صفحة ٢^{AR}

CFD-CD777S MK2

© 2003 Sony Corporation

Download from Www.Somanuals.com. All Manuals Search And Download.

Free Manuals Download Website

<http://myh66.com>

<http://usermanuals.us>

<http://www.somanuals.com>

<http://www.4manuals.cc>

<http://www.manual-lib.com>

<http://www.404manual.com>

<http://www.luxmanual.com>

<http://aubethermostatmanual.com>

Golf course search by state

<http://golfingnear.com>

Email search by domain

<http://emailbydomain.com>

Auto manuals search

<http://auto.somanuals.com>

TV manuals search

<http://tv.somanuals.com>