

# ***CD Radio Cassette-Corder***

---

Operating Instructions page 2<sup>GB</sup>

**GB**

Manual de instrucciones página 2<sup>ES</sup>

**ES**

***CFD-E55  
CFD-E55L***

## Warning

To prevent fire or shock hazard, do not expose the player to rain or moisture.

To avoid electrical shock, do not open the cabinet. Refer servicing to qualified personnel only.

## Information

For customers in Europe





This Compact Disc player is classified as a CLASS 1 LASER product. The CLASS 1 LASER PRODUCT label is located at the rear.

## Warning

Do not install the appliance in a confined space, such as a bookcase or built-in cabinet.

## Notice for customers in the United Kingdom

A moulded plug complying with BS 1363 is fitted to this equipment for your safety and convenience.

Should the fuse in the plug supplied need to be replaced, same rating fuse approved by ASTA or BSI to BS 1362, (i.e. marked with  or ) must be used.

If the plug supplied with this equipment has a detachable fuse cover, be sure to attach the fuse cover after you change the fuse. Never use the plug without the fuse cover. If you should lose the fuse cover, please contact your nearest Sony service station.

## About this manual

The instructions in this manual are for the CFD-E55 and CFD-E55L. Before you start reading, check your model number. The CFD-E55L is the model used for illustration purpose.

## Note

The name of the switch to turn on/off this player is indicated as below:

“OPERATE”: CFD-E55L

“POWER”: CFD-E55

---

# Table of contents

---

## Basic Operations

- 4 Playing a CD
  - 6 Listening to the radio
  - 8 Playing a tape
  - 10 Recording on a tape
- 

### The CD Player

- 12 Using the display
- 13 Locating a specific point in a track
- 14 Playing tracks repeatedly (Repeat Play)
- 15 Playing tracks in random order (Shuffle Play)
- 16 Creating your own program (Program Play)

### The Radio

- 18 Presetting radio stations
- 19 Playing preset radio stations

### The Timer

- 20 Setting the clock
- 21 Waking up to music
- 23 Falling asleep to music
- 24 Using the countdown timer

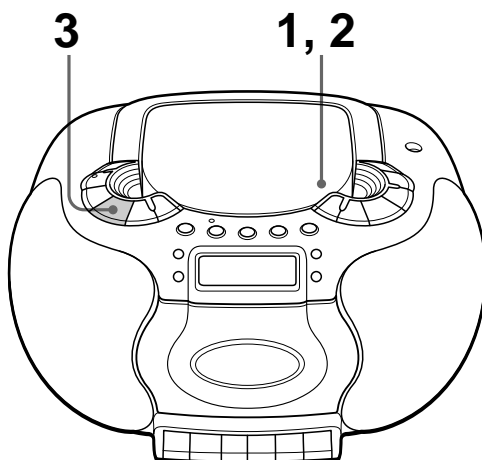
### Setting Up

- 26 Choosing the power sources
- 28 Selecting the audio emphasis (SOUND/MEGA BASS)

### Additional Information

- 29 Precautions
- 31 Troubleshooting
- 33 Maintenance
- 34 Specifications
- 35 Index

# Playing a CD

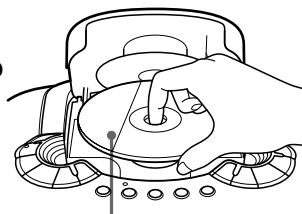


Connect the supplied AC power cord (see page 26).

1



Press ▲PUSH OPEN/CLOSE down to open the CD compartment and place the CD on the CD compartment.

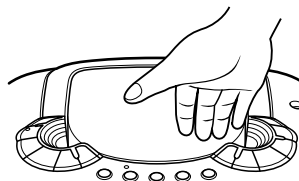


With the label side up

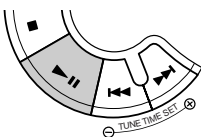
2



Close the lid of the CD compartment.



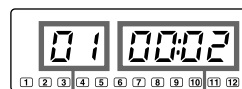
3



Press ►||.

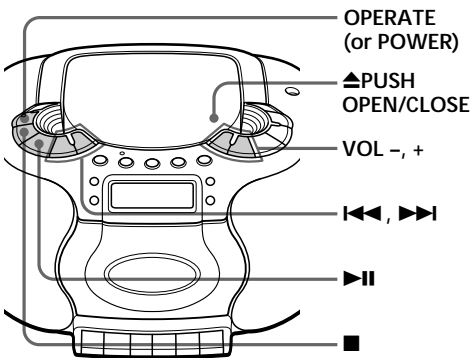
The player turns on (direct power-on) and plays all the tracks once.

Display



Track number    Playing time

Use these buttons for additional operations

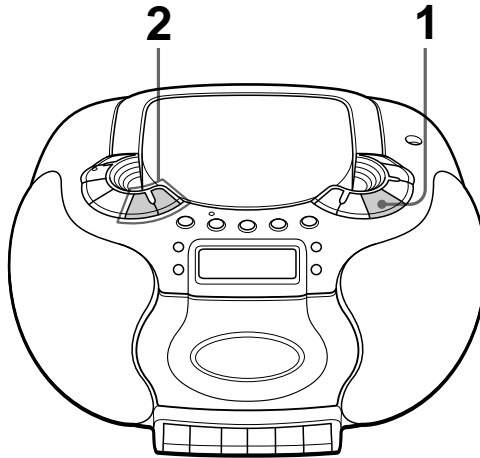


Tip

Next time you want to listen to a CD, just press ▶||. The player turns on automatically and starts playing the CD.

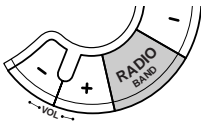
To	Press
adjust the volume	VOL +, -
stop playback	■
pause playback	▶   Press the button again to resume play after pause.
go to the next track	▶▶
go back to the previous track	◀◀
remove the CD	▲PUSH OPEN/CLOSE
turn on/off the player	OPERATE (or POWER, see page 2)

# Listening to the radio



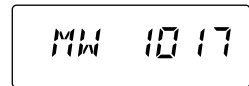
Connect the supplied AC power cord (see page 26).

1

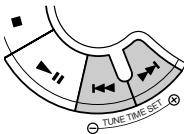


Press RADIO BAND until the band you want appears in the display (direct power-on).

Display



2

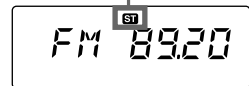


Hold down TUNE TIME SET + or - until the frequency digits begin to change in the display.

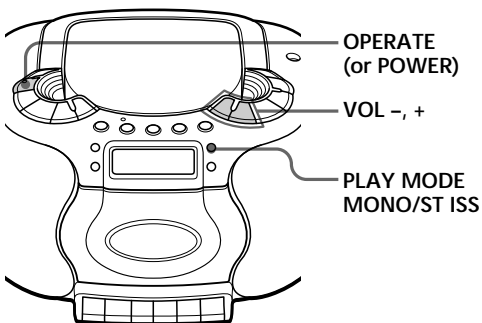
The player automatically scans the radio frequencies and stops when it finds a clear station.

If you can't tune in a station, press the button repeatedly to change the frequency step by step.

Indicates an FM stereo broadcast



Use these buttons for additional operations



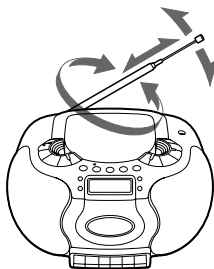
Tips

- If the FM broadcast is noisy, press **PLAY MODE • MONO/ST ISS** until “Mono” appears in the display and the radio will play in monaural.
- Next time you want to listen to the radio, just press **RADIO BAND**. The player turns on automatically and starts playing the previous station.

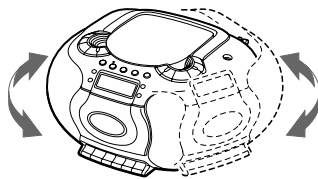
To	Press
adjust the volume	VOL +, -
turn on/off the radio	OPERATE (or POWER, see page 2)

To improve broadcast reception

Reorient the antenna for FM. Reorient the player itself for AM or MW/LW.

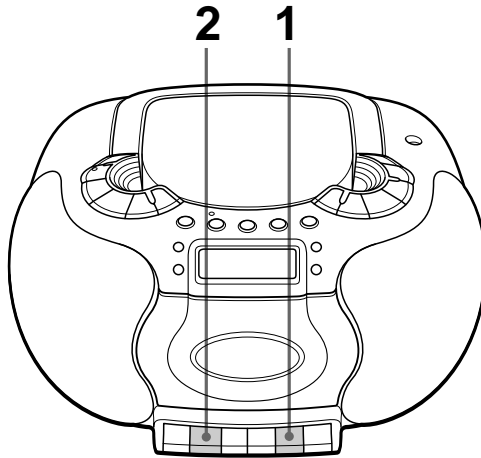


for FM



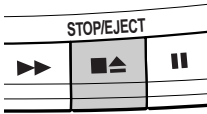
for AM/MW/LW

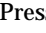
# Playing a tape

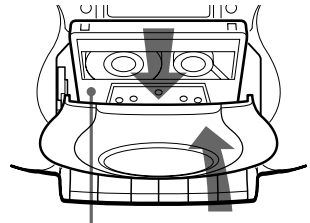


Connect the supplied AC power cord (see page 26).

1

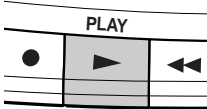



Press  to open the tape compartment and insert a recorded tape. Use TYPE I (normal) tape only. Close the compartment.



With the side you want to play facing you

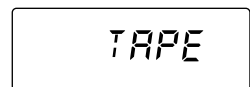
2



Press .

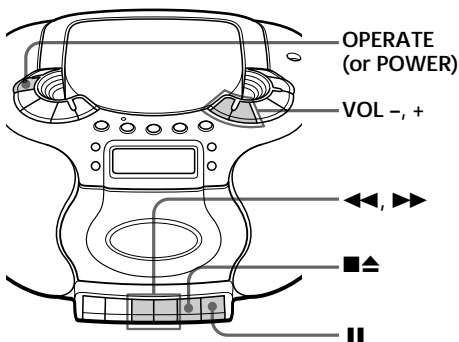
The player turns on (direct power-on) and starts playing.

Display





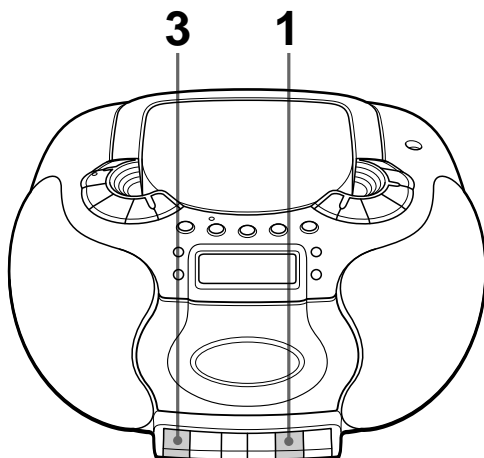
## Use these buttons for additional operations

**Tip**

Next time you want to listen to a tape, just press ►. The player turns on automatically and starts playing the tape.

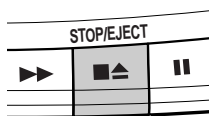
To	Press
adjust the volume	VOL +, -
stop playback	■▲
fast-forward or rewind the tape	►► or ◀◀
pause playback	 Press the button again to resume play after pause.
eject the cassette	■▲
turn on/off the player	OPERATE (or POWER, see page 2)

# Recording on a tape

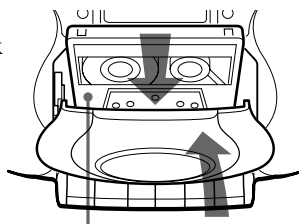


Connect the supplied AC power cord (see page 26).

1

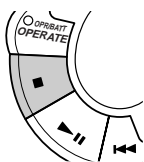


Press to open the tape compartment and insert a blank tape. Use TYPE I (normal) tape only.



With the side you want to record on facing you

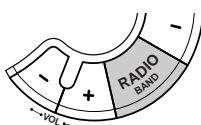
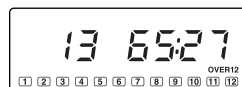
2



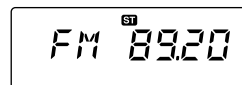
Select the program source you want to record.

To record from the CD player, insert a CD (see page 4) and press on the CD section.

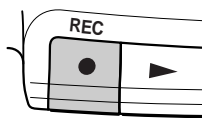
Display



To record from the radio, tune in the station you want (see page 6).

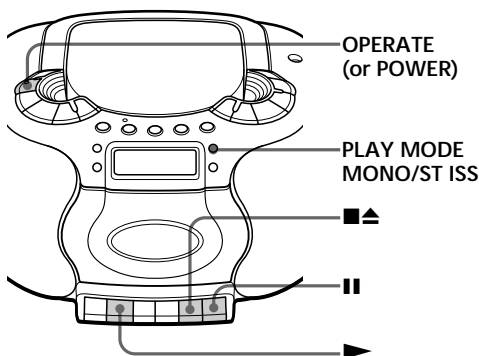


3



Press ● to start recording  
(▶ is depressed automatically).

Use these buttons for additional operations



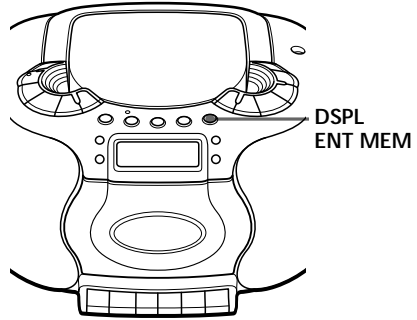
#### Tips

- Adjusting the volume or the audio emphasis (see page 28) will not affect the recording level.
- If the AM/MW/LW program makes a whistling sound after you've pressed ● in step 3, press PLAY MODE • MONO/ST ISS (Interference Suppress switch) repeatedly until the noise is at a minimum.
- For the best results, use the AC power as a power source.
- To erase a recording, proceed as follows:
  - 1 Insert the tape whose recording you want to erase.
  - 2 Press ||.
  - 3 Press ▶.
  - 4 Press ●.
  - 5 Press ||.

To	Press
stop recording	■▲
pause recording	 Press the button again to resume recording.
turn on/off the player	OPERATE (or POWER, see page 2)

# Using the display

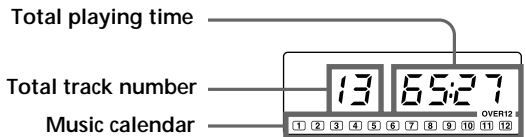
You can check information about the CD using the display.



## Checking the total track number and playing time

Press DSPL ENT MEM in stop mode.

If the CD has more than 12 tracks, “OVER 12” appears in the display.



## Checking the remaining time

Press DSPL ENT MEM while playing a CD.

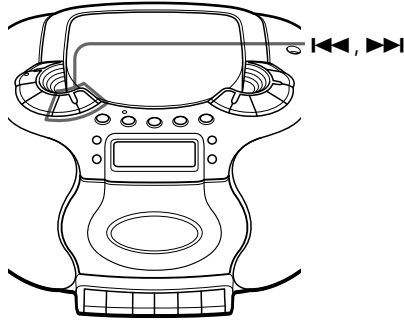
The track numbers in the music calendar disappear after they are played.

To display	Press DSPL ENT MEM
the current track number and the remaining time on the current track*	once
the number of tracks left and remaining time on the CD	twice
the current track number and playing time	three times

\* For a track whose number is more than 20, the remaining time appears as “- -:--”.

## Locating a specific point in a track

You can quickly find a specific point in a track while playing a CD.

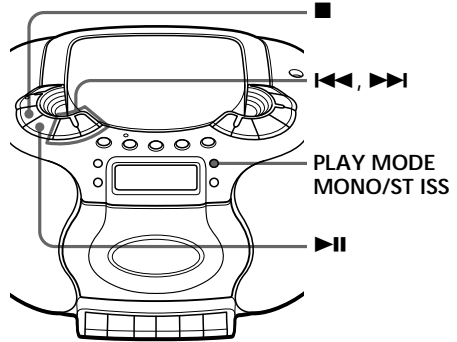


To locate	Press
a point while listening to the sound	▶▶ (forward) or ◀◀ (backward) while playing and hold down until you find the point
a point while observing the display	▶▶ (forward) or ◀◀ (backward) in pause and hold down until you find the point

# Playing tracks repeatedly

## (Repeat Play)

You can play tracks repeatedly in normal, shuffle or program play modes (see pages 15 - 17).



- 1 Press ■.  
"Cd" appears in the display.
- 2 Proceed as follows.

To repeat	Do this
a single track	1 Press PLAY MODE • MONO/ST ISS until "REP 1" appears. 2 Press ◀▶ or ▶▶ to select the track that you want to repeat. 3 Press ▶▶.
all the tracks	1 Press PLAY MODE • MONO/ST ISS until "REP ALL" appears. 2 Press ▶▶.
tracks in random order	1 Press PLAY MODE • MONO/ST ISS until "SHUF REP" appears. 2 Press ▶▶.
programmed tracks	1 Press PLAY MODE • MONO/ST ISS until "PGM REP" appears. 2 Program tracks (see step 3 on page 16). 3 Press ▶▶.

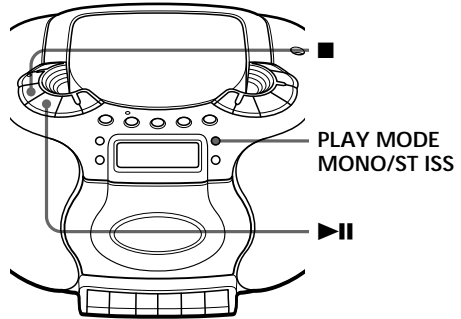
### To cancel Repeat Play

Press PLAY MODE • MONO/ST ISS until "REP" disappears from the display.

# Playing tracks in random order

## (Shuffle Play)

You can play tracks in random order.



- 1** Press ■.  
“Cd” appears in the display.
- 2** Press PLAY MODE • MONO/ST ISS until “SHUF” appears in the display.
- 3** Press ►|| to start shuffle play.

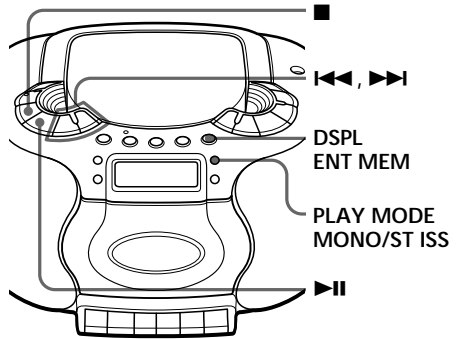
### To cancel Shuffle Play

Press PLAY MODE • MONO/ST ISS until “SHUF” disappears from the display.

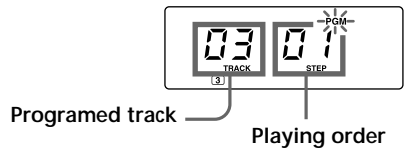
# Creating your own program

## (Program Play)

You can arrange the playing order of up to 20 tracks on a CD.



- 1 Press ■.  
“Cd” appears in the display.
- 2 Press PLAY MODE•MONO/ST ISS until “PGM” appears in the display.
- 3 Press the ◀◀ or ▶▶ then press DSPL ENT MEM for the tracks you want to program in the order you want.



The programed tracks appear in the music calendar.

- 4 Press ▶|| to start program play.



### Tips

- You can play the same program again, since the program is saved until you open the CD compartment.
- You can record your own program. After you've created the program, insert a blank tape and press ● to start recording.

### To cancel Program Play

Press **PLAY MODE**•**MONO/ST ISS** until "PGM" disappears from the display.

### To check the order of tracks before play

Press **DSPL ENT MEM**.

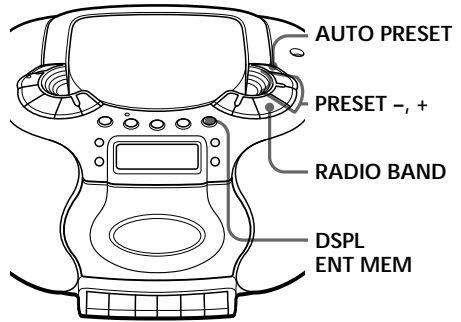
Every time you press the button, the track number appears in the programmed order.

### To change the current program

Press ■ once if the CD is stopped and twice if the CD is playing. The current program will be erased. Then create a new program following the programming procedure.

# Presetting radio stations

You can store radio stations into the player's memory. You can preset up to 30 radio stations (CFD-E55L) or 20 radio stations (CFD-E55), 10 for each band in any order.



- 1** Press RADIO BAND until the band you want appears in the display.
- 2** Hold down AUTO PRESET for 2 seconds until "AUTO" appears in the display.

The stations are stored in memory from the lower frequencies to the higher ones.

### If a station cannot be preset automatically

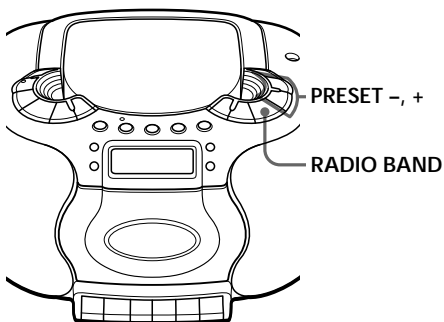
You need to preset a station with a weak signal manually.

- 1** Press RADIO BAND to select the band.
- 2** Tune in a station you want.
- 3** Hold down DSPL ENT MEM for 2 seconds.
- 4** Press PRESET + or - until the preset number (1 to 10) you want for the station flashes in the music calender.
- 5** Press DSPL ENT MEM.

The new station replaces the old one.

# Playing preset radio stations

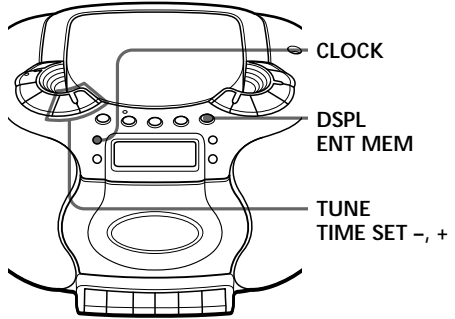
Once you've preset the stations, use PRESET + or - to tune in to your favorite stations.



- 1** Press RADIO BAND to select the band.
- 2** Press PRESET + or - to tune in the stored station.

# Setting the clock

“-:-:-” indication appears in the display until you set the clock.



**Tip**

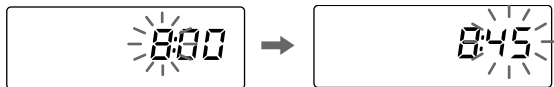
The time display system:  
CFD-E55:  
12-hour system  
CFD-E55L:  
24-hour system

Before you set the clock, connect the power source (see page 26).

- 1** Press **CLOCK** for 2 seconds until the hour digit flashes.



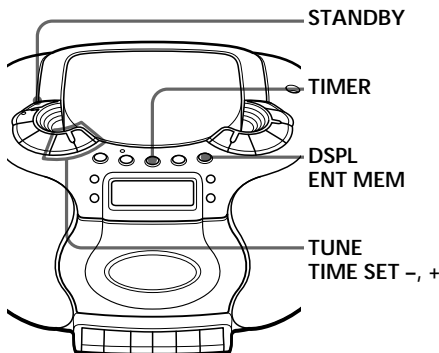
- 2** Press **TUNE TIME SET +** or **-** until you set the current hour. Then press **DSPL ENT MEM**.  
The minute digits flash. Set the minutes by pressing **TUNE TIME SET +** or **-** until the correct minute is displayed.



- 3** Press **DSPL ENT MEM**.  
The clock starts from 00 seconds.

# Waking up to music

You can wake up to music or a radio program at a preset time. Make sure you have set the clock (“Setting the clock” on page 20).



Before you begin, make sure the ☹ (clock) indication is not lit in the display. If it is lit, press STANDBY.

## 1 Prepare the music source you want to play.

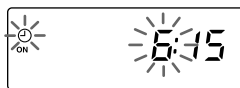
To play	Do this
the radio	Tune in a station
a CD	Insert a CD

## 2 Press TIMER.

The ☹ (clock) and the music source (“Cd” or “RADiO”) flash.

## 3 Select the music source (“Cd” or “RADiO”) by pressing TUNE TIME SET + or –, then DSPL ENT MEM.

## 4 Set the timer to the hour you want the music to start by pressing TUNE TIME SET + or –, then DSPL ENT MEM.



Set the minutes, then press DSPL ENT MEM.

## 5 Set the timer to the hour and the minutes you want the music to go off. (Do as step 4.)

continued

## Waking up to music (continued)

### Tips

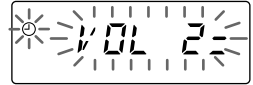
- To exit the standby mode, press **STANDBY** to make ☹ disappear from the display.
- The preset settings remain until you reset them.

### Note

When you press ► or ● button of the tape player in the timer mode:

If the tape length of one side is longer than the set time, the player will be turned off at the end of the tape, not at the set time.

- 6 Press **TUNE TIME SET** + or - to set the volume, then **DSPL ENT MEM**.



- 7 Press **STANDBY**.

The ☹ indication lights up and the power goes off.

At the preset time, the power will go on, and the music will play. Then the power will go off at the preset time, and the player will enter into the standby mode.

### To check/change when the playback will start

Press **TIMER**, then **DSPL ENT MEM**. Each time you press **DSPL ENT MEM**, a stored setting is displayed in the set order. To change the setting, display the setting you want to change and re-enter it.

### To use the player before a timer playback starts

Just turn on the player, and then you can use it.

If you turn off the player before the preset time, timer playback will start at the preset time.

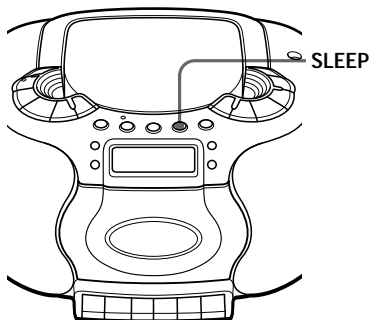
In case of the radio, however, if you listen to the station which is different from the one you tuned in step 1 on page 21, you will hear that station at the preset time. Make sure to tune in the station you want to listen to before you turn off the player.

### To stop play

Press **OPERATE** (or **POWER**) to turn off the power.

# Falling asleep to music

You can set the player to turn off automatically after 10, 20, 30, 60, 90, and 120 minutes, allowing you to fall asleep while listening to music.



## Tip

- You can fall asleep and wake up to different music. Set the waking up timer first (see page 21), turn on the power, and then set the sleeping timer. However, you cannot store different radio stations.
- You can set different volume for the waking up timer and the sleeping timer. For instance, you can sleep at lower volume and wake up at higher volume.

## Note

When you are playing a tape using this function:

If the tape length of one side is longer than the set time, the player will not go off until the tape reaches the end.

- 1 Play the music source you want.
- 2 Press SLEEP to display "SLEEP."
- 3 Press SLEEP to select the minutes until the player goes off automatically.

Each time you press the button, the indication changes as follows:

"60" → "90" → "120" →  
no indication → "10" →  
"20" → "30."

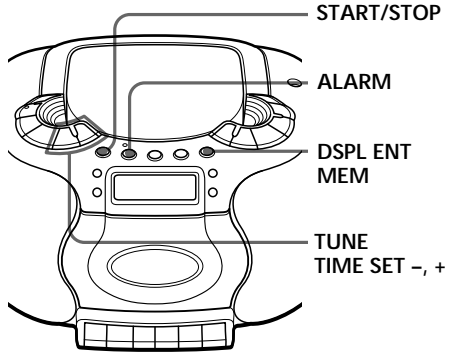


## To cancel the sleep function

Press OPERATE (or POWER) to turn off the power.

# Using the countdown timer

You can set the player to sound music or beep after a preset period of time, which is useful as a kitchen timer, etc.



- 1 Press ALARM.  
The time display flashes.



- 2 Press TUNE TIME SET + or - to display the time (1 to 60 minutes) for the alarm and press DSPL ENT MEM.
- 3 Press TUNE TIME SET + or - to select the sound for the alarm by and press DSPL ENT MEM.

Display	Sound for alarm
bEEP	beep
MUSIC	"La primavera (Spring)" from "Le Quattro Stagioni (The Four Seasons)" by Vivaldi

- 4 Press TUNE TIME SET + or - to select the volume of the sound and press DSPL ENT MEM.

Display	Volume
LO	low
HI	high



**Tip**

Because the settings are stored, you can turn on the countdown timer simply by pressing START/STOP.

To change the setting, set the item first and then press START/STOP. Be sure that the ALARM lamp is lit.

- 5** Press START/STOP to turn on the countdown timer.

The ALARM indicator lights up and the countdown timer starts to count down the time.

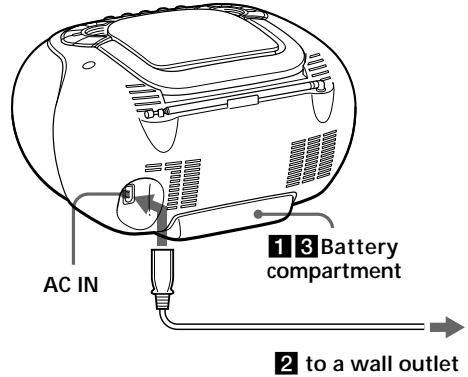
After the preset period of time, the alarm will sound for about 20 seconds.

**To stop the alarm**

Press START/STOP.

# Choosing the power sources

You can use the AC power or batteries as a power source.



## Note

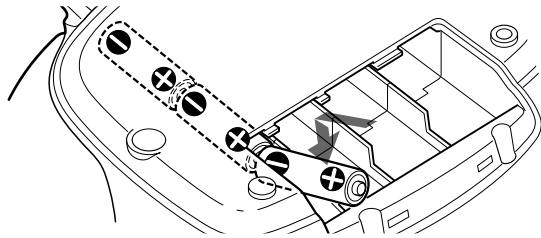
Before you replace the batteries, be sure to take out the CD from the player.

## Tip

When the AC power cord is disconnected and the batteries for the player are not inserted (but the back-up batteries are inserted), the time display on the display window becomes dim to prevent battery exhaustion.

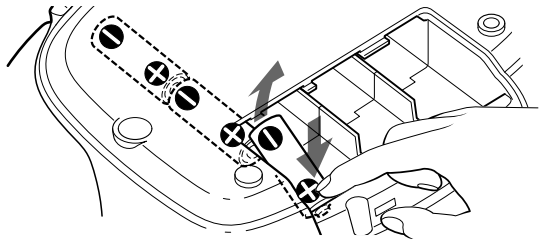
## 1 Inserting the back-up batteries

Insert three R6 (size AA) batteries (not supplied) into the battery compartment. These batteries work to save the memory data.



## Replacing batteries

Take out the batteries as illustrated.



**Tip**

When you operate the player on batteries, replace the back-up batteries when the time display dims or when you cannot operate the timer. Replace all the batteries with new ones. With normal use, the back-up batteries should last for about six months. To save the memory data, replace the batteries with the AC power cord connected.

**Note**

Before you replace the batteries, be sure to take out the CD from the player.

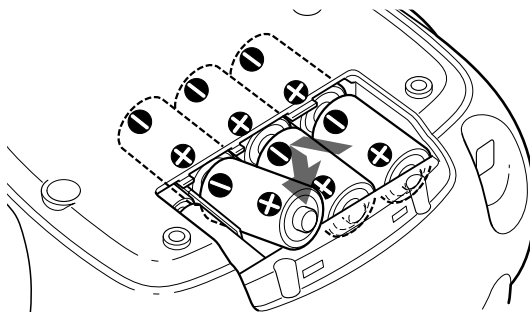
**2 Connecting the AC power cord**

Insert one end of the supplied AC power cord to the AC IN socket located at the rear of the player, and the other end to the wall outlet.

**3 Using the player on batteries**

Insert six R20 (size D) batteries (not supplied) into the battery compartment.

To use the player on batteries, disconnect the AC power cord from the player.

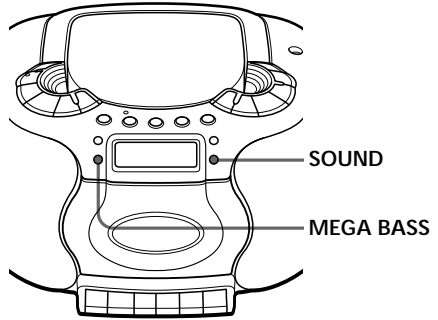
**Replacing batteries**

Replace the batteries when the OPR/BATT indicator dims or when the player stops operating. Replace all the batteries with new ones.

# Selecting the audio emphasis

## (SOUND/MEGA BASS)

You can adjust the audio emphasis of the sound you are listening to.



### Selecting the sound characteristic

Press SOUND repeatedly to select the audio emphasis you want.

Choose	To get
ROCK	powerful, clean sounds, emphasizing low and high range audio
POP	light, bright sounds emphasizing high and middle range audio
LIVE	percussive sounds, emphasizing bass audio
VOCAL	the presence of vocals, stressing middle range audio
OFF	the whole dynamic range for music such as classical music

### Reinforcing the bass sound

Press MEGA BASS.

"MEGA BASS" appears in the display.

To return to normal sound, press the button again.

# Precautions

## On safety

- As the laser beam used in the CD player section is harmful to the eyes, do not attempt to disassemble the casing. Refer servicing to qualified personnel only.
- Should any solid object or liquid fall into the player, unplug the player, and have it checked by qualified personnel before operating it any further.

## On power sources

- For AC operation, use the supplied AC power cord; do not use any other type.
- The player is not disconnected from the AC power source (mains) as long as it is connected to the wall outlet, even if the player itself has been turned off.
- For battery operation, use six R20 (size D) batteries.
- When the batteries are not to be used, remove them to avoid damage that can be caused by battery leakage or corrosion.
- The nameplate indicating operating voltage, power consumption, etc. is located on the bottom.

## On placement

- Do not leave the player in a location near heat sources, or in a place subject to direct sunlight, excessive dust or mechanical shock.
- Do not place the player on an inclined or unstable place.
- Do not place anything within 10 mm of the side of the cabinet. The ventilation holes must be unobstructed for the player to operate properly and prolong the life of its components.
- If the player is left in a car parked in the sun, be sure to choose a location in the car where the player will not be subjected to the direct rays of the sun.
- Since a strong magnet is used for the speakers, keep personal credit cards using magnetic coding or spring-wound watches away from the player to prevent possible damage from the magnet.

## On operation

- If the player is brought directly from a cold to a warm location, or is placed in a very damp room, moisture may condense on the lens inside the CD player section. Should this occur, the player will not operate properly. In this case, remove the CD and wait about an hour for the moisture to evaporate.
- If the player has not been used for a long time, set it in the playback mode to warm it up for a few minutes before inserting a cassette.

If you have any questions or problems concerning your player, please consult your nearest Sony dealer.

continued

---

## Precautions (continued)

### Notes on CDs

- Before playing, clean the CD with a cleaning cloth. Wipe the CD from the center out.

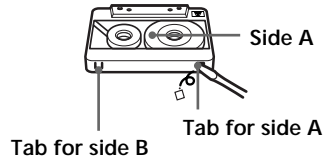


- Do not use solvents such as benzene, thinner, commercially available cleaners or anti-static spray intended for vinyl LPs.
- Do not expose the CD to direct sunlight or heat sources such as hot air ducts, nor leave it in a car parked in direct sunlight as there can be a considerable rise in temperature inside the car.
- Do not stick paper or sticker on the CD, nor scratch the surface of the CD.
- After playing, store the CD in its case.

If there is a scratch, dirt or fingerprints on the CD, it may cause tracking error.

### Notes on cassettes

- Break off the cassette tab from side A or B to prevent accidental recording. If you want to reuse the tape for recording, cover the broken tab with adhesive tape.



- The use of a cassette with more than 90 minutes of play time is not recommended except for long, continuous recording or playback.

# Troubleshooting

	Symptom	Remedy
General	The power is not on.	<ul style="list-style-type: none"> <li>• Connect the AC power cord to a wall outlet securely.</li> <li>• Make sure the batteries are inserted correctly.</li> </ul>
	The power is not on, and “bAttErY” and “CHECK” are displayed alternately.	<ul style="list-style-type: none"> <li>• Make sure the batteries are inserted correctly.</li> <li>• Replace all the batteries with new ones if they are weak.</li> </ul>
	There is no audio.	<ul style="list-style-type: none"> <li>• Make sure the function you want to use appears in the display window.</li> <li>• Adjust the volume.</li> <li>• Unplug the headphones when listening through speakers.</li> </ul>
	Noise is heard.	<ul style="list-style-type: none"> <li>• Someone is using a portable telephone or other equipment that emits radio waves near the player. → Move the portable telephone, etc., away from the player.</li> </ul>
	“no diSC” lights in the display even when a CD is in place.	<ul style="list-style-type: none"> <li>• Insert the CD with the label surface up.</li> </ul>
CD Player	The CD does not play.	<ul style="list-style-type: none"> <li>• Make sure that the CD compartment is closed.</li> <li>• Place the CD with the label surface up.</li> <li>• Clean the CD.</li> <li>• Take out the CD and leave the CD compartment open for about an hour to dry moisture condensation.</li> <li>• Make sure “Cd” appears in the display.</li> </ul>
	The sound drops out.	<ul style="list-style-type: none"> <li>• Reduce the volume.</li> </ul>
	Noise is heard	<ul style="list-style-type: none"> <li>• Clean the CD, or replace it if the CD is badly damaged.</li> <li>• Place the player in a location free from vibration.</li> <li>• The sound may drop out or noise may be heard if the CD is recorded using a personal computer (CD-R, etc.)</li> </ul>

continued

## Troubleshooting (continued)

	Symptom	Remedy
Radio	The audio is weak or has poor quality.	<ul style="list-style-type: none"> <li>• Replace all the batteries with new ones if they are weak.</li> <li>• Move the player away from the TV.</li> </ul>
	The picture of your TV becomes unstable.	<ul style="list-style-type: none"> <li>• If you are listening to an FM program near the TV with an indoor antenna, move the player away from the TV.</li> </ul>
Tape Player	The tape does not move when you press an operation button.	<ul style="list-style-type: none"> <li>• Close the tape compartment securely.</li> </ul>
	The REC ● button does not function/The tape does not play.	<ul style="list-style-type: none"> <li>• Make sure the safety tab on the cassette is in place.</li> <li>• Make sure "TAPE" appears in the display.</li> </ul>
	The tape does not erase completely.	<ul style="list-style-type: none"> <li>• Clean the erasing head (see page 33).</li> <li>• Replace all the batteries with new ones if they are weak.</li> <li>• The source which was recorded on TYPE II (high position) or TYPE IV (metal) tape using this unit is being played. Record on TYPE I (normal) tape and play.</li> </ul>
	The tape does not record.	<ul style="list-style-type: none"> <li>• Make sure the tape is inserted properly.</li> <li>• Make sure the safety tab of the cassette is in place.</li> </ul>
	The audio is weak/The audio quality is poor. The sound is distorted.	<ul style="list-style-type: none"> <li>• Clean the heads, pinch roller and capstan (see page 33).</li> <li>• Demagnetize the heads using a demagnetizer (see page 33).</li> <li>• The TYPE II (high position) or TYPE IV (metal) tape is being used. Use TYPE I (normal) tape only.</li> </ul>
Timer	The timer does not operate.	<ul style="list-style-type: none"> <li>• Make sure the time on the clock is correct.</li> <li>• Check to see if the AC power had been cut off.</li> <li>• Make sure the ☉ (clock) indication is displayed.</li> </ul>

After trying the above remedies, if you still have problems, unplug the AC power cord and remove all the batteries. After all the indications in the display disappear, plug the power cord and insert the batteries again. If the problem persists, please consult your nearest Sony dealer.



# Maintenance

## Cleaning the lens

If the lens becomes dirty, it may cause a skipping of sound during CD operation. Clean with a commercially available blower.

## Cleaning the tape heads and tape path

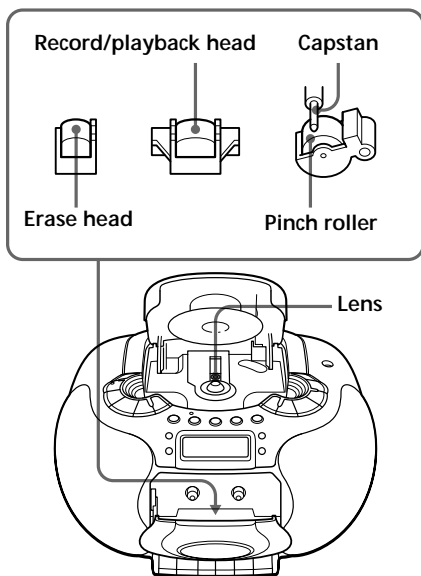
Wipe the heads, the pinch roller and the capstan with a cleaning swab slightly moistened with cleaning fluid or alcohol after every 10 hours of operation for optimum playback and recording quality. To make the best possible recording, however, we recommend that you clean all surfaces over which tape travels before each recording.

## Demagnetizing the tape heads

After 20 to 30 hours of use, enough residual magnetism will have built up on the tape heads to begin to cause loss of high frequency sound and hiss. At this time, you should demagnetize the heads and all metal parts in the tape path with a commercially available tape head demagnetizer.

## Cleaning the cabinet

Clean the cabinet, panel and controls with a soft cloth slightly moistened with a mild detergent solution. Do not use any type of abrasive pad, scouring powder, or solvent, such as alcohol or benzine.



After cleaning, insert a tape when the areas cleaned are completely dry.

# Specifications

## CD player section

### System

Compact disc digital audio system

### Laser diode properties

Material: GaAlAs

Wave length: 780 nm

Emission duration: Continuous

Laser output: Less than 44.6  $\mu$ W

(This output is the value measured at a distance of about 200 mm from the objective lens surface on the optical pick-up block with 7 mm aperture.)

### Spindle speed

200 r/min (rpm) to 500 r/min (rpm) (CLV)

### Number of channels

2

### Frequency response

20 - 20,000 Hz  $\pm 0/-0.5$  dB

### Wow and flutter

Below measurable limit

## Radio section

### Frequency range

---

#### CFD-E55L

FM	87.5 - 108 MHz
----	----------------

MW	531 - 1,602 kHz
----	-----------------

LW	153 - 279 kHz
----	---------------

---

#### CFD-E55

FM	87.6 - 108 MHz
----	----------------

AM	531 - 1,602 kHz
----	-----------------

---

### IF

FM: 10.7 MHz

AM/MW/LW: 450 kHz

### Aerials

FM: Telescopic aerial

AM/MW/LW: Built-in ferrite bar aerial

## Cassette-corder section

### Recording system

4-track 2 channel stereo

### Fast winding time

Approx. 120 sec. with Sony cassette C-60

### Frequency response

TYPE I (normal): 70 - 13,000 Hz

## General

### Speaker

Full range: 8 cm (3 1/4 in.) dia.,  
3.2 ohms, cone type (2)

### Outputs

Headphones jack (stereo minijack)

For 16 - 68 ohms impedance headphones

### Maximum power output

2 W + 2 W

### Power requirements

For CD radio cassette-corder:

230 V AC, 50 Hz

9 V DC, 6 R20 (size D) batteries

For memory back-up:

4.5 V DC, 3 R6 (size AA) batteries

### Power consumption

AC 17 W

### Battery life

For CD radio cassette-corder:

---

#### FM recording

Sony manganese SUM-1 (N): approx. 9 h

Sony alkaline AM-1 (N): approx. 19 h

---

#### Tape playback

Sony manganese SUM-1 (N): approx. 5 h

Sony alkaline AM-1 (N): approx. 14 h

---

#### CD playback

Sony manganese SUM-1 (N): approx. 1.5 h

Sony alkaline AM-1 (N) : approx. 7 h

---

### Dimensions

Approx. 304  $\times$  169  $\times$  262 mm (w/h/d)  
(12  $\times$  6 3/4  $\times$  10 3/8 inches) (incl. projecting parts)

### Mass

Approx. 3.6 kg (7 lb. 15 oz) (incl. batteries)

### Supplied accessories

AC power cord (1)

Design and specifications are subject to change without notice.

## Optional accessories

Sony MDR headphones series

---

# Index

## A

- Alarm 24
- Audio emphasis 28

## B

- Batteries
  - for player 27
  - memory back-up 26

## C

- CD player 12
- Choosing power sources 26
- Cleaning
  - cabinet 33
  - tape heads and tape path 33
- Connecting AC power cord 27
- Count down timer 24
- Creating your own program 16

## D, E, F, G, H

- Demagnetizing the tape heads 33
- Display 12

## I, J, K

- Improving broadcast reception 7

## L

- Listening to the radio 6
- Locating a specific point 13

## M, N, O

- MEGA BASS 28

## P, Q

- Playing
  - a CD 4
  - a tape 8
  - preset radio stations 19
  - tracks repeatedly 14
- Power sources 26
- Presetting radio stations 18
- Program Play 16

## R

- Radio stations
  - playing 19
  - presetting 18
- Recording on a tape 10
- Repeat Play 14

## S

- Selecting
  - audio emphasis 28
  - tracks 5
- Setting the clock 20
- Setting up 26
- Shuffle Play 15
- SOUND 28

## T

- Timer
  - Falling asleep to music 23
  - Waking up to music 21
  - Using the count down timer 24
- Troubleshooting 31

## U, V, W, X, Y, Z

- Using the display 12

---

## ADVERTENCIA

Para evitar incendios o el riesgo de electrocución, no exponga el reproductor a la lluvia ni a la humedad.

Para evitar descargas eléctricas, no abra el sistema. En caso de avería, solicite sólo los servicios de personal especializado.

## Información

Para usuarios en Europa



Este reproductor de discos compactos está clasificado como producto láserico de clase 1. La etiqueta CLASS 1 LASER PRODUCT se encuentra en la parte posterior.

## ADVERTENCIA

No instale el aparato en un espacio cerrado, como una estantería para libros o un armario empotrado.

## Acerca de este manual

Las instrucciones de este manual hacen referencia a los modelos CFD-E55 y CFD-E55L. Antes de comenzar a leerlas, compruebe el número de modelo. Se ha utilizado el modelo CFD-E55L para las ilustraciones.

## Nota

El nombre del interruptor para encender y apagar este reproductor se indica de la siguiente forma:

“OPERATE”: CFD-E55L

“POWER”: CFD-E55

# Indice

## Procedimientos básicos

- 4 Reproducción de un CD
- 6 Radiorecepción
- 8 Reproducción de cintas
- 10 Grabación en una cinta

## Reproductor de discos compactos (CD)

- 12 Utilización del visualizador
- 13 Localización de un punto específico de una canción
- 14 Reproducción repetida de las canciones (Reproducción repetida)
- 15 Reproducción de canciones en orden aleatorio (Reproducción aleatoria)
- 16 Creación de su propio programa (Reproducción programada)

## Radio

- 18 Memorización de emisoras de radiodifusión
- 19 Sintonía de emisoras almacenadas

## Temporizador

- 20 Ajuste del reloj
- 21 Activación automática de la unidad
- 23 Desactivación automática de la unidad
- 24 Uso del temporizador de cuenta atrás

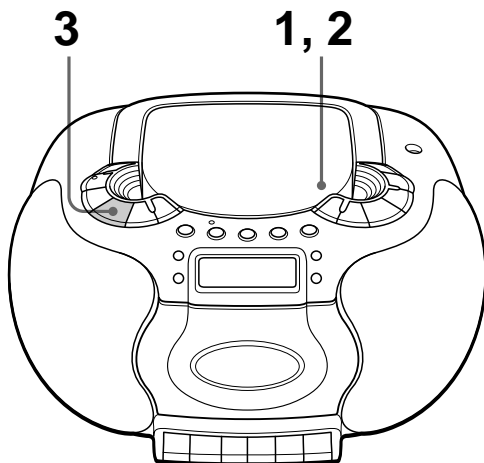
## Preparativos

- 26 Selección de la fuente de alimentación
- 28 Selección del énfasis de audio (SOUND/MEGA BASS)

## Información complementaria

- 29 Precauciones
- 31 Solución de problemas
- 33 Mantenimiento
- 34 Especificaciones
- 35 Índice alfabético
- 35 Uso del temporizador de cuenta atrás

# Reproducción de un CD

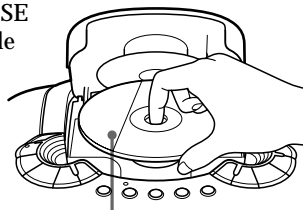


Conecte el cable de alimentación de CA suministrado (consulte la página 26).

1



Presione **▲PUSH OPEN/CLOSE** para abrir el compartimento de discos y coloque el CD.

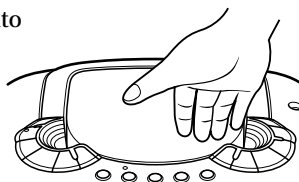


Con el lado de la etiqueta hacia arriba

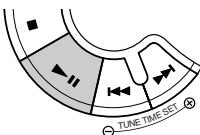
2



Cierre la tapa del compartimento de discos.



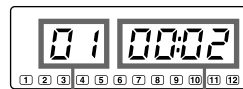
3



Presione **▶||**.

El reproductor se enciende (activación directa) y el reproductor reproduce todas las canciones una vez.

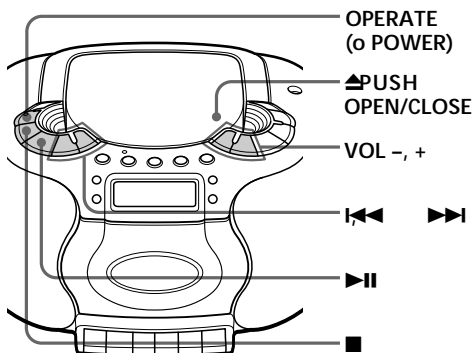
Visualizador



Número de canción

Tiempo de reproducción

Utilice estas teclas para realizar procedimientos adicionales

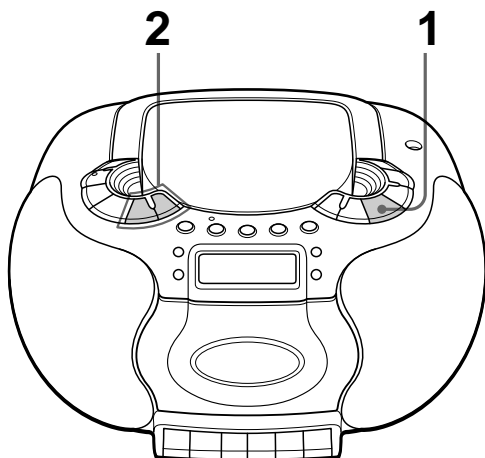


**Consejo**

La próxima vez que desee escuchar un CD, basta con presionar ▶||. El reproductor se enciende automáticamente e inicia la reproducción del CD.

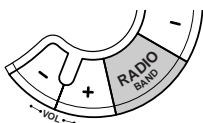
Para	Presione
ajustar el volumen	VOL +, -
cesar la reproducción	■
realizar una pausa	▶   Vuelva a presionar la tecla para reanudar la reproducción después de la pausa.
pasar a la siguiente canción	▶▶
retroceder a la canción anterior	◀◀
extraer el disco	▲PUSH OPEN/CLOSE
encender/apagar el reproductor	OPERATE (o POWER, consulte la página 2)

# Radiorecepción



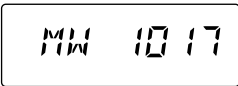
Conecte el cable de alimentación de CA suministrado (consulte la página 26).

1



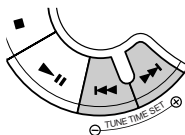
Presione RADIO BAND hasta que la banda que desee aparezca en el visualizador (activación directa).

Visualizador



MW 1017

2



Mantenga presionada TUNE TIME SET + o - hasta que los dígitos de frecuencia comiencen a cambiar en el visualizador.

Indica una emisión estéreo de FM.



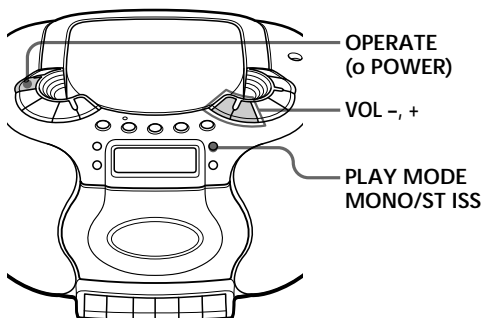
FM 89.20

El reproductor explora automáticamente las frecuencias de radio y se detiene al encontrar una emisora con sonido nítido.

Si no puede sintonizar una emisora, presione la tecla varias veces y cambie la frecuencia intervalo a intervalo.



### Utilice estas teclas para realizar procedimientos adicionales



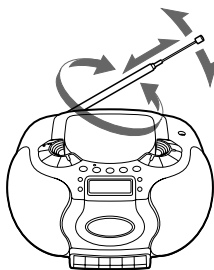
#### Consejos

- Si la emisión en FM presenta ruido, presione **PLAY MODE•MONO/ST ISS** hasta que aparezca "Mono" en el visualizador; la radio sintonizará la emisión en modo monofónico.
- La próxima vez que desee escuchar la radio, basta con presionar la tecla **RADIO BAND**. La radio se enciende automáticamente e inicia la reproducción de la emisora anterior.

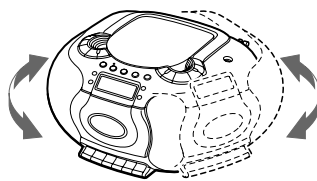
Para	Presione
ajustar el volumen	VOL +, -
encender/apagar la radio	OPERATE (o POWER, consulte la página 2)

#### Para mejorar la recepción de la radio

Reoriente la antena para FM y el reproductor para AM o MW/LW.

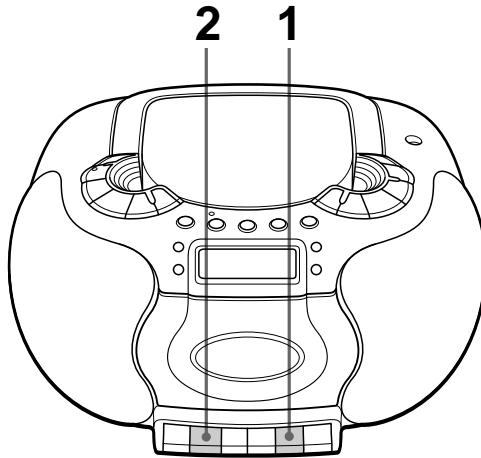


Para FM



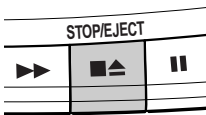
Para AM/MW/LW

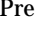
# Reproducción de cintas

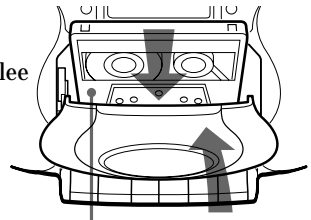


Conecte el cable de alimentación de CA suministrado (consulte la página 26).

1

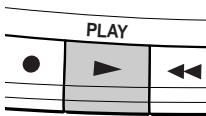



Presione  para abrir el compartimiento de la cinta e inserte una cinta grabada. Emplee sólo cintas TYPE I (normal). Cierre el compartimiento.



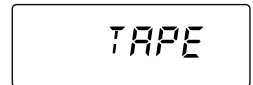
Con la cara que desea reproducir hacia arriba

2

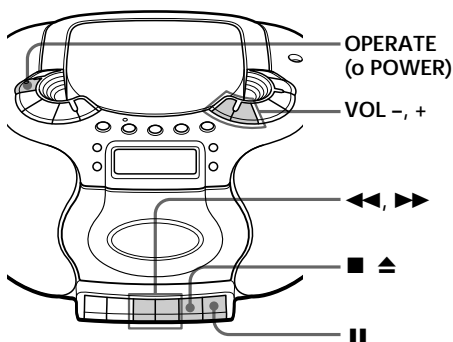


Presione . El reproductor se enciende (activación directa) e inicia la reproducción.

Visualizador



## Utilice estas teclas para realizar procedimientos adicionales

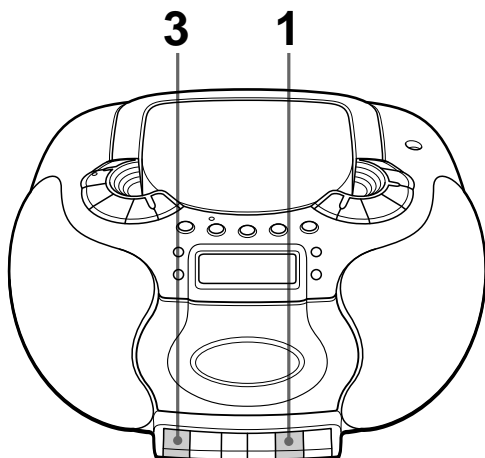


### Consejo

La próxima vez que desee escuchar una cinta, basta con presionar ►. El reproductor se enciende automáticamente e inicia la reproducción de la cinta.

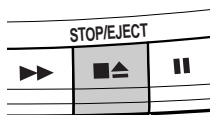
Para	Presione
ajustar el volumen	VOL +, -
cesar la reproducción	■▲
avanzar rápidamente o rebobinar la cinta	▶▶ o ◀◀
realizar una pausa	 Vuelva a presionar la tecla para reanudar la reproducción después de la pausa.
extraer el cassette	■▲
encender/apagar el reproductor	OPERATE (o POWER, consulte la página 2)

# Grabación en una cinta

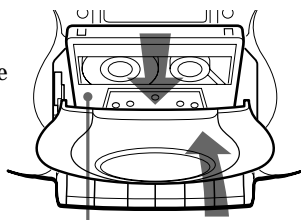


Conecte el cable de alimentación de CA suministrado (consulte la página 26).

1

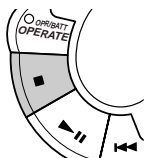


Presione ■▲ para abrir el compartimiento de cintas e inserte una cinta virgen. Emplee sólo cintas TYPE I (normal).



Con la cara que desea grabar hacia arriba

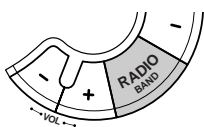
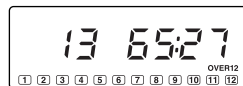
2



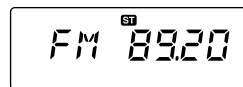
Seleccione la fuente de programa que desee grabar.

Para grabar desde el reproductor de discos compactos, inserte un CD (consulte la página 4) y presione ■ de la sección de CD.

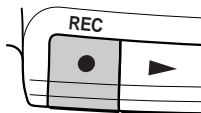
Visualizador



Para grabar desde la radio, sintonice la emisora deseada (consulte la página 6).



3

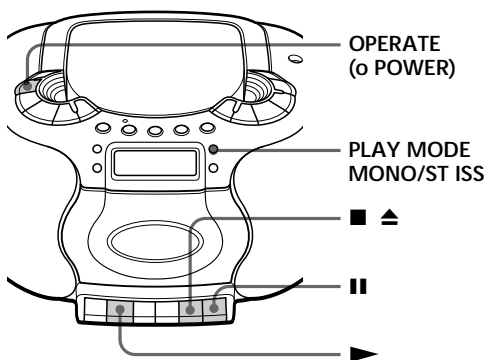


Presione ● para iniciar la grabación (▶ se presiona automáticamente).

**Consejos**

- Los ajustes del volumen o del énfasis de sonido no afectarán al nivel de grabación (consulte la página 28).
- Si durante la recepción de un programa de AM/MW/LW se percibe un sonido silbante después de presionar ● en el paso 3, presione PLAY MODE • MONO/ST ISS (interruptor de supresión de interferencias) varias veces hasta que el ruido sea mínimo.
- Para obtener los mejores resultados posibles, emplee la fuente de alimentación de CA.
- Para borrar grabaciones, realice lo siguiente:
  - 1 Inserte la cinta cuya grabación desee borrar.
  - 2 Presione ||
  - 3 Presione ▶
  - 4 Presione ●
  - 5 Presione ||

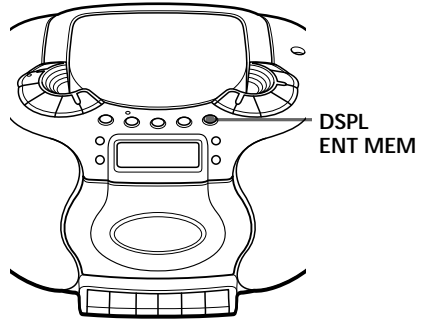
Utilice estas teclas para realizar operaciones adicionales



Para	Presione
cesar la grabación	■▲
realizar una pausa durante la grabación	 Vuelva a presionar la tecla para reanudar la grabación.
encender/apagar el reproductor	OPERATE (o POWER, consulte la página 2)

# Utilización del visualizador

Puede comprobar la información sobre el disco en el visualizador.



## Comprobación del número total de canciones y del tiempo de reproducción

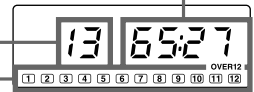
Presione DSPL ENT MEM en modo de parada.

Si el disco contiene más de 12 canciones, la indicación “OVER 12” aparece en el visualizador.

Tiempo total de reproducción

Número total de canciones

Calendario musical



## Comprobación del tiempo restante

Presione DSPL ENT MEM mientras reproduce un disco.

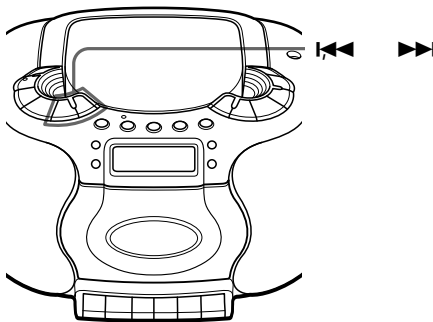
Los números de canción del calendario musical desaparecen después de reproducirse.

Para visualizar	Presione DSPL ENT MEM
el número de canción actual y el tiempo restante de ésta*	una vez
número de canciones y tiempo del disco restantes	dos veces
el número de canción actual y tiempo de reproducción	tres veces

\* Para las canciones de número superior a 20, el tiempo restante aparece en el visualizador con la forma “- -: -”.

# Localización de un punto específico de una canción

Es posible encontrar rápidamente un punto específico de una canción mientras se reproduce un CD.

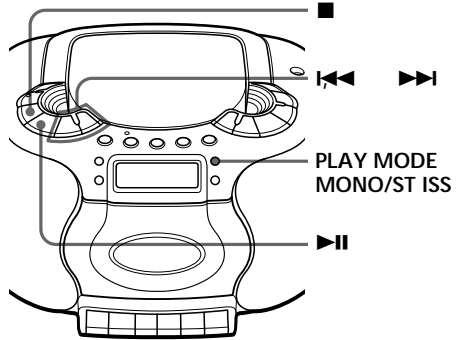


Para localizar	Presione
un punto mientras escucha el sonido	▶▶ (hacia delante) o ◀◀ (hacia atrás) durante la reproducción y manténgala presionada hasta encontrar el punto
un punto mientras observa el visualizador	▶▶ (hacia delante) o ◀◀ (hacia atrás) durante una pausa y manténgala presionada hasta encontrar el punto

# Reproducción repetida de las canciones

(Reproducción repetida)

Puede reproducir las canciones repetidamente en los modos de reproducción normal, aleatoria o programada (consulte las páginas 15 - 17).



**1** Presione ■.

La indicación “Cd” aparece en el visualizador.

**2** Realice lo siguiente.

Para repetir	Realice lo siguiente
una sola canción	<p>1 Presione PLAY MODE•MONO/ST ISS hasta que aparezca “REP 1”.</p> <p>2 Presione ◀◀ o ▶▶ para seleccionar la canción que desee repetir.</p> <p>3 Presione ▶▶.</p>
todas las canciones	<p>1 Presione PLAY MODE•MONO/ST ISS hasta que aparezca “REP ALL”.</p> <p>2 Presione ▶▶.</p>
canciones en orden aleatorio	<p>1 Presione PLAY MODE•MONO/ST ISS hasta que aparezca “SHUF REP”.</p> <p>2 Presione ▶▶.</p>
canciones programadas	<p>1 Presione PLAY MODE•MONO/ST ISS hasta que aparezca “PGM REP”.</p> <p>2 Programe canciones (consulte el paso 3 de la página 16).</p> <p>3 Presione ▶▶.</p>

**Para cancelar la reproducción repetida**

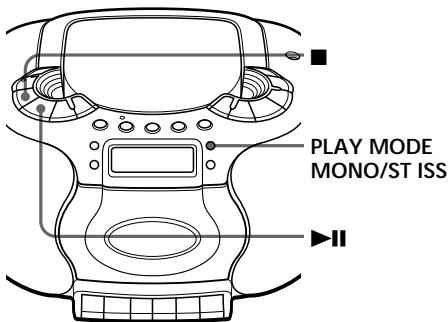
Presione PLAY MODE•MONO/ST ISS hasta que “REP” desaparezca del visualizador.



# Reproducción de canciones en orden aleatorio

(Reproducción aleatoria)

Es posible reproducir las canciones en orden aleatorio.



Reproductor de discos compactos (CD)

- 1** Presione ■.  
“Cd” aparece en el visualizador.
- 2** Presione PLAY MODE•MONO/ST ISS hasta que aparezca “SHUF” en el visualizador.
- 3** Presione ▶|| para iniciar la reproducción aleatoria.

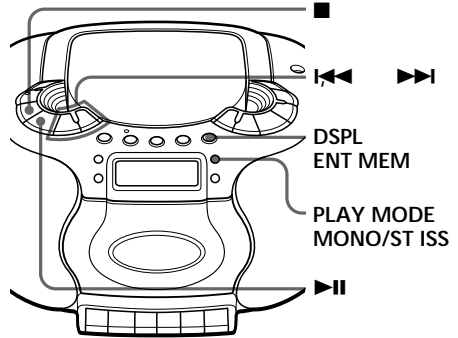
## Para cancelar la reproducción aleatoria

Presione PLAY MODE•MONO/ST ISS hasta que desaparezca “SHUF” del visualizador.

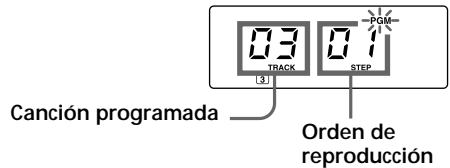
# Creación de su propio programa

(Reproducción programada)

Puede crear un programa compuesto por un máximo de 20 canciones en el orden que desee reproducirlas.



- 1 Presione ■.  
La indicación "Cd" aparece en el visualizador.
- 2 Presione PLAY MODE • MONO/ST ISS hasta que la indicación "PGM" aparezca en el visualizador.
- 3 Presione ◀◀ o ▶▶ y, a continuación, DSPL ENT MEM para las canciones que desee programar en el orden que desee.



Las canciones programadas aparecen en el calendario musical.

- 4 Presione ▶▶ para iniciar la reproducción programada.

### Consejos

- Es posible volver a reproducir el mismo programa, ya que éste queda almacenado hasta que abra el compartimiento de discos compactos.
- Puede grabar su propio programa. Después de crear el programa, inserte una cinta virgen y presione ● para iniciar la grabación.

### Para cancelar la reproducción programada

Presione PLAY MODE • MONO/ST ISS hasta que "PGM" desaparezca del visualizador.

### Para comprobar el orden de las canciones antes de la reproducción

Presione DSPL ENT MEM.

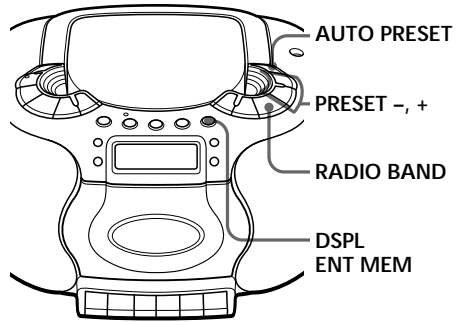
Cada vez que presione la tecla, el número de canción aparece en el orden programado.

### Para cambiar el programa actual

Presione ■ una vez si el CD está parado y dos veces si está reproduciéndose. El programa actual se borrará. A continuación, cree un nuevo programa siguiendo el procedimiento de programación.

# Memorización de emisoras de radiodifusión

Es posible almacenar emisoras de radio en la memoria del reproductor. Es posible predefinir hasta 30 emisoras de radio (CFD-E55L) o 20 emisoras de radio (CFD-E55), 10 de cada banda en cualquier orden.



- 1** Presione RADIO BAND hasta que la banda que desea predefinir aparezca en el visualizador.
- 2** Mantenga presionada AUTO PRESET durante 2 segundos hasta que "AUTO" aparezca en el visualizador.

Las emisoras se almacenan en memoria desde las frecuencias inferiores hasta las superiores.

## Si no es posible predefinir una emisora automáticamente

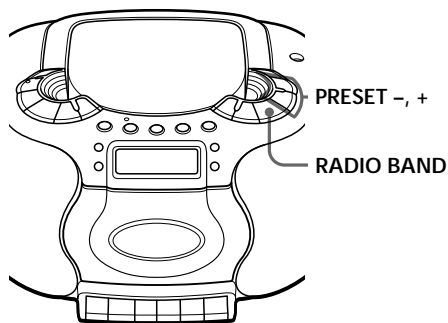
Las emisoras cuya señal sea débil deben predefinirse manualmente.

- 1** Presione RADIO BAND para seleccionar la banda.
- 2** Sintonice la emisora deseada.
- 3** Mantenga presionada DSPL ENT MEM durante 2 segundos.
- 4** Presione PRESET + o - hasta que el número de programación (de 1 a 10) en el que desee predefinir la emisora parpadee en el calendario musical.
- 5** Presione DSPL ENT MEM de nuevo.

La nueva emisora sustituye a la antigua.

# Sintonía de emisoras almacenadas

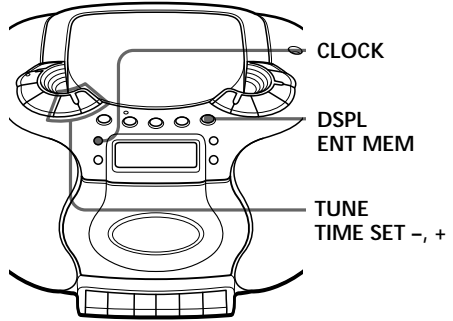
Una vez programadas las emisoras, utilice PRESET + o - en el reproductor para sintonizar sus emisoras favoritas.



- 1** Presione RADIO BAND para seleccionar la banda.
- 2** Presione PRESET + o - para sintonizar una emisora almacenada.

# Ajuste del reloj

El visualizador mostrará la indicación “-:-:-” hasta que ajuste el reloj.



## Consejo

Sistema de visualización de la hora:  
CFD-E55:  
Sistema de 12 horas  
CFD-E55L:  
Sistema de 24 horas

Antes de poner el reloj en hora, conecte la fuente de alimentación (consulte la página 26).

- 1 Mantenga presionada CLOCK durante 2 segundos hasta que los dígitos de la hora parpadeen.



- 2 Presione TUNE TIME SET + o - hasta ajustar la hora actual. A continuación, presione DSPL ENT MEM.

Los dígitos de los minutos parpadean. Ajuste los minutos presionando TUNE TIME SET + o - hasta que aparezcan los minutos correctos.

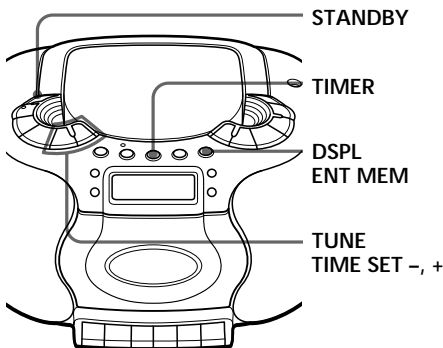


- 3 Presione DSPL ENT MEM.

El reloj se pone en funcionamiento a partir de 00 segundos.

# Activación automática de la unidad

Puede programar la hora de activación de la unidad para despertarse con música. Asegúrese de haber ajustado el reloj (Consulte “Ajuste del reloj” en la página 20).



Antes de comenzar, compruebe que la indicación ☺ (reloj) no está iluminada en el visualizador. Si lo está, presione STANDBY.

- 1 Prepare la fuente musical que desee reproducir.

Para reproducir	Realice lo siguiente
la radio	Sintonice una emisora
un CD	Inserte un CD

- 2 Presione TIMER.

La indicación ☺ (reloj) y la fuente musical (“Cd” o “RADIO”) parpadean.

- 3 Seleccione la fuente musical (“Cd” o “RADIO”) presionando TUNE TIME SET + o - y, a continuación, DSPL ENT MEM.

- 4 Ajuste el temporizador a la hora que desee activar la música presionando TUNE TIME SET + o - y, a continuación, DSPL ENT MEM.



Ajuste los minutos y, a continuación, presione DSPL ENT MEM.

- 5 Defina en el temporizador la hora y los minutos en que desea que se desactive la música. (Realice la acción del paso 4.)

continúa

## Activación automática de la unidad (continuación)

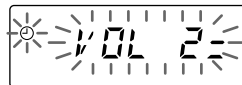
### Consejos

- Para salir del modo de espera, presione STANDBY para que ☹️ desaparezca del visualizador.
- Los ajustes programados se conservan hasta que vuelva a ajustarlos.

### Nota

Al pulsar el botón ► o ● del reproductor de cintas en el modo de temporizador:  
Si la longitud de una cara de la cinta supera la hora ajustada, el reproductor se apagará al final de la cinta, no a la hora ajustada.

- 6** Presione TUNE TIME SET + o - para ajustar el volumen y, a continuación, DSPL ENT MEM.



- 7** Presione STANDBY.

La indicación ☹️ se ilumina y la alimentación se desactiva.

A la hora programada, la unidad se encenderá y la música se reproducirá. A continuación, la unidad se apagará a la hora programada y el reproductor entrará en el modo de espera.

### Para comprobar o modificar el momento de inicio de la reproducción

Presione TIMER y, a continuación, DSPL ENT MEM. Cada vez que presione DSPL ENT MEM, aparecerá un ajuste almacenado en el orden ajustado. Para cambiar el ajuste, muestre el que desee cambiar y vuelva a introducirlo.

### Para emplear el reproductor antes del inicio de una reproducción con temporizador

Basta con encender el reproductor y emplearlo con normalidad.

Si apaga el reproductor antes de la hora programada, la reproducción con temporizador se iniciará a la hora definida.

No obstante, en el caso de la radio, si escucha una emisora diferente de la sintonizada en el paso 1 de la página 21, escuchará esa emisora a la hora programada. Asegúrese de sintonizar la emisora que desee escuchar antes de apagar el reproductor.

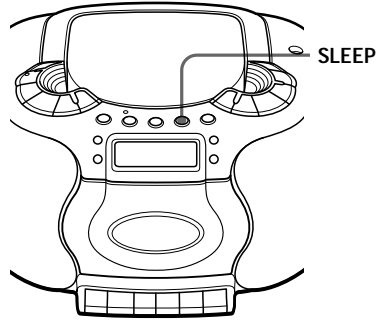
### Para detener la reproducción

Presione OPERATE (o POWER) para desactivar la alimentación.



# Desactivación automática de la unidad

Es posible ajustar el reproductor para que se desactive automáticamente transcurridos 10, 20, 30, 60, 90 y 120 minutos, de forma que pueda dormirse mientras escucha música.



## Consejo

- Es posible dormirse y despertarse con música diferente. Ajuste primero el temporizador de activación (consulte la página 21), active la alimentación y, a continuación, ajuste el temporizador de desactivación. No obstante, no es posible almacenar emisoras de radio diferentes.
- Es posible definir niveles de volumen diferentes para el temporizador de activación y para el de desactivación. Por ejemplo, puede quedarse dormido con un nivel de volumen menor y despertarse con un volumen mayor.

## Nota

Cuando reproduzca una cinta utilizando esta función:  
Si la duración de una cara de la cinta es superior al tiempo establecido, el reproductor no se detendrá hasta que la cinta llegue al final.

- 1 Reproduzca la fuente musical que desee.
- 2 Presione SLEEP para que aparezca "SLEEP".
- 3 Presione SLEEP para seleccionar los minutos en que el reproductor se desactivará automáticamente.

Cada vez que presione la tecla, la indicación cambia como se indica a continuación:

"60" → "90" → "120" →  
sin indicación → "10" →  
"20" → "30".

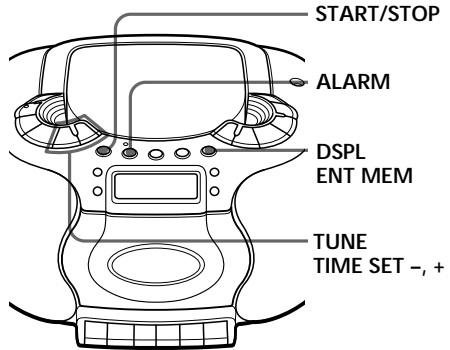


## Para cancelar la función de desactivación automática

Presione OPERATE (o POWER) para desactivar la alimentación.

# Uso del temporizador de cuenta atrás

Es posible programar el reproductor para que reproduzca música o emita un pitido transcurrido un periodo de tiempo especificado, lo que resulta útil como cronómetro de cocina, etc.



## 1 Presione ALARM.

La indicación de tiempo parpadea.



## 2 Presione TUNE TIME SET + o - para que aparezca el espacio de tiempo (1 a 60 minutos) y presione DSPL ENT MEM.

## 3 Presione TUNE TIME SET + o - para seleccionar el sonido de la alarma y presione DSPL ENT MEM.

Visualizador	Sonido de la alarma
bEEP	pitido
MUSIC	“La primavera” perteneciente a “Le Quattro Stagioni (Las cuatro estaciones)” de Vivaldi

## 4 Presione TUNE TIME SET + ou - para seleccionar el volumen del sonido y presione DSPL ENT MEM.

Visualizador	Volumen
LO	bajo
HI	alto

**Consejo**

Dado que los ajustes se almacenan, podrá activar el temporizador de cuenta atrás de forma sencilla presionando START/STOP.

Para cambiar el ajuste, programe el elemento deseado en primer lugar y, a continuación, presione START/STOP. Cerciórese de que la indicación ALARM está iluminada.

**5** Presione START/STOP para activar el temporizador de cuenta atrás.

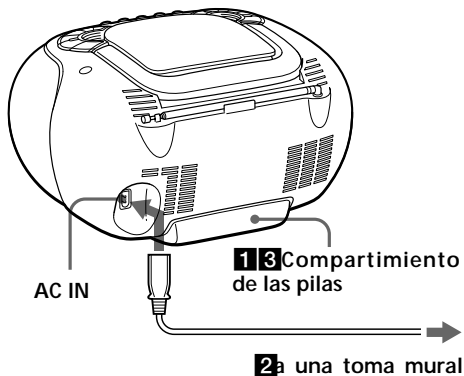
El indicador ALARM se ilumina y el temporizador de cuenta atrás empieza a funcionar.

Transcurrido el periodo de tiempo especificado, la alarma sonará durante 20 segundos.

**Para que la alarma deje de sonar**  
Presione START/STOP.

# Selección de la fuente de alimentación

Puede utilizar la alimentación de CA o las pilas como fuente de alimentación.



## Nota

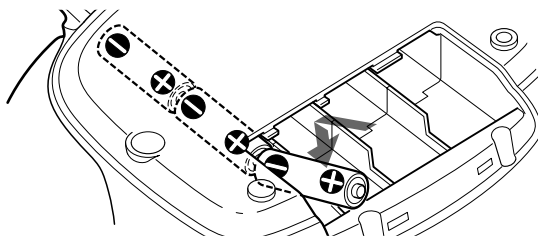
Antes de sustituir las pilas, asegúrese de extraer el CD del reproductor.

## Sugerencia

Si el cable de alimentación de CA está desconectado y no hay pilas insertadas para alimentar el reproductor (pero con pilas de respaldo insertadas), la indicación de la hora del visor se atenuará para evitar el desgaste de las pilas.

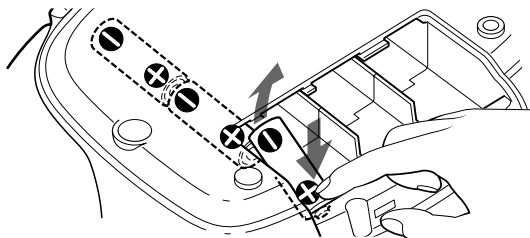
## 1 Inserción de las pilas de respaldo

Inserte cuatro pilas R6 (tamaño AA) (no suministradas) en el compartimento de pilas. Estas pilas sirven para proteger los datos de la memoria.



## Sustitución de las pilas

Saque las pilas como se ilustra.



**Consejo**

Si utiliza el reproductor con pilas, sustituya las pilas de respaldo cuando la indicación de tiempo se atenúe o no pueda controlar el temporizador.

Reemplace todas las pilas por otras nuevas. Con un uso normal, las pilas de respaldo deben durar aproximadamente seis meses. Para guardar los datos de la memoria, sustituya las pilas por el cable de alimentación de CA conectado.

**Nota**

Antes de sustituir las pilas, asegúrese de extraer el CD del reproductor.

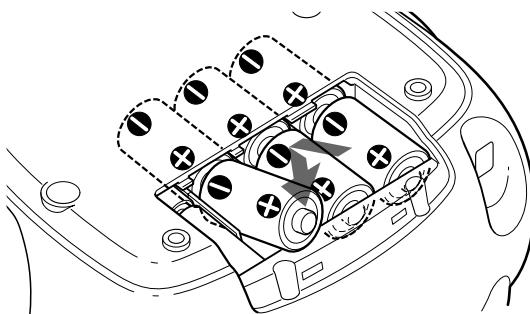
**2 Conexión del cable de alimentación de CA**

Inserte un extremo del cable de alimentación de CA suministrado en la clavija AC IN situada en la parte posterior del reproductor, y el otro extremo en la toma mural.

**3 Utilización del reproductor con pilas**

Inserte seis pilas R20 (tamaño D) (no suministradas) en el compartimiento de las pilas.

Para utilizar el reproductor con las pilas, desconecte el cable de alimentación de CA del mismo.

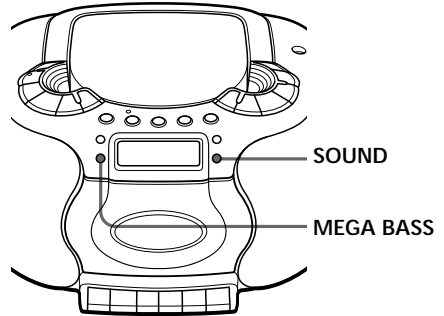
**Sustitución de las pilas**

Sustituya todas las pilas por otras nuevas si el indicador OPR/BATT presenta una luz tenue, o si el reproductor deja de funcionar.

# Selección del énfasis de audio

## (SOUND/MEGA BASS)

Puede ajustar el énfasis de audio del sonido que esté escuchando.



### Selección de las características de sonido

Presione SOUND varias veces para seleccionar el énfasis de audio que desee.

Elija	Para obtener
ROCK	sonidos potentes y limpios con énfasis de las gamas baja y alta de audio
POP	sonidos brillantes y ligeros con énfasis de las gamas alta y media de audio
LIVE	sonidos de percusión con énfasis en los graves
VOCAL	sonidos vocales con énfasis de la gama media de audio
OFF	la gama dinámica completa de música, como clásica

### Refuerzo de los graves

Presione MEGA BASS.

"MEGA BASS" aparece en el visualizador.

Para recuperar el sonido normal, vuelva a presionar la tecla.

# Precauciones

## Seguridad

- No desmonte el aparato, ya que el haz láser utilizado en la sección del reproductor de discos compactos es perjudicial para los ojos. Solicite asistencia técnica sólo a personal especializado.
- Si cae algún objeto sólido o se vierte líquido sobre el reproductor, desenchúfelo y haga que se lo revise personal especializado antes de volver a utilizarlo.

## Fuentes de alimentación

- Para el funcionamiento con CA, utilice el cable de alimentación de CA suministrado; no utilice ningún otro tipo de cable.
- El reproductor no estará desconectado de la fuente de alimentación de CA (corriente eléctrica) mientras esté conectado a la toma mural, incluso si ha apagado el reproductor.
- Para el funcionamiento con pilas, utilice seis pilas R20 (tamaño D).
- Si no va a utilizar las pilas, extráigalas para evitar daños que podría causar el derrame del electrolito o la corrosión de las mismas.
- La placa de características que indica la tensión de funcionamiento, consumo de energía, etc., está situada en la parte inferior.

## Colocación

- No deje el reproductor en un lugar cercano a fuentes térmicas ni expuesto a la luz solar directa, al polvo excesivo ni a golpes mecánicos.
- No coloque el reproductor en un lugar inclinado ni inestable.
- No coloque nada a una distancia inferior a 10 mm. de los lados del aparato. Procure no obstruir los orificios de ventilación para lograr el funcionamiento apropiado y prolongar la duración de sus componentes.
- Si deja el reproductor en el automóvil aparcado al sol, elija un lugar dentro del automóvil donde la unidad no esté expuesta a los rayos directos del sol.
- Ya que los altavoces están provistos de imanes potentes, mantenga alejados del reproductor tarjetas personales de crédito con codificación magnética y relojes de cuerda para prevenir posibles daños producidos por los imanes.

continúa

---

## Precauciones (continuación)

### Funcionamiento

- Si desplaza el reproductor directamente de un lugar frío a otro cálido, o si lo coloca en una sala muy húmeda, puede condensarse humedad en la lente del interior de la sección del reproductor de discos compactos. Si esto ocurre, el reproductor no funcionará adecuadamente. En este caso, extraiga el CD y espere durante una hora aproximadamente hasta que se evapore la humedad.
- Si no ha utilizado el reproductor durante mucho tiempo, déjelo durante unos minutos en el modo de reproducción para que se caliente antes de insertar un cassette.

Si desea realizar alguna consulta o solucionar algún problema referente al reproductor, póngase en contacto con el proveedor Sony más próximo.

### Notas sobre discos compactos

- Antes de la reproducción, limpie el CD con un paño de limpieza desde el centro hacia los bordes.



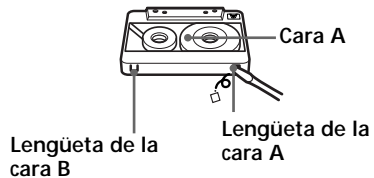
- No utilice disolventes como bencina, diluyentes, limpiadores comercialmente disponibles o rociadores antiestáticos destinados a discos analógicos.

- No exponga el CD a la luz solar directa ni a fuentes térmicas como conductos de aire caliente; tampoco lo deje en un automóvil aparcado al sol, ya que puede producirse un considerable aumento de temperatura en el interior del automóvil.
- No adhiera papeles ni adhesivos sobre el CD, ni arañe su superficie.
- Tras la reproducción, guarde el CD en su caja.

Si el disco está rayado, sucio o tiene huellas dactilares, pueden producirse errores de seguimiento.

### Notas sobre cassettes

- Rompa la lengüeta del cassette de la cara A o B para evitar grabaciones accidentales. Si desea volver a utilizar la cinta para realizar grabaciones, cubra el orificio de la lengüeta rota con cinta adhesiva.



- No se recomienda el uso de cassettes de tiempo de reproducción superior a 90 minutos, excepto para grabación o reproducción continua y de larga duración.



# Solución de problemas

	Síntoma	Solución
General	La alimentación no se activa.	<ul style="list-style-type: none"><li>• Conecte el cable de alimentación de CA a una toma mural con firmeza.</li><li>• Asegúrese de que ha insertado las pilas correctamente.</li></ul>
	La alimentación no se activa y los indicadores "bAttErY" y "CHECK" aparecen alternativamente.	<ul style="list-style-type: none"><li>• Asegúrese de que ha insertado las pilas correctamente.</li><li>• Sustituya todas las pilas por otras nuevas si disponen de poca energía.</li></ul>
	Carencia de sonido.	<ul style="list-style-type: none"><li>• Compruebe que la función que desee emplear aparezca en el visualizador.</li><li>• Ajuste el volumen.</li><li>• Desenchufe los auriculares cuando escuche a través de los altavoces.</li></ul>
	Se oye ruido.	<ul style="list-style-type: none"><li>• Alguien está utilizando un teléfono móvil u otro equipo que emite ondas de radio cerca del reproductor. → Aleje dicho teléfono, etc., del reproductor.</li></ul>
Reproductor de discos compactos	La indicación "no diSC" se ilumina en el visualizador aunque haya un CD insertado.	<ul style="list-style-type: none"><li>• Inserte el CD con la superficie de la etiqueta hacia arriba.</li></ul>
	El CD no se reproduce.	<ul style="list-style-type: none"><li>• Compruebe que el compartimiento de discos compactos está cerrado.</li><li>• Coloque el CD con la superficie de la etiqueta hacia arriba.</li><li>• Limpie el CD.</li><li>• Extraiga el CD y deje abierto el compartimiento de discos compactos durante una hora aproximadamente hasta que se seque la condensación de humedad.</li><li>• Asegúrese de que la indicación "Cd" aparece en el visualizador.</li></ul>
	Pérdida de sonido. Se oye ruido.	<ul style="list-style-type: none"><li>• Reduzca el volumen.</li><li>• Limpie el CD o sustitúyalo si está gravemente dañado.</li><li>• Sitúe el reproductor en un lugar sin vibraciones.</li><li>• Si el CD se graba mediante un ordenador personal (CD-R, etc.), el sonido puede perderse o escucharse ruido.</li></ul>

continúa

## Solución de problemas (continuación)

	Síntoma	Solución
Radio	El sonido es demasiado bajo o presenta mala calidad.	<ul style="list-style-type: none"> <li>• Sustituya todas las pilas por otras nuevas si están débiles.</li> <li>• Aleje el reproductor del televisor.</li> </ul>
	La imagen del televisor no es estable.	<ul style="list-style-type: none"> <li>• Si escucha un programa en FM cerca del televisor con una antena interior, aleje el reproductor del televisor.</li> </ul>
Reproductor de cintas	La cinta permanece inmóvil cuando presiona una tecla de funcionamiento.	<ul style="list-style-type: none"> <li>• Cierre el compartimiento de la cinta con firmeza.</li> </ul>
	La tecla REC ● no funciona/La cinta no se reproduce.	<ul style="list-style-type: none"> <li>• Asegúrese de que el cassette está provisto de lengüeta de seguridad.</li> <li>• Asegúrese de que la indicación "TAPE" aparece en el visualizador.</li> </ul>
	La cinta no se borra por completo.	<ul style="list-style-type: none"> <li>• Limpie las cabezas borradoras (consulte la página 33).</li> <li>• Sustituya todas las pilas por otras nuevas si están débiles.</li> <li>• Se está reproduciendo una fuente que se grabó en una cinta TYPE II (posición alta) o TYPE IV (metal) con esta unidad. Grabe en una cinta TYPE I (normal) y reproduzca.</li> </ul>
	La cinta no puede grabarse.	<ul style="list-style-type: none"> <li>• Asegúrese de que ha insertado la cinta correctamente.</li> <li>• Asegúrese de que el cassette está provisto de lengüeta de seguridad.</li> </ul>
	El sonido es débil o de mala calidad. El sonido se distorsiona.	<ul style="list-style-type: none"> <li>• Limpie las cabezas, el rodillo compresor y el eje de arrastre (consulte la página 33).</li> <li>• Desmagnetice las cabezas con un desmagnetizador (consulte la página 33).</li> <li>• Está utilizando cintas TYPE II (posición alta) o TYPE IV (metal). Emplee sólo cintas TYPE I (normal).</li> </ul>
Temporizador	El temporizador no funciona.	<ul style="list-style-type: none"> <li>• Asegúrese de que el reloj muestra la hora correcta.</li> <li>• Compruebe si se ha producido un corte de suministro de CA.</li> <li>• Compruebe que el visualizador muestra la indicación ☹ (reloj).</li> </ul>

Si los problemas persisten después de haber realizado las soluciones sugeridas, desenchufe el cable de alimentación de CA y extraiga todas las pilas. Una vez que desaparezcan todas las indicaciones del visualizador, enchufe el cable de alimentación y vuelva a insertar las pilas. Si el problema persiste, póngase en contacto con el proveedor Sony más próximo.

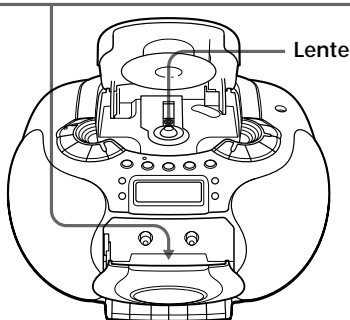
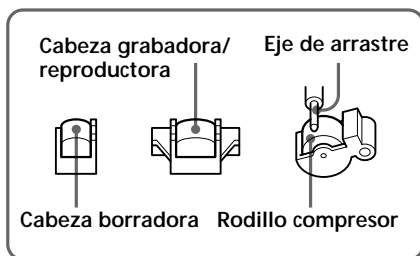
# Mantenimiento

## Limpieza de la lente

Si la lente se ensucia, pueden producirse pérdidas de sonido durante la reproducción del CD. Límpiela con un soplador disponible en las tiendas del ramo.

## Limpieza de las cabezas y la trayectoria de la cinta

Para obtener una calidad de reproducción y grabación óptima, limpie las cabezas, el rodillo compresor y el eje de arrastre con una escobilla de limpieza ligeramente humedecida en un líquido limpiador o alcohol cada 10 horas de funcionamiento. Sin embargo, para realizar grabaciones con la mayor calidad posible, se recomienda limpiar todas las superficies por las que se desliza la cinta antes de cada grabación.



Una vez realizada la limpieza, inserte una cinta cuando las zonas limpiadas estén completamente secas.

## Desmagnetización de las cabezas de cinta

Tras 20 a 30 horas de uso, se concentra suficiente cantidad de magnetismo residual en las cabezas de cinta para empezar a causar pérdida de sonido de alta frecuencia y siseo. Llegado este momento, deben desmagnetizarse las cabezas y todos los componentes de metal del recorrido de la cinta con un desmagnetizador de cabezas que podrá adquirir en una tienda del ramo.

## Limpieza del exterior

Limpie la caja, el panel y los controles con un paño suave ligeramente humedecido en una solución detergente poco concentrada. No utilice estropajos, detergentes abrasivos ni disolventes como alcohol o bencina.

# Especificaciones

## Sección del reproductor de discos compactos

### Sistema

Sistema audiodigital de discos compactos

### Propiedades del diodo láser

Material: GaAlAs

Longitud de onda: 780 nm

Duración de emisión: Continua

Salida de láser: Menos de 44,6  $\mu$ W

(Esta salida es el valor medido a una distancia de unos 200 mm de la superficie del objetivo del bloque fonocaptor óptico con una apertura de 7 mm)

### Velocidad del eje

200 rev./min. (rpm) a 500 rev./min. (rpm) (CLV)

### Número de canales

2

### Respuesta de frecuencia

20 - 20.000 Hz +0/-0,5 dB

### Fluctuación y trémolo

Por debajo del límite medible

## Sección de la radio

### Margen de frecuencias

#### CFD-E55L

FM 87,5 - 108 MHz

MW 531 - 1.602 kHz

LW 153 - 279 kHz

#### CFD-E55

FM 87,6 - 108 MHz

AM 531 - 1.602 kHz

### IF

FM: 10,7 MHz

AM/MW/LW: 450 kHz

### Antenas

FM: Antena telescópica

AM/MW/LW: Barra de ferrita incorporada

## Sección de la grabadora de cassettes

### Sistema de grabación

4 pistas, 2 canales estéreo

### Tiempo de bobinado rápido

120 seg. aprox. con cassettes Sony C-60

### Respuesta de frecuencia

TYPE I (normal): 70 - 13.000 Hz

## General

### Altavoz

Gama completa: 8 cm. de diám.,  
3,2 ohmios, tipo cónico (2)

### Salidas

Toma de auriculares (minitoma estéreo)

Para auriculares de 16 - 68 ohmios de impedancia

### Salida máxima de potencia

2 W + 2 W

### Requisitos de alimentación:

Para radiocassette con reproductor de discos compactos:

230 V CA, 50 Hz

9 V CC, 6 pilas de R20 (tamaño D)

Para respaldo de memoria:

4,5 V CC, 3 pilas R6 (tamaño AA)

### Consumo

CA 17 W

### Duración de las pilas

Para radiocassette con reproductor de discos compactos:

---

#### Grabación de FM

Manganesas Sony SUM-1 (N): 9 h. aprox.

Alcalinas AM-1 (N) Sony: 19 h. aprox.

---

#### Reproducción de cintas

Manganesas Sony SUM-1 (N): 5 h. aprox.

Alcalinas AM-1 (N) Sony: 14 h. aprox.

---

#### Reproducción de discos compactos

Manganesas Sony SUM-1 (N): 1,5 h. aprox.

Alcalinas AM-1 (N) Sony: 7 h. aprox.

---

### Dimensiones

304 × 169 × 262 mm. aprox. (an/al/f)  
(incluyendo partes salientes)

### Peso

3,6 kg. aprox. (incluyendo las pilas)

### Accesorios suministrados

Cable de alimentación de CA (1)

El diseño y las especificaciones están sujetos a cambio sin previo aviso.

## Accesorios opcionales

Auriculares de la serie MDR Sony

# Índice alfabético

## A, B

Ajuste del reloj 20  
Alarma 24

## C

Conexión del cable de alimentación de CA 27  
Creación de su propio programa 16

## D

Desmagnetización de las cabezas de cinta 33

## E

Emisoras de radio  
  memorización 18  
  sintonía 19  
Énfasis de audio 28

## F

Fuentes de alimentación 26

## G, H, I, J, K

Grabación en una cinta 10

## L

Limpieza  
  cabezas y recorrido de cinta 33  
  exterior 33  
Localización de un punto específico 13

## M, N, O

MEGA BASS 28  
Mejora de la recepción de emisoras 7  
Memorización de emisoras de radiodifusión 18

## P, Q

Pilas  
  para el reproductor 27  
  para respaldo de memoria 26  
Preparativos 26

## R

Radiorecepción 6  
Reproducción  
  canciones de forma repetida 14  
  emisoras de radio programadas 19  
  un CD 4  
  una cinta 8  
Reproducción aleatoria 15  
Reproducción programada 16  
Reproducción repetida 14  
Reproductor de CD 12

## S

Selección  
  canciones 5  
  énfasis de audio 28  
Selección de la fuente de alimentación 26  
Solución de problemas 31  
SOUND 28

## T

Temporizador  
  Activación automática de la unidad 21  
  Desactivación automática de la unidad 23  
  Uso del temporizador de cuenta atrás 24  
Temporizador de cuenta atrás 24

## U

Utilización del visualizador 12

## V, W, X, Y, Z

Visualizador 12









## Free Manuals Download Website

<http://myh66.com>

<http://usermanuals.us>

<http://www.somanuals.com>

<http://www.4manuals.cc>

<http://www.manual-lib.com>

<http://www.404manual.com>

<http://www.luxmanual.com>

<http://aubethermostatmanual.com>

Golf course search by state

<http://golfingnear.com>

Email search by domain

<http://emailbydomain.com>

Auto manuals search

<http://auto.somanuals.com>

TV manuals search

<http://tv.somanuals.com>