

CD Radio Cassette-Corder

Operating Instructions page 2^{GB}

GB

Manual de instrucciones página 2^{ES}

ES

*CFD-G70
CFD-G70L*

Warning

To prevent fire or shock hazard, do not expose the player to rain or moisture.

To avoid electrical shock, do not open the cabinet. Refer servicing to qualified personnel only.

Information

For customers in Europe



This Compact Disc player is classified as a CLASS 1 LASER product.

The CLASS 1 LASER PRODUCT label is located at the rear.



Warning

Do not install the appliance in a confined space, such as a bookcase or built-in cabinet.

To prevent fire or shock hazard, do not place objects filled with liquids, such as vases, on the appliance.

Notice for customers in the United Kingdom

A moulded plug complying with BS 1363 is fitted to this equipment for your safety and convenience.

Should the fuse in the plug supplied need to be replaced, same rating fuse approved by ASTA or BSI to BS 1362, (i.e. marked with  or  mark) must be used.

If the plug supplied with this equipment has a detachable fuse cover, be sure to attach the fuse cover after you change the fuse. Never use the plug without the fuse cover. If you should lose the fuse cover, please contact your nearest Sony service station.

About this manual

The instructions in this manual are for the CFD-G70 and CFD-G70L. Before you start reading, check your model number. The CFD-G70L is the model used for illustration purpose.

Note

The name of the switch to turn on/off this player is indicated as below:

“OPERATE”: CFD-G70L

“POWER”: CFD-G70

Table of contents

Basic Operations

Playing a CD	4
Listening to the radio	6
Playing a tape	8
Recording on a tape	10

The CD Player

Using the display	12
Locating a specific track	12
Playing tracks repeatedly (Repeat Play)	13
Playing tracks in random order (Shuffle Play)	14
Creating your own programme (Programme Play)	15

The Radio

Presetting radio stations	16
Playing preset radio stations	17

The Audio Emphasis

Selecting the audio emphasis (SOUND/POWER DRIVE WOOFER/ GAME Xpand)	18
---	----

The Timer

Falling asleep to music	19
-------------------------------	----

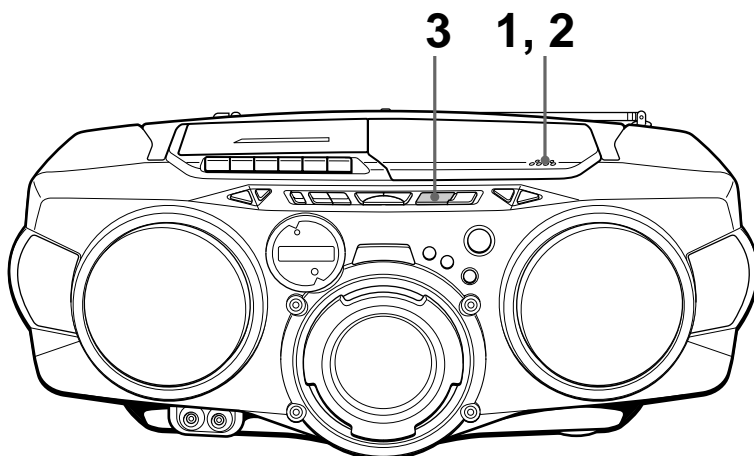
Setting Up

Choosing the power sources	20
Connecting a game machine or other optional components	22

Additional Information

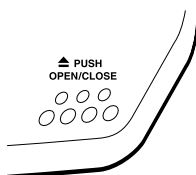
Precautions	24
Troubleshooting	25
Maintenance	28
Specifications	29
Index	30

Playing a CD

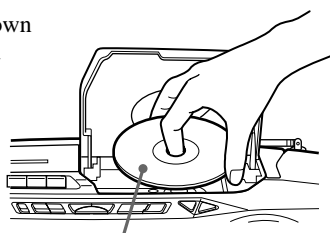


Connect the supplied mains lead (see page 20).

1

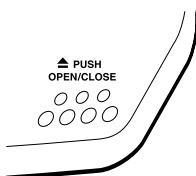


Press ▲PUSH OPEN/CLOSE down to open the CD compartment and place the CD on the CD compartment.

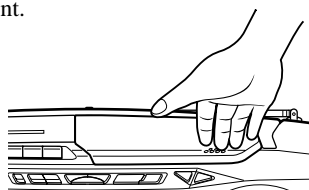


With the label side up

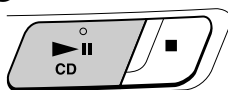
2



Close the lid of the CD compartment.



3



Press ►► (►► on the remote).

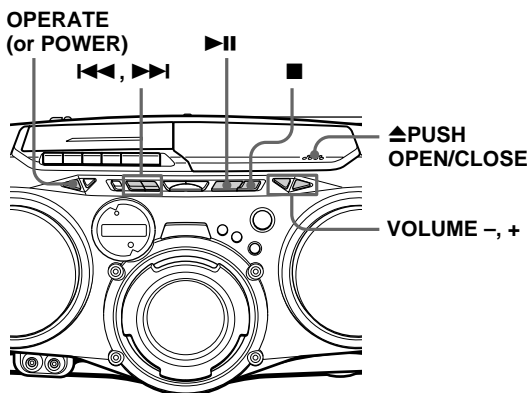
The player turns on (direct power-on) and plays all the tracks once.

Display



Track number Playing time

Use these buttons for additional operations

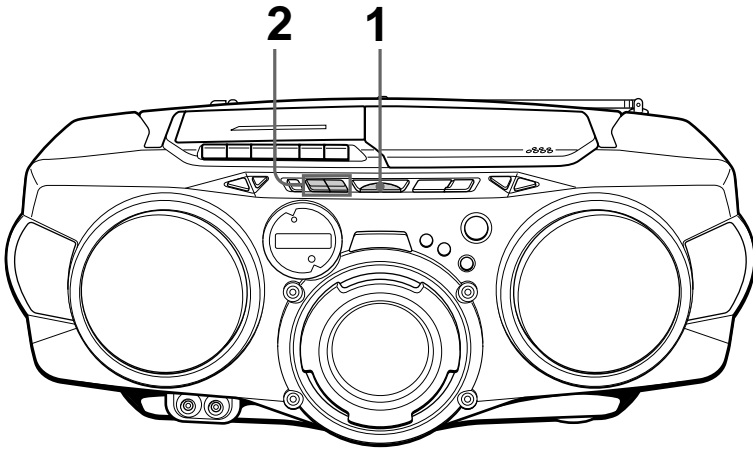


To	Press
adjust the volume	VOLUME +, - (VOL +, - on the remote)
stop playback	■
pause playback	▶ (on the remote) Press the button again to resume play after pause.
go to the next track	▶▶
go back to the previous track	◀◀
remove the CD	▲PUSH OPEN/CLOSE
turn on/off the player	OPERATE (or POWER, see page 2)

About CD-Rs/CD-RWs

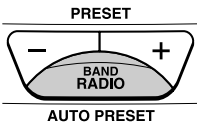
This player is compatible with CD-Rs/CD-RWs but playback capability may vary depending on the quality of the disc, the recording device and application software.

Listening to the radio



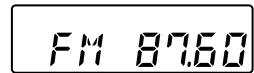
Connect the supplied mains lead (see page 20).

1



Press **RADIO BAND•AUTO PRESET** until the band you want appears in the display (direct power-on).

Display

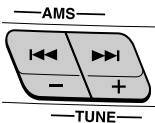


Each time you press the button, the band changes as follows:

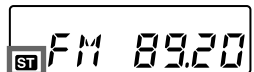
CFD-G70: "FM" → "AM"

CFD-G70L: "FM" → "MW" → "LW"

2



Hold down **TUNE + or -** until the frequency digits begin to change in the display.

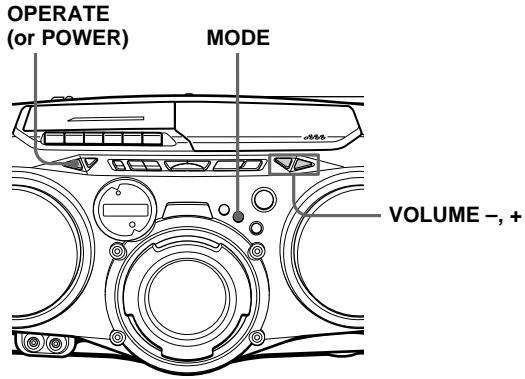


Indicates an **FM stereo broadcast**

The player automatically scans the radio frequencies and stops when it finds a clear station.

If you can't tune in a station, press the button repeatedly to change the frequency step by step.

Use these buttons for additional operations



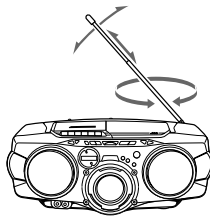
Tips

- If the FM broadcast is noisy, press MODE until “Mono” appears in the display and the radio will play in monaural.
- If you need to change the AM/MW tuning interval, see page 20.

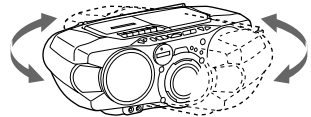
To	Press
adjust the volume	VOLUME +, - (VOL +, - on the remote)
turn on/off the radio	OPERATE (or POWER, see page 2)

To improve broadcast reception

Reorient the aerial for FM. Reorient the player itself for AM or MW/LW.

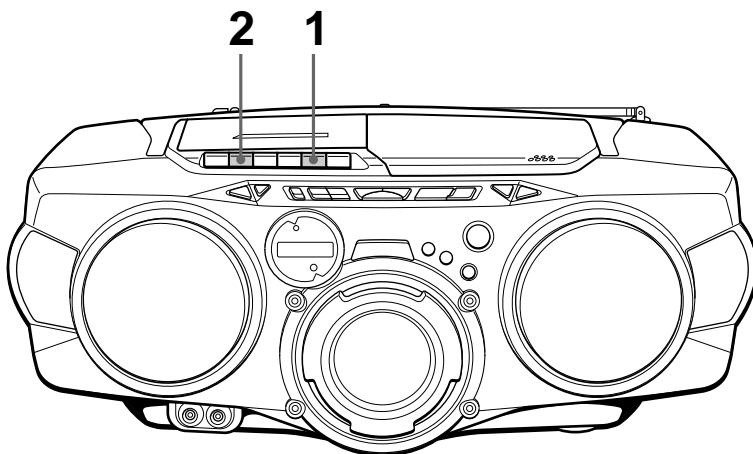


for FM



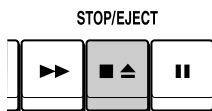
for AM/MW/LW


Playing a tape



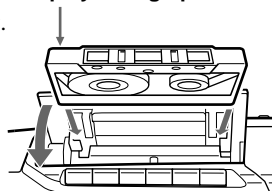
Connect the supplied mains lead (see page 20).

1

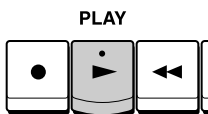


Press  to open the tape compartment and insert a recorded tape. Use TYPE I (normal) tape only. Close the compartment.

With the side you want to play facing upward



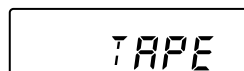
2



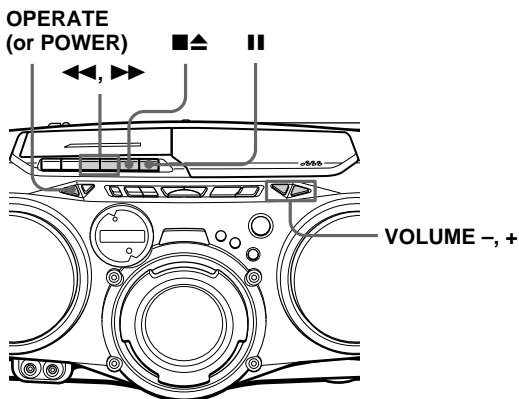
Press .

The player turns on (direct power-on) and starts playing.

Display

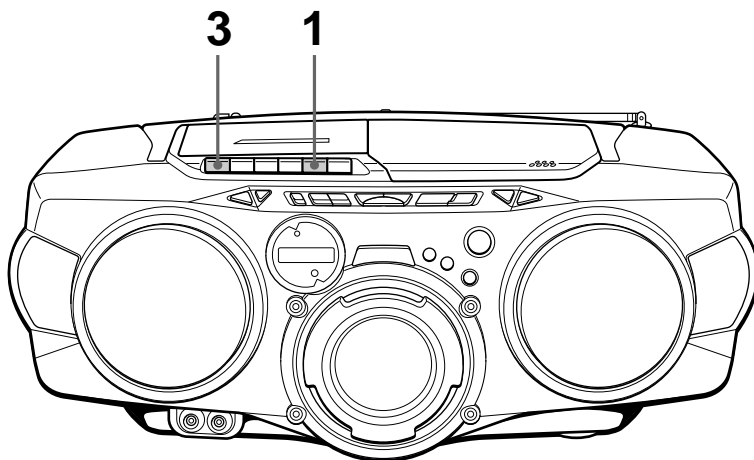


Use these buttons for additional operations



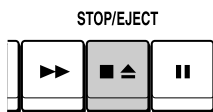
To	Press
adjust the volume	VOLUME +, - (VOL +, - on the remote)
stop playback	■▲
fast-forward or rewind the tape	▶▶ or ◀◀
pause playback	 Press the button again to resume play after pause.
eject the cassette	■▲
turn on/off the player	OPERATE (or POWER, see page 2)


Recording on a tape



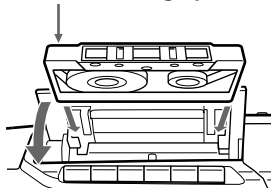
Connect the supplied mains lead (see page 20).

1

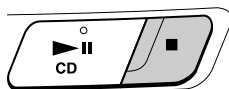


Press  to open the tape compartment and insert a blank tape. Use TYPE I (normal) tape only.

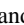
With the side you want to record on facing upward



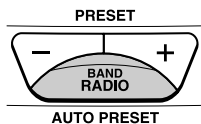
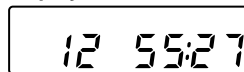
2



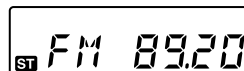
Select the program source you want to record.

To record from the CD player, insert a CD (see page 4) and press  on the CD section.

Display

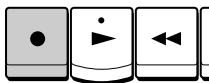


To record from the radio, tune in the station you want (see page 6).



3

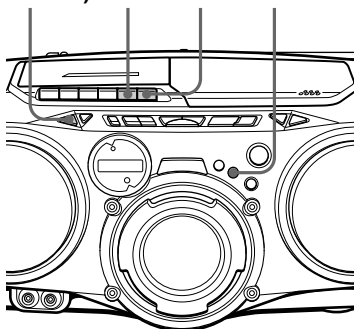
REC



Press ● to start recording
(▶ is depressed automatically).

Use these buttons for additional operations

OPERATE
(or POWER) ■▲ || MODE



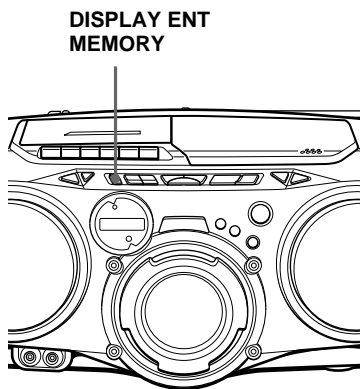
Tips

- Adjusting the volume or the audio emphasis (see page 18) will not affect the recording level.
- *CFD-G70L only*: If the MW/LW programme makes a whistling sound after you've pressed ● in step 3, press MODE to select the position of ISS (Interference Suppress Switch) that most decreases the noise.
- For the best results, use the AC power as a power source.
- To erase a recording, proceed as follows:
 - 1 Insert the tape whose recording you want to erase.
 - 2 Press ||.
 - 3 Press ▶.
 - 4 Press ●.
 - 5 Press ||.

To	Press
stop recording	■▲
pause recording	 Press the button again to resume recording.
turn on/off the player	OPERATE (or POWER, see page 2)

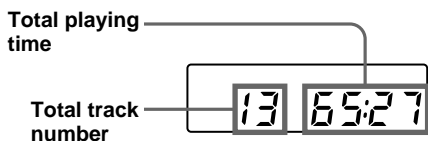
Using the display

You can check information about the CD using the display.



Checking the total track number and playing time

Press DISPLAY ENT•MEMORY in stop mode.



Checking the remaining time

Press DISPLAY ENT•MEMORY while playing a CD.

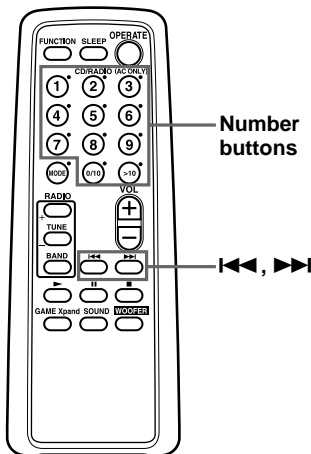
To display	Press DISPLAY ENT•MEMORY
the current track number and remaining time on the current track*	once
the number of tracks left and remaining time on the CD	twice
the current track number and playing time	three times

* For a track whose number is more than 20, the remaining time appears as “--:--”.

Locating a specific track

You can quickly locate any track on a CD using the number buttons on the remote.

You can also find a specific point in a track while playing a CD.



To locate	Press
a specific track directly	the number button of the track.
a point while listening to the sound	▶▶▶ (forward) or ◀◀◀ (backward) while playing and hold down until you find the point.
a point while observing the display	▶▶▶ (forward) or ◀◀◀ (backward) in pause and hold down until you find the point.

Note

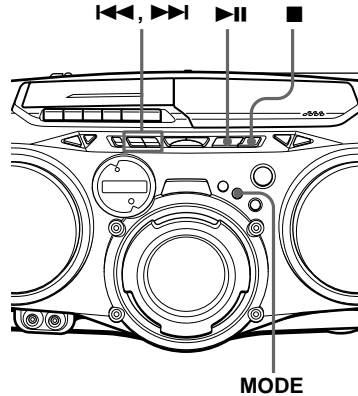
You cannot locate a specific track if “SHUF” or “PGM” is lit in the display. Turn off the indication by pressing ■.

Tip

When you locate a track numbered over 10, press >10 first, then the corresponding number buttons. Example: To play track number 23, press >10 first, then 2 and 3.

Playing tracks repeatedly (Repeat Play)

You can play tracks repeatedly in normal, shuffle or programme play modes (see pages 14 - 15).



- 1 Press ■.
“Cd” appears in the display.

- 2 Proceed as follows.

To repeat	Do this
a single track	<ol style="list-style-type: none"> 1 Press MODE until “REP 1” appears. 2 Press ◀◀ or ▶▶ to select the track that you want to repeat. 3 Press ▶◻.
all the tracks	<ol style="list-style-type: none"> 1 Press MODE until “REP ALL” appears. 2 Press ▶◻.
tracks in random order	<ol style="list-style-type: none"> 1 Press MODE until “SHUF REP” appears. 2 Press ▶◻.
programmed tracks	<ol style="list-style-type: none"> 1 Press MODE until “PGM REP” appears. 2 Programme tracks (see step 3 on page 15). 3 Press ▶◻.

continued

Playing tracks repeatedly (Repeat Play) (continued)

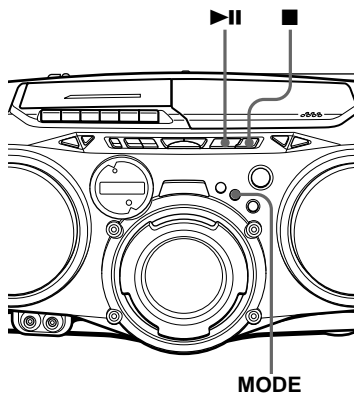
To cancel Repeat Play
Press MODE until “REP” disappears from
the display.

On the remote

- Use ► instead of ►||.
- When you’ve selected “REP 1”, select the track
by pressing the number buttons.

Playing tracks in random order (Shuffle Play)

You can play tracks in random order.



-
- 1** Press ■.
“Cd” appears in the display.

 - 2** Press MODE until “SHUF” appears in
the display.

 - 3** Press ►|| to start shuffle play.
-

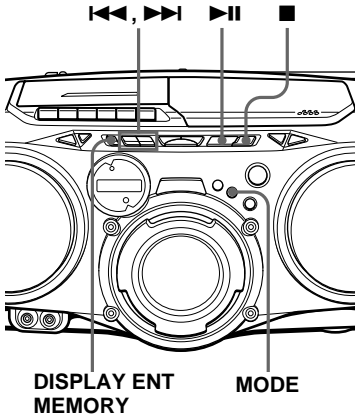
To cancel Shuffle Play
Press MODE until “SHUF” disappears from
the display.

On the remote

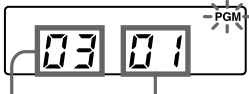
Use ► instead of ►||.

Creating your own programme (Programme Play)

You can arrange the playing order of up to 20 tracks on a CD.



- 1 Press **■**.
“Cd” appears in the display.
- 2 Press MODE until “PGM” appears in the display.
- 3 Press the **◀◀** or **▶▶** to select the track you want to programme, and press DISPLAY ENT•MEMORY.
Repeat this step.



Programmed Playing order track

- 4 Press **▶▶** to start programme play.

On the remote

- 1 Press **■**.
- 2 Press MODE until “PGM” appears in the display.
- 3 Press the number buttons for the tracks you want to programme in the order you want.
- 4 Press **▶**.

To cancel Programme Play
Press MODE until “PGM” disappears from the display.

To check the order of tracks before play
Press DISPLAY ENT•MEMORY.
Every time you press the button, the track number appears in the programmed order.

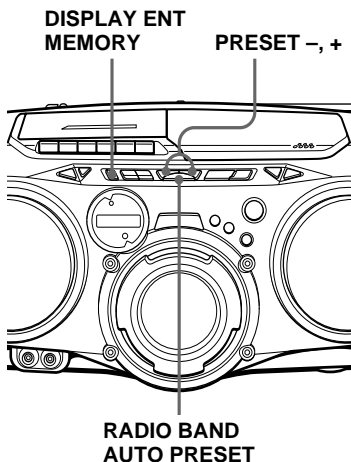
To change the current programme
Press **■** once if the CD is stopped and twice if the CD is playing. The current programme will be erased. Then create a new programme following the programming procedure.

Tips

- You can play the same programme again, since the programme is saved until you open the CD compartment.
- You can record your own programme. After you've created the programme, insert a blank tape and press **●** to start recording.

Presetting radio stations

You can store radio stations into the player's memory. You can preset up to 30 radio stations (CFD-G70), 20 for FM and 10 for AM in any order or 40 radio stations (CFD-G70L), 20 for FM and 10 for MW and LW in any order.



- 1** Press **RADIO BAND•AUTO PRESET** to select the band.
- 2** Hold down **RADIO BAND•AUTO PRESET** for 2 seconds until “**AUTO**” flashes in the display.
- 3** Press **DISPLAY ENT•MEMORY**. The stations are stored in memory from the lower frequencies to the higher ones.

If a station cannot be preset automatically

You need to preset a station with a weak signal manually.

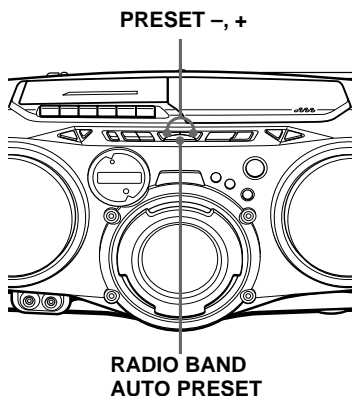
- 1** Press **RADIO BAND•AUTO PRESET** to select the band.
- 2** Tune in a station you want.
- 3** Hold down **DISPLAY ENT•MEMORY** for 2 seconds.
- 4** Press **PRESET +** or **-** until the preset number you want the new station on flashes in the display.
- 5** Press **DISPLAY ENT•MEMORY**. The new station replaces the old one.

On the remote

- 1** Press **BAND** until the band you want appears in the display.
- 2** Press **TUNE +** or **-** until you tune in the station you want.
- 3** Hold down the number button that you want to preset the new station on for 2 seconds. To select the preset number over 10, press **>10** first, then the corresponding number buttons. You need to hold down the last number button to enter for about 2 seconds. (Example: To select 12, press **>10** and **1** first, then hold down **2** for about 2 seconds.)

Playing preset radio stations

Once you've preset the stations, use PRESET + or – on the player or the number buttons on the remote to tune in to your favourite stations.



On the remote

- 1 Press BAND until the band you want appears in the display.
- 2 Press the number button to tune in a stored station.

To tune in a preset station over 10, press >10 first, then the corresponding number buttons. (Example: To tune in a preset station 12, press >10 and 1 first, and then press 2.)

- 1 Press RADIO BAND•AUTO PRESET to select the band.
- 2 Press PRESET + or – to tune in the stored station.

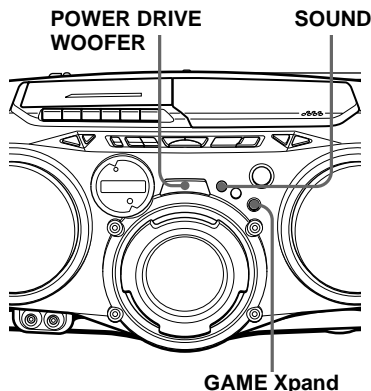
FM-05



ST FM 89.20

Selecting the audio emphasis (SOUND/POWER DRIVE WOOFER/GAME Xpand)

You can adjust the audio emphasis of the sound you are listening to. You can also enjoy the live presence sound from a game machine, etc., using the GAME Xpand button.



Selecting the sound characteristic

Press SOUND repeatedly to select the audio emphasis you want.

Choose	To get
	powerful, clean sounds, emphasizing low and high range audio
	light, bright sounds, emphasizing high and middle range audio.
	percussive sounds, emphasizing bass audio.
	the presence of vocals, stressing middle range audio.
	the whole dynamic range for music such as classical music.

Reinforcing the bass sound

Press POWER DRIVE WOOFER to select or in the display. is more effective. When the POWER DRIVE WOOFER function works, the button lights up.

To return to normal sound, press the button until the indication disappears from the display.

On the remote
Press WOOFER.

Notes

- While the sleeping timer is on, the POWER DRIVE WOOFER button does not light, even if the POWER DRIVE WOOFER function works.
- When using the headphones, the POWER DRIVE WOOFER function does not work.

Getting the GAME Xpand effect

Press GAME Xpand to enjoy the live presence sound. When the GAME Xpand function works, the button lights up.

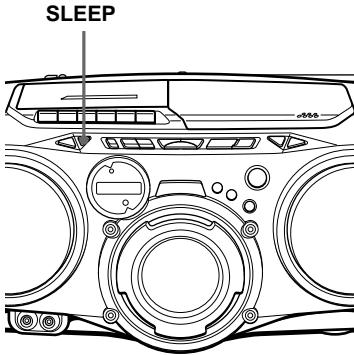
To return to normal sound, press the button again to turn it off.

Note

When using the headphones, the GAME Xpand function does not work.

Falling asleep to music

You can set the player to turn off automatically after 10, 20, 30, 60, 90, and 120 minutes, allowing you to fall asleep while listening to music.



To cancel the sleep function
Press OPERATE (or POWER) to turn off the power.

Note

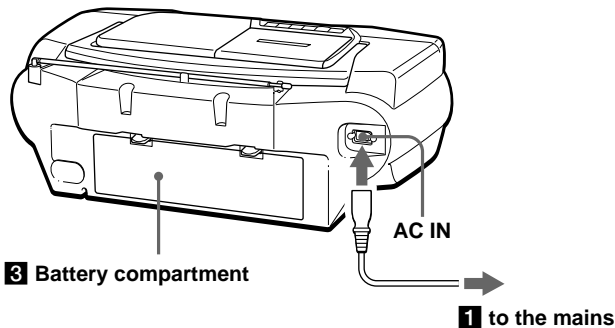
When you are playing a tape using this function:
If the tape length of one side is longer than the set time, the player will not go off until the tape reaches the end.

- 1 Play the music source you want.
- 2 Press SLEEP to display "SLEEP."
- 3 Press SLEEP to select the minutes until the player goes off automatically.
Each time you press the button, the indication changes as follows:
"60" → "90" → "120" → no indication → "10" → "20" → "30."



Choosing the power sources

You can use the AC power or batteries as a power source.



1 Connecting the mains lead

Insert one end of the supplied mains lead to the AC IN socket located at the rear of the player, and the other end to the mains.

Brazilian model only: Adjusting the voltage

Be sure to set the VOLTAGE SELECTOR (at the bottom) to your local power supply.

VOLTAGE SELECTOR

220-240V ↴



110-120V ↵

Tip

Only for the customers supplied with an AC plug adaptor:

Use the supplied AC plug adaptor if the plug of the main lead does not match your outlet.

Changing the AM/MW tuning interval

The AM/MW tuning interval is preset as follows at the factory:

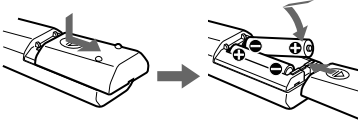
Argentine and Brazilian models: 10 kHz

Other models: 9 kHz

If you need to change the AM/MW tuning interval, do the following:

- 1 Disconnect the mains lead from the mains and remove all the batteries.
- 2 Press OPERATE (or POWER) until all the indications in the display disappear.
- 3 While keeping the RADIO BAND•AUTO PRESET and ■ pressed, reconnect the mains lead to the mains. The tuning interval is changed and “AM9” “MW9” or “AM10” “MW10” appears in the display for 2 seconds.

After changing the tuning interval, you need to reset your preset AM/MW radio stations.

2 Inserting batteries into the remote

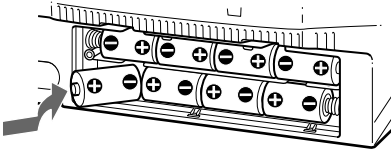
Insert two R6 (size AA) batteries (not supplied)

Replacing batteries

With normal use, the batteries should last for about six months. When the remote no longer operates the player, replace all the batteries with new ones.

3 Using the player on batteries

Insert eight R20 (size D) batteries (not supplied) into the battery compartment. To use the player on batteries, disconnect the mains lead from the player.



Replacing batteries

Replace the batteries when the OPR/BATT indicator dims or when the player stops operating. Replace all the batteries with new ones.

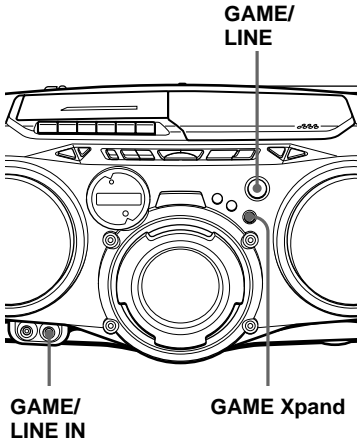
Notes

- Before you replace the batteries, be sure to take out the CD from the player.
 - When you operate the player with the batteries, you cannot turn on the player with the remote.
-

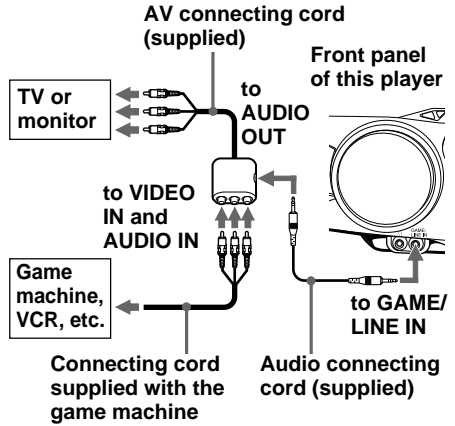
Connecting a game machine or other optional components

You can enjoy the sound from a game machine or TV, etc. through the speakers of this player.

Be sure to turn off the power of each component before making connections. For details, refer to the instructions of the component to be connected.



Connecting a game machine

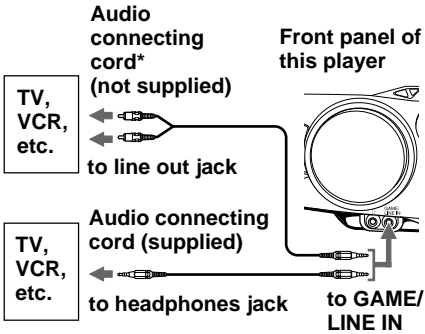


- 1 Connect the supplied AV connecting cord to the game machine and the TV or monitor.
- 2 Connect the supplied audio connecting cord to the supplied AV connecting cord and the GAME/LINE IN jack of this player.
- 3 Press GAME/LINE until "GAME LI" appears in the display.
- 4 Start the operation of the game machine.
- 5 Press GAME Xpand to get the GAME Xpand effect.

Note

When the supplied audio connecting cord is connected to the supplied AV connecting cord, you cannot listen to the sound from the TV or monitor.

Connecting a TV or a VCR



* A cord with a stereo-mini plug on one end and two phono plugs on the other end.

After finishing the connections, turn on the player, and press GAME/LINE to display "GAME LI".

Note

Connect the cords firmly to avoid any malfunction.

Recording the sound from the connected components

- 1 Insert a blank tape.
- 2 Press GAME/LINE to display "GAME LI".
- 3 Press ●.
 - Recording starts.
- 4 Play the optional component connected to the GAME/LINE IN jack of the player.

Precautions

On safety

- As the laser beam used in the CD player section is harmful to the eyes, do not attempt to disassemble the casing. Refer servicing to qualified personnel only.
- Should any solid object or liquid fall into the player, unplug the player, and have it checked by qualified personnel before operating it any further.
- Discs with non-standard shapes (e.g., heart, square, star) cannot be played on this player. Attempting to do so may damage the player. Do not use such discs.

On power sources

- For AC operation, check that the player's operating voltage is identical with your local power supply (see "Specifications") and use the supplied mains lead; do not use any other type. The voltage selector is located at the bottom of the player (Brazilian model only).
- The player is not disconnected from the AC power source (mains) as long as it is connected to the wall outlet, even if the player itself has been turned off.
- For battery operation, use eight R20 (size D) batteries.
- When the batteries are not to be used, remove them to avoid damage that can be caused by battery leakage or corrosion.
- The nameplate indicating operating voltage, power consumption, etc. is located at the bottom.

On placement

- Do not leave the player in a location near heat sources, or in a place subject to direct sunlight, excessive dust or mechanical shock.
- Do not place the player on an inclined or unstable place.
- Do not place anything within 10 mm of the side of the cabinet. The ventilation holes must be unobstructed for the player to operate properly and prolong the life of its components.
- If the player is left in a car parked in the sun, be sure to choose a location in the car where the player will not be subjected to the direct rays of the sun.
- Since a strong magnet is used for the speakers, keep personal credit cards using magnetic coding or spring-wound watches away from the player to prevent possible damage from the magnet.

On operation

- If the player is brought directly from a cold to a warm location, or is placed in a very damp room, moisture may condense on the lens inside the CD player section. Should this occur, the player will not operate properly. In this case, remove the CD and wait about an hour for the moisture to evaporate.
- If the player has not been used for a long time, set it in the playback mode to warm it up for a few minutes before inserting a cassette.

If you have any questions or problems concerning your player, please consult your nearest Sony dealer.

Notes on CDs

- Before playing, clean the CD with a cleaning cloth. Wipe the CD from the center out.



- Do not use solvents such as benzene, thinner, commercially available cleaners or anti-static spray intended for vinyl LPs.
- Do not expose the CD to direct sunlight or heat sources such as hot air ducts, nor leave it in a car parked in direct sunlight as there can be a considerable rise in temperature inside the car.
- Do not stick paper or sticker on the CD, nor scratch the surface of the CD.
- After playing, store the CD in its case.

If there is a scratch, dirt or fingerprints on the CD, it may cause tracking error.

Notes on cassettes

- Break off the cassette tab from side A or B to prevent accidental recording. If you want to reuse the tape for recording, cover the broken tab with adhesive tape.



Tab for side B

- The use of a cassette with more than 90 minutes of play time is not recommended except for long, continuous recording or playback.

Troubleshooting

General

The power is not on.

- Connect the mains lead to the AC IN socket and a wall outlet securely.
- Make sure the batteries are inserted correctly.
- Replace all the batteries with new ones if they are weak.
- You cannot turn on the player with the remote when you operate the player on batteries.

The power is not on, and “bAttErY” and “Error” are displayed alternately.

- Make sure the batteries are inserted correctly.
- Replace all the batteries with new ones if they are weak.

There is no audio.

- Unplug the headphones when listening through speakers.

The power is turned off unexpectedly.

- Replace all the batteries with new ones.

Unusual sound is heard.

The sound is noisy, weak or has poor quality.

- Replace all the batteries with new ones if they are weak.

Noise is heard.

- Someone is using a portable telephone or other equipment that emits radio waves near the player.
→ Move the portable telephone, etc., away from the player.

continued

CD Player

“no diSC” lights in the display even when a CD is in place.

- Place the CD with the label surface up.
- The CD-R/CD-RW was not finalized. Finalize the CD-R/CD-RW with the recording device.
- There is a problem with the quality of the CD-R/CD-RW, recording device, or application software.

The CD does not play.

- Place the CD with the label surface up.
- Clean the CD.
- Take out the CD and leave the CD compartment open for about an hour to dry moisture condensation.

The sound drops out. Noise is heard.

- Reduce the volume.
- Clean the CD, or replace it if the CD is badly damaged.
- Place the player in a location free from vibration.
- The sound may drop out or noise may be heard when using poor quality CD-Rs/CD-RWs or if there is a problem with the recording device or application software.

Radio

The audio is weak or has poor quality.

- Replace all the batteries with new ones if they are weak.
- Move the player away from the TV.
- If you are using the remote while listening to AM (CFD-G70) or MW/LW (CFD-G70L) radio, noise may be heard. This is unavoidable.

The picture of your TV becomes unstable.

- If you are listening to an FM program near the TV with an indoor antenna, move the player away from the TV.

Tape Player

The tape does not move when you press an operation button.

- Close the tape compartment securely.

The REC ● button does not function. The tape does not play.

- Make sure the safety tab on the cassette is in place.

The tape does not erase completely.

- Clean the erasing head (see page 28).
- Replace all the batteries with new ones if they are weak.
- The source which was recorded on TYPE II (high position) or TYPE IV (metal) tape using this unit is being played. Record on TYPE I (normal) tape and play.

The tape does not record.

- Make sure the tape is inserted properly.
- Make sure the safety tab of the cassette is in place.

The audio is weak.

The audio quality is poor.

- Clean the heads, pinch roller and capstan (see page 28).
- Demagnetize the heads using a demagnetizer (see page 28).

The sound is distorted.

- The TYPE II (high position) or TYPE IV (metal) tape is being used. Use TYPE I (normal) tape only.

Remote

The remote does not function.

- Replace all the batteries in the remote with new ones if they are weak.
 - Make sure that you are pointing the remote at the remote sensor on the player.
 - Remove any obstacles in the path of the remote and the player.
 - Make sure the remote sensor is not exposed to strong light such as direct sunlight or fluorescent lamp light.
 - Move closer to the player when using the remote.
-

After trying the above remedies, if you still have problems, unplug the mains lead and remove all the batteries. After all the indications in the display disappear, plug the mains lead and insert the batteries again. If the problem persists, please consult your nearest Sony dealer.

Maintenance

Cleaning the lens

If the lens becomes dirty, it may cause a skipping of sound during CD operation. Clean with a commercially available blower.

Cleaning the tape heads and tape path

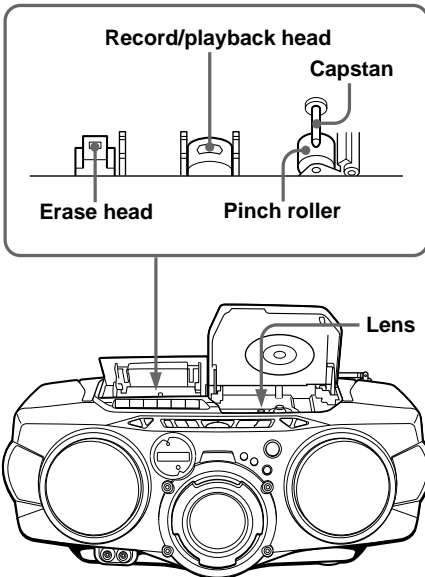
Wipe the heads, the pinch roller and the capstan with a cleaning swab slightly moistened with cleaning fluid or alcohol after every 10 hours of operation for optimum playback and recording quality. To make the best possible recording, however, we recommend that you clean all surfaces over which tape travels before each recording.

Demagnetizing the tape heads

After 20 to 30 hours of use, enough residual magnetism will have built up on the tape heads to begin to cause loss of high frequency sound and hiss. At this time, you should demagnetize the heads and all metal parts in the tape path with a commercially available tape head demagnetizer.

Cleaning the cabinet

Clean the cabinet, panel and controls with a soft cloth slightly moistened with a mild detergent solution. Do not use any type of abrasive pad, scouring powder, or solvent, such as alcohol or benzine.



After cleaning, insert a tape when the areas cleaned are completely dry.

Specifications

CD player section

System

Compact disc digital audio system

Laser diode properties

Material: GaAlAs

Wave length: 780 nm

Emission duration: Continuous

Laser output: Less than 44.6 μ W

(This output is the value measured at a distance of about 200 mm from the objective lens surface on the optical pick-up block with 7 mm aperture.)

Spindle speed

200 r/min (rpm) to 500 r/min (rpm) (CLV)

Number of channels

2

Frequency response

20 - 20 000 Hz +1/-2 dB

Wow and flutter

Below measurable limit

Radio section

Frequency range

CFD-G70

FM 87.6 - 108 MHz

AM 531 - 1 602 kHz (9 kHz step)
530 - 1 610 kHz (10 kHz step)

CFD-G70L

FM 87.5 - 108 MHz

MW 531 - 1 602 kHz (9 kHz step)
530 - 1 610 kHz (10 kHz step)

LW 153 - 279 kHz

IF

FM: 10.7 MHz

AM/MW/LW: 450 kHz

Aerials

FM: Telescopic aerial

AM/MW/LW: Built-in ferrite bar aerial

Cassette-corder section

Recording system

4-track 2 channel stereo

Fast winding time

Approx. 120 sec. with Sony cassette C-60

Frequency response

TYPE I (normal): 70 - 13 000 Hz

General

Speakers

Main speaker: 10 cm (4 in.) dia., 3.2 Ω , cone type (2)

Subwoofer: 8 cm (3 1/4 in.) dia., 4 Ω , cone type (1)

GAME Xpand: 5 cm (2 in.) dia., 12 Ω , cone type (2)

Inputs

GAME/LINE IN jack (stereo minijack): sensitivity 436 mV

Outputs

Headphones jack (stereo minijack): for 16 - 68 Ω impedance headphones

Maximum power output

Main speaker: 8 W

Subwoofer: 12 W

GAME Xpand: 2.4 W

Power requirements

For CD radio cassette-corder:

Argentine model: 220 - 230 V AC, 50 Hz

Brazilian model: 110 - 120 V, 220 - 240 V AC, 50/60 Hz

Other models: 230 V AC, 50 Hz

12 V DC, 8 R20 (size D) batteries

For remote control:

3 V DC, 2 R6 (size AA) batteries

Power consumption

AC 35 W

Battery life

For CD radio cassette-corder:

FM recording

Sony R20P: approx. 6.5 h

Sony alkaline LR20: approx. 18 h

Tape playback

Sony R20P: approx. 1.5 h

Sony alkaline LR20: approx. 6 h

CD playback

Sony R20P: approx. 1 h

Sony alkaline LR20: approx. 4 h

Dimensions

Approx. 530 \times 195 \times 342 mm (w/h/d)

(20 7/8 \times 7 3/4 \times 13 1/2 inches) (incl. projecting parts)

Mass

Approx. 7.4 kg (16 lb. 5 oz) (incl. batteries)

Supplied accessories

Mains lead (1)

Remote control (1)

AV connecting cord (1)

Audio connecting cord (1)

Design and specifications are subject to change without notice.

Optional accessories

Sony MDR headphones series

Index

A

AM/MW tuning interval 20
Audio emphasis 18

B

Batteries
for player 21
for remote 21

C

CD player 12
Choosing power sources 20
Cleaning
cabinet 28
tape heads and tape path 28
Connecting
mains lead 20
optional components 22
Creating your own programme 15

D, E, F

Demagnetizing the tape heads 28
Display 12

G, H

GAME Xpand 18

I, J, K

Improving broadcast reception 7

L, M, N, O

Listening to the radio 6
Locating a specific track 12

P, Q

Playing
a CD 4
a tape 8
preset radio stations 17
tracks repeatedly 13
POWER DRIVE WOOFER 18
Power sources 20
Presetting radio stations 16
Programme Play 15

R

Radio stations
playing 17
presetting 16
Recording on a tape 10
Repeat Play 13

S

Selecting
audio emphasis 18
tracks 5
Setting up 20
Shuffle Play 14
SOUND 18

T

Timer
Falling asleep to music 19
Troubleshooting 25

U

Using the display 12

V, W, X, Y, Z

Voltage selector 20

ADVERTENCIA

Para evitar incendios o el riesgo de electrocución, no exponga el reproductor a la lluvia ni a la humedad.

Para evitar descargas eléctricas, no abra el sistema. En caso de avería, solicite sólo los servicios de personal especializado.

Información

Para usuarios en Europa



Este reproductor de discos compactos está clasificado como producto láserico de clase 1. La etiqueta CLASS 1 LASER PRODUCT se encuentra en la parte posterior.

ADVERTENCIA

No instale el aparato en un espacio cerrado, como una estantería para libros o un armario empotrado.

Para evitar el peligro de incendio o descarga eléctrica, no coloque objetos con líquido, como jarrones, sobre el aparato.

Acerca de este manual

Las instrucciones de este manual hacen referencia a los modelos CFD-G70 y CFD-G70L. Antes de comenzar a leerlas, compruebe el número de modelo. Se ha utilizado el modelo CFD-G70L para las ilustraciones.

Nota

El nombre del interruptor para encender y apagar este reproductor se indica de la siguiente forma:
“OPERATE”: CFD-G70L
“POWER”: CFD-G70

Índice

Procedimientos básicos

Reproducción de un CD	4
Radiorecepción	6
Reproducción de cintas	8
Grabación en una cinta	10

Reproductor de discos compactos (CD)

Utilización del visor	12
Localización de una pista específica	12
Reproducción repetida de las pistas (Reproducción repetida)	13
Reproducción de pistas en orden aleatorio (Reproducción aleatoria)	14
Creación de su propio programa (Reproducción programada)	15

Radio

Memorización de emisoras de radiodifusión	16
Sintonía de emisoras almacenadas	17

Énfasis de sonido

Selección del énfasis de audio (SOUND/POWER DRIVE WOOFER/ GAME Xpand)	18
---	----

Temporizador

Desactivación automática de la unidad	19
---	----

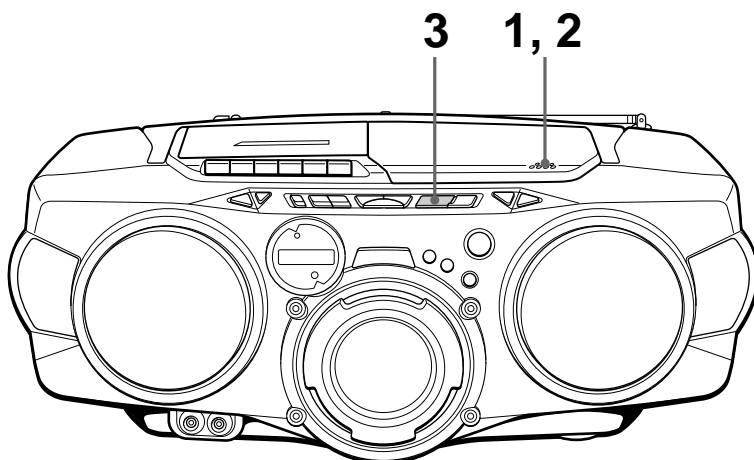
Preparativos

Selección de la fuente de alimentación	20
Conexión de una consola de juegos u otros componentes opcionales	22

Información complementaria

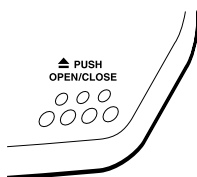
Precauciones	24
Solución de problemas	25
Mantenimiento	28
Especificaciones	29
Índice alfabético	Cubierta posterior

Reproducción de un CD

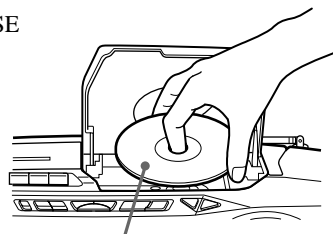


Conecte el cable de alimentación de CA suministrado (consulte la página 20).

1

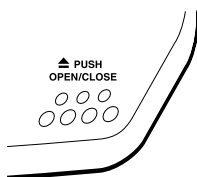


Presione ▲PUSH OPEN/CLOSE para abrir el compartimento de discos y coloque el CD.

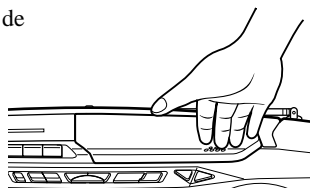


Con el lado de la etiqueta hacia arriba

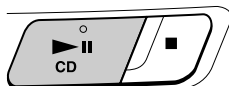
2



Cierre la tapa del compartimento de discos.



3



Presione ►► (► en el mando a distancia).

El reproductor se enciende (activación directa) y el reproductor reproduce todas las pistas una vez.

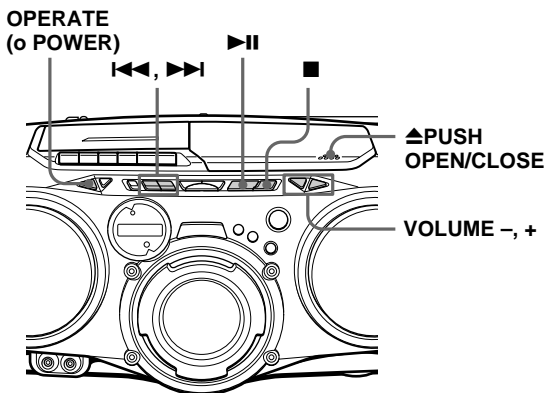
Visor



Número de pista

Tiempo de reproducción

Utilice estos botones para realizar procedimientos adicionales

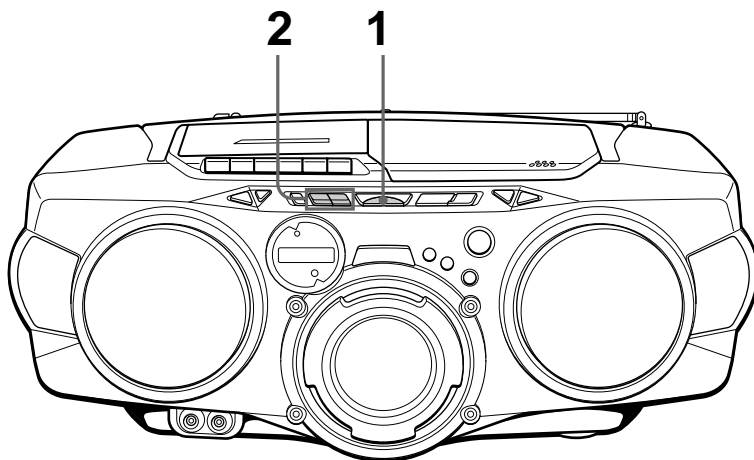


Para	Presione
ajustar el volumen	VOLUME +, - (VOL +, - en el mando a distancia)
detener la reproducción	■
realizar una pausa	▶ (en el mando a distancia) Vuelva a presionar el botón para reanudar la reproducción después de la pausa.
pasar a la siguiente pista	▶▶
retroceder a la pista anterior	◀◀
extraer el disco	▲PUSH OPEN/CLOSE
encender/apagar el reproductor	OPERATE (o POWER, consulte la página 2)

Acerca de discos CD-R/CD-RW

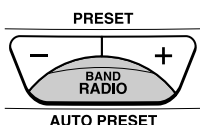
Este reproductor es compatible con discos CD-R/CD-RW, aunque la capacidad de reproducción puede variar en función de la calidad del disco, el dispositivo de grabación y el software de aplicación.

Radiorecepción



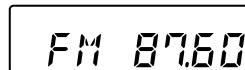
Conecte el cable de alimentación de CA suministrado (consulte la página 20).

1



Presione RADIO BAND•AUTO PRESET hasta que la banda que desee aparezca en el visor (activación directa).

Visor

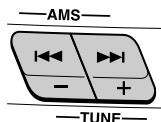


Cada vez que presione el botón, la banda cambiará de la siguiente forma:

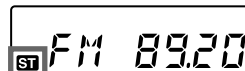
CFD-G70: "FM" → "AM"

CFD-G70L: "FM" → "MW" → "LW"

2



Mantenga presionado TUNE + o - hasta que los dígitos de frecuencia comiencen a cambiar en el visor.

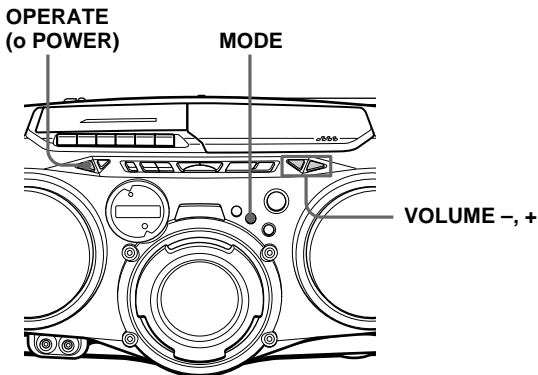


Indica una emisión estéreo de FM.

El reproductor explora automáticamente las frecuencias de radio y se detiene al encontrar una emisora con sonido nítido.

Si no puede sintonizar una emisora, presione el botón varias veces y cambie la frecuencia intervalo a intervalo.

Utilice estos botones para realizar procedimientos adicionales

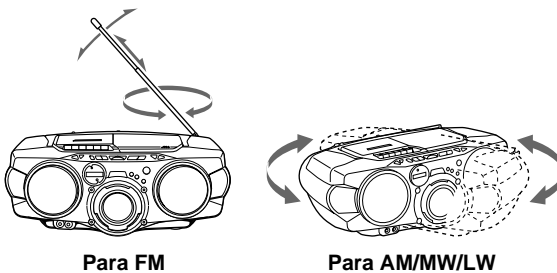


Sugerencias

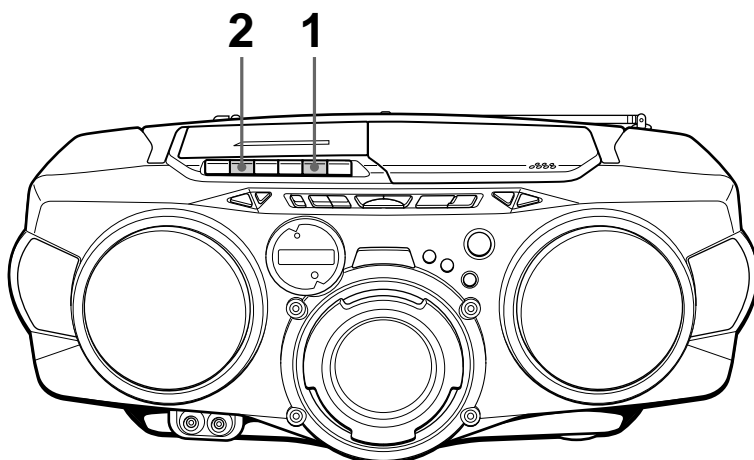
- Si la emisión en FM presenta ruido, presione MODE hasta que aparezca “Mono” en el visor; la radio sintonizará la emisión en modo monofónico.
- Si es preciso cambiar el intervalo de sintonización de AM/MW, consulte la página 20.

Para	Presione
ajustar el volumen	VOLUME +, - (VOL +, - en el mando a distancia)
encender/apagar la radio	OPERATE (o POWER, consulte la página 2)

Para mejorar la recepción de la radio
Reoriente la antena para FM y el reproductor para AM o MW/LW.

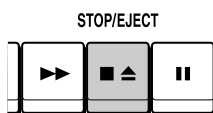


Reproducción de cintas



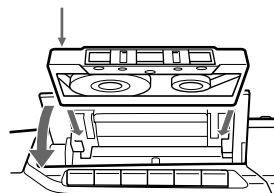
Conecte el cable de alimentación de CA suministrado (consulte la página 20).

1

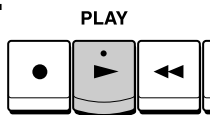


Presione **■▲** para abrir el compartimento de la cinta e inserte una cinta grabada. Emplee sólo cintas TYPE I (normal). Cierre el compartimento.

Con la cara que desee reproducir orientada hacia arriba



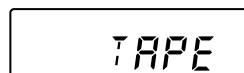
2



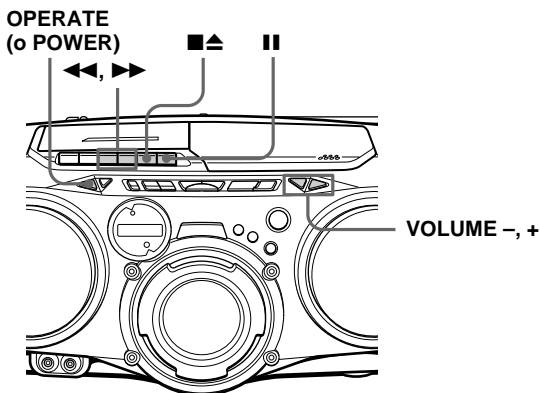
Presione **▶**.

El reproductor se enciende (activación directa) e inicia la reproducción.

Visor

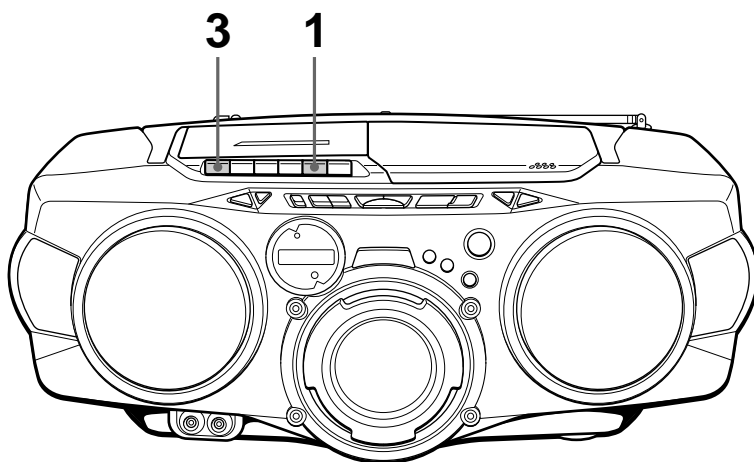


Utilice estos botones para realizar procedimientos adicionales



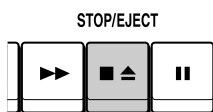
Para	Presione
ajustar el volumen	VOLUME +, - (VOL +, - en el mando a distancia)
cesar la reproducción	■▲
avanzar rápidamente o rebobinar la cinta	▶▶ o ◀◀
realizar una pausa	 Vuelva a presionar el botón para reanudar la reproducción después de la pausa.
extraer el casete	■▲
encender/apagar el reproductor	OPERATE (o POWER, consulte la página 2)

Grabación en una cinta



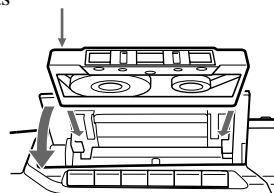
Conecte el cable de alimentación de CA suministrado (consulte la página 20).

1

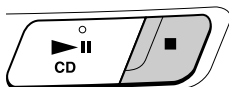


Presione **■▲** para abrir el compartimento de cintas e inserte una cinta virgen. Emplee sólo cintas TYPE I (normal).

Con la cara en la que desee grabar orientada hacia arriba



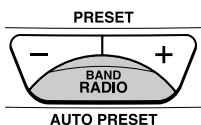
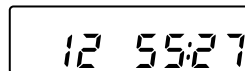
2



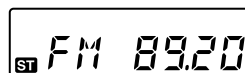
Seleccione la fuente de programa que desee grabar.

Para grabar desde el reproductor de discos compactos, inserte un CD (consulte la página 4) y presione **■** de la sección de CD.

Visor

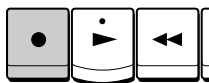


Para grabar desde la radio, sintonice la emisora que desee (consulte la página 6).



3

REC



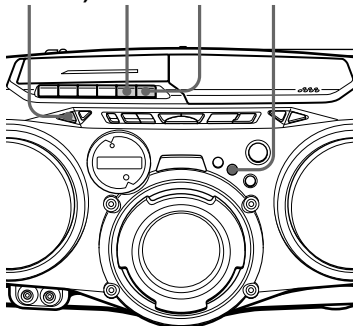
Presione ● para iniciar la grabación
(▶ se presiona automáticamente).

Sugerencias

- El ajustes del volumen o del énfasis de sonido (consulte la página 18) no afectarán al nivel de grabación.
- *Sólo CFD-G70L*: Si el programa de MW/LW se recibe con un sonido silbante después de pulsar ● en el paso 3, presione MODE para seleccionar la posición de ISS (Interruptor de supresión de interferencias) que permita disminuir el ruido en mayor medida.
- Para obtener los mejores resultados posibles, emplee la fuente de alimentación de CA.
- Para borrar grabaciones, realice lo siguiente:
 - 1 Inserte la cinta cuya grabación desee borrar.
 - 2 Presione ||.
 - 3 Presione ▶.
 - 4 Presione ●.
 - 5 Presione ||.

Utilice estos botones para realizar operaciones adicionales

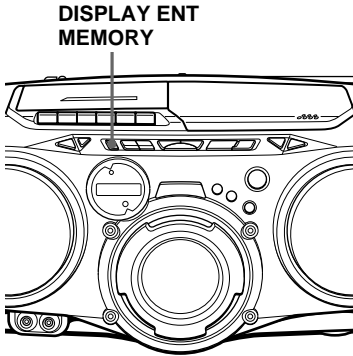
OPERATE
(o POWER) ■▲ || MODE



Para	Presione
cesar la grabación	■▲
realizar una pausa durante la grabación	 Vuelva a presionar el botón para reanudar la grabación.
encender/apagar el reproductor	OPERATE (o POWER, consulte la página 2)

Utilización del visor

Puede comprobar la información sobre el disco en el visor.



Comprobación del número total de pistas y del tiempo de reproducción

Presione DISPLAY ENT•MEMORY en modo de parada.

Tiempo total de reproducción

Número total de pistas



Comprobación del tiempo restante

Presione DISPLAY ENT•MEMORY mientras reproduce un disco.

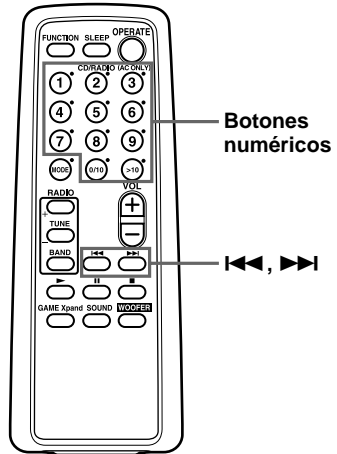
Para visualizar	Presione DISPLAY ENT•MEMORY
el número de pista actual y el tiempo restante de ésta*	una vez
el número de pistas y tiempo del disco restantes	dos veces
el número de pista actual y tiempo de reproducción	tres veces

* Para las pistas de número superior a 20, el tiempo restante aparece en el visor con la forma “-:--:--”.

Localización de una pista específica

Es posible localizar rápidamente cualquier pista de un CD mediante los botones numéricos del mando a distancia.

Es posible encontrar un punto específico de una pista mientras se reproduce un CD.



Para localizar	Presione
una pista específica directamente	el botón numérico de la pista.
un punto mientras escucha el sonido	▶▶ (hacia delante) o ◀◀ (hacia atrás) durante la reproducción y manténgalo presionado hasta encontrar el punto.
un punto mientras observa el visor	▶▶ (hacia delante) o ◀◀ (hacia atrás) durante una pausa y manténgalo presionado hasta encontrar el punto.

Nota

No será posible localizar pistas específicas si "SHUF" o "PGM" está iluminado en el visor. Desactive la indicación presionando ■.

Sugerencia

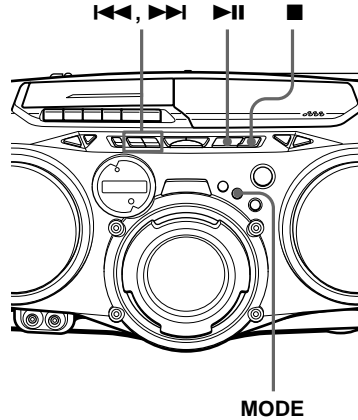
Para localizar una pista de número superior a 10, presione >10 primero y, a continuación, los botones numéricos correspondientes.

Ejemplo: Para reproducir la pista número 23, presione >10 primero y, a continuación, 2 y 3.

Reproducción repetida de las pistas

(Reproducción repetida)

Puede reproducir las pistas repetidamente en los modos de reproducción normal, aleatoria o programada (consulte las páginas 14 - 15).



1 Presione ■.
La indicación "Cd" aparece en el visor.

2 Realice lo siguiente.

Para repetir	Realice lo siguiente
--------------	----------------------

una sola pista	1 Presione MODE hasta que aparezca "REP 1". 2 Presione ◀◀ o ▶▶ para seleccionar la pista que desee repetir. 3 Presione ▶▶.
----------------	--

todas las pistas	1 Presione MODE hasta que aparezca "REP ALL". 2 Presione ▶▶.
------------------	---

pistas en orden aleatorio	1 Presione MODE hasta que aparezca "SHUF REP". 2 Presione ▶▶.
---------------------------	--

pistas programadas	1 Presione MODE hasta que aparezca "PGM REP". 2 Programe pistas (consulte el paso 3 de la página 15). 3 Presione ▶▶.
--------------------	--

continúa

Reproducción repetida de las pistas (Reproducción repetida)(continuación)

Para cancelar la reproducción repetida

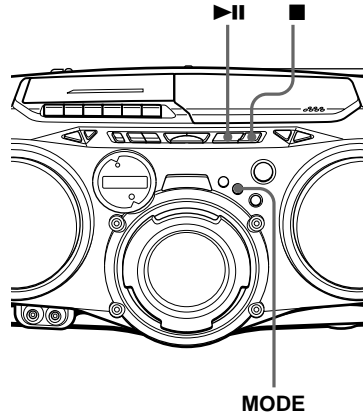
Presione **MODE** hasta que “REP” desaparezca del visor.

En el mando a distancia

- Utilice ► en lugar de ►||.
- Si ha elegido “REP 1”, seleccione la pista pulsando los botones numéricos.

Reproducción de pistas en orden aleatorio (Reproducción aleatoria)

Es posible reproducir las pistas en orden aleatorio.



- 1** Presione ■.
“Cd” aparece en el visor.
- 2** Presione **MODE** hasta que aparezca “SHUF” en el visor.
- 3** Presione ►|| para iniciar la reproducción aleatoria.

Para cancelar la reproducción aleatoria

Presione **MODE** hasta que desaparezca “SHUF” del visor.

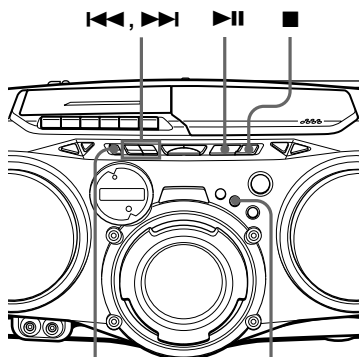
En el mando a distancia

Utilice ► en lugar de ►||.

Creación de su propio programa

(Reproducción programada)

Puede crear un programa compuesto por un máximo de 20 pistas en el orden que desee reproducirlas.



DISPLAY ENT
MEMORY

MODE

- 1 Presione **■**.
La indicación "Cd" aparece en el visor.
- 2 Presione MODE hasta que la indicación "PGM" aparezca en el visor.
- 3 Presione **◀◀** o **▶▶** para seleccionar la pista que desee programar y presione DISPLAY ENT•MEMORY.
Repita este paso.



Pista

programada

Orden de

reproducción

- 4 Presione **▶||** para iniciar la reproducción programada.

En el mando a distancia

- 1 Presione **■**.
- 2 Presione MODE hasta que "PGM" aparezca en el visor.
- 3 Presione los botones numéricos de las pistas que que vaya programar en el orden que desee.
- 4 Presione **▶**.

Para cancelar la reproducción programada

Presione MODE hasta que "PGM" desaparezca del visor.

Para comprobar el orden de las pistas antes de la reproducción

Presione DISPLAY ENT•MEMORY.

Cada vez que presione le botón, el número de pista aparece en el orden programado.

Para cambiar el programa actual

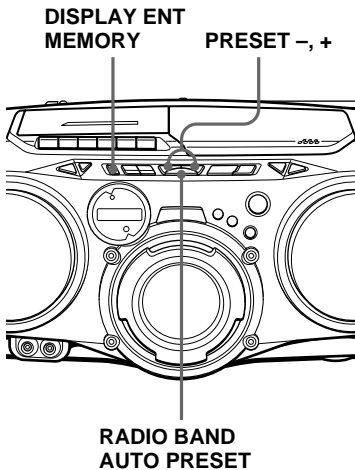
Presione **■** una vez si el CD está parado y dos veces si está reproduciéndose. El programa actual se borrará. A continuación, cree un nuevo programa siguiendo el procedimiento de programación.

Sugerencias

- Es posible volver a reproducir el mismo programa, ya que éste queda almacenado hasta que abra el compartimiento de discos compactos.
- Puede grabar su propio programa. Después de crear el programa, inserte una cinta virgen y presione **●** para iniciar la grabación.

Memorización de emisoras de radiodifusión

Es posible almacenar emisoras de radio en la memoria del reproductor. Es posible predefinir hasta 30 emisoras de radio (CFD-G70), 20 para FM y 10 para AM en cualquier orden o 40 emisoras de radio (CFD-G70L), 20 para FM y 10 para MW y LW respectivamente en cualquier orden.



- 1** Presione RADIO BAND•AUTO PRESET para seleccionar la banda.
- 2** Mantenga presionado RADIO BAND•AUTO PRESET durante 2 segundos hasta que “AUTO” parpadee en el visor.
- 3** Presione DISPLAY ENT•MEMORY. Las emisoras se almacenan en memoria desde las frecuencias inferiores hasta las superiores.

Si no es posible predefinir una emisora automáticamente

Las emisoras cuya señal sea débil deben predefinirse manualmente.

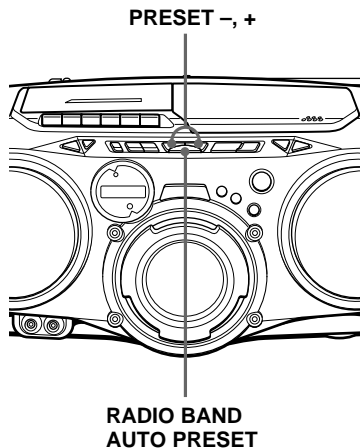
- 1** Presione RADIO BAND•AUTO PRESET para seleccionar la banda.
- 2** Sintonice la emisora deseada.
- 3** Mantenga presionado DISPLAY ENT•MEMORY durante 2 segundos.
- 4** Presione PRESET + o – hasta que el número de memorización que desee asignar a la emisora parpadee en el visualizador.
- 5** Presione DISPLAY ENT•MEMORY de nuevo.
La nueva emisora sustituye a la antigua.

En el mando a distancia

- 1** Presione BAND hasta que el visor muestre la banda que desee.
- 2** Presione TUNE + o – hasta sintonizar la emisora que desee.
- 3** Mantenga presionado durante unos 2 segundos los botones numéricos en los que desee memorizar la nueva emisora.
Para seleccionar un número de memorización superior a 10, presione >10 primero y, a continuación, los botones numéricos correspondientes.
Es preciso mantener presionado durante unos 2 segundos el botón del último número.
(Ejemplo: Para seleccionar 12, presione >10 y 1 primero y, a continuación, mantenga presionado 2 durante unos 2 segundos.)

Sintonía de emisoras almacenadas

Una vez memorizadas las emisoras, utilice PRESET + o – del reproductor o los botones numéricos del mando a distancia para sintonizar las emisoras que desee.



En el mando a distancia

- 1 Presione BAND hasta que el visor muestre la banda que desee.
- 2 Presione los botones numéricos para sintonizar la emisora almacenada.

Para sintonizar una emisora memorizada de número superior a 10, presione >10 primero y, a continuación, los botones numéricos correspondientes.

(Ejemplo: Para sintonizar la emisora memorizada con el número 12, presione >10 y 1 primero y, a continuación, presione 2.)

- 1 Presione RADIO BAND•AUTO PRESET para seleccionar la banda.
- 2 Presione PRESET + o – para sintonizar una emisora almacenada.

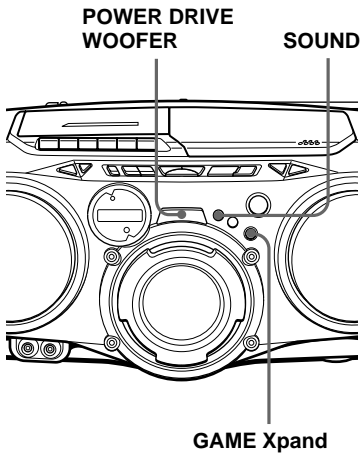
FM-05



ST FM 89.20

Selección del énfasis de audio (SOUND/POWER DRIVE WOOFER/GAME Xpand)

Es posible ajustar el énfasis del sonido que escuche. También puede disfrutar del sonido de una consola de juegos, etc., con el botón GAME Xpand.



Selección de las características de sonido

Presione SOUND varias veces para seleccionar el énfasis de audio que desee.

Elija	Para obtener
	sonidos potentes y limpios con énfasis de las gamas baja y alta de audio
	sonidos brillantes y ligeros con énfasis de las gamas alta y media de audio
	sonidos de percusión con énfasis en los graves
	sonidos vocales con énfasis de la gama media de audio
	la gama dinámica completa de música, como clásica

Potenciación de los graves

Presione POWER DRIVE WOOFER para seleccionar o en el visor. es más efectivo. Si la función POWER DRIVE WOOFER se activa, el botón se iluminará.

Para recuperar el sonido normal, presione el botón hasta que la indicación desaparezca del visor.

En el mando a distancia
Presione WOOFER.

Notas

- Mientras el temporizador de desactivación se encuentre en funcionamiento, el botón POWER DRIVE WOOFER no se iluminará, incluso con la función POWER DRIVE WOOFER activada.
- Si utiliza los auriculares, la función POWER DRIVE WOOFER no funcionará.

Obtención del efecto GAME Xpand

Presione GAME Xpand para obtener el sonido con presencia en vivo. Cuando la función GAME Xpand está activada, el botón se ilumina.

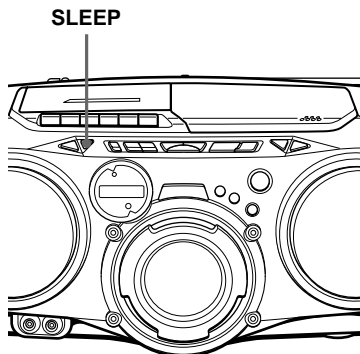
Para recuperar el sonido normal, vuelva a pulsar el botón para desactivarlo.

Nota

Si utiliza los auriculares, la función GAME Xpand no funcionará.

Desactivación automática de la unidad

Es posible ajustar el reproductor para que se desactive automáticamente transcurridos 10, 20, 30, 60, 90 y 120 minutos, de forma que pueda dormirse mientras escucha música.



- 1 Reproduzca la fuente musical que desee.
- 2 Presione SLEEP para que aparezca "SLEEP".
- 3 Presione SLEEP para seleccionar los minutos en que el reproductor se desactivará automáticamente.
Cada vez que pulse el botón, la indicación cambia como se indica a continuación:
"60" → "90" → "120" → sin indicación → "10" → "20" → "30".



Para cancelar la función de desactivación automática Presione OPERATE (o POWER) para desactivar la alimentación.

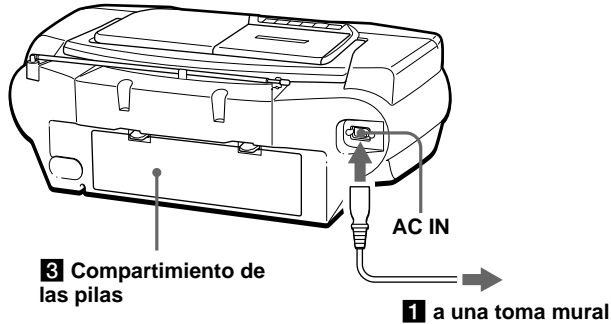
Nota

Cuando reproduzca una cinta utilizando esta función:

Si la duración de una cara de la cinta es superior al tiempo establecido, el reproductor no se detendrá hasta que la cinta llegue al final.

Selección de la fuente de alimentación

Puede utilizar la alimentación de CA o las pilas como fuente de alimentación.

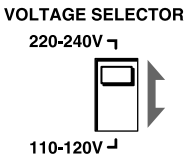


1 Conexión del cable de alimentación de CA

Inserte un extremo del cable de alimentación de CA suministrado en la clavija AC IN situada en la parte posterior del reproductor, y el otro extremo en la toma mural.

Sólo modelo para Brasil: Ajuste de la tensión

Asegúrese de ajustar el selector de tensión (VOLTAGE SELECTOR) (situado en la parte inferior) de acuerdo con la tensión del suministro eléctrico local.



Sugerencia

Sólo para los clientes a los que se haya suministrado un adaptador de enchufe de CA: Utilice el adaptador de enchufe de CA suministrado si el enchufe del cable de alimentación de CA no encaja en la toma de alimentación.

Cambio del intervalo de sintonización de AM/MW

El intervalo de sintonización de AM/MW está ajustado de fábrica de la siguiente forma:

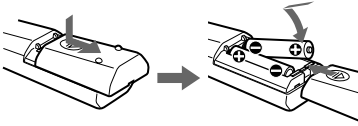
Modelos para Argentina y Brasil: 10 kHz
Otros modelos: 9 kHz

Si es necesario cambiar el intervalo de sintonización de AM/MW, realice lo siguiente:

- 1 Desconecte el cable de alimentación de CA de la toma de alimentación y extraiga todas las pilas.
- 2 Presione OPERATE (o POWER) hasta que desaparezcan todas las indicaciones del visor.
- 3 Mientras mantiene presionado RADIO BAND•AUTO PRESET y ■, vuelva a conectar el cable de corriente a la toma de alimentación. El intervalo de sintonización cambia y “AM9” “MW9” o “AM10” “MW10” aparece en el visor durante 2 segundos.

Tras cambiar el intervalo de sintonización, deberá reajustar las emisoras de radio de AM/MW memorizadas.

2 Inserción de las pilas en el mando a distancia



Inserte dos pilas R6 (tamaño AA) (no suministradas).

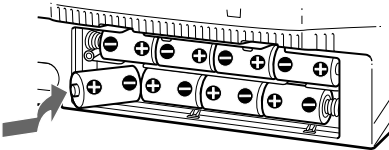
Sustitución de las pilas

Con un uso normal, las pilas deben durar aproximadamente seis meses. Cuando el reproductor no responda al mando a distancia, sustituya todas las pilas por unas nuevas.

3 Utilización del reproductor con pilas

Inserte ocho pilas R20 (tamaño D) (no suministradas) en el compartimiento de las pilas.

Para utilizar el reproductor con las pilas, desconecte el cable de alimentación de CA del mismo.



Sustitución de las pilas

Sustituya todas las pilas por otras nuevas si el indicador OPR/BATT presenta una luz tenue, o si el reproductor deja de funcionar. Sustituya todas las pilas por otras nuevas.

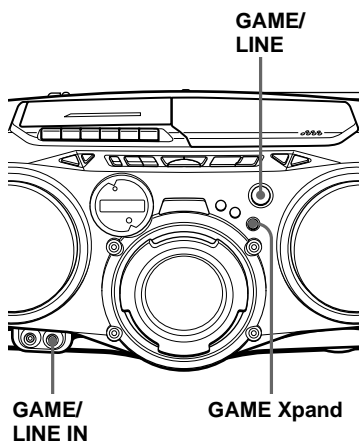
Notas

- Antes de sustituir las pilas, asegúrese de extraer el CD del reproductor.
- Al utilizar el reproductor con pilas, no es posible encenderlo con el mando a distancia.

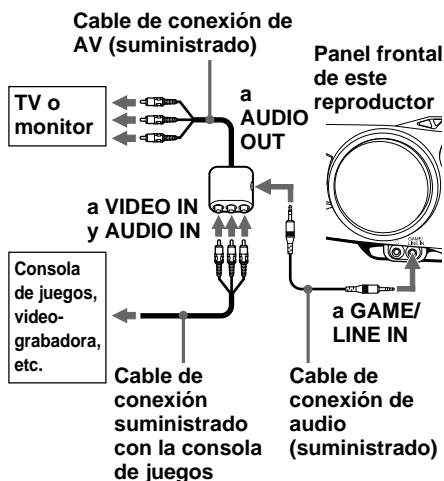
Conexión de una consola de juegos u otros componentes opcionales

Puede disfrutar del sonido de una consola de juegos o TV, etc. a través de los altavoces de este reproductor.

Asegúrese de desactivar la alimentación de todos los componentes antes de realizar las conexiones. Para obtener más información, consulte las instrucciones del componente que vaya a conectar.



Conexión de una consola de juegos

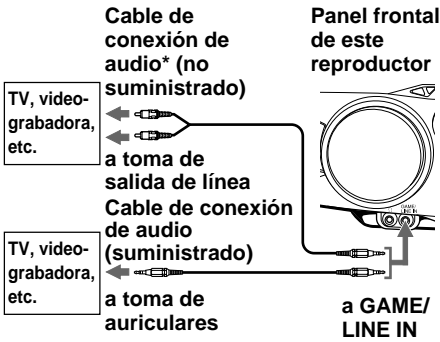


- 1 Conecte el cable de conexión de AV suministrado a la consola de juegos y al TV o monitor.
- 2 Conecte el cable de conexión de audio suministrado al cable de conexión de AV suministrado y a la toma GAME/LINE IN de este reproductor.
- 3 Presione GAME/LINE hasta que "GAME LI" aparezca en el visor.
- 4 Inicie el funcionamiento de la consola de juegos.
- 5 Pulse GAME Xpand para obtener el efecto GAME Xpand.

Nota

Cuando el cable de conexión de audio suministrado esté conectado al cable de conexión de AV suministrado, no podrá escuchar el sonido del TV o monitor.

Conexión de un TV o una videograbadora



* Un cable con un miniconector estéreo en un extremo y dos conectores fonográficos en el otro.

Una vez finalizadas las conexiones, encienda el reproductor y presione GAME/LINE para que aparezca "GAME LI".

Nota

Conecte los cables firmemente con el fin de evitar fallos de funcionamiento.

Grabación del sonido de los componentes conectados

- 1 Inserte una cinta virgen.
- 2 Presione GAME/LINE para que aparezca "GAME LI".
- 3 Presione ●.
La grabación se inicia.
- 4 Inicie la reproducción en el componente opcional conectado a la toma GAME/ LINE IN del reproductor.

Precauciones

Seguridad

- No desmonte el aparato, ya que el haz láser utilizado en la sección del reproductor de discos compactos es perjudicial para los ojos. Solicite asistencia técnica sólo a personal especializado.
- Si cae algún objeto sólido o se vierte líquido sobre el reproductor, desenchúfelo y haga que se lo revise personal especializado antes de volver a utilizarlo.
- Los discos con formas no estándar (p.ej., corazón, cuadrado, estrella) no pueden reproducirse en este reproductor. Si lo intenta, puede dañar el reproductor. No utilice tales discos.

Fuentes de alimentación

- Cuando lo alimente con CA, compruebe que la tensión de funcionamiento del reproductor coincide con la del suministro eléctrico local (consulte “Especificaciones”) y utilice el cable de corriente suministrado; no emplee otro tipo de cable. El selector de tensión está situado en la parte inferior del reproductor (sólo modelo para Brasil).
- El reproductor no estará desconectado de la fuente de alimentación de CA (corriente eléctrica) mientras esté conectado a la toma mural, incluso si ha apagado el reproductor.
- Para el funcionamiento con pilas, utilice ocho pilas R20 (tamaño D).
- Si no va a utilizar las pilas, extraígalas para evitar posibles daños causados por el derrame del electrolito o la corrosión de las mismas.
- La placa de características que indica la tensión de funcionamiento, consumo de energía, etc., está situada en la parte inferior.

Colocación

- No deje el reproductor en un lugar cercano a fuentes térmicas ni expuesto a la luz solar directa, al polvo excesivo ni a golpes mecánicos.
- No coloque el reproductor en un lugar inclinado ni inestable.
- No coloque ningún objeto a una distancia inferior a 10 mm. de los lados del aparato. Procure no obstruir los orificios de ventilación para lograr el funcionamiento apropiado y prolongar la duración de sus componentes.
- Si deja el reproductor en el automóvil aparcado al sol, elija un lugar dentro del automóvil donde la unidad no esté expuesta a los rayos directos del sol.
- Ya que los altavoces están provistos de imanes potentes, mantenga alejados del reproductor tarjetas personales de crédito con codificación magnética y relojes de cuerda para prevenir posibles daños producidos por los imanes.

Funcionamiento

- Si desplaza el reproductor directamente de un lugar frío a otro cálido, o si lo coloca en una sala muy húmeda, puede condensarse humedad en la lente del interior de la sección del reproductor de discos compactos. Si esto ocurre, el reproductor no funcionará adecuadamente. En este caso, extraiga el CD y espere durante una hora aproximadamente hasta que se evapore la humedad.
- Si no ha utilizado el reproductor durante mucho tiempo, déjelo unos minutos en el modo de reproducción para que se caliente antes de insertar un casete.

Si desea realizar alguna consulta o solucionar algún problema referente al reproductor, póngase en contacto con el proveedor Sony más próximo.

Notas sobre discos compactos

- Antes de la reproducción, limpie el CD con un paño de limpieza desde el centro hacia los bordes.

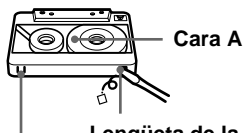


- No utilice disolventes como bencina, diluyentes, limpiadores comercialmente disponibles o rociadores antiestáticos para discos analógicos.
- No exponga el CD a la luz solar directa ni a fuentes térmicas como conductos de aire caliente; tampoco lo deje en un automóvil aparcado al sol, ya que puede producirse un considerable aumento de temperatura en el interior del automóvil.
- No adhiera papeles ni adhesivos sobre el CD, ni arañe su superficie.
- Tras la reproducción, guarde el CD en su caja.

Si el disco está rayado, sucio o tiene huellas dactilares, pueden producirse errores de seguimiento.

Notas sobre casetes

- Rompa la lengüeta del casete de la cara A o B para evitar grabaciones accidentales. Si desea volver a utilizar la cinta para realizar grabaciones, cubra el orificio de la lengüeta rota con cinta adhesiva.



Lengüeta de la cara B

Lengüeta de la cara A

- No se recomienda el uso de casetes de tiempo de reproducción superior a 90 minutos, excepto para grabación o reproducción continua y de larga duración.

Solución de problemas

General

La alimentación no se activa.

- Conecte el cable de alimentación de CA a la clavija AC IN y una toma mural con firmeza.
- Asegúrese de que ha insertado las pilas correctamente.
- Sustituya todas las pilas por otras nuevas si están agotándose.
- No es posible encender el reproductor con el mando a distancia al utilizar dicho reproductor con pilas.

La alimentación no se activa, y "bAttErY" y "Error" aparecen alternativamente.

- Asegúrese de que las pilas están insertadas correctamente.
- Sustituya todas las pilas por unas nuevas si disponen de poca energía.

Ausencia de sonido.

- Desenchufe los auriculares para recibir sonido a través de los altavoces.

La alimentación se desactiva inesperadamente.

- Sustituya todas las pilas por otras nuevas.

Se oye un ruido inusual.

El sonido se oye con ruido, es débil o es de mala calidad.

- Sustituya todas las pilas por otras nuevas si están agotándose.

Se oye ruido.

- Alguien está utilizando un teléfono móvil u otro equipo que emite ondas de radio cerca del reproductor.
→ Aleje dicho teléfono, etc., del reproductor.

continúa

Reproductor de discos compactos

La indicación “no diSC” se ilumina en el visor aunque haya un CD insertado.

- Coloque el CD con la superficie de la etiqueta hacia arriba.
- El CD-R/CD-RW no está finalizado. Finalice el CD-R/CD-RW con el dispositivo de grabación.
- Existe un problema con la calidad del CD-R/CD-RW, el dispositivo de grabación o el software de aplicación.

El CD no se reproduce.

- Coloque el CD con la superficie de la etiqueta hacia arriba.
- Limpie el CD.
- Extraiga el CD y deje abierto el compartimiento de discos compactos durante una hora aproximadamente hasta que se seque la condensación de humedad.

Pérdida de sonido.

Se oye ruido.

- Reduzca el volumen.
- Limpie el CD o sustitúyalo si está gravemente dañado.
- Sitúe el reproductor en un lugar sin vibraciones.
- Pueden producirse pérdidas de sonido o ruido si se utilizan discos CD-R/CD-RW de mala calidad o si existe algún problema con el dispositivo de grabación o el software de aplicación.

Radio

El sonido es demasiado bajo o presenta mala calidad.

- Sustituya todas las pilas por otras nuevas si están agotándose.
- Aleje el reproductor del televisor.
- Si emplea el mando a distancia mientras escucha una emisión de AM (CFD-G70) o MW/LW (CFD-G70L), es posible que se oiga ruido. Esto es inevitable.

La imagen del televisor no es estable.

- Si escucha un programa en FM cerca del televisor con una antena interior, aleje el reproductor del televisor.

Reproductor de cintas

La cinta permanece inmóvil cuando presiona un botón de funcionamiento.

- Cierre el compartimiento de la cinta con firmeza.

El botón REC ● no funciona.

La cinta no se reproduce.

- Asegúrese de que el casete está provisto de lengüeta de seguridad.

La cinta no se borra por completo.

- Limpie la cabeza borradora (consulte la página 28).
- Sustituya todas las pilas por otras nuevas si están agotándose.
- Se está reproduciendo una fuente que se grabó en una cinta TYPE II (posición alta) o TYPE IV (metal) con esta unidad. Grabe en una cinta TYPE I (normal) y reproduzca.

La cinta no puede grabarse.

- Asegúrese de que ha insertado la cinta correctamente.
- Asegúrese de que el casete está provisto de lengüeta de seguridad.

El sonido es débil o de mala calidad.

- Limpie las cabezas, el rodillo compresor y el eje de arrastre (consulte la página 28).
- Desmagnetice las cabezas con un desmagnetizador (consulte la página 28).

El sonido se distorsiona.

- Está utilizando cintas TYPE II (posición alta) o TYPE IV (metal). Emplee sólo cintas TYPE I (normal).

Mando a distancia

El mando a distancia no funciona.

- Sustituya todas las pilas del mando a distancia por unas nuevas si disponen de poca energía.
 - Cerciórese de que orienta el mando a distancia hacia el sensor de control remoto del reproductor.
 - Elimine los obstáculos que haya entre el mando a distancia y el reproductor.
 - Compruebe que el sensor de control remoto no esté expuesto a iluminaciones intensas, como a la luz solar directa o a lámparas fluorescentes.
 - Acérquese al reproductor cuando utilice el mando a distancia.
-

Si los problemas persisten después de haber realizado las soluciones sugeridas, desenchufe el cable de alimentación de CA y extraiga todas las pilas. Una vez que desaparezcan todas las indicaciones del visor, enchufe el cable de alimentación y vuelva a insertar las pilas. Si el problema no se soluciona, póngase en contacto con el proveedor Sony más próximo.

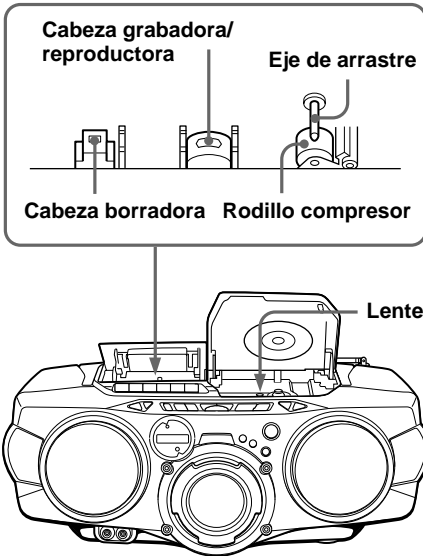
Mantenimiento

Limpeza de la lente

Si la lente se ensucia, pueden producirse pérdidas de sonido durante la reproducción del CD. Límpiela con un soplador disponible en las tiendas del ramo.

Limpeza de las cabezas y la trayectoria de la cinta

Para obtener una calidad de reproducción y grabación óptima, limpie las cabezas, el rodillo compresor y el eje de arrastre con una escobilla de limpieza ligeramente humedecida en un líquido limpiador o alcohol cada 10 horas de funcionamiento. Sin embargo, para realizar grabaciones con la mayor calidad posible, se recomienda limpiar todas las superficies por las que se desplaza la cinta antes de cada grabación.



Una vez realizada la limpieza, inserte una cinta cuando las zonas limpias estén completamente secas.

Desmagnetización de las cabezas de cinta

Transcurridas entre 20 a 30 horas de uso, se concentra suficiente cantidad de magnetismo residual en las cabezas de cinta para empezar a causar pérdida de sonido de alta frecuencia y siseo. Llegado este momento, deben desmagnetizarse las cabezas y todos los componentes de metal del recorrido de la cinta con un desmagnetizador de cabezas que podrá adquirir en una tienda del ramo.

Limpeza del exterior

Limpie la caja, el panel y los controles con un paño suave ligeramente humedecido en una solución detergente poco concentrada. No utilice estropajos, detergentes abrasivos ni disolventes como alcohol o bencina.

Especificaciones

Sección del reproductor de discos compactos

Sistema

Sistema audiodigital de discos compactos

Propiedades del diodo láser

Material: GaAlAs

Longitud de onda: 780 nm

Duración de emisión: Continua

Salida de láser: Menos de 44,6 μ W

(Esta salida es el valor medido a una distancia de unos 200 mm de la superficie del objetivo del bloque fonocaptor óptico con una apertura de 7 mm)

Velocidad del eje

200 rev./min. (rpm) a 500 rev./min. (rpm) (CLV)

Número de canales

2

Respuesta de frecuencia

20 - 20 000 Hz \pm 1/-2 dB

Fluctuación y trémolo

Por debajo del límite medible

Sección de la radio

Margen de frecuencias

CFD-G70

FM 87,6 - 108 MHz

AM 531 - 1 602 kHz (intervalo de 9 kHz)
530 - 1 610 kHz (intervalo de 10 kHz)

CFD-G70L

FM 87,5 - 108 MHz

MW 531 - 1 602 kHz (intervalo de 9 kHz)
530 - 1 610 kHz (intervalo de 10 kHz)

LW 153 - 279 kHz

IF

FM: 10,7 MHz

AM/MW/LW: 450 kHz

Antenas

FM: Antena telescópica

AM/MW/LW: Barra de ferrita incorporada

Sección de la grabadora de casetes

Sistema de grabación

4 pistas, 2 canales estéreo

Tiempo de bobinado rápido

120 seg. aprox. con casetes Sony C-60

Respuesta de frecuencia

TYPE I (normal): 70 - 13 000 Hz

General

Altavoces

Altavoz principal: 10 cm de diámetro, 3,2 Ω , tipo cónico (2)

Altavoz potenciador de graves: 8 cm de diámetro, 4 Ω , tipo cónico (1)

GAME Xpand: 5 cm de diámetro, 12 Ω , tipo cónico (2)

Entradas

GAME/LINE IN (minitoma estéreo): Sensibilidad de 436 mV

Salidas

Toma de auriculares (minitoma estéreo)

Para auriculares de 16 - 68 Ω de impedancia

Salida máxima de potencia

Altavoz principal: 8 W

Altavoz potenciador de graves: 12 W

GAME Xpand: 2,4 W

Requisitos de alimentación:

Para radiograbadora con CD:

Modelo para Argentina: 220 - 230 V CA, 50 Hz

Modelo para Brasil: 110 - 120V, 220 - 240V CA, 50/60 Hz

Otros modelos: 230 V CA, 50 Hz

12 V CC, 8 pilas de R20 (tamaño D)

Para el mando a distancia:

3 V CC, 2 pilas R6 (tamaño AA)

Consumo

CA 35 W

Duración de las pilas

Para radiograbadora con CD:

Grabación de FM

Sony R20P: 6,5 h. aprox.

Alcalinas LR20 Sony: 18 h. aprox.

Reproducción de cintas

Sony R20P: 1,5 h. aprox.

Alcalinas LR20 Sony: 6 h. aprox.

Reproducción de discos compactos

Sony R20P: 1 h. aprox.

Alcalinas LR20 Sony: 4 h. aprox.

Dimensiones

530 \times 195 \times 342 mm. aprox. (an/al/f)
(incluyendo partes salientes)

Peso

7,4 kg. aprox. (incluyendo las pilas)

Accesorios suministrados

Cable de alimentación de CA (1)

Mando a distancia (1)

Cable de conexión de AV (1)

Cable de conexión de audio (1)

El diseño y las especificaciones están sujetos a cambio sin previo aviso.

Accesorios opcionales

Auriculares de la serie MDR Sony

Índice alfabético

A, B, C

Conexión

- cable de alimentación de CA 20
- componentes opcionales 22

- Creación de su propio programa 15

D

- Desmagnetización de las cabezas de cinta 28

E

- Emisoras de radio
 - memorización 16
 - intonía 17
- Énfasis de audio 18

F

- Fuentes de alimentación 20

G, H

- GAME Xpand 18
- Grabación en una cinta 10

I, J, K

- Intervalo de sintonización de AM/MW 20

L

Limpieza

- cabezas y recorrido de cinta 28
- exterior 28
- Localización de una pista específica 12

M, N, O

- Mejora de la recepción de emisoras 7
- Memorización de emisoras de radiodifusión 16

P, Q

Pilas

- para el mando a distancia 21
- para el reproductor 21
- POWER DRIVE WOOFER 18
- Preparativos 20

R

- Radiorecepción 6
- Reproducción
 - emisoras de radio programadas 17
 - pistas de forma repetida 13
 - un CD 4
 - una cinta 8
- Reproducción aleatoria 14
- Reproducción programada 15
- Reproducción repetida 13
- Reproductor de CD 12

S

Selección

- énfasis de audio 18
- pistas 5
- Selección de la fuente de alimentación 20
- Selector de tensión 20
- Solución de problemas 25
- SOUND 18

T

Temporizador

- Desactivación automática de la unidad 19

U

- Utilización del visor 12

V, W, X, Y, Z

- Visor 12

Free Manuals Download Website

<http://myh66.com>

<http://usermanuals.us>

<http://www.somanuals.com>

<http://www.4manuals.cc>

<http://www.manual-lib.com>

<http://www.404manual.com>

<http://www.luxmanual.com>

<http://aubethermostatmanual.com>

Golf course search by state

<http://golfingnear.com>

Email search by domain

<http://emailbydomain.com>

Auto manuals search

<http://auto.somanuals.com>

TV manuals search

<http://tv.somanuals.com>