

FM/AM Clock Radio

Operating Instructions

ICF-C717PJ

DREAM MACHINE

Dream Machine is a trademark of Sony Corporation.



No Power No Problem is a trademark of Sony Corporation.

©2010 Sony Corporation Printed in China



* 4 1 8 0 7 2 2 3 1 * (1)

<http://www.sony.net/>

For customers who purchased this product in the USA Please register this product on line at <http://www.sony.com/productregistration>. Proper registration will enable us to send you periodic mailings about new products, services, and other important announcements. Registering your product will also allow us to contact you in the unlikely event that the product needs adjustment or modification. Thank you.

WARNING

To reduce the risk of fire or electric shock, **do not expose this apparatus to rain or moisture.**

To reduce the risk of fire, do not cover the ventilation of the apparatus with newspapers, tablecloths, curtains, etc. And do not place lighted candles on the apparatus.

To reduce the risk of fire or electric shock, do not expose this apparatus to dripping or splashing, and do not place objects filled with liquids, such as vases, on the apparatus.

Do not install the appliance in a confined space, such as a bookcase or built-in cabinet.

Do not expose the batteries (battery pack or batteries installed) to excessive heat such as sunshine, fire or the like for a long time.

As the main plug is used to disconnect the unit from the mains, connect the unit to an easily accessible AC outlet. Should you notice an abnormality in the unit, disconnect the main plug from the AC outlet immediately.

The unit is not disconnected from the AC power source (mains) as long as it is connected to the wall outlet, even if the unit itself has been turned off.

You are cautioned that any changes or modifications not expressly approved in this manual could void your authority to operate this equipment.

The nameplate and important information concerning safety are located on the bottom exterior.

CAUTION

Danger of explosion if battery is incorrectly replaced. Replace only with the same type.

NOTE

This equipment has been tested and found to comply with the limits for a Class B digital device, pursuant to Part 15 of the FCC Rules. These limits are designed to provide reasonable protection against harmful interference in a residential installation. This equipment generates, uses and can radiate radio frequency energy and, if not installed and used in accordance with the instructions, may cause harmful interference to radio communications. However, there is no guarantee that interference will not occur in a particular installation. If this equipment does cause harmful interference to radio or television reception, which can be determined by turning the equipment off and on, the user is encouraged to try to correct the interference by one or more of the following measures:

- Reorient or relocate the receiving antenna.
- Increase the separation between the equipment and receiver.
- Connect the equipment into an outlet on a circuit different from that to which the receiver is connected.
- Consult the dealer or an experienced radio/TV technician for help.

WARNING

- Replace the battery for the clock backup with a Sony CR2032 lithium battery. Use of another battery may present a risk of fire or explosion.
- Battery may explode if mistreated. Do not recharge, disassemble or dispose of in fire.
- Dispose of the used battery promptly. Keep away from children.

Important Safety Instructions

- 1) Read these instructions.
- 2) Keep these instructions.
- 3) Heed all warnings.
- 4) Follow all instructions.
- 5) Do not use this apparatus near water.
- 6) Clean only with dry cloth.
- 7) Do not block any ventilation openings. Install in accordance with the manufacturer's instructions.
- 8) Do not install near any heat sources such as radiators, heat registers, stoves, or other apparatus (including amplifiers) that produce heat.
- 9) Do not defeat the safety purpose of the polarized or grounding-type plug. A polarized plug has two blades with one wider than the other. A grounding type plug has two blades and a third grounding prong. The wide blade or the third prong are provided for your safety. If the provided plug does not fit into your outlet, consult an electrician for replacement of the obsolete outlet.
- 10) Protect the power cord from being walked on or pinched particularly at plugs, convenience receptacles, and the point where they exit from the apparatus.
- 11) Only use attachments/accessories specified by the manufacturer.
- 12) Use only with the cart, stand, tripod, bracket, or table specified by the manufacturer, or sold with the apparatus. When a cart is used, use caution when moving the cart/apparatus combination to avoid injury from tip-over.



- 13) Unplug this apparatus during lightning storms or when unused for long periods of time.
- 14) Refer all servicing to qualified service personnel. Servicing is required when the apparatus has been damaged in any way, such as power-supply cord or plug is damaged, liquid has been spilled or objects have fallen into the apparatus, the apparatus has been exposed to rain or moisture, does not operate normally, or has been dropped.

For the state of California, USA only
Perchlorate Material –special handling may apply. See www.dtsc.ca.gov/hazardouswaste/perchlorate
Perchlorate Material: Lithium battery contains perchlorate

Features

- Dual alarm FM/AM synthesized clock radio
- Nature Sounds (Sea Waves, Birds, Rain, Brook, Under the Sea)
- Room temperature display (Fahrenheit / Centigrade) 5°F – 122°F (–15°C – 50°C)
- Built-in audio cable for Digital Music Player
- 10 Station Presets (5 FM/5 AM)
- Various types of alarms - radio, buzzer and Nature Sounds (5)
- Automatic time set: when you plug the clock in for the first time, the current time will be shown in the display
- Automatic Daylight Saving Time Set/Summer time adjustment
- 100-year calendar and **DATE/TIME** **ZONE** button to display year, month, and date
- Brightness Control (High/Low/Off)
- No Power No Problem alarm system to keep the clock and the alarm operating during a power interruption with a CR2032 battery installed
- Extendable Snooze system - Snooze time can be set from 10 to 60 minutes
- Progressive Alarm Speed (buzzer only)

Precautions

- Play the unit on the power source specified in “Specifications.”
 - To disconnect the power cord (mains lead), pull it out by the plug, not the cord.
 - Since a strong magnet is used for the speaker, keep personal credit cards using magnetic coding or spring-wound watches away from the unit to prevent possible damage from the magnet.
 - Do not leave the unit in a location near a heat source such as a radiator or airduct, or in a place subject to direct sunlight, excessive dust, mechanical vibration, or shock.
 - Allow adequate air circulation to prevent internal heat build-up. Do not place the unit on a thick pile surface (rug, a blanket, etc.), or near materials that might block the ventilation holes (such as a curtain, etc.).
 - Should any solid object or liquid fall into the unit, unplug the unit and have it checked by qualified personnel before operating it any further.
 - To clean the casing, use a soft cloth dampened with a mild detergent solution.
 - Never touch the wire of the external FM antenna during a thunderstorm. Furthermore, immediately disconnect the main plug from the wall outlet.
- NOTES ON THE LITHIUM BATTERY**
- Wipe the battery with a dry cloth to assure a good contact.
 - Be sure to observe the correct polarity when installing the battery.
 - Do not hold the battery with metallic tweezers, otherwise a short-circuit may occur.

If you have any questions or problems concerning your unit, consult your nearest Sony dealer.

Troubleshooting

Should any problem persist after you have made the following checks, consult your nearest Sony dealer.

- **The clock flashes “AM 12:00” due to a power interruption.**
- The battery is low. Replace the battery. Remove the old battery and install a new one.
- **The alarm settings do not sound at the preset alarm time.**
- Check that alarm “**A**” or alarm “**B**” is properly set/displayed.
- **The alarm settings are activated but there is no sound at the preset alarm time.**
- Check the alarm volume setting.

When daylight saving time begins, the clock does not switch to daylight saving time automatically.

- Make sure the clock is set correctly.
- Press and hold **DISPLAY/CLOCK** and **SNOOZE / BRIGHTNESS** simultaneously for at least 2 seconds to activate the Automatic DST function.

Specifications

Time display

12-hour system

Radio section

Frequency range

Band	Frequency	Channel step
FM	87.5 MHz – 108 MHz	0.1 MHz
AM	530 kHz – 1,710 kHz	10 kHz

General

Speaker

Approx. 3.6 cm (1 7/16 inches) dia., 8 Ω

Input

Built-in audio cable with stereo mini plug (ø 3.5 mm)

Power output

0.7 W (at 10% harmonic distortion)

Power requirements

120 V AC, 60 Hz

For clock back up: 3V DC, one CR2032 battery

Nature Sounds

Sea Waves, Birds, Rain, Brook, Under the Sea

Temperature range

5 °F – 122 °F (–15 °C – 50 °C)

Temperature resolution

1 °F (1 °C)

Dimensions

Approx. 217 mm × 67 mm × 62 mm (w/h/d)

(8 3/8 inches × 2 3/4 inches × 2 1/2 inches) not including projecting parts and controls

Mass

Approx. 675 g (1 lb 7.63 oz) including power supply unit and CR2032 battery

Supplied accessories

AM loop antenna (1)

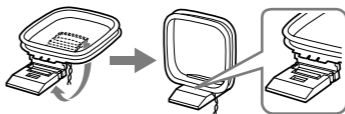
Design and specifications are subject to change without notice.

Connecting the antenna

To connect the AM loop antenna

The shape and the length of the antenna is designed to receive AM signals. Do not dismantle or roll up the antenna.

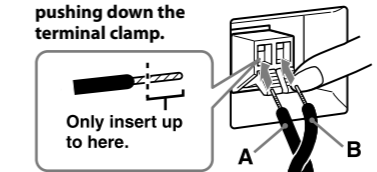
- 1 Remove only the loop part from the plastic stand.
- 2 Set up the AM loop antenna.



- 3 Connect the cords to the AM antenna terminals.

Cord (A) or cord (B) can be connected to either terminal.

Insert the cord while pushing down the terminal clamp.



- 4 Make sure the AM loop antenna is connected firmly by pulling softly.

Adjusting the AM loop antenna

Find a place and an orientation that provides good reception.

- Do not place the AM loop antenna near the unit or other AV equipment, as noise may result.

Tip

Adjust the direction of the AM loop antenna for best AM broadcast sound.

About the backup battery

To maintain accurate time, this unit includes an internal CR2032 battery as a backup power source in the event of a power interruption.

Knowing when to replace the battery

When the battery becomes weak, “㉑” will appear in the display.

If a power interruption occurs while the battery is weak, the current time and alarm will be erased.

Replace the battery with a Sony CR2032 lithium battery. Use of another battery may cause a fire or explosion.

Note

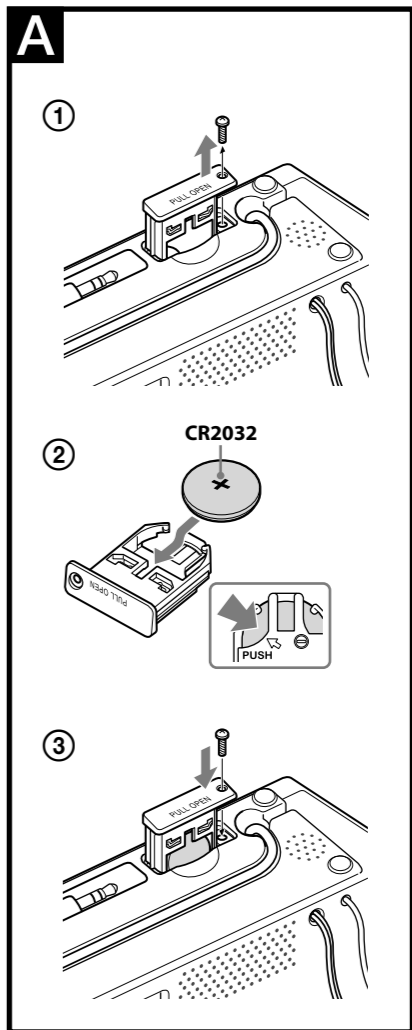
If “AM 12:00” flashes in the display when the unit is connected to an AC outlet for the first time, the battery may be weak. In this case, consult your Sony dealer.

Installing and replacing the backup battery

- 1 Keep the AC power cord connected to the AC outlet, remove the screw that secures the battery compartment at the bottom of the unit using a screwdriver, and pull the battery compartment marked **PULL OPEN**. (See fig. **A**-①)
- 2 Insert a new battery in the battery holder with the **+** side facing up. To remove the battery from the battery compartment, push it out from the side marked **PUSH**. (See fig. **A**-②)
- 3 Insert the battery compartment back into the unit and secure it with the screw. (See fig. **A**-③)
- 4 To turn “㉑” off in the display, press **RADIO · BAND, AUDIO IN**, or **NATURE SOUND / PRESET** after replacing the battery.

Notes

- When you replace the battery, do not disconnect the AC power cord from AC outlet. Otherwise, the 100-year calendar, current time, alarm, and station presets will be erased.
- If the clock is erased while you are replacing the battery, set the clock again. (See “Setting the clock”)



Setting the time zone and the clock for the first time

This unit is preset to current EST (Eastern Standard Time) at the factory, and is powered by a backup battery. All you need to do the first time is just plug it in and select your time zone.

- 1 Plug in the unit. “year” (about 4 seconds) → “month and date” (about 4 seconds) → “current EST (Eastern Standard Time)” appears in the display in turn.
- 2 Press and hold **DATE/TIME** **ZONE** for at least 2 seconds. Area number “2” flashes in the display.
- 3 Press **TIME SET +** or – repeatedly to select the time zone as follows:

Area number	Time zone
1	Atlantic Standard Time
2	Eastern Standard Time (default setting)
3	Central Standard Time
4	Mountain Standard Time
5	Pacific Standard Time
6	Yukon Standard Time
7	Hawaiian Standard Time

- 4 Press **DATE/TIME** **ZONE** to set.

Notes

- Though the clock is correctly set at the factory, discrepancies may arise during transport or storage. If necessary, set the clock to the correct time by referring to “Setting the clock.”
- While setting the time zone, you must perform each step within 65 seconds, or the time zone setting mode will be canceled.

When daylight saving time (summer time) begins

This model automatically adjusts for daylight saving time (summer time). “☼” is displayed from the beginning of daylight saving time (summer time), and disappears at the end of daylight saving time (summer time) automatically.

- Daylight saving time (summer time) begins at: 2:00 AM on the second Sunday of March.
- Standard time begins at: 2:00 AM on the first Sunday of November.

To cancel Automatic DST/Summer Time adjustment during daylight saving time (summer time)
Automatic DST/Summer Time adjustment can be canceled.

Press and hold **DISPLAY/CLOCK** and **SNOOZE / BRIGHTNESS** at the same time for at least 2 seconds while the clock is displayed. “☼” and “OFF” appear in the display to show that Automatic DST/Summer Time adjustment has been canceled. The display returns to the clock.

Notes

- Daylight saving time (summer time) is subject to variations in circumstances and laws of each country/region. Customers living in a country/region without daylight saving time (summer time) from 2:00 AM on the second Sunday of March to 2:00 AM on the first Sunday of November must cancel Automatic DST/Summer Time adjustment before using the unit.
- To activate Automatic DST/Summer Time adjustment again, press and hold **DISPLAY/ CLOCK** and **SNOOZE / BRIGHTNESS** at the same time for at least 2 seconds. “☼” and “On” appear in the display to show that Automatic DST/Summer Time adjustment has been activated. The display returns to the clock.

SONY

Portable Audio

LIMITED WARRANTY

(U.S. Only)

Sony Electronics Inc. (“Sony”) warrants this product against defects in material or workmanship for the time periods and as set forth below. Pursuant to this Limited Warranty, Sony will, at its option, (i) repair the product using new or refurbished parts or (ii) replace the product with a new or refurbished product. For purposes of this Limited Warranty, “refurbished” means a product or part that has been returned to its original specifications. **In the event of a defect, these are your exclusive remedies.**

Term: For a period of one (1) year from the original date of purchase of the product. Sony will, at its option, repair or replace with new or refurbished product or parts, any product or parts determined to be defective.

This Limited Warranty covers only the hardware components packaged with the Product. It does not cover technical assistance for hardware or software usage and it does not cover any software products whether or not contained in the Product; any such software is provided “AS IS” unless expressly provided for in any enclosed software Limited Warranty. Please refer to the End User License Agreements included with the Product for your rights and obligations with respect to the software.

Instructions: To obtain warranty service, you must deliver the product, freight prepaid, in either its original packaging or packaging affording an equal degree of protection to the Sony authorized service facility specified. **It is your responsibility to backup any data, software or other materials you may have stored or preserved on your unit. It is likely that such data, software, or other materials will be lost or reformatted during service and Sony will not be responsible for any such damage or loss.** A dated purchase receipt is required. For specific instructions on how to obtain warranty service for your product,

The Address of the Laredo Fulfillment Center is:

Laredo Fulfillment Center
10227 Crossroads Loop Suite B
Laredo, TX 78045

Visit Sony’s Web Site:
www.sony.com/service

Or call the **Sony Customer Information Service Center**
1-800-222-SONY (7669)

For an accessory or part not available from your authorized dealer, call:

1-800-488-SONY (7669)

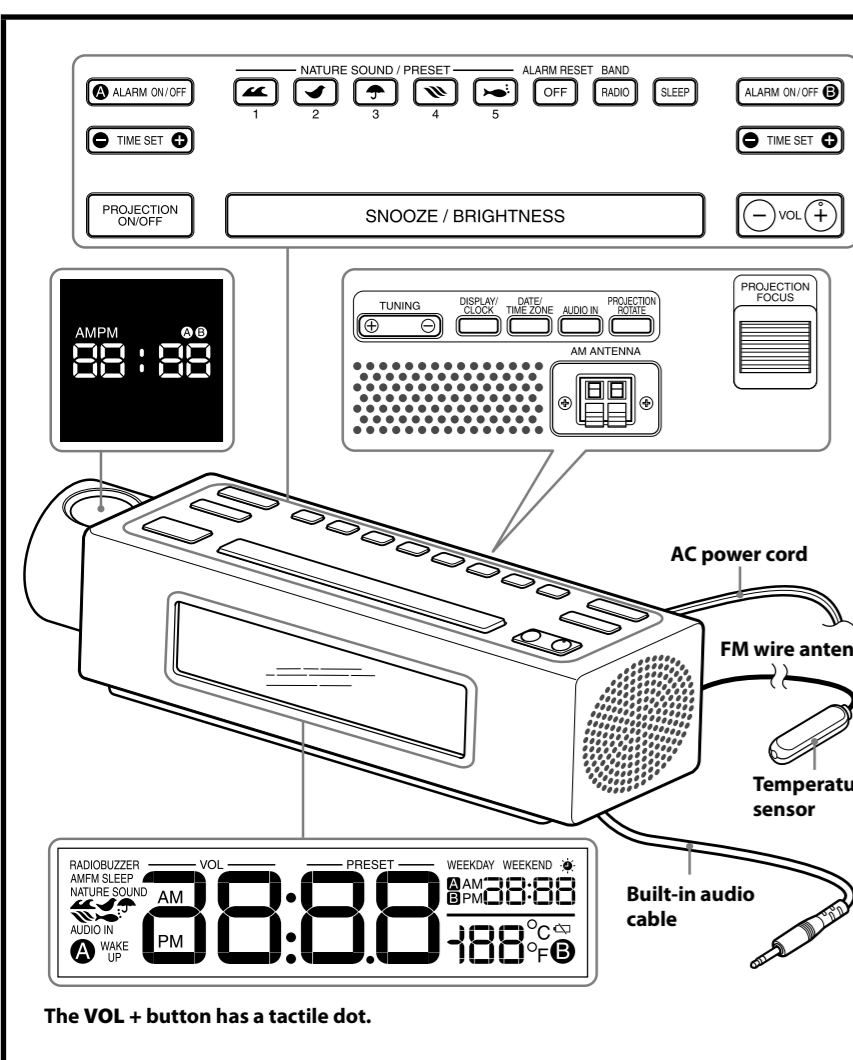
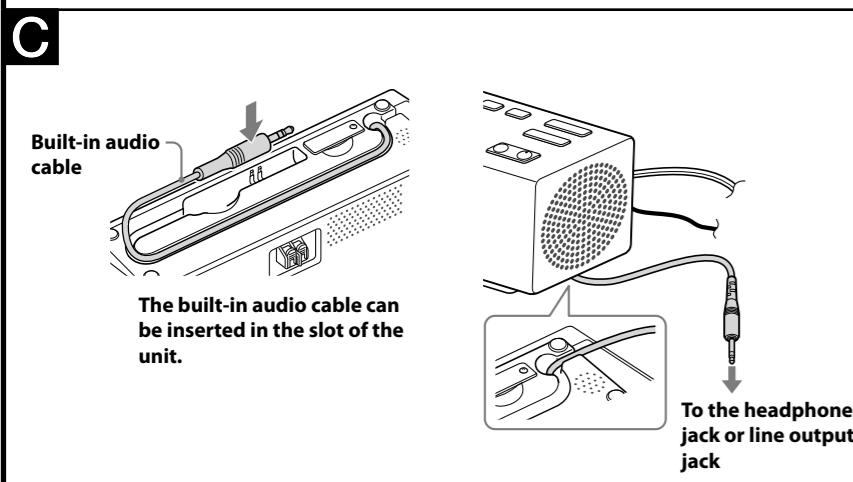
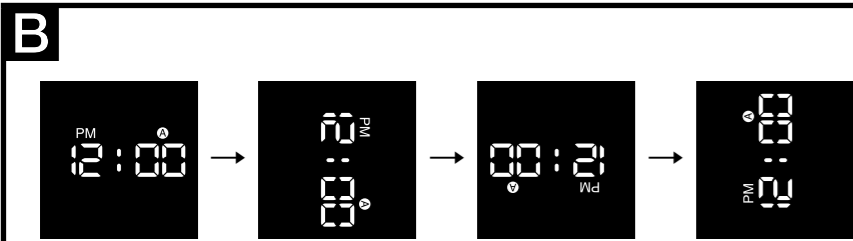
Repair / Replacement Warranty: This Limited Warranty shall apply to any repair, replacement part or replacement product for the remainder of the original Limited Warranty period or for ninety (90) days, whichever is longer. Any parts or product replaced under this Limited Warranty will become the property of Sony.

This Limited Warranty only covers product issues caused by defects in material or workmanship during ordinary consumer use; it does not cover product issues caused by any other reason, including but not limited to product issues due to commercial use, acts of God, misuse, limitations of technology, or modification of or to any part of the Sony product. This Limited Warranty does not cover Sony products sold AS IS or WITH ALL FAULTS or consumables (such as fuses or batteries). This Limited Warranty is invalid if the factory-applied serial number has been altered or removed from the product. This Limited Warranty is valid only in the United States.

LIMITATION ON DAMAGES: SONY SHALL NOT BE LIABLE FOR ANY INCIDENTAL OR CONSEQUENTIAL DAMAGES FOR BREACH OF ANY EXPRESS OR IMPLIED WARRANTY ON THIS PRODUCT.

DURATION OF IMPLIED WARRANTIES: EXCEPT TO THE EXTENT PROHIBITED BY APPLICABLE LAW, ANY IMPLIED WARRANTY OF MERCHANTABILITY OR FITNESS FOR A PARTICULAR PURPOSE ON THIS PRODUCT IS LIMITED IN DURATION TO THE DURATION OF THIS WARRANTY.

Some states do not allow the exclusion or limitation of incidental or consequential damages, or allow limitations on how long an implied warranty lasts, so the above limitations or exclusions may not apply to you. This Limited Warranty gives you specific legal rights and you may have other rights which vary from state to state.



Setting the clock

- 1 Plug in the unit.
- 2 Press and hold **DISPLAY/CLOCK** for at least 2 seconds. The year starts to flash in the display.
- 3 Press **TIME SET +** or **-** repeatedly to set the year.
- 4 Press **DISPLAY/CLOCK**.
- 5 Repeat steps 3 and 4 to set the month, day, hour and minute, and then press **DISPLAY/CLOCK**. The seconds advance from zero.

Notes

- While setting the clock, you must perform each step within 65 seconds, or the clock setting mode will be canceled.
- When pressing any of the rear buttons, hold the unit firmly to prevent slippage.

To display the year and date

Press **DATE/TIME ZONE** once for the year, and press again for the date. After a while, the display will change back to the current time automatically.

Using the Projector function

The Projector function allows you to display the clock and alarm on a nearby wall, up to a distance of 2 metres away. Pressing the **PROJECTION ROTATE** button repeatedly changes the angle of rotation at which the clock and alarm appear.

How to use

- 1 Plug in the unit.
- 2 Select the location and height.
- 3 Press the **PROJECTION ON/OFF** button.
- 4 To adjust the focus, turn **PROJECTION FOCUS**.
- 5 To press the **PROJECTION ROTATE** button repeatedly changes the angle of rotation at which the clock and alarm appear. (See fig. **B**)

Notes

- The Projector function cannot be used unless the clock has been set.
- Do not stare into the lens directly.
- Certain walls may not display the projection properly.
- The projector can be rotated 90° left or right from the upward position, and clicks when returned to the upward position.
- If the projector unit is rotated beyond limited, it may be damaged.
- The projector will automatically turn off after 10 hours.

Setting the brightness of the display

Three levels of brightness are available by pressing **SNOOZE / BRIGHTNESS**.

High (default) → Low → Off

Note

When the alarm is sounding, the brightness function cannot be used.

Playing the radio

Manual tuning

- 1 Press **RADIO · BAND** to turn on the radio and select the AM or FM band.
- 2 Press **TUNING +** or **-** to tune in to a desired frequency.
- 3 Adjust the volume using **VOL +** or **-**.

Tuning in to a station

The unit automatically scans AM or FM stations.

- 1 Press **RADIO · BAND** to turn on the radio to select the AM or FM band.
- 2 Press and hold **TUNING +** or **-**.
+ : scans upward through the frequency bands.
- : scans downwards through the frequency bands.
Scanning starts from the currently-tuned frequency. When a station is received, scanning stops.
- 3 Adjust the volume using **VOL +** or **-**.

Preset tuning

You can preset 5 stations for FM and 5 stations for AM.

Presetting a station

- 1 Follow steps 1 and 2 in “Manual tuning” to tune the frequency you wish to preset.
- 2 Hold down the desired **NATURE SOUND / PRESET 1 to 5** button until you hear two beeps.

Example: The following display appears when you preset FM 105.7 MHz to preset number 3 for FM.



The display shows the frequency for a few seconds and then changes back to the current time.

To change the preset station, tune in to the desired station and hold down the **NATURE SOUND / PRESET 1 to 5** button until you hear two beeps.

To preset another station, repeat these steps.

Note

If you try to store another station with the same preset number, the previously stored station will be replaced.

Tuning in to a preset station

- 1 Press **RADIO · BAND** to turn on the radio and select the AM or FM band.
- 2 Press **NATURE SOUND / PRESET 1 to 5** where the desired station is stored.
- 3 Adjust the volume using **VOL +** or **-**.

Improving the reception

FM: Extend the FM wire antenna fully to increase reception sensitivity.

AM: Connect the supplied AM loop antenna to the unit. Rotate the antenna horizontally for optimum reception.

Note on radio reception

Keep digital music players or mobile phones away from the AM loop antenna or the FM antenna, as this may lead to reception interference.

Selecting a Nature Sound

This unit includes 5 types of Nature Sounds: (Sea Waves, Birds, Rain, Brook, and Under the Sea.)

You can choose any one of these by pressing the corresponding button.

Icons	Sound type
	Sea Waves
	Birds
	Rain
	Brook
	Under the Sea

Note

When other functions are in use, Nature Sounds are not available.

Setting the alarm

The dual alarm function allows you to set two alarm programs (**ALARM ON/OFF A** and **ALARM ON/OFF B**).

The alarm time can be set for each program and the alarm sound is selectable from “NATURE SOUND,” “RADIO,” or “BUZZER.”

Notes

- Before setting the alarm, make sure to set the clock. (See “Setting the clock”)
- The factory setting alarm time is “PM 12:00.”
- To set the radio alarm, first preset your favorite station. (See “Presetting a station”)
- While setting the alarm, you must perform each step within 65 seconds, or the alarm setting mode will be canceled.

To set the alarm

- 1 Press and hold **ALARM ON/OFF A** or **B** for a few seconds.
- 2 Press **TIME SET +** or **-** to set the desired hour, and press **ALARM ON/OFF A** or **B**.
- 3 Press **TIME SET +** or **-** to set the desired minute, and press **ALARM ON/OFF A** or **B**.
- 4 Press **TIME SET +** or **-** to set the desired alarm period (“WEEKDAY,” “WEEKEND,” or everyday*), and press **ALARM ON/OFF A** or **B**.
* In the case of everyday, both “WEEKDAY” and “WEEKEND” are displayed.
- 5 Press **TIME SET +** or **-** to set the desired alarm mode (“NATURE SOUND,” “RADIO,” or “BUZZER”), and press **ALARM ON/OFF A** or **B**. You can choose one of 3 settings: “NATURE SOUND,” “RADIO,” or “BUZZER.” Set the alarm mode as follows:
– NATURE SOUND: see “[A] Setting the Nature Sound alarm.”
– RADIO: see “[B] Setting the radio alarm.”
– BUZZER: see “[C] Setting the buzzer alarm.”

[A] Setting the Nature Sound alarm

- 1 Perform steps 1 to 5 in “To set the alarm.”
- 2 Press **TIME SET +** or **-** to select “NATURE SOUND” alarm mode, and press **ALARM ON/OFF A** or **B**. “NATURE SOUND” appears in the display.
- 3 Press **TIME SET +** or **-** to select the **NATURE SOUND / PRESET 1 to 5**, and press **ALARM ON/OFF A** or **B**.
- 4 Press **TIME SET +** or **-** to adjust the volume, and press **ALARM ON/OFF A** or **B**. The setting is entered.
- 5 Press **ALARM ON/OFF A** or **B**. “**A**” or “**B**” appears in the display after about 4 seconds. Nature Sounds will sound at the set time.

[B] Setting the radio alarm

- 1 Perform steps 1 to 5 in “To set the alarm.”
- 2 Press **TIME SET +** or **-** to select “RADIO” alarm mode, and press **ALARM ON/OFF A** or **B**. “RADIO” appears in the display.
- 3 Press **TIME SET +** or **-** to select the AM band, FM band or the last station, and press **ALARM ON/OFF A** or **B**. If you select the last station, jump to step 5.
- 4 Press **TIME SET +** or **-** to select the station, and press **ALARM ON/OFF A** or **B**.
- 5 Press **TIME SET +** or **-** to adjust the volume, and press **ALARM ON/OFF A** or **B**. The setting is entered.
- 6 Press **ALARM ON/OFF A** or **B**. “**A**” or “**B**” appears in the display after about 4 seconds. The radio will turn on at the set time.

[C] Setting the Buzzer alarm

- 1 Perform steps 1 to 5 in “To set the alarm.”
- 2 Press **TIME SET +** or **-** to select “BUZZER” alarm mode, and press **ALARM ON/OFF A** or **B**. The setting is entered.
- 3 Press **ALARM ON/OFF A** or **B**. “**A**” or “**B**” appears in the display after about 4 seconds. The buzzer will sound at the set time.

When the alarm setting is completed, the alarm time setting is displayed.

When both **ALARM “A”** and **ALARM “B”** are turned on, you can switch the **ALARM A** and **ALARM B** display by pressing **DISPLAY/CLOCK**.

Notes

- When you use the radio alarm, the timed alarm sounds with the last broadcasting station tuned to before the power went off. When you set the radio alarm, select the desired broadcasting station before turning the power off.
- The **ALARM “A”** (or “**B**”) indicator flashes in the display when the alarm sounds.
- If a second alarm sounds during a first (or the SNOOZE function is active), the second alarm takes priority.
- The alarm function works as usual on the first and last day of daylight saving time (summer time) while Automatic DST/Summer Time adjustment is set. As a result, if the alarm is set to a time skipped when daylight saving time (summer time) begins in March: the alarm is skipped. If the alarm is set to a time skipped when daylight saving time (summer time) ends in November: the alarm sounds twice.
- If the same alarm time is set for both alarms (**ALARM A** and **B**), **ALARM A** takes priority.

To confirm an alarm time setting

Turn off the **ALARM ON/OFF “A”** or “**B**” indicator in the display, and press the **ALARM ON/OFF A** or **B** button again. You can confirm the alarm time by pressing **TIME SET +** or **-** after the alarm time is set.

To change an alarm setting

There are two ways to set the alarm:

- ① **To change all alarm settings**
Set the alarm again.

- ② **To change an alarm time only**
When the alarm is set (**ALARM “A**” or **ALARM “B”** appears), this function is available.

Press and hold **TIME SET +** for at least 2 seconds to move the alarm time forwards. Press and hold **TIME SET -** for at least 2 seconds to move the alarm time back. When you release the button, the changed time will be displayed for about 2 seconds. To further change the alarm time, press **TIME SET +** or **-** within these 2 seconds, otherwise the setting change will be fixed as displayed.

To doze for a few more minutes

Press **SNOOZE / BRIGHTNESS**.

The sound turns off but will automatically come on again after about 10 minutes.

You can change the snooze time by pressing **SNOOZE / BRIGHTNESS** repeatedly within 4 seconds.

The maximum snooze time is 60 minutes.

To stop the alarm

Press **OFF · ALARM RESET** to turn off the alarm.

The alarm will sound again at the same time the next day (if the setting is not changed).

To deactivate the alarm

Press **ALARM ON/OFF A** or **B** to turn off the **ALARM “A”** or “**B**” indicator in the display.

Note on the alarm in the event of a power interruption

In the event of a power interruption, the alarm will work until the internal battery is worn out. However, certain functions may be affected as follows:

- The backlight will not light up.
- If the alarm mode is set to NATURE SOUND or RADIO, it will change to BUZZER automatically.
- If a power interruption occurs while the alarm is sounding, the alarm will stop.
- If **OFF · ALARM RESET** is not pressed, the alarm will sound for about 5 minutes.
- If “” appears in the display, the alarm will not sound in the event of power interruption. Replace the battery if “” appears.
- The snooze function will not work.
- During a power interruption, the alarm will sound at the set time only once.

Setting the sleep timer

You can fall asleep to “NATURE SOUND,” “RADIO,” or “AUDIO IN” using the built-in sleep timer that turns off “NATURE SOUND,” “RADIO,” or “AUDIO IN” automatically after a preset duration.

- 1 Press **SLEEP** while the unit is turned on. “SLEEP” appears and the sleep time flashes in the display.
- 2 Press **SLEEP** to set the sleep timer duration. Each time you press **SLEEP**, the duration (in minutes) changes as follows:

The display returns to clock mode (and the sleep timer starts) approximately 4 seconds after the duration is set and the **SLEEP** button is released.

Note

Even if the sleep timer is set, it cannot turn off the power of optional components connected to the **AUDIO IN** jack of this player.

To turn off the unit before the preset time

Press **OFF · ALARM RESET**.

To change the sleep timer setting

You can press **SLEEP** repeatedly to select the desired sleep timer setting even after the sleep timer has been activated.

To deactivate the sleep timer

Press **SLEEP** repeatedly to set the sleep timer to “OFF” in step 2.

Using the temperature function

This unit includes an external temperature sensor, allowing you to monitor ambient temperature.

The temperature is displayed in Fahrenheit or Centigrade.

To switch between Fahrenheit and Centigrade, press and hold the **SNOOZE / BRIGHTNESS** and **DATE/TIME ZONE** buttons for more than 2 seconds.

Notes

- In the example, the display shows Fahrenheit; however, Centigrade can also be displayed.
- Do not use in water.
- Do not forcefully pull on the external temperature sensor. Improper use of the external temperature sensor may cause a malfunction.
- Do not place the temperature sensor near the floor, a heat source such as a radiator or air duct, or in a place subject to direct sunlight.
- The display temperature and actual temperature may differ depending on the usage environment.
- The operating temperature range is 5 °F (-15 °C) to 122 °F (50 °C). If the temperature is lower than 5 °F (-15 °C) or higher than 122 °F (50 °C), the “Lo” or “Hi” indicator appears.
- When plugging in the unit or recovering from a power interruption, the temperature display of this unit will flash “-.” The temperature will be displayed after 20 seconds.

Connecting external component (See fig. **C**)

To listen to sound

- 1 Connect the built-in audio cable with the stereo mini plug on the bottom of the unit to the line output jack or headphones jack on the optional component (e.g., portable music player).
- 2 Press **AUDIO IN**. “AUDIO IN” appears in the display.
- 3 Play the optional component connected to the unit’s built-in audio cable.
- 4 Adjust the volume using **VOL +** or **-** and the connected component’s volume.

To return to the radio

Press **RADIO · BAND**.

The frequency is shown in the display.

To stop listening

Press **OFF · ALARM RESET**, and stop playback on the connected unit.

To turn off the sound from the optional component

Press **OFF · ALARM RESET**, and then turn off the optional component.

Notes

- Refer also to the connected component’s manual.
- Connect the audio cable firmly to prevent a malfunction.
- Keep digital music players away from the speaker.
- If you increase the volume too much, loud sound may occur when switching to the radio.
- Confirm the volume setting of the external component before removing the AUDIO IN cable. High volume may damage your hearing, particularly if using headphones with the external component.
- AUDIO IN cannot be set for the alarm sound.
- When you listen to the radio with external component connected, turn off the connected component to prevent noise. If noise occurs, even when the component is turned off, disconnect and place the external component away from the unit.

Free Manuals Download Website

<http://myh66.com>

<http://usermanuals.us>

<http://www.somanuals.com>

<http://www.4manuals.cc>

<http://www.manual-lib.com>

<http://www.404manual.com>

<http://www.luxmanual.com>

<http://aubethermostatmanual.com>

Golf course search by state

<http://golfingnear.com>

Email search by domain

<http://emailbydomain.com>

Auto manuals search

<http://auto.somanuals.com>

TV manuals search

<http://tv.somanuals.com>