

Personal Audio System

Reference Guide
Guía de referencia (reverso)



AUTO TIME SET



©2013 Sony Corporation Printed in China
http://www.sony.net/

ICF-C11IP

English

Before operating the system, please read this guide thoroughly and retain it for future reference.

Owner's Record

The model number and the serial number are located on the bottom. Record the serial number in the space provided below. Refer to them whenever you call upon your Sony dealer regarding this product.

Model No. ICF-C11IP

Serial No.

For customers in the USA
To register this product on line at <http://www.sony.com/ipodregistration> Proper registration will enable us to send you periodic updates about new product services, and occasional important announcements. Registering your product allows us to contact you in the event that the product needs adjustment or modification. Thank you.

WARNING

To reduce the risk of fire or electric shock, do not expose this apparatus to rain or moisture.

To reduce the risk of fire, do not cover the ventilation of the apparatus with newspapers, tablecloths, curtains, etc. And do not place night candles on the apparatus.

To reduce the risk of fire or electric shock, do not expose this apparatus to dripping or splashing, and do not place objects filled with liquids, such as vases, on the apparatus.

Do not install the appliance in a confined space, such as a bookcase or built-in cabinet.

Do not expose the batteries (battery pack or batteries installed) to excessive heat such as sunshine, fire or a hot fire for a long time.

As the main plug of AC adaptor is used to disconnect the AC adaptor from the mains, connect it to an easily accessible AC outlet. Should you notice an abnormality in it, disconnect it from the AC outlet immediately.

The nameplate and important information concerning safety are located on the bottom exterior of the main unit and on the surface of the AC adaptor.

You are cautioned that any changes or modifications not expressly approved in this manual could void your authority to operate this equipment.

CAUTION

Danger of explosion if battery is incorrectly replaced. Replace only with the same type.

NOTE

This equipment has been tested and found to comply with the limits for a Class B digital device, pursuant to Part 15 of the FCC Rules. These limits are designed to provide reasonable protection against harmful interference in a residential installation. This equipment generates, uses and can radiate radio frequency energy and, if not installed and used in accordance with the instructions, may cause harmful interference to radio communications. However, there is no guarantee that interference will not occur in a particular installation. If this equipment does cause harmful interference to radio or television reception, which can be determined by turning the equipment off and on, the user is encouraged to try to correct the interference by one or more of the following measures:

- Reorient or relocate the receiving antenna.
- Increase the separation between the equipment and receiver.
- Connect the equipment into an outlet on a circuit different from that which the receiver is connected.
- Consult the dealer or an experienced radio/TV technician for help.

WARNING

Replace the battery for the clock backup with a Sony CR2032 lithium battery, and the battery for the remote control with a Sony CR2025 lithium battery. Use of another battery may present a risk of fire or explosion.

Disassemble or dispose of in accordance with local laws and regulations. Do not recharge, disassemble or dispose of in fire.

Dispose of used battery properly, according to local environmental laws and guidelines in force. Keep away from children.

Important Safety Instructions

- 1) Read these instructions.
- 2) Keep these instructions.
- 3) Heed all warnings.
- 4) Follow all instructions.
- 5) Do not use this apparatus near water.
- 6) Clean only with dry cloth.
- 7) Do not block any ventilation openings. Install in accordance with the manufacturer's instructions.
- 8) Do not install near any heat sources such as radiators, heat registers, stoves, or other apparatus (including amplifiers) that produce heat during operation.
- 9) Do not defeat the safety purpose of the polarized or grounding-type plug. A polarized plug has two blades with one wider than the other. A grounding type plug has two blades and a third grounding prong. The wide blade or the third prong are provided for your safety. If the provided plug does not fit into your outlet, consult an electrician for replacement of the obsolete outlet.
- 10) Protect the power cord from being walked on or pinched particularly at plugs, connections, and the point where they exit from the apparatus.
- 11) Only use attachments/accessories specified by the manufacturer.
- 12) Use only with the cart, stand, tripod, bracket, or table specified by the manufacturer, or sold with the apparatus. When a cart is used, use caution when moving the cart/apparatus combination to avoid injury from tip-over.
- 13) Unplug this apparatus during lightning storms or when unused for long periods of time.
- 14) Refer all servicing to qualified service personnel. Servicing is required when the apparatus has been damaged in any way, such as power-supply cord or plug is damaged, liquid has been spilled or objects have fallen into the apparatus, the apparatus has been exposed to rain or moisture, does not operate normally, or has been dropped.

For the state of California USA only

Perchlorate Material—special handling may apply. See www.dtsc.ca.gov/hazardouswaste/perchlorate

Perchlorate Material: Lithium battery contains perchlorate

On copyrights

Apple, iPod, iPod nano, and iPod touch are trademarks of Apple Inc., registered in the U.S. and other countries. Lightning is a trademark of Apple Inc.

"Made for iPod" and "Made for iPhone" mean that an electronic accessory has been designed to connect specifically to iPod or iPhone, respectively, and has been certified by the developer to meet Apple performance standards. Apple is not responsible for the operation of this device or its compliance with safety and regulatory standards. Please note that the use of this accessory with iPod or iPhone may affect wireless performance.

No Power No Problem is a trademark of Sony Corporation. Auto Time Set is a trademark of Sony Corporation.

When to replace the battery

With normal use, the battery (CR2025) should last for about 6 months. When the remote can no longer operate the unit, replace the battery with a new one.

Remote control

Before using the supplied remote for the first time, remove the insulation film.

When to replace the battery

With normal use, the battery (CR2025) should last for about 6 months. When the remote can no longer operate the unit, replace the battery with a new one.

For the state of California USA only

Perchlorate Material—special handling may apply. See www.dtsc.ca.gov/hazardouswaste/perchlorate

Perchlorate Material: Lithium battery contains perchlorate

On copyrights

Apple, iPod, iPod nano, and iPod touch are trademarks of Apple Inc., registered in the U.S. and other countries. Lightning is a trademark of Apple Inc.

"Made for iPod" and "Made for iPhone" mean that an electronic accessory has been designed to connect specifically to iPod or iPhone, respectively, and has been certified by the developer to meet Apple performance standards. Apple is not responsible for the operation of this device or its compliance with safety and regulatory standards. Please note that the use of this accessory with iPod or iPhone may affect wireless performance.

No Power No Problem is a trademark of Sony Corporation. Auto Time Set is a trademark of Sony Corporation.

Notes

- This unit is not specified for use with an iPad, and malfunction may result if used with one.

- In the Reference Guide, "iPhone" is used as a general reference to functions on an iPod or iPhone, unless otherwise specified by the text or illustrations.

Precautions

- To disconnect AC power, grasp the plug itself, not the cord.

- Since a strong magnet is used for the speaker, keep credit cards using magnetic coding or spring-wound watches, CRT-based TVs, or projectors, etc., away from the unit to prevent possible damage from the magnet.

- Do not leave the unit in a location near a heat source such as a radiator or air duct, or in a place subject to direct sunlight, excessive dust, mechanical vibration, or shock.

- Allow adequate air circulation to prevent internal heat build-up. Do not place the unit on a surface (a rug, a blanket, etc.) or near materials (a curtain) which might block the ventilation holes.

- Should any solid object or liquid fall into the unit, unplug the unit and have it checked by qualified personnel before operating it any further.

- During a thunderstorm, do not touch the antenna (aerial) and plug.

- Do not touch the unit with wet hands.

- Do not place the unit anywhere near water.

Notes on the AC adaptor

- Use only the supplied AC adaptor. To avoid damaging the system, do not use any other AC adaptor.

NOTES ON LITHIUM BATTERY

- Wipe the battery with a dry cloth to assure a good contact.
- Be sure to observe the correct polarity when installing the battery.
- Do not hold the battery with metallic tweezers, otherwise a short-circuit may occur.

If you have any questions or problems concerning your unit, please consult your nearest Sony dealer.

Getting started

Connecting to an AC power source

Connect the AC adaptor (supplied) to the DC IN 6V jack on the rear of this unit firmly and plug it into a wall outlet.

When to replace the battery

When the battery becomes weak, "CO" appears in the display. If a power interruption occurs while the battery is weak, the current time and alarm will be erased.

Replace the battery with a Sony CR2032 lithium battery. Use of another battery may cause a fire or explosion. To replace the battery, see "Replacing the battery of the unit" for details.

Notes

- Do not twist or place heavy objects on the AC adaptor cord.
- To disconnect AC power, grasp the plug itself, not the cord.

About the battery as a backup power source

This unit contains a CR2032 battery as a backup power source to keep the clock and the alarm operating during a power interruption. (No Power No Problem system)

When to replace the battery

When the battery becomes weak, "CO" appears in the display. If a power interruption occurs while the battery is weak, the current time and alarm will be erased.

Replace the battery with a Sony CR2032 lithium battery. Use of another battery may cause a fire or explosion. To replace the battery, see "Replacing the battery of the unit" for details.

CAUTION

Danger of explosion if battery is incorrectly replaced. Replace only with the same type.

NOTE

This equipment has been tested and found to comply with the limits for a Class B digital device, pursuant to Part 15 of the FCC Rules. These limits are designed to provide reasonable protection against harmful interference in a residential installation. This equipment generates, uses and can radiate radio frequency energy and, if not installed and used in accordance with the instructions, may cause harmful interference to radio communications. However, there is no guarantee that interference will not occur in a particular installation. If this equipment does cause harmful interference to radio or television reception, which can be determined by turning the equipment off and on, the user is encouraged to try to correct the interference by one or more of the following measures:

- Reorient or relocate the receiving antenna.
- Increase the separation between the equipment and receiver.
- Connect the equipment into an outlet on a circuit different from that which the receiver is connected.
- Consult the dealer or an experienced radio/TV technician for help.

Connecting the AM loop antenna

The shape and length of the antenna is designed to receive AM signals. Do not dismantle or roll up the antenna.

When to replace the battery

When the battery becomes weak, "CO" appears in the display. If a power interruption occurs while the battery is weak, the current time and alarm will be erased.

Replace the battery with a Sony CR2032 lithium battery. Use of another battery may cause a fire or explosion. To replace the battery, see "Replacing the battery of the unit" for details.

Important Safety Instructions

- 1) Read these instructions.
- 2) Keep these instructions.
- 3) Heed all warnings.
- 4) Follow all instructions.
- 5) Do not use this apparatus near water.
- 6) Clean only with dry cloth.
- 7) Do not block any ventilation openings. Install in accordance with the manufacturer's instructions.
- 8) Do not install near any heat sources such as radiators, heat registers, stoves, or other apparatus (including amplifiers) that produce heat during operation.
- 9) Do not defeat the safety purpose of the polarized or grounding-type plug. A polarized plug has two blades with one wider than the other. A grounding type plug has two blades and a third grounding prong. The wide blade or the third prong are provided for your safety. If the provided plug does not fit into your outlet, consult an electrician for replacement of the obsolete outlet.
- 10) Protect the power cord from being walked on or pinched particularly at plugs, connections, and the point where they exit from the apparatus.
- 11) Only use attachments/accessories specified by the manufacturer.
- 12) Use only with the cart, stand, tripod, bracket, or table specified by the manufacturer, or sold with the apparatus. When a cart is used, use caution when moving the cart/apparatus combination to avoid injury from tip-over.
- 13) Unplug this apparatus during lightning storms or when unused for long periods of time.
- 14) Refer all servicing to qualified service personnel. Servicing is required when the apparatus has been damaged in any way, such as power-supply cord or plug is damaged, liquid has been spilled or objects have fallen into the apparatus, the apparatus has been exposed to rain or moisture, does not operate normally, or has been dropped.

For the state of California USA only

Perchlorate Material—special handling may apply. See www.dtsc.ca.gov/hazardouswaste/perchlorate

Perchlorate Material: Lithium battery contains perchlorate

On copyrights

Apple, iPod, iPod nano, and iPod touch are trademarks of Apple Inc., registered in the U.S. and other countries. Lightning is a trademark of Apple Inc.

"Made for iPod" and "Made for iPhone" mean that an electronic accessory has been designed to connect specifically to iPod or iPhone, respectively, and has been certified by the developer to meet Apple performance standards. Apple is not responsible for the operation of this device or its compliance with safety and regulatory standards. Please note that the use of this accessory with iPod or iPhone may affect wireless performance.

No Power No Problem is a trademark of Sony Corporation. Auto Time Set is a trademark of Sony Corporation.

When to replace the battery

With normal use, the battery (CR2025) should last for about 6 months. When the remote can no longer operate the unit, replace the battery with a new one.

Remote control

Before using the supplied remote for the first time, remove the insulation film.

When to replace the battery

With normal use, the battery (CR2025) should last for about 6 months. When the remote can no longer operate the unit, replace the battery with a new one.

For the state of California USA only

Perchlorate Material—special handling may apply. See www.dtsc.ca.gov/hazardouswaste/perchlorate

Perchlorate Material: Lithium battery contains perchlorate

On copyrights

Apple, iPod, iPod nano, and iPod touch are trademarks of Apple Inc., registered in the U.S. and other countries. Lightning is a trademark of Apple Inc.

"Made for iPod" and "Made for iPhone" mean that an electronic accessory has been designed to connect specifically to iPod or iPhone, respectively, and has been certified by the developer to meet Apple performance standards. Apple is not responsible for the operation of this device or its compliance with safety and regulatory standards. Please note that the use of this accessory with iPod or iPhone may affect wireless performance.

No Power No Problem is a trademark of Sony Corporation. Auto Time Set is a trademark of Sony Corporation.

Notes

- This unit is not specified for use with an iPad, and malfunction may result if used with one.

- In the Reference Guide, "iPhone" is used as a general reference to functions on an iPod or iPhone, unless otherwise specified by the text or illustrations.

Precautions

- To disconnect AC power, grasp the plug itself, not the cord.

- Since a strong magnet is used for the speaker, keep credit cards using magnetic coding or spring-wound watches, CRT-based TVs, or projectors, etc., away from the unit to prevent possible damage from the magnet.

- Do not leave the unit in a location near a heat source such as a radiator or air duct, or in a place subject to direct sunlight, excessive dust, mechanical vibration, or shock.

- Allow adequate air circulation to prevent internal heat build-up. Do not place the unit on a surface (a rug, a blanket, etc.) or near materials (a curtain) which might block the ventilation holes.

- Should any solid object or liquid fall into the unit, unplug the unit and have it checked by qualified personnel before operating it any further.

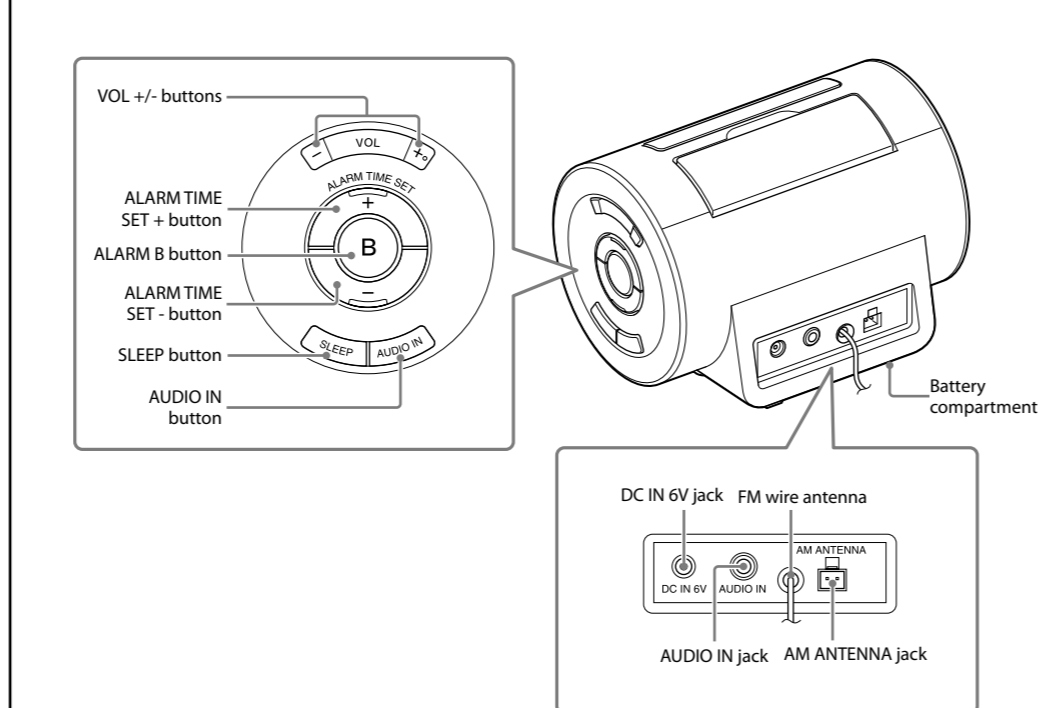
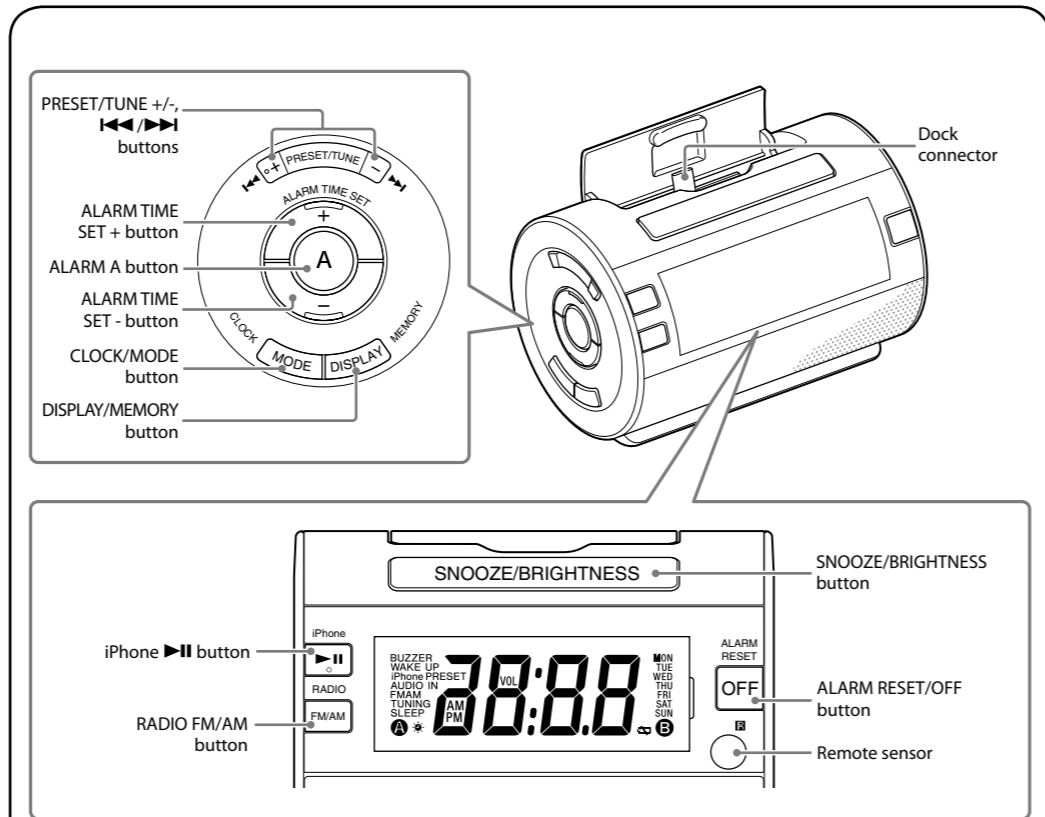
- During a thunderstorm, do not touch the antenna (aerial) and plug.

- Do not touch the unit with wet hands.

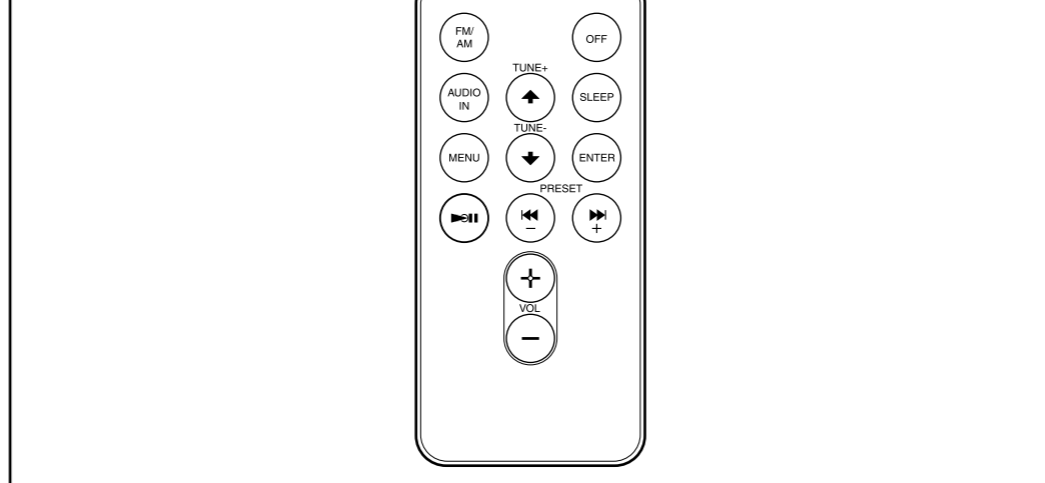
- Do not place the unit anywhere near water.

Notes on the AC adaptor

- Use only the supplied AC adaptor. To avoid damaging the system, do not use any other AC adaptor.



The VOL +, PRESET/TUNE +/-, and iPHONE buttons have a tactile dot.



The VOL + and iPHONE buttons have a tactile dot.

Operating an iPhone

Manual tuning

1 Press FM/AM to turn on the radio.
2 Press FM/AM repeatedly to select the desired band.

Each time you press the button, the radio band toggles between AM and FM as follows:

3 Press CLOCK/MODE repeatedly to select "TUNING".
When using the remote to operate the unit, you can skip this step, and directly operate step 4.

4 Press TUNE + or - repeatedly to tune to the desired station.

5 Adjust the volume using VOL + or -.
To turn off the radio, press OFF.

Scan tuning

The unit automatically scans for AM or FM stations.

1 Follow steps 1 to 3 in "Manual tuning" and press hold TUNE + or -.

2 Press and hold TUNE + or -.

3 Adjust the volume using VOL + or -.

Presets

You can preset up to 20 FM stations and 10 AM stations.

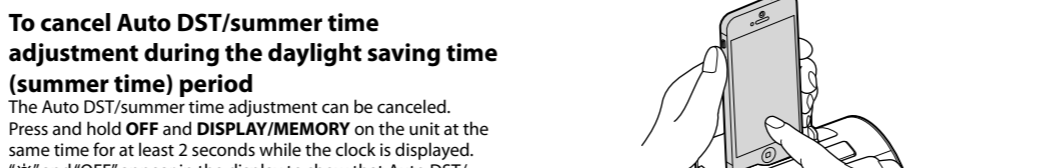
To preset a station

1 Follow steps 1 to 5 in "Manual tuning" and manually tune into the station you wish to preset.

2 Press and hold DISPLAY/MEMORY for at least 2 seconds.

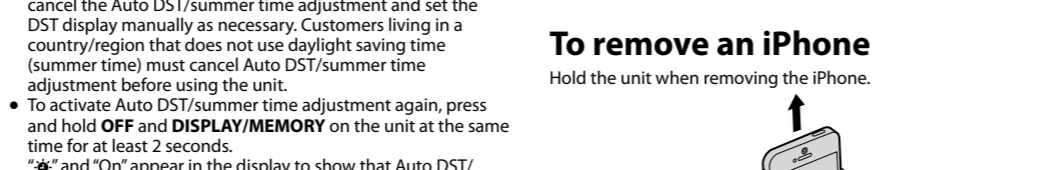
3 Press PRESET + or - to select the preset number, then press DISPLAY/MEMORY.

Example: The following displays appear when you preset FM 89.8 MHz to preset number 2 for FM.



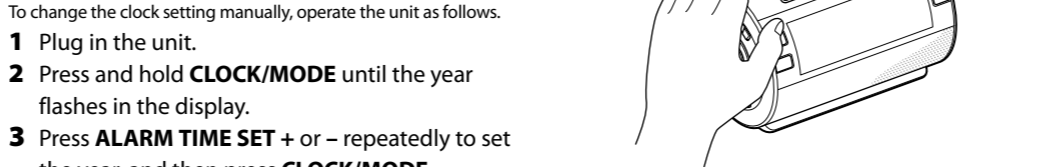
When an iPhone is difficult to set

Push the Dock cover slightly backwards while setting the iPhone.



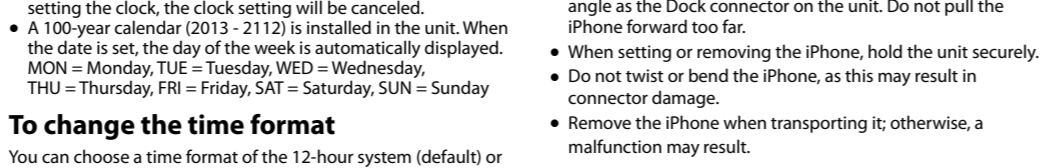
Note on operating an iPhone

Hold the iPhone when you are operating it.



To remove an iPhone

Hold the unit when removing the iPhone.



To charge an iPhone

You can use the unit as a battery charger for an iPhone. Charging begins when the iPhone is connected to the unit. The charging status appears in the display of the iPhone. For details, refer to the user's guide of the iPhone.

Operating an iPhone

1 Set the iPhone on the Dock connector. The Dock connector can be tilted slightly. For details, see "Using an iPhone with the unit."

2 Press iPHONE. "iPhone" appears in the display. The iPhone begins to play back. If the iPhone does not start playing back, operate directly on the iPhone.

3 Adjust the volume using VOL + or -.

To operate from a remote control

Aim the remote at the i (Remote sensor) of the unit.

▶▶ (Play/Pause)
• Start playing the iPhone. Press again to pause/resume playback.

▶▶ (Forward)
• Go to the next track.
• Press and hold while listening to the sound to locate a desired point.

◀◀ (Backward)
• Go back to the previous track. During playback, this operation returns to the beginning of the current track. To go back to the previous track, press twice.

▶▶ (Play/Pause)
• Start playing the iPhone. Press again to pause/resume playback.

▶▶ (Forward)
• Go to the next track.
• Press and hold while listening to the sound to locate a desired point.

◀◀ (Backward)
• Go back to the previous track. During playback, this operation returns to the beginning of the current track. To go back to the previous track, press twice.

▶▶ (Play/Pause)
• Start playing the iPhone. Press again to pause/resume playback.

▶▶ (Forward)
• Go to the next track.
• Press and hold while listening to the sound to locate a desired point.

◀◀ (Backward)
• Go back to the previous track. During playback, this operation returns to the beginning of the current track. To go back to the previous track, press twice.

▶▶ (Play/Pause)
• Start playing the iPhone. Press again to pause/resume playback.

Notes

- If a pop-up message appears in the display of the iPod touch or iPhone, see "About App."
- Some operations may differ or may not be available on some models of iPhone.
- If the iPhone is already playing when set on the unit, the sound from the iPhone will be output from the unit speaker, even if the unit was playing sound from another function.
- If the battery of the iPhone is extremely low, charge it for a while before operating.
- Sony cannot accept responsibility in the event that data recorded to an iPhone is lost or damaged when using the iPhone connected to this unit.
- For details of environmental conditions for operating an iPhone, check the website of Apple Inc.

Operating the radio

Manual tuning

1 Press FM/AM to turn on the radio.
2 Press FM/AM repeatedly to select the desired band.

Free Manuals Download Website

<http://myh66.com>

<http://usermanuals.us>

<http://www.somanuals.com>

<http://www.4manuals.cc>

<http://www.manual-lib.com>

<http://www.404manual.com>

<http://www.luxmanual.com>

<http://aubethermostatmanual.com>

Golf course search by state

<http://golfingnear.com>

Email search by domain

<http://emailbydomain.com>

Auto manuals search

<http://auto.somanuals.com>

TV manuals search

<http://tv.somanuals.com>