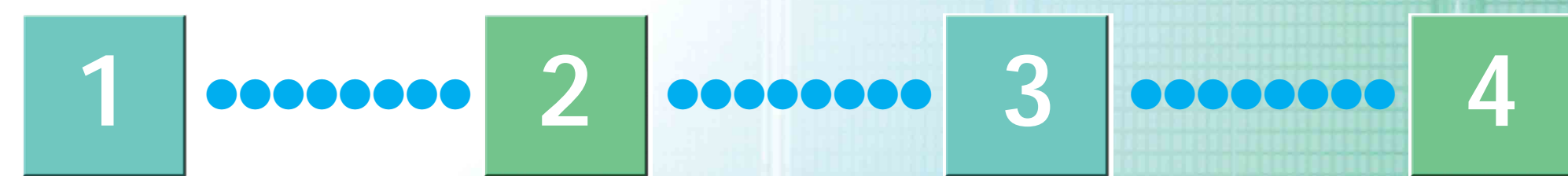


KLTV-32M1 Quick Setup Guide

Please follow the steps to setup your TV:



- 1 Checking the Supplied Accessories
- 2 Connecting Your TV (See reverse side)
- 3 Running Initial Setup
- 4 Programming the Remote Control

If your product is not working properly **DO NOT RETURN TO THE STORE.**
 For service and technical assistance
 Call our Customer Information Service Center (Toll Free):
 1-800-222-SONY (7669) for US residents.
 1-877-899-SONY (7669) for Canadian residents.

Sony Corporation © 2004 Printed in Japan

Making Video Connections

Your TV includes several types of video inputs. Use the inputs that are available on your components that provide the best video performance, as described below.

	Connector type
	HDMI (High-Definition Multimedia Interface)
	Component video
	S VIDEO
	Composite video
	RF/Coaxial

Additional Connections

For best audio performance, connect your digital audio components using either digital optical or digital coaxial audio connections. Depending on which components are in your system, you may need to complete additional connections. For example, if you have a satellite receiver, you'll need to connect the satellite antenna. If you have an AV receiver, you'll need to connect speakers.

Note
 The connection diagrams shown in the reverse side are recommendations only; other possible solutions may exist. Connections that include an AV receiver can often be very complex, so check your AV receiver's instruction manual for additional details.

4 Programming the Remote Control

The remote control is preset to operate Sony brand video equipment.

Sony Equipment	Programmable Code Number
DVD/VCR	601 (Sony Dream System)
SAT/Cable	801 (Sony Satellite Receiver)

If you have video equipment other than Sony brand that you want to control with the TV's remote control, use the following procedures to program the remote control.

Note
 The equipment must have infrared (IR) remote capability in order to be used with this remote control.

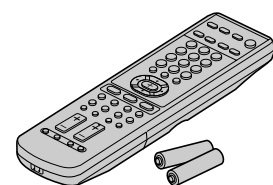
Using the code list below, find the three-digit code number for the manufacturer of your equipment. (If more than one code number is listed, use the number listed first.)

- Press the DVD/VCR (FUNCTION) and RESET buttons simultaneously, or press the SAT/CABLE (FUNCTION) and RESET buttons simultaneously. DVD/VCR and SAT/CABLE buttons flash.
- Press the function button you want to program. **To program a cable box or a satellite receiver** Press SAT/CABLE (FUNCTION). **To program video equipment** Press DVD/VCR (FUNCTION).
- Enter the three-digit manufacturer's code number using the 0-9 buttons.
- Press ENT (enter).
- To check if the code number works, aim the TV's remote control at the equipment and press DVD/VCR and/or SAT/CABLE (POWER) that corresponds with that equipment. If it responds, the programming is completed. If not, try using the other codes listed for that manufacturer.

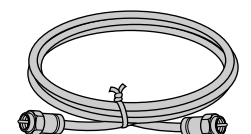
- Tips**
- If more than one code number is listed, try entering them one by one until you come to the correct code for your equipment.
 - If you enter a new code number, the code number you previously entered at that setting is erased.

1 Checking the Supplied Accessories

- Remote control (RM-Y1107) (1) and size AA batteries (2)



- 75-ohm coaxial cable (1)



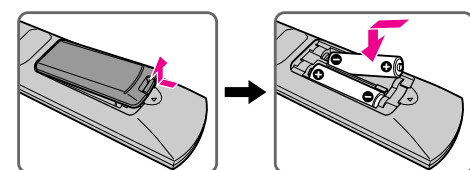
- AC power cord (1)



- Clamp screws (2)
- Operating Instructions (1)
- Quick Setup Guide (1)
- Warranty Card (1)

Inserting Batteries into the Remote Control

Insert two size AA batteries (supplied) by matching the + and - on the batteries to the diagram inside the remote control's battery compartment.



2 Connecting Your TV

Review the following chart to determine which diagram to use to connect the components in your system:

For these components	See reverse side
Cable/Antenna OR Satellite Receiver	A
Cable/Antenna OR Satellite Receiver	B
Cable/Antenna OR Satellite Receiver	C
Cable/Antenna OR Satellite Receiver	D
Cable/Antenna OR Satellite Receiver	E
Cable/Antenna OR Satellite Receiver	F

- See the "Cables Required" chart that appears with the diagram to determine which cables you'll need. You may need to purchase extra accessories, such as cables and splitters, depending on the components you plan to connect.
- Turn off and unplug all components before making connections.
- If you are connecting a digital cable box, you'll need a special bi-directional splitter that's compatible with your cable box. Contact your cable provider for details.

3 Running Initial Setup

- Press ⏻ (Power) on the TV. The Auto Setup menu automatically appears on the screen when you turn on the TV for the first time.
- Press CH+ on the remote control or on the drop-down panel of your TV to perform Auto Program. To open the drop-down panel of your TV, push up the panel door just under the "▲ PUSH-OPEN" mark until you hear a click, then the panel door will open. When all the receivable channels are stored, the "Channel Skip/Add" menu appears.

Auto Program is set to scan cable TV channels by default. To watch VHF/UHF channels with an antenna, see "To watch VHF/UHF channels with an antenna" in the operating instructions.

If you need to perform Auto Program again

- Press MENU.
 - Press ⬆/⬇ to select (Channel), then press (+).
 - Press ⬆/⬇ to select "Auto Program," then press (⏻).
 - Press (+).
- "Auto Program" appears and the TV starts scanning and presetting channels automatically. When all the receivable channels are stored, the "Channel Skip/Add" menu appears. Using this menu, you can start skipping unwanted channels (see "To skip channels" in the operating instructions).
- Press MENU to exit the menu screen.

Manufacturer's Codes

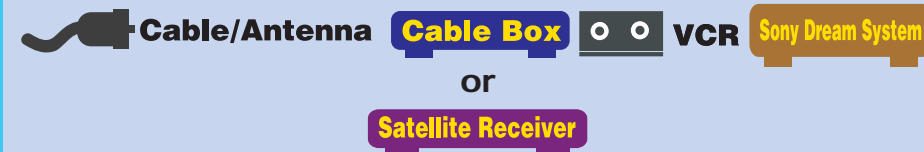
Manufacturer	Code
DVD Players	
Aiwa*	338, 344
Audio Dynamic	314, 337
Broksonic	319, 317
Sony	751
General Electric	755
Citizen	332
Hitachi	758
JVC	304, 338, 309
Magnavox	341, 312, 309
Mitsubishi	314, 336, 337
Panasonic	753
Philips	319, 320, 316, 317, 318, 341
Pioneer	752
RCA/PROSCAN	755
Samsung	758
Toshiba	754
Zenith	322, 339, 340
DVD Changers	
Goldstar	332
Hitachi	306, 304, 305, 338
Instant Replay	309, 308
JC Penney	309, 305, 304, 330, 314, 336, 337
Sony	765
Panasonic	766
DVD/VCR Combo Units	
Manufacturer	Code
Sony	767
Zenith	768
Toshiba	773
Samsung	774
JVC	775
Broksonic	776
Panasonic	777
HDD/DVD Combo Units	
Manufacturer	Code
Sony	770, 771, 772
5.1ch DVD AV System	
Manufacturer	Code
Sony (DAV)	601, 602, 603, 604
AV Receivers	
Manufacturer	Code
Sony	764
VCRs	
Manufacturer	Code
Sony	301, 302, 303
Admiral (M. Ward)	327

Manufacturer	Code
Manufacturer Code	
Scott	312, 313, 321, 335, 323, 324, 325, 326
Sharp	327, 328
Signature 2000 (M.Ward)	338, 327
SV 2000	338
Sylvania	308, 309, 338, 310
Symphonic	338
Tashiro	332
Tatung	314, 336, 337
Teac	314, 336, 338, 337
Technics	309, 308
Toshiba	312, 311
Wards	327, 328, 335, 331, 332
Yamaha	314, 330, 336, 337
Zenith	331
Cable Boxes	
Manufacturer	Code
Sony	230
Hamlin/Regal	222, 223, 224, 225, 226
Jerrold, G.I.	201, 202, 203, 204, 205, 206, 207, 208, 218, 222
Oak	227, 228, 229
Panasonic	219, 220, 221
Pioneer	214, 215
Scientific Atlanta	209, 210, 211
Tocom	216, 217
Zenith	212, 213
Satellite Receivers	
Manufacturer	Code
Sony	801
Dish Network	810
EchoStar	810
General Electric	802
Hitachi	805
Hughes	804
Mitsubishi	809
Panasonic	803
RCA/PROSCAN	802, 808
Toshiba	806, 807
Manufacturer Code	
Realistic	309, 330, 328, 335, 324, 338
Sansui	314
Samsung	322, 313, 321
Sanyo	330, 335

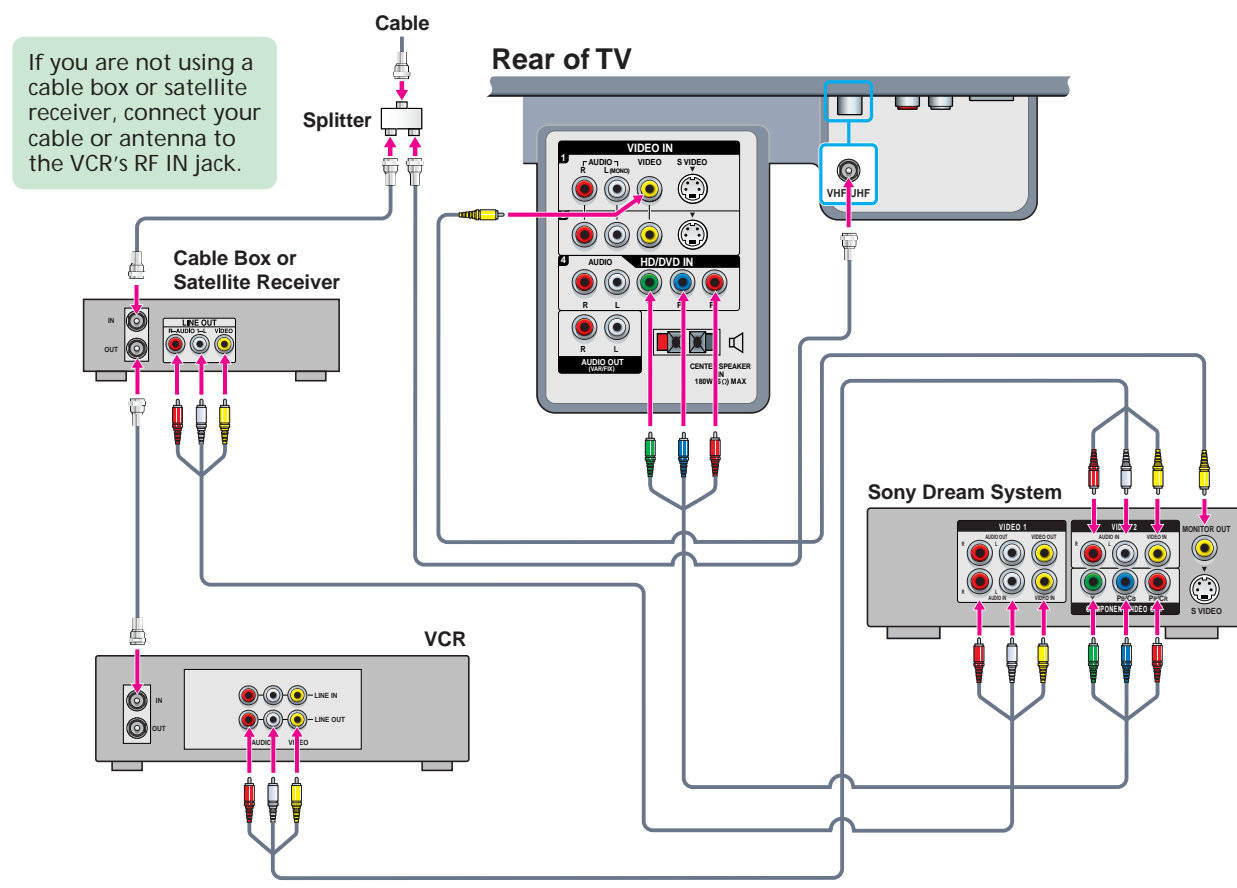
* If an Aiwa VCR does not work even though you enter the code for Aiwa, enter the code for Sony instead.

A

Use this diagram if you have;

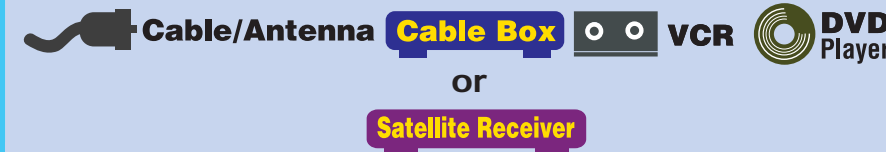


Cables Required	
Splitter	1
Coaxial	4
Composite	2
Composite (without Audio)	1
Component	1

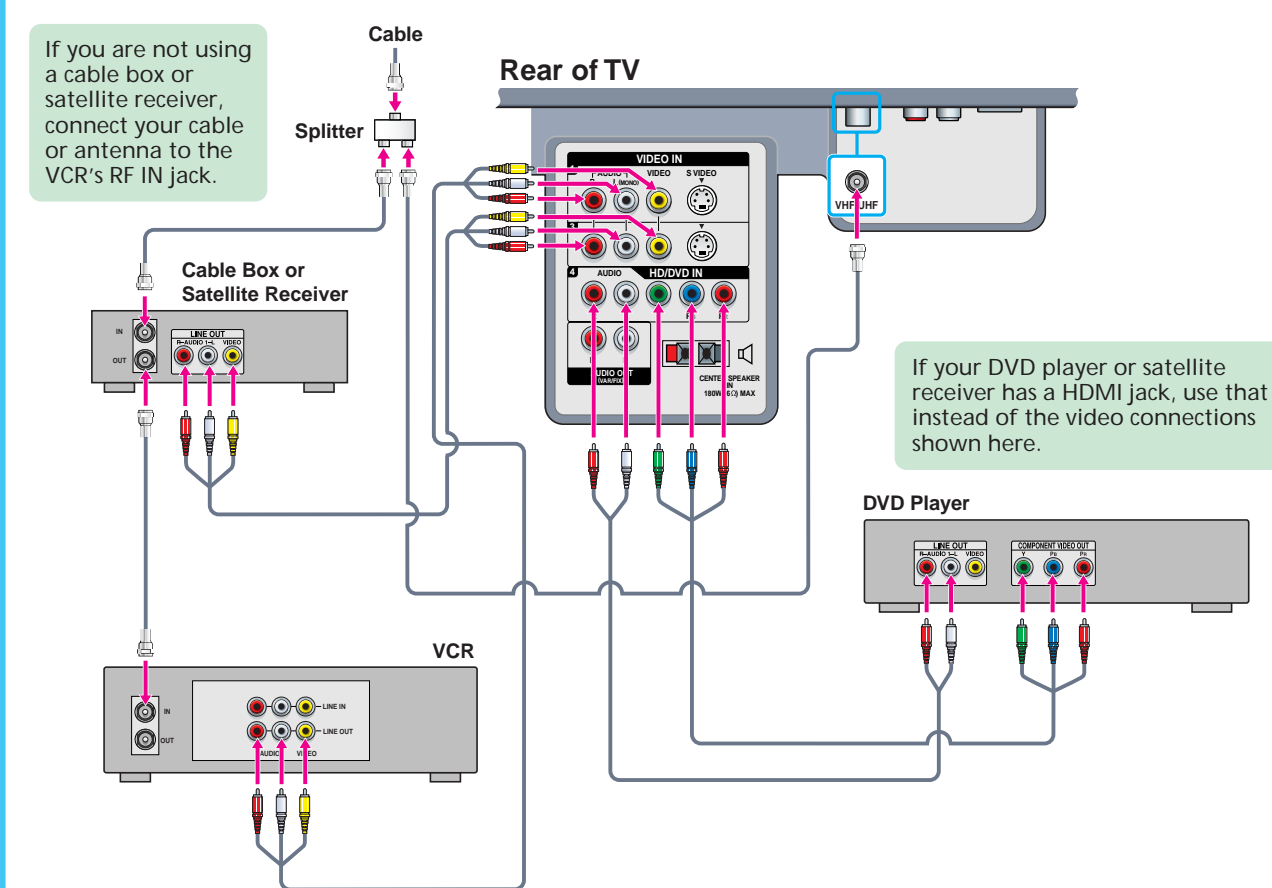


B

Use this diagram if you have;



Cables Required	
Splitter	1
Coaxial	4
Composite	2
Component	1
Audio	1

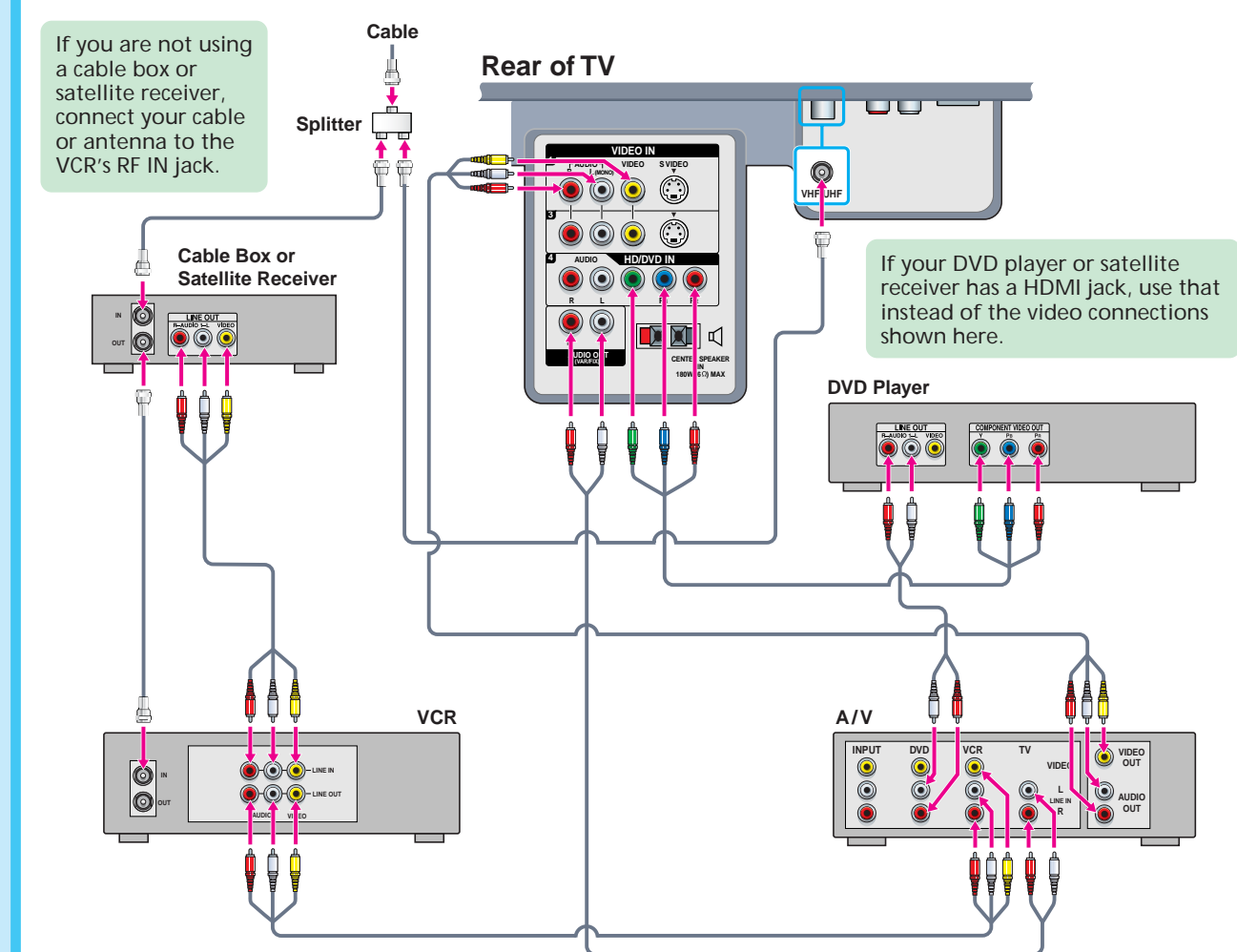


C

Use this diagram if you have;



Cables Required	
Splitter	1
Coaxial	4
Composite	3
Component	1
Audio	2

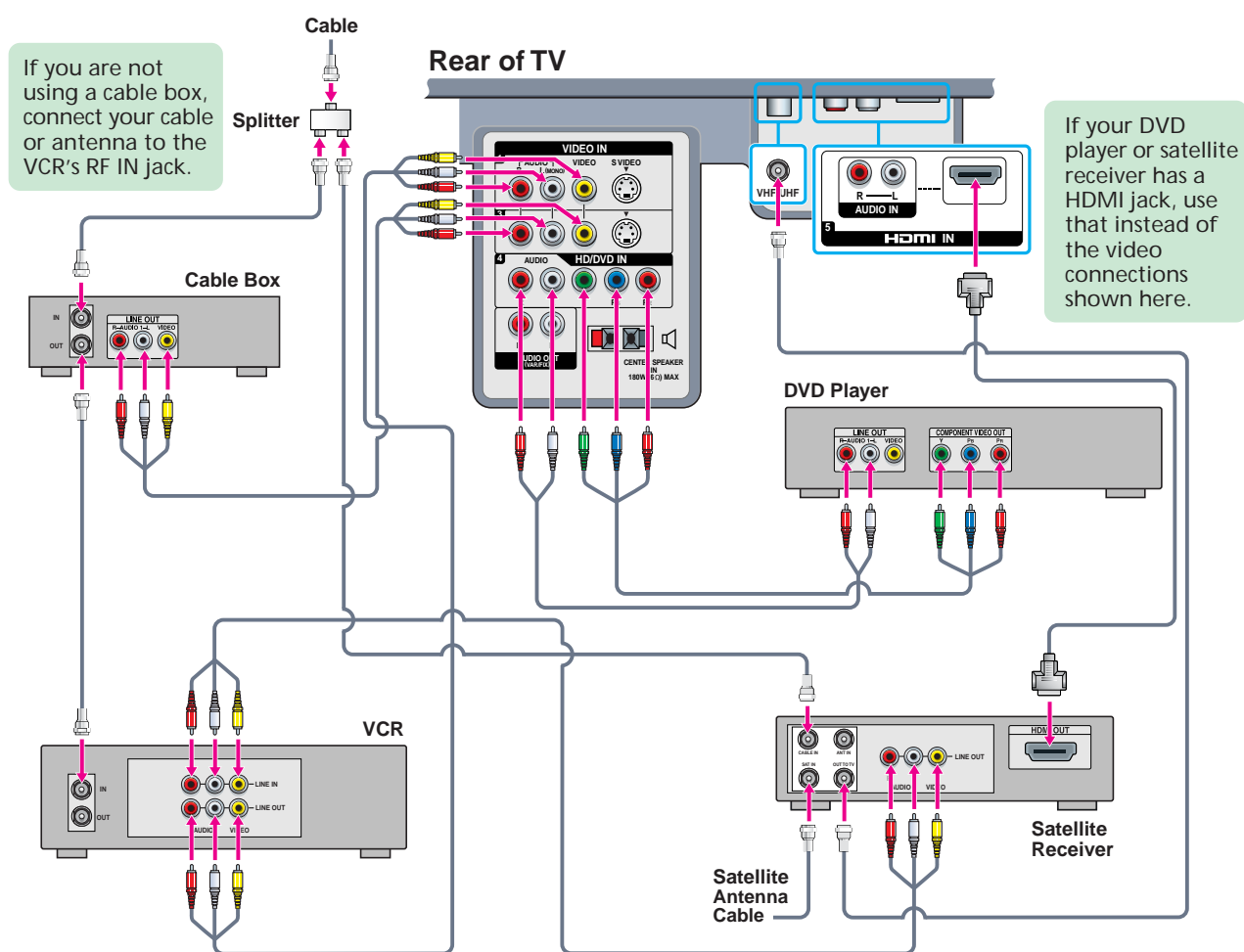


D

Use this diagram if you have;



Cables Required	
Splitter	1
Coaxial	6
Composite	3
Component	1
HDMI	1
Audio	1

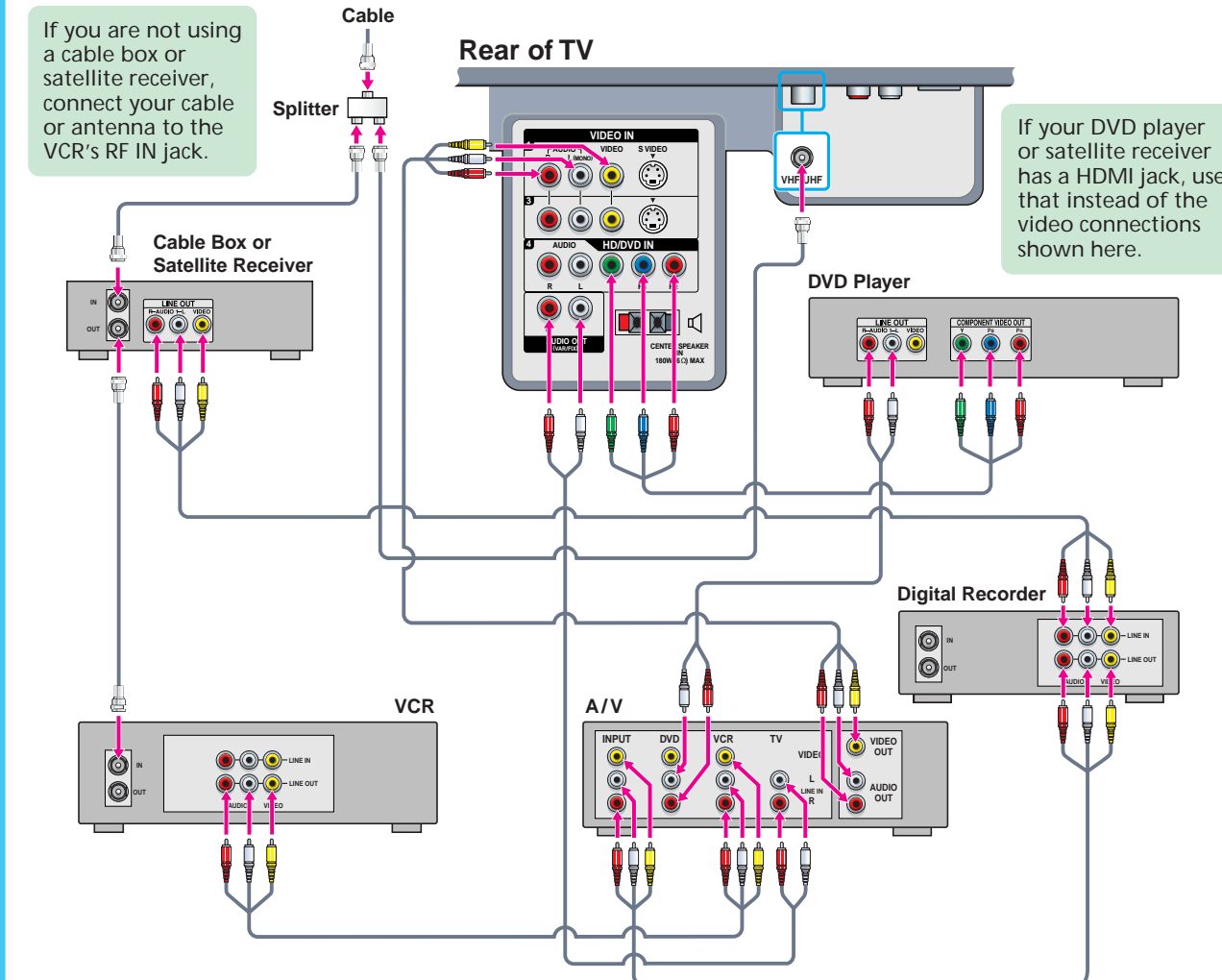


E

Use this diagram if you have;



Cables Required	
Splitter	1
Coaxial	4
Composite	4
Component	1
Audio	2

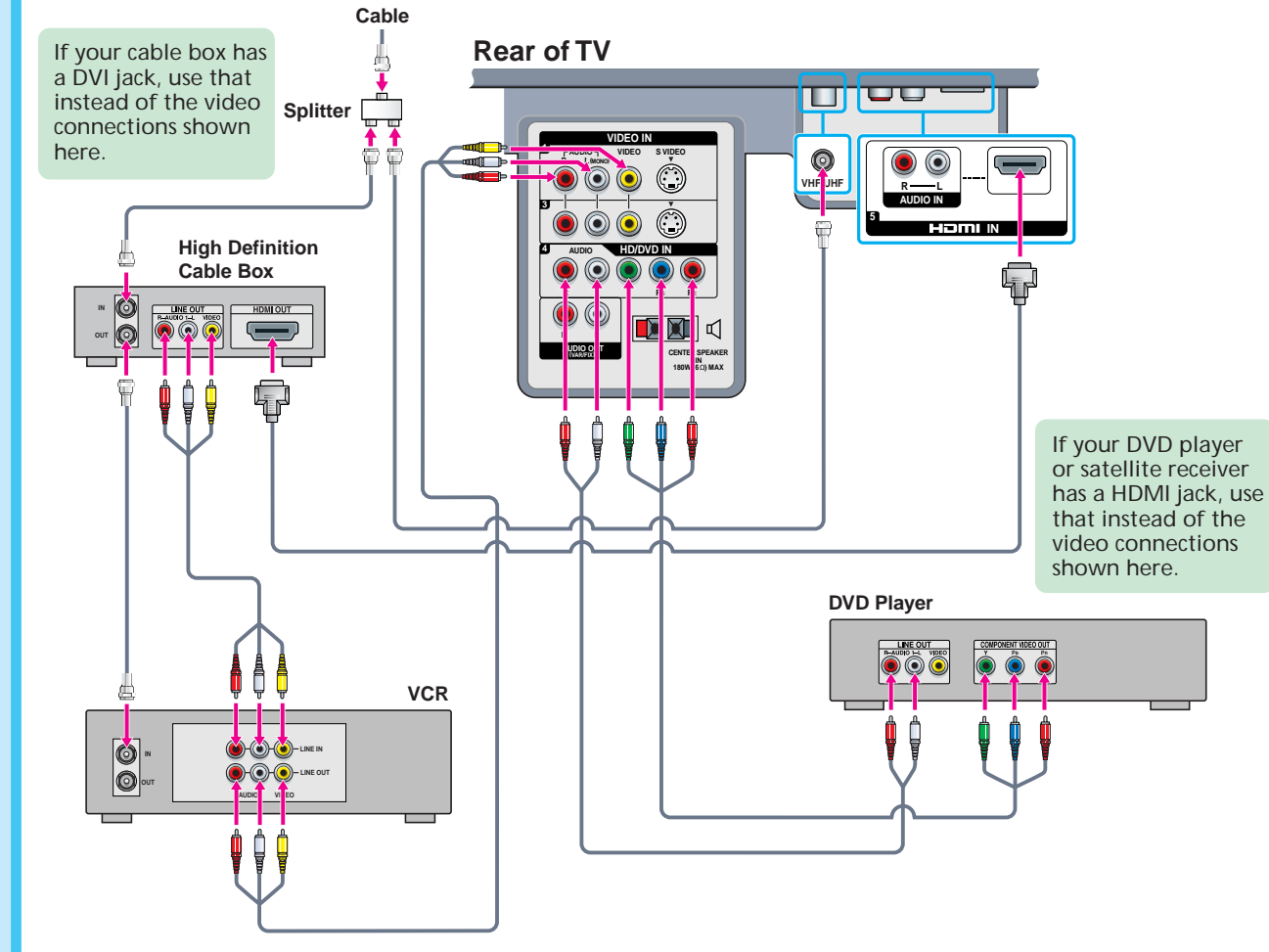


F

Use this diagram if you have;



Cables Required	
Splitter	1
Coaxial	4
Composite	2
Component	1
HDMI	1
Audio	1



Free Manuals Download Website

<http://myh66.com>

<http://usermanuals.us>

<http://www.somanuals.com>

<http://www.4manuals.cc>

<http://www.manual-lib.com>

<http://www.404manual.com>

<http://www.luxmanual.com>

<http://aubethermostatmanual.com>

Golf course search by state

<http://golfingnear.com>

Email search by domain

<http://emailbydomain.com>

Auto manuals search

<http://auto.somanuals.com>

TV manuals search

<http://tv.somanuals.com>