

Mobile Trinitron Color Monitor

XVM-80

Operating Instructions page 2

Before operating the unit, please read this manual thoroughly and retain it for future reference.

Owner's Record

The model and serial numbers are located at the bottom. Record the serial number in the space provided below. Refer to them whenever you call upon your Sony dealer regarding this product.

Model No. XVM-80 Serial No. _____

Mode d'emploi page 16

Avant la mise en service de cet appareil, prière de lire attentivement ce mode d'emploi que l'on conservera pour toute référence ultérieure.

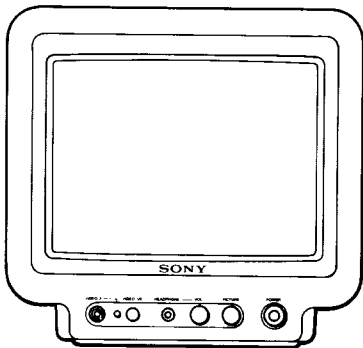
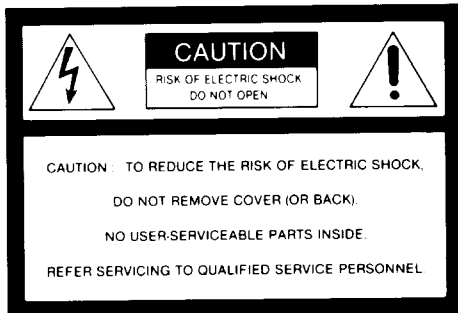


Table of Contents

Features	2
Precautions	3
Parts identification	4
Viewing the pictures	6
Installation	8
Connections	10
Specifications	14
Troubleshooting guide	15

WARNING

To prevent fire or shock hazard, do not expose the unit to rain or moisture.



This symbol is intended to alert the user to the presence of uninsulated "dangerous voltage" within the product's enclosure that may be of sufficient magnitude to constitute a risk of electric shock to persons.



This symbol is intended to alert the user to the presence of important operating and maintenance (servicing) instructions in the literature accompanying the appliance.

Caution

- Do not install this unit where the driver can see the monitor.
- Never attempt to control or watch this unit while driving as this could lead to serious accidents.

Features

The XVM-80 is a compact trinitron color monitor designed for viewing TV programs received by the connected TV tuner unit such as the XT-U500V. Make sure that you can only connect the XT-U500V to the Sony UNILINK system compatible car audio equipment such as the CDX-U500 or the XR-U880.

You can also view pictures from a VCR or video camera recorder equipped with a playback function. The unit is also equipped with an AV stereo jack on its front panel to which you can directly connect a video camera and enjoy the sound and pictures from it.

INFORMATION

This equipment generates and uses radio frequency energy and if not installed and used properly, that is, in strict accordance with the manufacturer's instructions, may cause interference to radio and television reception. It has been type tested and found to comply with the limits for a Class B computing device in accordance with the specifications in Subpart J of Part 15 of FCC Rules, which are designed to provide reasonable protection against such interference in a residential installation. However, there is no guarantee that interference will not occur in a particular installation. If this equipment does cause interference to radio or television reception, which can be determined by turning the equipment off and on, the user is encouraged to try to correct the interference by one or more of the following measures:

- Reorient the receiving antenna
- Relocate the equipment with respect to the receiver
- Move the equipment away from the receiver
- Plug the equipment into a different outlet so that equipment and receiver are on different branch circuits.

If necessary, the user should consult the dealer or an experienced radio/television technician for additional suggestions. The user may find the following booklet prepared by the Federal Communications Commission helpful: "How to Identify and Resolve Radio-TV Interference Problems". This booklet is available from the U.S. Government Printing Office, Washington, DC 20402, Stock No. 004-000-00345-4.

Precautions

On Safety

- Never attempt to open up the unit as this can be extremely dangerous. Refer servicing to qualified personnel only.
- Should any solid object or liquid fall into the unit, disconnect the power source and have the unit checked by qualified personnel before operating it any further.
- Never cover the ventilation slits of the unit.
- This unit is designed for negative ground 12 V DC operation only.

Installation

- Avoid installing the unit:
 - where it may disrupt the normal driving conditions of a driver.
 - where it may be hazardous to a passenger or a driver.
 - where it may be subjected to dust, rain or moisture.
 - near a magnetic field.
 - near heat sources such as the hot air from the heater or direct sunlight.
 - on a dash board or other unstable places.
- Never place the unit near speakers as their magnetic fields may cause color smears on a TV picture.

Mounting Hardware

- Use the supplied hardware only.
- When you tighten up the screws etc., be sure not to wind up the electrical wires.
- If you wish to apply the bolts and nuts supplied to your car for connecting the earth lead etc., never use the ones used for the brake system or the steering system.
- Make sure that the screws, bolts and nuts etc. you have taken out from the car are not mixed up.
- If you drill holes to the car frame to install the unit, make sure that there is nothing on the other side.

Fuse Replacement

If the fuse blows, check the power connection and replace the fuse. If the fuse blows again after replacement, there may be an internal malfunction. In such a case, consult your nearest Sony dealer.

Warning

Use the specified fuse with correct amperage. Use of a fuse with higher amperage may cause serious damage to the car.

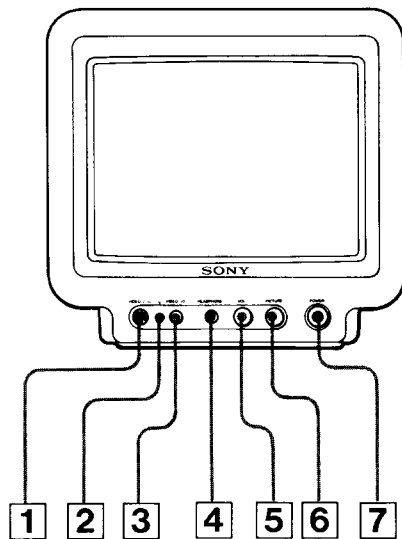
Cleaning

- Clean the unit with a soft cloth slightly dampened with a mild detergent solution. Never use solvents, such as thinner or benzene as they may damage the finish.
- If the inside of the unit is left uncleaned for a long period of time, the accumulated dust may cause fire hazard. Have the unit checked by qualified personnel from time to time to prevent this from happening.
- Do not squirt solvent based sprays on the surface of the unit or let some rubber or vinyl products come in contact with the unit for a long period of time as this could damage the finish.

If you have any questions or problems concerning this unit that are not covered by this manual, please consult the nearest Sony dealer.

Parts Identification

Front panel



1 VIDEO 2 input terminal jack (AV stereo jack)

Connect a video camera recorder etc. to view video recordings. When not in use, replace the supplied rubber cap.

2 VIDEO 2 indicator

Lights up to indicate that the VIDEO 2 position is selected by the VIDEO 1/2 selector switch.

3 VIDEO 1/2 selector switch

For selecting incoming signals from either the VIDEO 1 or the VIDEO 2 input terminal.

4 HEADPHONES output terminal jack (stereo minijack)

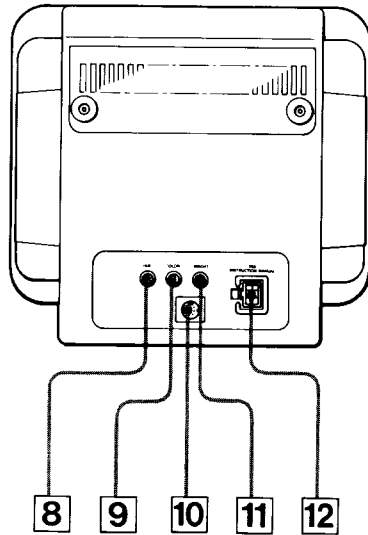
5 HEADPHONES VOL (headphones volume) control

6 PICTURE (picture contrast) control

7 POWER switch

Do not watch the TV for a long period of time or leave the POWER switch on when the engine is turned off as this could wear the car battery down.

Rear panel



- 8** HUE control
- 9** COLOR (color intensity) control
- 10** VIDEO 1 input (8 PIN mini DIN) terminal
For connecting the XTV-8 or the XT-U500V
etc.
- 11** BRIGHT (brightness) control
- 12** 6 PIN power cord terminal

Viewing the Pictures

Before operating the unit, make sure that the connections are made properly according to the instructions. See pages 10–13.

1 Turn on the unit by pressing the POWER switch.



2 Turn on the power of other equipment connected to this unit.

3 Select the input source with the VIDEO 1/2 selector button.
If a TV tuner unit such as the XT-U500V is to be connected, select the VIDEO 1 position. If a video camera recorder etc. is connected to the VIDEO 2 input terminal jack on the front of this unit, select the VIDEO 2 position.

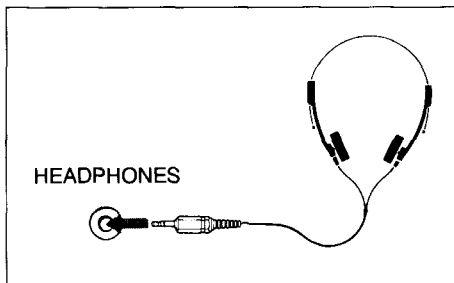


4 Operate the connected equipment.

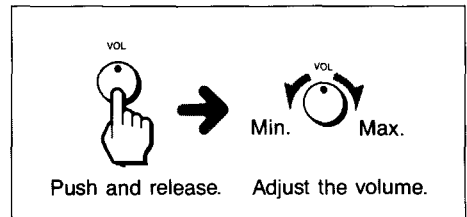
After viewing

Be sure to turn off the unit by pressing the POWER switch. Even if there is no image on the TV screen, unless the POWER switch is turned off, there will be a danger of wearing the battery down.

Headphones (front panel)



Control the volume with the HEADPHONES VOL control on the front panel.

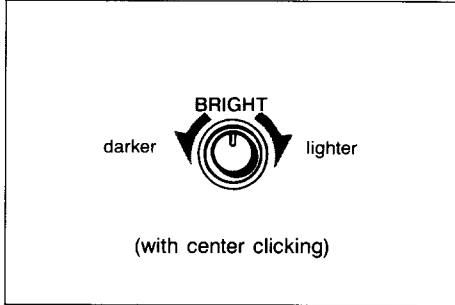


Notes

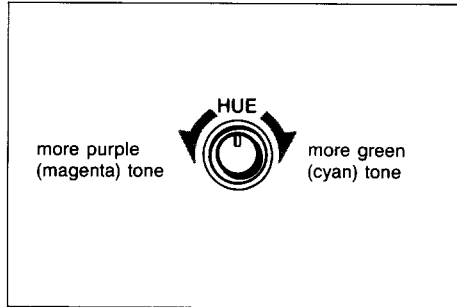
- If the TV tuner unit XTV-8 is connected, you will not be able to listen to the sound through the headphones but with the speakers.
- If another equipment such as a video camera recorder is connected to the VIDEO 2 terminal, you will be able to listen to the source sound through the headphones.
- By connecting the XT-U500V and selecting the VIDEO 2 position with the VIDEO 1/2 selector button, you can listen to the sound from the video equipment through the speakers.

Adjusting the Picture

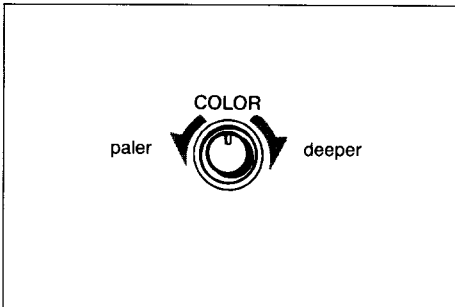
Brightness (rear panel)



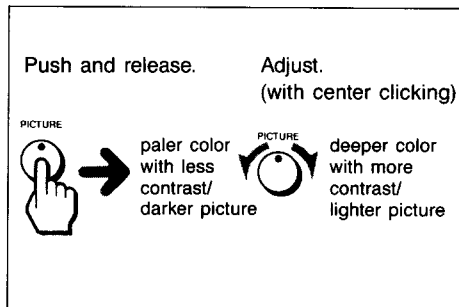
Hue (rear panel)



Color (rear panel)



Adjusting the overall tone of the TV screen against the surrounding light (front panel)



Installation

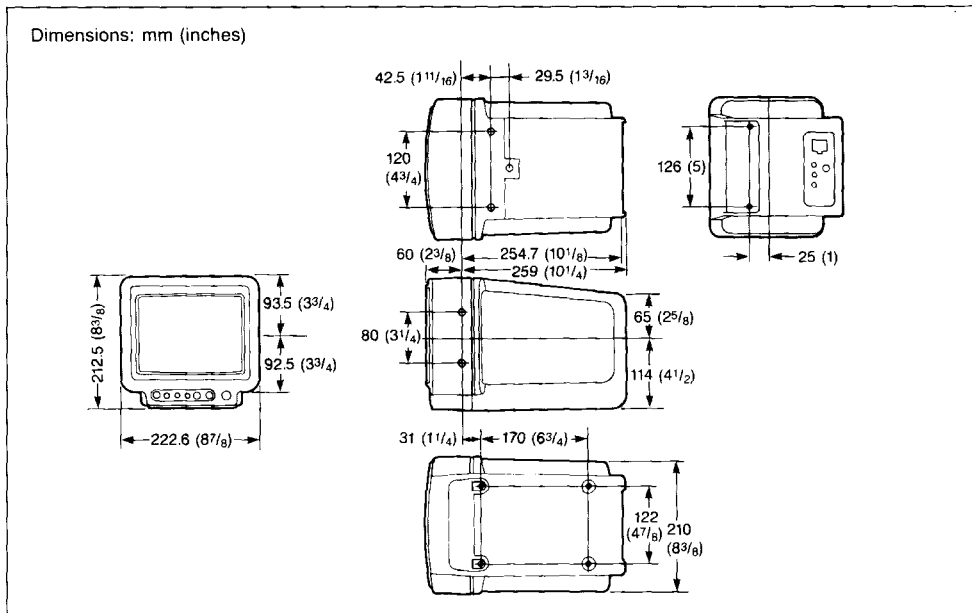
Use the supplied mounting hardware. If you find it difficult to install the unit yourself, consult your dealer.

Do not install this unit where the driver can see the monitor.

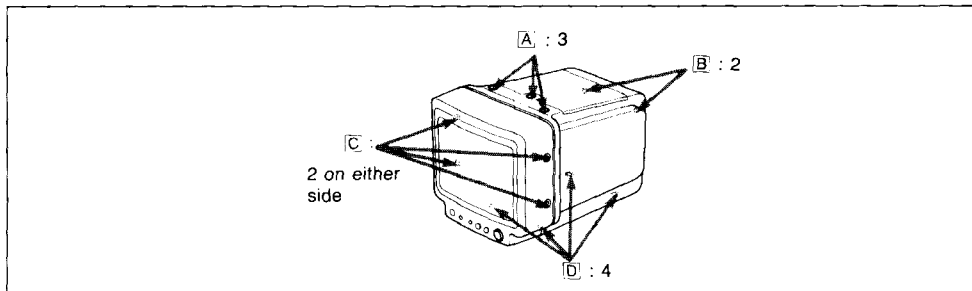
Before Installation

This unit weighs approximately 5 kg (11 lb) and the use of the appropriate mounting hardware is strongly recommended. Depending on the mounting location, it may be necessary to fortify the mounting area of the car body before the installation.

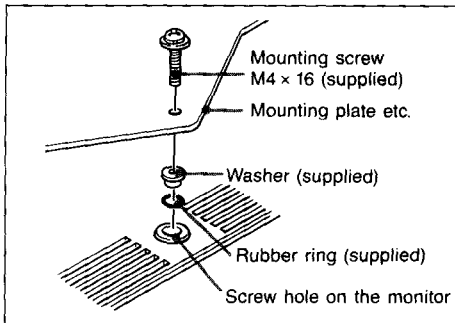
Dimensions of the unit



Mounting holes (13)

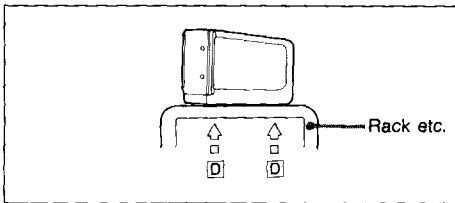


Mounting screws



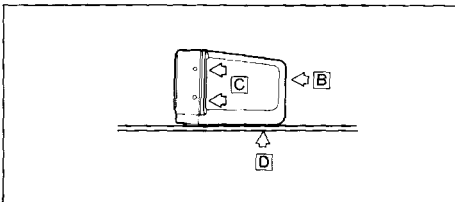
Use the supplied washers and the rubber rings except for the holes **B** on the rear of the unit.

Installing on a rack etc.



Use the four holes **D** on the bottom of the unit. Use the supplied plastic pads if necessary so that the unit is well ventilated.

Using the side panels



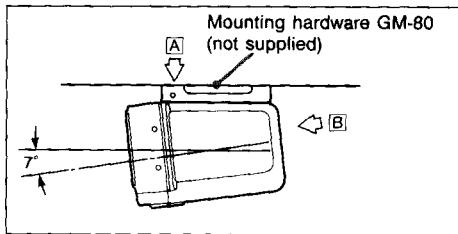
Use the two holes **C** on either side of the unit as well as the two holes **B** on the rear or the two holes **D** on the bottom rear of the unit to secure it.

Note

The supplied screws are designed for mounting the unit on a board with the thickness of 2 mm or less. If the mounting board is thicker than 2 mm, be sure to use screws whose length are 14 mm plus the thickness of the board you are intending to use.

Hanging installation

Be sure to use the separately sold mounting hardware GM-80 designed for a hanging installation.



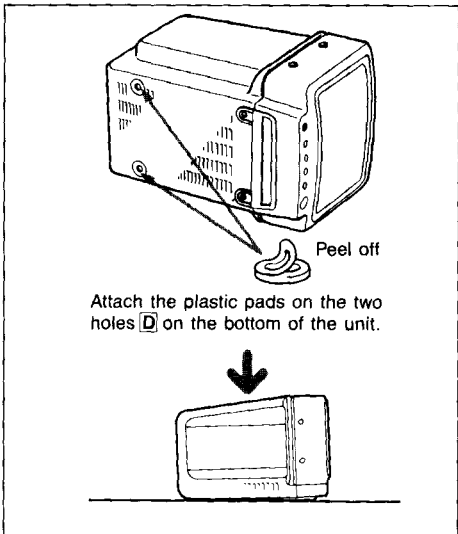
Use the three holes **A** on the top and the two holes **B** on the rear of the unit.

Note

When hanging the unit from the roof, make sure that the part of the roof you intend to hang the unit from is strengthened. For the details on installation on the roof, consult your dealer.

Caution

When installing the unit on a flat surface such as the top side of a console box, or in a rack etc., be sure to attach the supplied plastic pads on the bottom of the unit as illustrated in order to keep the ventilation openings free so that an internal heat build-up can be prevented.



Connections

Preventing short circuits

- Before making any connections, disconnect the negative ground terminal of the car battery to prevent short circuiting.
- Connect the red power lead only after all other leads have been connected.
- If your car is equipped with a computer navigation system etc., do not disconnect the negative ground wire from the car battery. If you do so, the memories of the computer may be erased. In such a case, make the connections without removing the ground wire but be sure to connect the +12 V input lead only after all other connections are completed to avoid short circuiting.

Coloring of the leads

Red: power lead

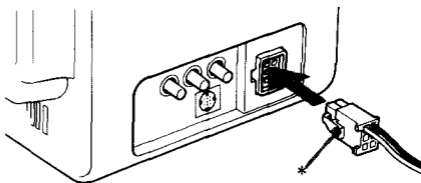
If your car is equipped with an accessory position on the ignition panel, connect this lead to the positive 12 V power terminal which is activated when the ignition key is set to the accessory position.

Black: ground lead

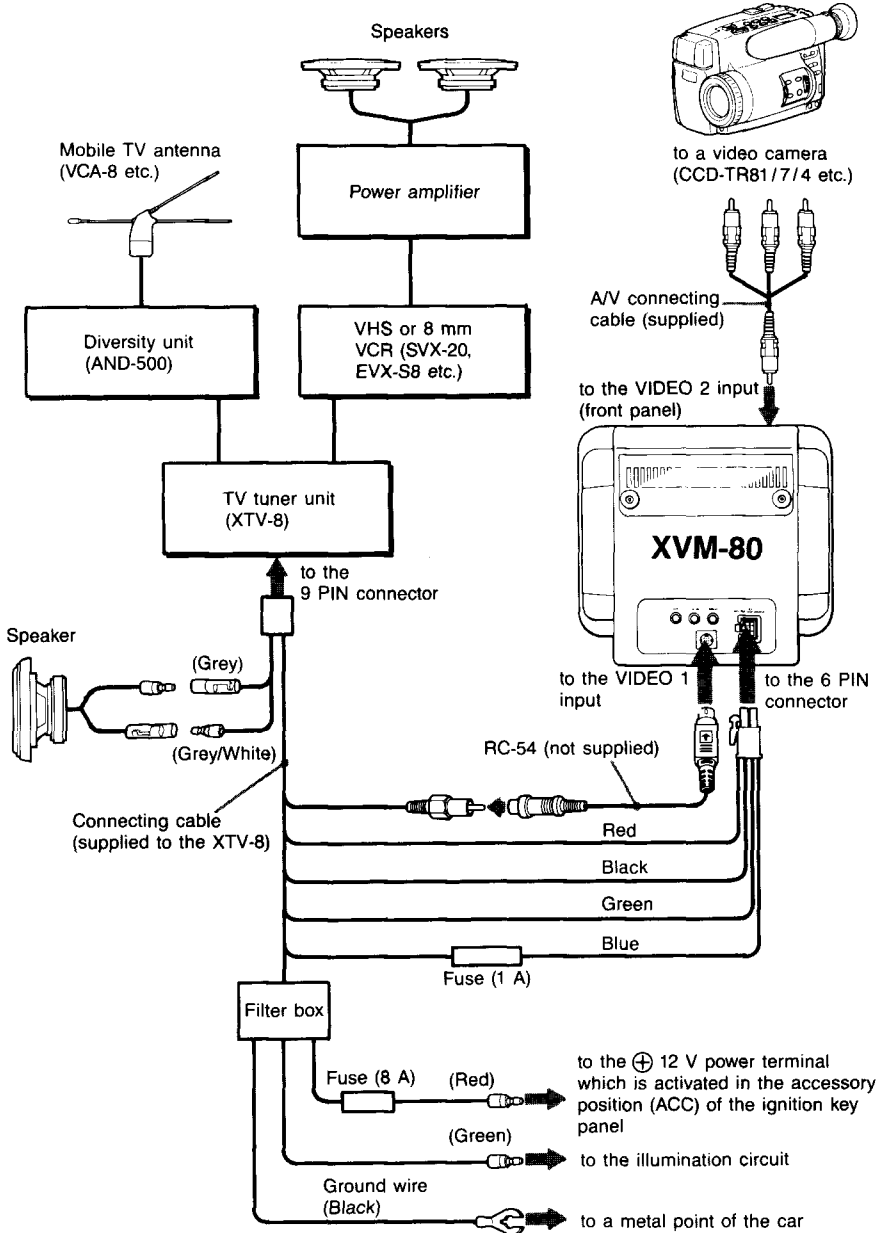
Connect this lead to a metal point of the car. Read the operation manuals of the connected equipment as well. When all the connections are completed, check whether the headlights, the rear lights, the turn signals, the wind screen wipers and the horn etc. of your car operate properly.

How to connect the 6 pin connector

Press in the projected part* with your thumb when plugging or unplugging it.

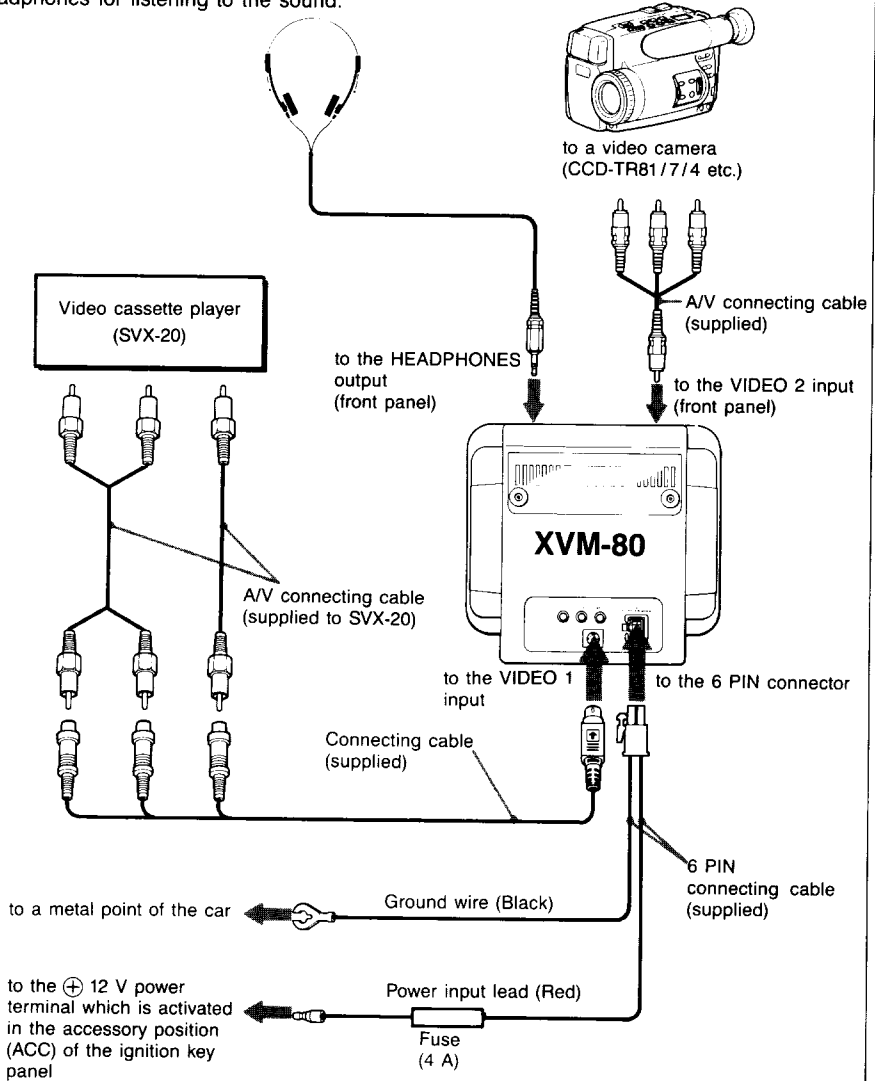


Connection Example 2



Connection Example 3

Use headphones for listening to the sound.



Specifications

Color system NTSC
 Picture tube Trinitron system
 8 inch visual
 70 degree deflection
 VIDEO 1 input jack Mini DIN 8 PIN jack
 VIDEO 2 input jack AV stereo minijack
 HEADPHONES output jack Stereo minijack

6 PIN connector

PIN No.	Signal
1	ACC. +12 V
2	
3	
4	negative ground
5	
6	

Power requirements 12 V DC negative ground
 Power consumption 2.5 A
 Dimensions Approx. 222.6 × 212.5 × 319 mm
 (w/h/d)
 (8⁷/₈ × 8³/₈ × 12⁵/₈ inches)
 Weight Approx. 5 kg (11 lb.)

Supplied accessories Mounting kit (1 set)
 Rubber cap (for the VIDEO 2 input terminal jack) (1)
 6-PIN connecting cable (1)
 A/V connecting cable (3 phono ↔ 1 phono)(1)
 Connecting cable (8 PIN mini DIN ↔ phono)(1)

Optional accessories

TV tuner unit XT-U500V, XTV-8
 Video cassette player SVX-20
 8 PIN video terminal conversion cable RC-54 (for connecting the XTV-8)
 8 PIN DIN connecting cable RC-66 (for connecting the XT-U500V)
 Mounting bracket GM-80

Design and specifications subject to change without notice.

Troubleshooting Guide

Disturbances in the picture and sound can often be eliminated by checking the symptoms and following the suggestions listed below. If the problem still cannot be solved, contact your nearest service facility.

Symptom	Cause/Solution
Poor picture	<ul style="list-style-type: none">• Are the connections made correctly?• Adjust the PICTURE, BRIGHT, COLOR and HUE controls.
No sound from the headphones	Turn up the volume of the headphones.
No picture and no sound	<ul style="list-style-type: none">• Are the connections made correctly?• Is the setting of the VIDEO 1/2 selector button correct?• Is the connected equipment turned on?
No color	<ul style="list-style-type: none">• Is the received program in color?• Adjust the COLOR control.

AVERTISSEMENT

Afin d'éviter tout risque d'incendie ou d'électrocution, ne pas exposer cet appareil à la pluie ou à l'humidité.

Attention

- **Ne pas installer ce moniteur dans un endroit visible par le conducteur.**
- Ne jamais essayer de régler ou de regarder ce moniteur en conduisant, car un accident grave est vite arrivé.

Table des matières

Caractéristiques	16
Précautions	17
Nomenclature	18
Utilisation du moniteur	20
Installation	22
Connexions	24
Spécifications	28
Dépannage	29

Caractéristiques

Le XVM-80 est un moniteur couleur Trinitron compact, conçu pour visionner des programmes TV captés par un tuner TV raccordé, comme le XT-U500V. Veuillez noter que le tuner XT-U500V ne peut être raccordé qu'à un équipement autoradio compatible avec le système UNILINK de Sony, comme le CDX-U500 ou le XR-U880.

Vous pouvez également visionner des images fournies par un magnétoscope ou un caméscope doté de la fonction de lecture.

Ce moniteur est équipé d'une prise stéréo AV à l'avant vous permettant de raccorder directement une caméra vidéo et de visionner les images fournies par la caméra.

Précautions

Sécurité

- Ne jamais essayer d'ouvrir l'appareil car cela peut être extrêmement dangereux. Pour toute réparation, s'adresser à un technicien qualifié uniquement.
- Si un solide ou un liquide venait à s'infiltrer à l'intérieur du moniteur, le déconnecter de la source d'alimentation et le faire vérifier par un technicien qualifié avant de le remettre en service.
- Ne jamais recouvrir les fentes d'aération du moniteur.
- Cet appareil a été conçu pour fonctionner sur courant continu 12 V à masse négative uniquement.

Installation

- Eviter d'installer l'appareil:
 - dans un endroit où il pourrait gêner les mouvements du conducteur,
 - dans un endroit où il pourrait mettre le passager ou le conducteur en danger,
 - dans un endroit où il pourrait être exposé à la poussière, à la pluie ou à l'humidité,
 - près d'un champ magnétique,
 - près d'une source de chaleur, comme la soufflerie du chauffage, ou en plein soleil,
 - sur le tableau de bord ou autre endroit instable.
- Ne jamais placer l'appareil près d'un haut-parleur, car le champ magnétique risque de créer des traînées lumineuses sur l'écran.

Matériel de montage

- Utiliser le matériel fourni uniquement.
- Au moment de serrer les vis, faire attention à ne pas enrouler les fils électriques.
- Si vous voulez utiliser les boulons et écrous de votre voiture pour raccorder l'appareil à la terre, ne jamais utiliser ceux qui servent pour le système de freinage ou le volant.
- Prendre soin de ne pas mélanger les vis, boulons et écrous enlevés de la voiture.
- Si vous percez des trous dans la carrosserie de la voiture pour installer l'appareil, assurez-vous qu'il n'y a rien de l'autre côté.

Remplacement du fusible

Si le fusible saute, vérifier la connexion d'alimentation et remplacer le fusible. S'il saute encore une fois après le remplacement, il y a sans doute un mauvais fonctionnement interne. Dans ce cas, consulter le revendeur Sony le plus proche.

Avertissement

Utiliser le fusible avec l'ampérage correct. L'utilisation d'un fusible avec un ampérage plus élevé risque d'endommager sérieusement la voiture.

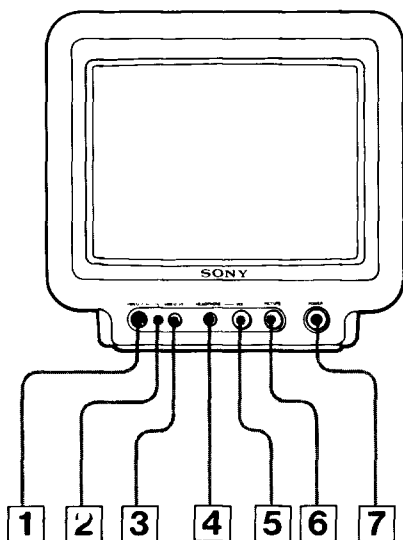
Nettoyage

- Nettoyer l'appareil à l'aide d'un chiffon doux légèrement imbibé d'une solution savonneuse douce. Ne jamais utiliser de solvant, comme du diluant ou de la benzine, qui pourrait abîmer la finition.
- Si l'intérieur de l'appareil n'est pas nettoyé pendant longtemps, la poussière accumulée risque de causer un incendie. Faire vérifier l'appareil de temps en temps par un technicien qualifié pour le faire nettoyer.
- Ne pas vaporiser de produits à base de solvant à la surface de l'appareil ou laisser certains produits en caoutchouc ou en plastique en contact avec l'appareil pendant longtemps, car ils pourraient abîmer la finition.

Pour toute question ou problème au sujet de cet appareil non couvert dans ce manuel, veuillez consulter votre revendeur Sony le plus proche.

Nomenclature

Panneau avant



1 **Prise d'entrée vidéo (VIDEO 2) (prise AV stéréo)**

Elle sert à raccorder un caméscope ou autre appareil pour visionner des enregistrements vidéo. Lorsqu'elle n'est pas utilisée, remettre le capuchon en caoutchouc fourni.

2 **Indicateur vidéo (VIDEO 2)**

Il s'allume pour indiquer que la position VIDEO 2 est sélectionnée par le sélecteur VIDEO 1/2.

3 **Sélecteur d'entrée vidéo (VIDEO 1/2)**

Pour sélectionner les signaux entrant depuis la prise VIDEO 1 ou VIDEO 2.

4 **Prise de sortie casque (HEADPHONES) (mini-jack stéréo)**

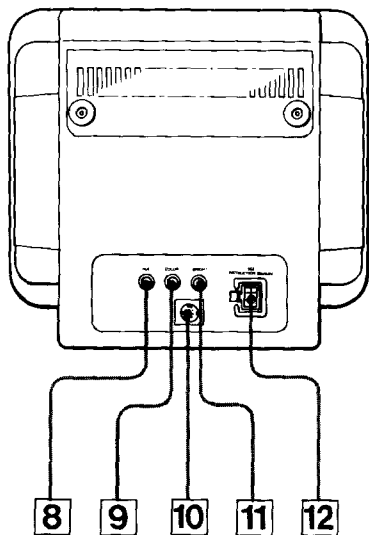
5 **Bouton de réglage de volume du casque (HEADPHONES VOL)**

6 **Bouton de réglage du contraste de l'image (PICTURE)**

7 **Interrupteur d'alimentation (POWER)**

Ne pas laisser le moniteur allumé pendant longtemps ou laisser l'interrupteur POWER enclenché lorsque le moteur est à l'arrêt, pour éviter de mettre la batterie de la voiture à plat.

Panneau arrière



- 8** Bouton de réglage de la teinte (HUE)
- 9** Bouton de réglage de la couleur (COLOR)
- 10** Prise d'entrée vidéo (VIDEO 1) (mini-DIN 8 broches)
Pour raccorder le XTV-8, le XT-U500V ou autre.
- 11** Bouton de réglage de la luminosité (BRIGHT)
- 12** Prise d'alimentation 6 broches

Utilisation du moniteur

Avant d'utiliser ce moniteur, assurez-vous que les connexions sont réalisées correctement, conformément aux instructions. Voir pages 24 à 27.

1 Allumer l'appareil en appuyant sur l'interrupteur POWER.



2 Allumer les autres appareils raccordés au moniteur.

3 Sélectionner la source d'entrée par le sélecteur VIDEO 1/2.

Si un tuner TV, comme le XT-U500V, est raccordé, sélectionner la position VIDEO 1. Si un caméscope est raccordé à la prise d'entrée VIDEO 2 à l'avant de l'appareil, sélectionner la position VIDEO 2.

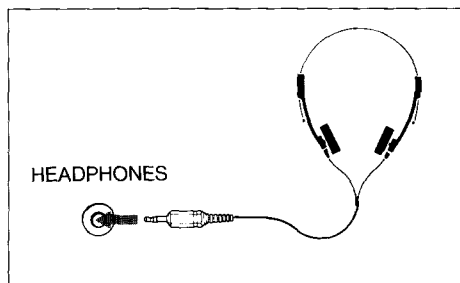


4 Mettre l'appareil raccordé en marche.

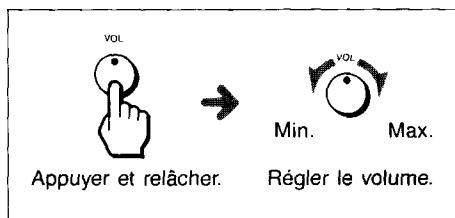
Après utilisation

Ne pas oublier d'éteindre le moniteur en appuyant sur l'interrupteur POWER. Même s'il n'y a pas d'image à l'écran, tant que l'interrupteur POWER est enclenché, l'énergie utilisée risque de mettre la batterie de la voiture à plat.

Casque (Panneau avant)



Régler le volume à l'aide du bouton HEADPHONES VOL sur le panneau avant.

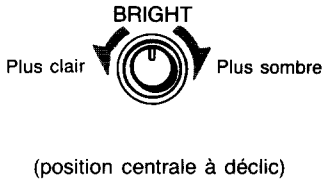


Remarques

- Si le tuner TV XTV-8 est raccordé, vous ne pourrez entendre le son que par le haut-parleur, pas par le casque.
- Si un appareil, comme un caméscope, est raccordé à la prise VIDEO 2, vous pouvez écouter le son au casque.
- Lorsque vous raccordez le XT-U500V et que vous sélectionnez la position VIDEO 2 sur le sélecteur VIDEO 1/2, vous pouvez entendre le son de l'appareil vidéo sur les haut-parleurs.

Réglage de l'image

Luminosité (panneau arrière)



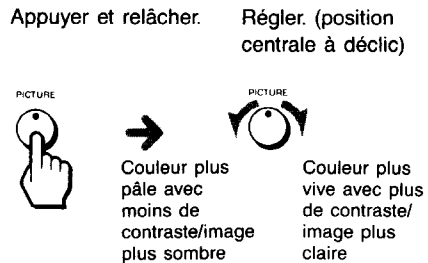
Teinte (panneau arrière)



Couleur (panneau arrière)



Réglage de la teinte générale de l'écran en fonction de la lumière ambiante (panneau avant)



Installation

Utiliser le matériel de montage fourni. Si vous avez des difficultés à installer l'appareil vous-même, adressez-vous à votre revendeur.

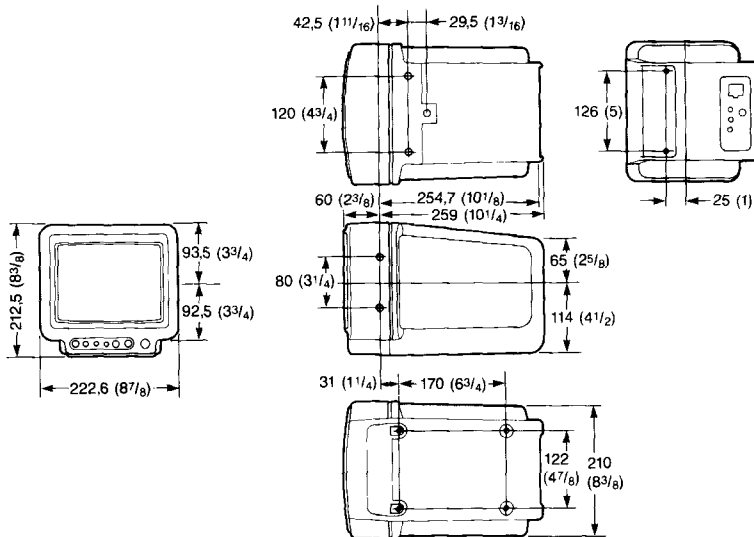
Ne pas installer ce moniteur dans un endroit visible par le conducteur.

Avant l'installation

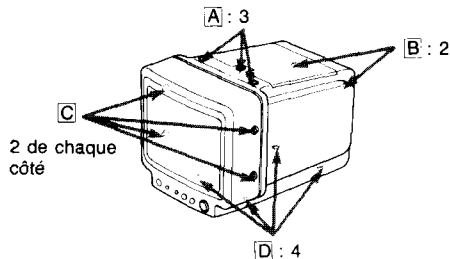
Cet appareil pèse environ 5 kg (11 livres) et nous vous recommandons vivement d'utiliser le matériel de montage approprié. Selon l'emplacement choisi, il peut être nécessaire de renforcer la zone de montage avant d'installer le moniteur.

Dimensions de l'appareil

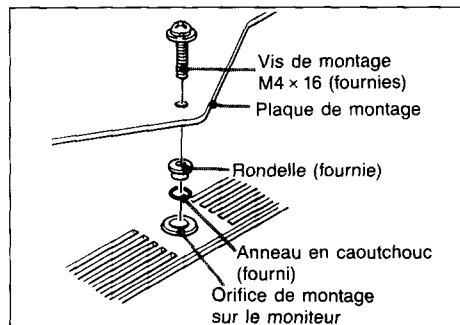
Dimensions: mm (pouces)



Orifices de montage (13)

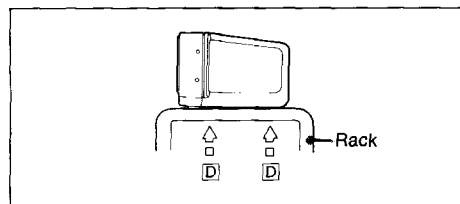


Vis de montage



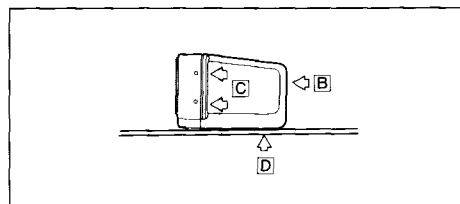
Utiliser les rondelles et les anneaux de caoutchouc fournis pour les orifices **B** à l'arrière de l'appareil.

Installation sur un rack ou une étagère



Utiliser les quatre orifices **D** sous l'appareil. Utiliser les patins en plastique fournis pour surélever le moniteur afin qu'il soit bien ventilé.

Utilisation des panneaux latéraux



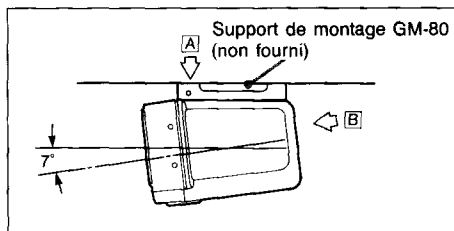
Utiliser les deux orifices **C** de chaque côté de l'appareil ainsi que les deux orifices **B** à l'arrière, ou les deux orifices **D** sous l'appareil pour le fixer.

Remarque

Les vis fournies ont été conçues pour monter l'appareil sur une plaque épaisse de 2 mm ou moins. Si la plaque de montage fait plus de 2 mm d'épaisseur, prendre soin d'utiliser des vis d'une longueur de 14 mm plus l'épaisseur de la plaque que vous avez l'intention d'utiliser.

Montage en suspension

Vous devez utiliser le matériel de montage GM-80 vendu séparément, conçu pour accrocher le moniteur au plafond.



Utiliser les trois orifices **A** sur le dessus et les deux orifices **B** à l'arrière du moniteur.

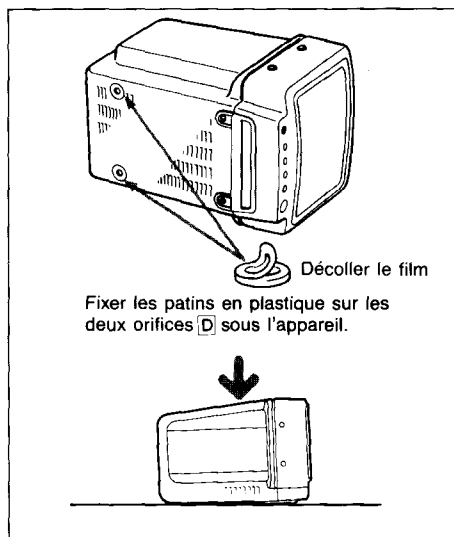
Remarque

Avant d'accrocher le moniteur au plafond, vérifier que la partie du plafond où sera accroché l'appareil est renforcée.

Pour plus de détails sur l'installation au plafond, veuillez consulter votre revendeur.

Attention

Avant d'installer le moniteur sur une surface plane, comme le couvercle de la console centrale ou sur un rack, **prendre soin de coller les patins en plastique** sous le moniteur comme illustré pour ne pas boucher les fentes d'aération et éviter une surchauffe.



Connexions

Pour éviter un court-circuit

- Avant de commencer les connexions, déconnecter la borne de masse négative de la batterie de la voiture pour éviter un court-circuit.
- Connecter le fil d'alimentation rouge en dernier.
- Si votre véhicule est équipé d'un système de navigation informatisé, ne pas déconnecter le fil de masse négative de la batterie de voiture pour éviter d'effacer les mémoires de l'ordinateur. Vous devez faire les connexions sans déconnecter le fil de masse, mais prenez bien soin de raccorder le fil d'entrée +12 V lorsque toutes les autres connexions sont terminées, pour éviter un court-circuit.

Couleurs des cordons

Rouge: fil d'alimentation

Si votre voiture est équipée d'une position accessoire sur la clé de contact, raccorder ce cordon à la borne d'alimentation 12 V positive, qui est sous tension lorsque la clé de contact est sur la position accessoire.

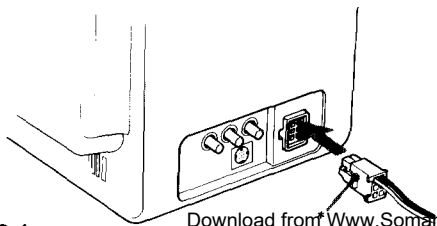
Noir: fil de masse

Raccorder ce fil à une partie métallique de la voiture. Prendre soin de lire également les modes d'emploi des appareils raccordés.

Lorsque toutes les connexions sont terminées, vérifier que les phares, les feux arrière, les clignotants, les essuie-glaces et l'avertisseur de votre voiture fonctionnent correctement.

Comment raccorder le connecteur à 6 broches

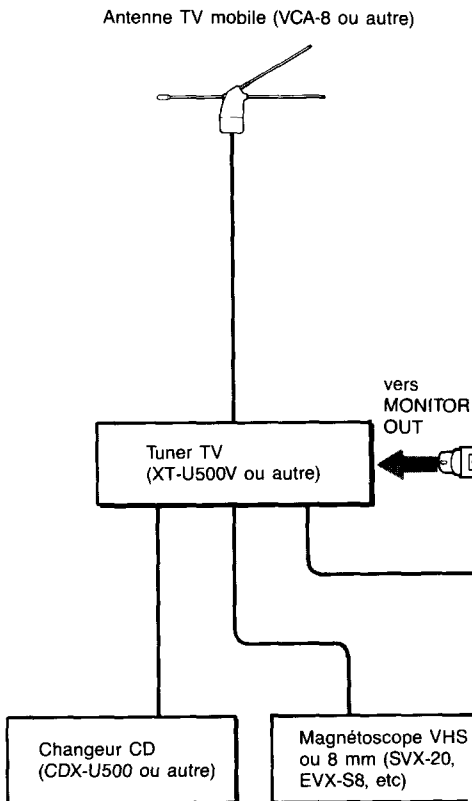
Appuyer avec le pouce sur la pièce saillante* pour brancher ou débrancher le connecteur.

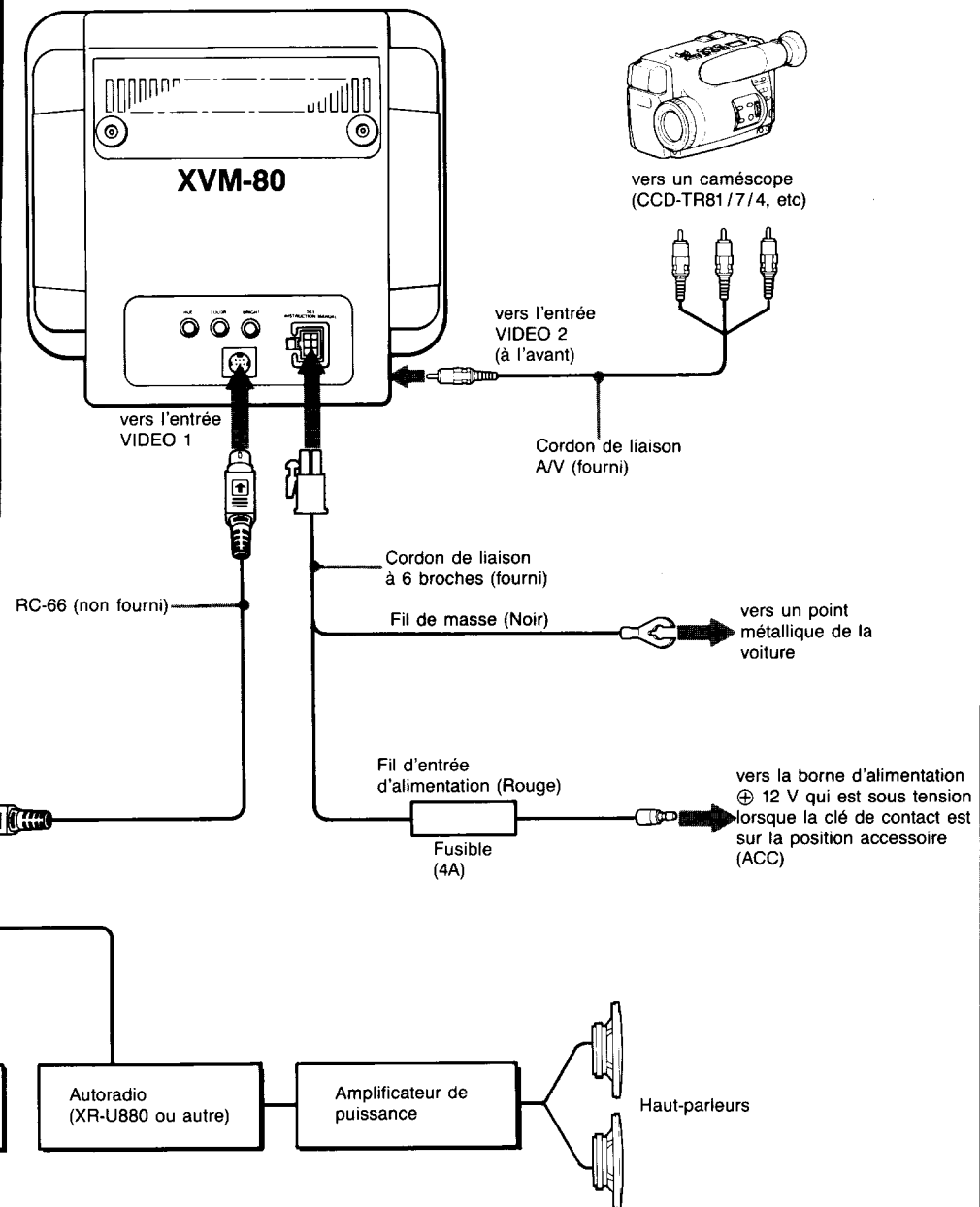


Exemple de connexion 1

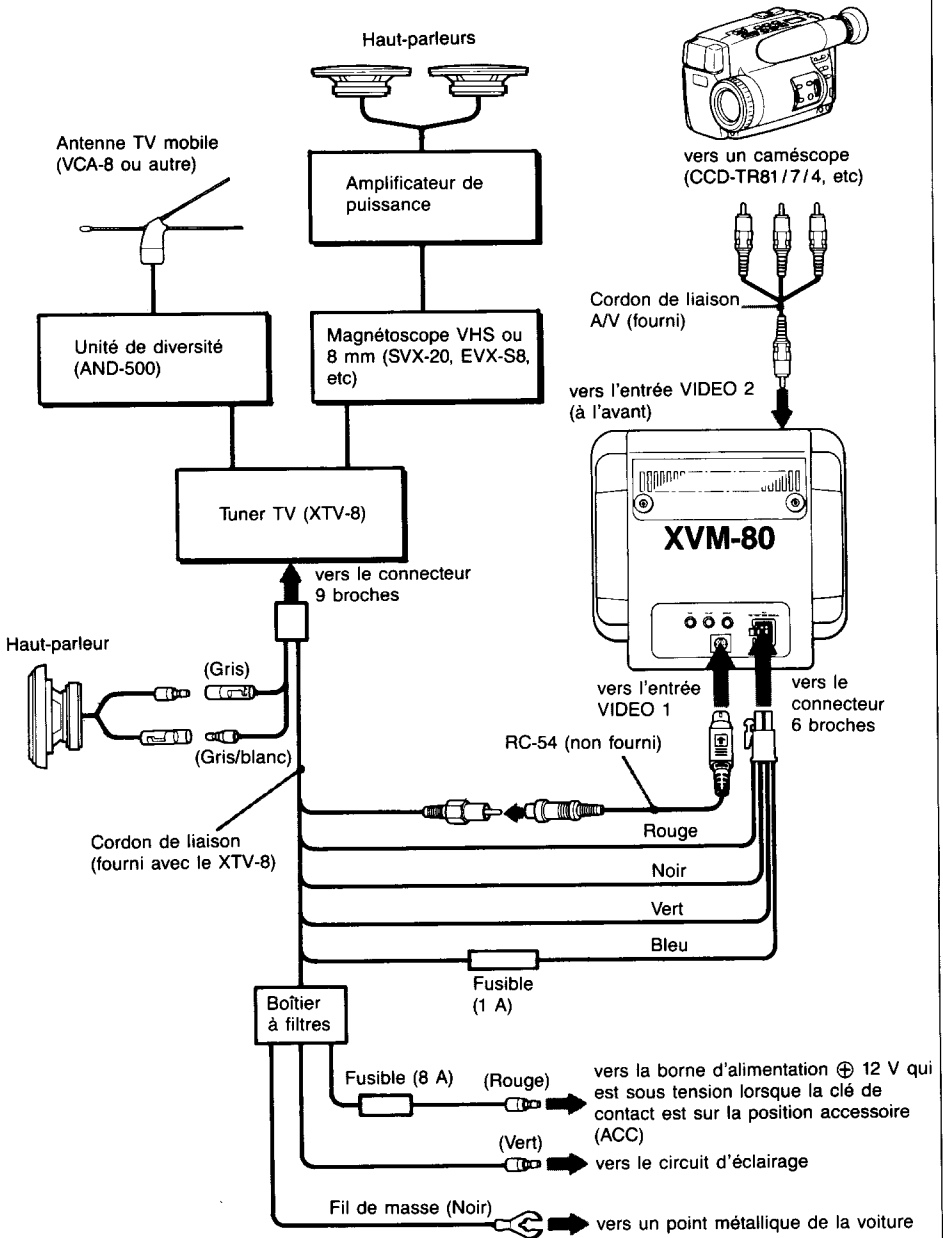
Remarque

Si vous utilisez ce moniteur avec le tuner TV XT-U500V, vous ne pouvez le raccorder qu'à un équipement autoradio compatible avec le système UNILINK de Sony.



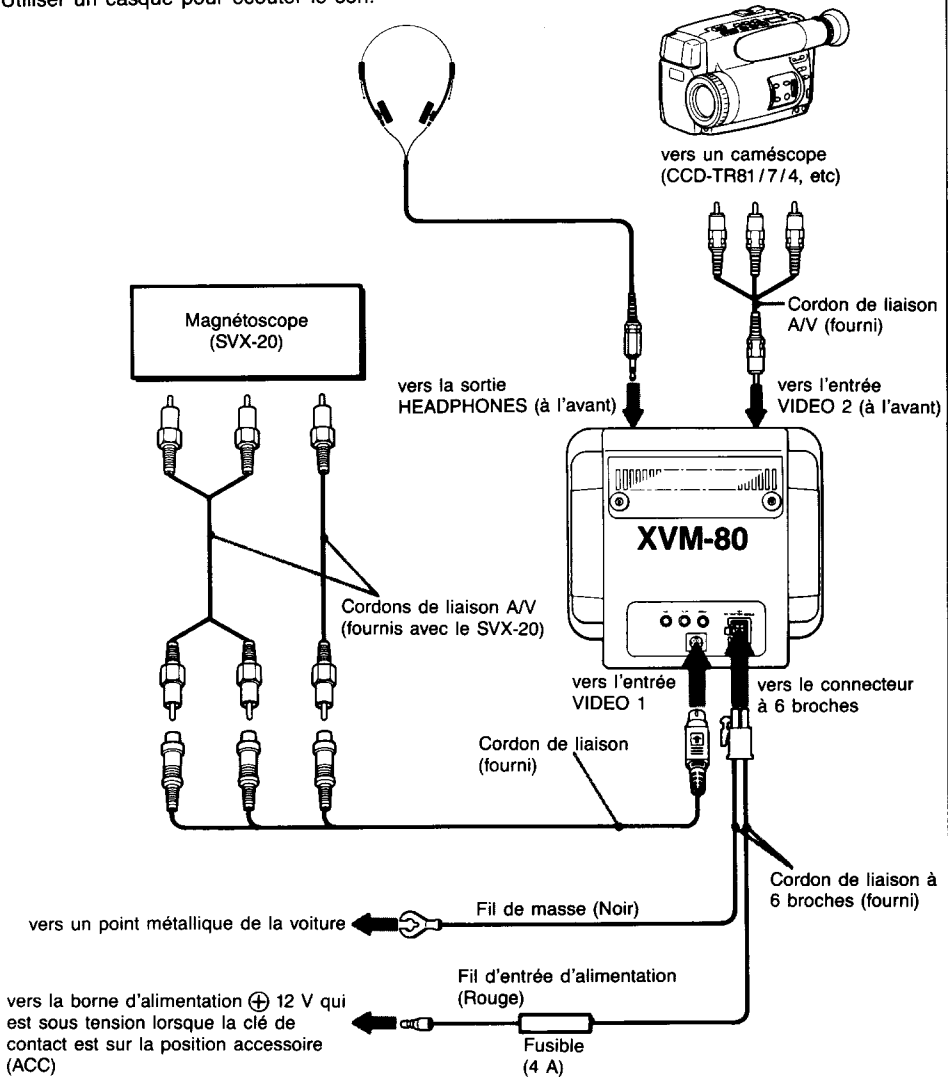


Exemple de connexion 2



Exemple de connexion 3

Utiliser un casque pour écouter le son.



Spécifications

Système de couleur	NTSC
Tube image	Système Trinitron 8 pouces (visuel) en diagonale Déflexion de 70 degrés
Prise d'entrée VIDEO 1	Prise mini-DIN 8 broches
Prise d'entrée VIDEO 2	Mini-jack stéréo AV
Prise de sortie HEADPHONES	Mini-jack stéréo
Connecteur à 6 broches	

Broche	Signal
1	ACC. + 12 V
2	
3	
4	Masse négative
5	
6	

Alimentation électrique	Courant continu 12 V à masse négative
Consommation électrique	2,5 A
Dimensions	Env. 222,6 x 212,5 x 319 mm (l/h/p) (8 ⁷ / ₈ x 8 ³ / ₈ x 12 ⁵ / ₈ pouces)
Poids	Env. 5 kg (11 livres)

Accessoires fournis	Kit de montage (1 jeu) Capuchon en caoutchouc (pour la prise d'entrée VIDEO 2) (1) Cordon de liaison 6 broches (1) Cordon de liaison A/V (3 fiches coaxiales ↔ 1 fiche coaxiale)(1) Cordon de liaison (mini-DIN 8 broches ↔ fiche coaxiale)(1)
---------------------	--

Accessoires optionnels

Tuner TV	XT-U500V, XTV-8
Lecteur vidéo	SVX-20
Câble de conversion pour la borne vidéo 8 broches	RC-54 (pour raccorder le XTV-8)
Câble de liaison DIN 8 broches	RC-66 (pour raccorder le XT-U500V)
Support de montage	GM-80

La conception et les spécifications peuvent être modifiées sans préavis.

Dépannage

Des défauts de l'image et du son peuvent souvent être éliminés en vérifiant les symptômes et en suivant les suggestions du tableau ci-dessous. Si le problème n'est toujours pas résolu, veuillez vous adresser au centre de service après-vente le plus proche.

Symptômes	Causes et solutions
Mauvaise image	<ul style="list-style-type: none">• Les connexions sont-elles correctes?• Régler PICTURE, BRIGHT, COLOR et HUE.
Pas de son au casque	Monter le volume du casque.
Pas d'image et pas de son	<ul style="list-style-type: none">• Les connexions sont-elles correctes?• Le sélecteur VIDEO 1/2 est-il correctement réglé?• L'appareil raccordé est-il sous tension?
Pas de couleur	<ul style="list-style-type: none">• Le programme reçu est-il en couleur?• Régler le bouton COLOR.

Free Manuals Download Website

<http://myh66.com>

<http://usermanuals.us>

<http://www.somanuals.com>

<http://www.4manuals.cc>

<http://www.manual-lib.com>

<http://www.404manual.com>

<http://www.luxmanual.com>

<http://aubethermostatmanual.com>

Golf course search by state

<http://golfingnear.com>

Email search by domain

<http://emailbydomain.com>

Auto manuals search

<http://auto.somanuals.com>

TV manuals search

<http://tv.somanuals.com>