

SONY

3-858-441-11 (1)

Clear**Scan** **25**
Automatic Channel Selection

Cordless Telephone with Answering System

Operating Instructions

E

Manual de instrucciones

E

SPP-AQ500



©1996 by Sony Corporation Printed in Hong Kong

Owner's Record

The model and the serial numbers are located at the bottom of the unit. Record the serial number in the space provided below. Refer to these numbers whenever you call upon your Sony dealer regarding this product.

Model No. SPP-AQ500

Serial No. _____

IMPORTANT SAFETY INSTRUCTIONS

When using your telephone equipment, basic safety precautions should always be followed to reduce the risk of fire, electric shock and injury to persons, including the following:

1. Read and understand all instructions.
2. Follow all warnings and instructions marked on the product.
3. Unplug this product from the wall outlet before cleaning. Do not use liquid cleaners or aerosol cleaners. Use a damp cloth for cleaning.
4. Do not use this product near water, for example, near a bath tub, wash bowl, kitchen sink, or laundry tub, in a wet basement, or near a swimming pool.
5. Do not place this product on an unstable cart, stand, or table. The product may fall, causing serious damage to the product.
6. Slots and openings in the cabinet and the back or bottom are provided for ventilation. To protect it from overheating, these openings must not be blocked or covered. The openings should never be blocked by placing the product on the bed, sofa, rug, or other similar surface. This product should never be placed near or over a radiator or heat register. This product should not be placed in a built-in installation unless proper ventilation is provided.
7. This product should be operated only from the type of power source indicated on the marking label. If you are not sure of the type of power supply to your home, consult your dealer or local power company.
8. Do not allow anything to rest on the power cord. Do not locate this product where the cord will be abused by persons walking on it.
9. Do not overload wall outlets and extension cords as this can result in the risk of fire or electric shock.
10. Never push objects of any kind into this product through cabinet slots as they may touch dangerous voltage points or short out parts that could result in a risk of fire or electric shock. Never spill liquid of any kind on the product.
11. To reduce the risk of electric shock, do not disassemble this product, but take it to a qualified service personnel when some service or repair work is required. Opening or removing covers may expose you to dangerous voltages or other risks. Incorrect reassembly can cause electric shock when the appliance is subsequently used.

12. Unplug this product from the wall outlet and refer servicing to qualified service personnel under the following conditions:

- A. When the power cord or plug is damaged or frayed.
- B. If liquid has been spilled into the product.
- C. If the product has been exposed to rain or water.
- D. If the product does not operate normally by following the operating instructions. Adjust only those controls that are covered by the operating instructions because improper adjustment of other controls may result in damage and will often require extensive work by a qualified technician to restore the product to normal operation.
- E. If the product has been dropped or the cabinet has been damaged.
- F. If the product exhibits a distinct change in performance.

13. Avoid using a telephone (other than a cordless type) during an electrical storm. There may be a remote risk of electric shock from lightning.

14. Do not use the telephone to report a gas leak in the vicinity of the leak.

SAVE THESE INSTRUCTIONS

CAUTION:

TO REDUCE THE RISK OF FIRE OR INJURY TO PERSONS BY BATTERY, READ AND FOLLOW THESE INSTRUCTIONS.

- 1. Use only the following type and size battery pack: SONY BP-T16.

- 2. Do not dispose of the battery pack in a fire. The cell may explode. Check with local codes for possible special disposal instructions.
- 3. Do not open or mutilate the battery pack. Released electrolyte is corrosive and may cause damage to the eyes or skin. It may be toxic if swallowed.
- 4. Exercise care in handling battery in order not to short the battery with conducting materials such as rings, bracelets, and key. The battery or conductor may overheat and cause burns.
- 5. Charge the battery pack provided with or identified for use with this product only in accordance with the instructions and limitations specified in the instruction manual provided for this product.
- 6. Observe proper polarity orientation between the battery pack and battery charger.
- 7. Do not mix old and new batteries in this product.
- 8. Do not mix batteries of different sizes or from different manufactures in this product.

EN

INFORMATION FOR GENERAL TELEPHONES

- 1. This equipment complies with Part 68 of the FCC rules. On the bottom of this equipment is a label that contains, among other information, the FCC registration number and ringer equivalence number (REN) for this equipment. If requested, this information must be provided to the telephone company.
- 2. The applicable registration jack (connector) USOC-RJ11C is used for this equipment.
- 3. This equipment is designed to be connected to the telephone network or premises wiring using a compatible modular jack which is Part 68 compliant.
The FCC compliant telephone cord and modular plug is provided with this equipment.
- 4. The REN is used to determine the quantity of devices which may be connected to the telephone line. Excessive RENs on the telephone line may result in the devices not ringing in response to an incoming call. In most, but not all areas, the sum of the RENs, should not exceed five (5.0). To be certain of the number of devices that may be connected to a line, as determined by the total RENs, contact the local telephone company.

3^{EN}

5. If your equipment (SPP-AQ500) causes harm to the telephone network, the telephone company will notify you in advance that temporary discontinuance of service may be required. But if advance notice isn't practical, the telephone company will notify the customer as soon as possible. Also, you will be advised of your right to file a complaint with the FCC if you believe it is necessary.
6. The telephone company may make changes in its facilities, equipment, operations or procedures that could affect the operation of the equipment. If this happens the telephone company will provide advance notice in order for you to make necessary modifications to maintain uninterrupted service.
7. If trouble is experienced with this equipment (SPP-AQ500), for repair or warranty information, please contact Sony Direct Response Center: Tel 1-800-222-7669. If the equipment is causing harm to the telephone network, the telephone company may request that you disconnect the equipment until the problem is resolved.
8. All repairs will be performed in an authorized Sony service station.
9. This equipment cannot be used to party lines or coin lines.
10. This equipment is hearing and compatible.

If your telephone is equipped with automatic dialers

When programming emergency numbers and (or) making test calls to emergency numbers:

1. Remain on the line and briefly explain to the dispatcher the reason for the call.
2. Perform such activities in the off-peak hours, such as early morning or late evenings.

CAUTION

You are cautioned that any changes or modifications not expressly approved in this manual could void your authority to operate this equipment.

Important notice

Warning: This telephone operates as a radio transmitter. Conversations over this cordless telephone may be heard by others on radios within the area of its range of transmission.

Note

This equipment has been tested and found to comply with the limits for a Class B digital device, pursuant to Part 15 of the FCC Rules. These limits are designed to provide reasonable protection against harmful interference in a residential installation. This equipment generates, uses and can radiate radio frequency energy and, if not installed and used in accordance with the instructions, may cause harmful interference to radio communications. However, there is no guarantee that interference will not occur in a particular installation. If this equipment does cause harmful interference to radio or television reception, which can be determined by turning the equipment off and on, the user is encouraged to try to correct the interference by one or more of the following measures:

- Reorient or relocate the receiving antenna.
- Increase the separation between the equipment and receiver.
- Connect the equipment into an outlet on a circuit different from that to which the receiver is connected.
- Consult the dealer or an experienced radio/TV technician for help.

Table of contents

Getting Started

- 6 Read this first
- 7 Step 1: Checking the package contents
- 8 Step 2: Setting up the base unit
- 11 Step 3: Preparing the battery pack for the handset

Basics

- 14 Making calls
- 15 Redialing
- 16 Receiving calls
- 17 Adjusting the ringer volume

Advanced Features

- 18 Speed dialing
- 20 Paging

Using as a telephone answering machine

- 21 Setting up the answering machine
- 21 Setting the time and the day of the week
- 22 Recording the greeting
- 23 Selecting the ring time (on the base unit only)
- 24 Selecting the answering mode
- 25 Turning on the answering machine

- 26 Listening to the messages
- 26 To play back the messages
- 27 Adjusting the speaker volume
- 27 Erasing the messages
- 28 Screening calls
- 29 Recording a telephone conversation
- 30 Recording a memo message
- 31 Operating the answering machine from the handset
- 32 Operating the answering machine from a touch-tone phone

Additional Information

- 34 Mounting the base unit on a wall
- 35 Resetting the digital security code
- 36 Notes on power sources
- 36 Maintenance
- 37 Troubleshooting
- 40 Specifications
- 41 Index

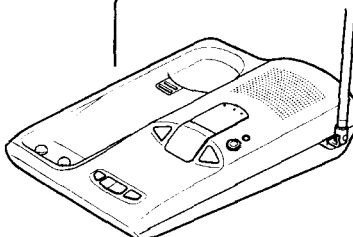
42 LIMITED WARRANTY

Read this first

Before you use your phone, you must set it up. Here's a quick way to set up your phone: Step 1, 2 and 3.

Step 1 (page 7)

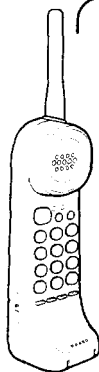
First, unpack the phone and the supplied accessories.



Base unit

Step 2 (page 8 to 10)

Next, you need to do three things to set up the base unit, including finding the best location for the base unit.



Handset

Step 3 (page 11 to 13)

Finally, you need to insert the battery pack into the handset and place the handset on the base unit to charge the battery pack.

That's it!

· About the cordless telephone

The first time you charge the battery pack, a random security code is automatically assigned between the base unit and the handset.

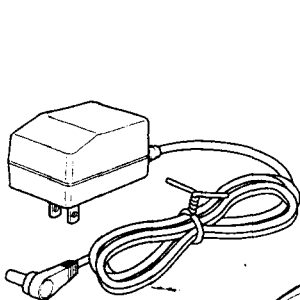
Only a handset which has this unique security code can make calls through the base unit. This system prevents the possibility of other cordless telephone handsets making calls through your base unit.

You can also reset the security code (see page 35).

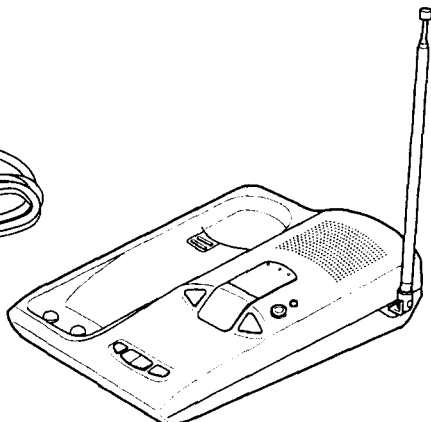
Step 1

Checking the package contents

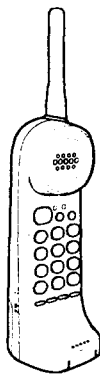
Make sure you have received the following items in the package.
If anything is missing, contact your local Sony dealer.



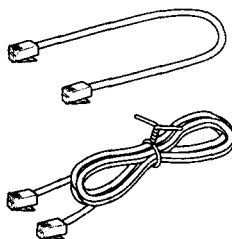
AC power adaptor (AC-T42)



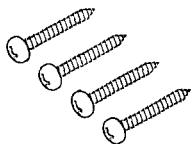
Base unit



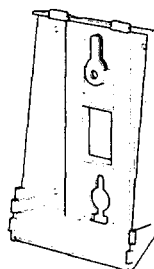
Handset



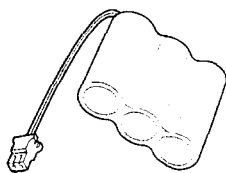
Telephone line cords(2)



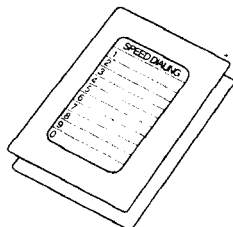
Screws(4)



Wall bracket for base unit



Rechargeable battery pack (BP-T16)



Directories (2)

Getting Started

Step 2

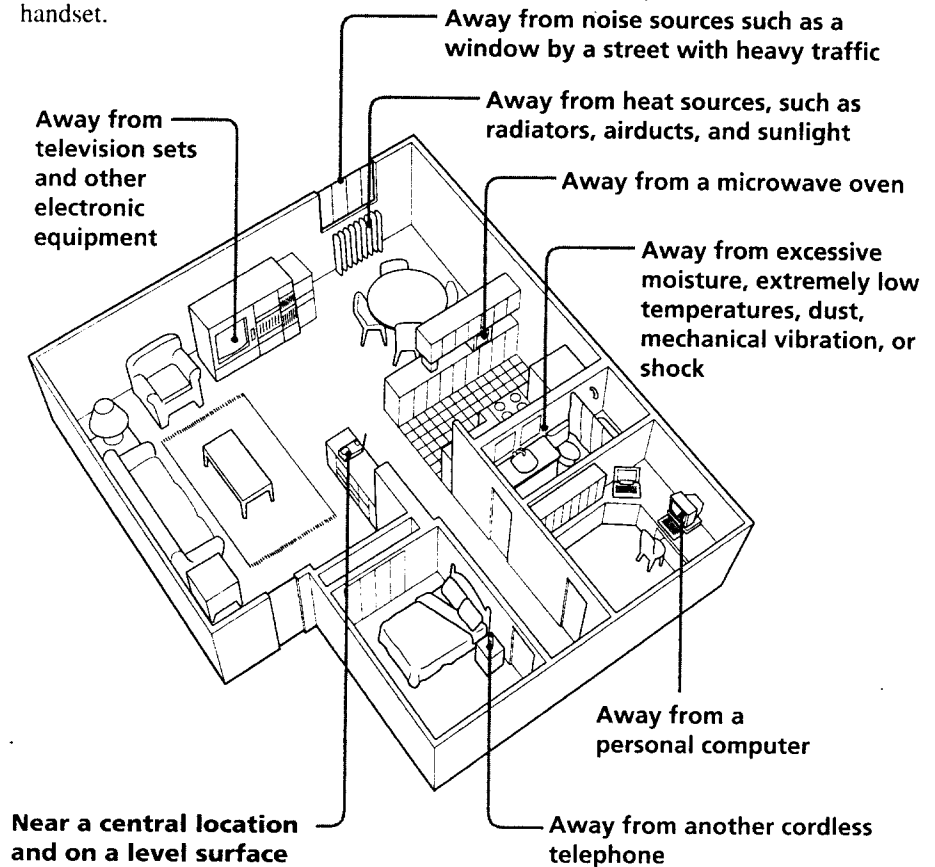
Setting up the base unit

Do the following steps:

- Choose the best location
- Connect the base unit
- Choose the dialing mode

Choose the best location

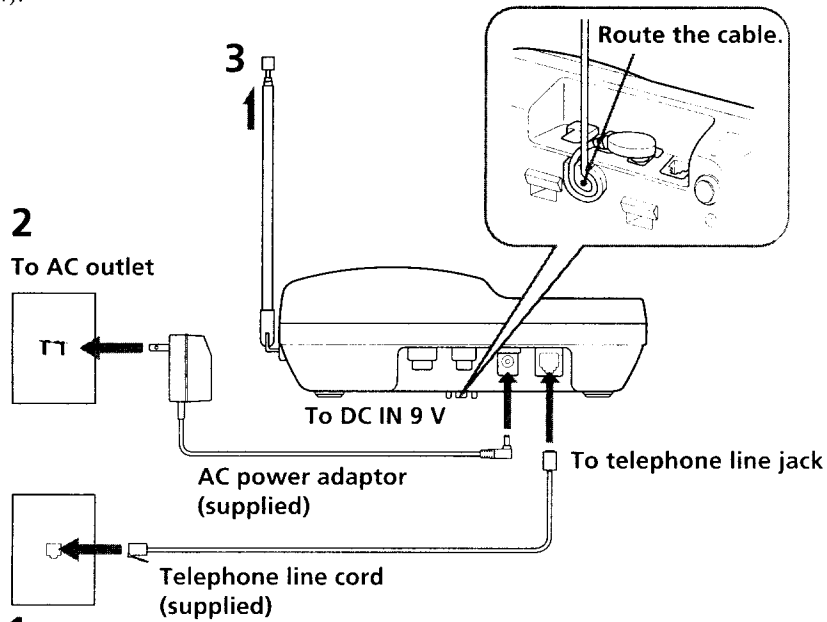
Where you place the base unit affects the reception quality of the handset.



Caution: The cordless telephone operates at a frequency that may cause interference to nearby TVs and VCRs; the base unit should not be placed near or on top of a TV or VCR; and, if interference is experienced, moving the cordless telephone farther away from the TV or VCR will often reduce or eliminate the interference.

Connect the base unit

If you want to hang the base unit on a wall, mount the unit first (see page 34).



1
To telephone outlet

2
To AC outlet

3
1

- 1** Connect the telephone line cord to the telephone line jack and to a telephone outlet.
- 2** Connect the AC power adaptor to the DC IN 9V jack and to an AC outlet.
- 3** Raise the antenna vertically. Fully extend the antenna. Make sure it points toward the ceiling.

Getting Started

continued

Getting Started | 9^{EN}

Step 2: Setting up the base unit (continued)

Notes

- Use only the supplied AC-T42 AC power adaptor.
Do not use any other AC power adaptor.
- Connect the AC power adaptor to a continuous power supply.
- Place the base unit close to the AC outlet so that you can unplug the AC power adaptor easily.

Tips

- If your telephone outlet isn't modular, contact your telephone service company for assistance.
- If you have two phone lines on a single jack with the first phone line connected to center pair of wires, and need to connect the second phone line (outer pair of wires), contact your telephone company for rewiring.

Polarity of the plug



Modular

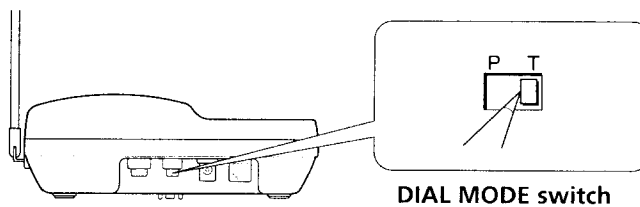


Center pair



Choose the dialing mode

For the telephone to work properly, select an appropriate dialing mode (tone or pulse).



Depending on your dialing system, set the DIAL MODE switch as follows.

| If your dialing system is | Set the switch to |
|---------------------------|-------------------|
| Tone | T |
| Pulse | P |

If you aren't sure of your dialing system

Make a trial call with the DIAL MODE switch set to T.

If the call connects, leave the switch as it is; otherwise, set to P.

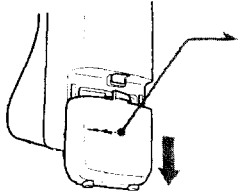
Step 3

Preparing the battery pack for the handset

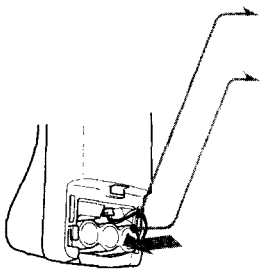
Insert the battery pack into the handset, then place the handset on the base unit.

Insert the battery pack

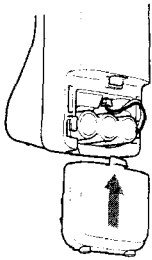
Getting Started



- 1 Slide open the battery compartment lid of the handset.



- 2 Connect the cord of the battery pack correctly.
- 3 Insert the battery pack into the battery compartment.

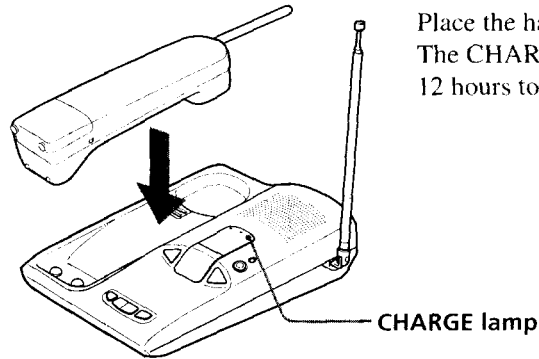


- 4 Replace the battery compartment lid.

continued

Step 3: Preparing the battery pack for the handset (continued)

Charge the battery pack



Place the handset on the base unit.
The CHARGE lamp lights up. It takes about
12 hours to charge the battery pack.

Battery duration

A fully charged battery pack lasts for about:

- 6 hours when you use the handset continuously.
- 14 days when the handset is in standby mode.

You can save the handset battery power by setting the RING ON/
BATT SAVE switch to BATT SAVE. The handset won't ring (see
page 17).

Notes

- The battery pack will gradually discharge over a long period of time, even if not in use.
- The CHARGE lamp of the base unit is always lighted when the handset is placed on the base unit, even if the battery pack has been fully charged.

When to charge the battery pack

As long as the handset is placed on the base unit after each call, the
battery pack will be recharged continuously.

If the handset battery becomes weak

You will hear a beep every three seconds during the conversation.
The call will be disconnected in one minute.

When to purchase a new battery pack

If the battery lasts only a few minutes even after 12 hours of charging, the usable life of the battery has expired and needs replacement.

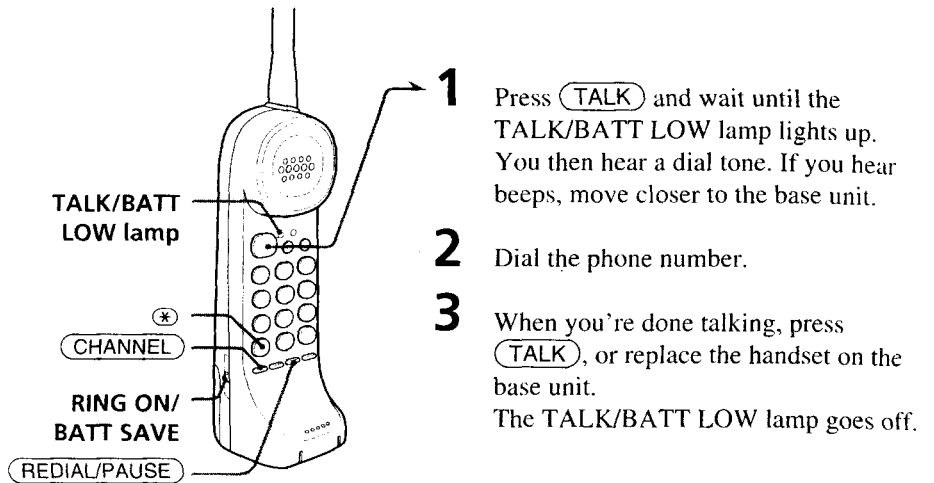
Contact your local Sony authorized dealer or service center, and ask for Sony BP-T16 rechargeable battery pack.

Note

If the handset battery is completely discharged, the digital security code will be erased and all programmed numbers will be lost from memory.

In this case, first recharge the battery for more than 12 hours, then store the numbers into the memory for speed dialing again (see page 18). The digital security code will be automatically set when you replace the handset onto the base unit.

Making calls



Additional tasks

| To | Do this |
|---|--|
| Select better channel (only on the handset) | Press CHANNEL . |
| Switch to tone dialing temporarily | Press TONE * after you're connected. The line will remain in tone dialing until disconnected. |

If the handset battery becomes weak during a call

The handset will beep every three seconds. The call will be disconnected after one minute. Replace the handset on the base unit to charge.

Redialing

- 1 Press **TALK** and wait until the TALK/BATT LOW lamp lights up.
- 2 Press **REDIAL/PAUSE** to redial the number last dialed.

Note

If the number exceeds 32 digits or there is no previous number dialed, the beeps will alert you that the number can't be dialed.

To erase the last phone number dialed

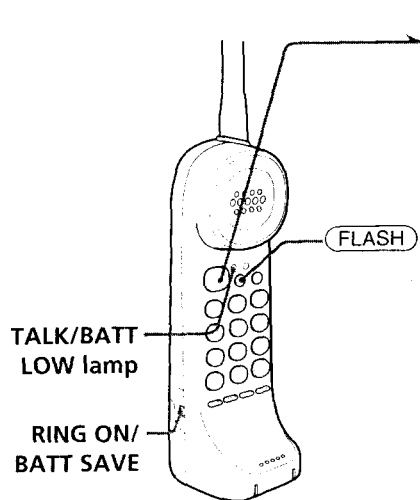
While the telephone isn't in use, press **REDIAL/PAUSE** twice.

The number will be erased from the memory, and you'll hear a long confirmation beep.

Note

Make sure that the RING ON/BATT SAVE switch is set to RING ON for this operation.

Receiving calls



1 When you hear the phone ring, press **TALK** (or any dialing key including * and #). The TALK/BATT LOW lamp lights up.

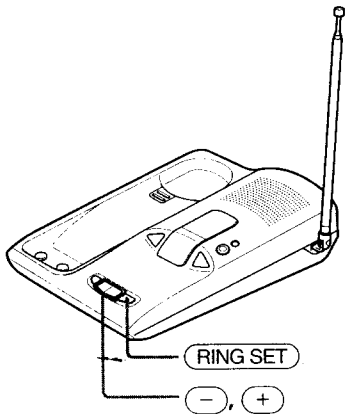
2 When you're done talking, press **TALK**, or replace the handset on the base unit. The TALK/BATT LOW lamp goes off.

Additional tasks

| To | Do this |
|--|---|
| Switch to another call* ("call waiting" service) | Press FLASH . Press the button again to get back to the first caller. |

* You need to subscribe to this service from your telephone company.

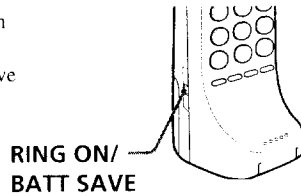
Adjusting the ringer volume



- 1 Press **RING SET**.
- 2 Press **+** or **-** to select "HIGH", "LOW", or "OFF".
- 3 Press **RING SET** twice. You will hear a confirmation beep by each pressing.

Tip

If you can hear the base unit ring on incoming calls, you can make the handset not ring by setting the RING ON/BATT SAVE switch to BATT SAVE. You can still make or receive calls by pressing **TALK**.

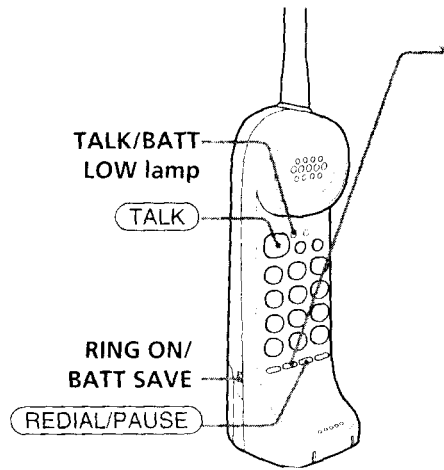


Basics

Speed dialing

You can dial with a touch of a few keys by storing phone number on a dialing key.

Storing phone numbers



- 1** Press **(SPEED DIAL/PGM)**. The TALK/BATT LOW lamp flashes.
- 2** Press one of the dialing keys (0 to 9) for the phone number to be stored.
- 3** Enter the phone number you want to store. You can enter up to 16 digits, including a tone and a pause, each of which is counted as one digit.
- 4** Press **(SPEED DIAL/PGM)**. You hear a long confirmation beep. The TALK/BATT LOW lamp goes off and the number is stored.

Notes

- To store the previous number dialed, press **(REDIAL/PAUSE)** directly after step 2. Then go to step 4. If the number exceeds 16 digits or there is no previous number dialed, five short error beeps sound and storing is canceled.
- Do not allow more than 20 seconds to elapse between each step of the procedure.
- Make sure that RING ON/BATT SAVE switch is set to RING ON.

Tips

- If you enter a wrong number, start from the beginning.
- You can't receive calls while you're storing numbers.

To store a number to be dialed via Private Branch Exchange (PBX)

Before entering a phone number in Step 3 on the previous page, do as follows:

1 Enter the outside line access digit (e.g. 9).

2 Press **REDIAL/PAUSE** to enter a pause.

To change a stored number

Store a new number, as described on the previous page.

Making calls with speed dialing

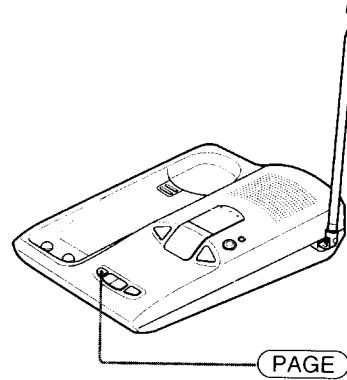
1 Press **TALK** and wait until the TALK/BATT LOW lamp lights up.

2 Press **SPEED DIAL/PGM**.

3 Enter the desired speed dialing number (① to ⑨).
The phone number stored in the speed dialing number will be dialed.

Paging

You can page the handset from the base unit.



Press **PAGE**.

The paging signal is heard from the handset.

When you press **PAGE** for a moment, the paging signal sounds for one second. Or the paging signal sounds continuously as long as you keep pressing **PAGE**.

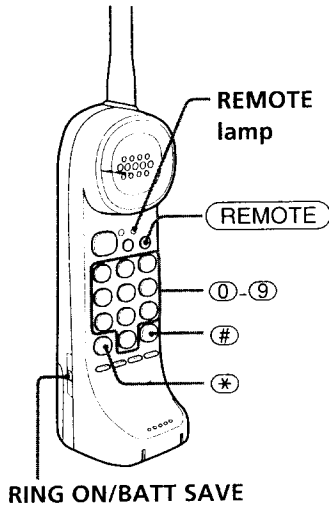
Notes

- If a call comes in during paging, paging is canceled.
- You cannot page when the handset is engaged in conversation.
- If the RING ON/BATT SAVE switch on the handset is set to BATT SAVE, the paging signal doesn't ring.

Setting up the answering machine

As you proceed the operation, you will hear the operation guidance.

Setting the time and the day of the week



- 1 Press **REMOTE**.
The REMOTE lamp lights up. The day of the week, time and new message number are announced.
- 2 Press *****.
- 3 Set the day of the week using the dialing keys.
Sunday - ①, Monday - ②,
Tuesday - ③, Wednesday - ④,
Thursday - ⑤, Friday - ⑥,
Saturday - ⑦
- 4 Set the hour using the dialing keys (①① ... ①②).
To set 3 o'clock, press ①③.
- 5 Set the minutes using the dialing keys (①① ... ⑤⑨).
To set 8 minutes, press ①⑧.
- 6 Set the AM or PM.
To set AM, press *****.
To set PM, press **#**.
A long confirmation beep sounds, and the day of the week, time are announced. The clock starts.
- 7 Press **REMOTE**.
The REMOTE lamp goes off.

Using as a telephone answering machine

Notes

- Make sure that the RING ON/BATT SAVE switch is set to RING ON.
- If two minutes have passed during operation, the setting is canceled. Try again from the beginning.
- During the power interruption, the clock stops. So if this happens, reset the time.

Tip

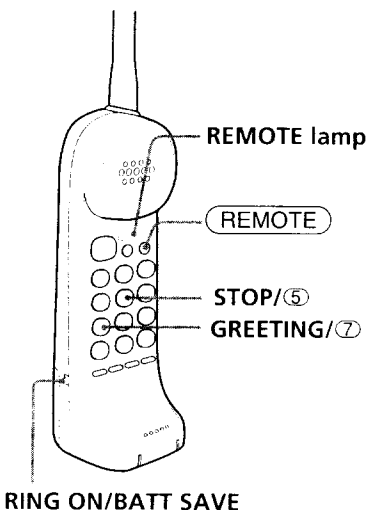
The clock has started when the power cord was first connected.

continued

Setting up the answering machine (continued)

Recording the greeting

You can record your own greeting for the “normal” and “announcement only” mode.



- 1** Press **REMOTE**.
The REMOTE lamp lights up.
- 2** Press **GREETING/7**.
You will hear an operation guidance from the handset.
- 3** Speak into the handset.
You can record up to one minute.
- 4** To stop recording, press **STOP/5**.
A long confirmation beep sounds, and your greeting will be played back.
- 5** Press **REMOTE**.
The REMOTE lamp goes off.

Notes

- Make sure that the RING ON/BATT SAVE switch is set to RING ON.
- If the greeting is shorter than 2 seconds, five short error beeps sound and the greeting is not recorded.
- This answering machine has also prerecorded greeting. You can use following greeting, if you don't record your own greeting.

Tip

To record the greeting from a touch-tone phone, see page 33.

Prerecorded greeting

Normal mode: “Hello, I’m unable to answer your call right now. Please leave your name, number and message after the tone.”

ANN ONLY mode: “Hello, I’m unable to answer your call right now. Please call again, thank you.”

Tip

If you want to record your own “announcement only” greeting, do the above sequence after setting the AUDIBLE ON/OFF - ANN ONLY switch to ANN ONLY (see page 24). Otherwise the “normal” greeting will be recorded.

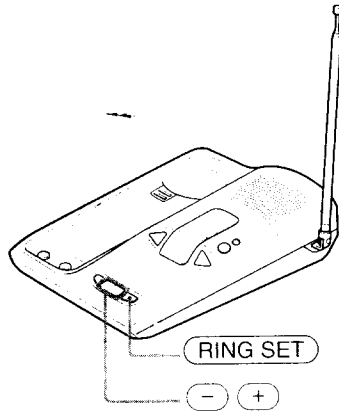
To change the greeting

Do in the same way as described on the previous page. The new greeting replaces the old one. If you record the greeting shorter than 2 seconds, five short error beeps sound and switch to the prerecorded greeting automatically.

Selecting the ring time (on the base unit only)

You can select the number of rings before the phone answers to take a message.

There are three modes: 3, 5, and TS (Toll saver).



- 1** Press **RING SET** twice.
- 2** Press **+** or **-** to select "3 times", "5 times", or "Toll saver".
To answer after 3 rings, select "3 times".
To answer after 5 rings, select "5 times".
Select "Toll saver" to answer after 3 times when there is a new message and after 5 times when there is no new message.
- 3** Press **RING SET**.
You will hear a long confirmation beep.

Note

Do not allow more than 20 seconds to elapse between each step of the procedure.

Using as a telephone
answering machine

continued

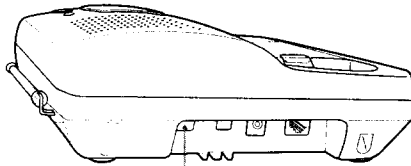
Using as a telephone answering machine | 23^{EN}

Setting up the answering machine (continued)

Selecting the answering mode

You can set the answering machine to record incoming messages (Normal mode), or just to make an announcement without recording messages (Announcement only mode).

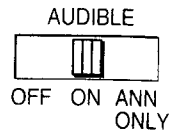
In the normal mode, you also have the option of having a beep to tell you if you have received any new incoming messages.



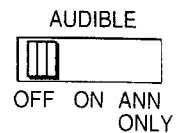
AUDIBLE ON/OFF-
ANN ONLY

To record incoming messages

When you want to have beeps (audible indicator)

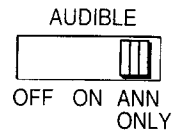


When you do not want to have beeps

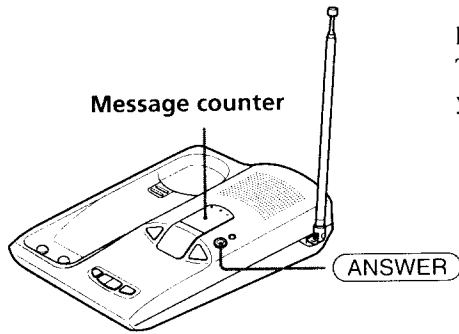


Announcement only

The answering machine does not record incoming messages.



Turning on the answering machine



Press **ANSWER** on the base unit.
The message counter will light up, and
you will hear the answering greeting.

Notes

- If the remaining recording time becomes less than 4 minutes and 30 seconds, the remaining recording time is announced.
- If 4 minutes have passed while recording the incoming message, the line is disconnected automatically.
- If the message is shorter than 2 seconds, the message is not recorded.

Tip

The answering machine will automatically answer a call after 10 rings even if the answering function is off.
The answering function will remain on for all subsequent calls.

To turn off the answering machine

Press **ANSWER**.

The answering machine is turned off and the message counter goes off.

Tip

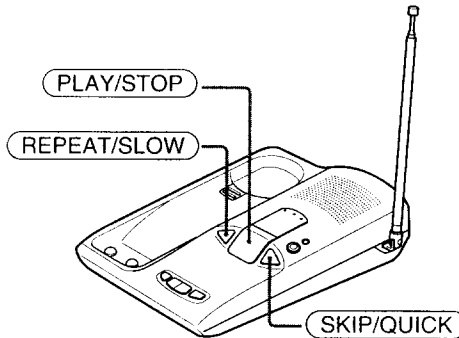
You can turn the answering machine on/off using the handset, too (see page 31).
To turn the answering machine on/off from a touch-tone phone, see page 33.

**Using as a telephone
answering machine**

Listening to the messages

If there are new messages, the number of new messages flash.
You will hear beeps in the AUDIBLE ON mode.

To play back the messages



Press **PLAY/STOP**.
The unit plays back from
the first new message.

Note

If a call comes in during the playback, the playback stops.

Tip

You can also listen to the message by using the handset (see page 31).
To play back the message from a touch-tone phone, see page 33.

To skip the current message

Press **SKIP/QUICK** during playback.

To repeat the current message

Press **REPEAT/SLOW** during playback.

If you press the button again within two seconds after the current message has started, you go to the previous message.

To stop playback

Press **PLAY/STOP**.

To play back quickly

Keep pressing **SKIP/QUICK** during playback.

Release **SKIP/QUICK** to return to normal playback.

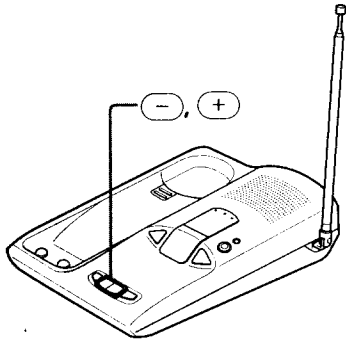
To play back slowly

Keep pressing **REPEAT/SLOW** during playback.

Release **REPEAT/SLOW** to return to normal playback.

26^{EN} | Using as a telephone answering machine

Adjusting the speaker volume



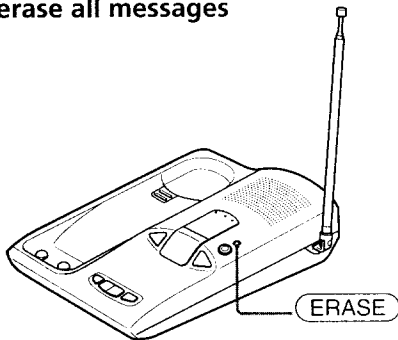
To increase the speaker volume, press (+).
To reduce the speaker volume, press (-).

Note

If the volume level becomes maximum or minimum, three short beeps sound.

Erasing the messages

To erase all messages



Press and hold **ERASE** for one second.
A long confirmation beep sounds and all messages are erased.

Tip

If there are messages which have not been played back yet, you will hear five short error beeps and the guidance.

To erase individual message

During playing back the message you want to erase, press **ERASE**.
A long confirmation beep sounds and the message is erased.

Tip

You can also erase individual message by using the handset (see page 31).
To erase individual message from a touch-tone phone, see page 33.

Using as a telephone
answering machine

Screening calls

You can screen calls by leaving the answering machine on while you are at home. When a call is answered, you can hear the message being recorded through the base unit or the handset. The caller cannot hear the sound from this side during recording. You can then decide either to continue recording or to switch to conversation.

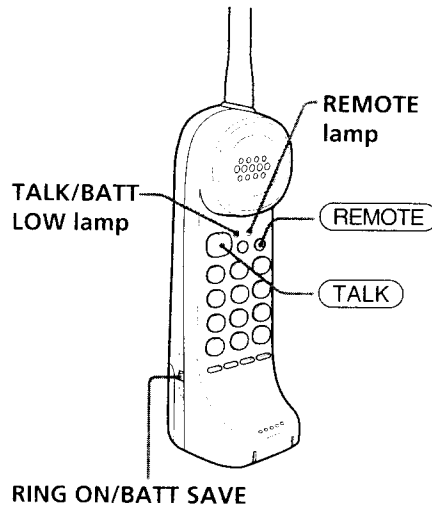
On the base unit

When a call is answered, the base unit's speaker will be turned on automatically. You can listen to the caller's message during recording.

Notes

- If the speaker volume is set to minimum, you cannot screen the calls.
- The greeting cannot be heard from the speaker of the base unit while it is being played.

On the handset



When a call is answered the TALK/BATT LOW and REMOTE lamps flash.

To screen a call, press **REMOTE**. The REMOTE lamp lights up.

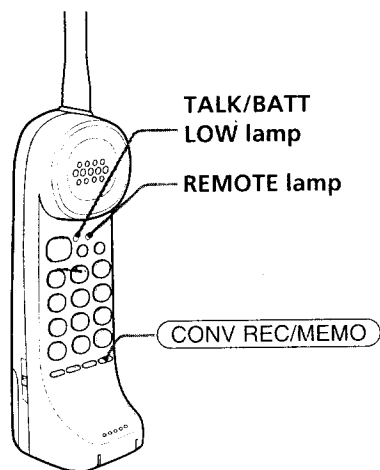
To talk to the caller, press **TALK**. The recording stops.

Note

Make sure that the RING ON/BATT SAVE switch is set to RING ON.

Recording a telephone conversation

When you are making a call on the handset, you can record a telephone conversation.



- 1** During the phone conversation, press **CONV REC/MEMO**. The TALK/BATT LOW and REMOTE lamps light up. The conversation recording starts.
- 2** To stop recording, press **CONV REC/MEMO**. The REMOTE lamp goes off.

Notes

- If 10 minutes have passed or when there is no space to record more messages during recording, the conversation recording will automatically stop and a beep announces you that the recording is stopped. Please be careful that the TALK/BATT LOW lamp doesn't change when the recording stopped automatically.
- If the recording is shorter than two seconds, the recording is canceled.

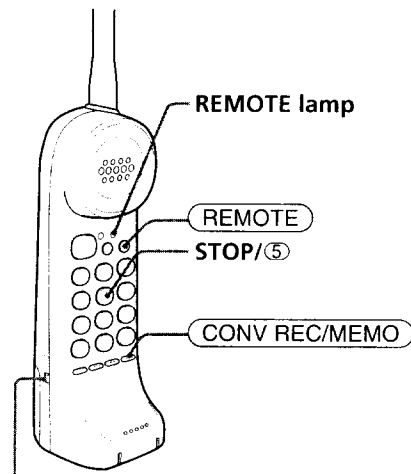
To listen to the recorded conversation

You can listen to the recorded conversation in the same way as for the incoming messages (see page 26).

Using as a telephone answering machine

Recording a memo message

You can leave messages to other users of the unit.



RING ON/BATT SAVE

- 1** Press **REMOTE**.
The REMOTE lamp lights up.
- 2** Press **CONV REC/MEMO**.
- 3** Speak into the handset to record your message.
- 4** Press **STOP/5** to stop recording.
- 5** Press **REMOTE**.
The REMOTE lamp goes off.

Notes

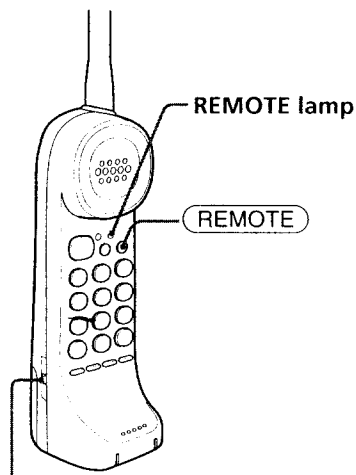
- Make sure that the RING ON/BATT SAVE switch is set to RING ON.
- If the recording is shorter than two seconds, the recording is canceled.
- If a call comes in during recording, the recording is stopped automatically.
- If four minutes have passed or when there is no space to record more messages, the recording will automatically stop.

To listen to the recorded memo message

You can listen to the recorded memo message in the same way as for the incoming messages (see page 26).

Operating the answering machine from the handset

Using the handset, you can operate the answering machine.



- 1** Press **REMOTE**.
The REMOTE lamp lights up.
- 2** Press the keys to the desired control codes within 20 seconds.
- 3** When you finish, press **REMOTE** again.
The REMOTE lamp goes off.

Notes

- Make sure that the RING ON/BATT SAVE switch is set to RING ON.
- If a call comes in during remote operation, the remote operation is canceled.

RING ON/BATT SAVE

Table of control codes

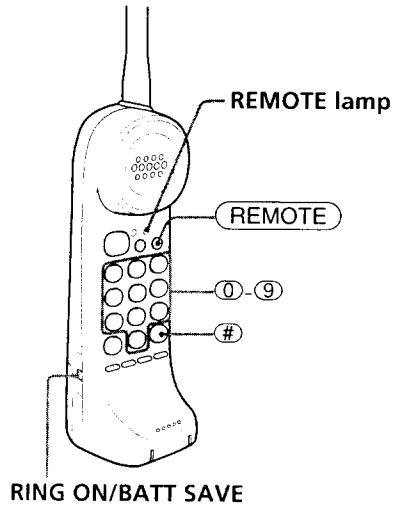
| To | Key | Notes |
|------------------------------|----------------------|--|
| Play back messages | ② | Played back from the first new message |
| Repeat current message | ④ | Press during playback. To repeat the previous message press within two seconds after the current message starts. |
| Stop operation | ⑤ | — |
| Skip current message | ⑥ | Press during playback. |
| Record greeting | ⑦ | See page 22. |
| Record memo message | CONV REC/MEMO | See page 30. |
| Erase individual message | ⑨ | Press during playback. |
| Turn on answering machine | ① | — |
| Set time and day of the week | * * or # | See page 21. |
| Turn off answering machine | # # | — |
| Set security code | # # | See page 32. |

Using as a telephone answering machine

Operating the answering machine from a touch-tone phone

By setting your security code, you can operate the answering machine from a touch-tone phone while you are away from your home.

Setting your security code



- 1** Press **REMOTE**.
The REMOTE lamp lights up.
- 2** Press **#**.
- 3** Press any two digits for security code (**00** — **99**).
- 4** Press **#** again.
A long confirmation beep sounds.
- 5** Press **REMOTE** again.
The REMOTE lamp goes off.

Notes

- Make sure that the RING ON/BATT SAVE switch is set to RING ON.
- If two minutes have passed during setting, the setting is canceled.

If the ring time is set to "Toll-saver"

If any new messages are recorded, the answering machine will answer after three rings. If no new message is recorded, it will answer after five rings.

When you call from a touch-tone phone and hear more than three rings, you will know that there is no new message and you can then hang up, saving you the cost of the call (see page 23).

Operating the answering machine from a touch-tone phone

- 1 Call your phone from a touch-tone phone.
- 2 When you hear the greeting, press **#**, and your security code.
You will hear the announcement of the day of the week, time, and message number.
- 3 Press following keys for the desired operation command.
- 4 When you finish, disconnect the line.

Notes

- Press **#** and security code within two seconds.
- If you enter wrong security codes three times, the line is disconnected.
- If you did not turn on the answering machine, your phone will pick up after 10 rings.

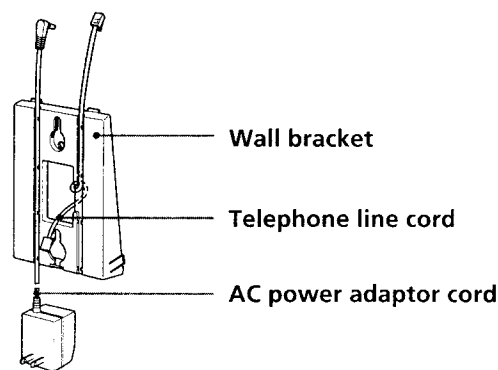
Table of control codes

| To | Key | Notes |
|----------------------------|------------|--|
| Play back messages | # 2 | Played back from the first new message |
| Repeat current message | # 4 | Press during playback. To repeat the previous message press within two seconds after the current message starts. |
| Stop operation | # 5 | — |
| Skip current message | # 6 | Press during playback. |
| Record greeting | * 7 | — |
| Erase individual message | # 9 | Press during playback. |
| Turn on answering machine | * 0 | — |
| Turn off answering machine | # 0 | — |

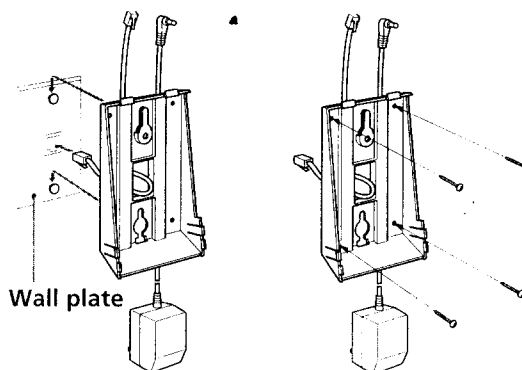
Note

Don't elapse two seconds between each digit of control code.

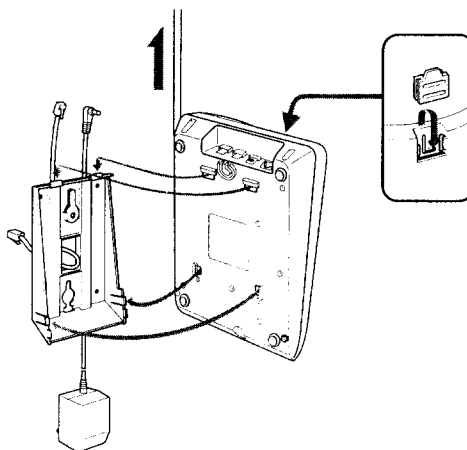
Mounting the base unit on a wall



- 1** Attach the AC power adaptor cord and the telephone line cord to the wall bracket. Use the shorter cord for mounting.



- 2** Hook the wall bracket to the wall plate, and plug the telephone line cord into the telephone outlet. Instead of hooking to the wall plate, you can mount the wall bracket directly using the four supplied screws.

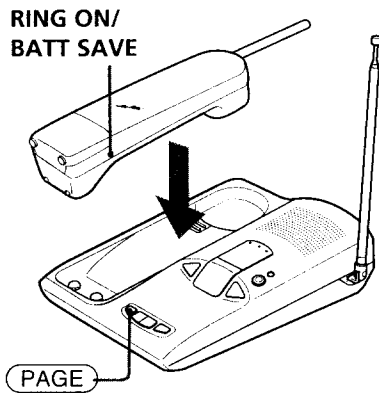


- 3** Insert the upper tabs first, then press down the base unit so that the lower tabs on the bracket go into the base unit. Then, raise the antenna vertically and attach the hang-up tab upside down. Fully extend the antenna.

Resetting the digital security code

Since a random security code is automatically assigned between the base unit and the handset when you charge the battery pack for the first time, you normally do not need to reset the security code.

However, in the unlikely event that you suspect that another cordless phone uses the same security code, you can manually change the code as follows:



- 1** Replace the handset on the base unit.
- 2** Press **PAGE**.
- 3** Lift the handset for more than one second. Then replace the handset on the base unit and keep it for more than three seconds to complete the code change.

Notes

- Make sure that the RING ON/BATT SAVE switch is set to RING ON.
- If the battery pack in the handset is completely discharged, or is removed from the handset for more than several seconds, the digital security code stored will be lost. If this happens, charge the battery pack, and a new security code will be automatically assigned.

Tip

This procedure will change the code in both the base unit and the handset. The code can be changed as often as desired.

Additional Information

Notes on power sources

On battery pack

- Store the battery pack at a temperature between 5°C (41°F) and 35°C (95°F) for best performance.
- If you do not use the handset for a long period of time, remove the battery pack.

On power failure

- During a power interruption, the base unit does not operate, and a phone conversation cannot be made on the handset.

RECYCLING NICKEL-CADMIUM BATTERIES



NICKEL-CADMIUM BATTERY. MUST BE DISPOSED OF PROPERLY.

Ni-Cd

Nickel-Cadmium batteries are recyclable. You can help preserve our environment by returning your unwanted batteries to your nearest Sony Service Center or Factory Service Center for collection, recycling or proper disposal.

Note: In some areas the disposal of nickel-cadmium batteries in household or business trash may be prohibited.

For the Sony Service Center nearest you call 1-800-222-SONY (United States only)

Caution: Do not handle damaged or leaking Nickel-Cadmium batteries.

Maintenance

- Clean the cabinets with a soft cloth slightly moistened with water or a mild detergent solution. Do not use any type of abrasive pad, scouring powder or solvent such as alcohol or benzine as they may damage the finish of the cabinet.
- If the terminals (metal parts on the base unit and the handset) are soiled, wipe them with a soft cloth or paper.

If you have any questions or problems concerning your phone, please consult your nearest Sony dealer.

Troubleshooting

If you've experienced any of the following difficulties while using your phone, use this troubleshooting to help you remedy the problem. Should any problem persist, consult your nearest Sony dealer.

| Symptom | Remedy |
|--|---|
| You hear five short error beeps when you press TALK . | <ul style="list-style-type: none">• Make sure you set up the base unit correctly (page 9).• Move the handset closer to the base unit.• Replace the handset to the base unit for a while to recharge the battery pack. |
| You hear no dial tone. | <ul style="list-style-type: none">• Make sure the telephone line cord is securely connected to the telephone outlet.• Make sure the battery is fully charged (page 12). |
| The telephone always connects with the wrong number or doesn't connect at all, even though the number you dial is correct. | <ul style="list-style-type: none">• Make sure the dialing mode is set correctly (page 10). |
| The phone doesn't redial correctly. | <ul style="list-style-type: none">• Make sure the number you last dialed (including the tone and pause digits, if used) is fewer than 32 digits.• Make sure the last dialed number is really the one you want to dial. |
| You hear interference during conversation. | <ul style="list-style-type: none">• Move the handset closer to the base unit.• Press CHANNEL for a channel that gives better reception.• Place the base unit away from noise sources (page 8). |
| You hear a beep every three seconds. | <ul style="list-style-type: none">• The battery is weak. Charge the battery for more than 12 hours (page 12). |

Making calls

Additional Information

continued

Additional Information | 37^{EN}

Troubleshooting (continued)

| | Symptom | Remedy |
|-----------------|--|--|
| Receiving calls | The handset doesn't ring. | <ul style="list-style-type: none"> Set the RING ON/BATT SAVE switch on the handset to RING ON. The battery may be weak. Charge the battery for more than 12 hours (page 12). Make sure you set up the base unit correctly (page 9). Move the handset closer to the base unit. While you're storing a speed dialing number, you can't receive any calls. Replace the handset to the base unit for a while to recharge the battery pack. |
| | You hear five short beeps and can't store a speed dialing number. | <ul style="list-style-type: none"> Make sure you follow the procedure in storing the number correctly (page 18). Make sure the number (including the tone and pause digits) is fewer than 16 digits. |
| Speed dialing | You hear five short beeps when you try to make a speed dialing call. | <ul style="list-style-type: none"> You entered a dialing key to which no phone number has been stored. |
| | Speed dialing is incorrect. | <ul style="list-style-type: none"> Store a correct number (page 18). |
| Paging | The handset doesn't ring when calling from the base unit. | <ul style="list-style-type: none"> The handset may be engaged in conversation. Set the RING ON/BATT SAVE switch to RING ON. The battery may have little or no power. Charge the battery for more than 12 hours (page 12). Raise the antenna of the base unit vertically and fully extended. Place the base unit away from noise sources (page 8) Move the handset closer to the base unit. |

Answering machine

Power sources/batteries

| Symptom | Remedy |
|---|---|
| Message is not recorded. ("F" is flashing in the message counter.) | <ul style="list-style-type: none"> The remaining recording time is less than one minute or 40 messages were recorded. The answering machine becomes "Announcement only" mode and does not record messages. Erase messages (page 27). |
| No sound from the speaker of the base unit. | <ul style="list-style-type: none"> Adjust the volume (page 27). |
| The caller's message is interrupted. | <ul style="list-style-type: none"> The caller's message is too long. The caller's voice is too low. The unit disconnects the line when it detects seven seconds of silence. |
| The line is disconnected when you call your phone from a touch-tone phone. | <ul style="list-style-type: none"> You entered wrong security codes three times. |
| The clock is incorrect. | <ul style="list-style-type: none"> There was a power interruption. Reset the time (page 21). |
| The CHARGE lamp doesn't light up when you place the handset on the base unit. | <ul style="list-style-type: none"> Clean the charge contact on the base unit and the handset with a dry, soft cloth. |
| The battery pack has a shorter life. | <ul style="list-style-type: none"> The power wasn't continuously supplied to the base unit during charging. The battery pack was charged less than 12 hours (due to power failure, etc.). |
| "E" lights up in the message counter | <p>Disconnect the AC power cord and connect again. If the trouble persists, consult your authorized Sony dealer.</p> |

Additional Information

Specifications

General

Frequency control
Crystal-controlled PLL
Operation mode
FM duplex
Operation frequency
Base unit: 43 – 46 MHz
Handset: 48 – 49 MHz
25 channels
Dial signal
Tone, 10 PPS (pulse) selectable
Supplied accessories
See page 7.

Handset

Power source
Rechargeable battery pack BP-T16
Battery life
Talk time: Approx. 6 hours
Standby: Approx. 14 days
Dimensions
Approx. 2 ³/₈ x 8 x 2 ³/₈ inches (w/h/d),
antenna excluded
(approx. 59 x 203 x 58 mm)
Antenna: 4 inches (100.4 mm)
Mass
Approx. 9 oz (approx. 255 g), battery
included

Base unit

Power source
DC 9 V from AC power adaptor
Battery charging time
Approx. 12 hours
Dimensions
Approx. 6 ¹/₂ x 9 x 2 inches (w/h/d),
antenna excluded
(approx. 164.5 x 228.2 x 51 mm)
Antenna : Approx. 6 ⁷/₈ inches
(approx. 173 mm)
Mass
Approx. 22 oz (approx. 640 g)

Answering machine

Total recording time
About 20 minutes, using Incorporated IC
Greeting message
Up to 1 minute per each
Incoming and Memo message
Up to 4 minutes per message
Conversation recording
Up to 10 minutes

Design and specifications are subject to
change without notice.

Index

A, B

- Answering machine 21
- Answering mode 24
- Adjusting volume
 - ringer volume 17
 - speaker volume 27

Battery pack

- battery save mode 17
- charging 12
- duration 12

C

- Call waiting service 16
- Channel 14
- Connection 9

D, E, F, G, H, I, J, K

- Dialing mode
 - choosing 10
 - switching to the tone temporarily 14
- Digital security code system 35
- Greeting 22

L, M, N, O

- Listening 26
- Location, base unit 8
- Making calls 14
- Mounting the base unit on a wall 34

P, Q

- Package contents 7
- Paging 20
- Playback 26
- Pulse dialing 10

R

- Receiving calls 16
- Recording
 - conversation 29
 - greeting 22
 - memo message 30
- Redialing 15
- Remote operation
 - from handset 31
 - from touch-tone phone 32
- Ring time 23

S

- Screening 28
- Security code 32
- Setting up
 - answering machine 21
 - base unit 8
 - handset 11
- Speed dialing 18

T, U

- Tone dialing 10
 - switching to temporarily 14
- Troubleshooting 37

V, W, X, Y, Z

- Volume
 - ringer 17
 - speaker 27

Additional Information

LIMITED WARRANTY

SONY ELECTRONICS INC. ("SONY") warrants this Product (including any accessories) against defects in material or workmanship as follows:

1. **LABOR:** For a period of one (1) year from the date of purchase, if this Product is determined to be defective, Sony will repair the Product at no charge, or pay the labor charges to any SONY authorized service facility. After the Warranty Period, you must pay for all labor charges.
2. **PARTS:** In addition, SONY will supply, at no charge, new or rebuilt replacements in exchange for defective parts for a period of one (1) year. After the warranty period, you must pay for all parts costs.
3. **ACCESSORIES:** Parts and labor for all accessories are for one (1) year.

To obtain warranty service, you must take the Product, or deliver the Product freight prepaid, in either its original packaging or packaging affording an equal degree of protection, to any authorized SONY service facility.

This warranty does not cover customer instruction, installation, set up adjustments or signal reception problems.

This warranty does not cover cosmetic damage or damage due to acts of God, accident, misuse, abuse, negligence, commercial use, or modification of, or to any part of the Product, including the antenna. This warranty does not cover damage due to improper operation or maintenance, connection to improper voltage supply, or attempted repair by anyone other than a facility authorized by Sony to service the Product. This warranty does not cover Products sold AS IS or WITH ALL FAULTS, or consumables (such as fuses or batteries). This warranty is valid only in the United States.

Proof of purchase in the form of a bill of sale or receipted invoice which is evidence that the unit is within the Warranty period must be presented to obtain warranty service.

This warranty is invalid if the factory applied serial number has been altered or removed from the Product.

REPAIR OR REPLACEMENT AS PROVIDED UNDER THIS WARRANTY IS THE EXCLUSIVE REMEDY OF THE CONSUMER. SONY SHALL NOT BE LIABLE FOR ANY INCIDENTAL OR CONSEQUENTIAL DAMAGES FOR BREACH OF ANY EXPRESS OR IMPLIED WARRANTY ON THIS PRODUCT. EXCEPT TO THE EXTENT PROHIBITED BY APPLICABLE LAW, ANY IMPLIED WARRANTY OF MERCHANTABILITY OR FITNESS FOR A PARTICULAR PURPOSE ON THIS PRODUCT IS LIMITED IN DURATION TO THE DURATION OF THIS WARRANTY.

Some states do not allow the exclusion or limitation of incidental or consequential damages, or allow limitations on how long an implied warranty lasts, so the above limitations or exclusions may not apply to you. In addition, if you enter into a service contract with the Sony Partnership within 90 days of the date of sale, the limitation on how long an implied warranty lasts does not apply to you. This warranty gives you specific legal rights, and you may have other rights which vary from state to state.

FOR FREQUENTLY CALLED TELEPHONE NUMBERS, PLEASE SEE THE BACK COVER

Registro del propietario

Los números de modelo y de serie se encuentran en la base del teléfono. Anote el número de serie en el espacio provisto a continuación. Refiérase a estos números cada vez que se comunique con su distribuidor Sony con respecto al producto.

Modelo N° SPP-AQ500

Serie N° _____

IMPORTANTES INSTRUCCIONES DE SEGURIDAD

A fin de reducir el riesgo de incendio, shock eléctrico y lesiones a las personas cuando usted use su equipo telefónico, siempre debe observar precauciones básicas de seguridad, entre ellas:

1. Lea y entienda todas las instrucciones.
2. Siga todas las advertencias e instrucciones indicadas en el producto.
3. Desconecte este producto del tomacorriente de pared antes de limpiarlo. No use limpiadores líquidos ni en aerosol. Use un paño húmedo para limpiarlo.
4. No use este producto cerca del agua, por ejemplo, cerca de una bañera, lavamanos, fregadero de cocina o batea, en un sótano mojado ni cerca de una piscina.
5. No ponga este producto sobre un carrito, estante o mesa inestable. El aparato puede caer y ocasionar daños graves al teléfono.
6. Las ranuras y aberturas en el gabinete y en la parte trasera o el fondo del aparato se proporcionan a fines de ventilación. Para evitar que el aparato se sobrecaliente, dichas aberturas no deben obturarse ni cubrirse. Las aberturas nunca deben bloquearse colocando el aparato sobre la cama, sofá, alfombra u otra superficie similar. Este producto nunca debe colocarse cerca de, ni sobre un radiador o registro de calefacción. Este producto no debe colocarse en una instalación empotrada salvo que se provea ventilación apropiada.
7. Este producto sólo debe operarse desde el tipo de fuente de alimentación indicada en la etiqueta de especificaciones. Si no está seguro del tipo de fuente de alimentación en su hogar, consulte con su distribuidor o compañía de electricidad local.
8. No deje que nada descansa sobre el cable eléctrico. No sitúe este producto en un lugar donde el cable esté expuesto a abuso debido al tránsito de la gente.
9. No sobrecargue los tomacorrientes de pared y cables de extensión, ya que esto puede ocasionar el riesgo de incendio o shock eléctrico.
10. Nunca introduzca a presión objetos de ningún tipo en este producto a través de las ranuras del gabinete, ya que pueden hacer contacto con un punto de voltaje peligroso u ocasionar un cortocircuito entre piezas que podría conducir a incendios o shock eléctrico. Nunca derrame líquidos de ningún tipo sobre el producto.
11. Para reducir el riesgo de shock eléctrico, no desarme este producto; en caso de necesitarse servicio o reparación, llévelo a personal de servicio calificado. El abrir o quitar las tapas puede exponerle a voltaje peligroso u otros riesgos. El

reensamblaje incorrecto puede ocasionar shock eléctrico cuando el aparato se use posteriormente.

12. Desconecte este producto del tomacorriente de pared y refiera el servicio a personal de servicio calificado bajo las siguientes condiciones:
 - A. Cuando el cable eléctrico o enchufe se encuentra dañado o deshilachado.
 - B. Si se ha derramado líquido dentro del producto.
 - C. Si el producto ha estado expuesto a lluvia o agua.
 - D. Si el producto no opera normalmente al seguir las instrucciones de operación. Sólo debe ajustar los controles incluidos en las instrucciones de operación, ya que el ajuste incorrecto de otros controles puede producir daños y a menudo exigirá trabajo extenso por un técnico calificado para restaurar el producto a las operaciones normales.
 - E. Si el producto se ha dejado caer o el gabinete está dañado.
 - F. Si el producto exhibe un cambio perceptible de operación.
13. Evite usar un teléfono (que no sea del tipo sin cordones) durante una tormenta eléctrica. Existe la remota posibilidad de shock eléctrico debido a rayos.
14. Para notificar una fuga de gas, no utilice el teléfono en la vecindad de dicha fuga.

GUARDE ESTAS INSTRUCCIONES

PRECAUCIÓN:

PARA REDUCIR EL RIESGO DE INCENDIO O LESIÓN A PERSONAS DEBIDO A LA PILA. LEA Y SIGA ESTAS INSTRUCCIONES:

1. Sólo debe utilizar un bloque de pilas del

siguiente tipo y tamaño: SONY BP-T16

2. No deseche el bloque de pilas en una hoguera ya que la pila puede explotar. Compruebe los códigos locales sobre posibles instrucciones especiales de desecho.
3. No abra ni mutile el bloque de pilas. El electrolito liberado es corrosivo y puede ocasionar daños a los ojos o la piel. Puede ser tóxico si se ingiere.
4. Tenga cuidado al manejar la pila a fin de evitar cortocircuitos de la pila con materiales conductores tales como anillos, pulseras y llaves. La pila o el conductor puede sobrecalentarse y ocasionar quemaduras.
5. Sólo debe cargar el bloque de pilas suministrado o identificado para uso con este producto de acuerdo con las instrucciones y limitaciones especificadas en el manual de instrucciones correspondiente al producto.
6. Observe la orientación de polaridad correcta entre el bloque de pilas y el cargador de pilas.
7. No utilice pilas nuevas junto con otras viejas en este producto.
8. No mezcle pilas de diferentes tamaños o de diferentes fabricantes en este producto.

E

INFORMACIÓN GENERAL SOBRE LOS TELÉFONOS

1. Este equipo está de acuerdo con la Parte 68 de las reglas de la FCC. En la base de este equipo hay una etiqueta que contiene, entre otra información, el número de registro de la FCC y el número de equivalencia de generador de llamada REN para este equipo. Cuando se solicite, esta información deberá ofrecerse a la compañía telefónica.
2. La toma conector de registro aplicable para su equipo es USOC-RJ11C.
3. Este equipo ha sido diseñado para conectarse a la red telefónica o la de un usuario utilizando una toma modular compatible que esté de acuerdo con la Parte 68 de la FCC. Con este equipo se suministran un cable y una clavija modular que están de acuerdo con las normas de la FCC.
4. El REN se utiliza para determinar la cantidad de dispositivos que podrán conectarse a la línea telefónica. El exceso de REN conectados a la línea telefónica puede resultar en que los dispositivos no contesten a llamadas entrantes. En la mayoría de las zonas, no en todas, la suma de REN no deberá ser superior a cinco (5, 0).

3E

Para enterarse del número total de REN que pueden conectarse a una línea, póngase en contacto con la compañía telefónica.

5. Si su equipo SPP-AQ500 produce daños en la red telefónica, la compañía telefónica le notificará con antelación que es posible que se requiera la interrupción temporal del servicio. Pero si la notificación con antelación no es práctica, la compañía telefónica lo notificará al cliente lo antes posible. Además, se le notificará el derecho a realizar una reclamación a la FCC si usted lo considera necesario.
6. La compañía telefónica puede realizar cambios en sus instalaciones, equipos, operaciones, o procedimientos que pueden afectar la operación del equipo. Cuando suceda esto, la compañía telefónica le avisará con antelación para que usted realice las modificaciones necesarias para mantener ininterrumpido el servicio.
7. Si experimenta algún problema con este equipo SPP-AQ500, con respecto a la reparación o a la información sobre la garantía, póngase en contacto con Sony Direct Response Center: Tel 1-800-222-7669 Inglés solamente. Si el equipo causa problemas en la línea, la compañía telefónica puede solicitarle que desconecte el equipo hasta que se resuelva el problema.
8. Todas las reparaciones deberá realizarlas un centro de reparaciones Sony.
9. Este equipo no deberá utilizarse en líneas compartidas ni en líneas de pago previo.
10. Este equipo es compatible con dispositivos para ayuda al oído.

Si su teléfono dispone de marcadores automáticos

Cuando programe números de emergencia y (o) realice llamadas de prueba a los mismos.

1. Permanezca poco tiempo en la línea y explique a la otra parte la razón de la llamada.
2. Realice tales actividades en horas de poco tráfico, como por la mañana temprano o a últimas horas de la tarde.

PRECAUCIÓN

Se le advierte que cualquier cambio o modificación no aprobado expresamente en el presente manual podría anular su autorización para operar este equipo.

Noticia importante

Advertencia: Este teléfono funciona como radiotransmisor. Las conversaciones sostenidas con este teléfono sin cordones pueden ser escuchadas por terceros en equipos de radio dentro del área de su alcance de transmisión.

Nota

Este equipo ha sido probado y encontrado que cumple con los límites para los dispositivos digitales de la clase B, según el apartado 15 de las reglamentaciones de la FCC. Estos límites están designados para proveer una protección razonable contra interferencias dañinas en una instalación residencial. Este equipo genera, utiliza y puede irradiar energía de radiofrecuencia y, si no se instala y emplea de acuerdo con las instrucciones, puede causar interferencia perjudicial en la radiocomunicación. Sin embargo, no hay ninguna garantía de que no se produzcan interferencias en una instalación particular. Si este equipo produce una interferencia perjudicial en la recepción de radio o televisión, lo cual podrá determinarse conectando y desconectando la alimentación del equipo, el usuario tendrá que tratar de corregir dicha interferencia tomando una o algunas de las siguientes medidas:

- Reoriente o reubique la antena receptora.
- Aumente la separación entre el equipo y el receptor.
- Conecte el equipo a un tomacorriente de un circuito diferente al que está conectado el receptor.
- Consulte a su proveedor o un técnico experimentado de radio/TV para solicitar ayuda.

Índice

Preparativos

- 6 **Lea lo siguiente en primer lugar**
- 7 Paso 1: Comprobación del contenido del paquete
- 8 Paso 2: Instalación de la unidad base
- 11 Paso 3: Preparación de la batería para el teléfono inalámbrico

Operaciones básicas

- 14 **Realización de llamadas**
- 15 Marcación repetida
- 16 **Recepción de llamadas**
- 17 Ajuste del volumen del generador de llamadas

Funciones avanzadas

- 18 Marcación rápida
- 20 Búsqueda del teléfono inalámbrico

Utilización como contestador de llamadas

- 21 **Preparativos del contestador de llamadas**
- 21 Ajuste de la hora y el día de la semana
- 22 Grabación de un mensaje de contestación
- 23 Selección del número de tonos de llamada (sólo en la unidad base)

- 24 Selección del modo de contestación
- 25 Activación del contestador de llamadas
- 26 **Para escuchar mensajes**
- 26 Reproducción de mensajes
- 27 Ajuste del volumen del altavoz
- 27 Borrado de los mensajes
- 28 Selección de las llamadas
- 29 Grabación de una conversación telefónica
- 30 Grabación de un mensaje de memorando
- 31 Operación del contestador de llamadas desde el teléfono inalámbrico
- 32 Operación del contestador de llamadas desde un teléfono de teclado

Información adicional

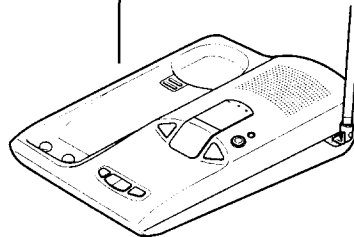
- 34 Montaje de la unidad base en la pared
- 35 Reajuste del código de seguridad digital
- 36 Notas sobre las fuentes de alimentación
- 36 Mantenimiento
- 37 Solución de problemas
- 40 Especificaciones
- 41 **Índice alfabético**
- 42 **GARANTÍA LIMITADA**

Lea lo siguiente en primer lugar

Antes de utilizar el teléfono, es preciso instalarlo. A continuación se describe una forma rápida de instalación: Pasos 1, 2 y 3.

Paso 1 (página 7)

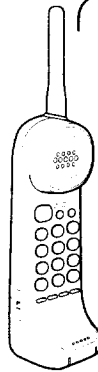
En primer lugar, desembale el teléfono y los accesorios suministrados.



Unidad base

Paso 2 (páginas 8 a 10)

A continuación, es preciso realizar tres acciones para instalar la unidad base, que incluyen la búsqueda del lugar idóneo para la unidad base.



Teléfono inalámbrico

Paso 3 (páginas 11 a 13)

Finalmente, es preciso insertar la batería en el teléfono inalámbrico y colocarlo sobre la unidad base para cargar la batería.

¡Listo!

Sobre el teléfono inalámbrico

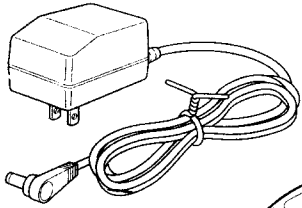
La primera vez que cargue la batería, se asignará automáticamente un código de seguridad aleatorio entre la unidad base y el teléfono inalámbrico. Solamente el teléfono inalámbrico que posea este código particular podrá realizar llamadas a través de la unidad base. Este sistema prevendrá la posibilidad de que otro teléfono inalámbrico efectúe llamadas a través de su unidad base. El código de seguridad puede reajustarse (consulte la página 35).

Paso 1

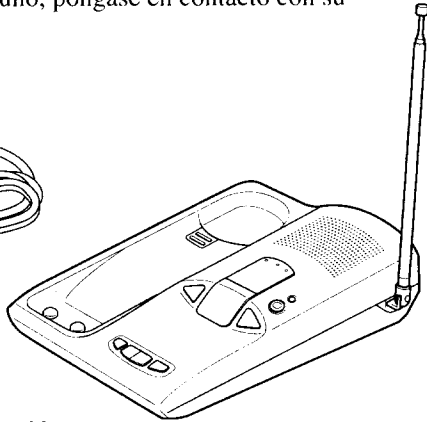
Comprobación del contenido del paquete

Compruebe que ha recibido los siguientes elementos en el paquete. Si falta alguno, póngase en contacto con su proveedor Sony local.

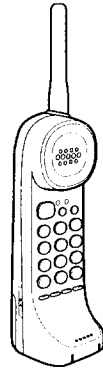
Preparativos



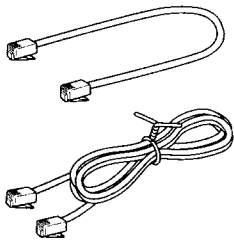
Adaptador de alimentación de CA (AC-T42)



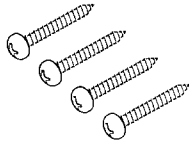
Unidad base



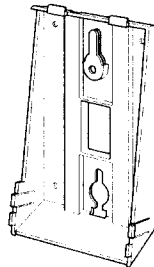
Teléfono inalámbrico



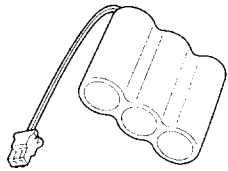
Cables de línea telefónica (2)



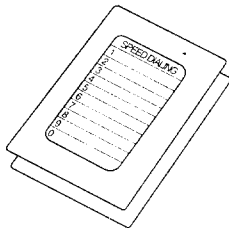
Tornillos (4)



Soporte de pared para la unidad base



Batería (BP-T16)



Directorios (2)

Preparativos | 7^e

Paso 2

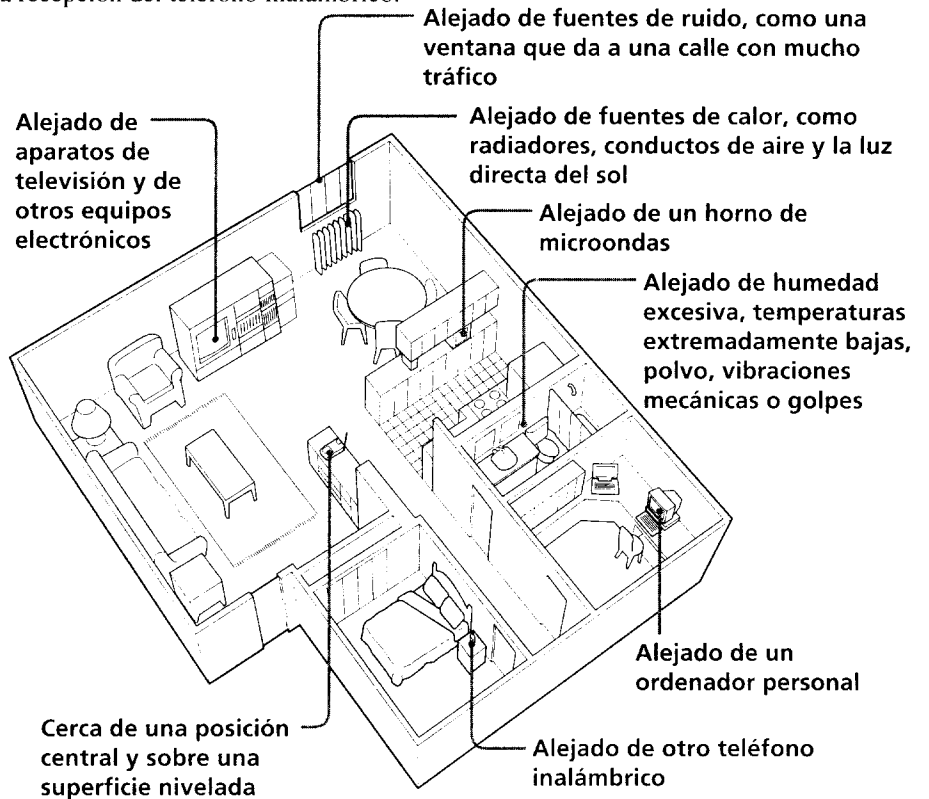
Instalación de la unidad base

Realice los siguientes pasos:

- Elija el lugar idóneo de instalación.
- Conecte la unidad base.
- Elija el modo de marcación.

Elección del lugar idóneo de instalación

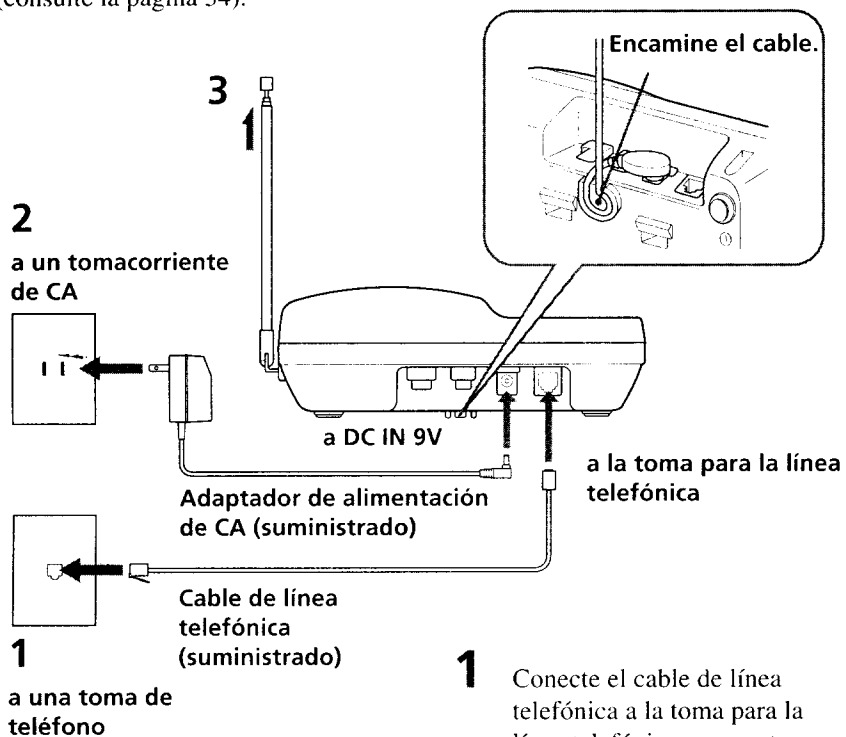
El lugar elegido para instalar la unidad base influye en la calidad de la recepción del teléfono inalámbrico.



Precaución: Los teléfonos inalámbricos funcionan a una frecuencia que podría producir interferencias en televisores y videograbadoras cercanas; por lo tanto, la unidad base no deberá colocarse cerca o sobre un televisor o una videograbadora. Cuando se produzcan interferencias, podrá reducir o eliminarlas alejando el teléfono inalámbrico del televisor o la videograbadora.

Conexión de la unidad base

Si desea colgar la unidad base en la pared, monte primero la unidad base (consulte la página 34).



- 1 Conecte el cable de línea telefónica a la toma para la línea telefónica y a una toma de teléfono.
- 2 Conecte el adaptador de alimentación de CA a la toma DC IN 9V y a un tomacorriente de CA.
- 3 Levante la antena verticalmente. Extiéndala completamente. Asegúrese de que haya quedado apuntando hacia el techo.

continúa

Paso 2: Instalación de la unidad base (continuación)

Notas

- Utilice sólo el adaptador de alimentación de CA AC-T42 suministrado. No emplee ningún otro adaptador.
- Conecte el adaptador de alimentación de CA a un suministro de alimentación continua.
- Coloque la unidad base cerca del tomacorriente de CA de manera que pueda desconectar fácilmente el adaptador de alimentación de CA.

Consejos

- Si la toma de teléfono no es modular, póngase en contacto con su compañía telefónica para solicitar asistencia técnica.
- Si dispone de dos líneas telefónicas en una sola toma con la primera línea conectada al par de hilos central y necesita conectar la segunda línea (par de hilos exteriores), póngase en contacto con su compañía telefónica para solicitar una modificación del cableado.

Polaridad de la clavija



Modular

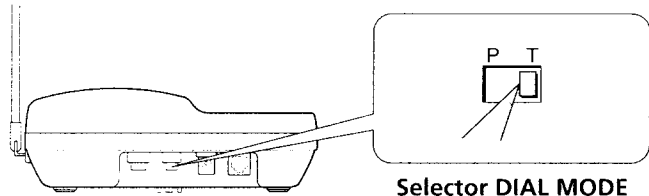


Par central



Selección del modo de marcación

Para que el teléfono funcione correctamente, seleccione el modo de marcación apropiado (por tonos o pulsos).



Selector DIAL MODE

Dependiendo del sistema de marcación de su teléfono, ajuste el selector DIAL MODE como se indica a continuación.

| Sistema de marcación por | Ponga el selector en |
|--------------------------|----------------------|
| Tonos | T |
| Pulsos | P |

Si no conoce el sistema de marcación de su teléfono

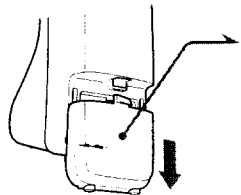
Realice una llamada de prueba con el selector DIAL MODE en T. Si la llamada se conecta, déjelo en dicha posición; de lo contrario, póngalo en P.

Paso 3

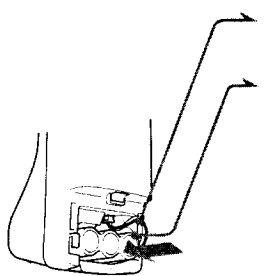
Preparación de la batería para el teléfono inalámbrico

Inserte la batería en el teléfono inalámbrico, y después coloque el teléfono inalámbrico sobre la unidad base.

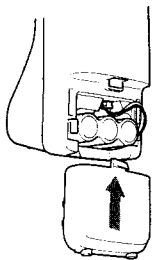
Colocación de la batería



- 1 Deslice y abra la tapa del compartimiento de la batería del teléfono inalámbrico.



- 2 Conecte correctamente el cable de la batería.
- 3 Inserte la batería en el compartimiento de la misma.



- 4 Cierre la tapa.

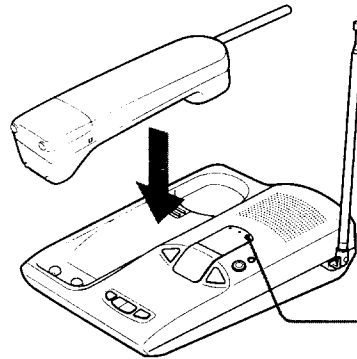
continúa

Preparativos | 11^E

Preparativos

Paso 3: Preparación de la batería para el teléfono inalámbrico (continuación)

Carga de la batería



Coloque el teléfono inalámbrico sobre la unidad base.
Se encenderá el indicador CHARGE. Tardará unas 12 horas en cargarse.

Duración de la batería

Una batería completamente cargada dura aproximadamente:

- 6 horas si utiliza el teléfono inalámbrico de forma continua.
- 14 días si el teléfono inalámbrico permanece en el modo de espera.

Usted podrá ahorrar energía de la batería del teléfono inalámbrico poniendo el selector RING ON/BATT SAVE en BATT SAVE. El teléfono inalámbrico no sonará (consulte la página 17).

Notas

- La batería se descargará gradualmente con el tiempo aunque no la utilice.
- El indicador CHARGE de la unidad base permanecerá encendido mientras el teléfono inalámbrico esté sobre la unidad base, aunque la batería haya sido cargada completamente.

Cuándo cargar la batería

Mientras coloque el teléfono inalámbrico sobre la unidad base después de cada llamada, la batería se recargará continuamente.

Si la batería del teléfono inalámbrico se debilita

Oirá un pitido cada tres segundos durante la conversación.

La llamada se desconectará después de un minuto.

Cuándo adquirir una nueva batería

Si la batería dura sólo unos minutos después de haberla cargado durante 12 horas, significa que se ha agotado la duración útil de esta batería y es preciso reemplazarla.

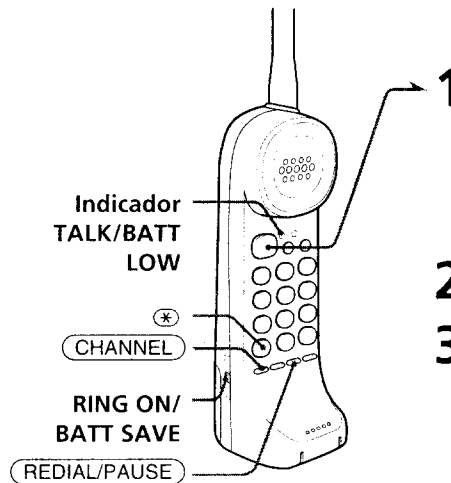
Póngase en contacto con su proveedor autorizado o centro de asistencia técnica local Sony y solicite una batería BP-T16 Sony.

Nota

Si la batería del teléfono inalámbrico se descarga completamente, el código de seguridad digital se borrará y todos los números programados se borrarán de la memoria.

En este caso, primero cargue la batería durante más de 12 horas, y después vuelva a almacenar los números en la memoria para la marcación rápida (consulte la página 18). El código de seguridad digital se establecerá automáticamente cuando coloque el teléfono inalámbrico sobre la unidad base.

Realización de llamadas



1 Pulse **TALK** y espere hasta que se encienda el indicador TALK/BATT LOW. A continuación, oirá un tono de marcación. Si oye pitidos, acérquese a la unidad base.

2 Marque el número de teléfono.

3 Cuando termine de hablar, pulse **TALK** o coloque el teléfono inalámbrico sobre la unidad base. El indicador TALK/BATT LOW se apagará.

Tareas adicionales

| Para | Realice lo siguiente |
|--|--|
| Seleccionar un canal mejor (sólo en el teléfono inalámbrico) | Pulse CHANNEL . |
| Cambiar temporalmente a la marcación por tonos | Pulse TONE Ⓢ después de conectarse. La línea permanecerá en el modo de marcación por tonos hasta que se desconecte. |

Si la batería del teléfono inalámbrico se debilita durante una llamada

El teléfono inalámbrico emitirá un pitido cada tres segundos. La llamada se desconectará dentro de un minuto. Coloque el teléfono inalámbrico sobre la unidad base para cargar la batería.

Marcación repetida

1 Pulse **TALK** y espere hasta que se ilumine el indicador TALK/BATT LOW.

2 Pulse **REDIAL/PAUSE** para volver a marcar el último número marcado.

Nota

Si el número es superior a 32 dígitos o cuando no haya ningún número marcado, los pitidos advertirán que no es posible marcar dicho número.

Para borrar el último número de teléfono marcado

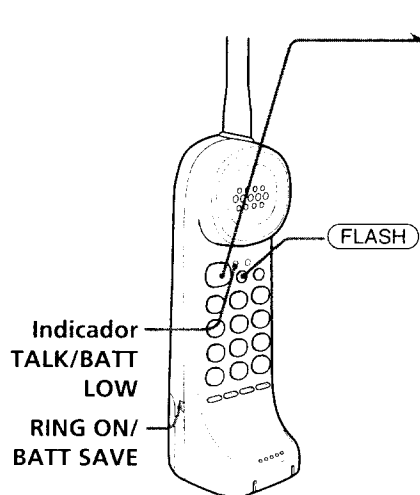
Pulse dos veces **REDIAL/PAUSE** cuando no utilice el teléfono.

El número se borrará de la memoria y oirá un pitido largo de confirmación.

Nota

Cerciórese de que el selector RING ON/BATT SAVE esté en RING ON para esta operación.

Recepción de llamadas



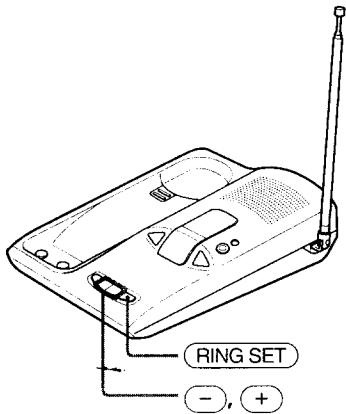
- 1** Cuando suene el teléfono, pulse **TALK** (o cualquier tecla de marcación incluyendo * y #). Se encenderá el indicador TALK/BATT LOW.
- 2** Cuando termine de hablar, pulse **TALK** o coloque el teléfono inalámbrico sobre la unidad base. El indicador TALK/BATT LOW se apagará.

Tareas adicionales

| Para | Realice lo siguiente |
|---|--|
| Cambiar a otra llamada* (servicio de "llamada en espera") | Pulse FLASH . Vuelva a pulsar esta tecla para volver al primer interlocutor. |

* Para utilizar este servicio, es necesario abonarse en su compañía telefónica.

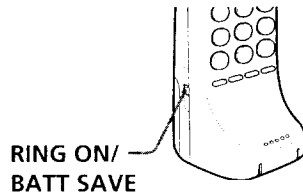
Ajuste del volumen del generador de llamadas



- 1 Pulse **RING SET**.
- 2 Pulse **+** o **-** para seleccionar "HIGH"(alto), "LOW"(bajo) u "OFF"(desactivación).
- 3 Pulse dos veces **RING SET**. Oirá un pitido de confirmación cada vez que presione la tecla.

Consejo

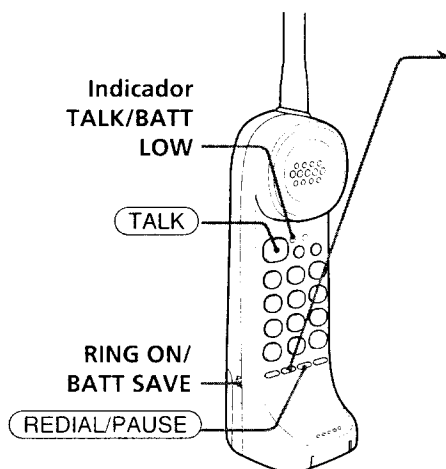
Cuando pueda oír la señal de la unidad base al recibir una llamada, podrá hacer que el teléfono inalámbrico no suene ajustando el selector RING ON/BATT SAVE a BATT SAVE. En este caso, podrá realizar o recibir llamadas presionando **TALK**.



Marcación rápida

Usted podrá marcar un número de teléfono pulsando sólo unas teclas después de almacenar el número de teléfono en una tecla de marcación.

Almacenamiento de números de teléfono



- 1** Pulse **SPEED DIAL/PGM**. Parpadeará el indicador TALK/BATT LOW.
- 2** Pulse una de las teclas de marcación (de 0 a 9) para almacenar un número de teléfono.
- 3** Introduzca el número de teléfono que desee almacenar. Es posible introducir hasta 16 dígitos, incluidos un tono y una pausa, cada uno de los cuales se cuentan como un dígito.
- 4** Pulse **SPEED DIAL/PGM**. Oirá un pitido largo de confirmación. El indicador TALK/BATT LOW se apagará y el número habrá quedado almacenado.

Notas

- Para almacenar el número previamente marcado, presione directamente **REDIAL/PAUSE** después del paso 2 y después pase al paso 4. Cuando el número sea de más de 16 dígitos o no haya un número previamente marcado, sonarán cinco pitidos cortos de error y el almacenamiento se cancelará.
- No deje que transcurran más de 20 segundos entre cada paso del procedimiento.
- Cerciórese de que el selector RING ON/BATT SAVE esté en la posición RING ON.

Consejos

- Si introduce un número erróneo, comience desde el principio.
- No es posible recibir llamadas mientras esté almacenando números.

Para almacenar un número para marcarlo mediante la función de tablero conmutador de abonado (PBX)

Antes de introducir un número de teléfono en el paso 3 de la página anterior, realice lo siguiente:

- 1 Introduzca el dígito de acceso a la línea exterior (ejemplo 9).
- 2 Pulse **REDIAL/PAUSE** para introducir una pausa.

Para cambiar el número almacenado

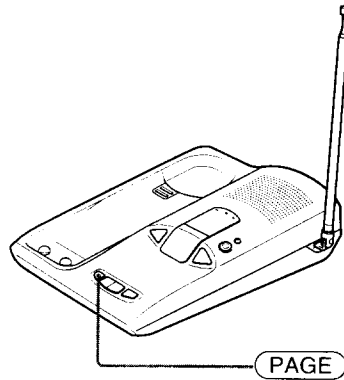
Almacene un nuevo número como se describe en la página anterior.

Realización de llamadas con la función de marcación rápida

- 1 Pulse **TALK** y espere hasta que el indicador TALK/BATT LOW se ilumine.
- 2 Pulse **SPEED DIAL/PGM**.
- 3 Introduzca el número de marcación rápida que desee (① a ⑨).
El número de teléfono almacenado en el número de marcación rápida se marcará.

Búsqueda del teléfono inalámbrico

Usted podrá buscar el teléfono inalámbrico desde la unidad base.



Pulse **PAGE**.

La señal de búsqueda se oirá a través del teléfono inalámbrico.

Si presiona un momento **PAGE**, la señal de búsqueda se oirá durante un segundo y si mantiene presionada **PAGE**, podrá oír continuamente la señal durante la presión de la tecla.

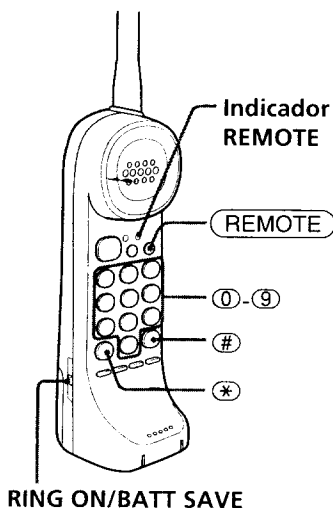
Notas

- Si se recibe una llamada durante la búsqueda del teléfono inalámbrico, esta función se cancelará.
- Desde la unidad base no podrá llamar al teléfono inalámbrico mientras el mismo esté ocupado.
- Si el selector RING ON/BATT SAVE del teléfono inalámbrico está en BATT SAVE, no se oirá la señal de búsqueda.

Preparativos del contestador de llamadas

Durante el procedimiento, podrá escuchar la guía de operación.

Ajuste de la hora y el día de la semana



- 1 Pulse **REMOTE**.
Se iluminará el indicador REMOTE. El día de la semana, la hora y el número de mensajes nuevos se anunciarán.
- 2 Pulse *****.
- 3 Introduzca el día de la semana utilizando las teclas de marcación.
Domingo - ①, Lunes - ②, Martes - ③, Miércoles - ④, Jueves - ⑤, Viernes - ⑥, Sábado - ⑦.
- 4 Introduzca la hora utilizando las teclas de marcación (①① ... ①②).
Para ajustar la hora a las 3, pulse ①③.
- 5 Introduzca los minutos utilizando las teclas de marcación (①① ... ⑤⑨).
Para introducir 8 minutos, pulse ①⑧.
- 6 Introduzca AM o PM.
Para introducir AM, pulse *****.
Para introducir PM, pulse **#**.
Sonará un pitido largo de confirmación, y el día de la semana y la hora se anunciarán. El reloj comenzará a funcionar.
- 7 Pulse **REMOTE**.
El indicador REMOTE se apagará.

Utilización como contestador de llamadas

Notas

- Cerciórese de que el selector RING ON/BATT SAVE esté en RING ON.
- Si transcurren dos minutos durante la operación, el ajuste se cancelará. Vuelva a ajustar desde el comienzo.
- Durante un corte del suministro eléctrico, el reloj se parará. En este caso, vuelva a ajustar la hora.

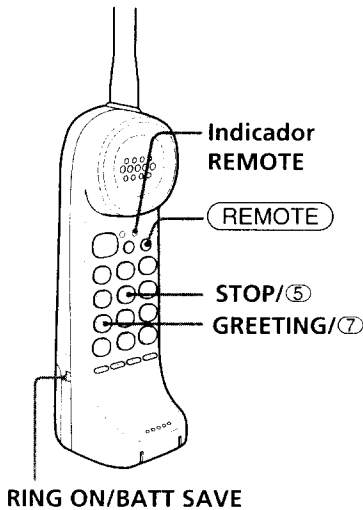
Aviso

El reloj comenzará a funcionar cuando conecte por primera vez el cable de alimentación.

continúa

Grabación de un mensaje de contestación

Usted podrá grabar su propio mensaje de contestación para el modo “normal” y “anuncio solamente”.



- 1** Pulse **REMOTE**.
Se iluminará el indicador REMOTE.
- 2** Pulse **GREETING/7**.
Usted oír la guía de operación a través del teléfono inalámbrico.
- 3** Hable ante el teléfono inalámbrico.
Usted podrá grabar hasta un minuto.
- 4** Para cesar la grabación, pulse **STOP/5**.
Sonará un pitido largo de confirmación y su mensaje de contestación se reproducirá.
- 5** Pulse **REMOTE**.
El indicador REMOTE se apagará.

Notas

- Cerciórese de que el selector RING ON/BATT SAVE esté en RING ON.
- Si su mensaje dura menos de 2 segundos, sonarán cinco pitidos cortos de error y el mensaje no se grabará.
- Este contestador de llamadas también tiene mensajes de contestación pregrabados. Si no graba su propio mensaje, podrá utilizar los siguientes mensajes.

Aviso

Para grabar un mensaje de contestación desde un teléfono de teclado, consulte la página 33.

Mensajes grabados previamente

Modo normal: “Hello, I’m unable to answer your call right now. Please leave your name, number and message after the tone.”

Modo ANN ONLY: “Hello, I’m unable to answer your call right now. Please call again, thank you.”

Consejo

Si desea grabar su propio mensaje de contestación para el “anuncio solamente”, realice el procedimiento anterior después de ajustar el selector AUDIBLE ON/OFF-ANN ONLY a ANN ONLY (consulte la página 24). De lo contrario, se grabará el mensaje de contestación “normal”.

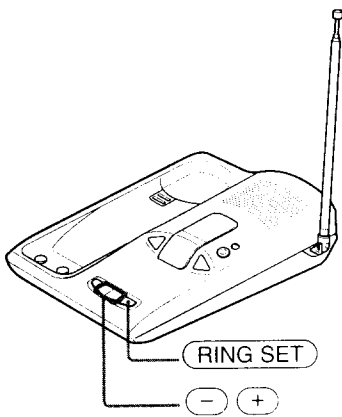
Para cambiar el mensaje

Realice el mismo procedimiento el que descrito en la página anterior. El mensaje se reemplazará por el nuevo. Si la grabación del mensaje de contestación dura menos de 2 segundos, sonarán cinco pitidos cortos de error y cambiará automáticamente al mensaje previamente grabado.

Selección del número de tonos de llamada (sólo en la unidad base)

Usted podrá ajustar las veces que sonará el teléfono antes de contestar para grabar un mensaje.

Hay tres modos, 3, 5 y TS (ahorro de coste de la llamada).



- 1** Pulse dos veces **RING SET**.
- 2** Pulse **+** o **-** para seleccionar "3 times", "5 times" o "Toll saver".
Para que el teléfono conteste después de sonar 3 veces, seleccione "3 times".
Para que el teléfono conteste después de sonar 5 veces, seleccione "5 times".
Seleccione "Toll saver" para que el teléfono conteste después de sonar 3 veces cuando se hayan grabado nuevos mensajes y 5 veces cuando no haya nuevos mensajes grabados.
- 3** Pulse **RING SET**.
Oirá un pitido largo de confirmación.

Utilización como contestador de llamadas

Nota

No deje pasar más de 20 segundos entre los pasos del procedimiento.

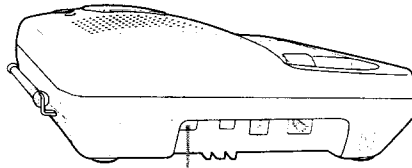
continúa

Utilización como contestador de llamadas | 23^E

Selección del modo de contestación

Usted podrá ajustar el contestador de llamadas de forma que grabe los mensajes recibidos (modo normal), o que sólo conteste sin grabar mensajes (modo de anuncio solamente).

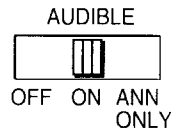
En el modo normal, tiene la opción de hacer que el teléfono emita un pitido para indicarle que hay nuevos mensajes grabados.



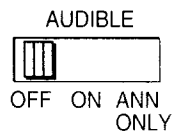
AUDIBLE ON/OFF-
ANN ONLY

Para grabar mensajes recibidos

Si desea oír pitidos
(indicador audible)

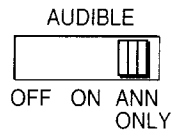


Si no desea oír pitidos

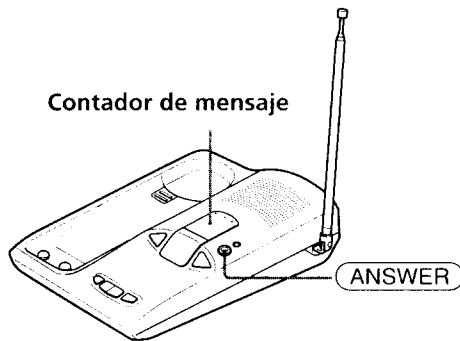


Anuncio solamente

El contestador de
llamadas no grabará los
mensajes recibidos.



Activación del contestador de llamadas



Pulse **ANSWER** de la unidad base.
Se iluminará el contador de mensaje, y se oirá el mensaje de contestación.

Notas

- El tiempo restante de la grabación se anunciará cuando queden menos de 4 minutos y 30 segundos.
- Si la grabación de un mensaje recibido dura más de 4 minutos, la línea se desconectará automáticamente.
- El mensaje no se grabará si dura menos de 2 segundos.

Aviso

El contestador de llamadas contestará automáticamente la llamada después de sonar 10 veces aunque la función de contestación esté desactivada.
La función de contestación se mantendrá activada para todas las llamadas posteriores.

Para desactivar el contestador de llamadas

Pulse **ANSWER**.

El contestador de llamadas se desactivará y el contador de mensaje se apagará.

Aviso

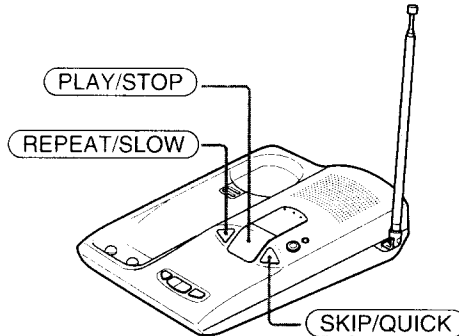
Usted podrá activar/desactivar el contestador de llamadas también utilizando el teléfono inalámbrico (consulte la página 31).
Para activar/desactivar el contestador de llamadas desde un teléfono de teclado, consulte la página 33.

Utilización como
contestador de llamadas

Para escuchar mensajes

Si hay nuevos mensajes grabados, parpadeará el número de los nuevos mensajes. En el modo AUDIBLE ON, podrá oír pitidos.

Reproducción de mensajes



Pulse **PLAY/STOP**.
La unidad reproducirá desde el primer mensaje nuevo.

Nota

Si se recibe una llamada durante la reproducción, ésta se detendrá.

Aviso

Usted podrá oír mensajes también utilizando el teléfono inalámbrico (consulte la página 31).

Para reproducir mensajes desde un teléfono de teclado, consulte la página 33.

Para saltar el mensaje actual

Pulse **SKIP/QUICK** durante la reproducción.

Para repetir el mensaje actual

Pulse **REPEAT/SLOW** durante la reproducción.

Si vuelve a presionar la misma tecla antes de transcurrir dos segundos del comienzo del mensaje actual, se reproducirá el mensaje anterior.

Para cesar la reproducción

Pulse **PLAY/STOP**.

Para reproducir rápidamente

Mantenga pulsada **SKIP/QUICK** durante la reproducción.

Para volver a la reproducción normal, suelte **SKIP/QUICK**.

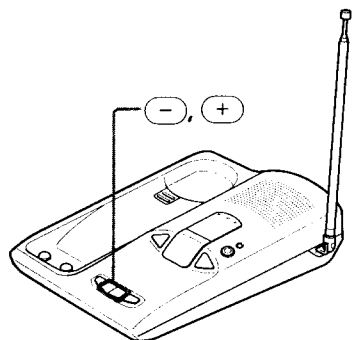
Para reproducir lentamente

Mantenga pulsada **REPEAT/SLOW** durante la reproducción.

Para volver a la reproducción normal, suelte **REPEAT/SLOW**.

26^F Utilización como contestador de llamadas

Ajuste del volumen del altavoz



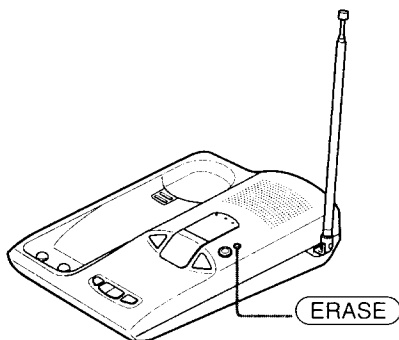
Para aumentar el volumen del altavoz, pulse (+).
Para reducirlo, pulse (-).

Nota

Cuando el nivel del volumen llegue al máximo o mínimo, sonarán tres pitidos cortos.

Borrado de los mensajes

Para borrar todos los mensajes



Mantenga pulsada (ERASE) durante un segundo.
Oirá un pitido largo de confirmación y se borrarán todos los mensajes.

Aviso

Si hay mensajes sin reproducir todavía, se oirán cinco pitidos cortos de error y el anuncio.

Para borrar un mensaje

Mientras el mensaje que desee borrar esté reproduciéndose, pulse (ERASE).

Sonará un pitido largo de confirmación y el mensaje se borrará.

Aviso

Usted podrá borrar un mensaje también utilizando el teléfono inalámbrico (consulte la página 31).

Para borrar un mensaje desde un teléfono de teclado, consulte la página 33.

Utilización como
contestador de llamadas

Selección de las llamadas

Usted podrá seleccionar las llamadas dejando activado el contestador de llamadas mientras esté en su hogar. Cuando el teléfono conteste, podrá oír el mensaje que esté grabándose a través de la unidad base o el teléfono inalámbrico. La persona que esté dejando el mensaje no podrá oír ningún sonido durante la grabación. Usted podrá decidir si deja que el mensaje continúe grabándose o contesta usted mismo.

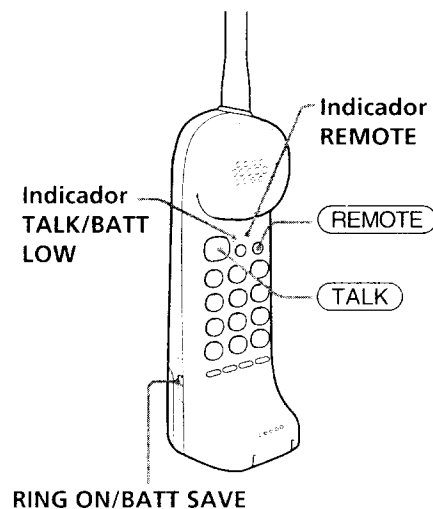
En la unidad base

Cuando el teléfono conteste, el altavoz de la unidad base se activará automáticamente y usted podrá oír el mensaje que esté grabándose.

Notas

- Si el volumen del altavoz está ajustado al mínimo, no podrá seleccionar las llamadas.
- El mensaje de contestación no podrá oírse a través del altavoz de la unidad base mientras esté reproduciéndose.

En el teléfono inalámbrico



Cuando el teléfono conteste, parpadearán los indicadores TALK/BATT LOW y REMOTE.

Para seleccionar la llamada pulse **REMOTE**. Se encenderá el indicador REMOTE.

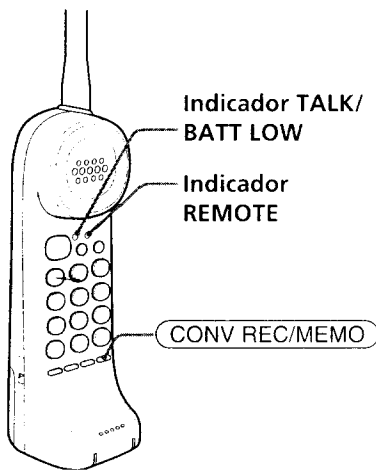
Para hablar con quien llame, pulse **TALK**. La grabación cesará.

Nota

Ceróiese de que el selector RING ON/BATT SAVE esté en RING ON.

Grabación de una conversación telefónica

Cuando realice una llamada en el teléfono inalámbrico, podrá grabar la conversación telefónica.



- 1** Durante la conversación telefónica, pulse **CONV REC/MEMO**. Se iluminarán los indicadores TALK/BATT LOW y REMOTE. Se iniciará la grabación de la conversación.
- 2** Para cesar la grabación, pulse **CONV REC/MEMO**. El indicador REMOTE se apagará.

Notas

- Si transcurren 10 minutos o cuando no haya espacio para grabar más mensajes durante la grabación, la grabación de la conversación telefónica cesará automáticamente y un pitido señalará que la grabación se ha parado. Tenga cuidado de que el indicador TALK/BATT LOW no cambie cuando la grabación pare automáticamente.
- Si la conversación dura menos de dos segundos, la grabación se cancelará.

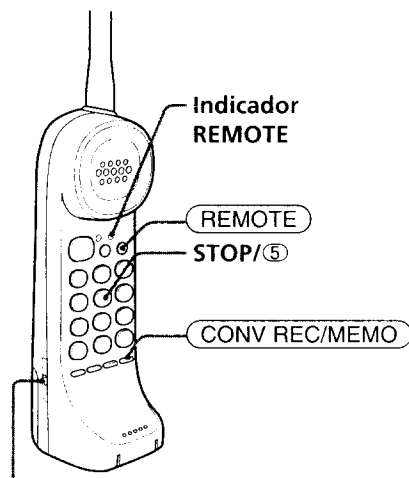
Para oír la conversación grabada

Usted podrá oír la conversación grabada de la misma manera que los mensajes recibidos (consulte la página 26).

Utilización como
contestador de llamadas

Grabación de un mensaje de memorando

Usted podrá dejar mensajes de memorando a otros usuarios del teléfono.



RING ON/BATT SAVE

- 1** Pulse **REMOTE**.
Se iluminará el indicador REMOTE.
- 2** Pulse **CONV REC/MEMO**.
- 3** Hable ante el teléfono inalámbrico para grabar su mensaje.
- 4** Pulse **STOP/5** para cesar la grabación.
- 5** Pulse **REMOTE**.
El indicador REMOTE se apagará.

Notas

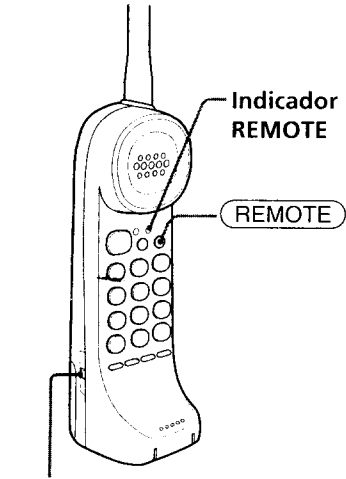
- Cerciérese de que el selector RING ON/BATT SAVE esté en RING ON.
- Si el memorando dura menos de dos segundos, la grabación se cancelará.
- Si llega una llamada durante la grabación, ésta se detendrá automáticamente.
- Si transcurren cuatro minutos o cuando no haya espacio para grabar más mensajes, la grabación cesará automáticamente.

Para escuchar el mensaje de memorando grabado

Usted podrá escuchar el mensaje de memorando grabado de la misma manera que los mensajes recibidos (consulte la página 26).

Operación del contestador de llamadas desde el teléfono inalámbrico

Utilizando el teléfono inalámbrico, podrá operar el contestador de llamadas.



RING ON/BATT SAVE

- 1** Pulse **REMOTE**.
Se iluminará el indicador REMOTE.
- 2** Antes de 20 segundos, pulse las teclas correspondientes a los códigos de control deseados.
- 3** Cuando termine, vuelva a pulsar **REMOTE**.
El indicador REMOTE se apagará.

Notes

- Cerciérese de que el selector RING ON/BATT SAVE esté en RING ON.
- Si se recibe una llamada durante la operación de control remoto, la operación se cancelará.

Tabla de códigos de control

| Para | Tecla | Notas |
|---------------------------------------|---------------|---|
| Reproducir mensajes | ② | Se reproducirá desde el primer mensaje nuevo. |
| Repetir el mensaje actual | ④ | Pulse durante la reproducción. Para repetir el mensaje anterior, pulse antes de transcurrir dos segundos del comienzo del mensaje actual. |
| Cesar la operación | ⑤ | — |
| Saltar el mensaje actual | ⑥ | Pulse durante la reproducción. |
| Grabar su mensaje de contestación | ⑦ | Consulte la página 22. |
| Grabar un mensaje de memorando | CONV REC/MEMO | Consulte la página 30. |
| Borrar un mensaje | ⑨ | Pulse durante la reproducción. |
| Activar el contestador de llamadas | ⑩ | — |
| Ajustar la hora y el día de la semana | * * o ⑫ | Consulte la página 21. |
| Desactivar el contestador de llamadas | # # | — |
| Establecer el código de seguridad | # # | Consulte la página 32. |

Utilización como contestador de llamadas

Utilización como contestador de llamadas | 31^E

Especificaciones

Generales

Control de frecuencia
PLL controlado por cristal
Modo de funcionamiento
FM, dúplex
Frecuencia de funcionamiento
Unidad base: 43 – 46 MHz
Teléfono inalámbrico: 48 – 49 MHz
25 canales
Señal de marcación
Tono, 10 PPS (pulso) seleccionable
Accesorios suministrados
Consulte la página 7.

Teléfono inalámbrico

Fuente de alimentación
Batería BP-T16
Duración de la batería
Tiempo de conversación: Aprox. 6 horas
Espera: Aprox. 14 días
Dimensiones
Aprox. 59 x 203 x 58 mm (an/al/prf), sin
incluir la antena
Antena: 100,4 mm
Masa
Aprox. 255 g, incluyendo la batería

Unidad base

Fuente de alimentación
9 V CC del adaptador de alimentación de
CA
Tiempo de carga de la batería
Aprox. 12 horas
Dimensiones
Aprox. 164,5 x 228,2 x 51 mm (an/al/
prf), sin incluir la antena
Antena: Aprox. 173 mm
Masa
Aprox. 640 g

Contestador de llamadas

Tiempo de grabación total
Unos 20 minutos, utilizando IC
incorporado
Mensaje de contestación
Hasta 1 minuto por cada mensaje
Mensaje recibido y de memorando
Hasta 4 minutos por mensaje
Grabación de conversación
Hasta 10 minutos

Diseño y especificaciones sujetos a cambio
sin previo aviso.

Operación del contestador de llamadas desde un teléfono de teclado

- 1 Llame a su teléfono desde un teléfono de teclado.
- 2 Cuando escuche el mensaje de contestación, pulse **#**, y después su código de seguridad.
Oirá el anuncio del día de la semana, la hora y el número de mensajes.
- 3 Pulse las siguientes teclas correspondientes a la operación deseada.
- 4 Cuando termine, desconecte la línea.

Notas

- Pulse **#** y el código de seguridad antes de dos segundos.
- Si introduce tres veces un código de seguridad erróneo, la línea se desconectará.
- Si no ha activado el contestador de llamadas, el teléfono contestará después de sonar 10 veces.

Tabla de códigos de control

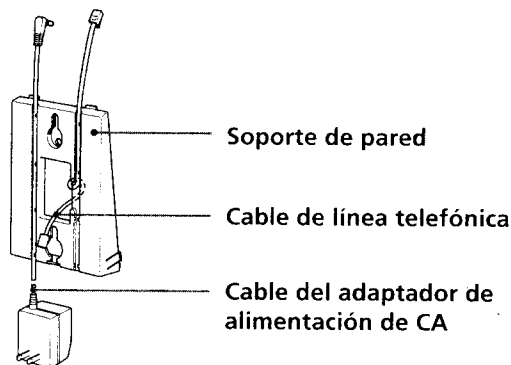
| Para | Tecla | Notas |
|---------------------------------------|-------------------|--|
| Reproducir mensajes | # 2 | Se reproducirá desde el primer mensaje nuevo. |
| Repetir el mensaje actual | # 4 | Pulse durante la reproducción. Para repetir el mensaje anterior, pulse la tecla antes de transcurrir dos segundos del comienzo del mensaje actual. |
| Cesar la operación | # 5 | — |
| Saltar el mensaje actual | # 6 | Pulse durante la reproducción. |
| Grabar su mensaje de contestación | * 7 | — |
| Borrar un mensaje | # 9 | Pulse durante la reproducción. |
| Activar el contestador de llamadas | * 0 | — |
| Desactivar el contestador de llamadas | # 0 | — |

Nota

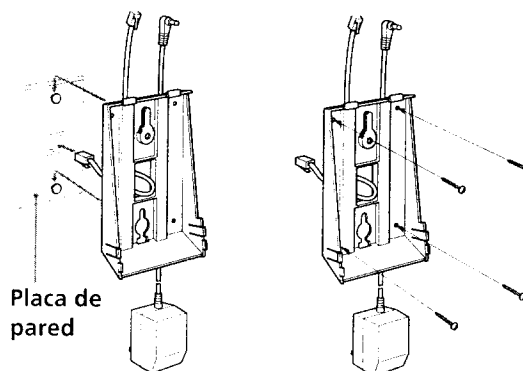
No deje transcurrir dos segundos entre cada dígito del código de control.

Utilización como
contestador de llamadas

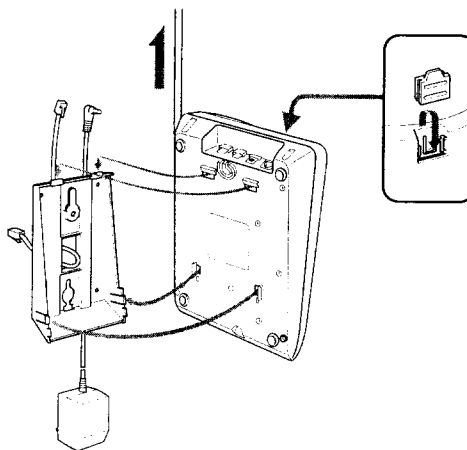
Montaje de la unidad base en la pared



- 1** Fije el cable del adaptador de alimentación de CA y el cable de línea telefónica al soporte de pared. Utilice el cable más corto para el montaje.



- 2** Enganche el soporte de pared a la placa de pared, y enchufe el cable de línea telefónica en la toma de teléfono. En lugar de realizar el enganche a la placa de pared, es posible montar directamente el soporte de pared utilizando los cuatro tornillos suministrados.

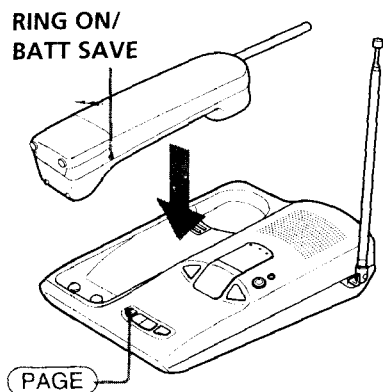


- 3** Inserte primero las lengüetas superiores, y después presione hacia abajo la unidad base de forma que las lengüetas inferiores del soporte se inserten en la unidad base. Después, levante verticalmente la antena. Invierta la lengüeta de colgado y fíjela. Extienda completamente la antena.

Réajuste del código de seguridad digital

Como el código de seguridad aleatorio se asignará automáticamente entre la unidad base y el teléfono inalámbrico al cargar la batería por primera vez, normalmente no es necesario reajustar dicho código.

Sin embargo, en el poco probable caso de que sospeche que otro teléfono inalámbrico está utilizando el mismo código de seguridad, podrá cambiar manualmente el código de la forma siguiente:



- 1** Coloque el teléfono inalámbrico sobre la unidad base.
- 2** Pulse **PAGE**.
- 3** Levante el teléfono inalámbrico más de un segundo. Después, colóquelo otra vez sobre la unidad base durante más de tres segundos para completar el cambio del código.

Notas

- Cerciórese de que el selector RING ON BATT SAVE esté en RING ON.
- Si la batería del teléfono inalámbrico está completamente descargada, o la quita del teléfono inalámbrico durante más de varios segundos, el código de seguridad almacenado se perderá. En tal caso, cargue la batería, y se asignará automáticamente un nuevo código de seguridad.

Aviso

Con este procedimiento el código de seguridad se cambiará tanto en la unidad base como en el teléfono inalámbrico. El código podrá cambiarse las veces que desee.

Información adicional

Notas sobre las fuentes de alimentación

Sobre la batería

- Guarde la batería a una temperatura comprendida entre 5 y 35°C para obtener los mejores resultados.
- Si no va a utilizar el teléfono inalámbrico durante un largo período de tiempo, extraiga la batería.

Sobre un corte del suministro eléctrico

- Durante un corte del suministro eléctrico, la unidad base no funcionará y no será posible realizar ni recibir llamadas en el teléfono inalámbrico.

RECICLADO DE BATERÍAS DE NÍQUEL-CADMIO



LAS BATERÍAS DE NÍQUEL-CADMIO DEBERÁN TIRARSE ADECUADAMENTE.

Ni-Cd

Las baterías de níquel-cadmio pueden reciclarse. Puede colaborar en la conservación del medio ambiente devolviendo las baterías que no desee utilizar a un centro de asistencia o una fábrica Sony más cercana para su recolección, reciclado o eliminación adecuada.

Nota: En algunas zonas puede estar prohibido tirar baterías de níquel-cadmio en los residuos domésticos o empresariales.

Para el centro de asistencia Sony más cercano, llame al 1-800-222 SONY (Estados Unidos solamente).

Precaución: No utilice las baterías de níquel-cadmio dañadas ni con fuga de su electrolito.

Mantenimiento

- Limpie los exteriores con un paño suave ligeramente humedecido en agua o una solución de detergente poco concentrada. No emplee ningún tipo de estropajo, polvos abrasivos, ni disolventes como alcohol o bencina, ya que podría dañar el acabado.

- Si los terminales (partes metálicas de la unidad base y el teléfono inalámbrico) están sucios, límpielos con un paño o papel suave.

Si tiene cualquier pregunta o problema con el teléfono, póngase en contacto con su proveedor Sony más cercano.

Solución de problemas

Si tiene alguna de las siguientes dificultades al utilizar el teléfono, utilice esta guía de solución de problemas para remediarla. Si no se soluciona el problema, póngase en contacto con su proveedor Sony más cercano.

| Problema | Solución |
|---|---|
| Se oyen cinco pitidos cortos de error al pulsar TALK . | <ul style="list-style-type: none">• Asegúrese de instalar la unidad base correctamente (página 9).• Acerque el teléfono inalámbrico a la unidad base.• Vuelva a colocar el teléfono inalámbrico sobre la unidad base durante un momento para cargar la batería. |
| No se recibe tono de marcación. | <ul style="list-style-type: none">• Cerciórese de que el cable de línea telefónica esté firmemente conectado a la toma de teléfono.• Cerciórese de que la batería esté completamente cargada (página 12). |
| El teléfono siempre se conecta con un número erróneo o no se conecta aunque el número marcado sea correcto. | <ul style="list-style-type: none">• Compruebe que el modo de marcación está correctamente ajustado (página 10). |
| El teléfono no repite la marcación correctamente. | <ul style="list-style-type: none">• Asegúrese de que el último número marcado (incluidos los dígitos de tono y pausa, si los utiliza) sea inferior a 32 dígitos.• Compruebe que el último número marcado es realmente el que desea marcar. |
| Se oyen interferencias durante la conversación. | <ul style="list-style-type: none">• Acerque el teléfono inalámbrico a la unidad base.• Pulse CHANNEL para seleccionar un canal que proporcione buena calidad de recepción.• Aleje la unidad base de fuentes de ruido (página 8). |
| Se oye un pitido cada tres segundos. | <ul style="list-style-type: none">• La batería está débil. Cárguela durante más de 12 horas (página 12). |

Realización de llamadas

Información adicional

continúa

Información adicional | 37^E

Solución de problemas (continuación)

| | Problema | Solución |
|-----------------------------------|---|--|
| Recepción de llamadas | El teléfono inalámbrico no suena. | <ul style="list-style-type: none"> • Ponga el selector RING ON/BATT SAVE del teléfono inalámbrico en RING ON. • La batería puede estar agotada. Cárguela durante más de 12 horas (página 12). • Compruebe que ha instalado la unidad base correctamente (página 9). • Acerque el teléfono inalámbrico a la unidad base. • Mientras almacena un número de marcación rápida no es posible recibir llamadas. • Vuelva a colocar el teléfono inalámbrico sobre la unidad base durante un momento para cargar la batería. |
| | Se oyen cinco pitidos cortos y no es posible almacenar un número de marcación rápida. | <ul style="list-style-type: none"> • Compruebe que ha realizado correctamente el procedimiento de almacenamiento del número (página 18). • Compruebe que el número (incluidos los dígitos de tono y pausa) es inferior a 16 dígitos. |
| Marcación rápida | Se oyen cinco pitidos cortos al intentar realizar una llamada de marcación rápida. | <ul style="list-style-type: none"> • Ha introducido una tecla de marcación que no contiene un número de teléfono almacenado. |
| | La marcación rápida es incorrecta. | <ul style="list-style-type: none"> • Almacene un número correcto (página 18). |
| Búsqueda del teléfono inalámbrico | El teléfono inalámbrico no suena al llamar desde la unidad base. | <ul style="list-style-type: none"> • Es posible que el teléfono inalámbrico esté ocupado. • Ponga el selector RING ON/BATT SAVE en RING ON. • Es posible que la batería esté débil o agotada. Cárguela durante más de 12 horas (página 12). • Levante verticalmente la antena de la unidad base y extiéndala completamente. • Coloque la unidad base lejos de fuentes de ruido (página 8). • Acerque el teléfono inalámbrico a la unidad base. |

| Problema | Solución |
|--|--|
| El mensaje no se graba. ("F" parpadea en el contador de mensaje.) | <ul style="list-style-type: none"> El tiempo restante de grabación es menos de un minuto o ya se han grabado 40 mensajes. El contestador de llamadas entrará en el modo de "anuncio solamente" y no grabará mensajes. Borre los mensajes (página 27). |
| No se oye sonido a través del altavoz de la unidad base. | <ul style="list-style-type: none"> Ajuste el volumen (página 27). |
| El mensaje de quien llamó se interrumpe. | <ul style="list-style-type: none"> El mensaje de quien llamó fue demasiado largo. La voz de quien llamó fue muy baja. La unidad desconectará la línea cuando detecte un silencio de siete segundos. |
| Cuando llama a su teléfono desde un teléfono de teclado, la línea se desconecta. | <ul style="list-style-type: none"> Ha introducido tres veces un código de seguridad erróneo. |
| La hora del reloj es incorrecta. | <ul style="list-style-type: none"> Hubo un corte del suministro eléctrico. Vuelva a ajustar el reloj (página 21). |
| El indicador CHARGE no se ilumina al colocar el teléfono inalámbrico sobre la unidad base. | <ul style="list-style-type: none"> Limpie las partes de contacto para la carga de la unidad base y el teléfono inalámbrico con un paño suave y seco. |
| La batería dura menos de lo normal. | <ul style="list-style-type: none"> La corriente eléctrica no se suministró continuamente a la unidad base durante la carga. La batería se ha cargado durante menos de 12 horas (debido a un corte del suministro eléctrico, etc.). |
| En el contador de mensaje aparece "E". | Desconecte el cable de alimentación de CA y vuelva a conectarlo. Si el problema persiste, póngase en contacto con su proveedor Sony autorizado. |

Especificaciones

Generales

Control de frecuencia
PLL controlado por cristal
Modo de funcionamiento
FM, dúplex
Frecuencia de funcionamiento
Unidad base: 43 – 46 MHz
Teléfono inalámbrico: 48 – 49 MHz
25 canales
Señal de marcación
Tono, 10 PPS (pulso) seleccionable
Accesorios suministrados
Consulte la página 7.

Teléfono inalámbrico

Fuente de alimentación
Batería BP-T16
Duración de la batería
Tiempo de conversación: Aprox. 6 horas
Espera: Aprox. 14 días
Dimensiones
Aprox. 59 x 203 x 58 mm (an/al/prf), sin
incluir la antena
Antena: 100,4 mm
Masa
Aprox. 255 g, incluyendo la batería

Unidad base

Fuente de alimentación
9 V CC del adaptador de alimentación de
CA
Tiempo de carga de la batería
Aprox. 12 horas
Dimensiones
Aprox. 164,5 x 228,2 x 51 mm (an/al/
prf), sin incluir la antena
Antena: Aprox. 173 mm
Masa
Aprox. 640 g

Contestador de llamadas

Tiempo de grabación total
Unos 20 minutos, utilizando IC
incorporado
Mensaje de contestación
Hasta 1 minuto por cada mensaje
Mensaje recibido y de memorando
Hasta 4 minutos por mensaje
Grabación de conversación
Hasta 10 minutos

Diseño y especificaciones sujetos a cambio
sin previo aviso.

Índice alfabético

A, B

- Ajuste del volumen
 - volumen del altavoz 27
 - volumen del generador 17

Batería

- carga 12
- duración 12
- modo de ahorro de batería 17

Búsqueda del teléfono inalámbrico 20

C

- Canal 14
- Código de seguridad 32
- Conexión 9
- Contenido del paquete 7
- Contestador de llamadas 21

D, E, F, G, H, I, J, K

Grabación

- conversación 29
- mensaje de contestación 22
- mensaje de memorando 30

Instalación

- contestador de llamadas 21
- teléfono inalámbrico 11
- unidad base 8

L, M, N, O

- Marcación por pulsos 10
- Marcación por tonos 10
 - cambiar temporalmente 14
- Marcación rápida 18
- Marcación repetida 15
- Mensaje de contestación 22
- Modo de contestación 24

Modo de marcación

- cambio al modo de tono temporalmente 14
- selección 10
- Montaje de la unidad base en la pared 34
- Número de tonos de llamada 23
- Operación por control remoto
 - desde el teléfono inalámbrico 31
 - desde un teléfono de teclado 32

P, Q, R

- Para escuchar mensajes 26
- Realización de llamadas 14
- Recepción de llamadas 16
- Reproducción 26

S

- Selección de las llamadas 28
- Servicio de llamada en espera 16
- Sistema del código de seguridad digital 35
- Solución de problemas 37

T, U

- Ubicación, unidad base 8

V, W, X, Y, Z

- Volumen
 - altavoz 27
 - generador 17

GARANTÍA LIMITADA

SONY ELECTRONICS INC. ("SONY") garantiza este producto contra defectos de materiales o hechura, según se expone a continuación:

1. Durante un período de 1 año a partir de la fecha de compra, SONY pagará los cargos de mano de obra de su centro de servicio SONY autorizado por concepto de reparación del producto defectuoso. Después de dicho período de 1 año, usted debe pagar todos los cargos de mano de obra.

2. Adicionalmente, SONY suministrará, sin cargo, sustitutos nuevos o reconstruidos para las piezas defectuosas durante un período de 1 año a partir de la fecha original de compra.

A fin de obtener servicio bajo garantía, usted debe llevar el producto o entregar el producto, con frangueo prepagado, a una instalación de servicio SONY autorizado.

La presente garantía no cubre daños estéticos ni daños debido a casos fortuitos, accidentes, mal uso, abuso o negligencia de este producto, incluso la antena. Esta garantía sólo es válida en Estados Unidos de América.

Para obtener servicio bajo garantía, debe presentarse comprobación de compra en la forma de una factura de venta o recibo de pago que evidencie que la unidad está amparada bajo el período de garantía.

Esta garantía sólo es válida si el número de serie aparece en el producto.

LA REPARACIÓN O REEMPLAZO SEGÚN LO ESTIPULADO BAJO LA PRESENTE GARANTÍA ES EL EXCLUSIVO REMEDIO DEL CONSUMIDOR. SONY NO SERÁ RESPONSABLE DE CUALQUIER DAÑOS INCIDENTALES O CONSECUENTES DEBIDO A LA VIOLACIÓN DE CUALQUIER GARANTÍA EXPRESA O IMPLÍCITA SOBRE EL PRESENTE PRODUCTO, EXCEPTO EN LA MEDIDA EN QUE DICHA ESTIPULACIÓN SEA PROHIBIDA EN VIRTUD DE LEGISLACIÓN PERTINENTE. LA DURACIÓN DE CUALQUIER GARANTÍA IMPLÍCITA DE COMERCIABILIDAD O IDONEIDAD PARA UN PROPÓSITO ESPECÍFICO DEL PRESENTE PRODUCTO QUEDA LIMITADA A LA DURACIÓN DE LA PRESENTE GARANTÍA.

Ciertos estados no permiten la exclusión o limitación de daños incidentales o consecuentes, o no permiten limitaciones sobre la duración de una garantía implícita, y por ende es posible que las limitaciones o exclusiones que anteceden no se aplican a usted. La presente garantía le confiere derechos legales específicos, y es posible que tenga otros derechos que varían de acuerdo con el estado.

Para su conveniencia, SONY ELECTRONICS INC. ha establecido un Centro de Información para Clientes para ofrecerle información sobre productos o servicio.

Importante: Si devuelve un producto para servicio, por favor, véase a la parte derecha para su Centro de Servicio Sony más cercano.

Línea de asistencia de telecomunicaciones

1-(800)-222-7669

Por favor, llámenos con sus preguntas
y comentarios sobre los productos telefónicos SONY

SONY ELECTRONICS INC.

Sony Drive, Park Ridge, New Jersey 07656

For your convenience, SONY ELECTRONICS INC. has established telephone numbers for frequently asked questions:

To locate the service centers or dealers nearest you, or

For service assistance or resolution of a service problem, or

For product information or operation, call:

**Sony Direct Response Center
1-800-222-7669**

or write to:

**Sony Direct Response Center
12451 GATEWAY BLVD.
FT. MYERS, FL. 33913**

For an accessory or part not available from your authorized dealer, call:

1-800-488-7669

Para su comodidad, SONY ELECTRONICS INC. ha dispuesto números de teléfono a fin de contestar a las preguntas más frecuentes:

Para localizar el reparador o distribuidor de Sony más cercano, o

Para solicitar asistencia técnica o la solución de algún problema técnico, o

Con respecto a la información u operación de productos, llame a:

**Sony Direct Response Center
1-800-222-7669**

o escriba a:

**Sony Direct Response Center
12451 GATEWAY BLVD.
FT. MYERS, FL. 33913**

Con respecto a la información sobre accesorios o piezas que no ofrezca el proveedor autorizado, llama a:

1-800-488-7669

UDZZ01390EZ

Free Manuals Download Website

<http://myh66.com>

<http://usermanuals.us>

<http://www.somanuals.com>

<http://www.4manuals.cc>

<http://www.manual-lib.com>

<http://www.404manual.com>

<http://www.luxmanual.com>

<http://aubethermostatmanual.com>

Golf course search by state

<http://golfingnear.com>

Email search by domain

<http://emailbydomain.com>

Auto manuals search

<http://auto.somanuals.com>

TV manuals search

<http://tv.somanuals.com>