

SONY®

Component/OEM

CCD COLOR DIGITAL CAMERAS

DFW-SX910

DFW-X710



FEATURES



Sony's new DFW-SX910 and DFW-X710 cameras are the latest additions to its range of IEEE 1394 (FireWire®) color digital cameras. Incorporating an IEEE 1394 digital interface, these advanced digital cameras produce uncompressed, high resolution, digital color images. Both cameras employ a new, next generation progressive scan CCD with square pixels as well as a primary filter for superb color reproduction and excellent sensitivity.

The DFW-SX910 is equipped with a 1/2 type 1,450,000-pixel CCD and offers SXGA resolution images, while the DFW-X710 is equipped with a 1/3 type 800,000-pixel CCD. Both models incorporate a variety of convenient features such as partial scan (16 x 16 zones), selectable output modes (image size/frame rate) and an external trigger function with an exposure range from 1/100,000 to 17.5 seconds, allowing for the clear capture of fast moving objects or still images in low light environments. In addition, their compact and lightweight design make them easy to install and ideal for a variety of industrial applications such as machine vision, semiconductor inspection, image processing, print inspection, microscopy, and factory automation. What's more, the automatic white balance feature allows for professional operation even in changing light conditions.

Combining high resolution, compact design and a wide range of feature-rich functions, the DFW-SX910 and the DFW-X710 cameras are the right choice for quality-critical imaging applications.

- **High resolution with progressive scan square pixel CCD**
DFW-SX910: SXGA, 1/2 type IT CCD,
1,280 (H) x 960 (V)
DFW-X710 : XGA, 1/3 type IT CCD,
1,024 (H) x 768 (V)
- **IIDC 1394-based Digital Camera Specification Version 1.30 compliant (400 Mbps)**
- **Selectable frame rate**
DFW-SX910: 7.5/3.75/1.875 fps
DFW-X710: 15/7.5/3.75/1.875 fps
- **Built-in frame memory for storage of images**
XGA (YUV 4:2:2): 10 images
SXGA (YUV 4:2:2): 6 images
- **External trigger input and exposure output functions (4-pin)**
- **Fast hardware or software asynchronous trigger**
- **Trigger at full frame rate**
- **Color (YUV 4:2:2 or YUV 4:1:1) and gray scale (Mono8) output**
- **Partial scan (16 x 16 selectable zones)**
- **Synchronization of exposure start of multiple cameras on the same 1394 bus**
- **Auto/Manual gain**
Manual gain: 0 to +18 dB
- **C mount**
- **Lead-free solder is used in manufacturing**

Supported Video Formats

DFW-SX910

Fixed format						
Format	Mode	Image size (H x V)	Color coding	Frame rate (fps)		
				7.5	3.75	1.875
0	1	320 x 240	YUV (4:2:2)	Yes	Yes	—
	2	640 x 480	YUV (4:1:1)	Yes	Yes	—
	3	640 x 480	YUV (4:2:2)	Yes	Yes	—
	5	640 x 480	Mono8	Yes	Yes	—
1	0	800 x 600	YUV (4:2:2)	Yes	Yes	—
	2	800 x 600	Mono8	Yes	—	—
	3	1,024 x 768	YUV (4:2:2)	Yes	Yes	Yes
	5	1,024 x 768	Mono16	Yes	Yes	Yes
2	0	1,280 x 960	YUV (4:2:2)	Yes	Yes	Yes
	2	1,280 x 960	Mono8	Yes	Yes	Yes

Free format						
Format	Mode	Image size (H x V)	Color coding	Partial scan	Frame rate (fps)	
					7.5	3.75
7	0	1,280 x 960	Mono8	16 x 16	—*	—
			YUV (4:1:1)	16 x 16	—*	—
			YUV (4:2:2)	16 x 16	—*	—
	1	1,280 x 960	Mono8	—	Yes	Yes
			YUV (4:1:1)	—	Yes	Yes
			YUV (4:2:2)	—	Yes	Yes

*Frame rate depends on exposure time and partial scan size.

DFW-X710

Fixed format							
Format	Mode	Image size (H x V)	Color coding	Frame rate (fps)			
				15	7.5	3.75	1.875
0	1	320 x 240	YUV (4:2:2)	Yes	Yes	Yes	—
	2	640 x 480	YUV (4:1:1)	Yes	Yes	Yes	—
	3	640 x 480	YUV (4:2:2)	Yes	Yes	Yes	—
	5	640 x 480	Mono8	Yes	Yes	Yes	—
1	0	800 x 600	YUV (4:2:2)	Yes	Yes	Yes	—
	2	800 x 600	Mono8	Yes	Yes	—	—
	3	1,024 x 768	YUV (4:2:2)	Yes	Yes	Yes	Yes
	5	1,024 x 768	Mono8	Yes	Yes	Yes	Yes

Free format						
Format	Mode	Image size (H x V)	Color coding	Partial scan	Frame rate (fps)	
					15	7.5
7	0	1,024 x 768	Mono8	16 x 16	—*	—
			YUV (4:1:1)	16 x 16	—*	—
			YUV (4:2:2)	16 x 16	—*	—

*Frame rate depends on exposure time and partial scan size.

Pin Assignment

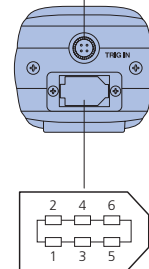
4-pin: Trigger-in and Exposure-out

Pin number	Signal
1	Exposure out
2	GND
3	Trigger in
4	NC

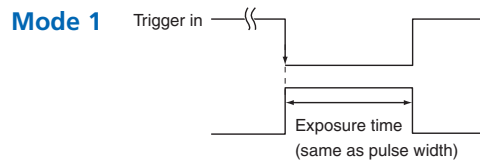
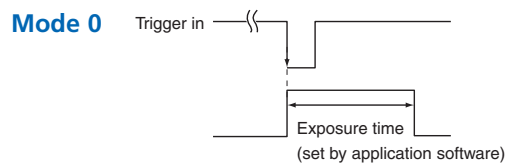


6-pin: IEEE 1394-1995 CN

Pin number	Signal
1	Power
2	Power (GND)
3	TPB-
4	TPB+
5	TPA-
6	TPA+



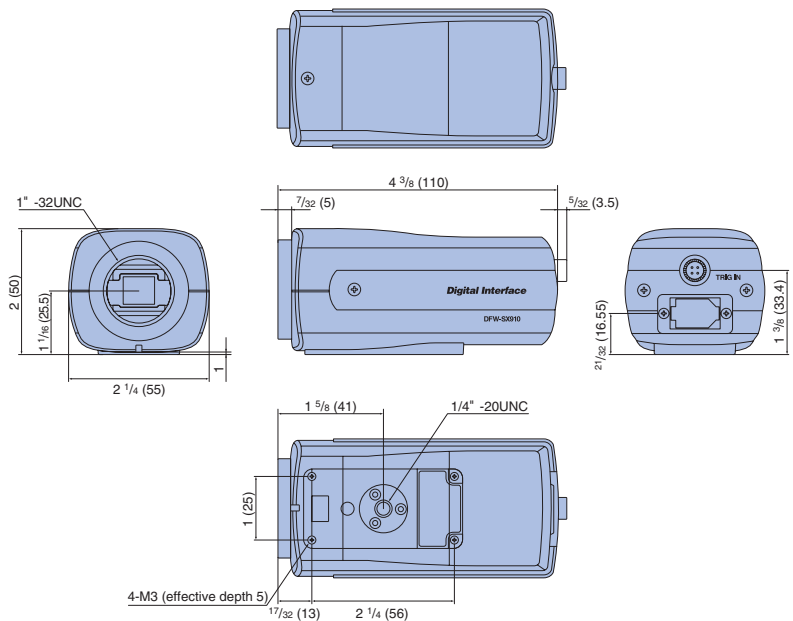
Trigger Shutter



SPECIFICATIONS

	DFW-SX910	DFW-X710
Image device	1/2 type progressive scan IT CCD	1/3 type progressive scan IT CCD
Effective picture elements (H x V)	1,392 x 1,040; 1,450,000 pixels	1,034 x 779; 800,000 pixels
Output image size (H x V)	SXGA: 1,280 x 960	XGA: 1,024 x 768
Cell size (H x V)	4.65 x 4.65 μm	
Lens mount	C mount	
Minimum illumination	20 lx (F1.4, +18 dB gain)	
Digital interface	IEEE 1394-1995	
Transfer rate	400/200 Mbps	
Frame rate	7.5/3.75/1.875 fps	15/7.5/3.75/1.875 fps
Gain control	Auto/Manual (0 to +18 dB, 0.0354 dB steps)	
White balance	Auto/ATW/Manual/Preset	
Shutter speed	Approx. 1/100,000 to 17.5 s	
External trigger shutter	Trigger start (mode0), trigger start and exposure duration (mode1)	
Partial scan	256 zones (16 x 16)	
Power requirements	DC 8 to 30 V (from IEEE 1394 camera cable)	
Power consumption	4 W	
Dimensions (W x H x D)	2 1/4 x 2 x 4 3/8 inches (55 x 50 x 110 mm)	
Weight	9 oz (250 g)	
Operating temperature	23 to 113 °F (-5 to +45 °C)	
Storage temperature	-4 to +140 °F (-20 to +60 °C)	
Operating humidity	20 to 80% (non condensing)	
Storage humidity	20 to 95% (non condensing)	
Regulations	UL60950 listed, FCC Class B Digital Device, IC Class B, CE (EN61326), AS4251.1 + AS4252.2	
Supplied accessories	Lens mount cap (1), Cable (1), External trigger connector (male) (1), Operating instructions (1)	
Optional accessory	50 mm macro lens	

DIMENSIONS



Unit: inches (mm)

SONY

Sony Electronics Inc.
 1 Sony Drive
 Park Ridge, NJ 07656
 201-930-7000
www.sony.com/videocameras

©2004 Sony Corporation. All rights reserved.
 Reproduction in whole or in part without written permission is prohibited.
 Features and specifications are subject to change without notice.
 All non-metric weights and measurements are approximate.
 Sony is a registered trademark of Sony Corporation.

image is
 everything™

IS-1187
 MK10090V1

Free Manuals Download Website

<http://myh66.com>

<http://usermanuals.us>

<http://www.somanuals.com>

<http://www.4manuals.cc>

<http://www.manual-lib.com>

<http://www.404manual.com>

<http://www.luxmanual.com>

<http://aubethermostatmanual.com>

Golf course search by state

<http://golfingnear.com>

Email search by domain

<http://emailbydomain.com>

Auto manuals search

<http://auto.somanuals.com>

TV manuals search

<http://tv.somanuals.com>