

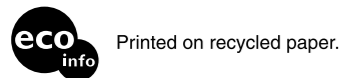
SONY

Digital Printing System

Operating Instructions Page 2 **GB**

Mode d'emploi Page 71 **FR**

Manual de instrucciones página 141 **ES**



<http://www.sony.net/>

Sony Corporation
Printed in Japan



Download from [Www.Somanuals.com](http://www.Somanuals.com). All Manuals Search And Download.



UPX-C300

© 2008 Sony Corporation

Owner's Record

The model and serial numbers are located at the rear. Record these number in the space provided below. Refer to these numbers whenever you call upon your Sony dealer regarding this product.

Model No. _____

Serial No. _____

WARNING

To reduce the risk of fire or electric shock, do not expose this apparatus to rain or moisture.

To avoid electrical shock, do not open the cabinet. Refer servicing to qualified personnel only.

For the UP-DX100 Printer, DKC-C300X Digital Still Camera, and the UPA-AC05 AC Power Adapter

For the customers in the U.S.A.

This equipment has been tested and found to comply with the limits for a Class B digital device, pursuant to Part 15 of the FCC Rules. These limits are designed to provide reasonable protection against harmful interference in a residential installation. This equipment generates, uses, and can radiate radio frequency energy and, if not installed and used in accordance with the instructions, may cause harmful interference to radio communications. However, there is no guarantee that interference will not occur in a particular installation. If this equipment does cause harmful interference to radio or television reception, which can be determined by turning the equipment off and on, the user is encouraged to try to correct the interference by one or more of the following measures:

- Reorient or relocate the receiving antenna.
- Increase the separation between the equipment and receiver.
- Connect the equipment into an outlet on a circuit different from that to which the receiver is connected.
- Consult the dealer or experienced radio/TV technician for help.

You are cautioned that any changes or modifications not expressly approved in this manual could void your authority to operate this equipment.

All interface cables used to connect peripherals must be shielded in order to comply with the limits for a digital device pursuant to Subpart B of Part 15 of FCC Rules.

For the UP-DX100 Printer

For the customers in the U.S.A.

If you have any questions about this product, you may call:

*Sony Customer Information Service Center
1-800-222-7669 or
<http://www.sony.com/>*

Declaration of conformity

Trade Name: SONY
Model: UP-DX100
Responsible Party: Sony Electronics Inc.
Address: 16530 Via Esprillo,
San Diego, CA 92127 U.S.A.
Telephone Number: 858-942-2230

This device complies with part 15 of the FCC Rules. Operation is subject to the following two conditions: (1) this device may not cause harmful interference, and (2) this device must accept any interference received, including interference that may cause undesired operation.

For the UP-DX100 Printer and the DKC-C300X Digital Still Camera

For the customers in the U.S.A.

This transmitter must not be co-located or operated in conjunction with any other antenna or transmitter.

For the customers in Canada

This Class B digital apparatus complies with Canadian ICES-003.

Operation is subject to the following two conditions: (1) this device may not cause interference, and (2) this device must accept any interference, including interference that may cause undesired operation of the device.

The term "IC:" before the radio certification number only signifies that Industry Canada technical specifications were met.

For the DKC-C300X Digital Still Camera

For the customers in the U.S.A. and Canada

This equipment complies with FCC/IC radiation exposure limits set forth for uncontrolled equipment and meets the FCC radio frequency (RF) Exposure Guidelines in Supplement C to OET65 and RSS-102 of the IC radio frequency (RF) Exposure rules. This equipment has very low levels of RF energy that it is deemed to comply without testing of specific absorption ratio (SAR).

For the UPA-AC05 AC Power Adapter

For the customers in the U.S.A. and Canada

This Class B digital apparatus complies with Part 15 of FCC Rules and the Canadian ICES-003.

Operation is subject to the following two conditions:

- (1) this device may not cause harmful interference, and
- (2) this device must accept any interference received, including interference that may cause undesired operation.

For the UP-DX100 Printer and the UPA-AC05 AC Power Adapter

WARNING

This unit has no power switch.

When installing the unit, incorporate a readily accessible disconnect device in the fixed wiring, or connect the power plug to an easily accessible socket-outlet near the unit. If a fault should occur during operation of the unit, operate the disconnect device to switch the power supply off, or disconnect the power plug.

WARNING on Power Connection

Use a proper power cord for your local power supply.

1. Use the approved Power Cord (2-core mains lead)/Appliance Connector/Plug that conforms to the safety regulations of each country if applicable.
2. Use the Power Cord (2-core mains lead)/Appliance Connector/Plug conforming to the proper ratings (Voltage, Ampere).

If you have questions on the use of the above Power Cord/Appliance Connector/Plug, please consult a qualified service personnel.

For the UP-DX100 Printer and the DKC-C300X Digital Still Camera

For the customers in Europe

Hereby, Sony Corporation, declares that these "UP-DX100" and "DKC-C300X" are in compliance with the essential requirements and other relevant provisions of the Directive 1999/5/EC.

For details, please access the following URL :

<http://www.compliance.sony.de/>

Dotyczy drukarki UP-DX100 oraz aparatu fotograficznego DKC-C300X

Dotyczy klientów w Europie

Niniejszym Sony Corporation oświadcza, że model aparatu „UP-DX100” oraz „DKC-C300X” jest zgodny z zasadniczymi wymaganiami oraz innymi stosownymi postanowieniami Dyrektywy 1999/5/WE.

Szczegółowe informacje znaleźć można pod następującym adresem URL:

<http://www.compliance.sony.de/>

For the UP-DX100 Printer, DKC-C300X Digital Still Camera, and the UPA-AC05 AC Power Adapter

For the customers in Europe

The manufacturer of this product is Sony Corporation, 1-7-1 Konan, Minato-ku, Tokyo, Japan.

The Authorized Representative for EMC and product safety is Sony Deutschland GmbH, Hedelfinger Strasse 61, 70327 Stuttgart, Germany. For any service or guarantee matters please refer to the addresses given in separate service or guarantee documents.

For the Battery

Caution

Danger of explosion if battery is incorrectly replaced.

Replace only with the same or equivalent type recommended by the manufacturer.

Dispose of used batteries according to the manufacturer's instructions.

All companies and product names mentioned herein may be the trademarks or registered trademarks of their respective companies. Furthermore, "TM" and "®" are not mentioned in each case in this manual.

Duplication, edition, or printing of a CD, TV programs, copyrighted materials such as pictures or publications, or any other materials except for your own recording or creation is limited to private or domestic use only. Unless you hold copyright or have permission of copyright holders for the materials to be duplicated, use of those materials beyond this limit may infringe the provisions of the copyright law and be subject to the copyright holder's claim for damages. When using photo images with this printer, pay special attention not to infringe the provisions of the copyright law. Any unauthorized use or modification of others' portrait may also infringe their rights. For some demonstrations, performances, or exhibits, photography may be forbidden.

GB

Table of Contents

System Overview	5
System Configuration	5
Operation Flow	6
Useful Features	6
Flash Modes and Example Shooting	
Conditions	7
Flash Mode Setting Parameters	8
Names and Functions of Parts	9
Camera	9
Printer	12
Supplied Accessories	14
Confirming the Contents	14
Preparations	14
Preparing the Camera	14
Preparing the Printer	16
Turning On the Power	19
Operations (Shooting and Printing)	20
Taking a Picture	21
Printing the Last Picture Taken	
(From the Auto-Review Display)	22
Printing a Picture Stored in the Camera's	
Built-In Memory	24
Reprinting a Picture Stored in the Printer's	
Memory (COPY PRINT)	24
Viewing a Picture on the LCD	24
Deleting a Picture	25
Settings	27
Displaying the Shooting Menu	27
Displaying the Playback Menu	27
Displaying the SETUP Menu	28
Menu	29
Functions of the Menu Items	29
Setting the Image Resolution	32
Setting the Auto Erase Mode	32
Selecting the Flash Mode	33
Setting the Aperture	33
Setting the Shutter Speed	34
Adjusting the White Balance	34
Compensating the Exposure	35
Viewing Information on Captured Images	35
Using the Print Queue Function	36
Setting up a Frame for Display During	
Printing	37
Creating an Additional Frame	38
Using the Die-cut Print Function	40
Using the Auto Power Save Function	41
Setting Camera Sounds	42
Selecting the Language Display	42
Returning Settings to Defaults	43
Displaying the Firmware Version	43
Locking the Camera Menus	44
Adjusting the Print Quality	44
Adjusting the Picture Quality	44
Explanation of Picture Quality Adjustment	
Parameters	45
Guide Print Function	48
Printing Times	51
Adjusting the Print Position	
(PRINT OFFSET)	51
Setting the Bluetooth Functions	52
Bluetooth wireless technology	52
The "Basic Imaging Profile"	52
Bluetooth Address	52
Passkey Authentication	52
Bluetooth Connection	53
Checking the Bluetooth Connection Statuses of	
the Camera (PROPERTY)	53
Confirming the Bluetooth Address of the	
Printer	54
Changing the Passkey	54
Setting the Module Power	55
Giving Your Printer a Device Number	56
Checking the Connection Record of the	
Printer	56
Adding/Registering a Printer	57
Removing a Printer	59
Operation with Several Printers	59
Maintaining System Performance	60
Camera	60
Printer	60
Cleaning	60
Specifications	61
Troubleshooting	63
Camera	63
While Taking Pictures	63
Camera LCD	63
Printing	63
Picture Quality	64
Printer	64
Removing Jammed Paper	65
Cleaning the Inside of the Printer	65
Error Messages	67
Appendix	68
Print Layouts	68
Index	69

System Overview

The Sony UPX-C300 digital printing system is designed to allow you to take passport photos and similar ID pictures with a digital camera, and then print them at high image quality and resolution (403 dpi) in full color or black & white.

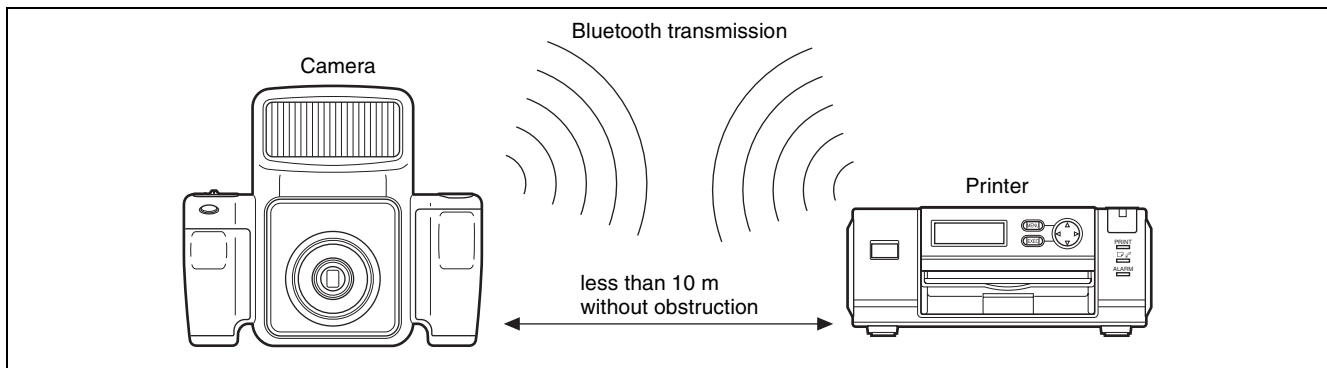
Two types of print paper are supported: UPC-X46 series, and UPC-X34 series.

The system adopts Bluetooth wireless technology, which enables communication between the camera and printer without using cables.

System Configuration

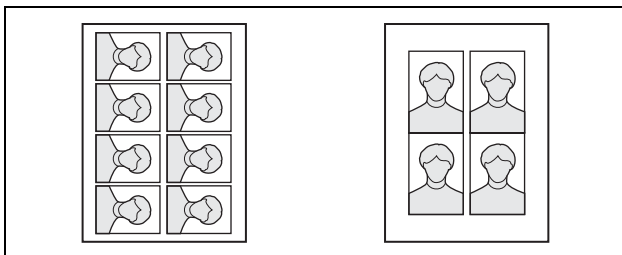
You can send images from the camera to the printer without a cable.

For details on the Bluetooth function, see “Setting the Bluetooth Functions” on page 52.



You can print pictures with the best face size according to the purpose of the pictures. The face size can be determined automatically or you can finely adjust it manually while looking at the frame.

The pictures taken can be printed in a variety of layouts for passport photos and similar ID pictures or the size of the print pack in use.

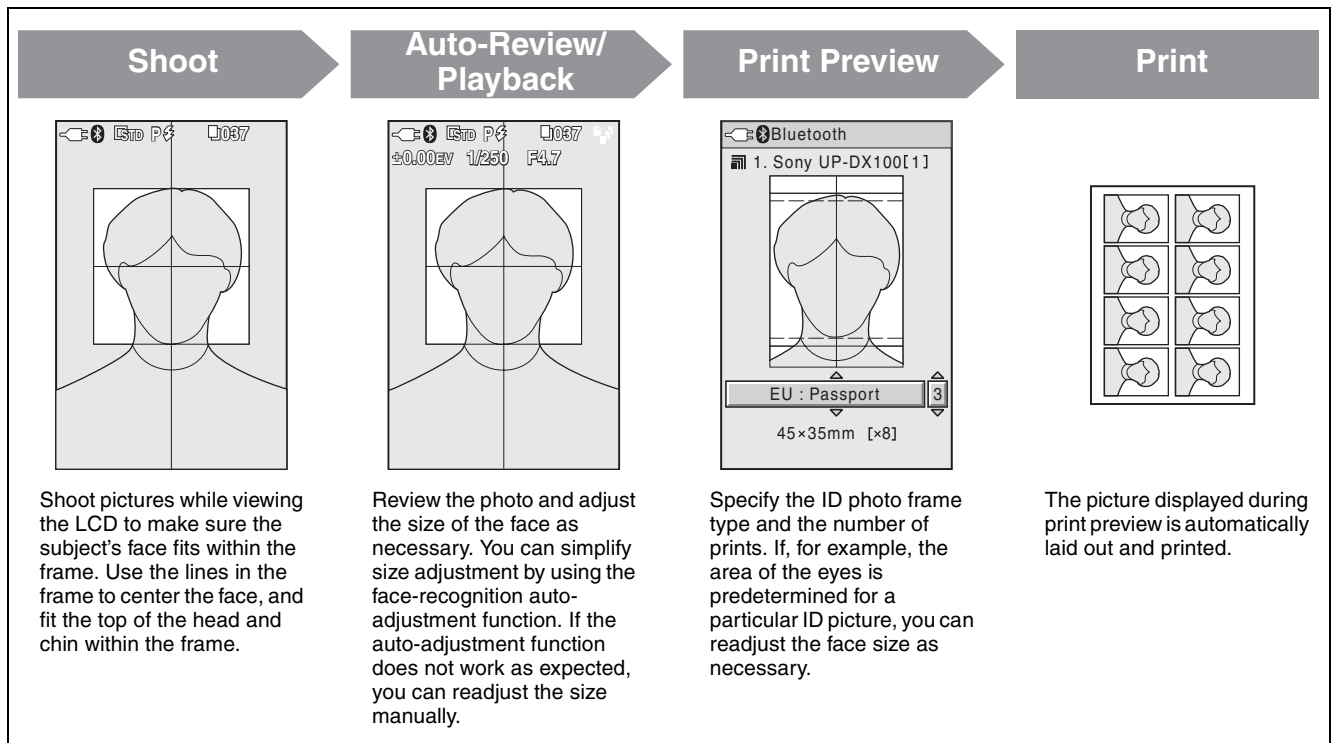


Note

Camera image data cannot be sent to any other peripheral device but the printer.

Operation Flow

This system allows you to shoot and print ID pictures in which facial sizes can be adjusted to fit specific frame standards.



Useful Features

Additional frames

If an ID photo frame you desire is not provided or you simply wish to modify one of the ID photo frames provided, you can register up to five additional frame types.

Die-cut print

You can enable the die-cut print function to print an extra 3 mm around all sides of a picture, creating ideal prints for die cuts.

Print queue

By enabling the print queue function, you can select multiple pictures and print them one after the other.

Color and black & white adjustments

This system allows you to adjust color and black & white print settings from the camera. You can quickly confirm adjustment results using the guide print function.

Flash Modes and Example Shooting Conditions

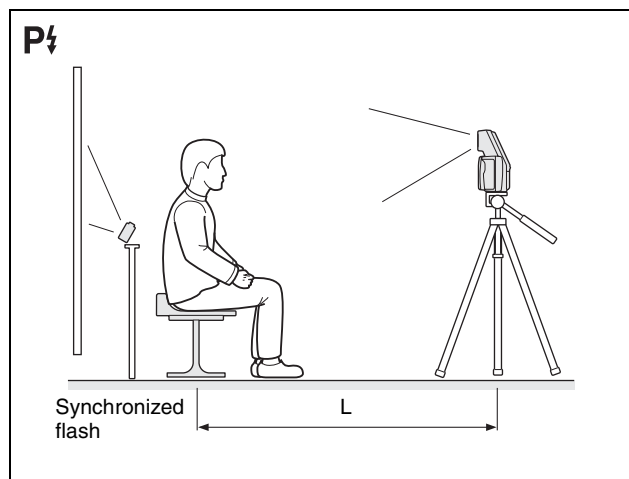
The camera offers three flash modes.

When setting up, make sure the distance between the camera and the subject (L) is set so that apparent face size fits the selected frame (guidelines) at about 1.8 meter. Minor adjustments to apparent face size can be made with the zoom.

Auto Flash (P $\frac{1}{2}$)

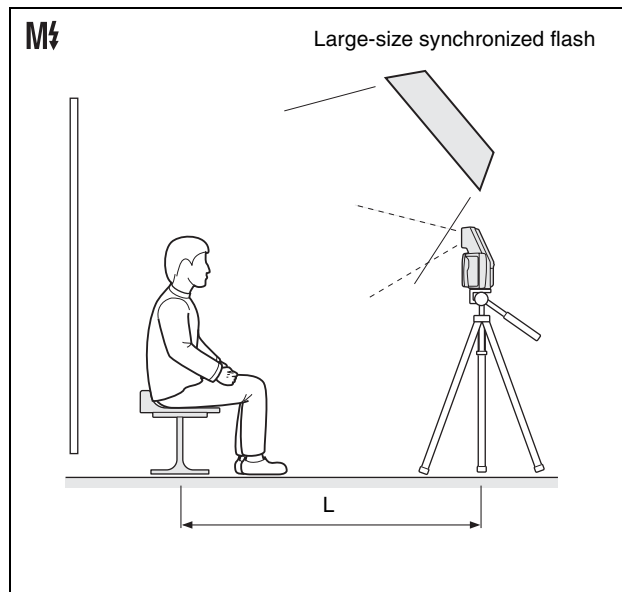
The built-in flash fires at optimum brightness for a subject about 1.8 meter away.

Use the \blacktriangle and \blacktriangledown control buttons to set a negative EV value when the distance L is less than 1.8 meter, or a positive EV value when the distance is more than 1 meter. Be sure to take a test picture to check the results. This mode is suitable for indoor ID portraits in which the built-in flash is the main light source and a shadow-clearing flash is connected to the camera by synchronization cord.



Forced flash + manual exposure mode (M $\frac{1}{2}$)

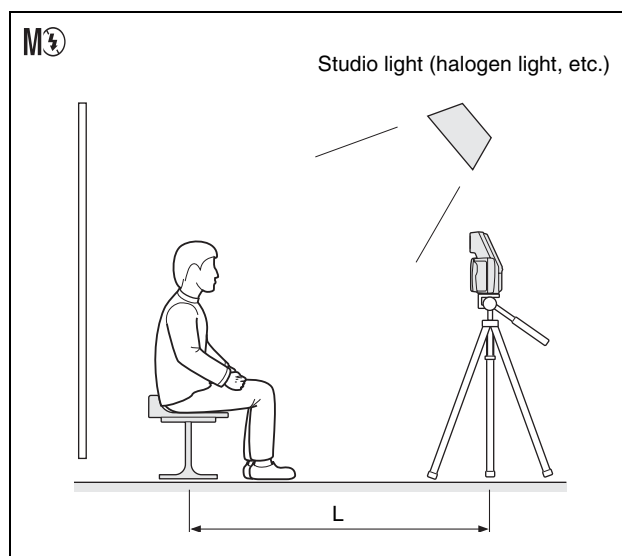
You can manually set aperture and, shutter speed, and select one of seven flash intensity levels ($\triangleleft 0.5EV$) for the built-in flash before shooting. This mode is suitable for shooting portraits in which the built-in flash acts as a trigger for the main light source, an external flash connected to the camera by synchronization cord.



No flash + manual exposure mode (M $\frac{2}{3}$)

In this flash mode, the aperture and shutter speed are set manually, and the built-in flash does not fire.

The built-in flash does not fire. This mode is suitable for shooting indoors under stable light sources, such as studio light, video light, and fluorescent light.



Flash Mode Setting Parameters

The flash mode is factory set to Program, but you can change the setting using the menus if necessary. The shooting conditions available for configuration differ depending on the flash mode setting, as shown in the table below.

Flash Mode	Flash Control	Aperture	Shutter Speed	White Balance	Exposure Compensation
Controlled Flash without pre-flash P	Program with Zoom and EV	Fixed (F4.7)	Fixed (1/250)	Program	-2.0EV to 0EV to +2.0EV (in 1/4EV steps)
Forced Flash without pre-flash M	7 steps (100/70/50/35/25/18/12%) without Preflash	F4.7 (F4.7 or F5.6)	1/250 (1/2 to 1/1000 [s])	Program , 3000 to 7000K or OnePush	-1.0EV to 0EV to +2.0EV (in 1/4EV steps)
Exhibit Flash M	No Lighting	F4.7 (F4.7 or F5.6)	1/250 (1/2 to 1/1000 [s])	Program , 3000 to 7000K, OnePush	-1.0EV to 0EV to +2.0EV (in 1/4EV steps)

_____ : Default setting

Effects of the F value while shooting

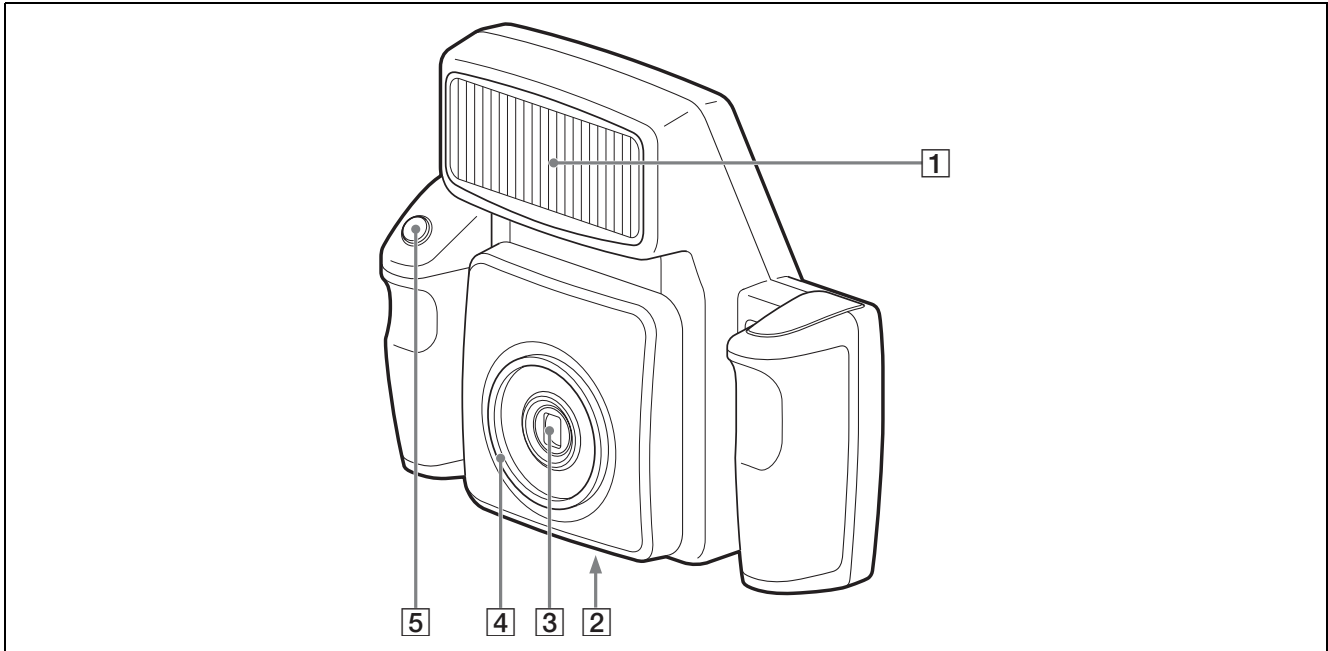
Even if the F value is changed through zoom operations, the flash intensity level and ISO sensitivity are automatically adjusted before shooting to ensure that the brightness of a captured image will not be affected.

Names and Functions of Parts

For details, see the pages in parentheses.

Camera

Front



1 Flash (7, 8)

Fires according to the FLASH MODE setting.

2 Tripod screw hole (16)

Used to attach the camera to the tripod.

3 Lens (f=12.5 to 25.0 mm (1/2 to 1''), F value (open): F-4.7 (W) to F-5.5 (T))

Autofocus lens with 2× optical zoom.

4 Lens filter thread

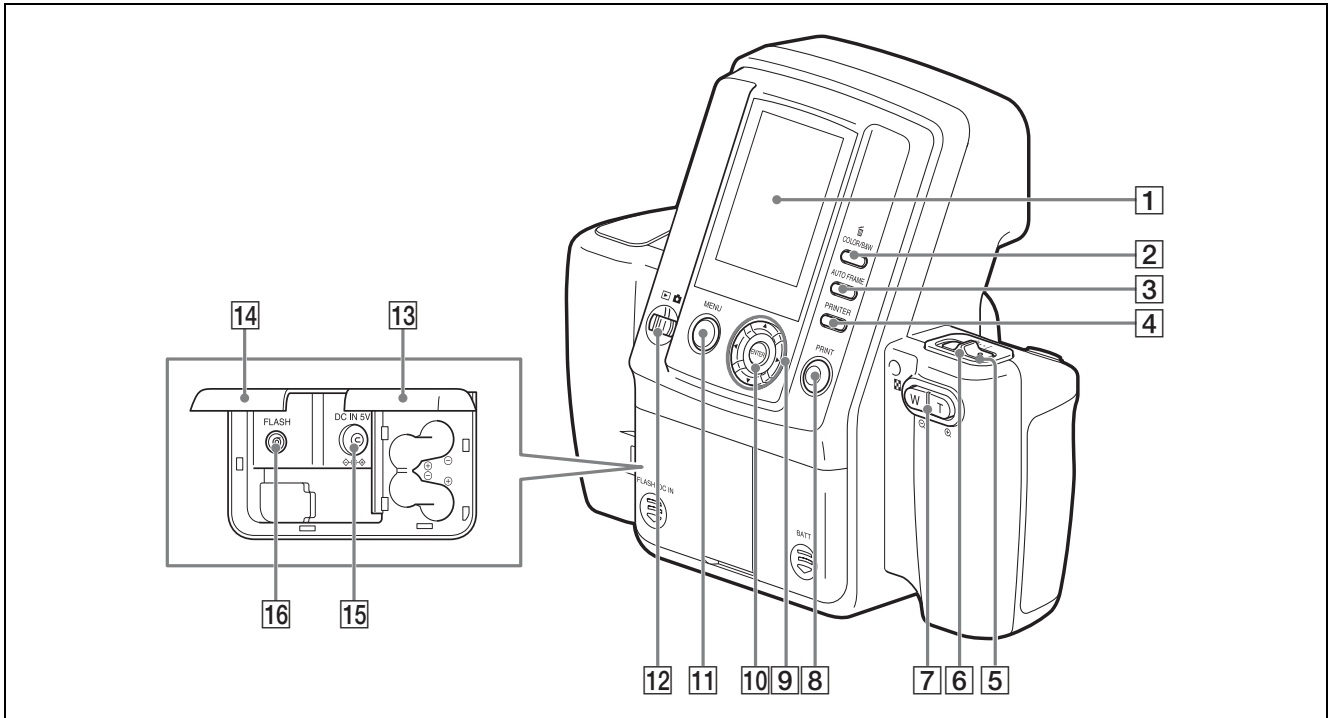
Used to attach a commercially available lens filter (ø 52 mm).

5 Release button (21)

Press this button to capture the image shown on the LCD and record it to the camera's built-in memory.


Pressing the button halfway activates the autofocus function, and pressing it all the way releases the shutter. The captured image is compressed and saved in JPEG format.

Rear



1 LCD screen

Use it to display images captured by the lens, play back images, or display menu.

When the Bluetooth function is active, the  icon is displayed.

2 /COLOR/B&W (Delete/Color/Black & white) button (23, 25)

Delete

During Auto Review mode or image playback, pressing this button deletes the image displayed on the LCD.

Color/Black & white

While the print preview screen is displayed, pressing this button selects whether to print in color or black & white.

3 AUTO FRAME (automatic position matching) button (22, 23)

While the ADJUST screen is displayed, pressing this button automatically determines a face size to fit the frame.

4 PRINTER button (59)

Selects a printer when multiple printers are used.

5 Standby lamp

Indicates the camera's status.

When the mode switch is

Lamp status	Camera status
Lights (orange)	Normal operation
Flashing (orange)	The camera is starting up or Bluetooth authentication is in progress. Or, AUTO ERASE is off and the internal memory is full so that no more images can be stored.
Flashing rapidly (orange)	The camera is preparing to take the next picture, the flash is being charged, or data is being stored.
Flashing (red)	This indicates there is little battery power left if batteries are used.
Flashing rapidly (red)	The camera is shutting down.
Lights (red)	This indicates camera malfunction. Contact your nearest Sony dealer or Sony Service Center.

When the mode switch is

Lamp status	Camera status
Lights (green)	Normal operation
Flashing (green)	The camera is starting up or Bluetooth authentication is in progress.
Flashing (red)	This indicates there is little battery power left if batteries are used.
Flashing rapidly (red)	The camera is shutting down.
Lights (red)	This indicates camera malfunction. Contact your nearest Sony dealer or Sony Service Center.

6 On/standby switch (19, 20)

Turns camera power on or sets it to standby.

7 Zoom lever (21, 22, 23)

When the mode switch is set to

Adjusts the angle of view. In most forms of ID, the size of the face in the photo is regulated. By using the zoom function, you can adjust the size of the face while maintaining a fixed camera position. Up to 2× zoom is available.

T: Telephoto zoom.

W: Wide-angle zoom.

When the mode switch is set to

During playback, switches between nine-picture multiple display and single-picture display.

T: Nine-picture multiple display is switched to single-picture display.

W: The display is toggled between a single-picture display and a nine-picture multiple display.


When displaying the ADJUST screen

Zooms in or out of the displayed image.

T (⊕): Zoom in on an image.

W (⊖): Zoom out of a zoomed in image.

8 PRINT button (23)

When the mode switch is set to  or during auto-review display, press this button to print the image displayed on the LCD. Press the button once to make the adjust screen appear, and press the button again to send the image data to the printer for printing.

9 ◀ ▲ ▼ ▶ control buttons

When the mode switch is set to

Use ▲ or ▼ to change the exposure compensation value (EV value).

When the mode switch is set to

Use ◀ or ▶ to select a playback image to display on the LCD.

When displaying the ADJUST screen

Use these buttons to move the displayed image up, down, left, or right.

When navigating menus

Use these buttons to select and set menu items.

10 ENTER button

Press this button to confirm a selection or operation. During auto-review display or image playback, pressing this button displays the ADJUST screen. While the ADJUST screen is displayed, pressing this button applies the image size adjustments and returns to the previous screen display.

11 MENU button (26, 28)

Press this button to display menus. You can also press this button to exit menus or return to auto-review display from the ADJUST screen.


Note

If you use the MENU button to exit a menu or return to auto-review display from the ADJUST screen, any adjustments you have made will not be applied.

12 Mode switch (19, 24)

You can switch between the following two modes.

: Shooting mode

: Playback mode

13 Battery compartment lid (15)

Insert four commercially available Sony AA NiMH (nickel-metal hydride) rechargeable batteries (type NH-AA, max. 2700 mAh).

14 External connector cover (14, 15)

Open it when connecting to the AC power adaptor or external flash.

15 DC IN jack (14)

Connects to the supplied AC power adaptor.

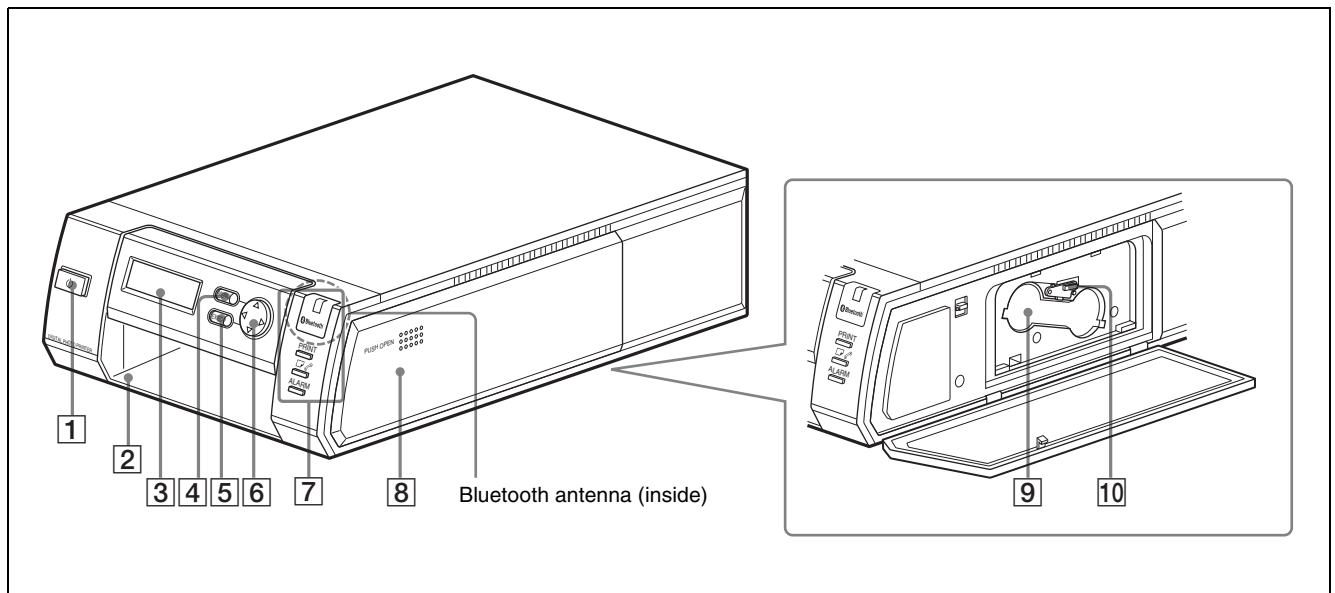
16 FLASH terminal

Connect a cord from an external flash that supports an X sync connection.

When an external flash that supports an X sync connection is connected with the synchronization cord, the flash lights synchronizing with the shutter.

Printer

Front



1 (On/Standby) button/lamp (19)

When you press this button, the lamp lights and power is supplied to the printer. When you press the button again, the lamp turns off and the printer enters standby status.

2 **Paper tray slot (17)**

Insert the paper tray here.

3 **Operation display**

When the printer is on, information such as operation status and menu items display here.

4 **MENU button (31)**

Press this button to display menus or cancel changes made in menus.


5 **EXEC (Execute) button (24, 51)**

Press this button to execute menu items selected while navigating menus and after exchanging the ribbon cartridge.


6 **Control button (24, 51)**

When navigating menus, use this to select and set menu items.

7 **Lamps**

 **Bluetooth lamp:** Lights when the Bluetooth function is enabled.

PRINT lamp: Lights when printing is in progress, and flashes when the printer is receiving image data.

 **lamp:** Lights when the paper or print cartridge runs out or the paper and print cartridge differ in size.

ALARM lamp: Lights when an error such as a paper jam occurs.

8 **Print cartridge cover (18)**

When inserting or removing print cartridges, press the area where PUSH OPEN is written to open the cover.

9 **Print cartridge slot (18)**

Insert the print cartridge here.

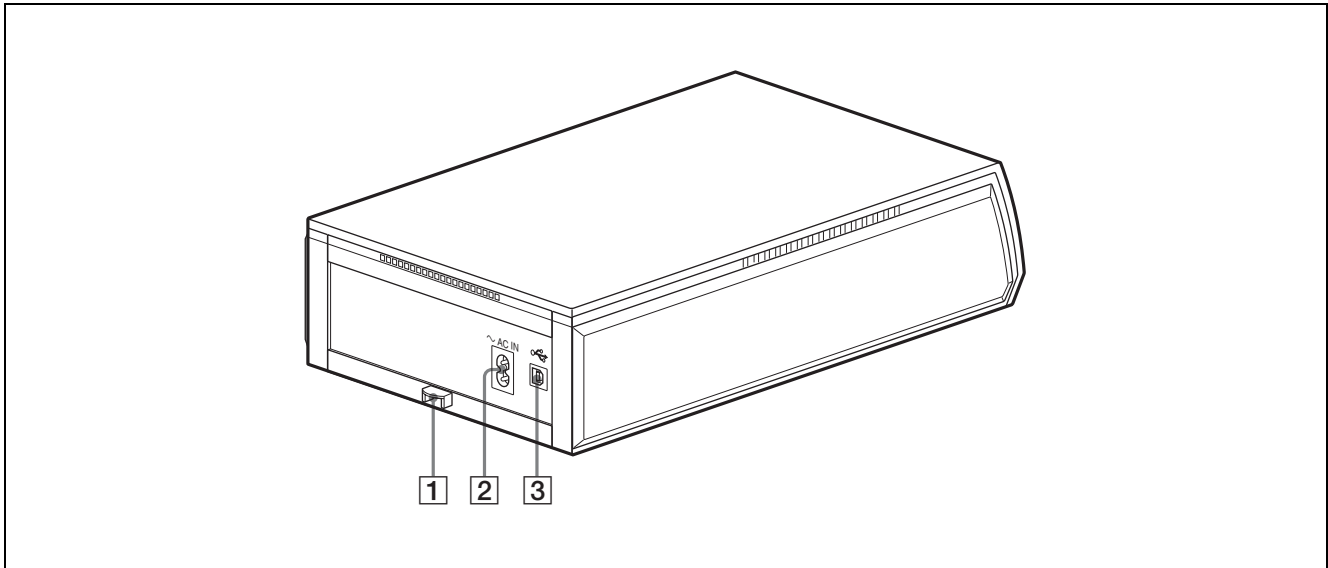
10 **Cartridge release lever (18)**

Raise this when removing a print cartridge.

Note

This lever is disabled while printing is in progress.

Rear



1 Paper jam cover (65)

When a paper jam occurs, remove this cover and remove the jammed paper.

2 ~AC IN connector (19)

Connect to a power outlet using the power cord.

3 USB connector

Not used on this system.

Supplied Accessories

Confirming the Contents

Make sure that the following accessories are supplied with your system.

Paper tray for the UPC-X46 series (1)

Paper tray for the UPC-X34 series (1)

Tray cover (1)

UPA-AC05 AC power adaptor (1)

Cleaning cassette (1)

Warranty card (1)

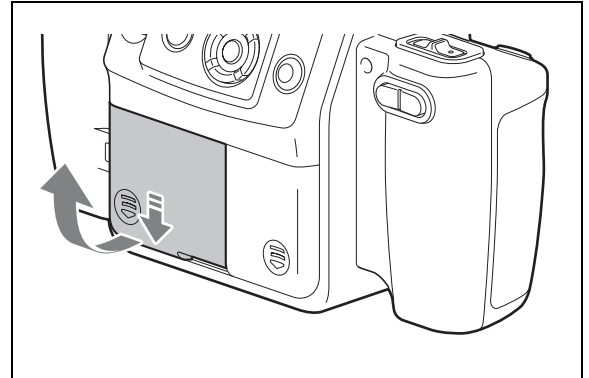
Operating Instructions (1 set)

Quick Reference Guide (1)

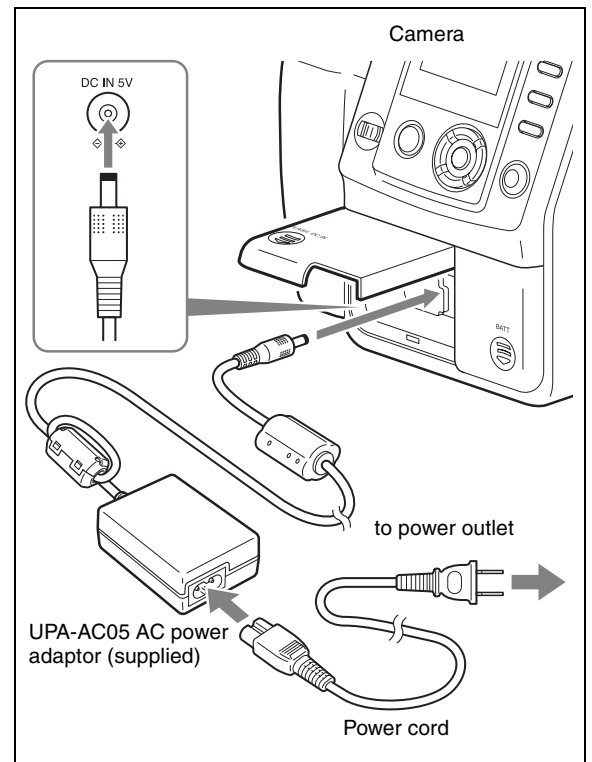
Preparations

Preparing the Camera

- 1 Slide to open the external connector cover.



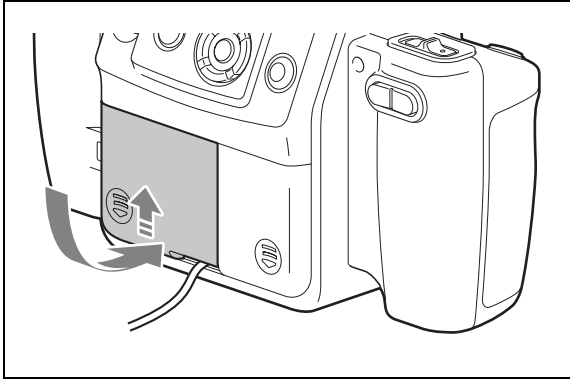
- 2 Connect the supplied UPA-AC05 AC power adaptor to the DC IN jack on the camera, and connect the AC adaptor to a power outlet with the power cord.



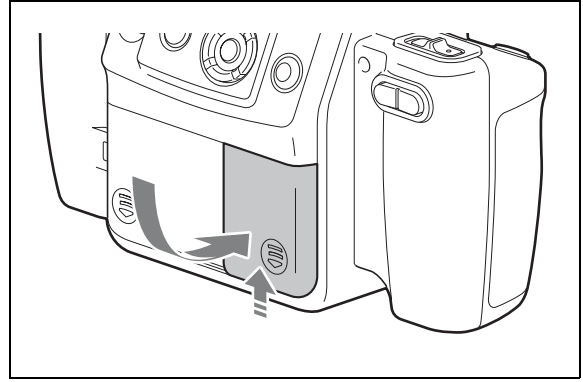
Note

Make sure that the AC power adaptor is near the power outlet during use. If the camera malfunctions, immediately disconnect the AC power adaptor from the power outlet to cut off power supply.

- 3** Close the external connector cover and press down while sliding it to make sure it locks into place.



- 3** Close the cover and press down while sliding it to make sure it locks into place.



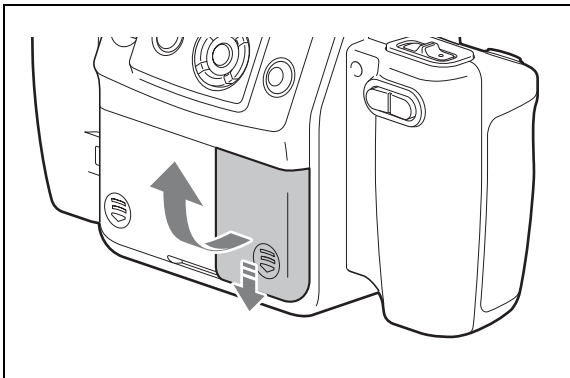
When using batteries

For the camera in this system, you can use four size AA Nickel Metal Hydride batteries available commercially. Use the following steps to insert the batteries into the camera.

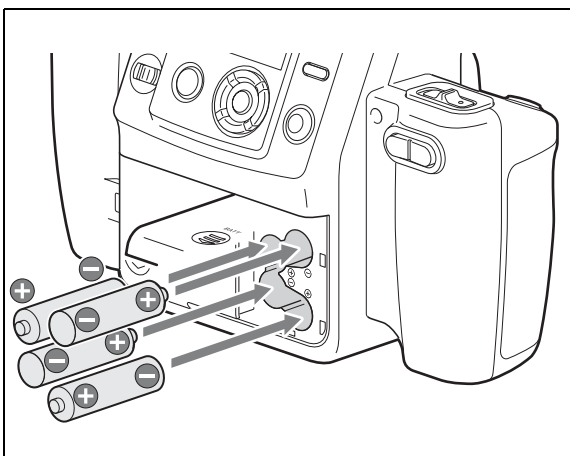
Note

Use only Sony NH-AA (max. 2700 mAh) batteries.

- 1** Slide the battery compartment cover at the rear of the camera to open it.




- 2** Insert the four size AA batteries.







Power Status Indicators

When using an AC power supply

The  icon appears at the bottom right of the camera's LCD.

When using batteries

The following icons appear at the bottom right of the camera's LCD. Use these to get a general idea of when to replace the batteries.

Indicator	Power status
	The batteries are sufficiently charged.
	The battery charge is getting low, but you can continue camera operations. Ready the AC power adapter or a new set of batteries.
	The battery charge is low, and operation will be disabled shortly. Use the AC power adapter or replace the batteries.
 (flashing)	The batteries are fully discharged. Operation is disabled.

Notes

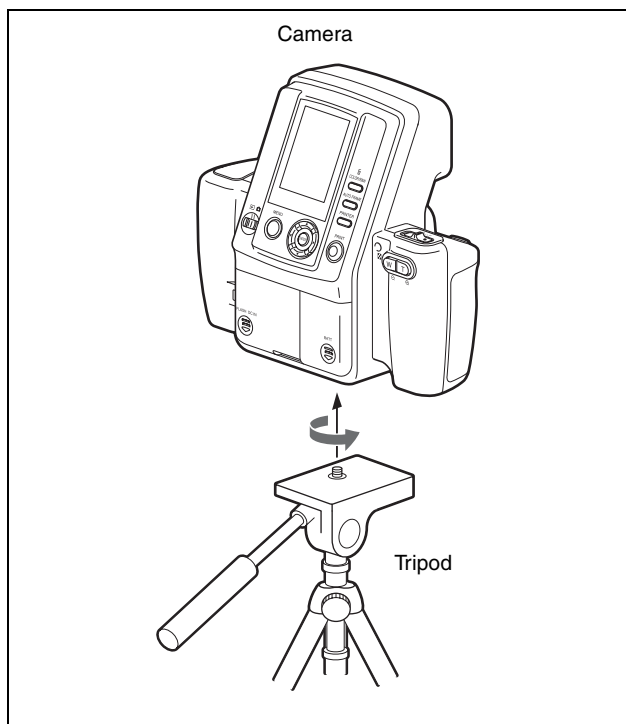
- Connecting the AC adapter while the batteries are inside the camera will not recharge the batteries. To recharge the batteries, use the specifically designed battery charger.
- The above battery indicator icons are optimized for Sony Nickel Metal Hydride (typ. 2000 mAh / typ. 2500 mAh) batteries. Be aware that batteries may become discharged without indication when using other battery types.

To attach the tripod

You can attach the camera to a tripod using the tripod screw hole located on the underside of the camera.

Note

Tighten the screw for the tripod securely. If the screw is loose, the camera may fall off. However, using too much force when tightening may damage the screw hole. Make sure that the screw is inserted straight before tightening it.



Preparing the Printer

Before using the printer for the first time, perform the following steps to insert the print cartridge and paper tray. These preparations are not required at every use. Perform them only when necessary.

Print packs

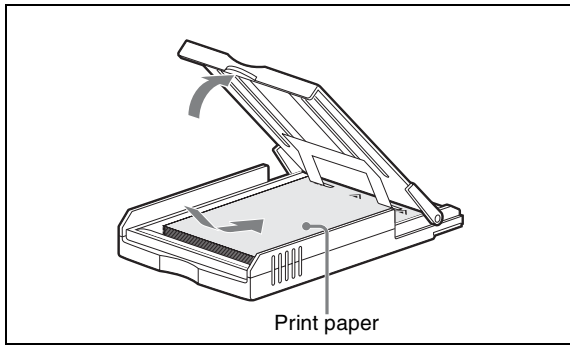
In order to print, a print pack designed for this printer (UPC-X46 series, or UPC-X34 series) (not supplied) is required. A print pack is a set consisting of print paper and a print cartridge.

Notes

- Do not rewind the ink ribbon and use the rewound print cartridge for printing. Doing so may produce incorrect printing results or damage the printer.
- Only use print packs designed for this printer.
- Always use sets of print cartridges and print paper that match in size. Using a print cartridge together with print paper of a different size may produce incorrect printing results or cause paper jams and other problems.
- Do not print on used print paper. Printing an image twice on the same paper will not make the image darker and may damage the printer.
- Avoid touching the printing surface of the print paper and the ink ribbon of the print cartridge, and avoid storing print packs in locations subject to high temperatures and humidity, excessive dust, or direct sunlight. Fingerprints or dust on the printing surface or ink ribbon may lower the print quality.
- When removing partially used print cartridges and print paper from the printer for storage, store them in their original packaging.

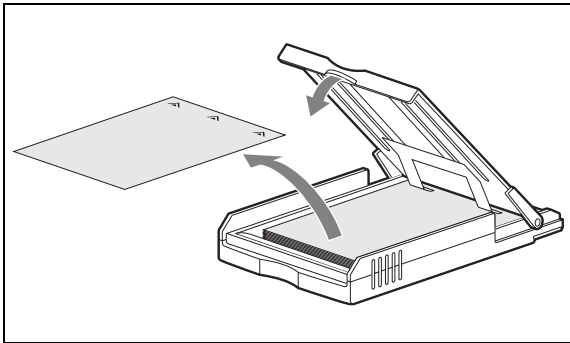
To load the print paper

- 1 Load the print paper into the paper tray.



Riffle through the print paper before loading it with the printing surface (the side without imprinting) facing up. Make sure that the arrow on the protective sheet is pointing in the same direction as the arrow on the tray. You can load up to 25 sheets when using the UPC-X46 series and 30 sheets when using the UPC-X34 series.

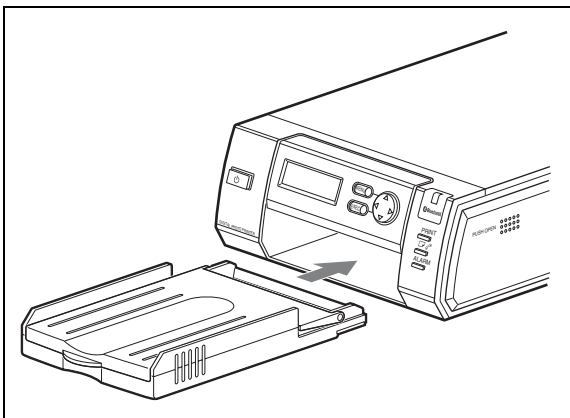
- 2 Remove the protective sheet on the print paper.



Note

Be sure to keep the protective sheet as it is used when cleaning the inside of the printer.


- 3 Insert the paper tray into the printer until it clicks into place.



Note

Do not touch the printing surface. Fingerprints or dust on the printing surface may lower the print quality.

Notes on loading the print paper

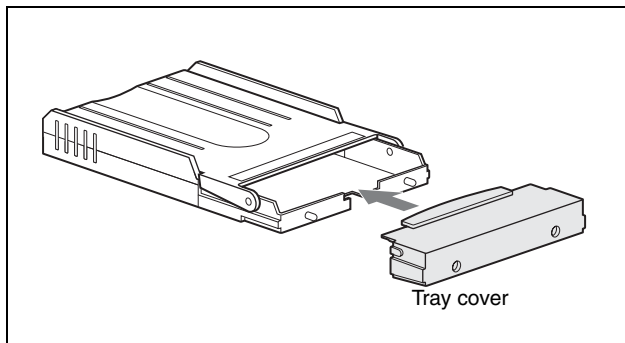
- Load UPC-X46 series print paper into the large paper tray and UPC-X34 series print paper into the small paper tray. Mismatch between the paper and tray sizes may result in a paper jam.
- Do not remove or insert the paper tray while printing is in progress.
- If the print paper does not feed automatically, the  lamp lights and a message displays. Pull out the paper tray, and check for a paper jam.
- When loading additional print paper into the tray, make sure that the total number of sheets does not exceed 25 for the UPC-X46 or 30 for the UPC-X34 series. Do not load different types of paper in the tray together. Doing so may result in a paper jam.
- Do not write or print text on the print paper before printing. The printer may not be able to print on paper that has been written on. When writing on an image after printing, use an oil-based ink pen. Text from word processors cannot be printed on the print surface.
- Do not attach stickers or tape on the print paper before printing.
- Do not print on used print paper. Printing an image twice on the same paper will not make the image darker and may damage the printer.
- Do not fold or bend the print paper before printing. Doing so may damage the printer.
- When paper is ejected after printing, do not allow more than five sheets to accumulate in the paper tray. Doing so may result in a paper jam.

Notes on storage

- Avoid storage in locations subject to high temperatures and humidity, excessive dust, or direct sunlight.
- Do not store print paper sheets with their printing surfaces touching each other. Also, do not allow printing surfaces to remain in contact with plastic or rubber materials containing vinyl chloride or plasticizers for extended periods of time. Doing so may result in discoloration or bleaching.
- When removing unused print paper from the printer for storage, store it in its original packaging.

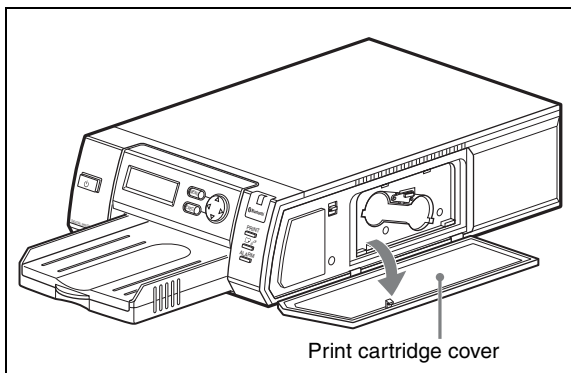
To attach the tray cover

Keep the supplied tray cover on the paper tray when not in use to protect the print paper inside from dust and other particles. You can attach a tray cover to any of the UPC-X46, and UPC-X34 series' paper trays.

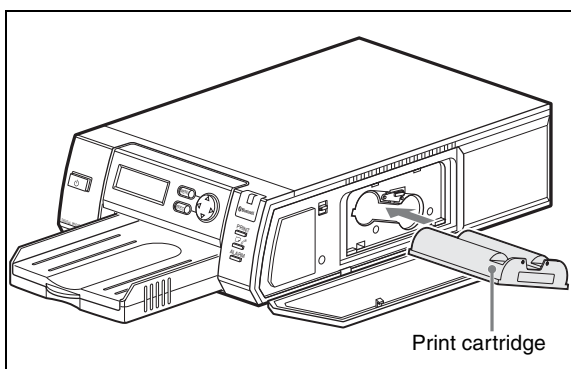


To load the print cartridge

- 1 Press the upper portion of the print cartridge cover where PUSH OPEN is written to open it.




- 2 Insert the print cartridge into the cartridge slot, and push until it clicks into place.

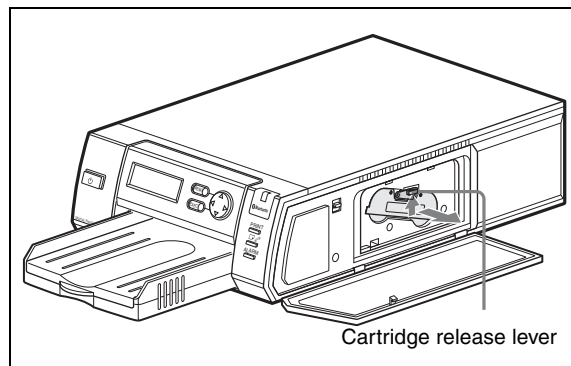


- 3 Close the print cartridge cover.
- 4 Press the EXEC button.

To replace the print cartridge

When the print cartridge runs out, the  lamp lights and an error message appears on the operation display. Perform the following steps to replace the print cartridge.

- 1 Press the upper portion of the print cartridge cover where PUSH OPEN is written to open it.
- 2 Raise the cartridge release lever.

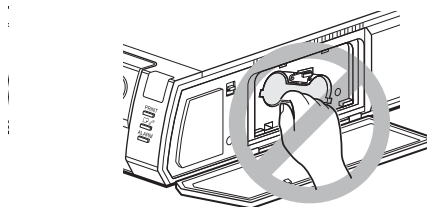


The cartridge is released, allowing you to pull it out.

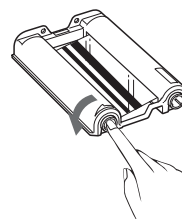
- 3 Insert a new print cartridge, and close the cover.
- 4 Press the EXEC button.

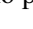
Notes

- Never put your hand into the cartridge slot as the inside can reach high temperatures.



- Do not rewind the ink ribbon and use the rewind print cartridge for printing. Doing so may produce incorrect printing results or damage the printer.
- If the print cartridge does not insert properly, remove it once before reinserting it. If the ink ribbon is too slack to be loaded, remove the slack by winding the ink ribbon in the direction of the arrow while pressing the spool. This is the only time the ink ribbon should be wound.



- When you turn on the printer with no print cartridge loaded, the  lamp lights.

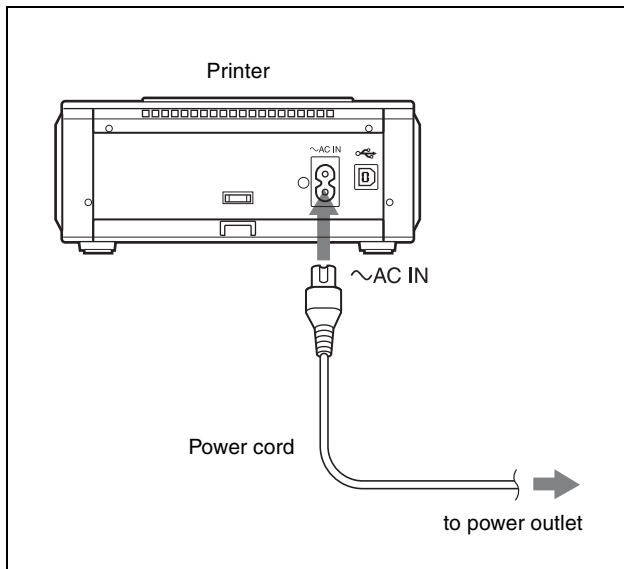
- Do not touch the ink ribbon or place the print cartridge in a dusty location. Fingerprints or dust on the ink ribbon may lower the print quality.
- Do not remove or insert print cartridges while printing is in progress.

Notes on storage

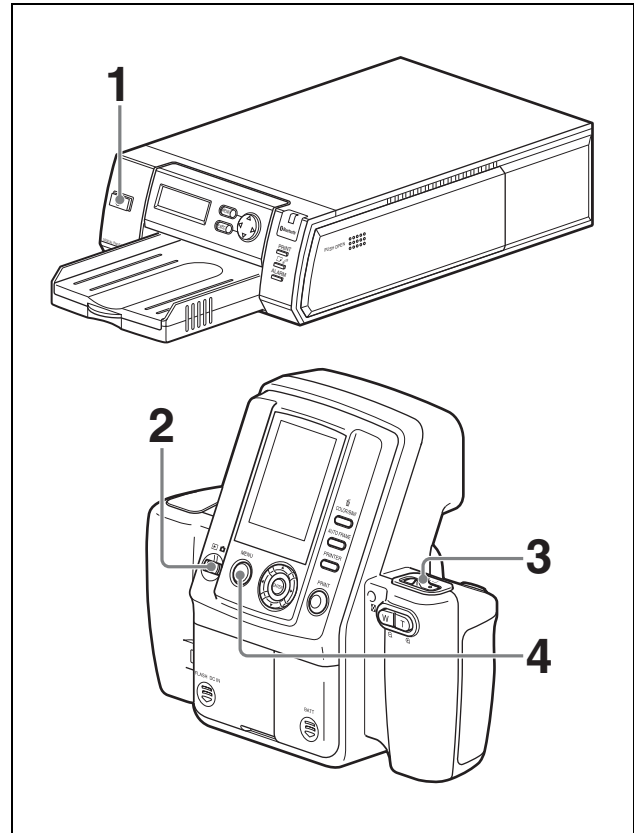
- Avoid storage in locations subject to high temperatures and humidity, excessive dust, or direct sunlight.
- When removing a partially used print cartridge for storage, store it in its original packaging.

To connect the printer to a power outlet

Connect the printer to a power outlet using the power cord.



Turning On the Power



1 Turn on the printer.

Check that Ready BT RSSI [- - - -] appears on the operation display.

2 Set the mode switch on the camera to .

3 Set the on/standby switch on the camera to **I** (on).

When turning on the camera for the first time, the default setting screen appears.

For details on default settings, see “The first time you turn on the camera (default setting)” on page 20.

The camera starts searching for the printer, and “DISCOVERING” appears on the LCD. When the camera finds the printer, “DISCOVERED” appears, and the printer name and Bluetooth address are displayed in black on the LCD. If the color of the printer name and Bluetooth address do not change to black but remain in gray, set the printer and camera to standby mode and perform steps **1** through **3** again.

4 Press any button on the camera.

The Bluetooth display is turned off, and you can start taking a picture.

If the printer name and Bluetooth address are still displayed in gray, and “DISCOVERED” does not appear, or “NO PRINTER” appears, see “Adding/ Registering a Printer” on page 57, and take appropriate action. If the problem still persists, contact your Sony dealer or your Sony service facility.


The first time you turn on the camera (default setting)

When you turn on the camera the first time, the default setting screen appears before your camera connects to the printer via Bluetooth. Use the following steps to select a language and a region.

- 1 Press the ▲ or ▼ control button to select a language and then press then ENTER button.
The REGION screen appears.
- 2 Press the ▲ or ▼ control button to select a region, and then press the ENTER button.
A screen appears for you to confirm the selected language and region.
- 3 Press the ▲ or ▼ control button to select OK, and then press the ENTER button.

To set the printer and camera to standby mode

When you finish your operation, set the printer and camera to standby mode.

- 1 Press the on/standby button to set the printer to standby mode. The lamp goes out, and the printer is set to standby mode.
- 2 Set the on/standby switch on the camera to  (standby).

The camera stores the latest setting data in memory and enters standby mode. While the camera is storing data, the clock appears on the LCD, and the standby lamp is lit. During transfer of data for storage, do not disconnect the AC power adaptor or remove the batteries.

Note

If you cut off the power supply by disconnecting the AC power adaptor or removing the batteries while the camera transfers settings data to memory, any new settings may be lost, and the camera may revert to its previous settings.

Operations (Shooting and Printing)

Image resolution settings

If you want to place priority on picture quality, we recommend setting RESOLUTION to HIGH in advance.

For details on how to select an image resolution, see “Setting the Image Resolution” on page 32.

Shooting condition settings

The shooting condition settings on the camera are factory set to allow shooting without manual configuration, but you can change the shooting conditions as necessary using Shooting menu.

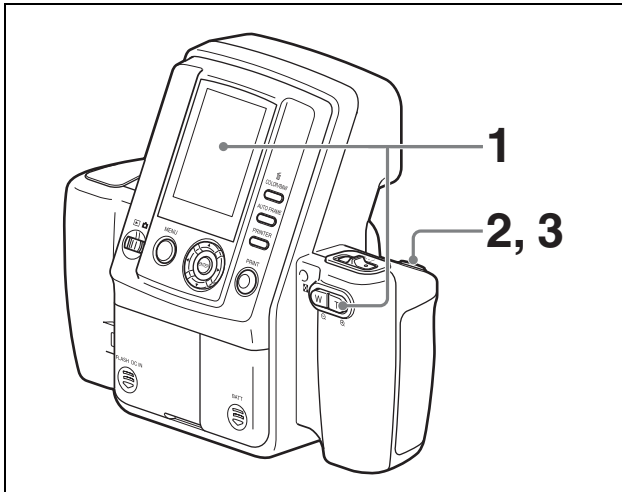
We recommend configuring the settings to match your usage environment.

For details on setting the shooting conditions, see “Flash Mode Setting Parameters” on page 8.

Note

Images may be damaged and the camera may not operate properly if power is cut off while shooting or deleting pictures. Make sure that the AC power adaptor does not disconnect and the battery compartment cover does not open during operation.

Taking a Picture



- 1** Point the camera at the subject, and adjust the frame while monitoring the camera LCD. Pressing the zoom lever allows you to adjust the frame by zooming.
T: Telephoto zoom.
W: Wide-angle zoom.
 When composing the picture, make sure the subject's face fits within the frame on the LCD. Enlarge the face as much as possible while keeping the entire face within the frame.
- 2** Press the release button halfway to focus. Once the subject is in focus, a green focus mark appears on the LCD. If the focus mark turns red when you press the release button halfway, the picture is not in focus. Slowly press the release button halfway again.
- 3** Press the release button halfway until the focus mark turns green, then press the button the rest of the way. A picture is taken, and it appears immediately on the LCD. This feature is known as the auto-review display. The picture is also simultaneously stored in the camera's internal memory. During the transfer of data to memory, the standby lamp rapidly flashes orange. Once the data is stored and the built-in flash is charged for the next picture, the standby lamp lits orange.

Pictures can be printed directly from the auto-review display without switching the mode switch setting.

For details, see "Printing the Last Picture Taken (From the Auto-Review Display)" on page 22.

To take the next picture, press the release button or zoom lever to turn off the auto-review display, and then repeat steps **2** and **3**.

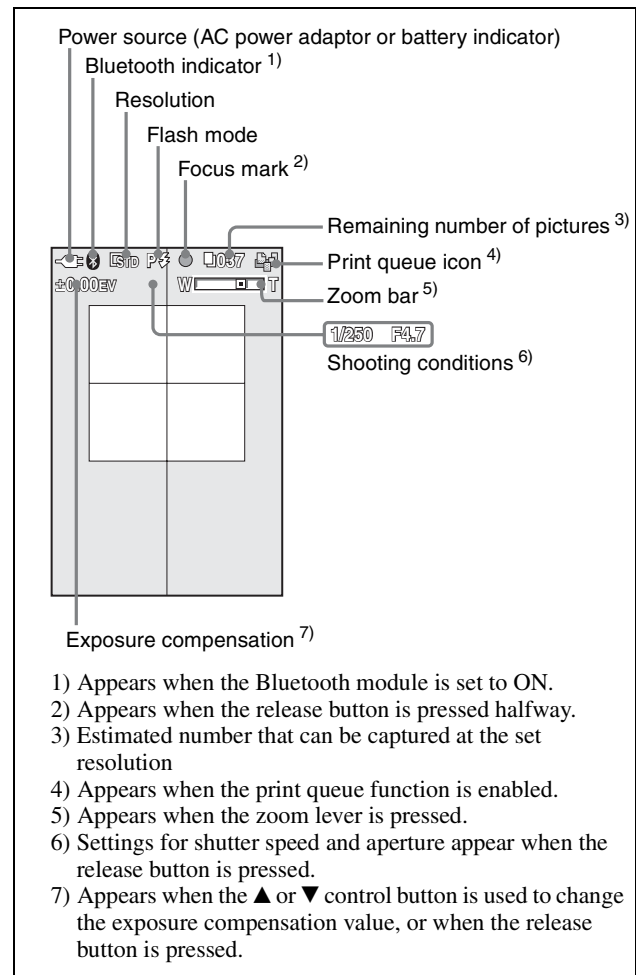
To delete the last picture taken

Perform the following steps to delete the last picture taken while it appears in the auto-review display.

- 1** Press the button. A screen asking you to confirm deletion appears.
- 2** Select OK by pressing the control button, and then press the ENTER button. The picture displayed on the LCD is deleted, and the camera returns to Shooting mode.

The LCD in Shooting mode

The following is an example of how the LCD may appear when the mode switch is set to .



Note

To make it easy to determine the frame of the subject, this camera keeps the brightness of the LCD at a certain level, regardless of the exposure, brightness of the subject, or lighting conditions of the surrounding areas. For this reason, the brightness of the LCD is different from the actual brightness of the captured image.

Autofocus function

Pressing the release button halfway activates the autofocus function. Once the subject is in focus, a green focus mark appears in the top of the LCD. When you press the button the rest of the way, the shutter releases and the picture is taken.

If the subject is out of focus when the button is pressed halfway, a red focus mark appears on the LCD. Lift your finger off the release button, and then slowly press the button halfway again. Even if the red focus mark appears, you can press the release button the rest of the way to take the picture.

Pressing the release button fully instead of pausing halfway will still take a picture, but the autofocus and exposure compensation functions will not activate. If SOUND of the SETUP menu is set to SHUTTER or ON, a sound is heard when the release button is pressed halfway and when pressed again the rest of the way.

Note

If slowly pressing the release button halfway does not refocus the image, set the camera to standby mode and then turn it on again.

In addition, the autofocus function may not work properly in the following situations:

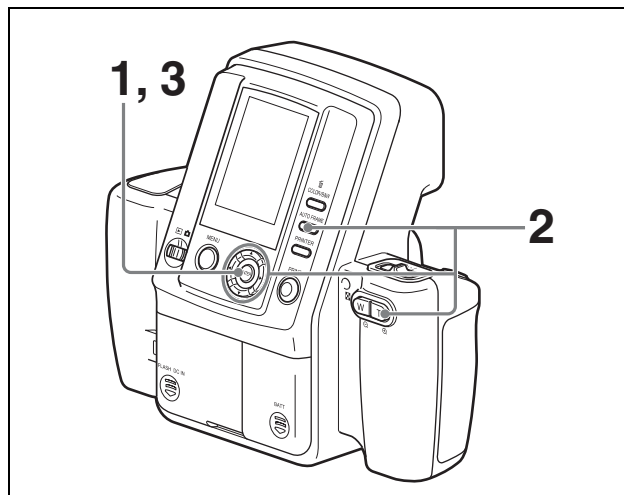
- The subject lacks enough contrast.
- The subject includes an extremely bright object.
- The background is abnormally dark.
- The subject is positioned within 80 cm of the camera.

Exposure compensation function

Exposure compensation can easily be obtained by pressing ▲ or ▼ of the control button. Each time you press the button, the exposure compensation value displayed on the LCD changes.

For details on the exposure compensation, see "Compensating the Exposure" on page 35.

Printing the Last Picture Taken (From the Auto-Review Display)



- 1** During auto-review display, press the ENTER button.
The ADJUST screen appears, and a frame is displayed in red on the LCD.
- 2** Adjust the size of the image.
 - 1)** Press the AUTO FRAME button.
The image is automatically adjusted so that the face size of the subject fits the frame.
 - 2)** If necessary, use the following buttons to adjust the size of the image.
 - You can use the zoom lever to zoom in the image, or zoom out of the zoomed in image.
 - You can press the ▲, ▼, ◀, or ▶ control button to move the display position of the image.

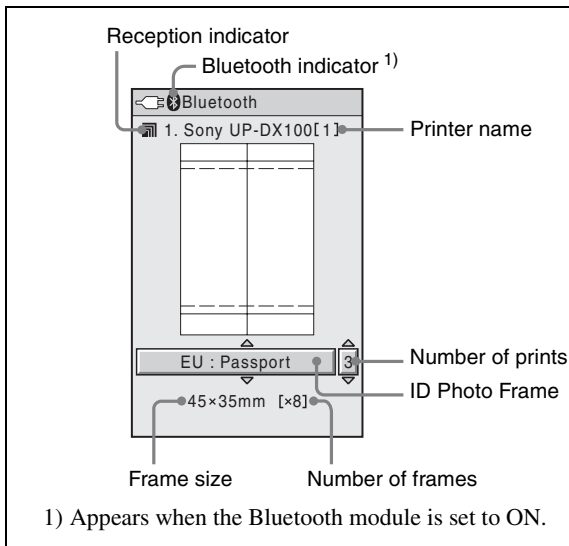
Note

If you press the AUTO FRAME button for an image with a non-uniform background, the automatic adjustment function may not work properly. In such cases, press the zoom buttons or the ▲, ▼, ◀, or ▶ control button to manually adjust the size and display position.

In addition, the automatic adjustment function may not work properly if a face is too large or too small for the frame on the LCD.

- 3** Press the ENTER button.
The LCD returns to the auto-review display. The adjustments are applied, and the camera returns to auto-review display.
If you press the MENU button, the camera returns to auto-review display without applying the adjustments.

- 4** Press the PRINT button.
The print preview screen appears.
You can return to the auto-review screen (or playback screen) by pressing the MENU button.



You can use the reception indicator on the top left part of the screen to check the reception state.

- ■ ■ : The reception is good.
- ■ : The reception is weak and therefore it may take more time to send images.

Do not move the camera and printer until data transmission is finished.

- 5** Press the ▲ or ▼ control button to select a ID photo frame.
Press the ▲ or ▼ button repeatedly until the desired ID photo frame appears.

For details, see “Setting up a Frame for Display During Printing” on page 37.

- 6** Specify the number of copies to print.
- 1) Press the ► control button once.
Now you can select the number of copies to print.
 - 2) Press the ▲ or ▼ control button to select the number of copies to print.
- 7** Press the COLOR/B&W button to select whether to print in color or black & white.
- 8** If necessary, adjust the size of the image to match the selected ID photo frame.
- 1) Press the ENTER button.
The ADJUST screen appears.
 - 2) Press the AUTO FRAME button.
The image is automatically adjusted so that the face size of the subject fits the frame on the screen.

- 3) If necessary, use the following buttons to adjust the size of the image.
 - You can press the zoom lever to magnify or reduce the image.
 - You can press the control buttons (▲▼◀▶) to move the displayed part of the image.

- 4) Press the ENTER button to return to the print preview screen.

- 9** Press the PRINT button again.

Picture data are transmitted to the printer, and “TRANSMITTING” and the progress bar appear on the LCD.


While the CANCEL button is lit in orange, you can cancel data transmission by pressing the ENTER button.


When data transmission ends, the CANCEL button changes to gray. The printer checks the print pack then starts printing.

Notes

- Once the CANCEL button changes to gray, you cannot cancel the print operation.
- Do not touch any button on the camera while the CANCEL button is gray.

Once printing begins, “TRANSMISSION END. PUSH MENU KEY TO CONTINUE.” appears on the LCD of the camera. Press the MENU button to remove the message.

When the mode switch is set to , the LCD returns to the auto-review display. Once printing ends, you can print the same picture again at a different size, color, etc. You can also take another picture during printing. To take the next picture, press the release button halfway or press the zoom lever to turn off the auto-review display.

When the mode switch is set to , the LCD returns to the playback image.

When a picture is printed, it is ejected onto the paper tray on the printer.

An image number is printed at the bottom of the printed image. This is the same number that appeared at the top of the LCD during image playback.

Note

Do not allow printed sheets to accumulate on the paper tray. Be sure to remove sheets ejected onto the paper tray every five sheets.

To adjust the print quality

On the camera, you can independently adjust the print quality for color pictures and black & white pictures and store the adjusted values. Once these values are stored, the camera automatically selects the appropriate adjusted value for color prints and black & white prints, respectively.

For details on adjusting the print quality, see “Adjusting the Picture Quality” on page 44.

To adjust black & white print quality

When you print a picture in black & white by selecting B&W, the picture is printed by overlaying yellow, magenta, and cyan, and therefore may not be perfectly achromatic. To adjust the black tone, you can use the print quality adjustment function on the printer.

Printing a Picture Stored in the Camera’s Built-In Memory

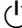
When a picture is taken, its data is stored in the camera’s built-in memory. To print stored pictures, view them in Playback mode and select the picture you wish to print. Then perform the same steps as when printing a picture from the auto-review display (on page 22).

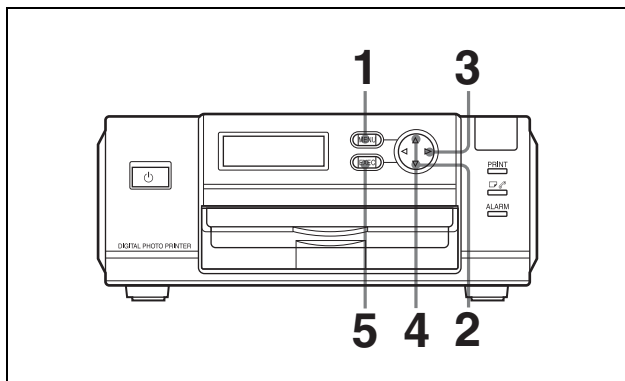
For details on viewing pictures stored in memory, see “Viewing a Picture on the LCD” on page 24.

Reprinting a Picture Stored in the Printer’s Memory (COPY PRINT)





The data for the last picture that was printed is stored in the printer’s memory. You can reprint this picture.

Note

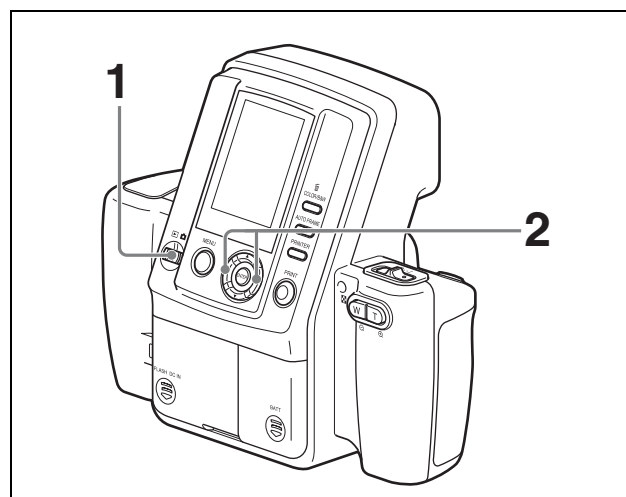
If you press the  button on the printer and set it to standby mode (so the lamp goes out), the data stored in the printer’s memory is deleted, and you cannot reprint the picture.






- 1 Press the MENU button.


- 2 Press  on the control button to display “COPY PRINT [>>].”
- 3 Press  on the control button. “COPY PRINT: 1 [1 – 9 PRINT: EXEC]” appears.
- 4 Set the number of sheets to be printed by press  or  on the control button. A value from 1 to 9 can be set.
- 5 Press the EXEC button. The number of pictures set in step 4 is printed. When printing completes, the READY screen reappears.

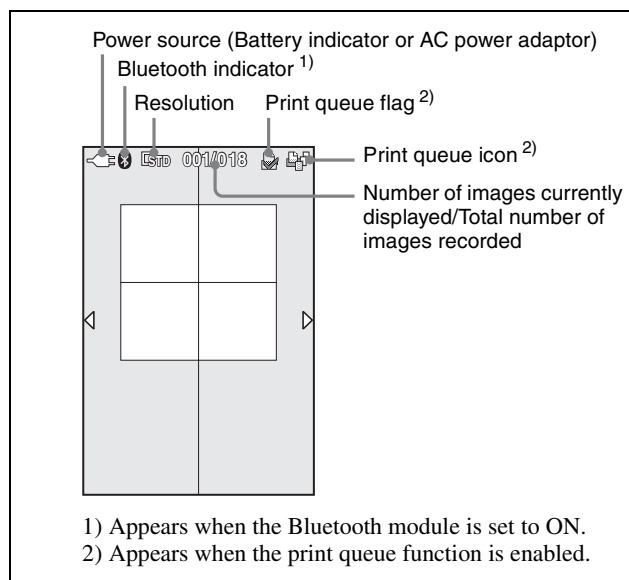
Viewing a Picture on the LCD



- 1 Set the mode switch to . A picture stored in the camera’s memory appears on the LCD.
- 2 Select a picture to view by pressing the  or  control button.

The LCD in Playback mode

The following is an example of how the LCD may appear when the mode switch is set to .



Displaying the nine-picture multiple display

Nine pictures stored in the camera's memory can be displayed at a time on the LCD. Then you can quickly search for a desired picture.

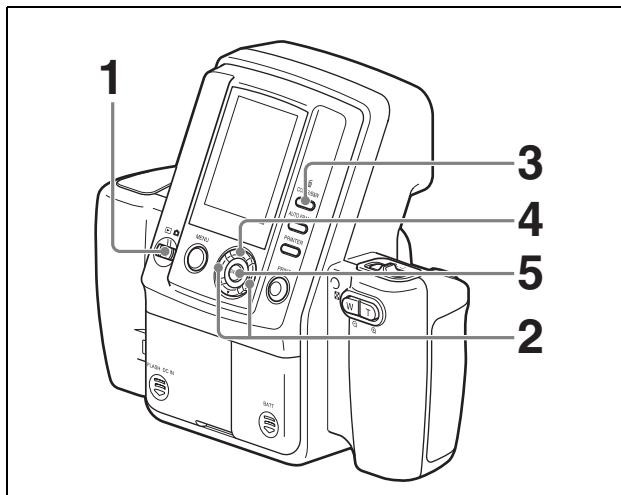
- 1 Press the W side of the zoom lever.



You can see nine pictures stored in camera's memory on the LCD.
- 2 Select a picture by pressing ◀, ▶, ▲ or ▼ of the control button.
Pressing ◀ or ▶ selects the previous or next picture respectively.
Pressing ▲ or ▼ displays the previous or next page respectively.
- 3 Press the ENTER button or zoom lever.
The selected picture is displayed in full screen.

Deleting a Picture

The procedure for deleting pictures is the same for both single-picture display and nine-picture multiple display.

Deleting pictures in playback one by one

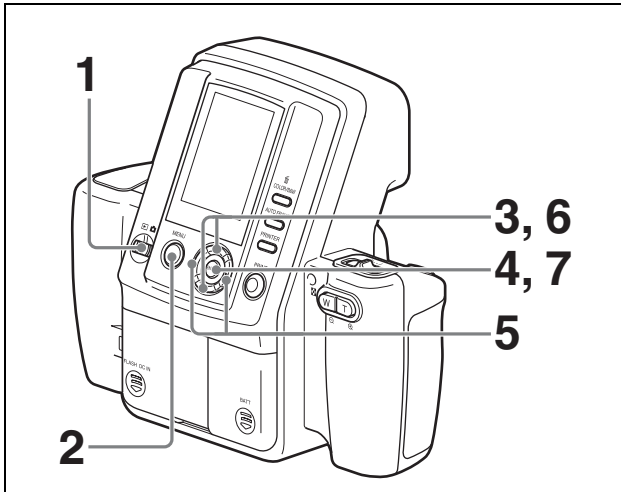


- 1 Set the mode switch to .
- 2 Select a picture to delete by pressing the ◀ or ▶ control button.
- 3 Press the  button.
The DELETE screen appears.
- 4 Select OK by pressing the ▲ control button.
- 5 Press the ENTER button.
The selected picture is deleted from the memory.

To continue deleting pictures

Repeat steps 2 to 5 above.

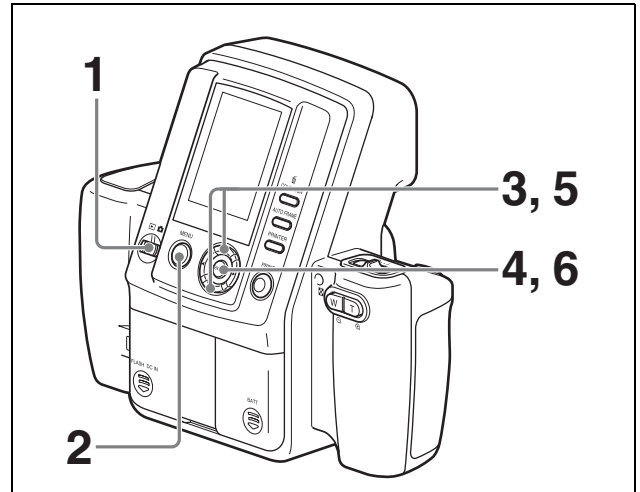
To delete individual pictures from the menu screen



- 1 Set the mode switch to .
- 2 Press the MENU button.
The menu screen appears.
- 3 Select DELETE by pressing the ▲ or ▼ control button.
- 4 Press the ENTER button.
The DELETE screen appears.
- 5 Select a picture to delete by pressing the ◀ or ▶ control button.
- 6 Select OK by pressing the ▲ control button.
- 7 Press the ENTER button.
The selected picture is deleted from the memory.

To continue deleting pictures
Repeat steps 5 to 7 above.

To delete all pictures from the menu screen



- 1 Set the mode switch to .
- 2 Press the MENU button.
The menu screen appears.
- 3 Select DELETE ALL by pressing the ▲ or ▼ control button.
- 4 Press the ENTER button.
The DELETE ALL screen appears.
- 5 Select OK by pressing the ▲ control button.
- 6 Press the ENTER button.

All pictures are deleted from the memory.

To cancel picture deletion

Select CANCEL on the DELETE screen, and then press the ENTER button. The Playback menu reappears.

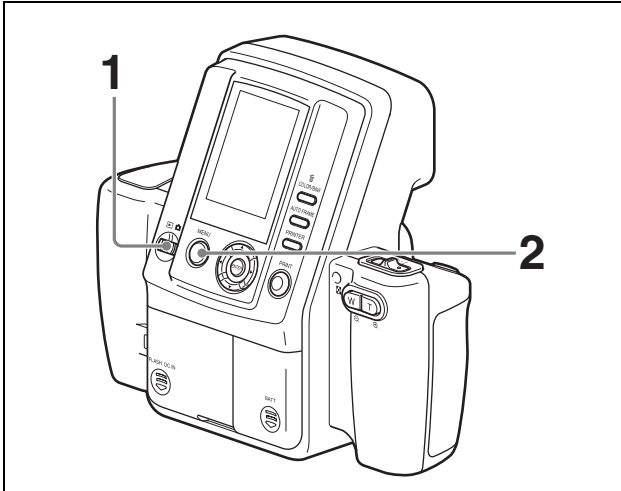
To exit picture deletion


Press the MENU button.

Settings

There are three types of camera menus: the Shooting menu for setting shooting conditions, the Playback menu for settings related to captured images, and the SETUP menu for configuring the camera itself.

Displaying the Shooting Menu

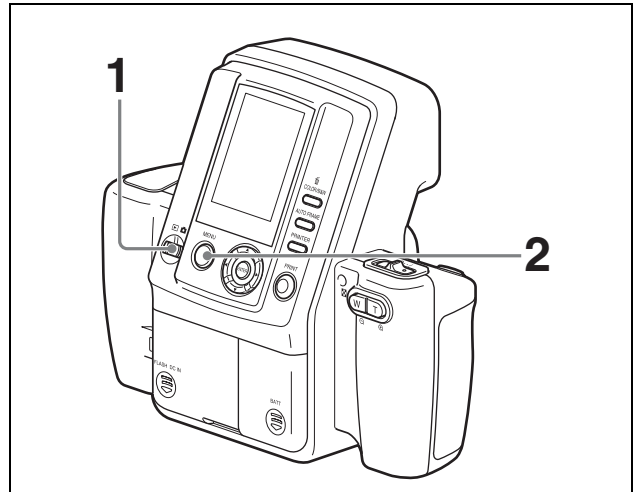



- 1** Set the mode switch to .
- 2** Press the MENU button.
The Shooting menu appears.

To exit the menu and return to the previous screen

Press the MENU button.

Displaying the Playback Menu





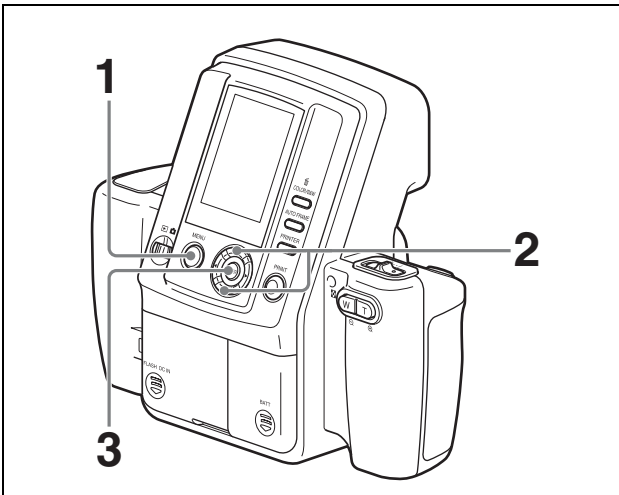
- 1** Set the mode switch to .
- 2** Press the MENU button.
The Playback menu appears.

To exit the menu and return to the previous screen

Press the MENU button.

Displaying the SETUP Menu

The SETUP menu can be displayed regardless of whether the mode switch is set to  or .



- 1** Press the MENU button.
Depending on the mode switch position, the shooting menu or playback menu appears.
- 2** Select SETUP by pressing the ▲ or ▼ control button.
- 3** Press the ENTER button.
The SETUP menu appears.

To exit the menu and return to the previous screen

Press the MENU button.

Menu

Functions of the Menu Items

Shooting menu

Menu Item	Function	Settings
EXIT	Exits Menu mode.	—
RESOLUTION	Selects the resolution for recording.	HIGH (3264 × 2448) STD (1632 × 1224)
AUTO ERASE	Sets the auto erase mode.	ON When memory becomes full, data is deleted in order from the oldest when new picture data is stored. OFF When memory becomes full, pictures can no longer be taken.
FLASH MODE	Selects the flash mode.	P Flash: Auto M Flash: Forced (flash intensity level: 100/70/50/35/25/18/12%) M Flash: OFF
APERTURE	Selects the aperture setting. Valid only when Flash Mode is set to M or M .	F4.7 F5.6
SHUTTER	Selects the shutter speed. Valid only when Flash Mode is set to M or M .	1/2[s], 1/4[s], 1/8[s], 1/15[s], 1/30[s], 1/60[s], 1/100[s], 1/125[s], 1/250[s] , 1/500[s], 1/750[s], 1/1000[s]
WHITE BALANCE	Adjusts the white balance. Valid only when Flash Mode is set to M or M .	Program : White balance is adjusted automatically. One Push: Allows you to capture any image to use as the reference value for white. 3000K, 3500K, 4000K, 4500K, 5000K, 5500K, 6000K, 6500K, 7000K: White balance is adjusted for the selected color temperature.
EXPOSURE	Specify the exposure compensation.	When the flash mode is P : -2.0EV to 0EV to +2.0EV (in 1/4EV steps) When the flash mode is M or M : -1.0EV to 0EV to +2.0EV (in 1/4EV steps)
SETUP	To display the SETUP menu.	(For details, see “SETUP menu” on page 30.)

_____ : Default setting

MENU Lock: Press and hold the MENU button to lock or unlock the menu.

Playback menu

Menu Item	Function	Settings
EXIT	Exits the menu mode.	—
PROPERTY	To display the information on the selected image.	—
DELETE	To delete a picture stored in memory.	—
DELETE ALL	To delete all pictures except the protected ones stored in memory.	—
DELETE ONE FROM QUEUE	Removes the selected image from the print queue.	—
CLEAR QUEUE	Removes all images from the print queue.	—
SETUP	Displays the SETUP menu.	(For details, see “SETUP menu” on page 30.)

MENU Lock: Press and hold the MENU button to lock or unlock the menu.

SETUP menu

Menu Item	Function	Settings
RETURN	Exits SETUP mode and returns to the previous Menu display.	—
PRINT QUEUE MODE	Enables/disables the print queue function.	ON OFF
ID PHOTO FRAME	Selects the ID photo frame shown on the LCD when the print preview screen is displayed. The ID photo frames that can be used with this system are indicated to the right, but are subject to change without notice.	SELECT ALL DESELECT ALL Custom-1 Custom-2 Custom-3 Custom-4 Custom-5 USA: Passport CAN: Passport MEX: Passport COL: Passport VEN: Passport EU: Passport GBR: Passport DEU: Passport FRA: Passport ITA: Passport NLD: Passport ESP: Passport AUT: Passport RUS: Passport TUR: Passport AUS: Passport NZL: Passport JPN: Passport JPN: Driver License JPN: Personal History
CUSTOM FRAME	Allows you to create and register up to five additional ID photo frames of any size.	—
DIE-CUT MODE	Enables/disables the die-cut printing function.	ON OFF

Menu Item	Function	Settings
COLOR ADJUST	Adjusts the print quality for color pictures.	CYN-RED: Adjusts cyan and red. (-7 to <u>0</u> to +7) MAG-GRN: Adjusts magenta and green. (-7 to <u>0</u> to +7) YEL-BLU: Adjusts yellow and blue. (-7 to <u>0</u> to +7) DARK: Adjusts the brightness of dark areas. (-7 to <u>0</u> to +7)
B&W ADJUST	Adjusts the print quality for black & white pictures.	LIGHT: Adjusts the brightness of light areas. (-7 to <u>0</u> to +7) GAMMA: Adjusts the tone of the image. SHARPNESS: Adjusts the sharpness of object contours. (-7 to <u>0</u> to +7)
AUTO POWER SAVE	Allows you to set or disable the AUTO POWER SAVE function.	: Sets the AUTO POWER SAVE function during AC power adapter use. (10 min/ 30 min /DISABLE) : Sets the AUTO POWER SAVE function during battery use. (3 min/ 7 min /10 min)
SOUND	Turns the operation sound on or off.	OFF SHUTTER ON
LANGUAGE	Selects the language.	English /Français/Deutsch/Italiano/Español/Português/Nederlands/Русский/日本語
DEFAULT SETTING	Returns camera settings to their default values.	—
FIRMWARE VERSION	Displays the camera version.	—
Bluetooth	To set for the Bluetooth functions.	PROPERTY: Shows the camera's address and passkey, and the list of the registered printers. CHANGE PASSKEY: For changing the passkey, from 0000 to 9999. (1234) ADD PRINTER: For registering optional printers up to three. REMOVE PRINTER: For removing a registered printer one by one. MODULE: For turning ON or OFF the power of the Bluetooth circuit. (ON)

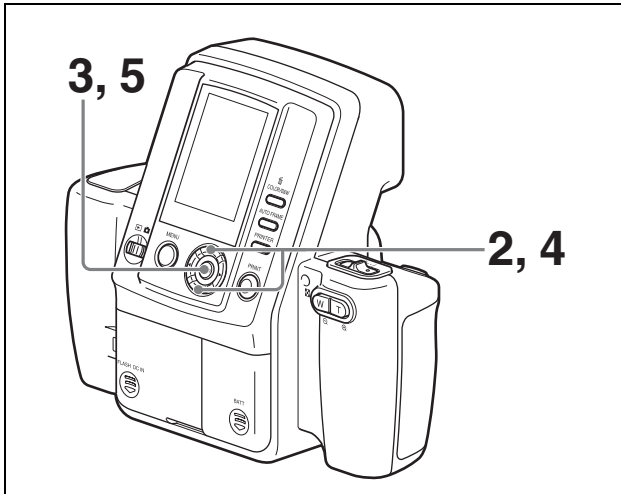
_____ : Default setting

Printer

Menu item	Function	Settings
COLOR ADJUST COLOR	Adjusts the print quality for color pictures.	Not used with this system.
COLOR ADJUST B&W	Adjusts the print quality for black & white pictures.	Not used with this system.
Bluetooth SETTING	You can make Bluetooth settings.	Bluetooth ADDR: The Bluetooth address is displayed. PASSKEY INPUT: A passkey is set or changed. MY DEVICE NAME: The printer can be assigned a number. CONNECTION RECORD: The connection record is displayed. MODULE POWER: The power of the Bluetooth circuits is turned on or off.
PRINT SETTING	Fine tunes the printing position for the UPC-X46 series print paper.	PRINT OFFSET (-2/-1/0/1/2) The printing position can be adjusted in units of 0.5 mm (1/32").
COPY PRINT	Reprints the last picture stored in memory.	[1 - 9] Sets the number of sheets to reprint.
TOTAL PRINTS	Displays the total number of sheets printed.	—

Setting the Image Resolution

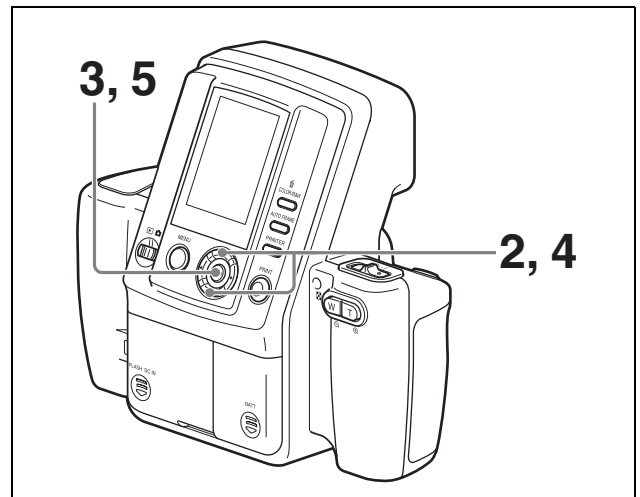
Select the optimal image resolution for your print size.



- 1 Display the Shooting menu.
For details on displaying the menu screen, see “Displaying the Shooting Menu” on page 27.
- 2 Select RESOLUTION by pressing the ▲ or ▼ control button.
- 3 Press the ENTER button.
The RESOLUTION screen appears.
- 4 Select one of the following resolutions by pressing the ▲ or ▼ control button.
HIGH: 3264 × 2448 (approximately 30 pictures can be taken)
STD: 1632 × 1224 (approximately 120 pictures can be taken)
Under normal circumstances, the number of pictures listed above for each resolution can be taken, but the number may decrease if pictures containing complex patterns are included. In Shooting mode, refer to the value displayed at the top right of the LCD.
- 5 Press the ENTER button.
The Shooting menu reappears.

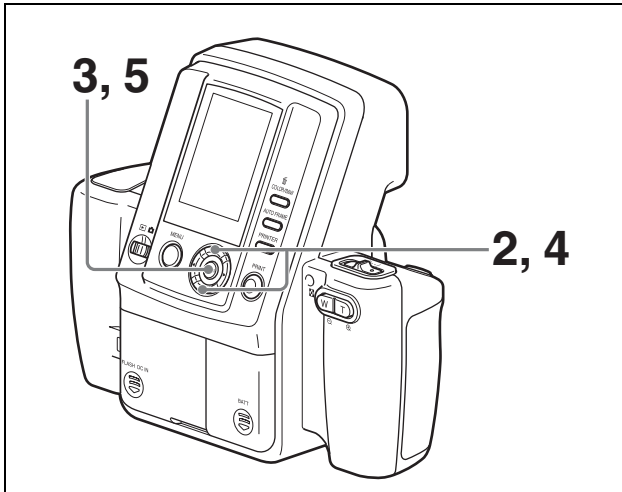
Setting the Auto Erase Mode

You can select the action performed by the camera when the memory is full.



- 1 Display the Shooting menu.
For details on displaying the menu screen, see “Displaying the Shooting Menu” on page 27.
- 2 Select AUTO ERASE by pressing the ▲ or ▼ control button.
- 3 Press the ENTER button.
The AUTO ERASE screen appears.
- 4 Select ON or OFF by pressing the ▲ or ▼ control button.
ON: When the memory is full, stored images are deleted automatically starting with the oldest, and new image data is stored.
OFF: Shooting is disabled when the memory is full.
- 5 Press the ENTER button.
The Shooting menu reappears.

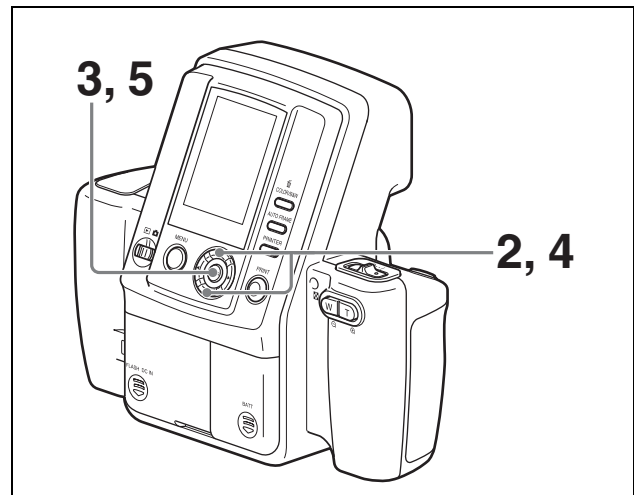
Selecting the Flash Mode



- 1 Display the Shooting menu.
For details on displaying the menu screen, see “Displaying the Shooting Menu” on page 27.
- 2 Select FLASH MODE by pressing the ▲ or ▼ control button.
- 3 Press the ENTER button.
The FLASH MODE screen appears.
- 4 Select the flash mode by pressing the ▲ or ▼ control button.
For details on each mode, see “Flash Modes and Example Shooting Conditions” on page 7.
- 5 Press the ENTER button.
If P $\frac{1}{2}$ or M $\frac{1}{2}$ was selected for the flash mode, the Shooting menu reappears.
If M $\frac{1}{2}$ was selected for the flash mode, the menu for selecting the flash intensity level appears. Select a flash intensity level (100/70/50/35/25/18/12%) using the ▲ or ▼ control button, and press the ENTER button. The flash intensity level is set, and the Shooting menu reappears.

Setting the Aperture

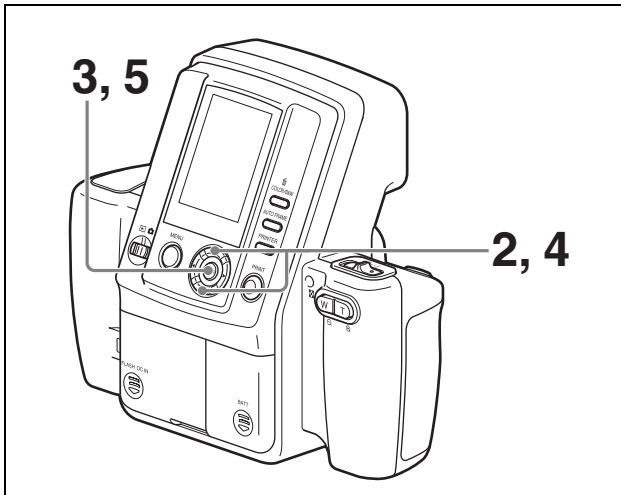
You can only set the aperture when the FLASH MODE is set to M $\frac{1}{2}$ or M $\frac{1}{2}$.



- 1 Display the Shooting menu.
For details on displaying the menu screen, see “Displaying the Shooting Menu” on page 27.
- 2 Select APERTURE by pressing the ▲ or ▼ control button.
- 3 Press the ENTER button.
The APERTURE screen appears.
- 4 Select F4.7 or F5.6 by pressing the ▲ or ▼ control button.
- 5 Press the ENTER button.
The Shooting menu reappears.

Setting the Shutter Speed

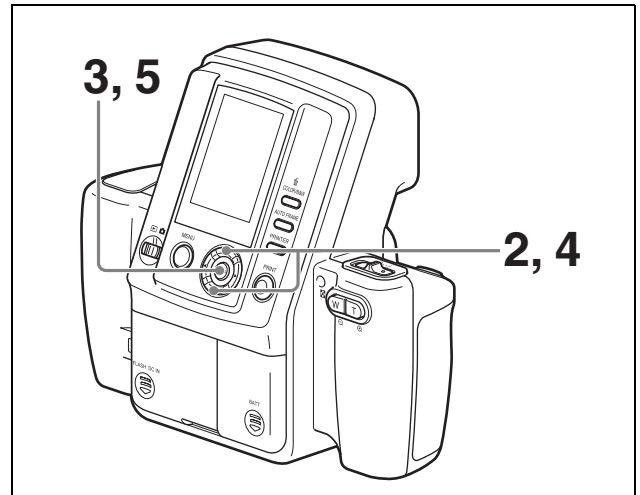
You can only set the shutter speed when the FLASH MODE is set to **M** or **M**.



- 1 Display the Shooting menu.
For details on displaying the menu screen, see “Displaying the Shooting Menu” on page 27.
- 2 Select SHUTTER by pressing the ▲ or ▼ control button.
- 3 Press the ENTER button.
The SHUTTER screen appears.
- 4 Select a shutter speed by pressing the ▲ or ▼ control button.
Select from 1/2 (s), 1/4 (s), 1/8 (s), 1/15 (s), 1/30 (s), 1/60 (s), 1/100 (s), 1/125 (s), 1/250 (s), 1/500 (s), 1/750 (s), or 1/1000 (s).
- 5 Press the ENTER button.
The Shooting menu reappears.

Adjusting the White Balance

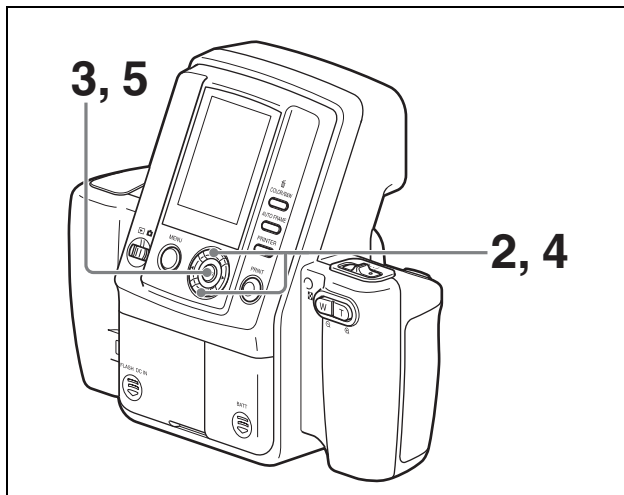
You can only set the white balance when the FLASH MODE is set to **M** or **M**.



- 1 Display the Shooting menu.
For details on displaying the menu screen, see “Displaying the Shooting Menu” on page 27.
- 2 Select W.B. by pressing the ▲ or ▼ control button.
- 3 Press the ENTER button.
The White Balance screen appears.
- 4 Select the method for adjusting the white balance by pressing the ▲ or ▼ control button.
PROGRAM: The white balance is adjusted automatically.
OnePush: A new image is captured as the reference value for white. Under the same lighting conditions that you use for taking pictures, display a white object (such as a piece of paper or cloth) in the center of the LCD, and then press the release button or the ENTER button. The white balance is captured and adjusted for the current lighting conditions.
3000K to 7000K: Select a color temperature to suit the lighting conditions. You can select color temperatures between 3000K and 7000K in units of 500K. The white balance is adjusted according to the selected color temperature.
- 5 Press the ENTER button.
The selected white balance setting is saved, and the Shooting menu reappears.

Compensating the Exposure

You can set a default value for exposure compensation during shooting.



- 1 Display the Shooting menu.

For details on displaying the menu screen, see “Displaying the Shooting Menu” on page 27.

- 2 Select EXPOSURE by pressing ▲ or ▼ of the control button.

- 3 Press ENTER of the control button.

The EXPOSURE display appears.

- 4 Select an appropriate value by pressing ▲ or ▼ of the control button.

- 5 Press the ENTER button.

The selected value is set, and the Shooting menu reappears.

To compensate the exposure easily

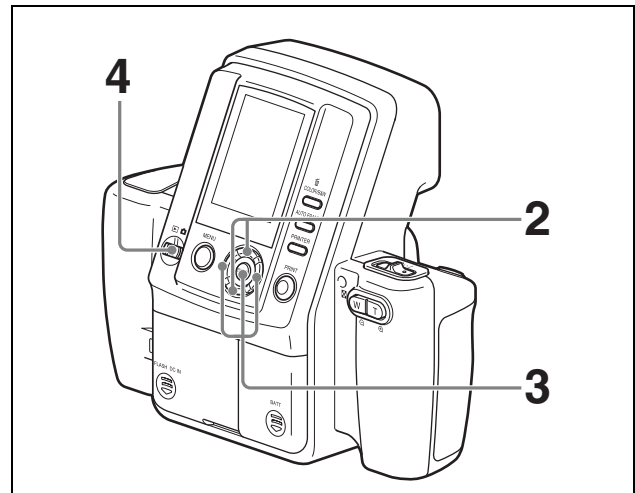
The exposure can easily be changed by pressing ▲ or ▼ of the control button. When the button is pressed, the value displayed on the LCD changes.

Using this method, you can change the exposure even when the menu has been locked.

For details on the menu lock, see “Locking the Camera Menu” on page 44.

Viewing Information on Captured Images

You can view information about captured images, including FLASH MODE settings, on the LCD.



- 1 Display the Playback menu.

For details on displaying the menu screen, see “Displaying the Playback Menu” on page 27.

- 2 Select PROPERTY by pressing the ▲ or ▼ control button.

- 3 Press the ENTER button.
The PROPERTY screen appears.
You can select images by pressing the ◀ or ▶ control button.

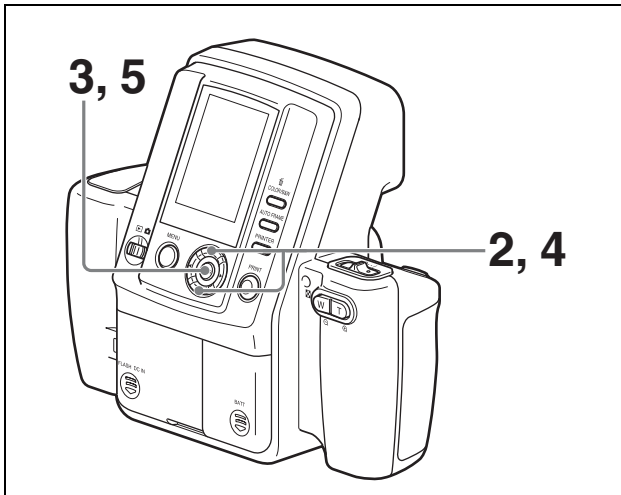
- 4 Press the ENTER button.
The Playback menu reappears.

Note

Printing cannot be performed from the PROPERTY screen. Return to the Playback mode display to perform printing.

Using the Print Queue Function

This system provides a print queue function to print later a group of captured images. To use this function, follow the procedure below to enable the print queue function.



- 1 Display the SETUP menu.
For details on how to display this menu, see “Displaying the SETUP Menu” on page 28.
- 2 Press the ▲ or ▼ control button to select PRINT QUEUE MODE.
- 3 Press the ENTER button.
The PRINT QUEUE MODE screen appears.
- 4 Press the ▲ or ▼ control button to select ON.
- 5 Press the ENTER button.
The SETUP menu returns.


About shooting and printing when the print queue function is enabled

The following occurs when the camera’s print queue function is enabled.

During shooting (auto-review) or playback

When you try to print a captured image, the image will be flagged for print queuing, and a screen requesting confirmation to start printing will appear.

- If you select CANCEL, you can go back to shooting, print other images, or perform other operations.
- If you select OK, printing will begin for all images in the print queue.

The  (print queue flag) icon appears on the LCD during playback of images in the print queue. If you print images with the print queue flag during playback, printing will begin for all images in the print queue.

Print queue operation

If you cancel queue printing while it is in progress, you can go back to shooting. If you add images to the print queue and restart printing, the print queue images that were not printed previously will be printed with the newly added images.


Starting with the image from which you started queue printing, images are printed in ascending order based on their image number. When the highest number is reached, printing continues from the lowest number until the last image in the print queue is printed.

Notes

- When using the print queue function in a multi-printer system, images will only be printed from one printer.
- When paper is ejected after printing, do not allow more than five sheets to accumulate in the paper tray. Doing so may result in a paper jam.

To remove images from the print queue one by one

To remove an image from the print queue, perform the following steps to remove its print queue flag.


- 1 Set the mode switch to .
- 2 Display the Playback menu.
For details on displaying the menu, see “Displaying the Playback Menu” on page 27.
- 3 Select DELETE ONE FROM QUEUE by pressing the ▲ or ▼ control button.
- 4 Press the ENTER button.
The Delete One from Queue screen appears.
- 5 Display the image that you want removed from the print queue by pressing the ◀ or ▶ control button.
- 6 Select OK by pressing the ▲ control button.
- 7 Press the ENTER button.
The image selected in step 5 is removed from the print queue.

To continue removing images from the print queue

Repeat steps 5 to 7 above.

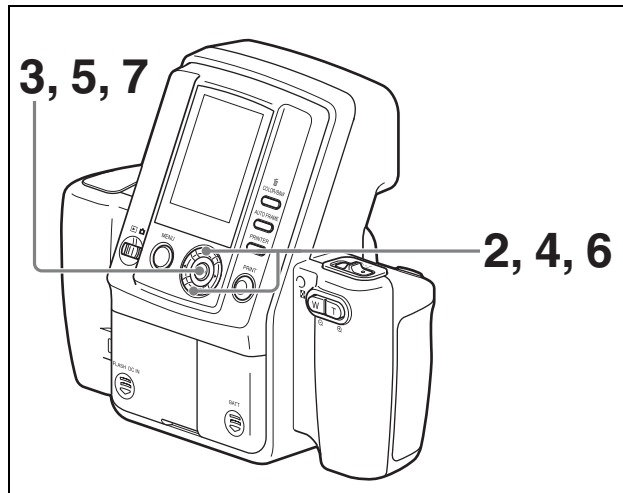
To remove all images from the print queue

You can simultaneously remove all images from the print queue by performing the following steps.

- 1 Set the mode switch to .
- 2 Display the Playback menu.
For details on displaying the menu, see "Displaying the Playback Menu" on page 27.
- 3 Select CLEAR QUEUE by pressing the ▲ or ▼ control button.
- 4 Press the ENTER button.
The Clear Queue screen appears.
- 5 Select OK by pressing the ▲ control button.
- 6 Press the ENTER button.
All images are removed from the print queue.

Setting up a Frame for Display During Printing

The ID photo frame available for selection on the print preview screen can be set in the SETUP menu. Set the most frequently used frames to display so that you can select the desired frame easily.



- 1 Display the SETUP menu.
For details on displaying this menu, see "Displaying the SETUP Menu" on page 28.
- 2 Select ID PHOTO FRAME by pressing the ▲ or ▼ control button.
- 3 Press the ENTER button.
The ID PHOTO FRAME screen appears.
- 4 Select a frame to hide by pressing the ▲ or ▼ control button.
You can display the next page or return to a previous page by pressing the ◀ or ▶ control button.
- 5 Press the ENTER button.
The ✓ (check mark) for the selected frame appears, and the frame becomes available in the print preview screen.
If you press the ENTER button again, the ✓ (check mark) is removed, and the frame will not be available in the print preview screen.

Each press of the ENTER button removes or restores the ✓ mark.

If you select SELECT ALL and press the ENTER button, the ✓ mark appears for all of the ID photo frames.

If you select DESELECT ALL and press the ENTER button, the ✓ mark is removed for all of the ID photo frames.

Note

Select at least one ID photo frame. You cannot close the ID PHOTO FRAME screen when the ✓ of all ID photo frames are deleted.

- 6 When you have finished configuring the settings, select RETURN by pressing the ▲ or ▼ control button.
- 7 Press the ENTER button. The SETUP menu reappears.

Country code example of ID photo frame

The ID photo frame of this camera uses the following ISO country codes, regardless of the language selected.

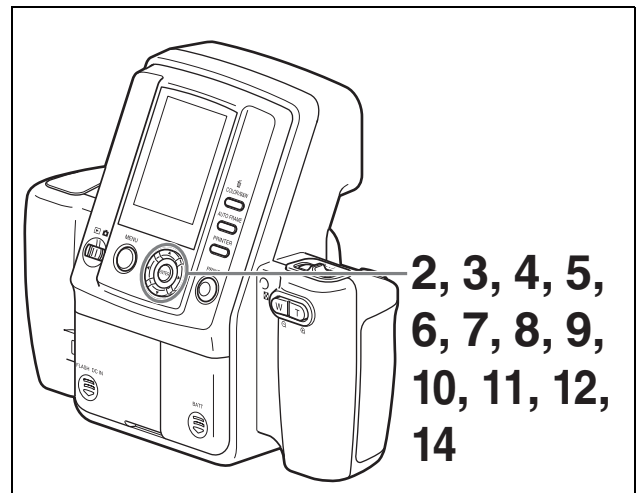
Code	Country
AUS	Australia
AUT	Austria
BRA	Brazil
CAN	Canada
COL	Columbia
DEU	Germany
ESP	Spain
EU	EU
FRA	France
GBR	United Kingdom
ITA	Italy
JPN	Japan
MEX	Mexico
NLD	Netherland
NZL	New Zealand
PRT	Portugal
RUS	Russia
TUR	Turkey
USA	USA
VEN	Venezuela

Note

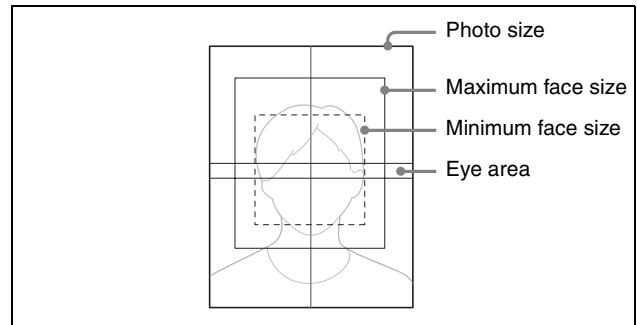
Depending on your country and region selection during initial configurations, ID photo frames for some countries may not be available for selection.

Creating an Additional Frame

You can define up to five ID photo frames of any size and then register them on this camera.

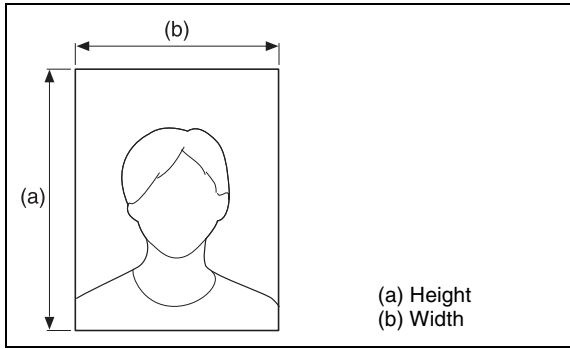


When creating an additional frame, define the following frame.



- 1 Display the SETUP menu.
For details on how to display this menu, see “Displaying the SETUP Menu” on page 28.
- 2 Press the ▲ or ▼ control button to select CUSTOM FRAME.
- 3 Press the ENTER button.
The 1st screen of the Frame Setting screen appears.
- 4 Press the ◀ or ▶ control button to select a frame number (1 to 5).
- 5 Press the ▼ control button to select NEXT, and then press the ENTER button.
The 2nd screen of the Frame Setting screen appears.

- 6** Specify a photo size.
Press the ▲ or ▼ control button to select the next setting item, and then press ◀ or ▶ to select a value.



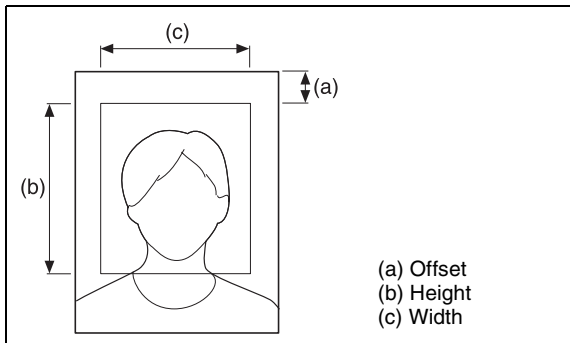
SIZE UNIT: Select a size unit.

Height: Specify the height of the photo size.

Width: Specify the width of the photo size.

- 7** Press the ▼ control button to select NEXT, and then press the ENTER button.
The 3rd screen of the Frame Setting screen appears.

- 8** Specify the maximum face size (maximum range to cover the face of the subject).
Press the ▲ or ▼ control button to select the next setting item, and then press ◀ or ▶ to select a value.



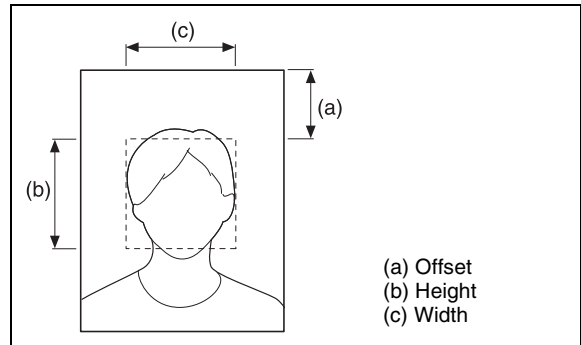
Offset: Specify the distance from the frame circumference to the maximum face area.

Height: Specify the height of the maximum face size.

Width: Specify the width of the maximum face size.

- 9** Press the ▼ control button to select NEXT, and then press the ENTER button.
The 4th screen of the Frame Setting screen appears.

- 10** Specify the minimum face size (minimum range to cover the face of the subject).
Press the ▲ or ▼ control button to select the next setting item, and then press ◀ or ▶ to select a value.



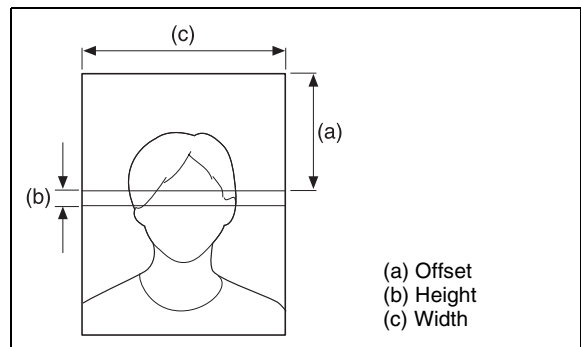
Offset: Specify the distance from the frame circumference to the minimum face size.

Height: Specify the height of the minimum face size.

Width: Specify the width of the minimum face size.

- 11** Press the ▼ control button to select NEXT, and then press the ENTER button.
The 5th screen of the Frame Setting screen appears.

- 12** Specify the eye area (area where the eyes of the subject are positioned).
Press the ▲ or ▼ control button to select the next setting item, and then press ◀ or ▶ to select a value.



Offset: Specify the distance from the frame circumference to the eye area.

Height: Specify the height of the eye area.

Width: Specify the width of the eye area.

- 13** Press the ▼ control button to select NEXT, and then press the ENTER button.
The 6th screen of the Frame Setting screen appears.

- 14** Check the items you have specified so far.
To change a setting, press the ◀ control button to select PREV, and then press the ENTER button to return to the previous screen.

- 15** Press the ◀ or ▶ control button to select OK, and then press the ENTER button.
The SETUP menu returns.

To return to a previous screen during configuration

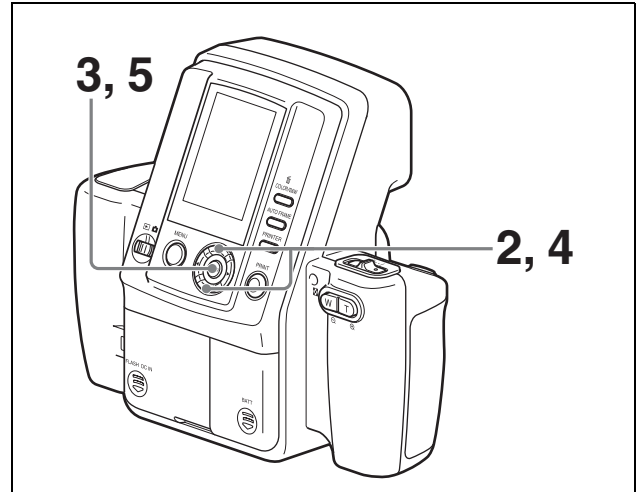
You can return to a previous screen and change settings at any time during screens 2 through 6 of the Frame Settings screen. To return to a previous screen, press the ▲ control button to select PREV, and then press the ENTER button.

Using an additional frame

You can use the ID PHOTO FRAME list to enable additional frame. For details, see “Setting up a Frame for Display During Printing” on page 37.

Using the Die-cut Print Function

The die-cut print function allows you to print a captured image at a size about 3 mm larger than the selected frame size so that it becomes the target size when the image is cut. (This is call “die-cut print”.) To use this function, follow the steps below to enable the die-cut mode.



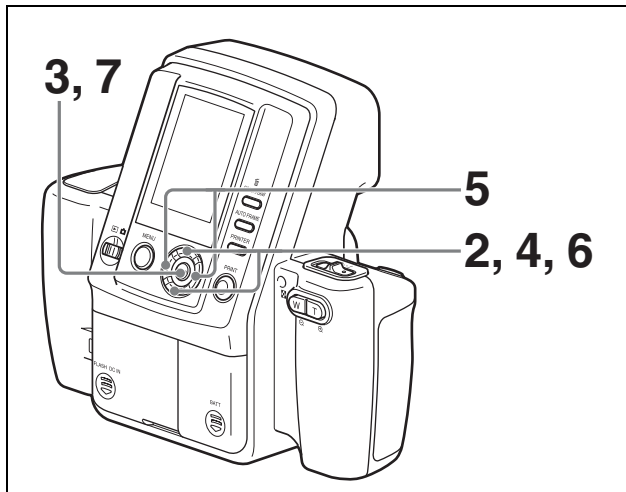
- 1** Display the SETUP menu.
For details on how to display this menu, see “Displaying the SETUP Menu” on page 28.
- 2** Press the ▲ or ▼ control button to select DIE-CUT MODE.
- 3** Press the ENTER button.
The DIE-CUT MODE screen appears.
- 4** Press the ▲ or ▼ control button to select ON.
- 5** Press the ENTER button.
The SETUP menu returns.
From now on, captured images are printed to a size about 3 mm larger than the selected ID photo frame size.



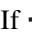

Note

When the die-cut print function is enabled, the number of images printed on a single sheet of paper may be less than with normal printing.

Using the Auto Power Save Function


When you enable the auto power save function, the camera enters power save mode if no operation is performed within a certain amount of time. The amount of time can be set for when the AC power adaptor is used as well as when batteries are used.



- 1** Display the SETUP menu.
For details on how to display this menu, see “Displaying the SETUP Menu” on page 28.
- 2** Press the ▲ or ▼ control button to select AUTO POWER SAVE.
- 3** Press the ENTER button.
The AUTO POWER SAVE screen appears.
- 4** Press the ▲ or ▼ control button and select either  (AC power adaptor) or  (batteries).
- 5** Press the ◀ or ▶ control button and select the time until the power save mode is activated.
If  (AC power adaptor) is specified, you can select 10 min, 30 min, or DISABLE.
If  (batteries) are specified, you can select 3 min, 7 min, or 10 min.
If you select DISABLE, the auto power save is disabled.
- 6** Press the ▲ or ▼ control button to select OK.
- 7** Press the ENTER button.
The SETUP menu returns.

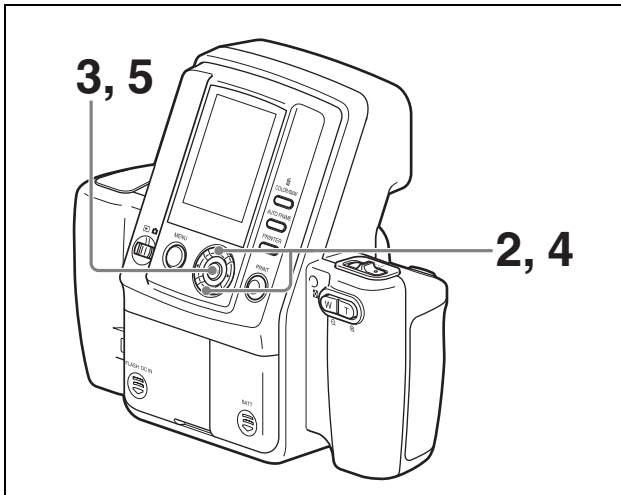
Turning on the power again while in the power save mode

Perform one of the following operations.

- Set the on/standby switch to  (standby), and then back to I (on) again.
- Press the release button halfway.
- Press any button on the camera.

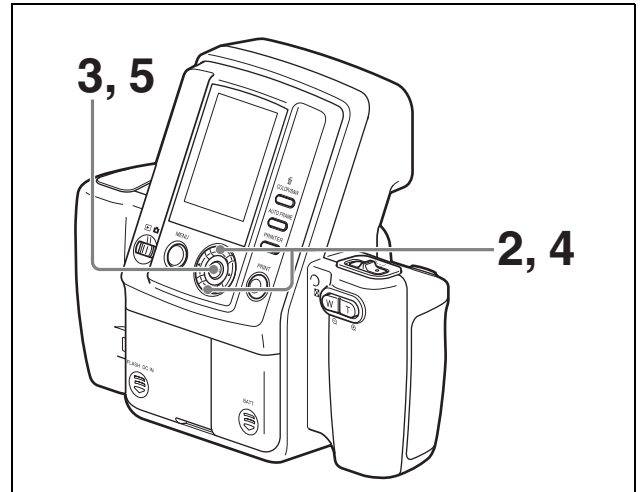
Setting Camera Sounds

You can select whether the camera makes sounds when it is operated.



- 1 Display the SETUP menu.
For details on displaying this menu, see “Displaying the SETUP Menu” on page 28.
- 2 Select SOUND by pressing the ▲ or ▼ control button.
- 3 Press the ENTER button.
The SOUND screen appears.
- 4 Select a sound setting by pressing the ▲ or ▼ control button.
OFF: No sounds are emitted.
SHUTTER: A sound is emitted only when the release or PRINT button is pressed.
ON: A sound is emitted for all camera operations (except zoom operations).
- 5 Press the ENTER button.
The SETUP menu reappears.

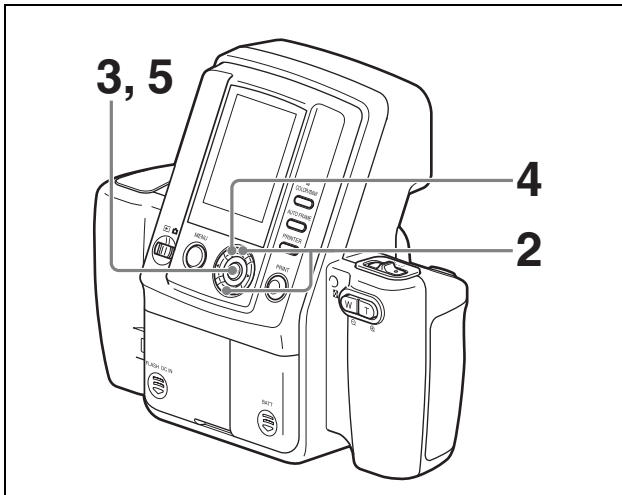
Selecting the Language Display



- 1 Display the SETUP menu.
For details on displaying this menu, see “Displaying the SETUP Menu” on page 28.
- 2 Select LANGUAGE by pressing the ▲ or ▼ control button.
- 3 Press the ENTER button.
The LANGUAGE screen appears.
- 4 Select a language display by pressing the ▲ or ▼ control button.
You can select from English, French, German, Italian, Spanish, Portuguese, Dutch, Russian, and Japanese.
- 5 Press the ENTER button.
The SETUP menu reappears.

Returning Settings to Defaults

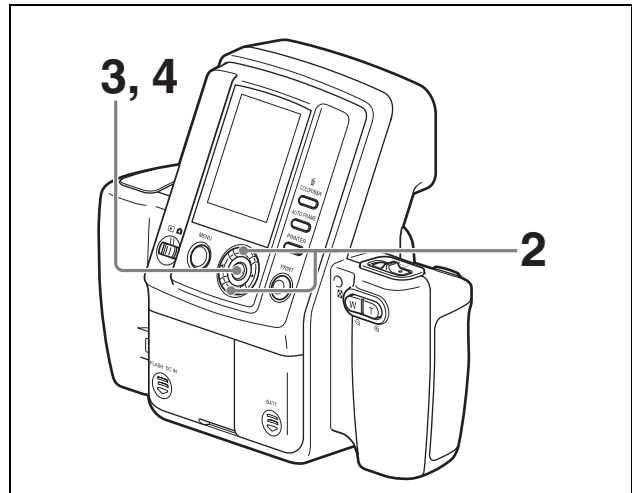
You can return camera settings to their default factory settings.



- 1** Display the SETUP menu.
For details on displaying this menu, see “Displaying the SETUP Menu” on page 28.
- 2** Select DEFAULT SETTING by pressing the ▲ or ▼ control button.
- 3** Press the ENTER button.
The DEFAULT SETTING screen appears.
- 4** Read the warning carefully, and select “OK” by pressing the ▲ control button.
- 5** Press the ENTER button.
All camera settings are returned to their default factory settings, and the SETUP menu reappears. (Captured images and additional frames are retained.)

Displaying the Firmware Version

You can display the camera’s firmware version. Use this information when consulting a service representative about the camera.




- 1** Display the SETUP menu.
For details on displaying this menu, see “Displaying the SETUP Menu” on page 28.
- 2** Select FIRMWARE VERSION by pressing the ▲ or ▼ control button.
- 3** Press the ENTER button.
The FIRMWARE VERSION screen appears.
- 4** Press the ENTER button.
The SETUP menu reappears.

Locking the Camera Menu


You can keep menu screens from displaying even when the MENU button is pressed during Shooting or Playback. This can prevent accidental changes to menu settings.

To lock the menus

Press the MENU button for at least five seconds. The menu screen disappears, and the lock icon  appears. This icon indicates that the menus are now locked and pressing the MENU button will not display the menu screen.

The menus remain locked even when you switch between Shooting and Playback modes or restart the camera.

To release the menu lock

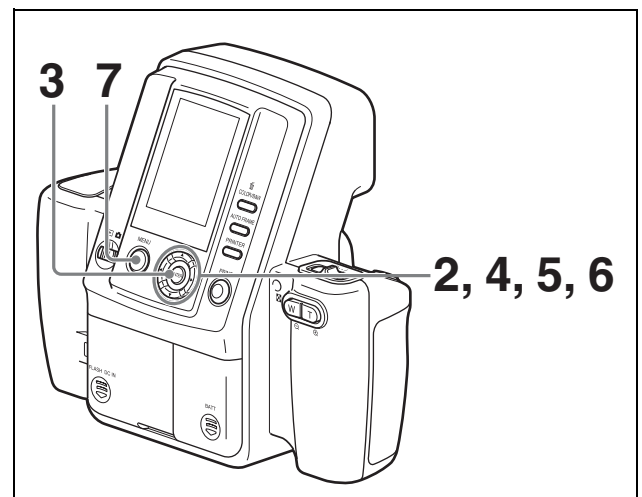
Press the MENU button for at least five seconds. The lock icon  disappears, and the menu screen appears.

Adjusting the Print Quality

You can use the MENU function of the camera to adjust the picture quality. The guide print function of the camera enables you to check the adjustment results. For details on the meanings of the values in the CYN-RED, MAG-GRN, and YEL-BLU displays, see “Explanation of Picture Quality Adjustment Parameters” on page 45.

Adjusting the Picture Quality

To adjust the picture quality of color prints



- 1 Display the SETUP menu.
For details on how to display the menu, see “Displaying the SETUP Menu” on page 28.
- 2 Press the ▲ or ▼ control button to select COLOR ADJUST.
- 3 Press the ENTER button.
The COLOR ADJUST screen appears.
- 4 Specify each adjustment item.
Press the ▲ or ▼ control button to select the next adjustment item, and then press ◀ or ▶ to select a value.
CYN-RED: Pressing ◀ gives the picture more cyan, while pressing ▶ makes it more reddish.
MAG-GRN: Pressing ◀ gives the picture more magenta, while pressing ▶ makes it more greenish.
YEL-BLU: Pressing ◀ gives the picture more yellow, while pressing ▶ makes it more bluish.

- DARK:** Pressing ► increases the darkness in the dark parts.
- LIGHT:** Pressing ► increases the brightness in the bright parts.
- GAMMA:** Pressing ◀ makes the color tone of the whole picture lighter, while pressing ► makes it deeper.
- SHARPNESS:** Pressing ► makes the edges of objects in the picture sharper.

- 5** Press the ▲ or ▼ control button to select OK, and then press the ENTER button. The Guide Print screen appears.
- 6** Press the ▲ or ▼ control button to select GUIDE PRINT-RGB or GUIDE PRINT-DLGm, and then press the ENTER button. The guide picture is printed. The picture currently being played back or the picture taken immediately previous is used for the guide picture.

For details on the guide print function, see “Guide Print Function” on page 48.

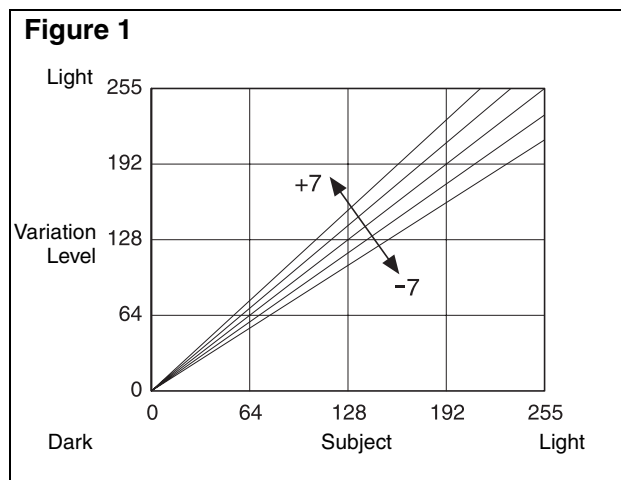
- 7** Press the MENU button. The SETUP menu returns. Check the guide picture printed in the previous step. If necessary, repeat starting from step 2 and re-adjust the picture quality.

To adjust the picture quality of black & white prints

After pressing the MENU button in step 2 of “To adjust the picture quality of color prints,” press the ▼ control button. The camera enters the picture quality adjustment mode for black & white prints and the B&W ADJUST screen appears. The procedure for adjusting the picture quality is the same as that for color prints.

Explanation of Picture Quality Adjustment Parameters

Picture quality variations when the R, G, and B parameters are changed



CYN-RED adjustment (R parameter)

You can adjust the cyan and red color components. The default is 0.

Pressing ► on the control button of the camera changes the value in the plus direction to 1, 2 ... 7, making the red component value in the picture increase in the linear direction that the brightness increases as shown in figure 1. This adds more red as if a red light has been cast. However, the maximum effective brightness value is 255. When the value becomes larger than 255, saturation occurs. When this occurs, the saturated white area remains white even if the value is increased further in the plus direction.

Pressing ◀ on the control button changes the value in the minus direction to -1, -2 ... -7, making the red component value in the picture decrease in the linear direction that the brightness decreases as shown in the figure. Decreasing the brightness makes the red color darker and reduces the redness. The complementary color cyan (light blue) is added. In this case, the white area becomes bluish.

MAG-GRN adjustment (G parameter)

You can adjust the magenta and green color components. The default is 0.

Pressing ► on the control button of the camera changes the value in the plus direction to 1, 2 ... 7, making the green component value in the picture increase in the linear direction that the brightness increases as shown in figure 1. This adds more green as if a green light has been cast. However, the maximum effective brightness value is 255. When the value becomes larger than 255, saturation occurs. When this occurs, the saturated white area remains white even if the value is increased further in the plus direction.

Pressing ◀ on the control button changes the value in the minus direction to -1, -2 ... -7, making the green component value in the picture decrease in the linear direction that the brightness decreases as shown in the figure. Decreasing the brightness makes the green color darker and reduces the greenness. The complementary color magenta (reddish-purple) is added. In this case, the white area becomes slightly magenta in color.

YEL-BLU adjustment (B parameter)

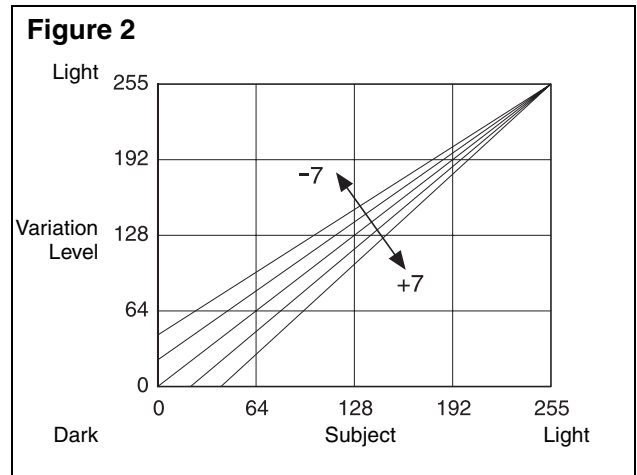
You can adjust the yellow and blue color components. The default is 0.

Except for some special specifications, this adjustment is not possible when B&W is selected.

Pressing ► on the control button of the camera changes the value in the plus direction to 1, 2 ... 7, making the blue component value in the picture increase in the linear direction that the brightness increases as shown in figure 1. This adds more blue as if a blue light has been cast. However, the maximum effective brightness value is 255. When the value becomes larger than 255, saturation occurs. When this occurs, the saturated white area remains white even if the value is increased further in the plus direction.

Pressing ◀ on the control button changes the value in the minus direction to -1, -2 ... -7, making the blue component value in the picture decrease in the linear direction that the brightness decreases as shown in the figure. Decreasing the brightness makes the blue color darker and reduces the blueness. The complementary color yellow is added. In this case, the white area becomes yellowish.

Picture quality variations when the D, L, and Gm parameters are changed



DARK adjustment (D parameter)

You can adjust the dark parts. The default is 0.

Pressing ► on the control button of the camera changes the value in the plus direction to 1, 2 ... 7, making the dark side of each of the RGB data increase simultaneously in the linear direction that the depth increases as shown in figure 2. This adds more depth. However, the maximum effective darkness value is 0. When the value becomes smaller than 0, saturation occurs.

Pressing ◀ on the control button changes the value in the minus direction to -1, -2 ... -7, making the dark side of each RGB data lighter and decreasing the darkness.

LIGHT adjustment (L parameter)

You can adjust the light parts. The default is 0.

Pressing ► on the control button of the camera simultaneously changes the R, G, and B parameters as shown in figure 1, making the light side of each of the RGB data increase simultaneously in the linear direction that the brightness increases. This gives an overexposed quality to the picture.

Pressing ◀ on the control button makes the light side of each of the RGB data darker, and gives you a picture that seems underexposed.

GAMMA adjustment (GM parameter)

You can adjust the gamma value. The default is 0.

Pressing ► on the control button of the camera increases the halftone of each of the RGB data in the direction that the brightness increases.

Pressing ◀ on the control button decreases the halftone of each of the RGB data in the direction that the darkness increases.

SHARPNESS adjustment

You can adjust the sharpness of pictures.

Pressing ► on the control button of the camera changes the value in the plus direction from 0 to 1, 2 ... 7, adding emphasis to edges in pictures. We recommend setting a small value when the print size is small.

SHARPNESS

SHARPNESS adjustment is a function for adding emphasis to edges in pictures. This function cannot be used to increase the resolution. It is intended for changing the sharpness.

SHARPNESS can be used as a parameter to improve pictures, but increasing the sharpness too much will not produce a natural picture. Generally, the default setting is recommended. When a large print size is used and SHARPNESS is set to a large value, picture quality does appear to improve.

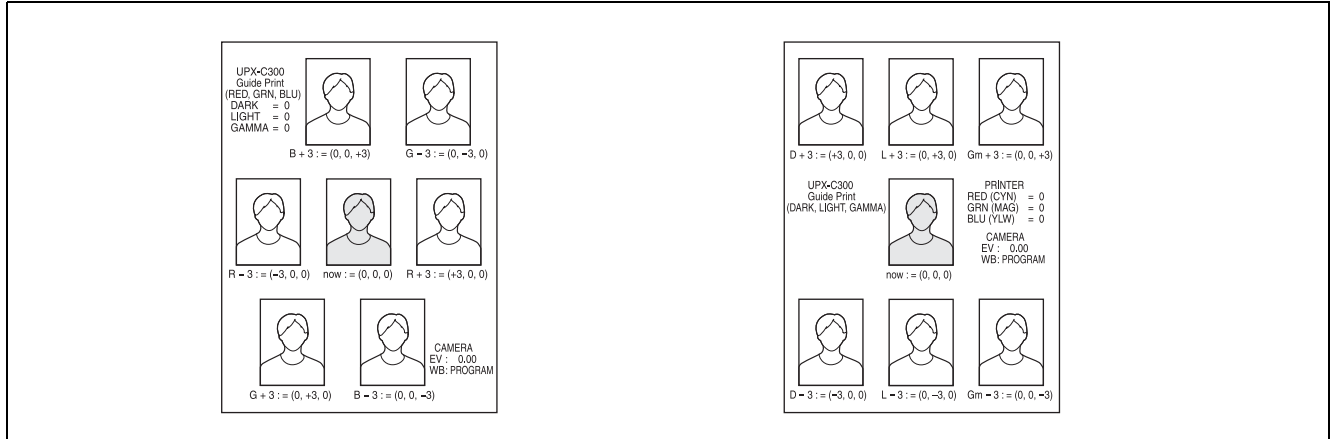
Contrast

In addition to the sharpness function, it is possible to add sharpness to the image by adding the contrast of dark and light. Contrast can be set using the DARK and LIGHT items in the menu screen. Increasing the DARK and LIGHT values in the plus direction increases the contrast, and a high contrast image can be obtained. The downside, however, is that increasing the contrast values in the plus direction diminishes the amount of information about white and black tones, and as a result, the white and black gradation becomes coarser. Thus, an appropriate contrast setting is required. We recommend setting the contrast to +2 or +3.

Guide Print Function

The Guide Print-RGB or Guide Print-DLGm layout enables you to print a guide picture that has each of the RGB or DLGm parameters changed.

Guide pictures can be printed on UPC-X46 series, and UPC-X34 series paper. The following is an example of a guide picture printout.



Guide Print-RGB (adjusting RGB parameters)

Selecting the Guide Print-RGB layout enables a guide picture (adjustment simulation) to be printed for the RGB parameters. Since the picture used for printing is the picture being played back on the camera, you can actually adjust the picture quality while looking at the

picture. The picture in the center is printed using the current color tone adjustment values. Six playback images of differing color are printed around this picture.

The current state of each of the DARK, LIGHT, and GAMMA parameters is displayed for reference.

This is a picture showing the current state of the RED, GREEN, and BLUE parameters.

This is a picture showing the RED parameter decreased by 3 from the current state. The subject appears a little darker than in the current picture, and overall the picture appears slightly cyan.

This is a picture showing the GREEN parameter increased by 3 from the current state. The white saturated parts remain white and do not change. The subject appears a little lighter than in the current picture, and slightly green.

This is a picture showing the BLUE parameter increased by 3 from the current state. The white saturated parts remain white and do not change. The subject appears a little lighter than in the current picture, and slightly blue.

This is a picture showing the GREEN parameter decreased by 3 from the current state. The subject appears a little darker than in the current picture, and overall the picture appears slightly magenta.

This is a picture showing the RED parameter increased by 3 from the current state. The white saturated parts remain white and do not change. The subject appears a little lighter than in the current picture, and slightly red.

This is a picture showing the BLUE parameter decreased by 3 from the current state. The subject appears a little darker than in the current picture, and overall the picture appears slightly yellow.

Shooting conditions of the camera

The values below each of the pictures are for the R, G, and B parameters. If, for example, you want to use the color tone on the top left in the figure above, set the B parameter to +3 because (RED, GREEN, BLUE) = (0, 0, +3).

If you want to adjust (RED, GREEN, BLUE) = (0, 0, +3) further, set the B parameter to +3, and then print another Guide Print-RGB. This will give you a simulation for each color variation with (RED, GREEN, BLUE) = (0, 0, +3) in the center.

Guide Print-DLGm (adjusting DLGm parameters)

Selecting the Guide Print-DLGm layout enables a color guide to be printed for the DLGm parameters. Since the picture used for printing is the picture being played back on the camera, you can actually adjust the picture quality while looking at the picture.

The picture in the center is printed using the current color tone adjustment values. Six playback images of differing color are printed around this picture.

This is a picture showing the DARK parameter increased by 3 from the current state. With focus on the deep parts, this has become a picture with more depth than the current one.

This is a picture showing the LIGHT parameter increased by 3 from the current state. The light parts become lighter than in the current picture.

This is a picture showing the GAMMA parameter increased by 3 from the current state. The halftones become slightly darker than in the current picture.

This is a picture showing the current state of the DARK, LIGHT, and GAMMA parameters.

This is a picture showing the LIGHT parameter decreased by 3 from the current state. The light parts become slightly darker than in the current picture.

This is a picture showing the DARK parameter decreased by 3 from the current state. The deep parts become lighter as if the picture was taken in a bright place.

This is a picture showing the GAMMA parameter decreased by 3 from the current state. The halftones become slightly lighter than in the current picture.

UPX-C300
Guide Print
(DARK, LIGHT, GAMMA)

PRINTER
RED (CYN) = 0
GRN (MAG) = 0
BLU (YLW) = 0

CAMERA
EV : 0.00
WB: PROGRAM

now : = (0, 0, 0)

D + 3 : = (+3, 0, 0) L + 3 : = (0, +3, 0) Gm + 3 : = (0, 0, +3)

D - 3 : = (-3, 0, 0) L - 3 : = (0, -3, 0) Gm - 3 : = (0, 0, -3)

The values below each of the pictures are for the D, L, and Gm parameters. If, for example, you want to use the tone on the top left in the figure above, set the D parameter to +3 because (DARK, LIGHT, GAMMA) = (+3, 0, 0).

If you want to adjust (DARK, LIGHT, GAMMA) = (+3, 0, 0) further, set the D parameter to +3, and then print another Guide Print-DLGm. This will give you a simulation picture for each parameter variation with (DARK, LIGHT, GAMMA) = (+3, 0, 0) in the center.

Advice on adjusting color tones

The guide print function gives you a rough guide as to how to adjust the color tone. However, if you understand the following, you can use this function to its full potential.

The guide print can also be used for black & white prints. Black & white pictures printed with this system are printed by overlaying the three colors cyan, magenta, and yellow to express gray. Therefore, a perfectly achromatic picture may not be obtained and colors may sometimes be visible. A black & white guide print can be used to adjust the balance of these three colors.

Complementary colors

Pictures are made up of the data of three colors (R data, G data, and B data). The color tone adjustment function can be used to change the balance of these three colors. When the R parameter is changed, the CYN-RED (cyan and red) indication appears on the LCD. Similarly, the MAG-GRN (magenta and green) indication appear on the LCD when the G parameter is changed, and the YEL-BLU (yellow and blue) indication appear on the LCD when the B parameter is changed.

The complementary colors cyan and red, magenta and green, and yellow and blue are related. For example, increasing red makes cyan lighter and decreasing red makes cyan deeper.

Difference between selecting + and –

When you print a Guide Print-RGB with each of the RGB parameters for the center picture set to 0, two simulation pictures for each RGB parameter (with the respective parameter set to +3 and –3 and the remaining two parameters set to 0) are printed around the center picture. The following explains the meaning of the + and – symbols.

The R data, G data, and B data that make up the picture data are digitized values representing the strength of light of each color. The + setting is for strengthening the light of the corresponding color. The – setting is for weakening the light of the corresponding color. Data (light) saturation can be obtained with the + setting. When you need a white background, this feature enables you to get the desired results without changing the white.

• Setting in the + direction

When the R parameter is set to +3, for example, the light of the red component is strengthened, giving the overall picture a tinge of red. Since the amount of light also increases at the same time, the brightness of the picture increases by the corresponding amount.

However, some parts of the picture do not change no matter how much the light is strengthened. These include parts of the picture with absolutely no light components (such as pure green, cyan, and blue parts, their intermediate colors, and deep black parts), and parts of the picture with saturated light components (such as pure magenta, red, and yellow parts, their intermediate colors, and bright white parts).

• Setting in the – direction

When the R parameter is set to –3, for example, the light of the red component is weakened, giving the overall picture a tinge of cyan (the complementary color of red). Since the amount of light also decreases at the same time, the darkness of the picture increases by the corresponding amount.

This setting differs from the + setting in that a tinge of cyan is added to parts in which light components are saturated such as parts of pure reddish-purple (magenta), red, and yellow or their intermediate colors and bright white. This occurs especially in cases where the background is white or the subject is wearing white clothes.

Specific example 1: Removing yellow

To remove yellow from the subject, we recommend setting the B parameter to a + value in the Guide Print-RGB.

Specific example 2: Adding yellow

To add yellow to the subject, we recommend setting the B parameter to a – value in the Guide Print-RGB. However, you need to understand that the concept of weakening the light involves adding a tinge of yellow to white parts. To avoid this, set a plus value for the L parameter that is equivalent to the minus value set for B parameter. This has the same effect as setting plus values for the R and G parameters without changing the B parameter. The point to note here is that the overall brightness increases.

Printing Times

Print times differ depending on the print size and paper size used.

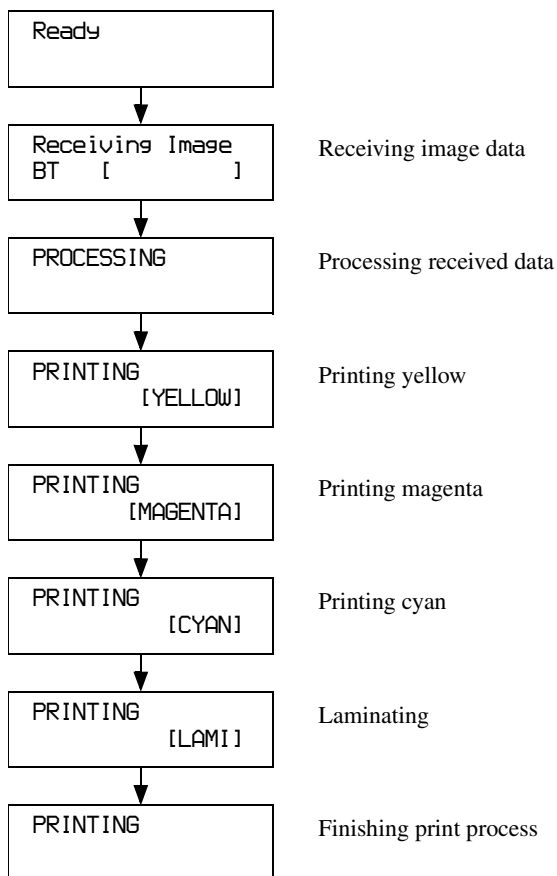
Printing times

The following are examples of the approximate time it takes from the moment the PRINT button is pressed on the camera to the moment the printer receives the picture data from the camera and prints one picture.

Print paper	Resolution	Print size	
		2 × 2 inches	45 × 35 mm
UPC-X34 series	STD	Approx. 83 sec	Approx. 78 sec
	HIGH	Approx. 83 sec	Approx. 78 sec
UPC-X46 series	STD	Approx. 120 sec	Approx. 120 sec
	HIGH	Approx. 120 sec	Approx. 120 sec

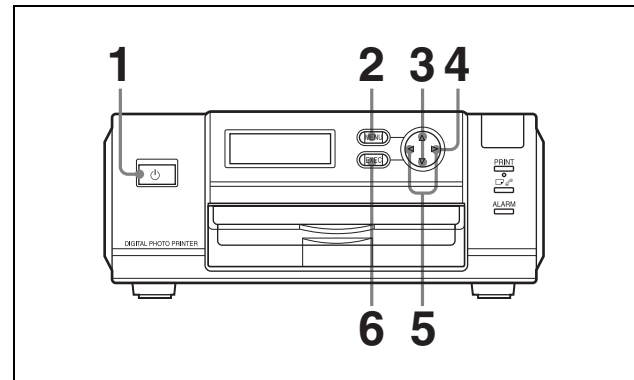
Display during printing process

When you print a picture, the operation that is being processed appears on the printer operation display as shown below.



Adjusting the Print Position (PRINT OFFSET)

When using the UPC-X46 series, you can adjust the print position in increments of 0.5 mm (1/32") so that the printed picture is correctly positioned on the print paper.



- 1 Turn on the printer.
- 2 Press the MENU button.
- 3 Press ▲ or ▼ on the control button to display "PRINT SETTING [>>]" on the operation display.
- 4 Press ► on the control button. The PRINT OFFSET screen appears.
- 5 Select an offset value by pressing ◀ or ▶ on the control button.
- 6 Press the EXEC button. The offset value selected in step 5 is confirmed, and the PRINT SETTING screen reappears.

Print a picture and check that the picture is printed in the correct position on the print paper. If further adjustment is needed, repeat the above steps.

For details on printing a picture, see "Printing the Last Picture Taken (From the Auto-Review Display)" on page 22.

To exit PRINT SETTING

Press the MENU button to return to the READY screen.

Note

When you have finished making adjustments, be sure to press the MENU button to return to the READY screen. If you do not return to the READY screen, CHECK PRINTER will appear on the LCD of the camera the next time printing is performed, and printing will fail.


Setting the Bluetooth Functions

Bluetooth wireless technology

The bluetooth¹⁾ wireless technology allows communication between various Bluetooth devices without using cables. Devices which can use this technology include computers, computers peripheral devices, PDAs, and mobile phones. This omnidirectional communication system enables communication even if the Bluetooth device is in a bag or if there are obstacles between the devices.

Also, the Bluetooth wireless technology has advanced security functions, such as scrambled frequencies and data encryption.

- When using the Bluetooth function, the distance between the camera and the printer you intend to connect must be within 10 m (33 feet) without obstacles.

1) The  Bluetooth[®] trademark is owned by their proprietor and used by Sony Corporation under license. The word Bluetooth is printed in plain text throughout this document.

The “Basic Imaging Profile”

The “Basic Imaging Profile” (BIP) is the specifications used when sending or receiving still images between Bluetooth devices. The main features of the BIP enable sending or receiving images, and use of the remote shutter feature of a digital still camera.

To connect with your printer, the Bluetooth device must be compatible with the “Image Push Feature” of the “Basic Imaging Profile” (BIP).

Before using the Bluetooth device, check the Bluetooth and BIP specifications of the device.

Bluetooth Address

A 12-digit code consisting of the numerics 0–9 and the alphabetic (A–F) is assigned to each Bluetooth device. This is a specific code for each Bluetooth device, and is called a Bluetooth address or a Bluetooth ID. The Bluetooth address is for distinguishing each device, so the same code is not assigned to several devices, nor can the code be changed.

Passkey Authentication

A passkey is used to authenticate two Bluetooth devices that have not previously been connected to each other. This is to create a trusted relationship between them. You need to enter the same characters or numbers (passkey) for each device in the passkey-authentication process. The UPX-C300 system uses a 4-digit number as a passkey.

After the same passkey is set for the devices, the authentication process for connection must be performed.

Some Bluetooth devices require a new passkey entry when the valid authentication period of the devices is expired, the log file is deleted, or the security setting is changed. Passkey entry may be required, depending on the device, each time you intend to connect.

Once authentication of devices has been confirmed in the UPX-C300 system, registration of each device connection is stored in a log file. After that, you can connect the devices without entering a passkey. If you wish to change the passkey, first delete the log file from the connected device, then register the devices again for re-authentication.

This “Passkey” is also referred to as a “Bluetooth passkey” etc. “PIN” is also used with the same meaning.

Changing the passkey settings

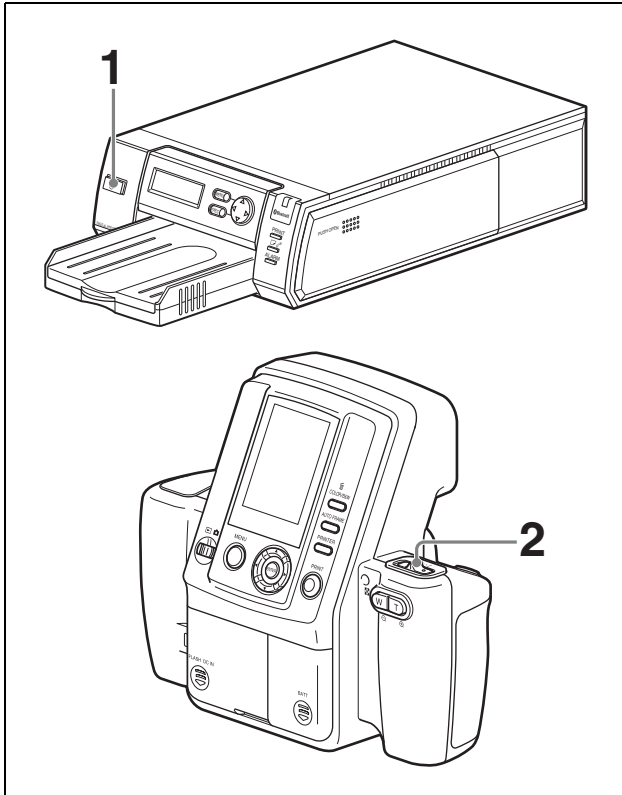
You can change the passkey as required.

On the UPX-C300 and separately available UP-DX100 Digital Photo Printer, the same passkey has been set at the factory. For communication security, it is recommended to change the passkey for your system.

For details on changing settings, refer to the “Changing the Passkey” on page 54.

Bluetooth Connection

In the UPX-C300 system, the printer and the camera are factory preset so that the camera automatically searches for the printer for connection when both the printer and the camera are turned on. Turn on the printer and the camera according to the following procedures:



- 1 Turn on the printer.
Check that “Ready BT RSSI [----]” is displayed on the operation display.
- 2 Set the on/standby switch of the camera to I (on).
The camera starts searching for the printer, and “DISCOVERING” is displayed on the LCD of the camera. Upon establishment of connection between the camera and the printer, the message changes to “DISCOVERED,” and the name and the Bluetooth address of the connected printer are displayed in black.

To interrupt searching

While “DISCOVERING” is displayed on the LCD of the camera, press the MENU button. “CANCELING” is displayed, and the search is interrupted. If several printers are connected, the search for the remaining printers is also interrupted.

If the connection fails

The message “NOT DISCOVERED” is displayed on the LCD of the camera, and the printer name and the Bluetooth address remains displayed in gray. Even if the connection fails, shooting and playback can be performed on the camera.

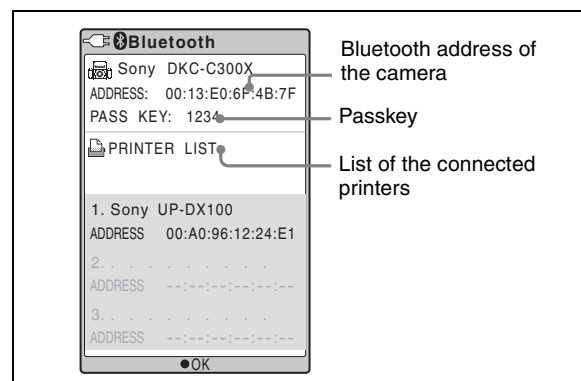
If the connection fails, before retrying to connect, check the following, then press the PRINT button. The message “Reconnecting” is displayed and the reconnection starts.

- The printer is turned on.
- The Bluetooth module of the camera and the printer is set to ON.
- Between the camera and the printer, there is no obstacle that disturbs data transmission.

For use with several printers connected, see “Operation with Several Printers” on page 59 as well.

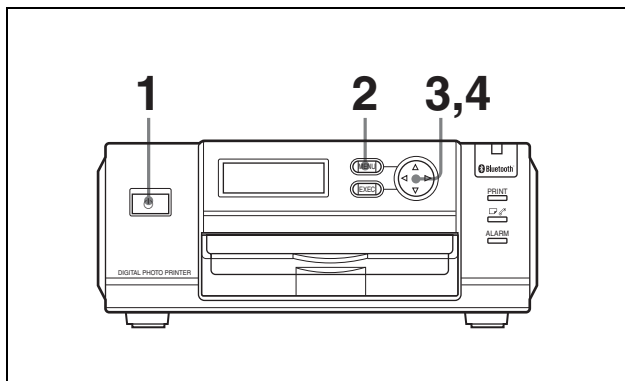
Checking the Bluetooth Connection Statuses of the Camera (PROPERTY)

- 1 Display the SETUP menu.
For details, see “Displaying the SETUP Menu” on page 28.
- 2 Press ▲ or ▼ of the control button to select Bluetooth.
- 3 Press the ENTER button.
The Bluetooth Menu display appears.
- 4 Press ▲ or ▼ of the control button to select PROPERTY.
- 5 Press the ENTER button.
The Bluetooth information for the camera is displayed.
You can scroll the printer list with ▲ or ▼ of the control button.



When ENTER button is pressed, the display returns to Bluetooth Menu.

Confirming the Bluetooth Address of the Printer



- 1 Turn on the printer.
- 2 Press the MENU button.
- 3 Press ▼ of the control button to display “Bluetooth SETTING [>>].”
- 4 Press ► of the control button. The Bluetooth address appears.

To return to Ready, press the MENU button.

Changing the Passkey

The same passkey is set for all cameras and printers at the factory. If the passkey needs to be changed, set a new passkey, following the procedures below.

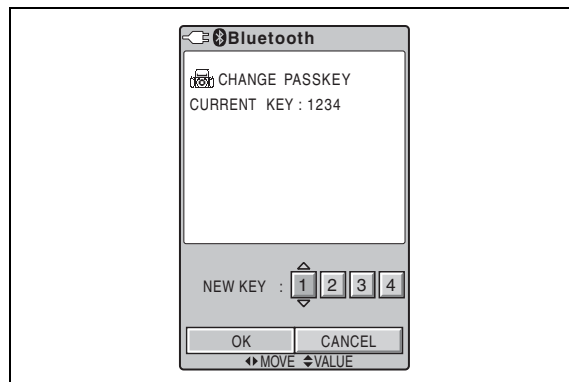
Once a new passkey is set, remove the printer registration, and register it again. Then authentication of the new passkey will be valid.

For details on removing a printer, see “Removing a Printer” on page 59, and on registering a printer, see “Adding/Registering a Printer” on page 57.

Changing the passkey of the camera

- 1 Display the SETUP menu.
For details, see “Displaying the SETUP Menu” on page 28.
- 2 Press ▲ or ▼ of the control button to select Bluetooth.
- 3 Press the ENTER button. The Bluetooth Menu display appears.
- 4 Press ▲ or ▼ of the control button to select CHANGE PASSKEY.

- 5 Press the ENTER button. The CHANGE PASSKEY display appears.



- 6 Press ◀ or ▶ of the control button to select a digit you wish to change.
- 7 Press ▲ or ▼ of the control button to set the value. A value 0 to 9 can be used.
Repeat Steps 6 and 7 above to set a four-digit passkey.
- 8 Press ► of the control button to select OK.
- 9 Press the ENTER button. A new passkey has been set, and the display returns to Bluetooth Menu.

To cancel changing the passkey setting

In Step 8 above, select CANCEL instead of OK, then Press the ENTER button.

Changing the passkey of the printer

- 1 Turn on the printer. “Ready BT RSSI [----]” appears on the operation display.
- 2 Press the MENU button.
- 3 Press ▼ of the control button to display “Bluetooth SETTING [>>].”
- 4 Press ► of the control button. “Bluetooth ADDR” appears.
- 5 Press ▼ of the control button to display “PASSKEY INPUT [>>].”
- 6 Press ► of the control button. “PASSKEY INPUT <1> [X:X:X:X]” appears. (<1>: Current digit to be set, [X:X:X:X]: Passkey)

- 7** Press ◀ or ▶ of the control button to select a digit of the passkey to be changed.
This <1> shows the leftmost digit, and <4> shows the rightmost digit.
- 8** Press ▲ or ▼ of the control button to set the value of the passkey.
A value from 0 to 9 can be used.


Repeat Steps **7** and **8** until the four-digit passkey is set.
- 9** Press the EXEC button.
“PASSKEY INPUT Saving...” appears, and your passkey setting is stored.
- 10** When the setting is completed, press the MENU button.

Setting the Module Power

The Bluetooth Module Power must be set to ON to connect the camera and the printer using the Bluetooth function. If it is set to OFF, Bluetooth connection between devices is not possible.

Changing the setting for Module Power of the camera

- 1** Display the SETUP menu.
For details, see “Displaying the SETUP Menu” on page 28.
- 2** Press ▲ or ▼ of the control button to select Bluetooth.
- 3** Press the ENTER button.
The Bluetooth Menu display appears.
- 4** Press ▲ or ▼ of the control button to select MODULE.
- 5** Press the ENTER button.
The BT MODULE POWER display appears.
- 6** Confirm that either ON or OFF is selected, then Press the ENTER button.
The display returns to Bluetooth Menu.

When the module power for the camera is set to ON, the  (Bluetooth) icon appears at the top left of the LCD to the right of the power indicator.

Changing the setting for Module Power of the printer

- 1** Turn on the printer.
- 2** Press the MENU button.
- 3** Press ▼ of the control button to display “Bluetooth SETTING [>>].”
- 4** Press ▶ of the control button.
“Bluetooth ADDR” appears.
- 5** Press ▼ of the control button to display “MODULE POWER [>>].”
- 6** Press ▶ of the control button.
- 7** Press ◀ or ▶ of the control button to select ON or OFF.
- 8** Press the EXEC button.

If the Module Power setting of the printer is changed from ON to OFF, the Bluetooth lamp goes off, and “Ready” is displayed on the operation display of the printer. The camera treats this printer in the same way as one whose printer name and Bluetooth address are displayed in gray.

If the Module Power setting of the printer is changed from OFF to ON, “REBOOTING” is displayed on the operation display, and the printer restarts. After the printer restarts, the Bluetooth lamp lights, and “Ready BT RSSI [----]” is displayed on the operation display. To connect to the camera, press the PRINT button on the camera and reestablish connection.

Giving Your Printer a Device Number

When two or more printers are used in a system, it is convenient that each printer have a device number (from 1 to 9).

- 1 Turn on the printer.
“Ready BT RSSI [----]” appears on the operation display.
- 2 Press the MENU button.
- 3 Press ▼ of the control button to display “Bluetooth SETTING [>>].”
- 4 Press ► of the control button.
- 5 Press ▼ of the control button to display “MY DEVICE NAME [>>].”
- 6 Press ► of the control button.
“Sony UP-DX100 [NONE-9: EXEC]” appears.
- 7 Press ▲ or ▼ of the control button to set the device number.
- 8 Press the EXEC button.
“DEVICE NAME Saving. . .” appears, and the device number you have set is stored.
- 9 When the setting is completed, press the MENU button.

Checking the Connection Record of the Printer

- 1 Turn on the printer.
- 2 Press the MENU button.
- 3 Press ▼ of the control button to display “Bluetooth SETTING [>>].”
- 4 Press ► of the control button.
“Bluetooth ADDR” appears.
- 5 Press ▼ of the control button to display “CONNECTION RECORD [>>].”
- 6 Press ► of the control button.
The name and Bluetooth address of the devices being connected with the printer are displayed.
To scroll the display to check the information on other devices, press ▲ or ▼ of the control button.

To return to the “CONNECTION RECORD [>>]” display, press the EXEC button.

To return to the Ready display, press the MENU button.

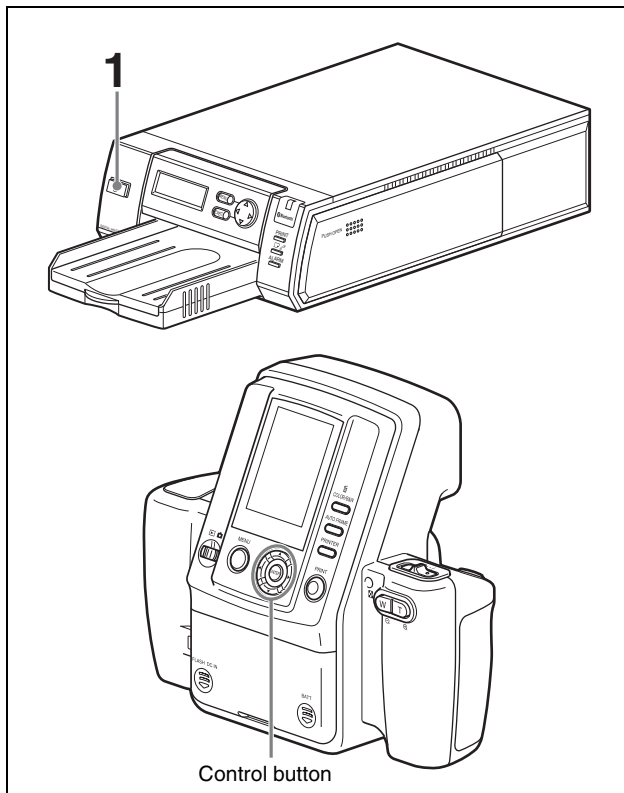
Adding/Registering a Printer

Up to three printers can be connected with the Bluetooth function in the UPX-C300 system. Printers can be added using the Setup menu of the camera.

Before adding a printer, the same passkey as that of the camera must be assigned for the printer.

If "NO PRINTER" is indicated when the camera is turned on, register the printer in the following manner:

For details on passkey setting, see "Changing the Passkey" on page 54.



1 Turn on the printer to be registered additionally.

2 Display the SETUP menu.

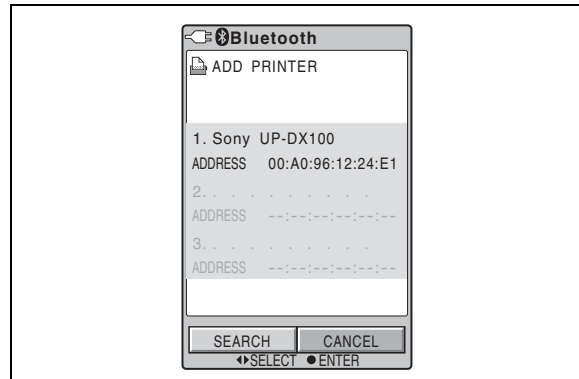
For details, see "Displaying the SETUP Menu" on page 28.

3 Press ▲ or ▼ of the control button to select Bluetooth.

4 Press the ENTER button.
The Bluetooth Menu display appears.

5 Press ▲ or ▼ of the control button to select ADD PRINTER.

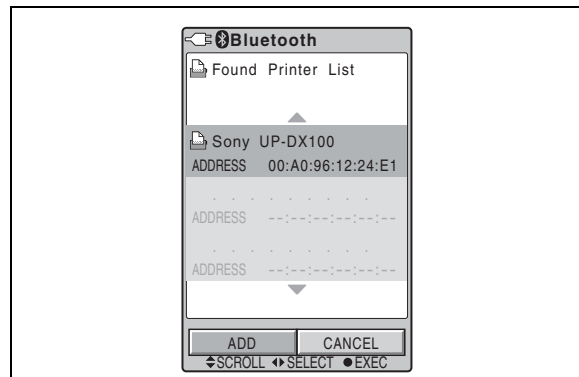
6 Press the ENTER button.
The ADD PRINTER display appears.



If one or two printers are still connectable, add printer(s) as shown in the following steps. If three printers are already connected, an unnecessary printer must be deleted beforehand.

For details on how to remove a printer, see "Removing a Printer" on page 59.

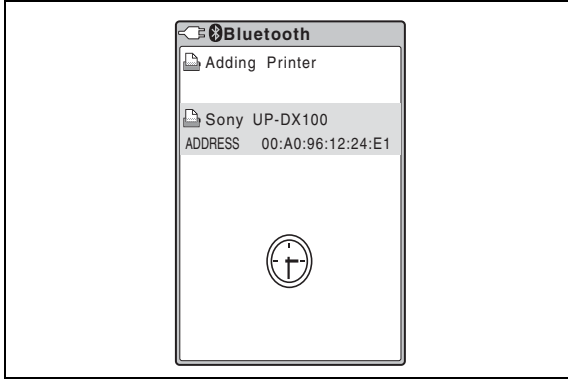
7 Press ◀ of the control button to select SEARCH, then press the ENTER button.
"Searching New Printers . . ." is displayed.
After searching is finished, the name and Bluetooth address of the printer found are displayed in black. The search for printers may take up to 60 seconds.



8 Press ▲ or ▼ of the control button to select a printer to be added.

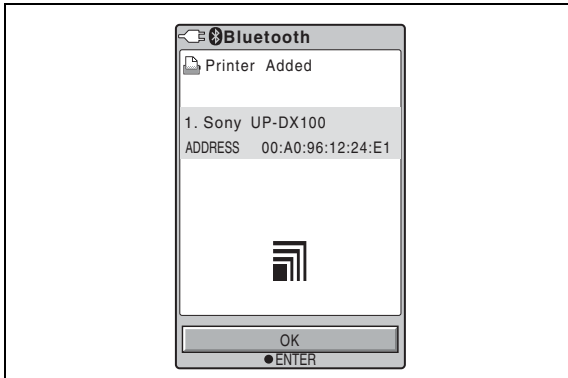
9 Press ◀ or ▶ of the control button to select ADD, then press the ENTER button.

During the authentication process of the selected printer, clock animation is displayed.

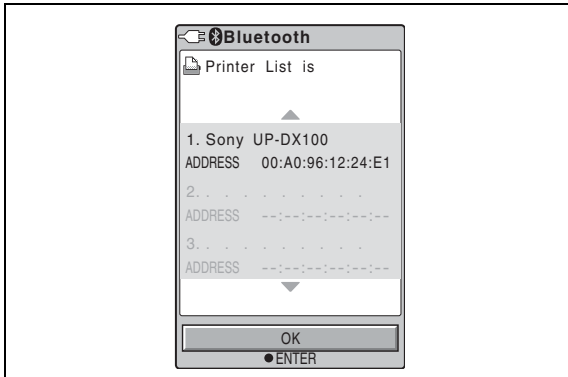


After the authentication process is finished, the name of the added printer is displayed. At the center of the display, an RSSI (Received Signal Strength Indicator) symbol is displayed, which may be used as a guide for adjusting locations of the camera and the printer.

- ■ ■ : The radio wave strength is good.
- ■ : The radio wave strength is a little weak, and data transmission may require a long period of time.



- 10** Press the ENTER button.
The Printer List reappears.



If there are any other printers you want to add, return to the Found Printer List.

- 11** Press the ENTER button again.
The display returns to Bluetooth Menu.

Canceling addition/registration of the printer

To cancel addition/registration of the printer, the following two methods are available:

- In Step 7, while “Searching New Printers . . .” is displayed, Press the ENTER button. Searching is interrupted, and the display returns to Bluetooth Menu.
- In Step 9, select CANCEL instead of ADD, then Press the ENTER button. Addition/registration of the printer is canceled.

If a printer cannot be added/registered

Printers cannot be added/registered in the following cases:

- Three printers have been already connected.
→ Delete an unnecessary printer.
- The passkey of the printer is different from that of the camera.
→ Set the same passkey as that of the camera.

If a message prompting printer update appears

While using this system, a message prompting you to update the printer’s firmware may appear on the camera LCD. In such a case, contact your nearest Sony dealer.

Removing a Printer

- 1** Display the SETUP menu.
For details, see “Displaying the SETUP Menu” on page 28.
- 2** Press ▲ or ▼ of the control button to select Bluetooth.
- 3** Press the ENTER button.
The Bluetooth Menu display appears.
- 4** Press ▲ or ▼ of the control button to select REMOVE PRINTER.
The REMOVE PRINTER display appears.
- 5** Press ▲ or ▼ of the control button to select a printer to be removed.
- 6** Press ◀ or ▶ of the control button to select REMOVE.
- 7** Press the ENTER button.
The printer selected in Step 5 is removed, and its printer name and Bluetooth address are deleted.
- 8** Press the ENTER button again.
The display returns to Bluetooth Menu.

To cancel removing the printer

In Step 6, select CANCEL instead of REMOVE, then Press the ENTER button. Deletion of the printer is canceled, and the display returns to Bluetooth Menu.

Operation with Several Printers

In a system using several printers, the basic operations are the same as when one printer is used. If the camera is turned on after a printer is turned on, the camera automatically searches for registered printers. The names and Bluetooth addresses of all printers with which connection has been established are displayed in black. Those of any printers with which connection has failed are displayed in gray.

Printers to be used can be selected with the PRINTER button. When a connected printer is selected, the print conditions of the selected printer are displayed in white on the LCD. If a printer that is not connected is selected, an alarm will be displayed in yellow.

To establish a connection with a currently disconnected printer, first check that the printer is turned on, and that the Bluetooth lamp is lit. In addition, press the PRINTER button on the camera, and make sure that the name of the printer to be connected is displayed in yellow. Then, press the PRINT button. “Reconnecting. . .” is displayed, and the process of reconnection starts. When reconnection has been established, in CAMERA mode, the camera returns to the normal recording mode. In PLAY or Auto Review mode, the Print Preview display is displayed. To start printing, press the PRINT button again. Transmission of image data starts. If printing is not required, press the MENU button to terminate the Print Preview display.

Note

When using the print queue function in a multi-printer system, images will only be printed from one printer.

Maintaining System Performance

To maintain system performance, be sure to read the following.

Camera

Locations of use and storage

Using or storing the camera in any of the following locations may result in a malfunction. Do not use or store the camera in such locations.

- Extremely hot or cold locations (operating temperature of 5 °C to 35 °C (41 °F to 95 °F))
- Locations subject to prolonged periods of direct sunlight or near heating appliances
- Locations with excessive humidity or dust
- Locations exposed to rain
- Locations exposed to severe vibration
- Near sources of strong magnetism
- Near sources of strong electromagnetic waves such as TV or radio transmitters

Heat dissipation

Do not cover the camera (such as with a cloth). Doing so will increase the internal temperature and may result in a malfunction.

Transportation

When transporting the camera, be sure to pack it in the supplied carton and cushioning or equivalent packaging, and make sure it is not subject to severe mechanical shocks.

Taking test pictures

Be sure to take test pictures beforehand to ensure that pictures can be taken normally.

Lens

Be careful not to bump into or press against the lens while shooting.

Also, do not touch the lens surface.

Printer

Precautions

- If you do not intend to use the printer for a long time, set the printer to standby mode and disconnect the power cord from the outlet.
- When transporting the printer, remove any accessories. Failing to do so may result in a malfunction.

Condensation

If the printer is moved from a location with low humidity to a warm location or placed in a room with a heater that causes steam and moisture to be generated, drops of water may form inside the printer. This phenomenon is referred to as condensation. If used in such a state, the printer will not work properly and may even malfunction. If there is a likelihood of condensation, turn off the power and leave the printer to stand for a while.

Cleaning

- Be sure to turn off the power and remove the power plug prior to cleaning.
- Use a blower to remove dirt and dust from the surface of the camera lens.
- Use a soft, dry cloth to gently wipe off dirt from the exterior. If the exterior is extremely dirty, use a cloth lightly moistened with a mild detergent solution to wipe off the dirt and then use a dry cloth.
- Do not use volatile substances such as alcohol, benzine, thinner, or insecticide because doing so may damage the finish and erase the indications.

Specifications

Camera

General

Power supply	Supplied from an AC power adaptor (5.0 V DC) or from Sony NH-AA Batteries (max. 2700 mAh)
Input current	1.65 A max. (using an AC power adaptor)
Operating temperature	5° C to 35 °C (41 °F to 95 °F)
Storage temperature	-20 °C to +60 °C (-4 °F to +140 °F)
Operating humidity	20% to 80% (non condensation)
Dimensions (w/h/d)	222 × 194 × 102 mm (8 ³ / ₄ × 7 ³ / ₄ × 4 ¹ / ₈ inches)
Mass	Approx. 900 g (2 lb)

System

Camera type	Digital still camera
Recording/playback system	Frame digital
Data compression/decompression system	JPEG baseline system
Recording medium	Built-in 64 MB flash memory
Picture elements	1/2.5 inch 8 M CCD solid-state picture element
Recording resolution	3264 × 2448 pixels (HIGH) 1632 × 1224 pixels (STD)
Recording capacity	approx. 30 or more pictures (High resolution) approx. 120 or more pictures (Standard resolution)
Number of shots (with Typ. 2000 mAh/Min. 1900 mAh Sony NH-AA nickel-hydride batteries)	Approx. 40 shots under the following conditions: – Temperature: 25 °C – Shooting conditions: 1) Adjust the zoom to WIDE, TELE, and back to WIDE after turning power on; 2) take two shots using flash; 3) print one image; 4) enter power save mode after 10 minutes via AUTO POWER SAVE. Results may vary in lower temperatures and other shooting conditions.
Delete method	1 picture delete, all picture delete

White balance	Program, One Push, 3000K to 7000K (500K steps)
Shutter speed	1/2 to 1/1000 second
Photographic sensitivity	Equivalent to ISO 200 (P4, 0EV)
LCD monitor	3.0-inch cold polysilicone TFT color LCD viewfinder 230,000 pixel
Lens	f = 12.5 to 25 mm, 2 times (equivalent to a 75 to 150-mm lens with a 35-mm film camera), auto focus F-value (open): F4.7 (at W) to F5.5 (at T)

External connectors

DC IN 5.0V	5.0 V DC
Flash terminal	X sync

Printer

Power supply	100 to 240 V AC, 50/60 Hz
Input current	1.1 A max. (When printing)
Operating temperature	5 °C to 35 °C (41 °F to 95 °F)
Storage/transport temperature	-20 °C to +60 °C (-4 °F to +140 °F)
Operating humidity	20% to 80% (non condensation)
Maximum dimensions (w/h/d)	203 × 85 × 305 mm (8 × 3 ³ / ₈ × 12 ¹ / ₈ inches)
Mass	Approx. 2.7 kg (5 lb 15 oz) (main unit only)
Printing method	Dye-sublimation thermal transfer printing (yellow, magenta, cyan, laminate)
Print resolution	403 × 403 dpi
Thermal head	403 dots/inch
Print gradations	8 bits for yellow, magenta, cyan
Printing time	UPC-X46 series: 100 sec./sheet UPC-X34 series: 65 sec./sheet
Paper supply method	Autofeed from paper tray
Maximum capacity of paper tray	UPC-X46 series: 25 sheets UPC-X34 series: 30 sheets
Paper eject method	Front ejection Sheets are ejected in order on top of paper tray
Printing capacity of ribbon cartridge	UPC-X46 series: 25 sheets UPC-X34 series: 30 sheets
Inputs	AC IN (power inlet)
Maximum print size	UPC-X46 series: 101.6 × 151.4 mm (4 × 6 ¹ / ₈ inches) (no border)

UPC-X34 series: 70.1 × 95.3 mm
(2 ⁷/₈ × 3 ⁷/₈ inches) (with border)
UPC-X46 series: 1664 × 2440 dots
UPC-X34 series: 1112 × 1512 dots

Print pixels

Bluetooth specifications

Communication type (camera)
Bluetooth Specification, ver.2.0
Communication type (printer)
Bluetooth Specification, ver.1.1
Maximum transmission speed¹⁾
About 723 Kbps
Output
Bluetooth Specification, Power Class
2
Communication distance²⁾
About 10 m (33 feet) without
obstacles
Compatible Bluetooth profile³⁾
Basic Imaging Profile (Image Push
Feature)
Frequency band 2.4 GHz (2.400 GHz – 2.4835 GHz)

- 1) Maximum data transmission speed based on Bluetooth Specification, Ver.1.1. This speed depends on the distance between the devices, obstacles, radio wave conditions, application software, or the OS.
- 2) This distance depends on the distance between the devices, obstacles, radio wave conditions, application software, or the OS.
- 3) This specification is in accordance with the intended use between two Bluetooth devices. This is defined by the Bluetooth Specification.

AC power adaptor

Power supply 100 to 240 V AC, 50/60 Hz
Input current 0.26 A
Output 5.0 V DC, 2.0 A in operating mode
Operating temperature
5 °C to 35 °C (41 °F to 95 °F)
Storage temperature
-20 °C to +60 °C (-4 °F to +140 °F)
Dimensions (W/H/D)
Approx. 69 × 26 × 50 mm (2-3/4 ×
1-1/16 × 2") (including
protrusions)
Weight Approx. 170 g (6.0 oz)

Supplied accessories

Paper tray for the UPC-X46 series (1)
Paper tray for the UPC-X34 series (1)
Tray cover (1)
AC power adaptor UPA-AC05 (1)
Cleaning cassette (1)
Operating Instructions (1 set)
Quick Reference (1)

Optional accessories

UP-DX100 Digital Photo Printer
10UPC-X46 Series Self-laminating Color Printing Pack
(250 sheets)
10UPC-X34 Series Self-laminating Color Printing Pack
(300 sheets)

Design and specifications are subject to change without notice.

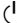
Notes

- Always verify that the unit is operating properly before use.
SONY WILL NOT BE LIABLE FOR DAMAGES OF ANY KIND INCLUDING, BUT NOT LIMITED TO, COMPENSATION OR REIMBURSEMENT ON ACCOUNT OF FAILURE TO PRINT CONTENT OF ANY TYPE OR LOSS OF DATA DUE TO FAILURE OF THIS UNIT OR ITS PRINTING MEDIA, ASSOCIATED SOFTWARE, EXTERNAL STORAGE, OR OTHER EXTERNAL DEVICE.
- SONY WILL NOT BE LIABLE FOR DAMAGES OF ANY KIND INCLUDING, BUT NOT LIMITED TO, COMPENSATION OR REIMBURSEMENT ON ACCOUNT OF THE LOSS OF PRESENT OR PROSPECTIVE PROFITS DUE TO FAILURE OF THIS UNIT, EITHER DURING THE WARRANTY PERIOD OR AFTER EXPIRATION OF THE WARRANTY, OR FOR ANY OTHER REASON WHATSOEVER.



Troubleshooting




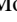
Check the following items prior to submitting the equipment for repair. If the problem persists, contact your nearest Sony dealer.

Camera

Symptom	Cause/Solution
The camera does not enter standby mode even if the on/standby switch is set to  (standby).	<ul style="list-style-type: none"> The camera's internal processing is taking a long time. <ul style="list-style-type: none"> → Wait a while. If the power still does not enter standby mode, disconnect the power cord or remove the batteries.
The on/standby switch of the camera is set to I (on), but the camera and printer are not connected.	<ul style="list-style-type: none"> The power of the printer is not turned on. <ul style="list-style-type: none"> → Turn the printer on, and then turn the camera on. The Bluetooth module of the camera or printer is turned off. <ul style="list-style-type: none"> → Turn on both of the modules. (See "Setting the Module Power" (on page 55).) "NO PRINTER" appears. <ul style="list-style-type: none"> → The registration of the printer is cancelled. Register the printer. (See "Adding/Registering a Printer" (on page 57).)
The standby lamp is lit orange or red, and the camera does not operate.	<ul style="list-style-type: none"> → This is a problem with camera. Contact your nearest Sony dealer.

While Taking Pictures

Symptom	Cause/Solution
A picture is not taken when the release button is pressed.	<ul style="list-style-type: none"> The mode switch is not set to . <ul style="list-style-type: none"> → Set the mode switch to . Image data storage is in progress or the flash is charging (the standby lamp is rapidly flashing orange). <ul style="list-style-type: none"> → Wait until the standby lamp lights orange. The memory is full (the standby lamp is flashing orange). <ul style="list-style-type: none"> → Check the indication for the remaining number of pictures that can be taken. If it is zero, erase any pictures that are not needed. → Set AUTO ERASE to ON.

Symptom	Cause/Solution
The flash does not fire.	<ul style="list-style-type: none"> Flash Mode is not set appropriately. <ul style="list-style-type: none"> → Set FLASH MODE in the menu to P, or M. (See "Selecting the Flash Mode" on page 33) The external flash is not lighting properly. <ul style="list-style-type: none"> → Set FLASH MODE in the menu to P, or M. (See "Selecting the Flash Mode" on page 33) The batteries are dead. <ul style="list-style-type: none"> → Connect the camera to an AC power source, or charge the batteries. The life of the flash is used up. <ul style="list-style-type: none"> → Contact your nearest Sony dealer.

Camera LCD

Symptom	Cause/Solution
If the camera is used in a cold location, residual images may appear on the LCD. Black spots may appear or red, blue, green, or other color spots may remain on the LCD.	<ul style="list-style-type: none"> This is a normal phenomenon associated with LCDs. <ul style="list-style-type: none"> → This is not a malfunction.
A printer icon appears in the center of the LCD, and the camera does not operate.	<ul style="list-style-type: none"> The printer is printing a picture. <ul style="list-style-type: none"> → Wait until printing finishes and perform the operation again.
The display image freezes for a while after data transmission ends.	<ul style="list-style-type: none"> Paper is being fed to the printer. <ul style="list-style-type: none"> → The display image will change when the paper finishes feeding and printing begins.

Printing

Symptom	Cause/Solution
Pictures do not print, even if the PRINT button is pressed.	<ul style="list-style-type: none"> The camera is set to Shooting mode. <ul style="list-style-type: none"> → Pictures can only be printed from auto-review display or Playback mode. The print queue function is enabled. <ul style="list-style-type: none"> → Print using the print queue function, or cancel this function. (See "Using the Print Queue Function" on page 36)

Picture Quality

Symptom	Cause/Solution
The picture is blurred.	<ul style="list-style-type: none"> • The picture is out of focus. → Check the distance between the lens and the subject, and make sure the subject is within the focus range. • The camera was moved when the release button was pressed. → Hold the camera correctly and press the release button slowly. • The shutter speed was too slow because FLASH MODE is set to Mf or M3. → Set the appropriate shooting conditions. (See “Flash Mode Setting Parameters” on page 8) • The lens is dirty. → Clean the lens with a clean, soft, dry cloth.
The picture is too dark.	<ul style="list-style-type: none"> • Something (such as a finger) was blocking the flash. → Hold the camera correctly and make sure nothing is blocking the flash. • The subject was too far away. → Make sure the subject is within flash range when taking the picture. → Compensate the exposure. • The subject was backlit. → Use the flash.
The colors in a picture taken indoors are not correct.	<ul style="list-style-type: none"> • The lighting is affecting the colors. → Set the white balance correctly. (See “Adjusting the White Balance” on page 34)
Part of the picture is missing.	<ul style="list-style-type: none"> • Something (such as a finger) was blocking the lens. → Hold the camera correctly and make sure nothing is blocking the lens.


Printer

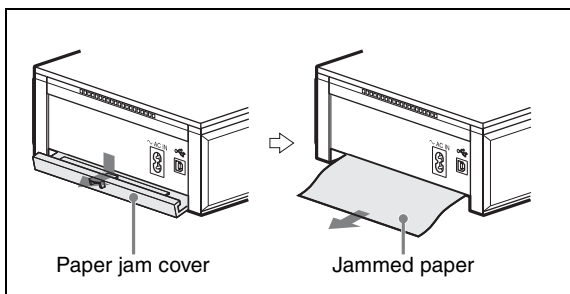
Symptom	Cause/Solution
Cannot turn on the printer.	<ul style="list-style-type: none"> • The power cord is not connected properly. → Connect the power cord to an AC outlet properly.
Cannot print.	<ul style="list-style-type: none"> • The print paper and print cartridge do not match. → Use a correct combination of print paper and print cartridge designed for the printer. • “Waiting” is displayed on the operation display because the internal temperature of the printer is too high. → If the internal temperature of the printer becomes too high, printing is temporarily disabled. Wait until printing resumes automatically. • The print paper is jammed. → Remove the jammed paper and try again. (See “Removing Jammed Paper” on page 65)
Cannot remove the print cartridge.	<ul style="list-style-type: none"> → The print cartridge cannot be removed while printing. Wait until printing is finished. If the print cartridge still cannot be removed, contact your nearest Sony dealer.
White lines or marks appear on printed pictures.	<ul style="list-style-type: none"> • There may be dust on the thermal head. → Use the supplied cleaning cassette to clean the thermal head. (See “Cleaning the Inside of the Printer” on page 65) • The roller inside the printer may be marking the print paper. → Try reducing the number of sheets in the paper tray.
The printer makes short beeping sounds and does not perform an operation.	<ul style="list-style-type: none"> → The printer makes short beeping sounds when requested to perform an operation that is not possible.
The ALARM lamp lights or flashes and an error message appears.	<ul style="list-style-type: none"> → Follow the on-screen instructions.

Removing Jammed Paper

If a paper jam occurs while printing is in progress, the ALARM lamp lights, an error message appears, and printing stops.

Perform the following steps to remove the jammed paper.

- 1 Press the  button on the printer to switch to standby mode.
- 2 Remove the paper tray, and then remove any jammed paper.
- 3 Remove the paper jam cover on the rear panel, and check that there is no jammed paper. If there is any jammed paper, remove it.



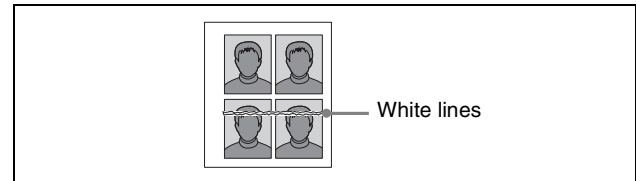
- 4 Reattach the paper jam cover.
- 5 Insert the paper tray.
- 6 Turn on the printer.

Note

If you are unable to remove the jammed paper, contact your nearest Sony dealer.

Cleaning the Inside of the Printer

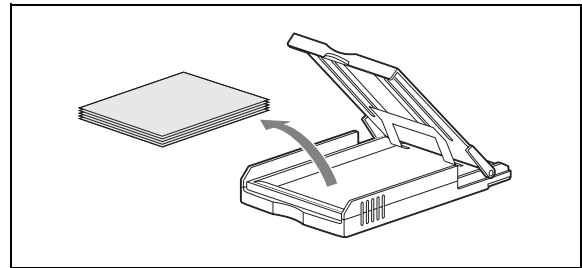
If white lines or dots appear on printed pictures, clean the inside of the printer using the supplied cleaning cassette and the protective sheet included with the printing pack.



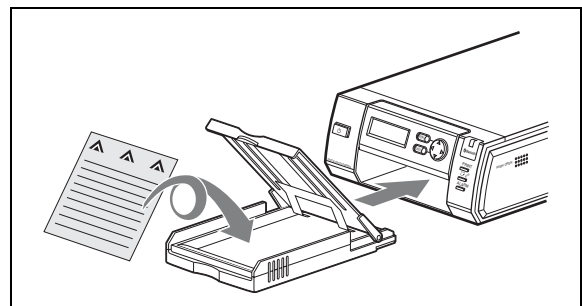
Notes

- Only perform cleaning if there are white lines or dots on the printed pictures.
- When the printer is printing pictures normally, cleaning will not improve print quality.

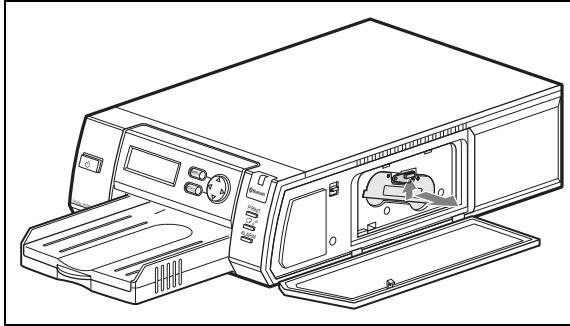
- 1 Remove the paper tray from the printer, and then remove the paper from the tray.



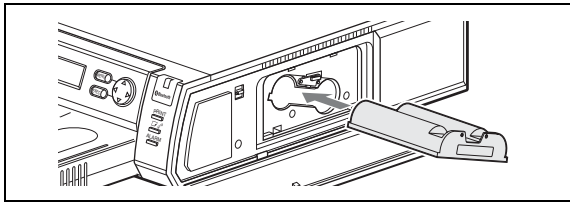
- 2 Place the protective sheet in the tray so that the unprinted side is facing up, make sure the arrows on the bottom of the tray and arrows on the printed side of the sheet are pointing in the same direction, and then insert the paper tray into the printer.



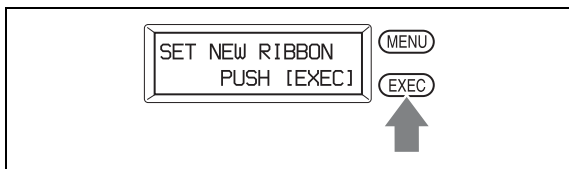
- 3** Open the print cartridge cover and remove the print cartridge.



- 4** Insert the supplied cleaning cassette and close the print cartridge cover.

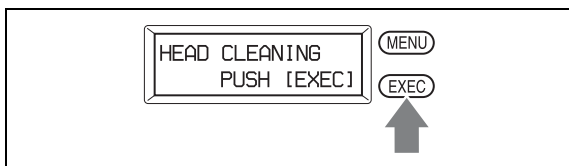


- 5** Press the EXEC button.

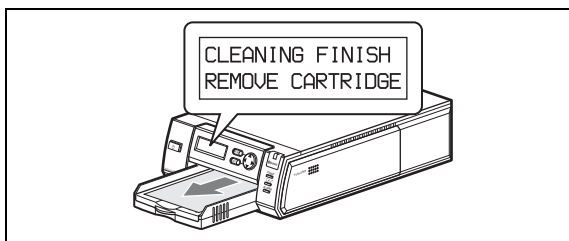


A buzzer sounds and "HEAD CLEANING/PUSH [EXEC]" appears.

- 6** Press the EXEC button again.



The cleaning cassette and protective sheet clean the inside of the printer. After cleaning is finished, the protective sheet is automatically ejected.



- 7** Remove the cleaning cassette from the printer, and reinsert the print cartridge and paper tray.

Error Messages

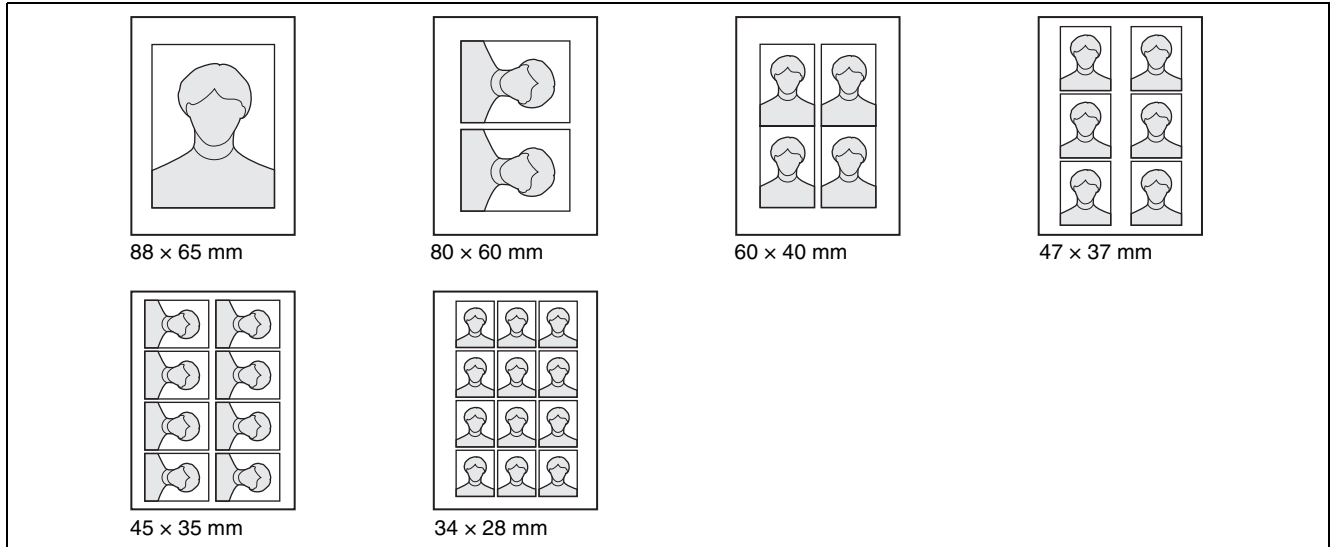
Camera	Printer	Cause/Solution
SET MEDIA	SET NEW RIBBON PUSH [EXEC]	<ul style="list-style-type: none"> The print cartridge is not installed properly. →Install the print cartridge properly, and press the EXEC button.
		<ul style="list-style-type: none"> The print cartridge has run out. →Replace the print cartridge, and press the EXEC button.
	SET PAPER PUSH [EXEC]	<ul style="list-style-type: none"> The paper tray is not installed. →Install the paper tray, and press the EXEC button.
		<ul style="list-style-type: none"> The print paper has run out. →Insert print paper, and press the EXEC button.
CHECK PRINTER	MEDIA MISMATCH PUSH [EXEC]	<ul style="list-style-type: none"> The print paper and print cartridge do not match. →Insert the correct print paper and press the EXEC button.
	PAPER JAMMING REMOVE PRINTS	<ul style="list-style-type: none"> There is a print paper jam. →Remove the jammed paper, and try printing again. (See “Removing Jammed Paper” on page 65)
	REMOVE PRINTS PUSH [EXEC]	<ul style="list-style-type: none"> Print paper remains in the ejection slot. →Remove the paper tray, remove the print paper, and then press the EXEC button.
	BLUETOOTH ERROR SERVICE CALL	<ul style="list-style-type: none"> There is a problem with the Bluetooth function. →Contact your nearest Sony dealer.
	PRINTER ERROR PLEASE RETRY	<ul style="list-style-type: none"> An error has occurred with the printer. →Try printing again.
	PRINTER ERROR SERVICE CALL	<ul style="list-style-type: none"> There is a problem with the printer. →Contact your nearest Sony dealer.
	—	<ul style="list-style-type: none"> The menu is displayed in the operation display on the printer. →End the menu operation, and display the READY screen.
	—	<ul style="list-style-type: none"> The printer is not connected correctly. →Restart the camera and printer, and then try again.
TRANSMISSION FAILED!	—	<ul style="list-style-type: none"> Print data failed to transmit. →Restart the camera and printer, and then try the operation again.

Some of the above error messages for the camera disappear after the problem is solved, and some do not. If an error message does not disappear after you solve the problem, press the MENU button to clear it.

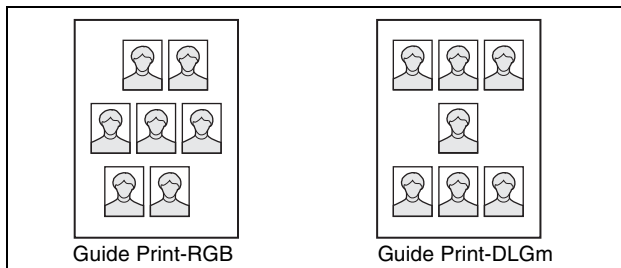
Appendix

Print Layouts

Layout examples when using UPC-X46 series print paper

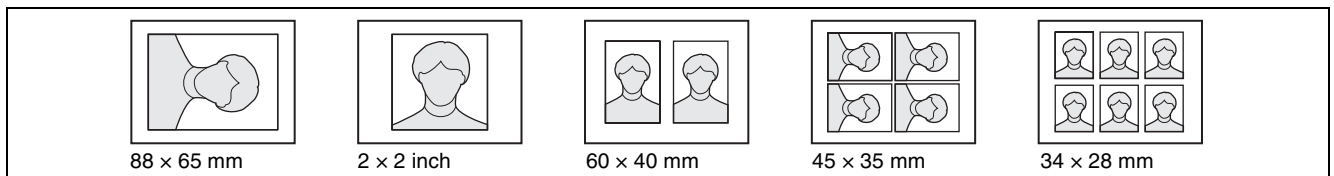


Guide print

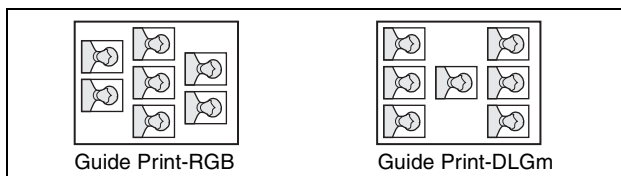


These guides are useful when adjusting the image quality of the printer.

Layout examples when using UPC-X34 series print paper



Guide print



These guides are useful when adjusting the image quality of the printer.

Index

- A**
 - AC power
 - Camera 14
 - Printer 19
 - AC power adaptor 14
 - ALARM lamp 12
 - APERTURE 29
 - Aperture 33
 - AUTO ERASE 29
 - Auto erase mode 32
 - AUTO FRAME (automatic position matching) button 10
 - Auto power save 41
 - Autofocus function 9, 22
 - Auto-review 21, 22
- B**
 - Basic Imaging Profile (BIP) 52
 - Battery compartment lid 11
 - Battery power indicator 15
 - BIP 52
 - Black & white guide print 49
 - Adjusting balance of three colors 49
 - Black & white prints 24
 - Bluetooth 31
 - Bluetooth address 52
 - Confirming 54
 - Bluetooth connection 53
 - Checking 53
 - If the connection fails 53
 - Bluetooth functions 52
 - Bluetooth lamp 12
 - Bluetooth SETTING 31
 - Built-in flash
 - Changing the flash mode 33
 - No flash mode 7
- C**
 - CAMERA SOUND 31
 - Capture menu 27, 29
 - Capture mode 29
 - Cartridge release lever 12
 - Cleaning 60, 65
 - COLOR ADJUST 31
 - Color tone adjustment (printer) 49
 - Complementary colors 49
 - Connection Record 56
 - Checking 56
 - Connections
 - AC power 14
- Control button 12
- COPY PRINT 24, 31
- Country code 38
- D**
 - Data transmission 23
 - Cancel 23
 - DC IN jack 11
 - DELETE 30
 - DELETE ALL 30
 - Deleting pictures 25
 - All pictures 26
 - Canceling 26
 - Exiting picture deletion 26
 - Individual pictures 26
 - Pictures in playback 25
 - Device number 56
 - Die-cut print 40
 - Display during printing 51
 - Display language 42
- E**
 - ENTER button 11
 - Error messages 67
 - EXEC (Execute) button 12
 - Exposure
 - Compensating 35
 - Compensation function (Capture mode) 22
 - Manual exposure 7
 - Exposure compensation value 21
 - Exposure control and Fash Mode 33
 - External connector cover 11
- F**
 - FIRMWARE VERSION 31, 43
 - Flash 9
 - FLASH MODE 29
 - Flash mode (exposure control and flash mode)
 - Changing the mode 33
 - Modes and environment examples 7
 - FLASH terminal 11
- G**
 - Guide print 68
 - Black & white prints 49
 - Guide Print-DLGm 49
 - Guide Print-RGB 48
- I**
 - ID photo frame 37
 - Setting up a frame for display during printing 37
 - Image Push Feature 52
 - Image resolution 20, 32
- L**
 - LANGUAGE 31
 - LCD screen (camera)
 - During layout preview 23
 - During playback 25
 - While taking pictures 21
 - LCD screen (printer)
 - During printing 51
 - Lens 9
 - Locking menus 44
- M**
 - Memory
 - Deleting pictures 21
 - Menu (camera)
 - Capture mode 29
 - Functions of menu items 29
 - Locking 44
 - Playback mode 30
 - SETUP 30
 - MENU button 11
 - Mode switch 11
 - Module Power
 - Changing the setting for Module Power of the camera 55
 - Changing the setting for Module Power of the printer 55
- N**
 - Nine-picture multiple display 25
 - Number of pictures (total number) 25
 - Number of pictures that can be taken 32, 63
- O**
 - On/standby switch 10
 - OnePush 34
 - Operation display (camera)
 - During layout preview 23
 - During playback 25
 - While taking pictures 21
 - Operation display (printer) 12
 - Operation sounds (camera) 42
- P**
 - Paper jams 65
 - Paper jam cover 13

- Paper tray slot 12
- Parameters
 - B parameter 46
 - D parameter 46
 - G parameter 46
 - Gm parameter 46
 - L parameter 46
 - R parameter 45
- Passkey 31, 52, 54, 57
 - Changing the passkey of the camera 54
 - Changing the passkey of the printer 54
 - Changing the settings 52
- Passkey authentication 52
- Picture information 35
- Playback
 - LCD screen 25
- Playback menu 27, 30
- Playback mode 30
- Power 20
- Preparations
 - Camera 14
 - Printer 16
- Print cartridge cover 12
- Print cartridge slot 12
- Print cartridges
 - Loading 18
- PRINT lamp (printer) 12
- Print layout
 - List 68
- PRINT OFFSET 51
- Print packs 16
- Print paper 17
- Print preview screen 23
- Print quality adjustment 24, 44
 - Black & white prints 24
 - Parameters 45
- Print queue flag 25
- Print size 23, 32
- Print size (print layout)
 - List 68
- PRINT SIZE LIST 30
- Print time 61
- Printer 57
 - Adding/Registering 57
 - Canceling addition/registration 58
 - If a printer cannot be added/registered 58
 - Operation with Several Printers 59
 - Preparing 16
 - Removing 59
 - To cancel removing 59
- PRINTER button 10

- Printing 22
 - Printing pictures stored in the camera's built-in memory 24
 - Printing the last picture taken 22
 - Reprinting pictures from the printer's memory 24
- Printing time 51
- PROPERTY 30, 53

- Q**
- Quick Review mode 59

- R**
- Recording capacity 61
- Release button 9
- Removing jammed paper 65
- Reprinting (from the printer's memory) 24
 - Setting the number of sheets 24
- Reset default settings 43
- RESET SETTING 31
- RESOLUTION 29
- Resolution 21, 25
- RGB parameter adjustment 48
- RSSI (Received Signal Strength Indicator) 58

- S**
- Settings 27
- SETUP 29, 30
- SETUP menu 28, 30
- Shooting condition 8, 20
 - Factory settings 20
- Shooting environments 7
- SHUTTER 29
- Shutter speed 34
- Sound (camera) 42
- Standby lamp (camera) 10
- Standby mode 20
- Supplied accessories 14
- System configuration 5

- T**
- Taking pictures 21
 - LCD screen 21
- Total number of pictures in memory 25
- TOTAL PRINTS 31
- Tray cover 18
- Tripod 16
- Tripod screw hole 9
- Troubleshooting 63

- U**
- USB connector 13

- V**
- Viewing captured pictures 24

- W**
- WHITE BALANCE 29
- White balance
 - Adjusting 34
 - Capturing 34

- Z**
- Zoom
 - Zoom lever 11

AVERTISSEMENT

Afin de réduire les risques d'incendie ou d'électrocution, ne pas exposer cet appareil à la pluie ou à l'humidité.

Afin d'écartier tout risque d'électrocution, garder le coffret fermé. Ne confier l'entretien de l'appareil qu'à un personnel qualifié.

pour l'imprimante UP-DX100 et l'appareil-photo numérique DKC-C300X

Pour les utilisateurs au Canada

Cet appareil numérique de la classe B est conforme à la norme NMB-003 du Canada.

L'utilisation doit répondre aux deux conditions suivantes : (1) ce matériel ne doit pas provoquer de brouillage et (2) il doit accepter tout brouillage, même celui qui est susceptible d'affecter son fonctionnement.

La mention « IC: » devant le numéro de certification/homologation signifie uniquement que les spécifications techniques d'Industrie Canada sont remplies.

pour l'appareil-photo numérique DKC-C300X

Pour les utilisateurs aux Etats-Unis et au Canada

Cet appareil est conforme aux limitations d'exposition aux radiations FCC/IC établies pour les appareils non contrôlés ainsi qu'aux directives FCC d'exposition aux fréquences radio (RF) en supplément C aux règles OET65 et RSS-102 d'exposition aux fréquences radio (RF) IC. Cet appareil contient de très faibles niveaux d'énergie RF affaiblies pour être conforme sans test au taux d'absorption spécifique (SAR).

pour l'adaptateur d'alimentation AC UPA-AC05

Pour les utilisateurs aux Etats-Unis et au Canada

Cet appareil de classe B est conforme à la partie 15 des règles FCC et à ICES-003 canadien.

Le fonctionnement est sujet aux deux conditions suivantes : (1) cet appareil ne risque pas de provoquer des interférences nocives et (2) cet appareil doit accepter toute référence reçue, y compris les interférences pouvant provoquer un mauvais fonctionnement.

pour l'imprimante UP-DX100 et l'adaptateur d'alimentation AC UPA-AC05

AVERTISSEMENT

Cet appareil ne possède pas d'interrupteur d'alimentation.

Lors de l'installation de l'appareil, incorporer un dispositif de coupure dans le câblage fixe ou brancher la fiche d'alimentation dans une prise murale facilement accessible proche de l'appareil. En cas de problème lors du fonctionnement de l'appareil, enclencher le dispositif de coupure d'alimentation ou débrancher la fiche d'alimentation.

AVERTISSEMENT sur la connexion électrique Utilisez un cordon d'alimentation correspondant à votre courant électrique local.

1. Utilisez le cordon d'alimentation (plomb secteur à 2 tores)/le connecteur de périphérique/la prise autorisés et conformes aux règles de sécurité de chaque pays d'utilisation.

2. Utilisez le cordon d'alimentation (plomb secteur à 2 tores)/le connecteur de périphérique/la prise conformes aux puissances nominales adéquates (tension, ampérage).

Si vous avez des questions sur l'utilisation du cordon d'alimentation (plomb secteur à 2 tores)/du connecteur de périphérique/de la prise, consultez un personnel de service après-vente qualifié.

FR

pour l'imprimante UP-DX100 et l'appareil-photo numérique DKC-C300X

Pour les clients en Europe

Par la présente Sony Corporation déclare que les « UP-DX100 » et « DKC-C300X » sont conformes aux exigences essentielles et aux autres dispositions pertinentes de la directive 1999/5/CE.

Pour toute information complémentaire, veuillez consulter l'URL suivante:

<http://www.compliance.sony.de/>

pour l'imprimante UP-DX100, l'appareil-photo numérique DKC-C300X et l'adaptateur d'alimentation AC UPA-AC05

Pour les clients en Europe

Le fabricant de ce produit est Sony Corporation, 1-7-1 Konan, Minato-ku, Tokyo, Japon.

Le représentant autorisé pour EMC et la sécurité des produits est Sony Deutschland GmbH, Hedelfinger Strasse 61, 70327 Stuttgart, Allemagne. Pour toute question concernant le service ou la garantie, veuillez consulter les adresses indiquées dans les documents de service ou de garantie séparés.

pour la pile

ATTENTION

Danger d'explosion si la batterie n'est pas remplacée correctement.

Remplacez-la uniquement avec le même type ou un type équivalent recommandé par le fabricant.

Disposez des batteries usagées selon les instructions du fabricant.

Tous les noms des sociétés et des produits mentionnés ici sont des marques de fabrique ou des marques déposées de leurs sociétés respectives. Notez que «™» et «®» ne sont pas mentionnés dans tous les cas dans ce manuel.

La duplication, l'édition ou l'impression d'un CD, d'émissions de télévision, d'œuvres protégées par des droits d'auteur telles qu'images ou publications ou de toute autre œuvre autre que vos propres enregistrements ou créations sont limitées à un usage privé ou familial. À moins que vous ne déteniez les droits d'auteur des œuvres à dupliquer ou l'autorisation de leurs titulaires, l'utilisation de ces œuvres au-delà de cette limite peut constituer une infraction aux dispositions de la loi sur les droits d'auteur et donner lieu à une réclamation en dommages-intérêts par le titulaire des droits d'auteur. Lors de l'utilisation de cette imprimante pour des images photos, veillez à ne pas contrevenir aux dispositions de la loi sur les droits d'auteur. Une utilisation ou modification non autorisée de l'image d'autrui peut également porter atteinte aux droits des personnes.

La photographie peut être interdite pour certaines manifestations, représentations ou expositions.

Table des matières

Description générale du système	74
Configuration du système	74
Flux d'opération	75
Caractéristiques utiles	75
Modes Flash et exemple de conditions de prise de vue	76
Paramètres de réglages du mode Flash	77
Nomenclature	78
Appareil-photo	78
Imprimante	81
Accessoires fournis	83
Vérification du contenu	83
Préparatifs	83
Préparation de l'appareil-photo	83
Préparation de l'imprimante	85
Mise sous tension	88
Opérations (Prise de vue et impression)	90
Prise de vue	90
Impression de la dernière prise de vue (à partir de l'écran de visualisation automatique après capture)	92
Impression d'une photo enregistrée dans la mémoire interne de l'appareil-photo	94
Réimpression d'une photo enregistrée dans la mémoire de l'imprimante (COPY PRINT)	94
Visualisation d'une photo sur le LCD	94
Suppression d'une photo	95
Réglages	97
Affichage du menu de prise de vue	97
Affichage du menu Lecture	97
Affichage du menu REGLAGE	98
Menu	99
Fonctions des articles de menu	99
Réglage de la résolution d'image	102
Réglage du mode AUTO SUPPRESSION	102
Sélection du Mode Flash	103
Réglage de l'ouverture	103
Réglage de la vitesse d'obturation	104
Réglage de la balance des blancs	104
Correction de l'exposition	105
Visualisation des informations sur des images capturées	105
Utilisation de la file d'attente d'impression ...	106
Réglage d'un cadre à afficher lors de l'impression	107
Création d'un cadre supplémentaire	108
Utilisation de la fonction Impression en découpe	110
Utilisation de la fonction d'économie d'énergie automatique	111
Réglage des sons de l'appareil-photo	111
Sélection de l'affichage de la langue	112
Réinitialisation de tous les réglages par défaut	112
Affichage de la version du microprogramme	113
Verrouillage des menus de l'appareil-photo ...	113
Réglage de la qualité d'impression	114
Réglage de la qualité d'image	114
Explication des paramètres de réglage de la qualité d'image	115
Fonction Guide d'impression	117
Durées d'impression	119
Réglage de la position d'impression (PRINT OFFSET)	120
Réglage des fonctions Bluetooth	121
Technologie sans fil Bluetooth	121
Le profil d'infographie basique « Basic Imaging Profile »	121
Adresse Bluetooth	121
Authentification de clé d'identification	121
Connexion Bluetooth	122
Vérification de l'état de connexion Bluetooth de l'appareil-photo (PROPRIETE)	122
Confirmation de l'adresse Bluetooth de l'imprimante	123
Changement de la clé d'identification	123
Réglage de l'alimentation du module	124
Attribution d'un numéro de périphérique à l'imprimante	125
Vérification de l'historique de connexion de l'imprimante	125
Ajout/Enregistrement d'une imprimante	126
Retrait d'une imprimante	128
Fonctionnement avec plusieurs imprimantes ..	128
Maintien des performances du système	129
Appareil-photo	129
Imprimante	129
Nettoyage	129
Spécifications	130
Guide de dépannage	132
Appareil-photo	132
Lors de la prise de vue	132
LCD de l'appareil photo	132
Impression	133
Qualité d'image	133
Imprimante	134
Dégagement d'un bourrage de papier	134
Nettoyage de l'intérieur de l'imprimante	135
Messages d'erreur	136
Appendice	137
Mises en page d'impression	137
Index	138

Description générale du système

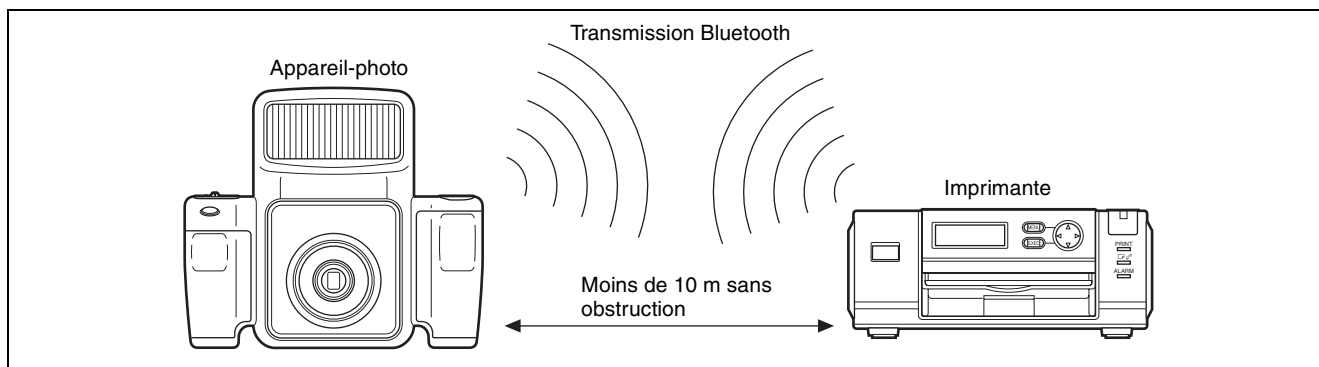
Le système d'impression numérique Sony UPX-C300 est conçu pour vous permettre de prendre des photos d'identité ou pour passeport avec un appareil-photo numérique et de les imprimer avec une qualité photo et une résolution (403 ppp) élevées en couleur ou en noir et blanc.

Deux types de papier d'impression sont compatibles :
Les séries UPC-X46 et UPC-X34.
Le système adopte la technologie sans fil Bluetooth qui permet la communication entre l'appareil-photo et l'imprimante sans utilisation de câbles.

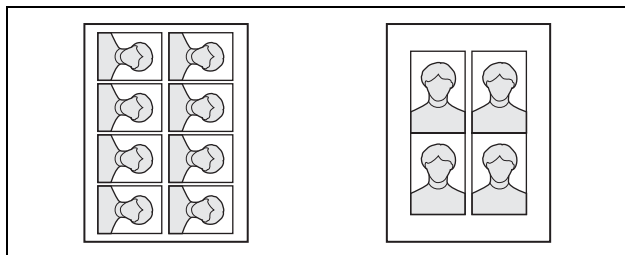
Configuration du système

Vous pouvez envoyer des images de l'appareil-photo à l'imprimante sans câble.

Pour les détails sur la fonction Bluetooth, reportez-vous à « Réglage des fonctions Bluetooth » en page 121.



Vous pouvez imprimer des images avec la meilleure taille de visage en fonction de l'utilisation des images. La taille de la figure peut être déterminée automatiquement ou bien vous pouvez la régler manuellement en regardant le cadre. Les images prises peuvent être imprimées sous différentes dispositions pour les photos pour passeport ou d'identité ou selon le pack d'impression utilisé.

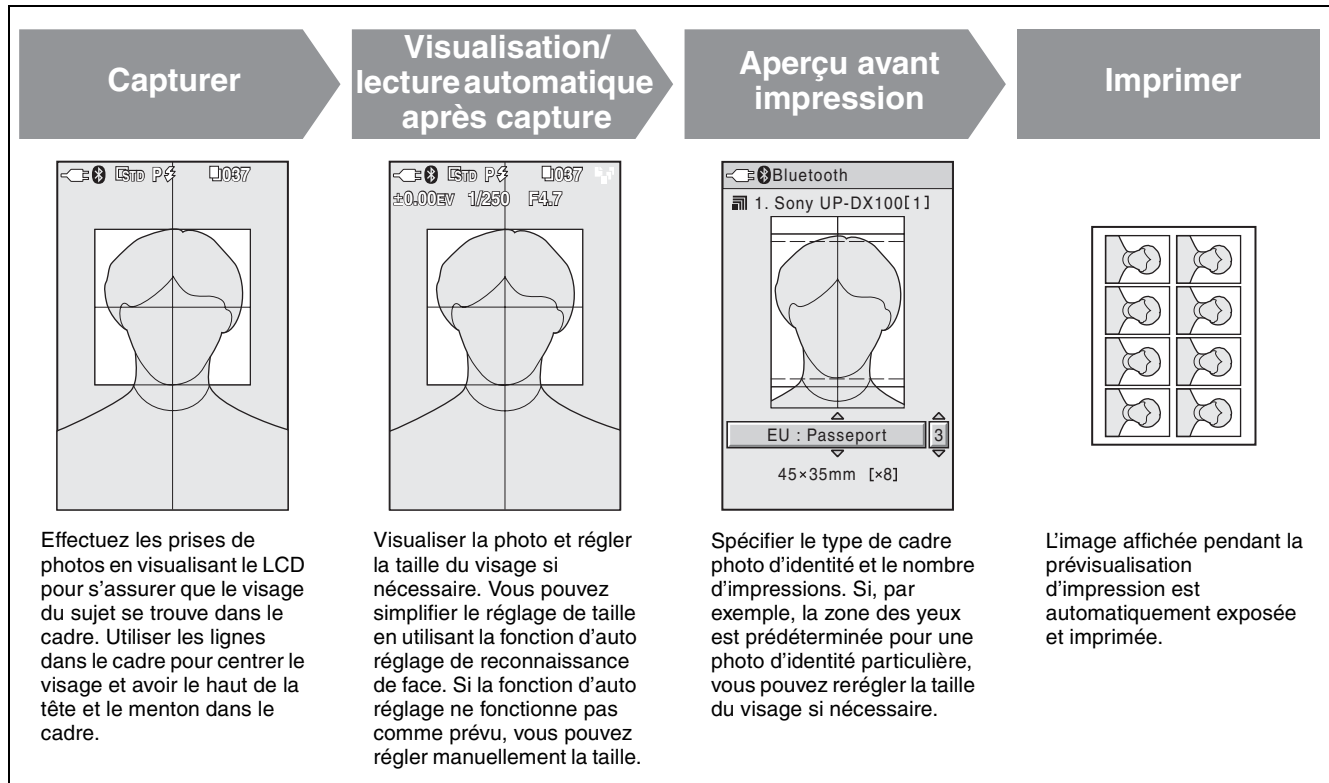


Remarque

Les données des images de l'appareil-photo ne peuvent être envoyées à aucun autre périphérique que l'imprimante.

Flux d'opération

Ce système vous permet de prendre et d'imprimer des photos d'identité dont la taille du visage peut être réglée pour correspondre à des normes de cadre spécifiques.



Caractéristiques utiles

Cadres supplémentaires

Si un cadre photo d'identité que vous souhaitez n'est pas fourni ou si tout simplement vous souhaitez modifier l'un des cadres des photos d'identité fournis, vous pouvez enregistrer jusqu'à cinq types de cadres supplémentaires.

Impression en découpe

Vous pouvez activer la fonction d'impression de découpe pour imprimer 3 mm supplémentaires autour de tous les côtés de l'image, créant ainsi des impressions avec découpe idéales.

File d'attente d'impression

En activant la fonction de file d'attente d'impression, vous pouvez sélectionner plusieurs photos et les imprimer à la file.

Réglages Couleur et Noir & blanc

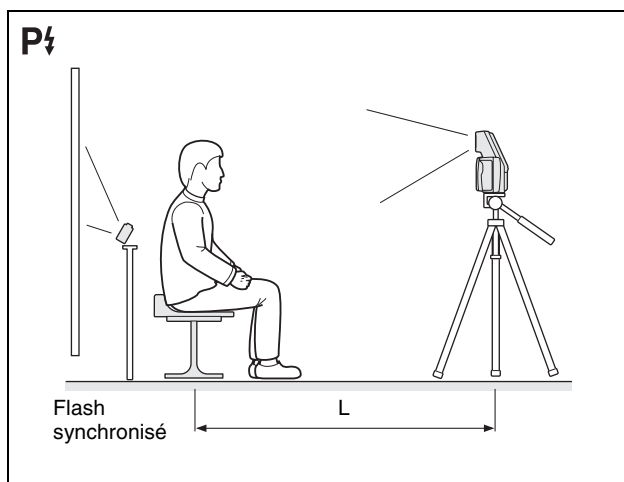
Ce système vous permet d'effectuer des réglages en couleur ou en noir & blanc à partir de l'appareil-photo. Vous pouvez rapidement confirmer les résultats de réglage à l'aide de la fonction guide d'impression.

Modes Flash et exemple de conditions de prise de vue

L'appareil-photo offre trois modes flash. Lors du réglage, vérifiez que la distance entre l'appareil-photo et le sujet (L) est réglée pour que le format apparent du visage corresponde au cadre sélectionné (lignes guides) à environ 1,8 mètre. Vous pouvez effectuer des petits réglages au format apparent du visage avec le zoom.

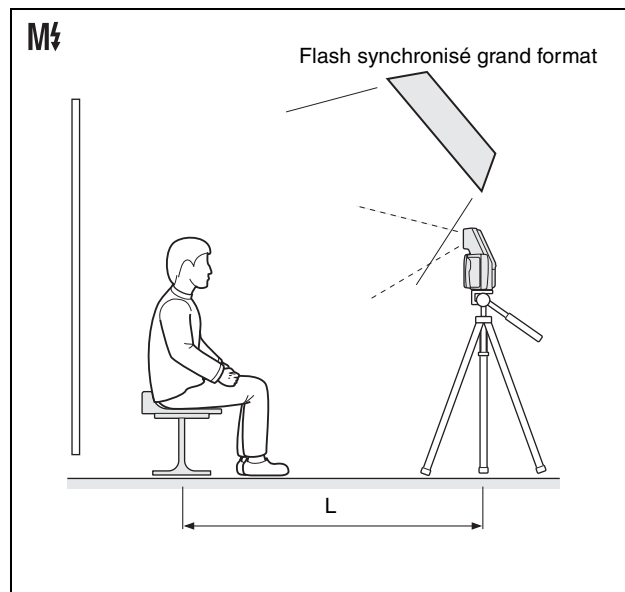
Auto Flash (P $\frac{1}{2}$)

Le flash intégré se déclenche avec la clarté optimale pour un sujet se trouvant à 1,8 mètre. Utilisez les touches de commandes ▲ et ▼ pour régler soit une valeur EV négative lorsque la distance L est inférieure à 1,8 mètre, soit une valeur EV positive lorsque la distance est supérieure à 1 mètre. Prenez une photo test pour vérifier les résultats. Ce mode est pratique pour les portraits d'identité en intérieur avec le flash intégré comme source principale de lumière et le flash de suppression des ombres raccordé à l'appareil-photo par un cordon de synchronisation.



Mode Flash forcé + exposition manuelle (M $\frac{1}{2}$)

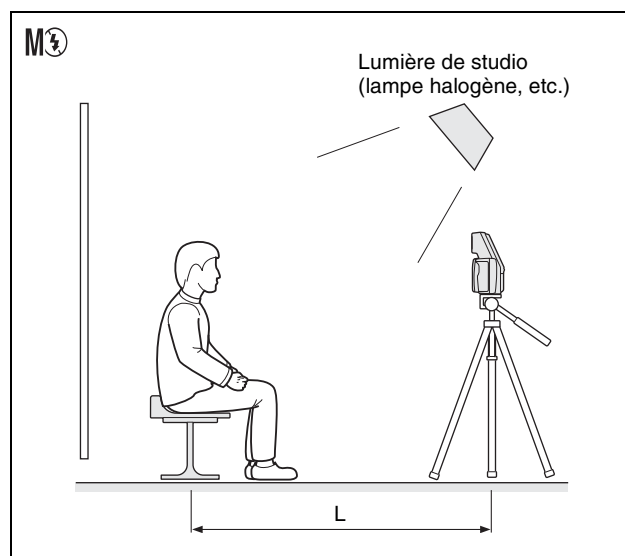
Vous pouvez régler manuellement l'ouverture, la vitesse d'obturation et sélectionner l'un des sept niveaux d'intensité de flash (\triangleleft 0,5EV) pour le flash intégré avant la prise de vue. Ce mode est pratique pour les portraits avec le flash intégré agissant comme déclencheur pour la source principale de lumière, un flash externe raccordé à l'appareil-photo par un cordon de synchronisation.



Mode sans flash + exposition manuelle (M $\frac{1}{3}$)

Dans ce mode d'exposition, l'ouverture et la vitesse d'obturation sont réglés manuellement et le flash intégré ne se déclenche pas.

Le flash intégré ne se déclenche pas. Ce mode est pratique pour les prises de vue en intérieur avec des sources de lumière stables tel que la lumière d'un studio, la lumière vidéo ou une lumière fluorescente.



Paramètres de réglages du mode Flash

Le mode flash est réglé par défaut sur Programme mais vous pouvez modifier le réglage à l'aide des menus si nécessaire. Les conditions de prise de vue disponibles pour la configuration diffèrent en fonction des réglages de mode flash tel qu'indiqué dans le tableau ci-dessous.

Flash Mode	Commande de Flash	Ouverture	Vitesse d'obturation	Balance des blancs	Correction d'exposition
Flash contrôlé sans préflash P ⚡	Programme avec Zoom et EV	Fixe (F4,7)	Fixe (1/250)	Programme	-2,0EV à 0EV à +2,0EV (par pas de 1/4EV)
Flash forcé sans préflash M ⚡	7 étapes (100/70/50/35/25/18/12%) Sans préflash	F4,7 (F4,7 ou F5,6)	1/250 (1/2 à 1/1000 [s])	Programme , 3000 à 7000K ou OnePush	-1,0EV à 0EV à +2,0EV (par pas de 1/4EV)
Exhibit Flash M Ⓜ	Pas d'éclairage	F4,7 (F4,7 ou F5,6)	1/250 (1/2 à 1/1000 [s])	Programme , 3000 à 7000K, OnePush	-1,0EV à 0EV à +2,0EV (par pas de 1/4EV)

_____ : Réglages par défaut

Effets de la valeur F lors de la prise de vue

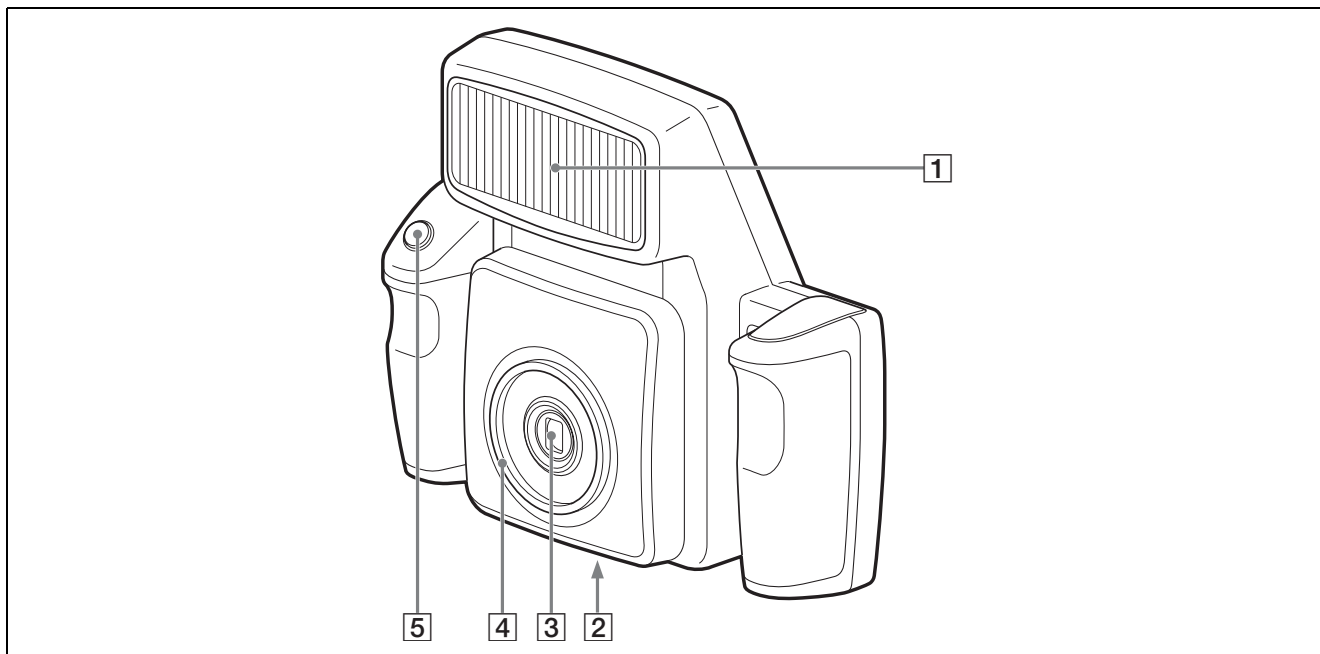
Même lorsque la valeur F est changée par les opérations de zoom, le niveau de l'intensité du flash et la sensibilité ISO sont automatiquement réglés avant la prise de vue pour s'assurer que la clarté d'une image capturée ne soit pas affectée.

Nomenclature

Pour les détails, reportez-vous aux pages entre parenthèses.

Appareil-photo

Panneau avant



1 Flash (76, 77)

Se déclenche en fonction du réglage du MODE FLASH.

2 Filetage pour trépied (85)

Utilisée pour fixer l'appareil-photo au trépied.

3 Objectif (f=12,5 à 25,0 mm (1/2 à 1"), valeur F (ouvert) : F-4,7 (Grand-angle) à F-5,5 (Télé))

Objectif autofocus avec zoom optique 2x.

4 Fil du filtre de l'objectif

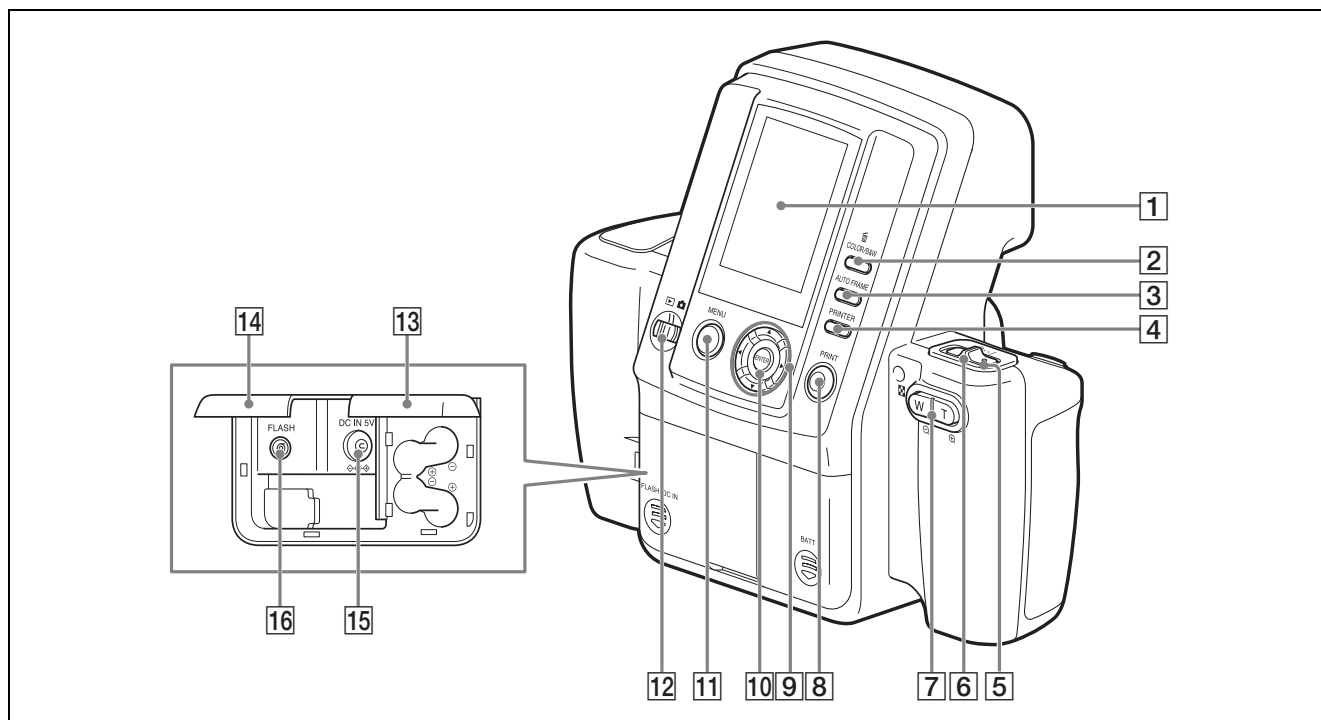
Utilisé pour fixer un filtre d'objectif vendu dans le commerce (ø 52 mm).

5 Déclencheur (90)


Appuyez sur le déclencheur pour capter une image affichée sur le LCD et l'enregistrer dans la mémoire interne de l'appareil-photo.

Appuyez à mi-course sur le déclencheur pour activer la fonction de mise au point automatique et complètement pour déclencher l'obturateur. L'image capturée est compressée et enregistrée sous format JPEG.

Panneau arrière



1 Ecran LCD

Utilisez-le pour afficher des images capturées par l'objectif, des images de lecture ou le menu d'affichage. Lorsque la fonction Bluetooth est active, l'icône  est affichée.

2 /Touche COLOR/B&W (Effacer/Couleur/Noir & blanc) (93, 95)

Effacer

Pendant le mode de visualisation automatique après capture ou lecture d'image, le fait d'appuyer sur cette touche efface l'image sur l'écran LCD.

Couleur/Noir & blanc

Lorsque l'écran d'aperçu d'impression est affiché, sélectionnez l'impression en couleur ou en noir & blanc en appuyant sur la touche.

3 Touche AUTO FRAME (correspondance automatique de position) (92, 93)

Lorsque l'écran REGLAGE est affiché, appuyez sur la touche pour déterminer automatiquement une taille de visage correspondant au cadre.

4 Touche PRINTER (128)

Permet de sélectionner une imprimante lorsque plusieurs imprimantes sont utilisées.

5 Témoin d'attente

Indique l'état de l'appareil-photo.

Lorsque le commutateur de mode est

Etat du témoin	Etat de l'appareil-photo
S'allume (orange)	Fonctionnement normal
Clignote (orange)	L'appareil-photo démarre ou l'authenticité Bluetooth est en cours. Sinon, le mode AUTO SUPPRESSION est OFF et la mémoire interne est pleine, donc aucune image supplémentaire ne peut être enregistrée.
Clignote rapidement (orange)	L'appareil-photo se prépare pour la prise de vue suivante, le flash est en cours de chargement ou les données sont en cours d'enregistrement.
Clignote (rouge)	Ceci indique que les piles sont faibles si elles sont utilisées.
Clignote rapidement (rouge)	L'appareil-photo s'éteint.
S'allume (rouge)	Ceci indique un problème de fonctionnement de l'appareil-photo. Contactez votre concessionnaire ou service après-vente Sony le plus proche.

Lorsque le commutateur de mode est

Etat du témoin	Etat de l'appareil-photo
S'allume (vert)	Fonctionnement normal
Clignote (vert)	L'appareil-photo démarre ou l'authenticité Bluetooth est en cours.
Clignote (rouge)	Ceci indique que les piles sont faibles si elles sont utilisées.
Clignote rapidement (rouge)	L'appareil-photo s'éteint.

Etat du témoin	Etat de l'appareil-photo
S'allume (rouge)	Ceci indique un problème de fonctionnement de l'appareil-photo. Contactez votre concessionnaire ou service après-vente Sony le plus proche.

6 Commutateur On/Attente (88, 89)

Met l'appareil-photo sous ou hors tension.

7 Levier de zoom (90, 92, 93)

Lorsque le commutateur de mode est réglé sur

Permet de régler l'angle de vue. Pour la plupart des documents d'identité, la taille du visage sur la photo est réglementée. En utilisant la fonction zoom, vous pouvez régler la taille du visage tout en maintenant une position fixe de l'appareil-photo. Vous pouvez avoir jusqu'à 2x le zoom.

T : Zoom au téléobjectif.

W : Zoom en grand-angle.

Lorsque le commutateur de mode est réglé sur

Pendant la lecture, permet de commuter entre l'écran multiple à neuf images et celui à une seule image.

T : Pendant la lecture, permet de commuter entre l'écran à neuf images et celui à une seule image.

W : L'affichage passe entre l'écran multiple à neuf images et celui à une seule image.


Lors de l'affichage de l'écran REGLAGE

Zoom avant ou arrière de l'image affichée.

T (⊕) : Zoom avant d'une image.

W (⊖) : Zoom arrière d'une image avec zoom avant.

8 Touche PRINT (92)

Lorsque le commutateur de mode est réglé sur  ou en cours d'affichage de la visualisation automatique après capture, appuyez sur cette touche pour imprimer l'image affichée sur le LCD. Appuyez une fois sur la touche pour faire apparaître l'écran de réglage et appuyez de nouveau pour envoyer à l'imprimante les données d'image à imprimer.

9 ◀ ▶ Touches de commande

Lorsque le commutateur de mode est réglé sur

Utilisez ▲ ou ▼ pour changer la valeur de correction d'exposition (valeur EV).

Lorsque le commutateur de mode est réglé sur

Utilisez ◀ ou ▶ pour sélectionner une image de lecture à afficher sur le LCD.

Lors de l'affichage de l'écran REGLAGE

Utilisez ces touches pour déplacer l'image affichée vers le haut, le bas, la gauche ou la droite.

Lors de la navigation dans les menus

Utilisez ces touches pour sélectionner et régler les articles de menu.

10 Touche ENTER

Appuyez sur cette touche pour confirmer une sélection ou une opération.

Pendant le mode de visualisation automatique après capture ou lecture d'image, appuyez sur cette touche pour afficher l'écran REGLAGE.

Lorsque l'écran REGLAGE est affiché, appuyez sur cette touche pour appliquer les réglages de taille d'image et revenir sur l'affichage de l'écran précédent.

11 Touche MENU (96, 98)


Appuyez sur cette touche pour afficher les menus. Vous pouvez aussi appuyer sur cette touche pour quitter des menus ou revenir sur l'écran de visualisation automatique après capture dans l'écran REGLAGE.

Remarque

Si vous utilisez la touche MENU pour quitter un menu ou revenir sur l'écran de visualisation automatique après capture dans l'écran REGLAGE, tous les réglages que vous avez effectués ne seront pas appliqués.

12 Commutateur de mode (88, 94)

Vous pouvez commuter entre les deux modes suivants.

 : Mode de prise de vue

 : Mode lecture

13 Couvercle du compartiment des piles (84)

Insérez quatre piles rechargeables disponibles dans le commerce Sony AA NiMH (nickel-métal hydride) (type NH-AA, max. 2700 mAh).

14 Couvercle du connecteur externe (83, 84)

Ouvrez-le pour se connecter à l'adaptateur d'alimentation AC ou au flash externe.

15 Prise DC IN (83)

Se connecte à l'adaptateur d'alimentation AC fourni.

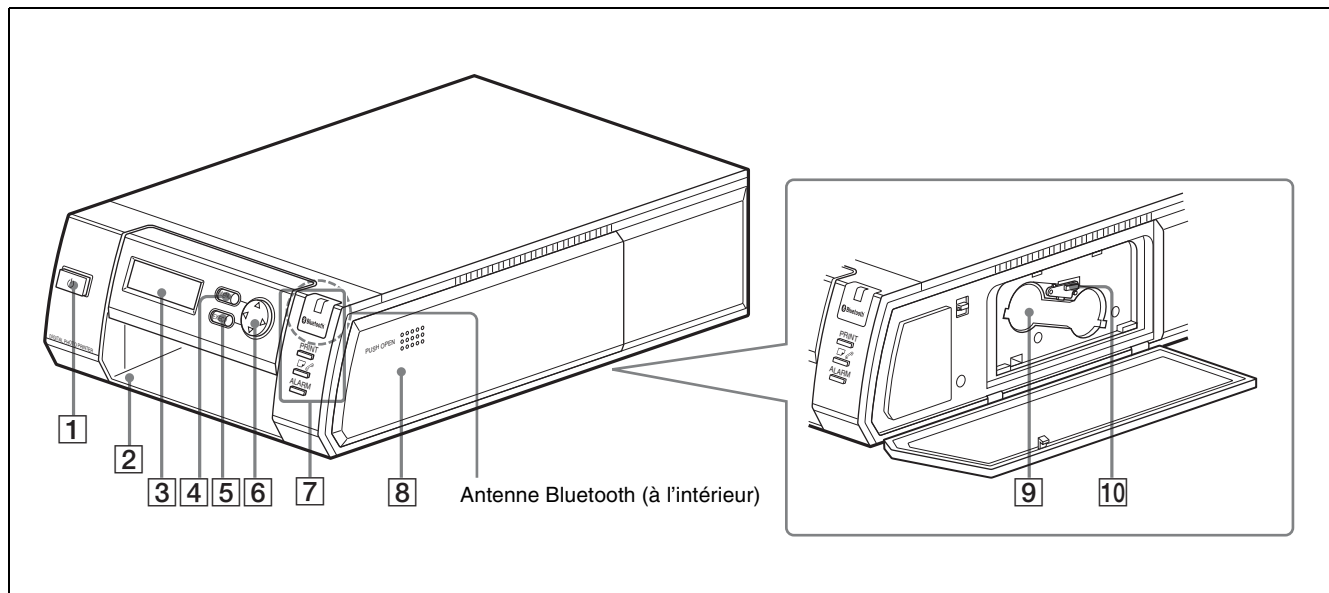
16 Borne FLASH

Connectez un cordon à partir d'un flash externe acceptant une connexion syn X.

Lorsqu'un flash externe acceptant une connexion sync X est connecté avec le cordon de synchronisation, le flash s'allume en se synchronisant avec l'obturateur.

Imprimante

Panneau avant



1 Touche/témoin (On/Attente) (88)

Lorsque vous appuyez sur cette touche, le témoin s'allume et l'alimentation est fournie à l'imprimante. Lorsque vous appuyez de nouveau sur la touche, le témoin s'éteint et l'imprimante se met en état de veille (attente).

2 Fente de bac à papier (86)

Insérez ici le bac à papier.

3 Afficheur

Lorsque l'imprimante est sous tension, des informations telles que l'état de fonctionnement et des articles de menu sont affichées ici.

4 Touche MENU (101)

Appuyez sur cette touche pour afficher les menus ou annuler les modifications qui y sont effectuées.

5 Touche EXEC (Exécuter) (94, 120)

Appuyez sur cette touche pour exécuter les articles de menu sélectionnés lors de la navigation dans les menus et après le remplacement de la cartouche ruban.

6 Touche de commande (94, 120)

Pour naviguer dans les menus, utiliser cette commande pour sélectionner et régler les articles de menu.

7 Témoins

Bluetooth® Témoin : S'allume lorsque la fonction Bluetooth est activée.

Témoin PRINT : S'allume lorsque l'impression est en cours et clignote lorsque l'imprimante reçoit les données d'image.

témoin : S'allume lorsqu'il n'y a plus de papier ou la cartouche d'impression est vide ou bien lorsque les deux diffèrent en format.

Témoin ALARM : S'allume lorsqu'une erreur tel qu'un bouchage de papier se produit.

8 Couvercle de la cartouche d'impression (87)

Pour insérer ou retirer les cartouches d'impression, appuyez sur la zone où est écrit PUSH OPEN pour ouvrir le couvercle.

9 Fente de cartouche d'impression (87)

Insérez ici la cartouche d'impression.

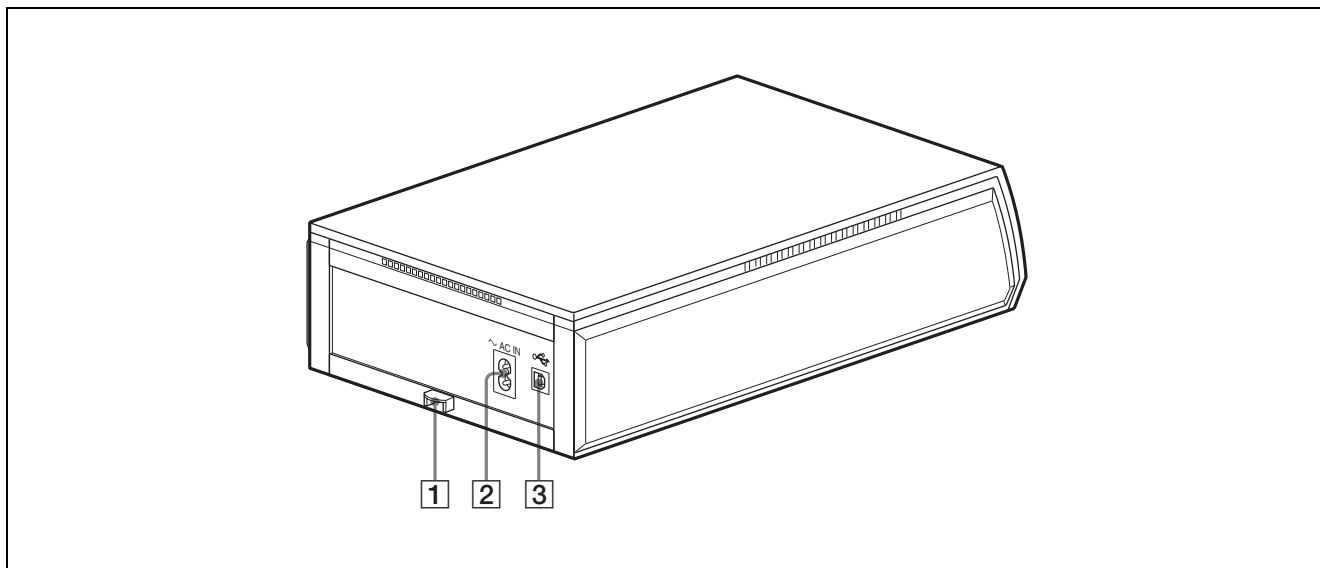
10 Levier de déverrouillage de la cartouche (87)

Soulevez ce levier pour retirer la cartouche d'impression.

Remarque

Ce levier est inactif lorsque l'impression est en cours.

Panneau arrière



1 Couvercle de bourrage papier (134)

En cas de bourrage papier, soulevez ce couvercle et retirez le papier coincé.

2 ~Connecteur AC IN (88)

Raccordez à une prise de courant à l'aide du cordon d'alimentation.

3 Connecteur USB

Non utilisé avec ce système.

Accessoires fournis

Vérification du contenu

Vérifiez que les accessoires suivants sont fournis avec votre système.

Bac à papier pour la série UPC-X46 (1)

Bac à papier pour la série UPC-X34 (1)

Couvercle du bac (1)

Adaptateur d'alimentation AC de UPA-AC05 (1)

Cassette de nettoyage (1)

Carte de garantie (1)

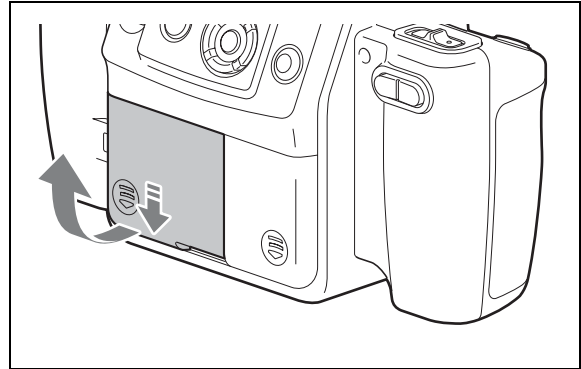
Mode d'emploi (1 exemplaire)

Guide de référence rapide (1)

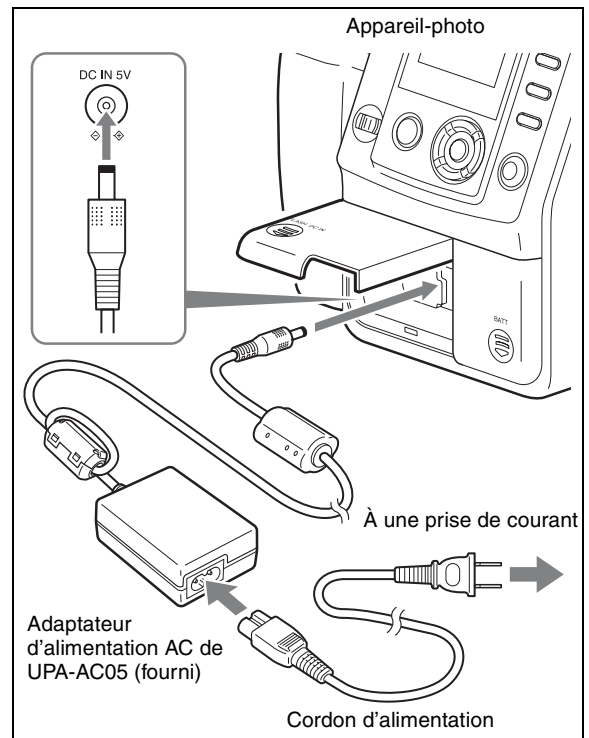
Préparatifs

Préparation de l'appareil-photo

- 1 Glissez pour ouvrir le couvercle du connecteur externe.



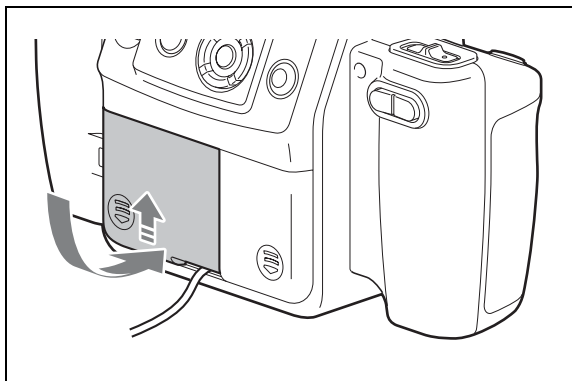
- 2 Raccordez l'adaptateur d'alimentation AC du UPA-AC05 fourni à la prise DC IN de l'appareil-photo, puis l'adaptateur AC à une prise de courant avec le cordon d'alimentation.



Remarque

Vérifiez que l'adaptateur d'alimentation AC est proche de la prise de courant pendant l'utilisation. Si l'appareil-photo tombe en panne, débranchez immédiatement l'adaptateur d'alimentation AC de la prise de courant pour couper la source d'alimentation électrique.

- 3** Fermez le couvercle du connecteur externe et appuyez dessus en le glissant pour s'assurer qu'il s'encliquette en place.



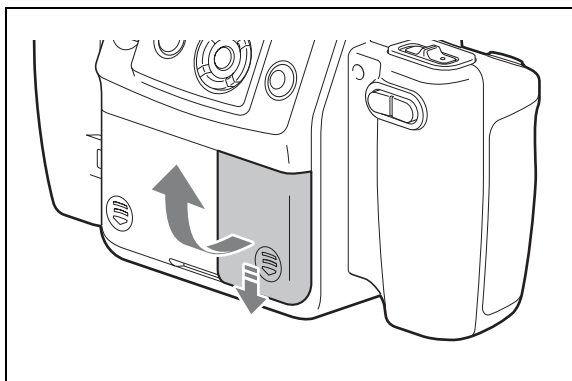
Lors de l'utilisation de piles

Pour l'appareil-photo avec ce système, vous pouvez utiliser quatre piles rechargeables AA Nickel Métal Hydrure disponibles dans le commerce. Effectuez les étapes suivantes pour insérer les piles dans l'appareil-photo.

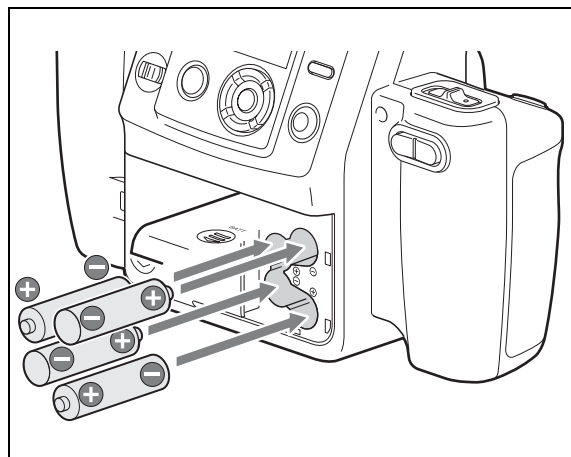
Remarque

Utilisez seulement des piles Sony NH-AA (max. 2700 mAh).

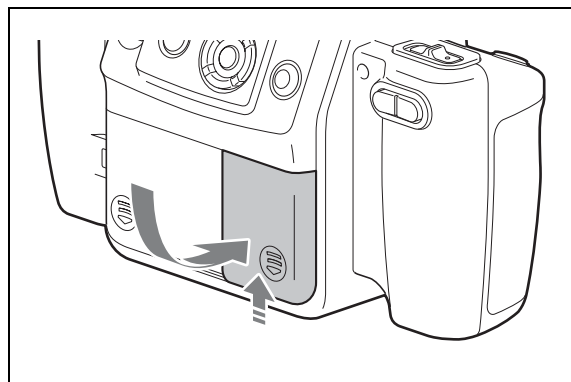
- 1** Glissez le couvercle du logement des piles à l'arrière de l'appareil-photo pour l'ouvrir.



- 2** Insérez les quatre piles format AA.

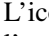


- 3** Fermez le couvercle et appuyez dessus en le glissant pour s'assurer qu'il s'encliquette en place.





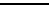

Indicateurs d'état d'alimentation

Lors de l'utilisation de source d'alimentation AC

L'icône  apparaît en bas à droite du LCD de l'appareil-photo.

Lors de l'utilisation de piles

Les icônes suivantes apparaissent en bas à droite du LCD de l'appareil-photo. Utilisez-les pour savoir quand il faut remplacer les piles.

Indicateur	Etat d'alimentation
	Les piles sont suffisamment chargées.
	La charge de la pile devient faible mais vous pouvez continuer les opérations d'appareil-photo. Préparez un set de piles neuves ou l'adaptateur d'alimentation AC.
	La charge de la pile est faible et l'opération va bientôt s'arrêter. Utilisez l'adaptateur d'alimentation AC ou remplacez les piles.
 (clignote)	Les piles sont complètement chargées. L'opération est arrêtée.

Remarques

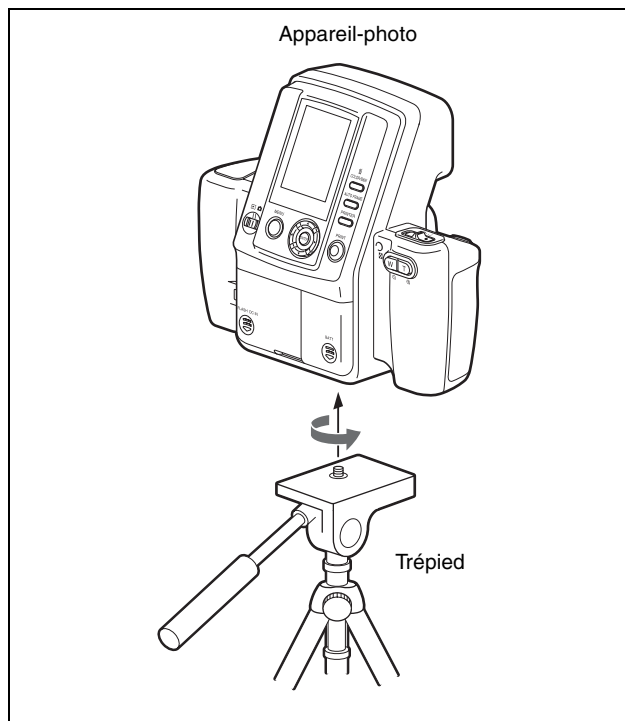
- Le fait de raccorder l'adaptateur AC alors que les piles sont dans l'appareil-photo ne permet de charger les piles. Pour recharger les piles, utilisez le chargeur de piles spécifiquement désigné.
- Les icônes de l'indicateur de pile sont optimisées pour les piles Sony Nickel Metal Hydride (typ. 2000 mAh / typ. 2500 mAh). Sachez que les piles risquent d'être déchargées sans indication lorsque d'autres types de piles sont utilisées.

Pour fixer le trépied

Vous pouvez fixer l'appareil-photo à un trépied à l'aide du filetage pour trépied situé en dessous de l'appareil-photo.

Remarque

Vissez fermement la vis du trépied. Si la vis est lâche, l'appareil photo risque de tomber. Par contre, s'il est serré avec trop de force, le filetage risque d'être endommagé. Vérifiez que la vis est insérée tout droit avant de la serrer.



Préparation de l'imprimante

Avant d'utiliser l'imprimante pour la première fois, effectuez les étapes suivantes pour insérer la cartouche d'impression et le bac à papier. Ces préparatifs ne sont pas nécessaires à chaque utilisation. Effectuez-les seulement lorsque c'est nécessaire.

Kits d'impression

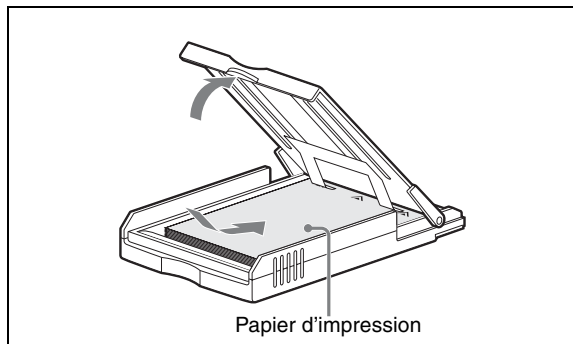
Pour pouvoir imprimer, il est nécessaire d'avoir un kit d'impression conçu pour cette imprimante (série UPC-X46 ou série UPC-X34) (non fourni). Un kit d'impression est un set composé de papier d'impression et de cartouche d'impression.

Remarques

- Ne rebobinez pas le ruban d'encre et n'utilisez pas la cartouche d'impression rebobinée pour l'impression. Ceci risque de donner des résultats d'impression incorrects ou d'endommager l'imprimante.
- N'utilisez que les kits d'impression conçus pour cet imprimante.
- Utilisez toujours des kits de cartouches d'impression et de papier d'impression dont les formats correspondent. L'utilisation d'une cartouche d'impression dont le format ne correspond pas au papier d'impression risque de produire des résultats d'impression incorrects ou des bourrages de papier et d'autres problèmes.
- N'imprimez pas sur du papier d'impression usagé. L'impression d'une image deux fois sur le même papier ne la rend pas plus foncée et risque d'endommager l'imprimante.
- Évitez de toucher la surface d'impression du papier ainsi que le ruban d'encre de la cartouche et évitez de ranger les kits d'impression dans des endroits soumis à des températures élevées, de l'humidité, beaucoup de poussière ou à la lumière directe du soleil. Les traces de doigts ou la poussière sur la surface d'impression risquent de baisser la qualité de l'impression.
- Si vous retirez les cartouches et le papier d'impression partiellement utilisés pour les ranger, remettez-les dans leur emballage d'origine.

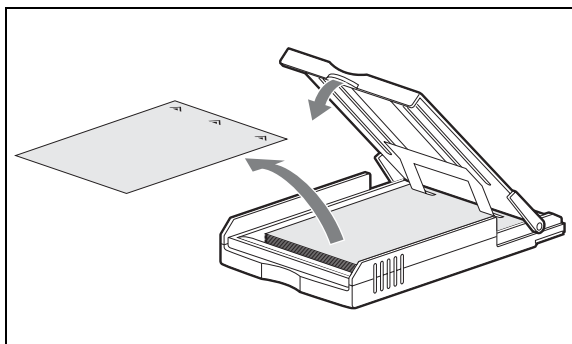
Pour charger le papier d'impression

- 1 Chargez le papier d'impression dans le bac à papier.



Eventez le papier avant de le charger avec la surface d'impression (côté sans marque) vers le haut. Vérifiez que la flèche sur la feuille protectrice pointe vers la même direction que celle sur le bac. Vous pouvez charger jusqu'à 25 feuilles en utilisant la série UPC-X46 et 30 feuilles avec la série UPC-X34.

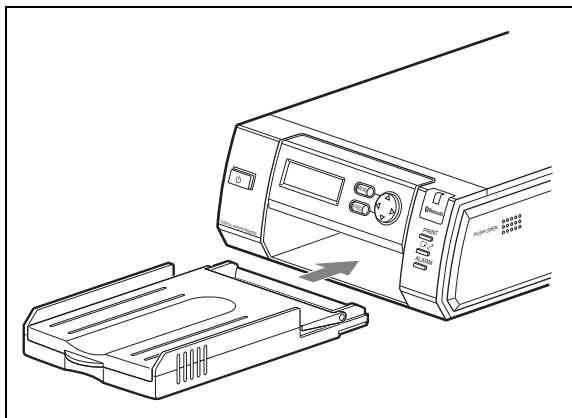
- 2 Retirez la feuille protectrice du papier d'impression.



Remarque

Gardez la feuille protectrice car elle sert pour le nettoyage de l'intérieur de l'imprimante.


- 3 Insérez le bac à papier dans l'imprimante jusqu'à ce qu'il encliquette en place.



Remarque

Ne touchez pas la surface d'impression. Les traces de doigts ou la poussière sur la surface d'impression risquent de baisser la qualité de l'impression.

Remarques sur le chargement du papier d'impression

- Chargez le papier d'impression de la série UPC-X46 dans le grand bac à papier et celui de la série UPC-X34 dans le petit. Si le format du papier ne correspond pas à celui du bac, il risque de se produire un bourrage papier.
- Ne retirez pas et n'insérez pas le bac à papier lorsque l'impression est en cours.
- Si le papier d'impression ne se charge pas automatiquement, le témoin  s'allume et un message s'affiche. Retirez le bac à papier et vérifiez s'il y a un bourrage papier.
- Pour charger plus de papier dans le bac, assurez-vous que le nombre total de feuilles ne dépasse pas les 25 pour la série UPC-X46 ou les 30 pour la série UPC-X34. Ne chargez pas différents types de papier en même temps dans le bac. Ceci risque de produire un bourrage papier.
- N'écrivez pas et n'imprimez pas de texte sur le papier avant l'impression. L'imprimante risque de ne pas pouvoir imprimer sur du papier déjà écrit dessus. Pour écrire sur une image après l'impression, utilisez un stylo à encre à base d'huile. Un texte provenant d'un traitement de texte ne peut pas être imprimé sur la surface d'impression.
- Ne collez pas de stickers ni d'autocollants sur le papier avant l'impression.
- N'imprimez pas sur du papier d'impression usagé. L'impression d'une image deux fois sur le même papier ne la rend pas plus foncée et risque d'endommager l'imprimante.
- Ne pliez pas le papier avant l'impression. Ceci risque d'endommager l'imprimante.
- Lorsque le papier est éjecté après l'impression, ne laissez pas plus de cinq feuilles s'accumuler dans le bac à papier. Ceci risque de produire un bourrage papier.

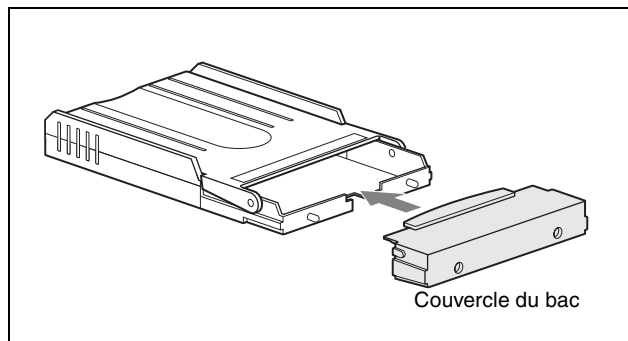
Remarques sur le rangement

- Évitez le rangement dans des endroits soumis à des températures élevées, de l'humidité, beaucoup de poussière ou à la lumière directe du soleil.
- Ne rangez pas les feuilles de papier avec leurs surfaces d'impression l'une contre l'autre. De même, ne laissez pas les surfaces d'impression en contact pendant longtemps avec des matériaux en plastique ou en caoutchouc contenant du chlorure de vinyle ou des plastifiants. Ceci risque de produire une décoloration ou un blanchiment.

- Si vous retirez du papier d'impression non utilisé pour le ranger, remettez-le dans son emballage d'origine.

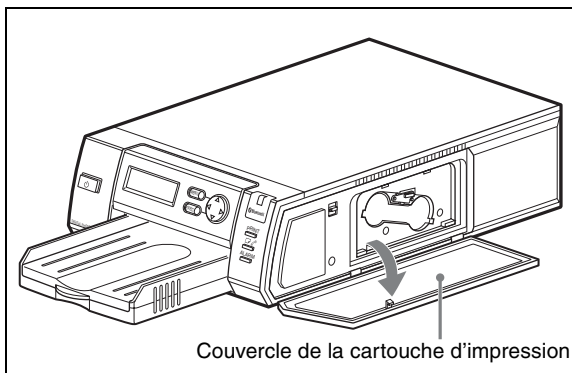
Pour fixer le couvercle du bac

Gardez le couvercle du bac fourni sur le bac à papier lorsqu'il n'est pas utilisé pour protéger le papier de toute particule de poussière ou autre. Vous pouvez fixer un couvercle à n'importe quel bac à papier des séries UPC-X46 et UPC-X34.

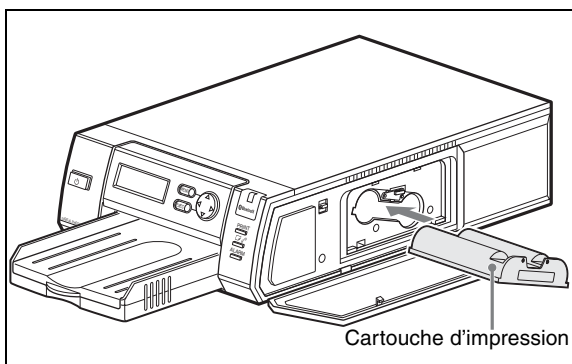


Pour charger la cartouche d'impression

- 1 Appuyez sur la partie supérieure du couvercle de la cartouche d'impression où est écrit PUSH OPEN pour l'ouvrir.




- 2 Insérez la cartouche d'impression dans son logement et poussez-la jusqu'à ce qu'elle encliquette en place.



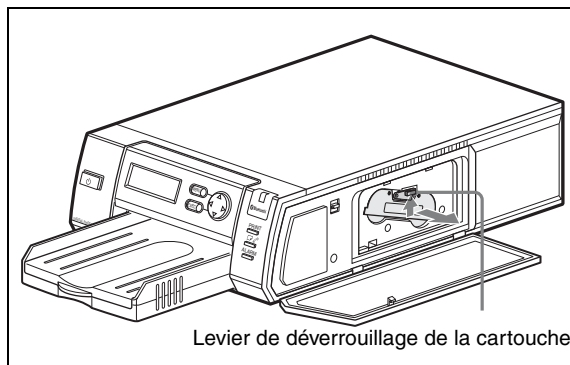
- 3 Fermez le couvercle de la cartouche d'impression.

- 4 Appuyez sur la touche EXEC.

Pour remplacer la cartouche d'impression

Lorsque la cartouche d'impression est vide, le témoin  s'allume et un message d'erreur apparaît sur l'afficheur. Effectuez les étapes suivantes pour remplacer la cartouche d'impression.

- 1 Appuyez sur la partie supérieure du couvercle de la cartouche d'impression où est écrit PUSH OPEN pour l'ouvrir.
- 2 Soulevez le levier de déverrouillage de la cartouche.

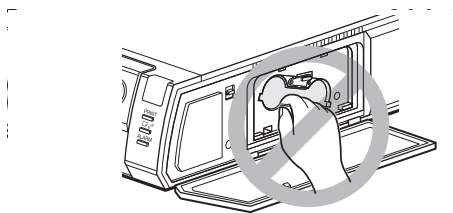


La cartouche est libérée, vous permettant de la retirer.

- 3 Insérez une nouvelle cartouche d'impression et fermez le couvercle.
- 4 Appuyez sur la touche EXEC.

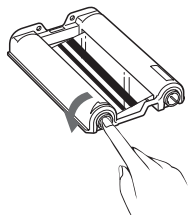
Remarques

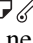
- Ne mettez jamais votre main à l'intérieur du logement de la cartouche qui risque d'atteindre des températures élevées.



- Ne rebobinez pas le ruban d'encre et n'utilisez pas la cartouche d'impression rebobinée pour l'impression. Ceci risque de donner des résultats d'impression incorrects ou d'endommager l'imprimante.

- Si la cartouche d'impression n'est pas correctement insérée, retirez-la et recommencez. Si le ruban d'encre est trop lâche pour être chargé, retirez le jeu en tournant le ruban dans le sens de la flèche tout en appuyant sur la bobine. C'est l'unique fois où le ruban d'encre doit être rembobiné.



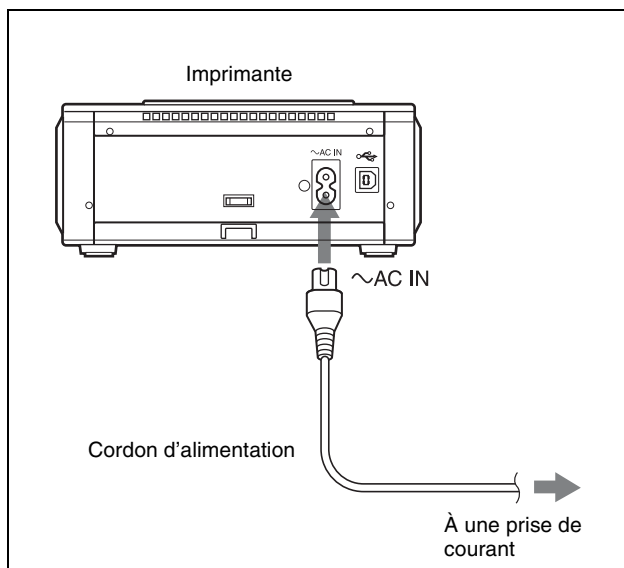
- Si vous mettez l'imprimante sous tension sans cartouche à l'intérieur, le témoin  s'allume.
- Ne touchez pas le ruban d'encre et ne placez pas la cartouche d'impression dans un endroit poussiéreux. Les traces de doigts ou la poussière sur le ruban d'encre risquent de baisser la qualité de l'impression.
- Ne retirez pas et n'insérez pas de cartouche d'impression lorsque l'impression est en cours.

Remarques sur le rangement

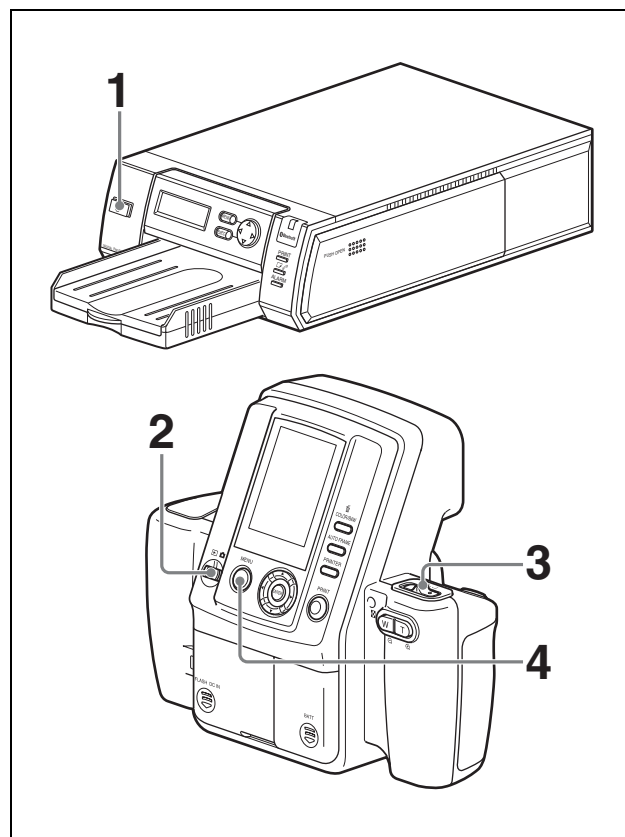
- Evitez le rangement dans des endroits soumis à des températures élevées, de l'humidité, beaucoup de poussière ou à la lumière directe du soleil.
- Si vous retirez une cartouche d'impression partiellement utilisée pour la ranger, remettez-la dans son emballage d'origine.

Pour raccorder l'imprimante à une prise de courant

Raccordez l'imprimante à une prise de courant à l'aide du cordon d'alimentation.




Mise sous tension



- 1 Mettre l'imprimante sous tension.

Vérifiez que Ready BT RSSI [- - -] apparaît sur l'afficheur.

- 2 Réglez le commutateur de mode de l'appareil-photo sur .

- 3 Réglez le commutateur on/attente de l'appareil-photo sur **I** (on).

Lorsque l'appareil-photo est allumé pour la première fois, l'écran de réglage par défaut apparaît.

Pour les détails sur les réglages par défaut, reportez-vous à « A la première mise sous tension de l'appareil-photo (réglage par défaut) » en page 89.

L'appareil-photo démarre la recherche de l'imprimante et « Découverte périph » apparaît sur le LCD. Lorsque l'appareil-photo trouve l'imprimante « Périph découvert » apparaît et le nom de l'imprimante ainsi que l'adresse Bluetooth s'affichent en noir sur le LCD. Si la couleur du nom de l'imprimante et de l'adresse Bluetooth ne change pas en noir et reste en gris, mettez

l'imprimante ainsi que l'appareil-photo en mode d'attente et effectuez les étapes **1** à **3** de nouveau.

- Appuyez sur n'importe quelle touche de l'appareil-photo.

L'affichage Bluetooth est mis hors tension et vous pouvez commencer la prise de vue.

Si le nom de l'imprimante et l'adresse Bluetooth sont encore affichés en gris et que « Périph découvert » n'apparaît pas ou le message « Pas d'imprimante » s'affiche, reportez-vous à « Ajout/Enregistrement d'une imprimante » en page 126 et effectuez l'action adéquate. Si le problème persiste, contactez votre concessionnaire ou le service après-vente Sony le plus proche.


A la première mise sous tension de l'appareil-photo (réglage par défaut)

Lorsque l'appareil-photo est allumé pour la première fois, l'écran de réglage par défaut apparaît avant que l'appareil-photo se connecte à l'imprimante via Bluetooth. Effectuez les étapes suivantes pour sélectionner une langue ou une région.

- Appuyez sur la touche de commande ▲ ou ▼ pour sélectionner une langue, puis appuyez sur la touche ENTER.
L'écran REGION apparaît.
- Appuyez sur la touche de commande ▲ ou ▼ pour sélectionner une région, puis appuyez sur la touche ENTER.
Un écran apparaît pour vous permettre de confirmer la langue et la région sélectionnées.
- Appuyez sur la touche de commande ▲ ou ▼ pour sélectionner OK, puis appuyez sur la touche ENTER.

Pour régler l'imprimante et l'appareil-photo sur le mode d'attente

Lorsque vous terminez votre opération, réglez l'imprimante et l'appareil-photo sur le mode d'attente.

- Appuyez sur la touche On/Attente pour régler l'imprimante sur le mode d'attente. Le témoin s'éteint et l'imprimante est réglée sur le mode d'attente.
- Réglez le commutateur On/Attente de l'appareil-photo sur  (attente).

L'appareil-photo enregistre les dernières données de réglage en mémoire et entre en mode d'attente. Pendant la mise hors tension de l'appareil-photo, l'horloge s'affiche sur le LCD et le témoin d'attente s'allume. Lors du transfert des données pour l'enregistrement, ne débranchez pas l'adaptateur d'alimentation AC et ne retirez pas les piles.

Remarque

Si vous coupez l'alimentation électrique en débranchant l'adaptateur AC ou en retirant les piles alors que l'appareil-photo transmet les données de réglage à la mémoire, tout nouveau réglage sera perdu et l'appareil-photo revient aux réglages précédents.

Opérations (Prise de vue et impression)

Réglages de la résolution d'image

Si vous voulez donner la priorité à la qualité d'image, nous vous recommandons de régler à l'avance RESOLUTION sur HIGH.

Pour les détails sur la sélection d'une résolution d'image, reportez-vous à « Réglage de la résolution d'image » en page 102.

Réglages des conditions de prise de vue

Les réglages des conditions de prise de vue de l'appareil-photo sont pré-réglés en usine pour vous permettre d'effectuer des prises de vue sans configuration manuelle, mais vous pouvez si nécessaire modifier ces conditions de prise de vue en utilisant le menu de prise de vue.

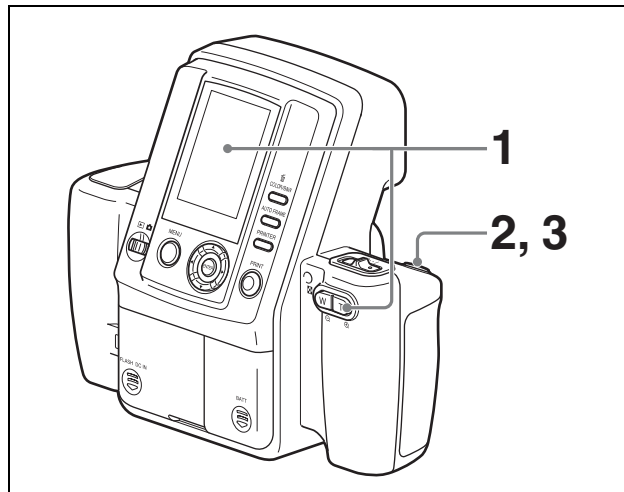
Nous vous recommandons de configurer les réglages pour correspondre à votre environnement d'utilisation.

Pour les détails sur les conditions de prise de vue, reportez-vous à « Paramètres de réglages du mode Flash » en page 77.

Remarque

Les images risquent d'être endommagées et l'appareil-photo peut ne pas fonctionner correctement s'il est éteint en cours de prise de vue ou de suppression de photos. Vérifiez que l'adaptateur d'alimentation AC ne se débranche pas et que le couvercle du logement à piles ne s'ouvre pas pendant la prise de vue.

Prise de vue



- 1** Pointez l'appareil-photo sur le sujet et réglez le cadre en utilisant l'écran LCD. Appuyez sur le levier de zoom pour pouvoir régler le cadre en zoom.
T: Zoom au téléobjectif.
W: Zoom en grand-angle.
Pour composer la photo, assurez-vous que le visage du sujet se trouve dans le cadre du LCD. Elargissez le visage autant que possible tout en gardant tout le visage à l'intérieur du cadre.
- 2** Appuyez à mi-course sur le déclencheur pour faire la mise au point.
Une fois le sujet mis au point, un repère vert de mise au point apparaît sur le LCD.
Si le repère de mise au point devient rouge lorsque vous appuyez à mi-course sur le déclencheur, la photo n'est pas mise au point. Appuyez de nouveau doucement à mi-course sur le déclencheur.
- 3** Appuyez à mi-course sur le déclencheur jusqu'à ce que le repère de mise au point devient vert, puis continuez d'appuyer complètement.
La photo est prise et apparaît immédiatement sur le LCD. Cette fonction est connue sous le nom de visualisation automatique après capture. La photo est simultanément enregistrée dans la mémoire interne de l'appareil-photo. Pendant le transfert des données à la mémoire, le témoin d'attente clignote rapidement en orange. Une fois les données enregistrées et le flash intégré chargé pour la photo suivante, le témoin d'attente s'allume en orange.


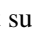
Les photos peuvent être imprimées directement à partir de l'écran de visualisation automatique après capture sans changer le réglage du commutateur de mode.

Pour les détails, reportez-vous à « Impression de la dernière prise de vue (à partir de l'écran de visualisation automatique après capture) » en page 92.


Pour la prise de vue suivante, appuyez sur le déclencheur ou le levier de zoom pour éteindre l'écran de visualisation automatique, puis répétez les étapes 2 et 3.

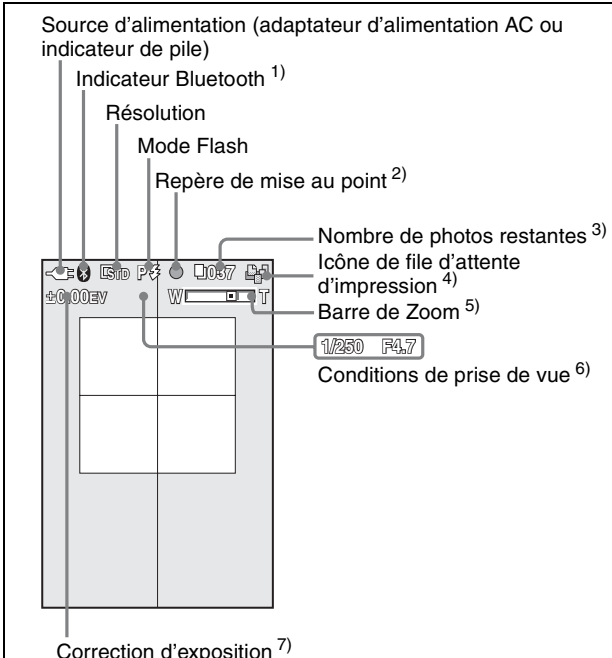
Pour effacer la dernière photo prise

Effectuez les étapes suivantes pour effacer la dernière photo prise au moment où elle apparaît sur l'écran de visualisation automatique.

- 1 Appuyez sur la touche .
Un écran demandant de confirmer l'effacement apparaît.
- 2 Sélectionnez OK en appuyant sur la touche de commande , puis appuyez sur la touche ENTER.
La photo affichée sur le LCD est supprimée et l'appareil-photo revient en mode de prise de vue.

Le LCD en mode de prise de vue

Ci-après un exemple d'affichage du LCD lorsque le commutateur de mode est réglé sur .



Source d'alimentation (adaptateur d'alimentation AC ou indicateur de pile)

Indicateur Bluetooth ¹⁾

Résolution

Mode Flash

Repère de mise au point ²⁾

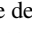

Nombre de photos restantes ³⁾

Icône de file d'attente d'impression ⁴⁾

Barre de Zoom ⁵⁾

Conditions de prise de vue ⁶⁾

Correction d'exposition ⁷⁾

- 1) Apparaît lorsque le module Bluetooth est réglé sur ON.
- 2) Apparaît seulement lorsque le déclencheur est appuyé à mi-course.
- 3) Estimation du nombre de prises de vue avec la résolution réglée.
- 4) Apparaît lorsque la fonction de file d'attente d'impression est activée.
- 5) Apparaît lorsque le levier de zoom est appuyé.
- 6) Les réglages pour l'ouverture et la vitesse de l'obturateur apparaissent lorsque le déclencheur est appuyé.
- 7) Apparaît seulement lorsque la touche de commande  ou  est utilisée pour changer la valeur de correction d'exposition ou lorsque le déclencheur est appuyé.

Remarque

Pour déterminer facilement le cadre du sujet, l'appareil-photo garde la clarté du LCD à un certain niveau, sans tenir compte de l'exposition, de la clarté du sujet ou des conditions d'éclairage des zones alentours. Pour cette raison, la clarté du LCD est différente de la clarté de l'image capturée.

Fonction de mise au point automatique

Appuyez à mi-course sur le déclencheur pour activer la fonction de mise au point automatique. Une fois le sujet mis au point, un repère vert de mise au point apparaît en haut du LCD. Appuyez complètement sur le déclencheur pour déclencher l'obturateur et prendre la photo.

Si le sujet n'est pas mis au point lorsque vous appuyez à mi-course sur le déclencheur, un repère de mise au point rouge apparaît sur le LCD. Soulevez le doigt du déclencheur et appuyez de nouveau doucement à mi-course. Même si le repère de mise au point rouge apparaît, vous pouvez appuyez complètement pour prendre la photo.

Si vous appuyez complètement sur le déclencheur sans faire de pause à mi-course, la photo est prise mais les fonctions de mise au point automatique et de correction d'exposition ne seront pas activées.

Si SON du menu REGLAGE est réglé sur OBTURATEUR ou ON, un son se fait entendre lorsque le déclencheur est appuyé à mi-course, puis complètement.

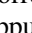
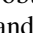
Remarque

Si le fait d'appuyer doucement à mi-course sur le déclencheur ne refait pas la mise au point de l'image, mettez l'appareil-photo sur le mode d'attente, puis de nouveau sous tension.

De plus, la fonction de mise au point risque de ne pas fonctionner correctement dans les situations suivantes :

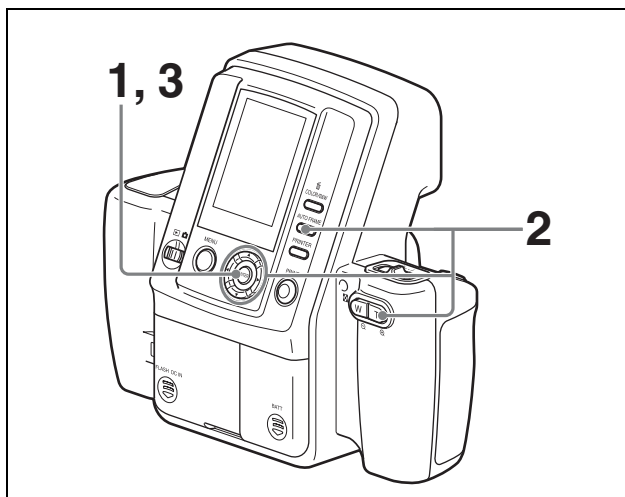
- Il n'y a pas assez de contraste pour le sujet.
- Le sujet comprend un objet extrêmement clair.
- L'arrière-plan est anormalement sombre.
- Le sujet se trouve à 80 cm de l'appareil-photo.

Valeur de correction d'exposition

La correction d'exposition peut facilement être obtenue en appuyant sur  ou  de la touche de commande. Chaque fois que la touche est appuyée, la valeur de correction d'exposition affichée sur le LCD change.

Pour les détails sur la correction d'exposition, reportez-vous à « Correction de l'exposition » en page 105.

Impression de la dernière prise de vue (à partir de l'écran de visualisation automatique après capture)



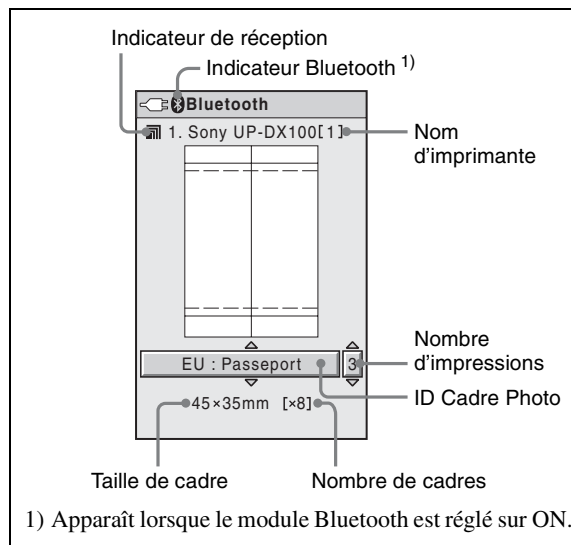
- 1** Pendant l'affichage de la visualisation automatique après capture, appuyez sur la touche ENTER. L'écran REGLAGE apparaît et un cadre s'affiche en rouge sur le LCD.
- 2** Réglez la taille de l'image.
 - 1)** Appuyez sur la touche AUTO FRAME. L'image est automatiquement réglée pour que la taille du visage corresponde au cadre.
 - 2)** Si nécessaire, utilisez les touches suivantes pour régler la taille de l'image.
 - Vous pouvez utiliser le levier de zoom pour effectuer un zoom dans l'image ou un zoom arrière de cette image.
 - Vous pouvez appuyer sur la touche de commande ▲, ▼, ◀ ou ▶ pour déplacer la position de l'affichage de l'image.

Remarque

Si vous appuyez sur la touche AUTO FRAME pour une image sans arrière-plan uniforme, la fonction de réglage automatique risque de ne pas fonctionner correctement. Dans ce cas, appuyez sur les touches de zoom ou sur la touche de commande ▲, ▼, ◀ ou ▶ pour régler manuellement la taille et la position d'affichage.

De plus, la fonction de réglage automatique risque de ne pas fonctionner correctement si le visage est trop large ou trop petit pour le cadre sur le LCD.

- 3** Appuyez sur la touche ENTER. Le LCD revient sur l'affichage de visualisation automatique après capture. Les réglages sont appliqués et l'appareil-photo revient sur l'affichage de visualisation automatique après capture. Si vous appuyez sur la touche MENU, l'appareil-photo revient sur l'affichage de visualisation automatique après capture sans appliquer les réglages.
- 4** Appuyez sur la touche PRINT. L'écran d'aperçu avant impression apparaît. Vous pouvez revenir sur l'écran de visualisation automatique après capture (ou mode de lecture) en appuyant sur la touche MENU.



Vous pouvez utiliser l'indicateur de réception dans la partie en haut à gauche de l'écran pour vérifier l'état de réception.

- ■ ■ : La réception est bonne.
 - ■ : La réception est faible et il se peut que l'envoi des images prenne plus de temps.
- Ne pas déplacer l'appareil-photo et l'imprimante jusqu'à la fin de la transmission de données.

- 5** Appuyez sur la touche de commande ▲ or ▼ pour sélectionner le cadre photo d'identité. Appuyez répétitivement sur la touche ▲ ou ▼ jusqu'à faire apparaître le cadre photo d'identité souhaité.

Pour les détails, reportez-vous à « Réglage d'un cadre à afficher lors de l'impression » en page 107.
- 6** Spécifiez le nombre de copies à imprimer.
 - 1)** Appuyez une fois sur la touche de commande ▶. Vous pouvez maintenant sélectionner le nombre de copies à imprimer.

- 2) Appuyez sur la touche de commande ▲ ou ▼ pour sélectionner le nombre de copies à imprimer.
- 7** Appuyez sur la touche COLOR/B&W pour sélectionner l'impression en couleur ou en noir & blanc.
- 8** Si nécessaire, réglez la taille de l'image pour correspondre au cadre photo d'identité sélectionné.
- 1) Appuyez sur la touche ENTER. L'écran REGLAGE apparaît.
 - 2) Appuyez sur la touche AUTO FRAME. L'image est automatiquement réglée pour que la taille du visage du sujet corresponde au cadre dans l'écran.
 - 3) Si nécessaire, utilisez les touches suivantes pour régler la taille de l'image.
 - Vous pouvez appuyer sur le levier de zoom pour agrandir ou réduire l'image.
 - Vous pouvez appuyer sur les touches de commande (▲▼◀▶) pour déplacer la partie affichée de l'image.
 - 4) Appuyez sur la touche ENTER pour revenir sur l'écran d'aperçu avant impression.
- 9** Appuyez de nouveau sur la touche PRINT.

Les données d'image sont transmises à l'imprimante et « Transmission en cours » apparaît sur le LCD.


Lorsque la touche CANCEL s'allume en orange, vous pouvez annuler la transmission de données en appuyant sur la touche ENTER.

A la fin de la transmission de données, la touche CANCEL devient grise. L'imprimante vérifie le pack d'impression et commence à imprimer.

Remarques


- Lorsque la touche CANCEL devient grise, il n'est plus possible d'annuler l'opération d'impression.
- Ne touchez aucune autre touche de l'appareil-photo lorsque la touche CANCEL est grise.

Lorsque l'impression commence, « FIN TRANSMISSION. APPUYER TOUCHE MENU POUR CONTINUER. » apparaît sur le LCD de l'appareil-photo. Appuyez sur la touche MENU pour supprimer le message.

Lorsque le commutateur de mode est réglé sur , le LCD revient sur l'écran de visualisation automatique après capture. Une fois l'impression terminée, vous

pouvez imprimer de nouveau la même photo avec un format différent, en couleur, etc.

Vous pouvez aussi effectuer une autre prise de vue pendant l'impression. Pour la prise de vue suivante, appuyez sur le déclencheur à mi-course ou sur le levier de zoom pour éteindre l'écran de visualisation automatique.

Lorsque le commutateur de mode est réglé sur , le LCD revient sur la lecture d'image.

Lorsqu'une photo est imprimée, elle est éjectée dans le plateau à papier de l'imprimante.

Un numéro d'image est imprimé en bas de l'image.

C'est le même numéro qui apparaît en haut du LCD lors de la lecture de l'image.

Remarque

Ne laissez pas les feuilles imprimées s'accumuler sur le plateau à papier. Retirez les feuilles éjectées chaque fois que cinq feuilles s'accumulent dessus.

Pour régler la qualité d'impression

Sur l'appareil-photo, vous pouvez indépendamment régler la qualité d'impression pour les photos en couleur ou en noir & blanc et enregistrer les valeurs réglées. Une fois ces valeurs enregistrées, l'appareil-photo sélectionne automatiquement la valeur réglée appropriée pour les impressions en couleurs et celles en noir & blanc respectivement.

Pour les détails sur le réglage de la qualité d'impression, reportez-vous à « Réglage de la qualité d'image » en page 114.

Pour régler la qualité d'impression noir & blanc

Lorsque vous imprimez une photo en noir & blanc en sélectionnant N&B, la photo est imprimée en superposant le jaune, le magenta et le cyan et peut ne pas être parfaitement achromatique. Pour régler la tonalité du noir, vous pouvez utiliser la fonction de réglage de la qualité d'impression de l'imprimante.

Impression d'une photo enregistrée dans la mémoire interne de l'appareil-photo

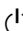
Lorsqu'une photo est prise, ses données sont enregistrées dans la mémoire interne de l'appareil-photo. Pour imprimer les photos enregistrées, visualisez-les en mode Lecture et sélectionnez la photo que vous voulez imprimer. Effectuez, ensuite, les mêmes étapes que celles de l'impression d'une photo à partir de l'écran de visualisation automatique après capture (en page 92).

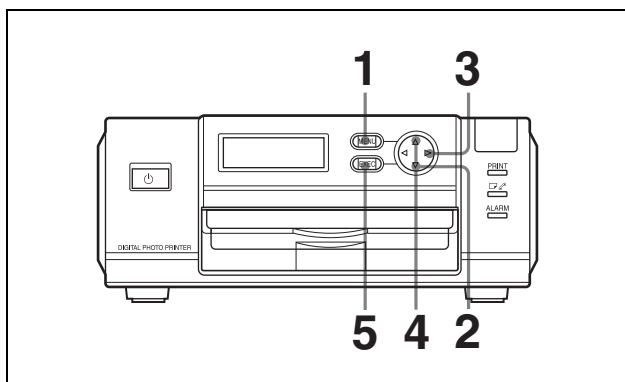
Pour les détails sur la visualisation de photos enregistrées dans la mémoire, reportez-vous à « Visualisation d'une photo sur le LCD » en page 94.

Réimpression d'une photo enregistrée dans la mémoire de l'imprimante (COPY PRINT)

Les données de la dernière photo imprimée sont enregistrées dans la mémoire de l'imprimante. Vous pouvez imprimer de nouveau la photo.

Remarque

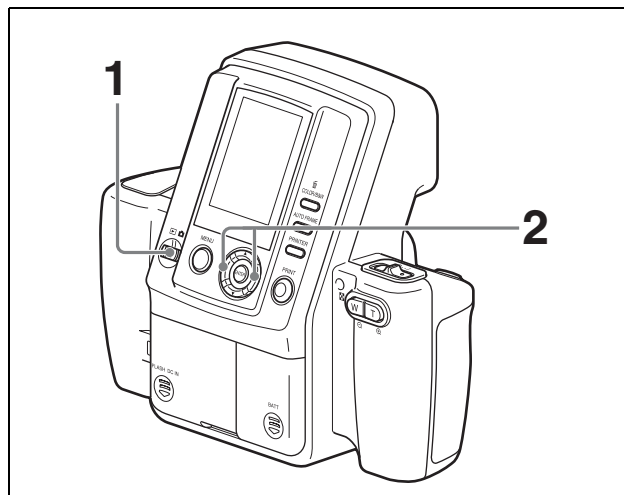
Si vous appuyez sur la touche  de l'imprimante et la réglez sur le mode d'attente (le témoin s'éteint), les données enregistrées dans la mémoire de l'imprimante sont supprimées et vous ne pourrez pas imprimer de nouveau la photo.




- 1 Appuyez sur la touche MENU.
- 2 Appuyez sur la touche de commande ▼ pour afficher « COPY PRINT [>>] ».
- 3 Appuyez sur la touche de commande ►.
« COPY PRINT: 1 [1 – 9 PRINT: EXEC] » apparaît.


- 4 Réglez le nombre de feuilles à imprimer en appuyant sur la touche de commande ▲ ou ▼.
Vous pouvez régler une valeur de 1 à 9.
- 5 Appuyez sur la touche EXEC.
Le nombre de photos réglé à l'étape 4 est imprimé.
Lorsque l'impression se termine, l'écran READY réapparaît.

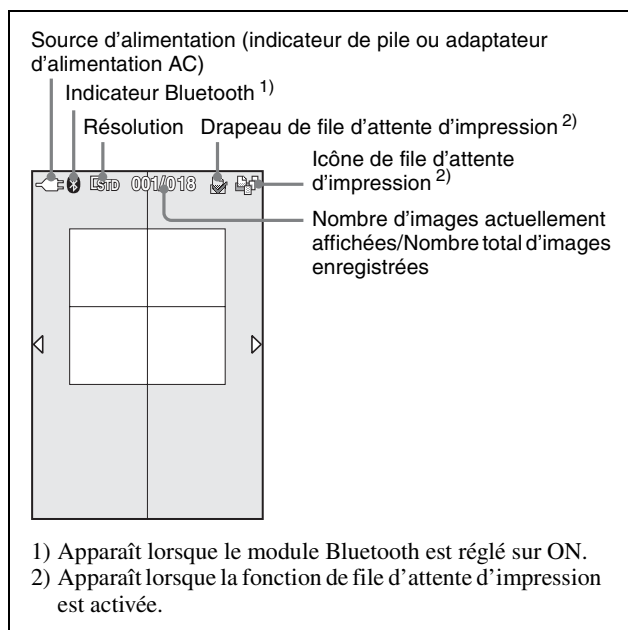
Visualisation d'une photo sur le LCD



- 1 Réglez le commutateur de mode sur .
Une photo enregistrée dans la mémoire de l'appareil-photo apparaît sur le LCD.
- 2 Sélectionnez une photo à visualiser en appuyant sur la touche de commande ◀ ou ▶.

Le LCD en mode Lecture

Ci-après un exemple d'affichage du LCD lorsque le commutateur de mode est réglé sur .



Affichage de l'écran multiple à neuf images

Neuf photos enregistrées dans la mémoire de l'appareil-photo peuvent être affichées en une fois sur le LCD. Vous pouvez, ainsi, rechercher rapidement une photo souhaitée.

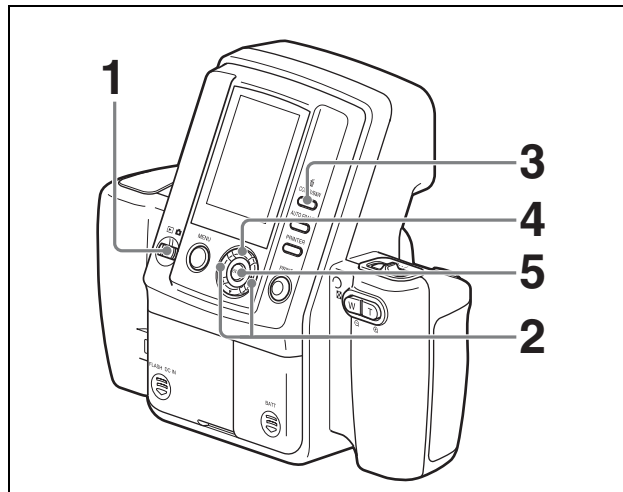
- 1 Appuyez sur le côté W du levier de zoom.



Vous pouvez visualiser neuf photos enregistrées dans la mémoire de l'appareil-photo sur le LCD.
- 2 Sélectionnez une photo en appuyant sur ◀, ▶, ▲ ou ▼ de la touche de commande.
Appuyez sur ◀ ou ▶ pour sélectionner respectivement la photo précédente ou suivante.
Appuyez sur ▲ ou ▼ pour afficher respectivement la page précédente ou suivante.
- 3 Appuyez sur la touche ENTER ou le levier de zoom.
La photo sélectionnée est affichée en plein écran.

Suppression d'une photo

La procédure pour la suppression des photos et la même pour l'écran multiple à neuf images et celui à une seule image.

Suppression une à une des photos en lecture

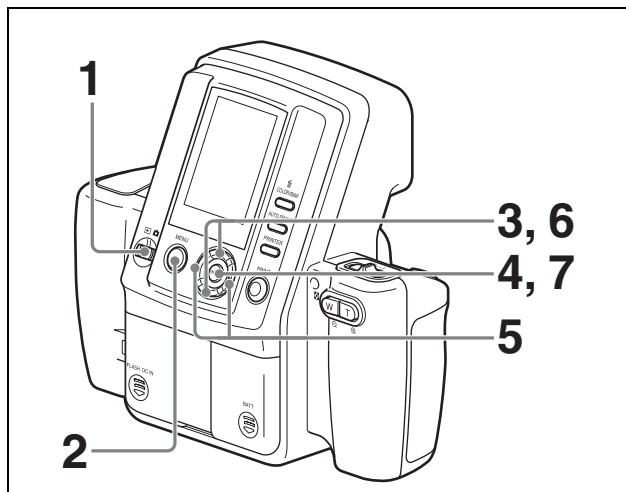



- 1 Réglez le commutateur de mode sur .
- 2 Sélectionnez une photo à supprimer en appuyant sur la touche de commande ◀ ou ▶.
- 3 Appuyez sur la touche .
L'écran SUPPRIMER apparaît.
- 4 Sélectionnez OK en appuyant sur la touche de commande ▲.
- 5 Appuyez sur la touche ENTER.
Les photos sélectionnées sont supprimées de la mémoire.

Pour continuer à supprimer des photos

Répétez les étapes 2 à 5 ci-dessus.

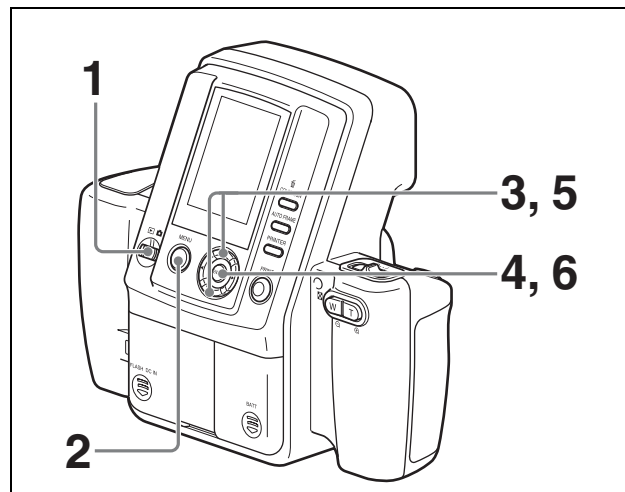
Pour supprimer des photos individuelles dans l'écran de menu




- 1 Régler le commutateur de mode sur .
- 2 Appuyez sur la touche MENU. L'écran de menu apparaît.
- 3 Sélectionnez SUPPRIMER en appuyant sur la touche de commande ▲ ou ▼.
- 4 Appuyez sur la touche ENTER. L'écran SUPPRIMER apparaît.
- 5 Sélectionnez une photo à supprimer en appuyant sur la touche de commande ◀ ou ▶.
- 6 Sélectionnez OK en appuyant sur la touche de commande ▲.
- 7 Appuyez sur la touche ENTER. Les photos sélectionnées sont supprimées de la mémoire.

Pour continuer à supprimer des photos
Répétez les étapes 5 à 7 ci-dessus.

Pour supprimer toutes les photos de l'écran de menu



- 1 Régler le commutateur de mode sur .
- 2 Appuyez sur la touche MENU. L'écran de menu apparaît.
- 3 Sélectionnez SUPPRIMER TOUT en appuyant sur la touche de commande ▲ ou ▼.
- 4 Appuyez sur la touche ENTER. L'écran SUPPRIMER TOUT apparaît.
- 5 Sélectionnez OK en appuyant sur la touche de commande ▲.
- 6 Appuyez sur la touche ENTER.

Toutes les photos sont supprimées de la mémoire.

Pour annuler la suppression de photo

Sélectionnez ANNULER dans l'écran SUPPRIMER, puis appuyez sur la touche ENTER. Le menu de lecture apparaît de nouveau.

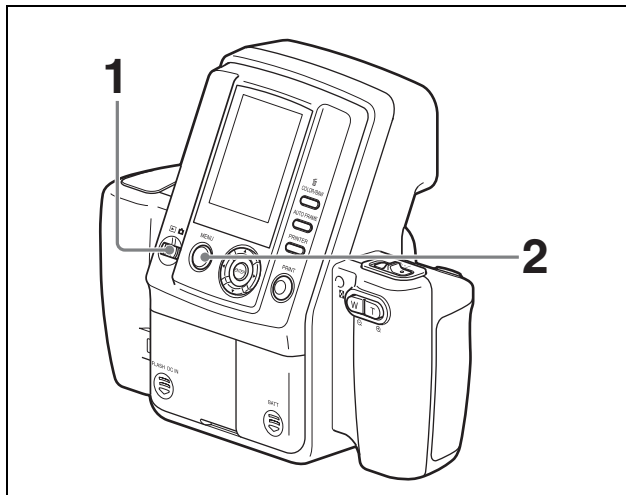
Pour quitter la suppression de photo


Appuyez sur la touche MENU.

Réglages

Il existe trois types de menus pour l'appareil-photo : Le menu de prise de vue pour régler les conditions de prise de vue, le menu Lecture pour les réglages relatifs aux images capturées et le menu REGLAGE pour la configuration de l'appareil-photo.

Affichage du menu de prise de vue

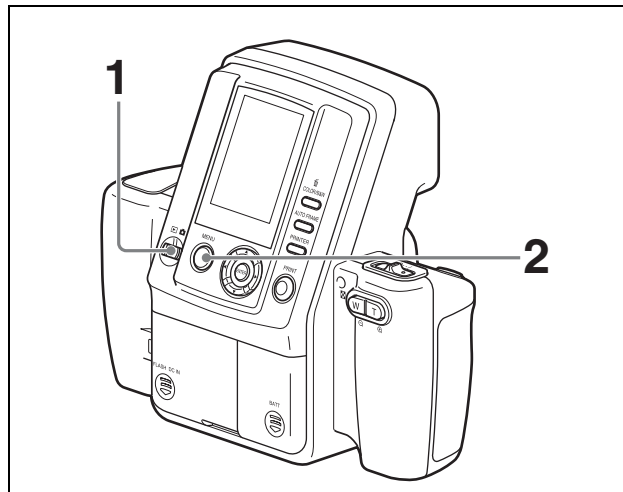



- 1 Régler le commutateur de mode sur .
- 2 Appuyez sur la touche MENU.
Le menu de prise de vue apparaît.

Pour quitter le menu et revenir à l'écran précédent

Appuyez sur la touche MENU.

Affichage du menu Lecture





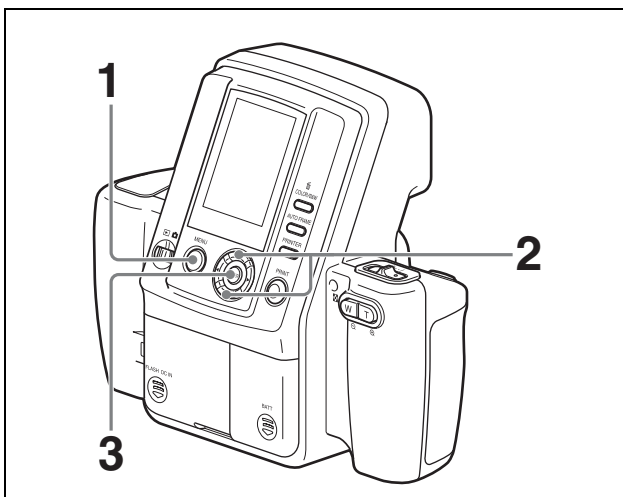
- 1 Régler le commutateur de mode sur .
- 2 Appuyez sur la touche MENU.
Le menu lecture apparaît.

Pour quitter le menu et revenir à l'écran précédent

Appuyez sur la touche MENU.

Affichage du menu REGLAGE

Le menu REGLAGE peut s'afficher indifféremment selon si le commutateur de mode est réglé sur  ou .



- 1** Appuyez sur la touche MENU.
En fonction de la position du commutateur de mode, le menu de prise de vue ou le menu lecture apparaît.
- 2** Sélectionnez REGLAGE en appuyant sur la touche de commande ▲ ou ▼.
- 3** Appuyez sur la touche ENTER.
Le menu REGLAGE apparaît.

Pour quitter le menu et revenir à l'écran précédent

Appuyez sur la touche MENU.

Menu

Fonctions des articles de menu

Menu de prise de vue

Article de menu	Fonction	Réglages
QUITTER	Quitte le mode MENU.	—
RESOLUTION	Sélectionne la résolution pour l'enregistrement.	HIGH (3264 × 2448) STD (1632 × 1224)
AUTO SUPPRESSION	Règle le mode d'effacement automatique.	ON Lorsque la mémoire est pleine, les données sont effacées à partir des plus anciennes lorsque des nouvelles sont enregistrées. OFF Lorsque la mémoire est pleine, il n'est plus possible d'effectuer de prise de vue.
MODE FLASH	Sélectionne le mode Flash.	P Flash : Auto M Flash : Forcé (niveau d'intensité du flash : 100/70/50/35/25/18/12%) M Flash : OFF
OUVERTURE	Sélectionne le réglage d'ouverture. Valide seulement lorsque le mode Flash est réglé sur M ou M .	F4,7 F5,6
OBTURATEUR	Sélectionne la vitesse d'obturation. Valide seulement lorsque le mode Flash est réglé sur M ou M .	1/2[s], 1/4[s], 1/8[s], 1/15[s], 1/30[s], 1/60[s], 1/100[s], 1/125[s], 1/250[s] , 1/500[s], 1/750[s], 1/1000[s]
BALANCE DES BLANCS	Permet de régler la balance des blancs. Valide seulement lorsque le mode Flash est réglé sur M ou M .	Programme : La balance des blancs est automatiquement réglée. OnePush : Vous permet de capturer n'importe quelle image à utiliser comme valeur de référence pour le blanc. 3000K, 3500K, 4000K, 4500K, 5000K, 5500K, 6000K, 6500K, 7000K : La balance des blancs est réglée pour la température de couleur sélectionnée.
EXPOSITION	Spécifiez la correction d'exposition.	Lorsque le mode flash est P : -2,0EV à 0EV à +2,0EV (par pas de 1/4EV) Lorsque le mode flash est M ou M : -1,0EV à 0EV à +2,0EV (par pas de 1/4EV)
REGLAGE	Affichage du menu REGLAGE	(Pour les détails, reportez-vous à « Menu REGLAGE » en page 100).

_____ : Réglages par défaut

Verrouillage de MENU : Maintenir appuyée la touche MENU pour verrouiller ou déverrouiller le menu.

Menu Lecture

Article de menu	Fonction	Réglages
QUITTER	Quitte le mode de menu.	—
PROPRIETE	Pour afficher les informations suivantes sur l'image sélectionnée.	—
SUPPRIMER	Pour supprimer une photo enregistrée dans la mémoire.	—
SUPPRIMER TOUT	Pour supprimer toutes les photos excepté toutes celles protégées et enregistrées dans la mémoire.	—
SUPPRIMER UN DE FILE	Retire l'image sélectionnée de la file d'attente d'impression.	—
EFFACER FILE ATTENTE	Retire toutes les images de la file d'attente d'impression.	—
REGLAGE	Affiche le menu REGLAGE.	(Pour les détails, reportez-vous à « Menu REGLAGE » en page 100).

Verrouillage de MENU : Maintenir appuyée la touche MENU pour verrouiller ou déverrouiller le menu.

Menu REGLAGE

Article de menu	Fonction	Réglages
RETOUR	Quitte le mode REGLAGE et revient à l'écran du menu précédent.	—
MODE FILE IMPRES	Active/désactive la fonction de file d'attente d'impression.	ON OFF
ID CADRE PHOTO	Sélectionne le cadre photo d'identité indiqué sur le LCD lorsque l'écran d'aperçu d'impression est affiché. Les cadres photo d'identité pouvant être utilisés avec ce système sont indiqués sur la droite mais sont sujets à des modifications sans préavis.	SELECTIONNER TOUT DESELECTIONNER TOUT Personnalisé-1 Personnalisé-2 Personnalisé-3 Personnalisé-4 Personnalisé-5 USA: Passport CAN: Passport MEX: Passport COL: Passport VEN: Passport EU: Passport GBR: Passport DEU: Passport FRA: Passport ITA: Passport NLD: Passport ESP: Passport AUT: Passport RUS: Passport TUR: Passport AUS: Passport NZL: Passport JPN: Passport JPN: Driver License JPN: Personal History
CADRE PERSONNALISE	Vous Permet de créer et d'enregistrer jusqu'à cinq cadres photo d'identité supplémentaires de n'importe quelle taille.	—
MODE DECOUPE	Active/désactive la fonction d'impression en découpe.	ON OFF

Article de menu	Fonction	Réglages
REGLAGE COULEUR	Règle la qualité d'impression pour les photos en couleur.	CYN-RED : Règle le cyan et le rouge. (-7 à <u>0</u> à +7) MAG-GRN : Règle le magenta et le vert. (-7 à <u>0</u> à +7) YEL-BLU : Règle le jaune et le bleu. (-7 à <u>0</u> à +7) DARK : Règle la clarté des zones sombres. (-7 à <u>0</u> à +7) LIGHT : Règle la clarté des zones claires. (-7 à <u>0</u> à +7) GAMMA : Règle la tonalité de l'image. SHARPNESS : Règle la netteté des contours des objets. (-7 à <u>0</u> à +7)
REGLAGE B&W	Règle la qualité d'impression pour les photos en noir et blanc.	
ECONOMIE ENERGIE AUTO	Vous permet de régler ou de désactiver la fonction ECONOMIE ENERGIE AUTO.	: Règle la fonction ECONOMIE ENERGIE AUTO lors de l'utilisation de l'adaptateur d'alimentation AC. (10 min/ 30 min /DESACTIVE) : Règle la fonction ECONOMIE ENERGIE AUTO lors de l'utilisation des piles. (3 min/ 7 min /10 min)
SON	Active ou désactive le son pour les opérations.	OFF OBTURATEUR ON
LANGUE	Sélectionne la langue.	English /Français/Deutsch/Italiano/Español/Português/Nederlands/Русский/日本語
REGLAGES PAR DEFAULT	Remet les réglages de l'appareil-photo à leurs valeurs par défaut.	—
VERSION MICROPROGRAMME	Affiche la version de l'appareil-photo.	—
Bluetooth	Réglage pour les fonctions Bluetooth.	PROPRIETE : Montre l'adresse de l'appareil-photo et la clé d'identification, ainsi que la liste des imprimantes enregistrées. CHANGER CLE PASSE : Pour changer la clé d'identification entre 0000 et 9999. (1234) AJOUTER IMPRIMANTE : Pour enregistrer jusqu'à trois imprimantes optionnelles. RETIRER IMPRIMANTE : Pour retirer une à une les imprimantes enregistrées. MODULE : Pour mettre ON ou OFF le circuit Bluetooth. (ON)

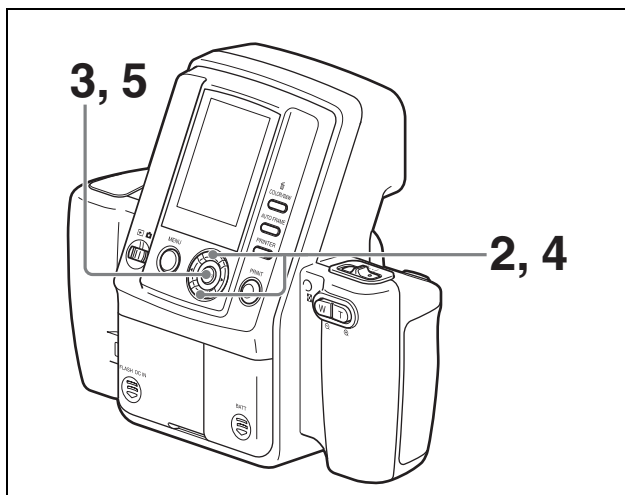
_____ : Réglages par défaut

Imprimante

Article de menu	Fonction	Réglages
COLOR ADJUST COLOR	Règle la qualité d'impression pour les photos en couleur.	Non utilisé avec ce système.
COLOR ADJUST B&W	Règle la qualité d'impression pour les photos en noir et blanc.	Non utilisé avec ce système.
Bluetooth SETTING	Vous pouvez effectuer les réglages Bluetooth.	Bluetooth ADDR: L'adresse Bluetooth est affichée. PASSKEY INPUT: Une clé d'identification est réglée ou changée. MY DEVICE NAME: Vous pouvez attribuer un numéro à l'imprimante. CONNECTION RECORD: Un historique des connexions est affiché. MODULE POWER: Les circuits Bluetooth sont sous ou hors tension.
PRINT SETTING	Règle finement la position d'impression pour le papier de la série UPC-X46.	PRINT OFFSET (-2/-1/0/1/2) La position d'impression peut être réglée en unités de 0,5 mm (1/32").
COPY PRINT	Réimprime la dernière photo enregistrée dans la mémoire.	[1 - 9] Règle le nombre de feuilles à réimprimer.
TOTAL PRINTS	Affiche le nombre total de feuilles imprimées.	—

Réglage de la résolution d'image

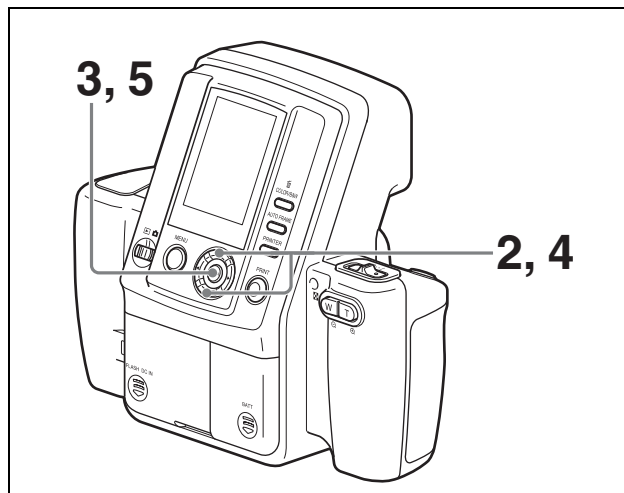
Sélectionnez la résolution d'image optimale pour votre format d'impression.



- 1 Afficher le menu de prise de vue.
Pour les détails sur l'affichage de l'écran de menu, reportez-vous à « Affichage du menu de prise de vue » en page 97.
- 2 Sélectionnez RESOLUTION en appuyant sur la touche de commande ▲ ou ▼.
- 3 Appuyez sur la touche ENTER.
L'écran RESOLUTION apparaît.
- 4 Sélectionnez l'une des résolutions suivantes en appuyant sur la touche de commande ▲ ou ▼.
HIGH : 3264 × 2448 (environ 30 prises de vue possibles)
STD : 1632 × 1224 (environ 120 prises de vue possibles)
Dans des conditions normales, le nombre donné ci-dessus correspond au nombre de prises de vue possibles pour chaque résolution, mais ce nombre diminue si les photos contiennent des motifs complexes. En mode de prise de vue, reportez-vous à la valeur affichée en haut à droite du LCD.
- 5 Appuyez sur la touche ENTER.
Le menu de prise de vue réapparaît.

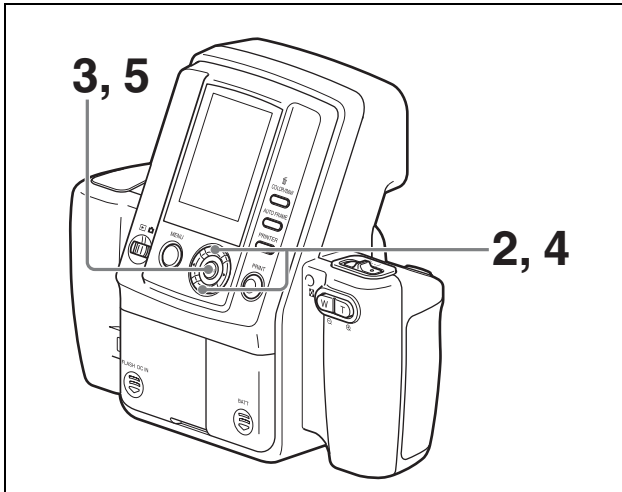
Réglage du mode AUTO SUPPRESSION

Vous pouvez sélectionner l'action effectuée par l'appareil-photo lorsque la mémoire est pleine.



- 1 Afficher le menu de prise de vue.
Pour les détails sur l'affichage de l'écran de menu, reportez-vous à « Affichage du menu de prise de vue » en page 97.
- 2 Sélectionnez AUTO SUPPRESSION en appuyant sur la touche de commande ▲ ou ▼.
- 3 Appuyez sur la touche ENTER.
L'écran AUTO SUPPRESSION apparaît.
- 4 Sélectionnez ON ou OFF en appuyant sur la touche de commande ▲ ou ▼.
ON : Lorsque la mémoire est pleine, les images enregistrées sont automatiquement effacées à partir des plus anciennes et de nouvelles données d'image sont enregistrées.
OFF : La prise de vue est désactivée lorsque la mémoire est pleine.
- 5 Appuyez sur la touche ENTER.
Le menu de prise de vue réapparaît.

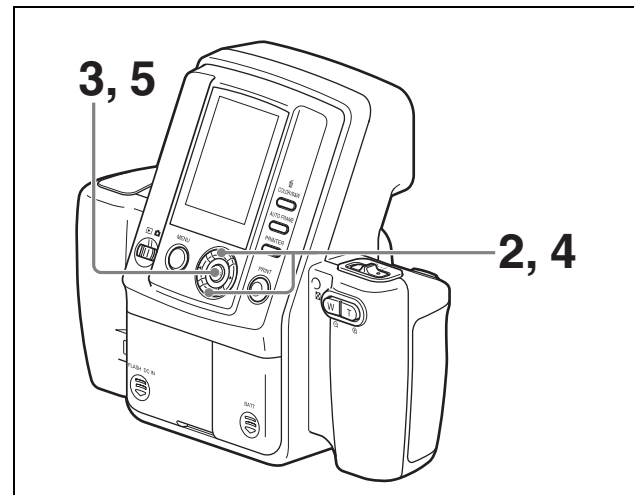
Sélection du Mode Flash



- 1** Afficher le menu de prise de vue.
Pour les détails sur l'affichage de l'écran de menu, reportez-vous à « Affichage du menu de prise de vue » en page 97.
- 2** Sélectionnez MODE FLASH en appuyant sur la touche de commande ▲ ou ▼.
- 3** Appuyez sur la touche ENTER.
L'écran MODE FLASH apparaît.
- 4** Sélectionnez le mode Flash en appuyant sur la touche de commande ▲ ou ▼.
Pour les détails sur chaque mode, reportez-vous à « Modes Flash et exemple de conditions de prise de vue » en page 76.
- 5** Appuyez sur la touche ENTER.
Si P⁴ ou M³ a été sélectionné pour le mode flash, le menu de prise de vue réapparaît.
Si M⁴ a été sélectionné pour le mode Flash, le menu pour la sélection du niveau d'intensité du flash apparaît. Sélectionnez un niveau d'intensité de flash (100/70/50/35/25/18/12%) à l'aide de la touche de commande ▲ ou ▼, puis appuyez sur la touche ENTER. Le niveau d'intensité du flash est réglé et le menu de prise de vue réapparaît.

Réglage de l'ouverture

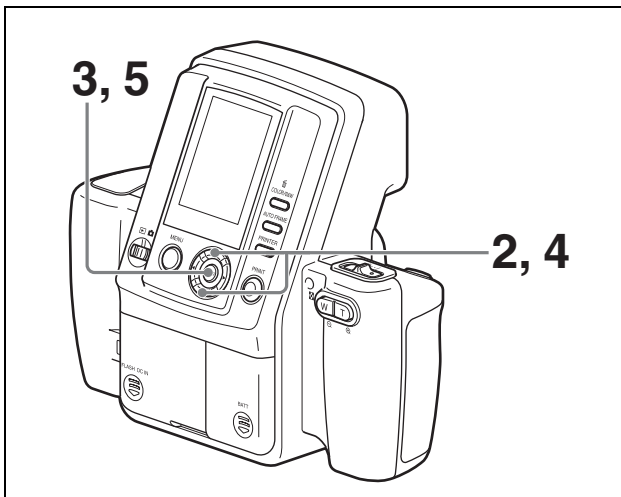
Vous ne pouvez régler l'ouverture que lorsque le MODE FLASH est réglé sur M⁴ ou M³.



- 1** Afficher le menu de prise de vue.
Pour les détails sur l'affichage de l'écran de menu, reportez-vous à « Affichage du menu de prise de vue » en page 97.
- 2** Sélectionnez OUVERTURE en appuyant sur la touche de commande ▲ ou ▼.
- 3** Appuyez sur la touche ENTER.
L'écran OUVERTURE apparaît.
- 4** Sélectionnez F4,7 ou F5,6 en appuyant sur la touche de commande ▲ ou ▼.
- 5** Appuyez sur la touche ENTER.
Le menu de prise de vue réapparaît.

Réglage de la vitesse d'obturation

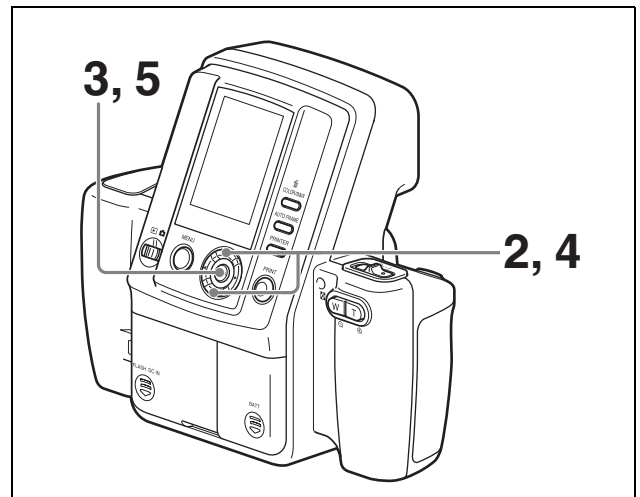
Vous ne pouvez régler la vitesse d'obturation que lorsque le MODE FLASH est réglé sur $M\frac{1}{2}$ ou $M\frac{1}{3}$.



- 1 Afficher le menu de prise de vue.
Pour les détails sur l'affichage de l'écran de menu, reportez-vous à « Affichage du menu de prise de vue » en page 97.
- 2 Sélectionnez OBTURATEUR en appuyant sur la touche de commande ▲ ou ▼.
- 3 Appuyez sur la touche ENTER.
L'écran OBTURATEUR apparaît.
- 4 Sélectionnez une vitesse d'obturation en appuyant sur la touche de commande ▲ ou ▼.
Sélectionnez entre 1/2 (s), 1/4 (s), 1/8 (s), 1/15 (s), 1/30 (s), 1/60 (s), 1/100 (s), 1/125 (s), 1/250 (s), 1/500 (s), 1/750 (s) et 1/1000 (s).
- 5 Appuyez sur la touche ENTER.
Le menu de prise de vue réapparaît.

Réglage de la balance des blancs

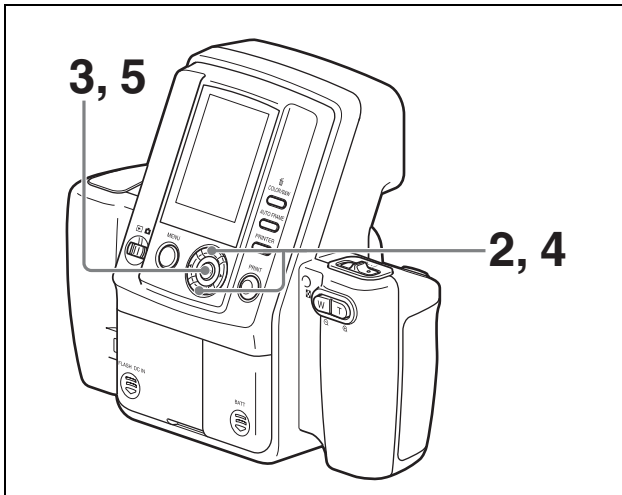
Vous ne pouvez régler la balance des blancs que lorsque le MODE FLASH est réglé sur $M\frac{1}{2}$ ou $M\frac{1}{3}$.



- 1 Afficher le menu de prise de vue.
Pour les détails sur l'affichage de l'écran de menu, reportez-vous à « Affichage du menu de prise de vue » en page 97.
- 2 Sélectionnez W.B en appuyant sur la touche de commande ▲ ou ▼.
- 3 Appuyez sur la touche ENTER.
L'écran Balance des blancs apparaît.
- 4 Sélectionnez la méthode pour régler la balance des blancs en appuyant sur la touche de commande ▲ ou ▼.
PROGRAMME : La balance des blancs est automatiquement réglée.
OnePush : Une nouvelle image est capturée comme valeur de référence pour le blanc. Dans les mêmes conditions d'éclairage que pour les prises de vue, affichez un objet blanc (tel qu'un morceau de papier ou de tissu) au centre du LCD, puis appuyez sur le déclencheur ou la touche ENTER. La balance des blancs est capturée et réglée pour les conditions d'éclairage actuelles.
3000K à 7000K : Sélectionnez une température de couleur qui correspond aux conditions d'éclairage. Vous pouvez sélectionner des températures entre 3000K et 7000K en unités de 500K. La balance des blancs est réglée en fonction de la température de couleur sélectionnée.
- 5 Appuyez sur la touche ENTER.
Le réglage de balance des blancs sélectionné est enregistré et le menu de prise de vue réapparaît.

Correction de l'exposition

Vous pouvez régler une valeur par défaut pour la correction d'exposition lors de la prise de vue.



- 1 Afficher le menu de prise de vue.

Pour les détails sur l'affichage de l'écran de menu, reportez-vous à « Affichage du menu de prise de vue » en page 97.

- 2 Sélectionnez EXPOSITION en appuyant sur la touche de commande ▲ ou ▼.
- 3 Appuyez sur ENTER de la touche de commande.
- 4 Sélectionnez une valeur appropriée en appuyant sur la touche de commande ▲ ou ▼.
- 5 Appuyez sur la touche ENTER.

La valeur sélectionnée est réglée et le menu de prise de vue réapparaît.

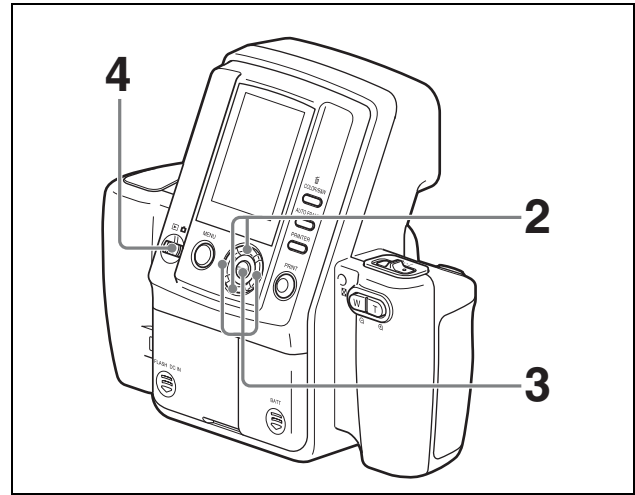
Pour corriger facilement l'exposition

L'exposition peut facilement être changée en appuyant sur la touche de commande ▲ ou ▼. Lorsque la touche est appuyée, la valeur affichée sur le LCD change. Avec cette méthode, vous pouvez changer l'exposition même lorsque le menu a été verrouillé.

Pour les détails sur le verrouillage de menu, reportez-vous à « Verrouillage des menus de l'appareil-photo » en page 113.

Visualisation des informations sur des images capturées

Vous pouvez visualiser des informations sur les images capturées, tel que les réglages de MODE FLASH, sur le LCD.



- 1 Afficher le menu Lecture.

Pour les détails sur l'affichage de l'écran de menu, reportez-vous à « Affichage du menu Lecture » en page 97.

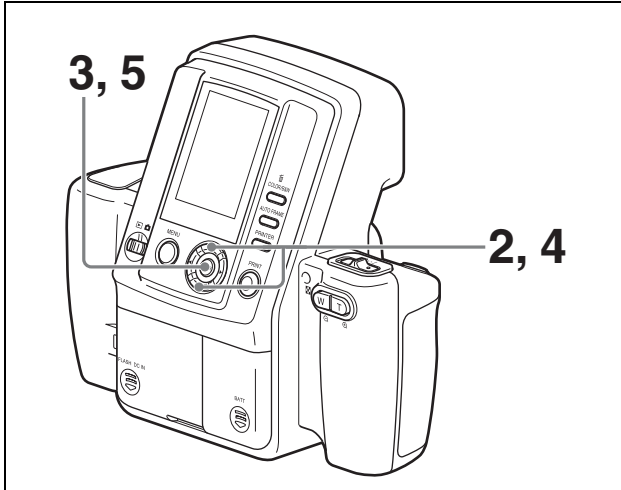
- 2 Sélectionnez PROPRIETE en appuyant sur la touche de commande ▲ ou ▼.
- 3 Appuyez sur la touche ENTER. L'écran PROPRIETE apparaît. Vous pouvez sélectionner les photos en appuyant sur la touche de commande ◀ ou ▶.
- 4 Appuyez sur la touche ENTER. Le menu de lecture apparaît de nouveau.

Remarque

L'impression ne peut être effectuée à partir de l'écran PROPRIETE. Retournez à l'écran du mode Lecture pour effectuer l'impression.

Utilisation de la file d'attente d'impression

Ce système fournit une fonction de file d'attente d'impression pour pouvoir imprimer plus tard un groupe d'images capturées. Pour utiliser cette fonction, suivez la procédure ci-dessous pour activer la fonction de file d'attente d'impression.



1 Afficher le menu REGLAGE.

Pour les détails sur l'affichage de ce menu, reportez-vous à « Affichage du menu REGLAGE » en page 98.

2 Appuyez sur la touche de commande ▲ ou ▼ pour sélectionner MODE FILE IMPRES.

3 Appuyez sur la touche ENTER. L'écran ATTENTE IMP. apparaît.

4 Appuyez sur la touche de commande ▲ ou ▼ pour sélectionner ON.

5 Appuyez sur la touche ENTER. Le menu REGLAGE réapparaît.


A propos de la prise de vue et de l'impression lorsque la fonction de file d'attente d'impression est activée

Ceci se produit lorsque la fonction de file d'attente d'impression est activée.

Pendant la prise de vue (visualisation automatique après capture) ou la lecture

Lorsque vous essayez d'imprimer une image capturée, l'image sera marquée par un drapeau pour être dans la file d'attente d'impression et un écran demandant la confirmation de démarrage d'impression apparaît.

- Si vous sélectionnez ANNULER, vous pouvez revenir sur la prise de vue, imprimer d'autres images ou effectuer d'autres opérations.
- Si vous sélectionnez OK, l'impression de toutes les images dans la file d'attente commence.

L'icône  (drapeau de file d'attente d'impression) apparaît sur le LCD pendant la lecture des images dans la file d'attente d'impression. Si vous imprimez des images avec le drapeau pendant la lecture, l'impression de toutes les images dans la file d'attente d'impression commence.

Opération de file d'attente d'impression

Si vous annulez l'impression de la file d'attente alors qu'elle a commencé, vous pouvez retourner à la prise de vue. Si vous ajoutez des images à la file d'attente d'impression et relancez l'impression, les images dans la file d'attente n'ayant pas été imprimées auparavant seront imprimées avec les nouvelles.

En commençant par la première image que vous avez imprimée de la file d'attente, les autres images sont imprimées dans l'ordre croissant en fonction de du numéro de chacune. Lorsque le plus grand numéro est atteint, l'impression continue à partir du plus petit numéro jusqu'à atteindre la dernière image de la file d'attente.

Remarques

- Lorsque vous utilisez la fonction de file d'attente d'impression, dans un système à plusieurs imprimantes, les images seront imprimées sur une seule imprimante.
- Lorsque le papier est éjecté après l'impression, ne laissez pas plus de cinq feuilles s'accumuler dans le bac à papier. Ceci risque de produire un bourrage papier.

Pour retirer une à une des images de la file d'attente d'impression

Pour retirer une image de la file d'attente d'impression, effectuez les étapes suivantes pour retirer le drapeau.

1 Régler le commutateur de mode sur .

2 Afficher le menu Lecture.

Pour les détails sur l'affichage de menu, reportez-vous à « Affichage du menu Lecture » en page 97.

3 Sélectionnez SUPPRIMER UN DE FILE en appuyant sur la touche de commande ▲ ou ▼.

4 Appuyez sur la touche ENTER. L'écran SUPPRIMER UN DE FILE apparaît.


- 5 Affichez l'image que vous voulez retirer de la file d'attente en appuyant sur la touche de commande ◀ ou ▶.
- 6 Sélectionnez OK en appuyant sur la touche de commande ▲.
- 7 Appuyez sur la touche ENTER.
L'image sélectionnée à l'étape 5 est effacée de la file d'attente d'impression.

Pour continuer à retirer des images de la file d'attente d'impression

Répétez les étapes 5 à 7 ci-dessus.

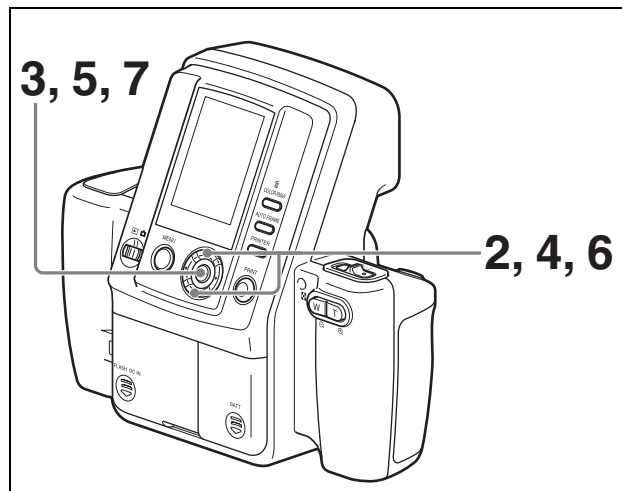
Pour retirer toutes images de la file d'attente d'impression

Vous pouvez simultanément retirer toutes images de la file d'attente d'impression en effectuant les étapes suivantes.

- 1 Régler le commutateur de mode sur .
- 2 Afficher le menu Lecture.
Pour les détails sur l'affichage de menu, reportez-vous à « Affichage du menu Lecture » en page 97.
- 3 Sélectionnez EFFACER FILE ATTENTE en appuyant sur la touche de commande ▲ ou ▼.
- 4 Appuyez sur la touche ENTER.
L'écran EFFACER FILE ATTENTE apparaît.
- 5 Sélectionnez OK en appuyant sur la touche de commande ▲.
- 6 Appuyez sur la touche ENTER.
Toutes les images sont effacées de la file d'attente d'impression.

Réglage d'un cadre à afficher lors de l'impression

Le cadre photo d'identité disponible pour la sélection sur l'écran d'aperçu d'impression peut être réglé dans le menu REGLAGE. Réglez les cadres les plus fréquemment utilisés pour s'afficher pour pouvoir sélectionner facilement le cadre souhaité.



- 1 Afficher le menu REGLAGE.
Pour les détails sur l'affichage de ce menu, reportez-vous à « Affichage du menu REGLAGE » en page 98.
- 2 Sélectionnez ID CADRE PHOTO en appuyant sur la touche de commande ▲ ou ▼.
- 3 Appuyez sur la touche ENTER.
L'écran ID CADRE PHOTO apparaît.
- 4 Sélectionnez un cadre à cacher en appuyant sur la touche de commande ▲ ou ▼.
Vous pouvez afficher la page suivante ou revenir à la précédente en appuyant sur la touche de commande ◀ ou ▶.
- 5 Appuyez sur la touche ENTER.
Le ✓ (repère de vérification) pour le cadre sélectionné apparaît et le cadre devient disponible dans l'écran d'aperçu d'impression.
Si vous appuyez de nouveau sur la touche ENTER, le ✓ (repère de vérification) est supprimé et le cadre n'est plus disponible dans l'écran d'aperçu d'impression.

Chaque pression sur la touche ENTER supprime ou restaure le repère ✓.

Si vous sélectionnez SELECTIONNER TOUT et que vous appuyez sur la touche ENTER, le repère ✓ apparaît pour tous les cadres photo d'identité.

Si vous sélectionnez DESELECTIONNER TOUT et que vous appuyez sur la touche ENTER, le repère ✓ est supprimé de tous les cadres photo d'identité.

Remarque

Sélectionnez au moins un cadre photo d'identité. Vous ne pouvez pas fermer l'écran ID CADRE PHOTO lorsque ✓ de tous les cadres photo d'identité sont supprimés.

6 A la fin de la configuration des réglages, sélectionnez RETOUR en appuyant sur la touche de commande ▲ ou ▼.

7 Appuyez sur la touche ENTER. Le menu REGLAGE réapparaît.

Exemple de code pays pour le cadre photo d'identité

Le cadre photo d'identité de cet appareil-photo utilise les codes pays ISO, sans tenir compte de la langue sélectionnée.

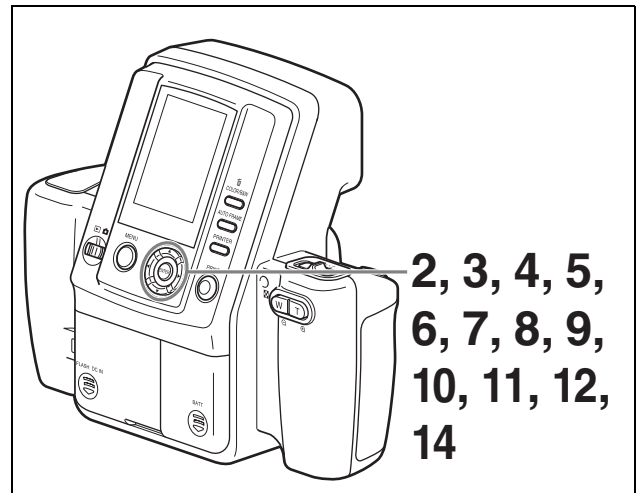
Code	Pays
AUS	Australie
AUT	Autriche
BRA	Brésil
CAN	Canada
COL	Colombie
DEU	Allemagne
ESP	Espagne
EU	UE
FRA	France
GBR	Royaume-Uni
ITA	Italie
JPN	Japon
MEX	Mexique
NLD	Hollande
NZL	Nouvelle Zélande
PRT	Portugal
RUS	Russie
TUR	Turquie
USA	Etats-Unies
VEN	Vénézuéla

Remarque

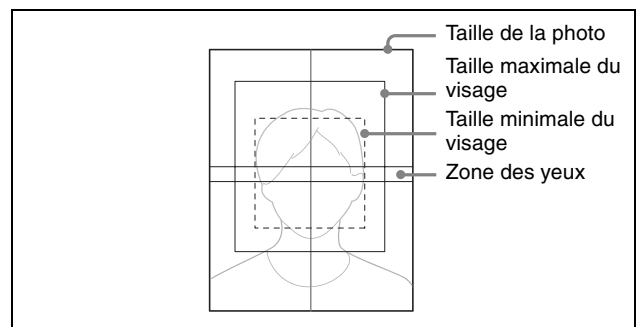
En fonction de votre sélection de pays et de région lors des configurations initiales, des cadres photo d'identité ne sont sélectionnables pour certains pays.

Création d'un cadre supplémentaire

Vous pouvez définir jusqu'à cinq cadres photo d'identité de n'importe quel format et les enregistrer dans cet appareil-photo.



Pour créer un cadre supplémentaire, définissez le cadre suivant.



1 Afficher le menu REGLAGE.

Pour les détails sur l'affichage de ce menu, reportez-vous à « Affichage du menu REGLAGE » en page 98.

2 Appuyez sur la touche de commande ▲ or ▼ pour sélectionner CADRE PERSONALISE.

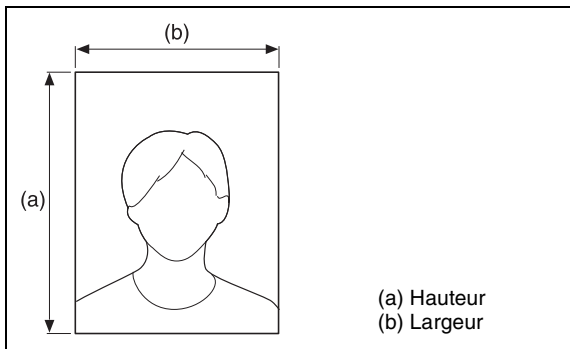
3 Appuyez sur la touche ENTER. Le 1er écran de l'écran de réglage de cadre apparaît.

4 Appuyez sur la touche de commande ◀ ou ▶ pour sélectionner un numéro de cadre (1 à 5).

5 Appuyez sur la touche de commande ▼ pour sélectionner SUIVANT, puis appuyez sur la touche ENTER.

Le 2ième écran de l'écran de réglage de cadre apparaît.

- 6** Spécifiez un format de photo.
Appuyez sur la touche de commande ▲ ou ▼ pour sélectionner l'article de réglage suivant, puis appuyez sur ◀ ou ▶ pour sélectionner une valeur.



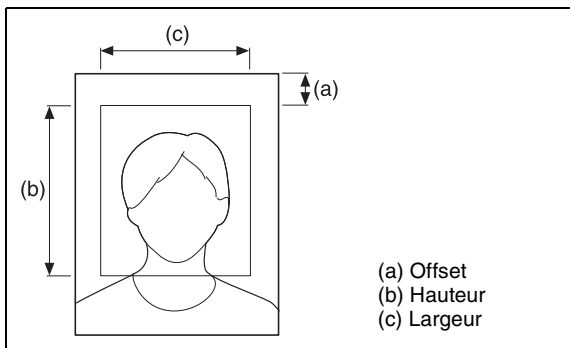
UNITE DE TAILLE : Sélectionnez une unité de taille.

Hauteur : Spécifiez la hauteur d'un format de photo.

Largeur : Spécifiez la largeur d'un format de photo.

- 7** Appuyez sur la touche de commande ▼ pour sélectionner SUIVANT, puis appuyez sur la touche ENTER.
Le 3ième écran de l'écran de réglage de cadre apparaît.

- 8** Spécifiez la taille maximale du visage (plage maximale couvrant le visage du sujet).
Appuyez sur la touche de commande ▲ ou ▼ pour sélectionner l'article de réglage suivant, puis appuyez sur ◀ ou ▶ pour sélectionner une valeur.



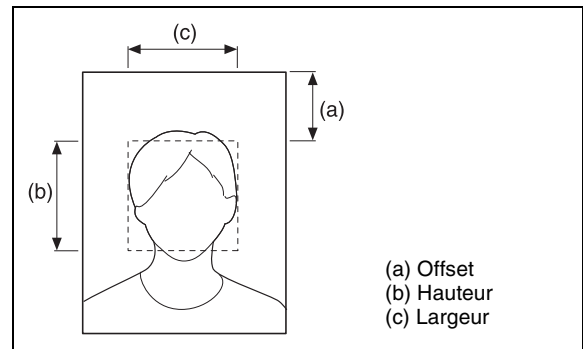
Offset : Spécifiez la distance de la circonférence du cadre à la zone maximale du visage.

Hauteur : Spécifiez la hauteur de la taille maximale du visage.

Largeur : Spécifiez la largeur de la taille maximale du visage.

- 9** Appuyez sur la touche de commande ▼ pour sélectionner SUIVANT, puis appuyez sur la touche ENTER.
Le 4ième écran de l'écran de réglage de cadre apparaît.

- 10** Spécifiez la taille minimale du visage (plage minimale couvrant le visage du sujet).
Appuyez sur la touche de commande ▲ ou ▼ pour sélectionner l'article de réglage suivant, puis appuyez sur ◀ ou ▶ pour sélectionner une valeur.



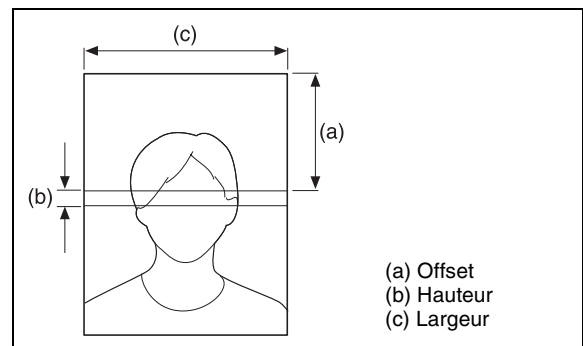
Offset : Spécifiez la distance de la circonférence du cadre à la zone minimale du visage.

Hauteur : Spécifiez la hauteur de la taille minimale du visage.

Largeur : Spécifiez la largeur de la taille minimale du visage.

- 11** Appuyez sur la touche de commande ▼ pour sélectionner SUIVANT, puis appuyez sur la touche ENTER.
Le 5ième écran de l'écran de réglage de cadre apparaît.

- 12** Spécifiez la zone des yeux (zone de positionnement des yeux du sujet).
Appuyez sur la touche de commande ▲ ou ▼ pour sélectionner l'article de réglage suivant, puis appuyez sur ◀ ou ▶ pour sélectionner une valeur.



Offset : Spécifiez la distance de la circonférence du cadre à la zone des yeux.

Hauteur : Spécifiez la hauteur de la zone des yeux.

Largeur : Spécifiez la largeur de la zone des yeux.

- 13** Appuyez sur la touche de commande ▼ pour sélectionner SUIVANT, puis appuyez sur la touche ENTER.
Le 6ième écran de l'écran de réglage de cadre apparaît.

14 Vérifiez les articles que vous avez spécifiés jusqu'à alors.
Pour changer un réglage, appuyez sur la touche de commande ◀ pour sélectionner PRECEDENT, puis appuyez sur la touche ENTER pour revenir sur l'écran précédent.

15 Appuyez sur la touche de commande ◀ ou ▶ pour sélectionner OK, puis appuyez sur la touche ENTER.
Le menu REGLAGE réapparaît.

Pour revenir à l'écran précédent lors de la configuration

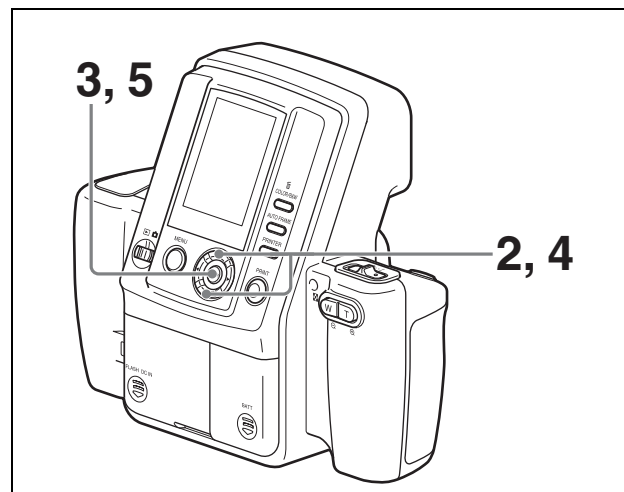
Vous pouvez revenir sur un écran précédent et changer les réglages à tout moment pendant les écrans 2 à 6 de l'écran de réglage de cadre. Pour revenir sur un écran précédent, appuyez sur la touche de commande ▲ pour sélectionner PRECEDENT, puis appuyez sur la touche ENTER.

Utilisation d'un cadre supplémentaire

Vous pouvez utiliser la liste ID CADRE PHOTO pour activer un cadre supplémentaire. Pour les détails, reportez-vous à « Réglage d'un cadre à afficher lors de l'impression » en page 107.

Utilisation de la fonction Impression en découpe

La fonction Impression en découpe vous permet d'imprimer une image capturée avec un format d'environ 3 mm plus large que le format de cadre sélectionné qui devient le format cible lorsque l'image est coupée. (Ceci est appelé « Impression en découpe ».) Pour utiliser cette fonction, suivez les étapes ci-dessous pour activer le mode découpe.



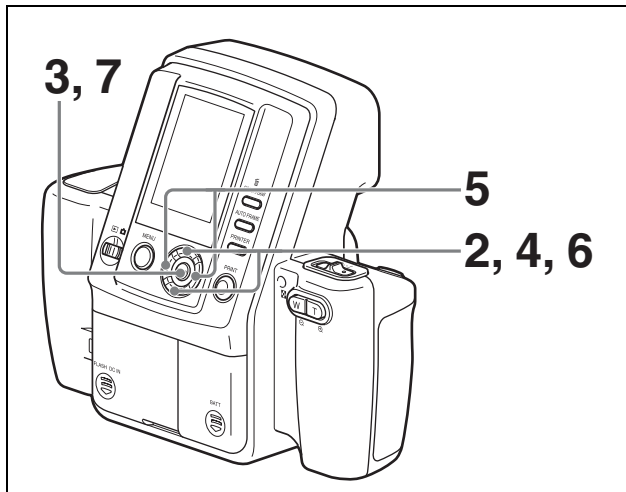
- 1** Afficher le menu REGLAGE.
Pour les détails sur l'affichage de ce menu, reportez-vous à « Affichage du menu REGLAGE » en page 98.
- 2** Appuyez sur la touche de commande ▲ ou ▼ pour sélectionner MODE DECOUPE.
- 3** Appuyez sur la touche ENTER.
L'écran MODE DECOUPE apparaît.
- 4** Appuyez sur la touche de commande ▲ ou ▼ pour sélectionner ON.
- 5** Appuyez sur la touche ENTER.
Le menu REGLAGE réapparaît.
A partir de là, les images capturées sont imprimées à un format d'environ 3 mm plus large que le format du cadre photo d'identité sélectionné.

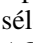

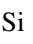
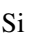
Remarque

Lorsque la fonction d'impression en découpe est activée, le nombre d'images imprimées sur une seule feuille peut être inférieur à celui d'une impression normale.

Utilisation de la fonction d'économie d'énergie automatique

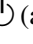
Lorsque vous activez la fonction d'économie d'énergie automatique, l'appareil-photo entre dans ce mode si aucune opération n'est effectuée pendant un certain moment. La durée peut être réglée en fonction de l'utilisation de l'adaptateur d'alimentation AC ou des piles.



- 1 Afficher le menu REGLAGE.
Pour les détails sur l'affichage de ce menu, reportez-vous à « Affichage du menu REGLAGE » en page 98.
- 2 Appuyez sur la touche de commande ▲ ou ▼ pour sélectionner ECONOMIE ENERGIE AUTO.
- 3 Appuyez sur la touche ENTER.
L'écran ECONOMIE ENERGIE AUTO apparaît.
- 4 Appuyez sur la touche de commande ▲ ou ▼ et sélectionnez soit  (adaptateur d'alimentation AC) ou  (piles).
- 5 Appuyez sur la touche de commande ◀ ou ▶ et sélectionnez la durée après laquelle le mode d'économie d'énergie est activé.
Si  (adaptateur d'alimentation AC) est spécifié, vous pouvez sélectionner 10 min, 30 min ou DESACTIVE.
Si  (piles) est spécifié, vous pouvez sélectionner 3 min, 7 min ou 10 min.
Si vous sélectionnez DESACTIVE, la fonction d'économie d'énergie automatique est désactivée.
- 6 Appuyez sur la touche de commande ▲ ou ▼ pour sélectionner OK.
- 7 Appuyez sur la touche ENTER.
Le menu REGLAGE réapparaît.

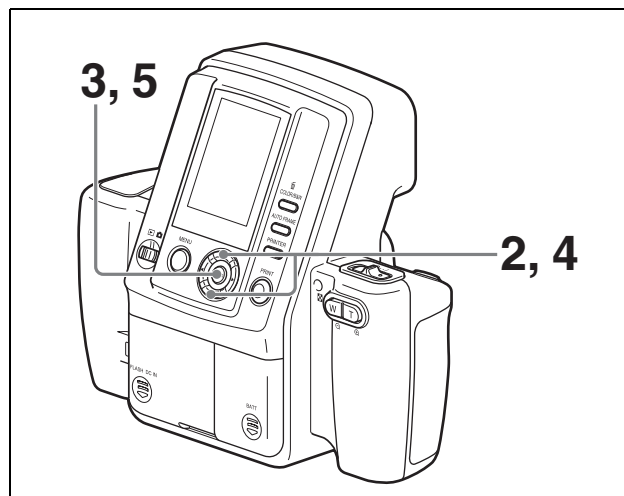
Mise sous tension de nouveau pendant le mode d'économie d'énergie

Effectuez l'une des opérations suivantes.

- Réglez le commutateur on/attente sur  (attente), puis de nouveau sur I (on).
- Appuyez à mi-course sur le déclencheur.
- Appuyez sur n'importe quelle touche de l'appareil-photo.

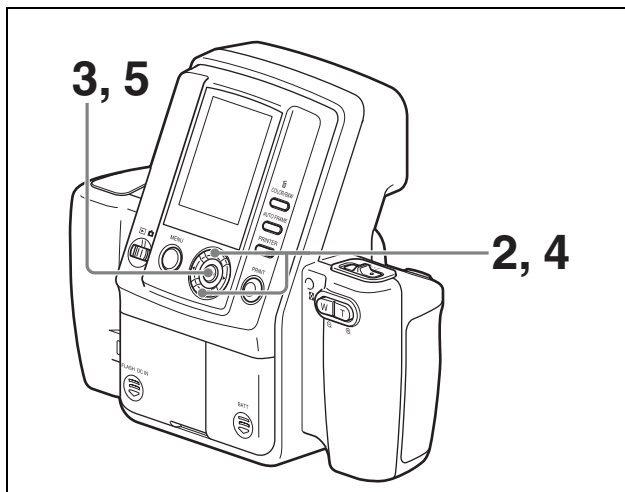
Réglage des sons de l'appareil-photo

Vous pouvez sélectionner que l'appareil-photo émette des sons lorsqu'il fonctionne.



- 1 Afficher le menu REGLAGE.
Pour les détails sur l'affichage de ce menu, reportez-vous à « Affichage du menu REGLAGE » en page 98.
- 2 Sélectionnez SON en appuyant sur la touche de commande ▲ ou ▼.
- 3 Appuyez sur la touche ENTER.
L'écran SON apparaît.
- 4 Sélectionnez un réglage son en appuyant sur la touche de commande ▲ ou ▼.
OFF : Aucun son n'est émis.
OBTURATEUR : Un son est émis seulement lorsque le déclencheur ou la touche PRINT est appuyé.
ON : Un son est émis pour toutes les opérations de l'appareil-photo (excepté les opérations de zoom).
- 5 Appuyez sur la touche ENTER.
Le menu REGLAGE réapparaît.

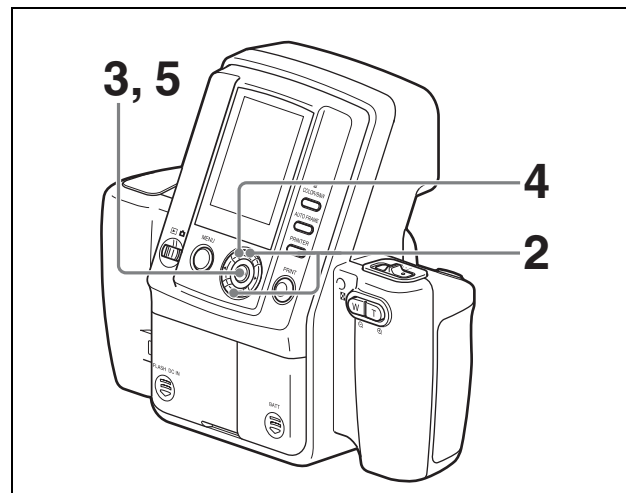
Sélection de l'affichage de la langue



- 1** Afficher le menu REGLAGE.
Pour les détails sur l'affichage de ce menu, reportez-vous à « Affichage du menu REGLAGE » en page 98.
- 2** Sélectionnez LANGUE en appuyant sur la touche de commande ▲ ou ▼.
- 3** Appuyez sur la touche ENTER. L'écran LANGUE apparaît.
- 4** Sélectionnez un affichage de langue n appuyant sur la touche de commande ▲ ou ▼.
Vous pouvez choisir entre l'anglais, le français, l'allemand, l'italien, l'espagnol, le portugais ; le hollandais, le russe et le japonais.
- 5** Appuyez sur la touche ENTER. Le menu REGLAGE réapparaît.

Réinitialisation de tous les réglages par défaut

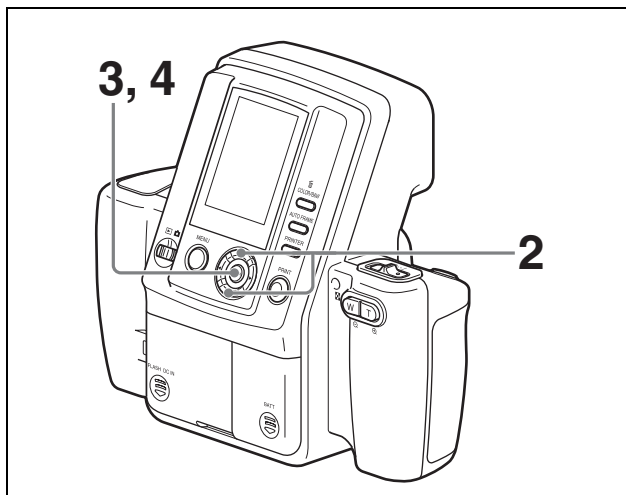
Vous pouvez remettre les réglages d'appareil-photo à leurs valeurs par défaut réglées en usine.



- 1** Afficher le menu REGLAGE.
Pour les détails sur l'affichage de ce menu, reportez-vous à « Affichage du menu REGLAGE » en page 98.
- 2** Sélectionnez REGLAGES PAR DEFAUT en appuyant sur la touche de commande ▲ ou ▼.
- 3** Appuyez sur la touche ENTER. L'écran REGLAGE PAR DEFAUT apparaît.
- 4** Lisez attentivement l'avertissement et sélectionnez OK en appuyant sur la touche de commande ▲.
- 5** Appuyez sur la touche ENTER. Tous les réglages de l'appareil-photo sont réinitialisés à leurs valeurs par défaut et le menu REGLAGE réapparaît. (Les images capturées et les cadres supplémentaires sont retenus.)

Affichage de la version du microprogramme

Vous pouvez afficher la version du microprogramme de l'appareil-photo. Utilisez ces informations lors du contact avec le service après-vente de l'appareil-photo.

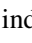


- 1** Afficher le menu REGLAGE.
Pour les détails sur l'affichage de ce menu, reportez-vous à « Affichage du menu REGLAGE » en page 98.
- 2** Sélectionnez VERSION MICROPROGRAMME en appuyant sur la touche de commande ▲ ou ▼.
- 3** Appuyez sur la touche ENTER.
L'écran VERSION MICROPROGRAMME apparaît.
- 4** Appuyez sur la touche ENTER.
Le menu REGLAGE réapparaît.

Verrouillage des menus de l'appareil-photo


Vous pouvez empêcher l'affichage des écrans de menu même lorsque la touche MENU est appuyée pendant la prise de vue ou la lecture. Ceci évite toute modification accidentelle des réglages de menus.

Verrouillage des menus

Appuyez sur la touche MENU pendant au moins 5 secondes. L'écran de menu disparaît et l'icône de verrouillage  apparaît. L'icône indique que les menus sont maintenant verrouillés et ne seront pas affichés si vous appuyez sur la touche MENU.

Les menus restent verrouillés même si vous commutez entre les modes de prise de vue et lecture ou si vous redémarrez l'appareil-photo.

Pour libérer le verrouillage des menus

Appuyez sur la touche MENU pendant au moins 5 secondes. L'icône de verrouillage  disparaît et l'écran de menu apparaît.

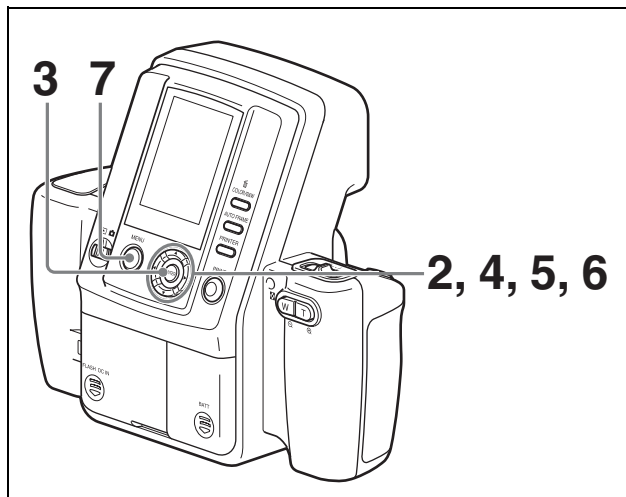
Réglage de la qualité d'impression

Vous pouvez utiliser la fonction MENU de l'appareil-photo pour régler la qualité de la photo. La fonction d'impression de guide de l'appareil-photo vous permet de vérifier les résultats de réglage.

Pour les détails sur la signification des valeurs des affichages CYN-RED, MAG-GRN et YEL-BLU, reportez-vous à « Explication des paramètres de réglage de la qualité d'image » en page 115.

Réglage de la qualité d'image

Pour régler la qualité d'image des impressions couleur



- 1 Afficher le menu REGLAGE.
Pour les détails sur l'affichage de menu, reportez-vous à « Affichage du menu REGLAGE » en page 98.
- 2 Appuyez sur la touche de commande ▲ ou ▼ pour sélectionner REGLAGE COULEUR.
- 3 Appuyez sur la touche ENTER.
L'écran REGLAGE COULEUR apparaît.
- 4 Spécifiez chaque article de réglage.
Appuyez sur la touche de commande ▲ ou ▼ pour sélectionner l'article de réglage suivant, puis appuyez sur ◀ ou ▶ pour sélectionner une valeur.
CYN-RED : Appuyez sur ◀ pour donner plus de cyan à la photo et sur ▶ pour la rendre plus rougeâtre.

MAG-GRN : Appuyez sur ◀ pour donner plus de magenta à la photo et sur ▶ pour la rendre plus verdâtre.

YEL-BLU : Appuyez sur ◀ pour donner plus de jaune à la photo et sur ▶ pour la rendre plus bleuâtre.

DARK : Appuyez sur ▶ pour assombrir les parties sombres de la photo.

LIGHT : Appuyez sur ▶ pour éclaircir les parties claires de la photo.

GAMMA : Appuyez sur ◀ pour éclaircir la tonalité couleur de toute la photo et sur ▶ pour la foncer.

SHARPNESS : Appuyez sur ▶ pour rendre les bords de la photo plus nets.

- 5 Appuyez sur la touche de commande ▲ ou ▼ pour sélectionner OK, puis appuyez sur la touche ENTER.
L'écran de guide d'impression apparaît.

- 6 Appuyez sur la touche de commande ▲ ou ▼ pour sélectionner GUIDE IMPRES-RGB or GUIDE IMPRES-DLGm, puis appuyez sur la touche ENTER.
La photo guide est imprimée. La photo en cours de lecture ou celle prise immédiatement avant est utilisée comme photo guide.

Pour les détails sur la fonction de guide d'impression, reportez-vous à « Fonction Guide d'impression » en page 117.

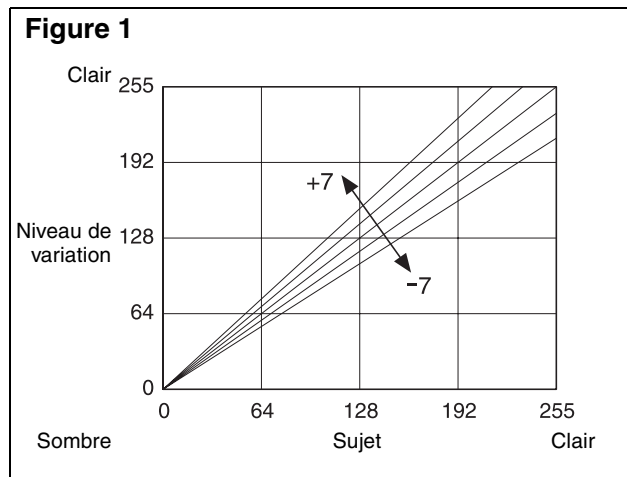
- 7 Appuyez sur la touche MENU.
Le menu REGLAGE réapparaît.
Vérifiez la photo guide imprimée à l'étape précédente. Si nécessaire, répétez les étapes à partir de l'étape 2 et réglez la qualité de l'image.

Pour régler la qualité d'image des impressions en noir & blanc

Après avoir appuyé sur la touche MENU à l'étape 2 de « Pour régler la qualité d'image des impressions couleur », appuyez sur la touche de commande ▼. L'appareil-photo se met en mode de réglage de la qualité d'image pour le noir & blanc et l'écran REGLAGE B&W apparaît. La procédure de réglage de la qualité d'image est la même que celle pour les impressions couleur.

Explication des paramètres de réglage de la qualité d'image

Les variations de la qualité d'image lorsque les paramètres R, G et B sont modifiés



Réglage CYN-RED (paramètre R)

Vous pouvez régler les composants couleur cyan et rouge. Le réglage par défaut est 0.

Appuyez sur la touche de commande ► de l'appareil-photo pour augmenter la valeur à 1, 2 ... 7, ce qui augmente la valeur du composant rouge dans la photo dans la direction linéaire d'augmentation de la clarté tel qu'indiqué dans la figure 1. Ceci donne plus de rouge comme si une lumière rouge est émise. Par contre, la valeur maximale de clarté effective est de 255. Si la valeur dépasse 255, une saturation se produit. Si cela se produit, la zone blanche saturée reste blanche même si la valeur est encore augmentée.

Appuyez sur la touche de commande ◀ de l'appareil-photo pour diminuer la valeur à -1, -2 ... -7, ce qui diminue la valeur du composant rouge dans la photo dans la direction linéaire de diminution de la clarté tel qu'indiqué dans la figure. L'augmentation de la clarté assombrit la couleur rouge et réduit la tonalité rougeâtre. La couleur complémentaire cyan (bleu clair) est ajoutée. Dans ce cas, la zone blanche devient bleuâtre.

Réglage MAG-GRN (paramètre G)

Vous pouvez régler les composants couleur magenta et vert. Le réglage par défaut est 0.

Appuyez sur la touche de commande ► de l'appareil-photo pour augmenter la valeur à 1, 2 ... 7, ce qui augmente la valeur du composant vert dans la photo dans la direction linéaire d'augmentation de la clarté tel qu'indiqué dans la figure 1. Ceci donne plus de vert comme si une lumière verte est émise. Par contre, la valeur maximale de clarté effective est de 255. Si la valeur dépasse 255, une saturation se produit. Si cela se produit, la zone blanche saturée reste blanche même si la valeur est encore augmentée.

Appuyez sur la touche de commande ◀ de l'appareil-photo pour diminuer la valeur à -1, -2 ... -7, ce qui diminue la valeur du composant vert dans la photo dans la direction linéaire de diminution de la clarté tel qu'indiqué dans la figure. L'augmentation de la clarté assombrit la couleur verte et réduit la tonalité verdâtre. La couleur complémentaire magenta (rouge violacé) est ajoutée. Dans ce cas, la zone blanche devient légèrement magenta.

Réglage YEL-BLU (paramètre B)

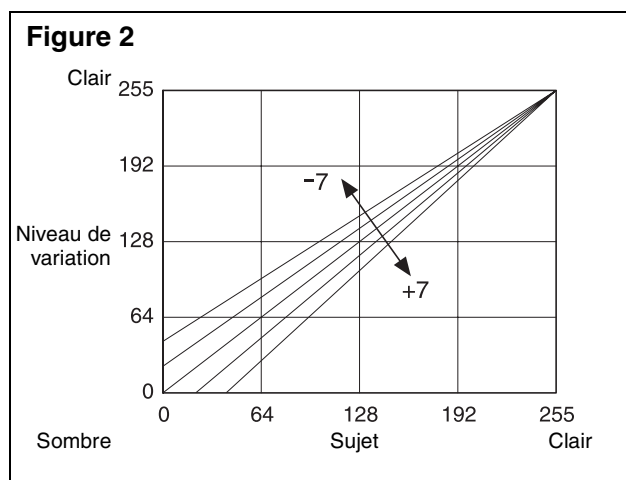
Vous pouvez régler les composants couleur jaune et bleu. Le réglage par défaut est 0.

Excepté certaines spécifications spéciales, ce réglage n'est pas possible lorsque B&W est sélectionné.

Appuyez sur la touche de commande ► de l'appareil-photo pour augmenter la valeur à 1, 2 ... 7, ce qui augmente la valeur du composant bleu dans la photo dans la direction linéaire d'augmentation de la clarté tel qu'indiqué dans la figure 1. Ceci donne plus de bleu comme si une lumière bleue est émise. Par contre, la valeur maximale de clarté effective est de 255. Si la valeur dépasse 255, une saturation se produit. Si cela se produit, la zone blanche saturée reste blanche même si la valeur est encore augmentée.

Appuyez sur la touche de commande ◀ de l'appareil-photo pour diminuer la valeur à -1, -2 ... -7, ce qui diminue la valeur du composant bleu dans la photo dans la direction linéaire de diminution de la clarté tel qu'indiqué dans la figure. L'augmentation de la clarté assombrit la couleur bleue et réduit la tonalité bleuâtre. La couleur complémentaire jaune est ajoutée. Dans ce cas, la zone blanche devient jaunâtre.

Les variations de la qualité d'image lorsque les paramètres D, L et Gm sont modifiés



Réglage DARK (paramètre D)

Vous pouvez régler les zones sombres. Le réglage par défaut est 0.

Appuyez sur la touche de commande ► de l'appareil-photo pour augmenter la valeur à 1, 2 ... 7, ce qui augmente la zone sombre de chaque donnée RGB simultanément dans la direction linéaire d'augmentation de profondeur tel qu'indiqué dans la figure 2. Ceci donne plus de profondeur. Par contre, la valeur maximale d'assombrissement effectif est de 0. Si la valeur est inférieure à 0, une saturation se produit. Appuyez sur la touche de commande ◀ pour diminuer la valeur à -1, -2 ... -7, ce qui éclaircit la zone sombre de chaque donnée RGB et diminue l'assombrissement.

Réglage LIGHT (paramètre L)

Vous pouvez régler les zones claires. Le réglage par défaut est 0.

Appuyez sur la touche de commande ► de l'appareil-photo pour changer les paramètres R, G et B tel qu'indiqué dans la figure 1, ce qui augmente la zone claire de chaque donnée RGB simultanément dans la direction linéaire d'augmentation de clarté. Ceci donne une qualité de surexposition à la photo.

Appuyez sur la touche de commande ◀ pour assombrir la zone claire de chaque donnée RGB et vous donner une photo qui paraît sous-exposée.

Réglage GAMMA (paramètre GM)

Vous pouvez régler la valeur gamma. Le réglage par défaut est 0.

Appuyez sur la touche de commande ► de l'appareil-photo pour augmenter la demi-teinte de chaque donnée RGB avec l'augmentation de la netteté.

Appuyez sur la touche de commande ◀ pour diminuer la demi-teinte de chaque donnée RGB avec l'augmentation de l'assombrissement.

Réglage SHARPNESS

Vous pouvez régler la netteté des photos.

Appuyez sur la touche de commande ► de l'appareil-photo pour augmenter la valeur de 0 à 1, 2 ... 7, pour accentuer les bords des photos. Nous vous recommandons de régler une petite valeur lorsque le format d'impression est petit.

SHARPNESS

Le réglage SHARPNESS est une fonction qui émet d'accentuer les bords des photos. Cette fonction ne peut pas être utilisée pour augmenter la résolution. Elle est destinée à modifier la netteté.

SHARPNESS peut être utilisé comme paramètre pour améliorer les photos mais si la netteté est trop accentuée, ceci ne donne pas de photos naturelles. En général, nous vous recommandons le réglage par défaut. Lorsqu'un grand format d'impression est utilisé et SHARPNESS est réglé sur une grande valeur, la qualité de l'image paraît améliorée.

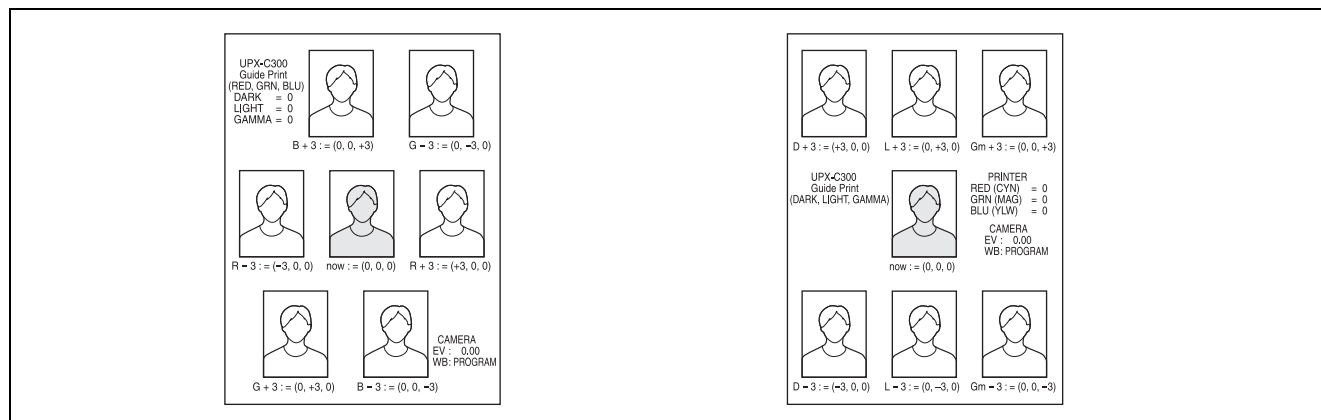
Contraste

En plus de la fonction de netteté, il est possible d'ajouter de la netteté à l'image en augmentant le contraste entre le sombre et le clair. Le contraste peut être réglé en utilisant les articles DARK et LIGHT dans l'écran de menu. L'augmentation des valeurs DARK et LIGHT augmente le contraste et vous obtenez une image à contraste élevé. Par contre, l'augmentation des valeurs de contraste diminue la quantité d'informations sur les tonalités noir et blanc et donne par conséquent une gradation grossière de noir et blanc. Il est donc nécessaire d'avoir un réglage de contraste approprié. Nous vous recommandons de régler le contraste sur +2 ou +3.

Fonction Guide d'impression

La mise en page GUIDE IMPRES.-RGB ou GUIDE IMPRES.-DLGm vous permet d'imprimer une photo guide avec les paramètres RGB et DLGm modifiés.

Les photos guides peuvent être imprimées sur du papier de la série UPC-X46 et UPC-X34. Voici un exemple de photo guide imprimée.

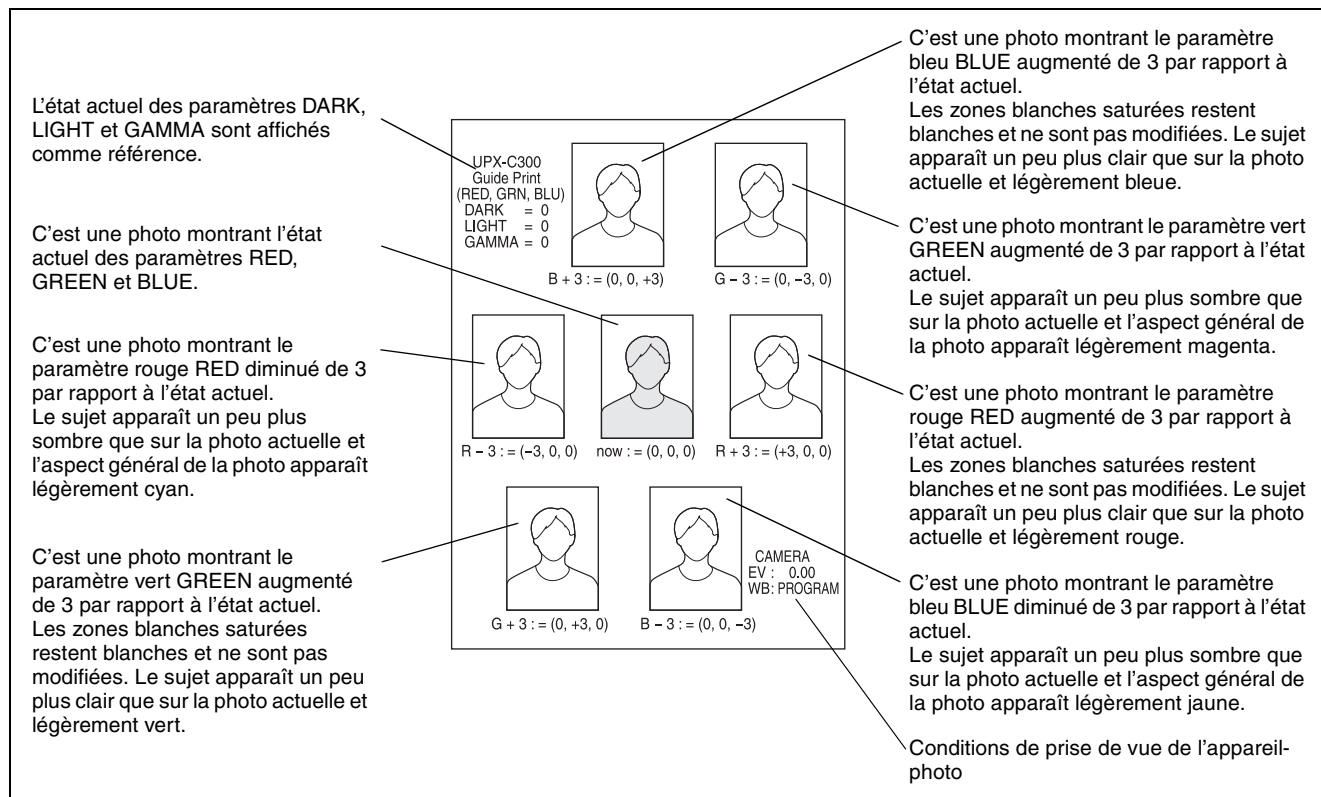


GUIDE IMPRES.-RGB (réglage des paramètres RGB)

La sélection de la mise en page GUIDE IMPRES.-RGB vous permet d'imprimer une photo guide (simulation de réglage) pour les paramètres RGB. Puisque la photo imprimée est celle affichée sur l'écran de l'appareil-photo, vous pouvez tout de suite régler la qualité

d'impression tout en la regardant.

La photo au centre est imprimée en utilisant les valeurs de réglage de la tonalité de couleur actuelle. Six images de couleurs différentes sont imprimées autour de cette photo.



Les valeurs sous chacune des photos correspondent aux paramètres R, G et B. Si, par exemple, vous voulez utiliser la tonalité de couleur en haut à gauche de la figure ci-dessus, réglez le paramètre B sur +3 car (RED, GREEN, BLUE) = (0, 0, +3).

Si vous voulez régler plus (RED, GREEN, BLUE) = (0, 0, +3), réglez le paramètre B sur +3 et imprimez un autre GUIDE IMPRES.-RGB. Ceci vous donne une simulation de chaque variation de couleur avec (RED, GREEN, BLUE) = (0, 0, +3) au centre.

GUIDE IMPRES.-RGB (réglage des paramètres DLGm)

La sélection de la mise en page GUIDE IMPRES.-DLGm vous permet d'imprimer un guide couleur pour les paramètres DLGm. Puisque la photo imprimée est celle affichée sur l'écran de l'appareil-photo, vous pouvez tout de suite régler la qualité d'impression tout en la regardant.

La photo au centre est imprimée en utilisant les valeurs de réglage de la tonalité de couleur actuelle. Six images de couleurs différentes sont imprimées autour de cette photo.

C'est une photo montrant le paramètre sombre DARK augmenté de 3 par rapport à l'état actuel. Avec une mise au point sur les parties profondes, on obtient une photo avec plus de profondeur de l'actuelle.

C'est une photo montrant le paramètre clair LIGHT augmenté de 3 par rapport à l'état actuel. Les zones claires paraissent plus claires que sur la photo actuelle.

C'est une photo montrant le paramètre GAMMA augmenté de 3 par rapport à l'état actuel. Les demi-teintes deviennent légèrement plus sombres que sur la photo actuelle.

C'est une photo montrant le paramètre clair LIGHT diminué de 3 par rapport à l'état actuel. Les zones claires paraissent légèrement plus foncées que sur la photo actuelle.

C'est une photo montrant le paramètre sombre DARK diminué de 3 par rapport à l'état actuel. Les zones sombres paraissent plus claires comme si la photo était prise dans un endroit clair.

L'état actuel des paramètres RED, GREEN et BLUE sont affichés comme référence.

Conditions de prise de vue de l'appareil-photo

C'est une photo montrant le paramètre GAMMA diminué de 3 par rapport à l'état actuel. Les demi-teintes deviennent légèrement plus claires que sur la photo actuelle.

Les valeurs sous chacune des photos correspondent aux paramètres D, L et Gm. Si, par exemple, vous voulez utiliser la tonalité en haut à gauche de la figure ci-dessus, réglez le paramètre D sur +3 car (DARK, LIGHT, GAMMA) = (+3, 0, 0).

Si vous voulez régler plus (DARK, LIGHT, GAMMA) = (+3, 0, 0), réglez le paramètre D sur +3 et imprimez un autre GUIDE IMPRES.-DLGm. Ceci vous donne une simulation de photo de chaque variation de couleur avec (DARK, LIGHT, GAMMA) = (+3, 0, 0) au centre.

Conseil sur le réglage des tonalités de couleur

La fonction de guide d'impression vous donne un guide général sur comment régler la tonalité couleur. Mais si vous maîtrisez ce qui suit, vous pouvez utiliser tout le potentiel de cette fonction.

Le guide d'impression peut aussi être utilisé pour les impressions en noir et blanc. Les photos en noir & blanc imprimées avec ce système, sont imprimées en superposant les les trois couleurs cyan, magenta et jaune pour obtenir du gris. Par conséquent, il est possible de ne pas obtenir une photo parfaitement achromatique et d'avoir parfois les couleurs visibles. Un guide d'impression noir & blanc peut être utilisé pour régler la balance entre les trois couleurs.

Couleurs complémentaires

Les photos sont faites avec les données de trois couleurs (données R, données G et données B). La fonction de réglage de tonalité de couleur peut être utilisée pour régler la balance entre les trois couleurs.

Lorsque le paramètre R est modifié, l'indication CYN-RED (cyan et rouge) apparaît sur le LCD. De même, l'indication MAG-GRN (magenta et vert) apparaît sur le LCD lorsque le paramètre G est modifié et l'indication YEL-BLU (jaune et bleu) apparaît sur le LCD lorsque le paramètre B est modifié.

Les couleurs cyan et rouge, magenta et vert et jaune et bleu sont complémentaires deux à deux. Par exemple, si le rouge augmente, le cyan s'éclaircit et si le rouge diminue, le cyan s'accroît.

Différence entre sélectionner + et -

Lorsque vous imprimez GUIDE IMPRES.-RGB avec chacun des paramètres RGB pour la photo au centre réglé sur 0, deux simulations de photo pour chaque paramètre RGB (avec le paramètre respectif réglé sur +3 et -3 et les deux autres sur 0) sont imprimés autour de la photo centrale. Voici une explication de la signification des symboles + et -.

Les données R, G et B qui constituent les données de la photo sont des valeurs numérisées représentant la puissance de la lumière de chaque couleur. Le réglage + permet d'accroître la lumière de la couleur

correspondante. Le réglage - permet de baisser la lumière de la couleur correspondante. La saturation des données (lumière) peut être obtenue avec le réglage +. Lorsque vous avez besoin d'un arrière-plan blanc, cette caractéristique vous permet d'obtenir les résultats souhaités sans modifier le blanc.

• **Réglage dans le sens +**

Lorsque le paramètre R est réglé sur +3, par exemple, la lumière du composant rouge est accentuée, donnant un aspect un peu rouge à l'ensemble de la photo. Puisque la quantité de lumière augmente en même temps, la clarté de la photo augmente de la même quantité.

Par contre, certaines parties de la photo ne changent pas malgré l'accentuation de la lumière. Ceci comprend des parties de la photo n'ayant absolument aucun composant lumière (tel que les parties pur vert, cyan et bleu, leurs couleurs intermédiaires et les parties de noir profond) et les parties de la photo avec des composants de lumière saturée (tel que les parties de pur magenta, rouge, jaune, leurs couleurs intermédiaires et les parties de blanc éclatant).

• **Réglage dans le sens -**

Lorsque le paramètre R est réglé sur -3, par exemple, la lumière du composant rouge est diminuée, donnant un aspect un peu cyan (couleur complémentaire du rouge) à l'ensemble de la photo. Puisque la quantité de lumière diminue en même temps, l'assombrissement de la photo augmente de la même quantité.

Ce réglage diffère un peu du réglage + puisqu'un peu de cyan est ajouté aux parties dans lesquelles des composants clairs sont saturés tel que le pur rouge violacé (magenta), le rouge et le jaune ou leurs couleurs intermédiaires et le blanc éclatant. Ceci se produit dans les cas où l'arrière-plan est blanc ou le sujet est habillé en blanc.

Exemple spécifique 1 : Suppression du jaune

Pour supprimer le jaune du sujet, nous vous recommandons de régler le paramètre B sur une valeur + dans GUIDE IMPRES.-RGB.

Exemple spécifique 2 : Ajout de jaune

Pour ajouter du jaune au sujet, nous vous recommandons de régler le paramètre B sur une valeur - dans GUIDE IMPRES.-RGB. Toutefois, notez que le fait de baisser la lumière implique l'ajout d'un peu de jaune aux parties blanches. Pour éviter cela, réglez une valeur plus pour le paramètre L équivalente à la valeur moins réglée pour le paramètre B. Ceci a le même effet que le réglage de valeurs plus pour les paramètres R et G sans changer le paramètre B. Il faut noter que la clarté générale augmente.

Durées d'impression

Les durées d'impression diffèrent en fonction du format d'impression et du papier utilisé.

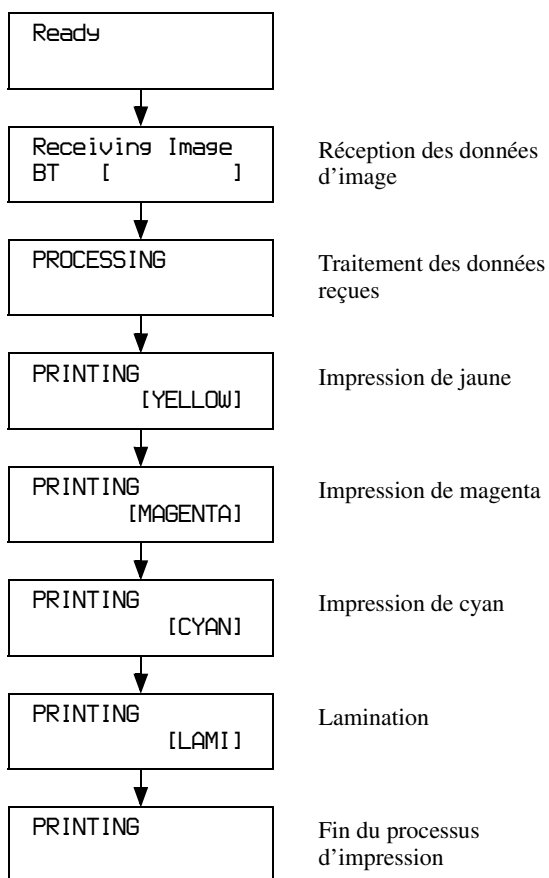
Durées d'impression

Ci-après des exemples de la durée approximative entre le moment de pression sur la touche PRINT de l'appareil-photo et celui où l'imprimante reçoit les données d'image et imprime une photo.

Imprimer papier	Résolution	Format d'impression	
		2 x 2 pouces	45 x 35 mm
Série UPC-X34	STD	Env. 83 sec	Env. 78 sec
	HIGH	Env. 83 sec	Env. 78 sec
Série UPC-X46	STD	Env. 120 sec	Env. 120 sec
	HIGH	Env. 120 sec	Env. 120 sec

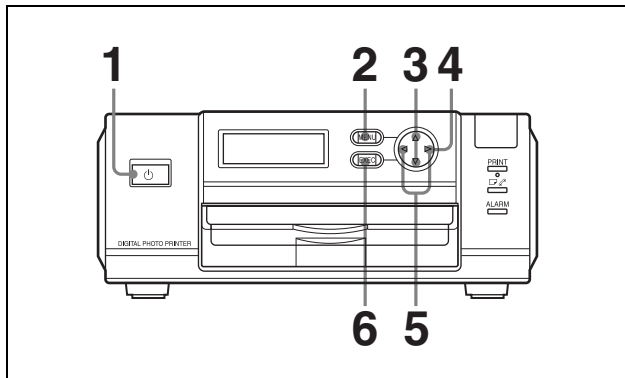
Affichage en cours d'impression

Lorsque vous imprimez une photo, l'opération en cours de traitement apparaît sur l'afficheur de l'imprimante tel qu'indiqué ci-dessous.



Réglage de la position d'impression (PRINT OFFSET)

Lorsque vous utilisez la série UPC-X46, vous pouvez régler la position d'impression par pas de 0,5 mm (1/32") pour que la photo imprimée soit correctement positionnée sur le papier d'impression.



- 1 Mettez l'imprimante sous tension.
- 2 Appuyez sur la touche MENU.
- 3 Appuyez sur la touche de commande ▲ ou ▼ pour afficher « PRINT SETTING [>>] » sur l'afficheur.
- 4 Appuyez sur la touche de commande ►.
L'écran PRINT OFFSET apparaît.
- 5 Sélectionnez une valeur de décalage en appuyant sur la touche de commande ◀ ou ▶.
- 6 Appuyez sur la touche EXEC.
La valeur de décalage sélectionnée à l'étape 5 est confirmée et l'écran PRINT SETTING réapparaît.

Imprimez une photo et vérifiez qu'elle est imprimée dans la position correcte du papier d'impression. Si un réglage supplémentaire est nécessaire, répétez les étapes ci-dessus.

Pour les détails sur l'impression d'une photo, reportez-vous à « Impression de la dernière prise de vue (à partir de l'écran de visualisation automatique après capture) » en page 92.

Pour quitter PRINT SETTING

Appuyez sur la touche MENU pour revenir sur l'écran READY.

Remarque


A la fin des réglages, assurez-vous d'appuyer sur la touche MENU pour revenir sur l'écran READY. Si l'écran READY ne revient pas, le message VERIFIER IMPRIMANTE apparaît sur le LCD de l'appareil-photo à la tentative d'impression qui ne peut être effectuée.

Réglage des fonctions Bluetooth

Technologie sans fil Bluetooth

La technologie sans fil Bluetooth¹⁾ permet la communication entre divers périphériques Bluetooth sans utilisation de câbles. Les appareils utilisant cette technologie comprennent les ordinateurs, les périphériques pour ordinateurs, les PDA et les téléphones mobiles. Le système de communication omnidirectionnel permet la communication même lorsque le périphérique Bluetooth se trouve dans un sac ou lorsqu'il y a des obstacles entre les appareils. De même, la technologie Bluetooth possède des fonctions de sécurité avancées, tel que les fréquences brouillées et le chiffage des données.

- Lors de l'utilisation de la fonction Bluetooth, la distance entre l'appareil-photo et l'imprimante à raccorder doit être comprise dans une plage de 10 m (33 pieds) sans obstacles.

1) La  Bluetooth[®] marque de fabrique appartient à son propriétaire et est utilisée par Sony Corporation sous licence. Le mot Bluetooth est imprimé en texte normal dans ce document.

Le profil d'infographie basique « Basic Imaging Profile »

Le « Basic Imaging Profile » (BIP) est le profil d'application utilisé pour envoyer et recevoir les images fixes entre les périphériques Bluetooth. Les caractéristiques principales du BIP permettent d'envoyer ou de recevoir des images et d'utiliser la fonction d'obturateur à distance d'un appareil-photo numérique.

Pour se connecter à l'imprimante, le périphérique Bluetooth doit être compatible avec « Image Push Feature » du profil « Basic Imaging Profile » (BIP). Avant d'utiliser le périphérique Bluetooth, vérifiez les spécifications Bluetooth et BIP du périphérique.

Adresse Bluetooth

Un code à 12 chiffres composé de caractères numériques de 0 à 9 et alphabétiques (A à F) est attribué à chaque périphérique Bluetooth. C'est un code spécifique pour chaque périphérique Bluetooth et est appelé adresse Bluetooth ou ID Bluetooth. L'adresse Bluetooth sert à distinguer chaque périphérique et donc il n'est pas possible d'attribuer le même code à plusieurs périphériques ni de le changer.

Authentification de clé d'identification

Une clé d'identification est utilisée pour authentifier deux périphériques Bluetooth n'ayant pas été connectés l'un à l'autre auparavant. Ceci pour créer une relation de confiance entre-eux.

Vous devez entrer les mêmes caractères ou chiffres (passkey) pour chaque périphérique dans le processus d'authentification de clé d'identification. Le UPX-C300 système utilise un numéro à 4 chiffres comme clé d'identification.

Une fois la même clé réglée pour les périphériques, le processus d'authentification pour la connexion doit être effectué.

Certains périphériques Bluetooth nécessitent une nouvelle clé d'identification lorsque la période valide d'authentification est expirée, le fichier de connexion est supprimé ou le réglage de sécurité modifié. La clé d'identification peut être requise, en fonction du périphérique, à chaque tentative de connexion. Une fois l'authentification des périphériques confirmée dans le UPX-C300 système, l'enregistrement de connexion de chaque périphérique est répertorié dans un fichier de connexion. Après cela, vous pouvez connecter les périphériques sans entrer de clé d'identification. Si vous souhaitez changer la clé d'identification, supprimez, tout d'abord, le fichier de connexion du périphérique connecté, puis enregistrez de nouveau les périphériques pour une ré-authentification. Cette clé d'identification est aussi connue sous « Passkey Bluetooth », etc. « PIN » est aussi utilisé dans le même sens.

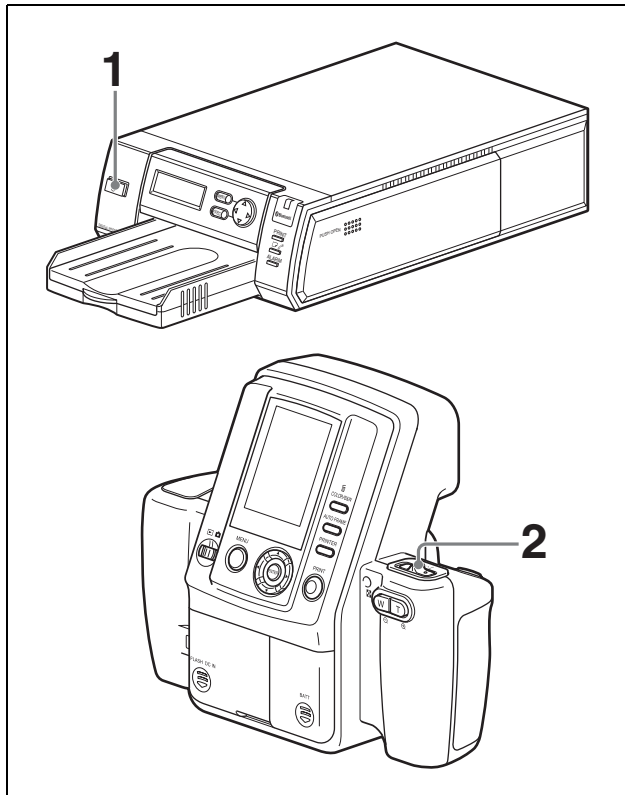
Changement des réglages de la clé d'identification (passkey)

Vous pouvez changer la clé tel que requis. Dans le UPX-C300 et l'imprimante photo numérique UP-DX100 disponible séparément, la même clé d'identification a été réglée en usine. Pour la sécurité de communication, il est recommandé de changer la clé d'identification pour votre système.

Pour les détails sur la modification des réglages, reportez-vous à « Changement de la clé d'identification » en page 123.

Connexion Bluetooth

Dans le UPX-C300 système, l'imprimante et l'appareil-photo sont préréglés en usine, ainsi l'appareil-photo recherche automatiquement l'imprimante pour se connecter lorsque les deux sont mis sous tension. Mettez l'appareil-photo et l'imprimante sous tension selon les procédures suivantes :



- 1** Mettez l'imprimante sous tension. Vérifiez que « Ready BT RSSI [- - - -] » est affiché sur l'afficheur.
- 2** Réglez le commutateur on/attente de l'appareil-photo sur I (on). L'appareil-photo démarre la recherche de l'imprimante et « Découverte périph » s'affiche sur le LCD de l'appareil-photo. Dès l'établissement de la connexion entre l'appareil-photo et l'imprimante, le message change pour afficher « Périph découvert » et le nom ainsi que l'adresse Bluetooth de l'imprimante connectée s'affichent en noir.

Pour arrêter la recherche

Appuyez sur la touche MENU lorsque le message « Découverte périph » est affiché sur le LCD de l'appareil-photo. « ANNULATION EN COURS » s'affiche et la recherche est interrompue. Si plusieurs imprimantes sont connectées, la recherche des autres imprimante est aussi interrompue.

Si la connexion échoue

Le message « Pas découvert » s'affiche sur le LCD de l'appareil-photo et le nom de l'imprimante ainsi que l'adresse Bluetooth restent affichés en gris. Même avec l'échec de la connexion, la prise de vue et la lecture peuvent être effectuées sur l'appareil-photo.

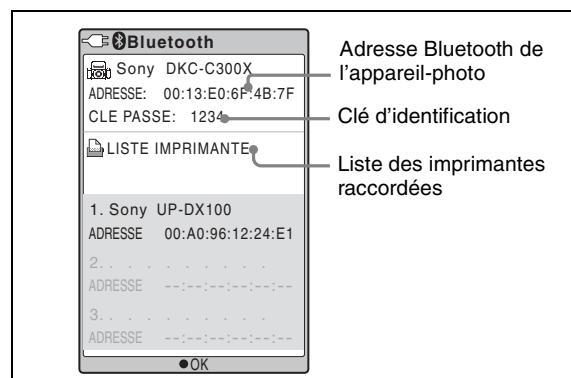
En cas d'échec de la connexion, avant toute nouvelle tentative de connexion, vérifiez ce qui suit, puis appuyez sur la touche PRINT. Le message « Reconnexion » s'affiche et la reconnexion démarre.

- L'imprimante est mise sous tension.
- Le module Bluetooth de l'appareil-photo et l'imprimante est réglé sur ON.
- Il n'y a aucun obstacle à la transmission de données entre l'appareil-photo et l'imprimante.

Pour l'utilisation avec plusieurs imprimantes raccordées, reportez-vous aussi à « Fonctionnement avec plusieurs imprimantes » en page 128.

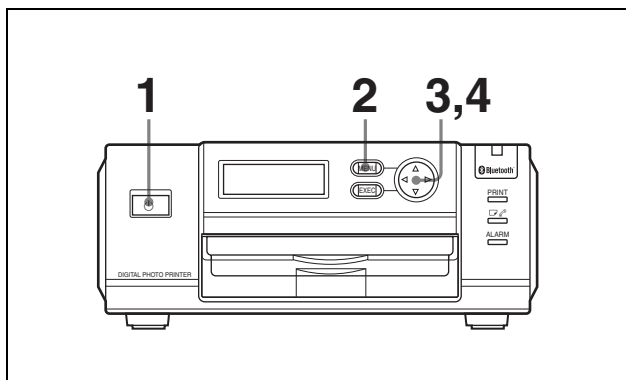
Vérification de l'état de connexion Bluetooth de l'appareil-photo (PROPRIETE)

- 1** Afficher le menu REGLAGE.
Pour les détails, reportez-vous à « Affichage du menu REGLAGE » en page 98.
- 2** Appuyez sur ▲ ou ▼ de la touche de commande pour sélectionner Bluetooth.
- 3** Appuyez sur la touche ENTER. L'écran du menu Bluetooth apparaît.
- 4** Appuyez sur ▲ ou ▼ de la touche de commande pour sélectionner PROPRIETE.
- 5** Appuyez sur la touche ENTER. Les informations Bluetooth pour l'appareil-photo sont affichées. Vous pouvez faire défiler la liste d'imprimantes avec ▲ ou ▼ de la touche de commande.



Lorsque la touche ENTER est appuyée, l'affichage revient sur l'écran du menu Bluetooth.

Confirmation de l'adresse Bluetooth de l'imprimante



- 1 Mettez l'imprimante sous tension.
- 2 Appuyez sur la touche MENU.
- 3 Appuyez sur ▼ de la touche de commande pour afficher « Bluetooth SETTING[>>] ».
- 4 Appuyez sur ► de la touche de commande. L'adresse Bluetooth apparaît.

Pour revenir sur Ready, appuyez sur la touche MENU.

Changement de la clé d'identification

La même clé d'identification est réglée en usine pour tous les appareils-photo et imprimantes. Pour changer la clé d'identification, réglez une nouvelle clé en suivant les procédures ci-dessous.

Une fois la nouvelle clé réglée, retirez l'enregistrement de l'imprimante et enregistrez-la de nouveau.

L'authentification de la nouvelle clé d'identification devient valide.

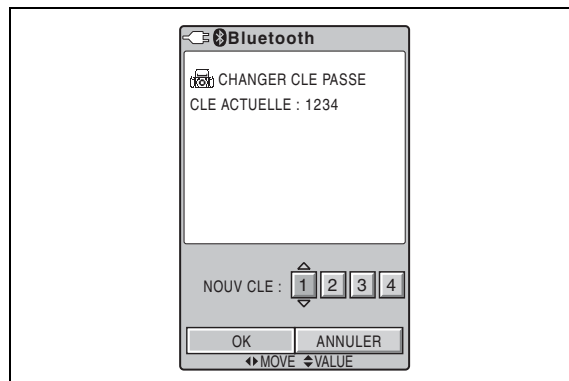
Pour les détails sur le retrait de l'imprimante, reportez-vous à « Retrait d'une imprimante » en page 128 et pour son enregistrement, à « Ajout/Enregistrement d'une imprimante » en page 126.

Changement de la clé d'identification de l'appareil-photo

- 1 Afficher le menu REGLAGE.

Pour les détails, reportez-vous à « Affichage du menu REGLAGE » en page 98.

- 2 Appuyez sur ▲ ou ▼ de la touche de commande pour sélectionner Bluetooth.
- 3 Appuyez sur la touche ENTER. L'écran du menu Bluetooth apparaît.
- 4 Appuyez sur ▲ ou ▼ de la touche de commande pour sélectionner CHANGER CLE PASSE.
- 5 Appuyez sur la touche ENTER. L'écran CHANGER CLE PASSE apparaît.



- 6 Appuyez sur ◀ ou ▶ de la touche de commande pour sélectionner un chiffre à changer.
- 7 Appuyez sur ▲ ou ▼ de la touche de commande pour régler la valeur. Vous pouvez utiliser une valeur de 0 à 9.

Répétez les étapes 6 et 7 ci-dessus pour régler une clé passe à quatre chiffres.

- 8 Appuyez sur ► de la touche de commande pour sélectionner OK.
- 9 Appuyez sur la touche ENTER. Une nouvelle clé d'identification est réglée et l'affichage revient sur le menu Bluetooth.

Pour annuler le changement du réglage de la clé d'identification

A l'étape 8 ci-dessus, sélectionnez ANNULER au lieu de OK, puis appuyez sur la touche ENTER.

Changement de la clé d'identification de l'imprimante

- 1 Mettez l'imprimante sous tension. « Ready BT RSSI [- - - -] » apparaît sur l'afficheur.
- 2 Appuyez sur la touche MENU.
- 3 Appuyez sur ▼ de la touche de commande pour afficher « Bluetooth SETTING[>>] ».

- 4** Appuyez sur ► de la touche de commande.
« Bluetooth ADDR » apparaît.
- 5** Appuyez sur ▼ de la touche de commande pour afficher « PASSKEY INPUT [>>] ».
- 6** Appuyez sur ► de la touche de commande.
« PASSKEY INPUT <1> [X:X:X:X] » apparaît.
(<1> : chiffre actuel à régler comme,
[X:X:X:X] : clé d'identification)
- 7** Appuyez sur ◀ ou ► de la touche de commande pour sélectionner un chiffre de la clé d'identification à changer.
Ce <1> montre le chiffre le plus à gauche et <4> celui le plus à droite.
- 8** Appuyez sur ▲ ou ▼ de la touche de commande pour régler la valeur de la clé d'identification.
Vous pouvez utiliser une valeur de 0 à 9.

Répétez les étapes **7** et **8** jusqu'à régler la clé d'identification à quatre chiffres.
- 9** Appuyez sur la touche EXEC.
« PASSKEY INPUT Saving... » apparaît et votre réglage de la clé d'identification est enregistré.
- 10** Lorsque le réglage est terminé, appuyez sur la touche MENU.


Réglage de l'alimentation du module

L'alimentation du module Bluetooth doit être réglée sur ON pour connecter l'appareil-photo et l'imprimante à l'aide de la fonction Bluetooth. Si elle est réglée sur OFF, la connexion Bluetooth entre les périphériques n'est pas possible.

Changement du réglage de l'alimentation du module de l'appareil-photo

- 1** Afficher le menu REGLAGE.
Pour les détails, reportez-vous à « Affichage du menu REGLAGE » en page 98.
- 2** Appuyez sur ▲ ou ▼ de la touche de commande pour sélectionner Bluetooth.
- 3** Appuyez sur la touche ENTER.
L'écran du menu Bluetooth apparaît.
- 4** Appuyez sur ▲ ou ▼ de la touche de commande pour sélectionner MODULE.

- 5** Appuyez sur la touche ENTER.
L'écran ALIM MODULE BT apparaît.
- 6** Vérifiez si ON ou OFF est sélectionné, puis appuyez sur la touche ENTER.
L'affichage revient sur l'écran du menu Bluetooth.

Lorsque l'alimentation du module de l'appareil-photo est réglé sur ON, l'icône  (Bluetooth) apparaît en haut à gauche du LCD à droite de l'indicateur d'alimentation.

Changement du réglage de l'alimentation du module de l'imprimante

- 1** Mettez l'imprimante sous tension.
- 2** Appuyez sur la touche MENU.
- 3** Appuyez sur ▼ de la touche de commande pour afficher « Bluetooth SETTING[>>] ».
- 4** Appuyez sur ► de la touche de commande.
« Bluetooth ADDR » apparaît.
- 5** Appuyez sur ▼ de la touche de commande pour afficher « MODULE POWER [>>] ».
- 6** Appuyez sur ► de la touche de commande.
- 7** Appuyez sur ◀ ou ► de la touche de commande pour sélectionner ON ou OFF.
- 8** Appuyez sur la touche EXEC.

Si le réglage de l'alimentation du module est changé de ON à OFF, le témoin Bluetooth s'éteint et « Ready » apparaît sur l'afficheur de l'imprimante. L'appareil-photo considère l'imprimante comme celle ayant le nom et l'adresse Bluetooth affichés en gris.

Si le réglage de l'alimentation du module de l'imprimante est changé de OFF à ON, « REBOOTING » s'affiche sur l'affichage et l'imprimante redémarre. Après du démarrage de l'imprimante, le témoin Bluetooth s'allume et « Ready BT RSSI [----] » apparaît sur l'afficheur. Pour allumer l'appareil-photo, appuyez sur la touche PRINT de l'appareil-photo et rétablissez la reconnexion.

Attribution d'un numéro de périphérique à l'imprimante

Lorsque 2 imprimantes ou plus sont utilisées dans ce système, il est préférable que chaque imprimante possède un numéro de périphérique (entre 1 et 9).

- 1** Mettez l'imprimante sous tension.
« Ready BT RSSI [- - -] » apparaît sur l'afficheur.
- 2** Appuyez sur la touche MENU.
- 3** Appuyez sur ▼ de la touche de commande pour afficher « Bluetooth SETTING[>>] ».
- 4** Appuyez sur ► de la touche de commande.
- 5** Appuyez sur ▼ de la touche de commande pour afficher « MY DEVICE NAME [>>] ».
- 6** Appuyez sur ► de la touche de commande.
« Sony UP-DX100 [NONE-9: EXEC] » apparaît.
- 7** Appuyez sur ▲ ou ▼ de la touche de commande pour régler le numéro de périphérique.
- 8** Appuyez sur la touche EXEC.
« DEVICE NAME Saving. . . » apparaît et le numéro de périphérique que vous avez réglé est enregistré.
- 9** Lorsque le réglage est terminé, appuyez sur la touche MENU.

Vérification de l'historique de connexion de l'imprimante

- 1** Mettez l'imprimante sous tension.
- 2** Appuyez sur la touche MENU.
- 3** Appuyez sur ▼ de la touche de commande pour afficher « Bluetooth SETTING[>>] ».
- 4** Appuyez sur ► de la touche de commande.
« Bluetooth ADDR » apparaît.
- 5** Appuyez sur ▼ de la touche de commande pour afficher « CONNECTION RECORD [>>] ».
- 6** Appuyez sur ► de la touche de commande.
Le nom et l'adresse Bluetooth des périphériques en cours de connexion avec l'imprimante sont affichés.
Pour faire défiler l'affichage et vérifier les informations sur d'autres périphériques, appuyez sur ▲ or ▼ de la touche de commande.

Pour revenir sur l'écran « CONNECTION RECORD [>>] », appuyez sur la touche EXEC.

Pour revenir sur l'écran Ready, appuyez sur la touche MENU.

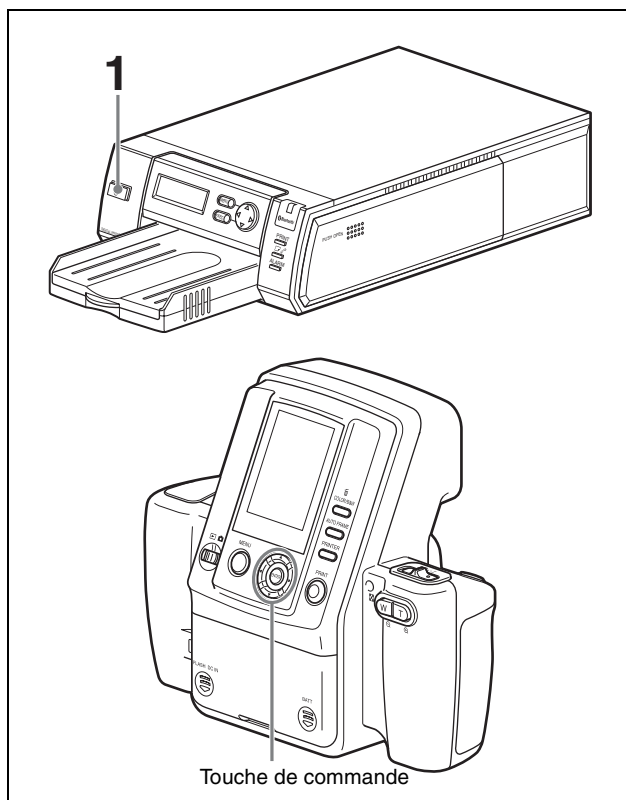
Ajout/Enregistrement d'une imprimante

Il est possible de connecter jusqu'à trois imprimantes avec la fonction Bluetooth dans le UPX-C300 système. Les imprimantes peuvent être ajoutées à l'aide du menu Réglage de l'appareil-photo.

Avant d'ajouter une imprimante, la même clé d'identification que celle de l'appareil-photo doit être attribuée à l'imprimante.

Si « Pas d'imprimante » est indiqué lorsque l'appareil-photo est mis sous tension, enregistrez l'imprimante de la manière suivante :

Pour les détails sur les réglages de la clé d'identification, reportez-vous à « Changement de la clé d'identification » en page 123.



1 Mettre l'imprimante supplémentaire à enregistrer sous tension.

2 Afficher le menu REGLAGE.

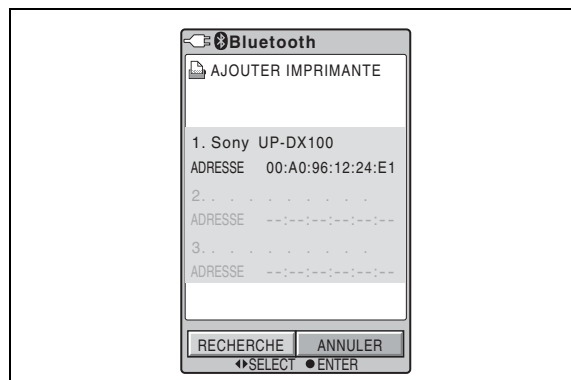
Pour les détails, reportez-vous à « Affichage du menu REGLAGE » en page 98.

3 Appuyez sur ▲ ou ▼ de la touche de commande pour sélectionner Bluetooth.

4 Appuyez sur la touche ENTER. L'écran du menu Bluetooth apparaît.

5 Appuyez sur ▲ ou ▼ de la touche de commande pour sélectionner AJOUTER IMPRIMANTE.

6 Appuyez sur la touche ENTER. L'écran AJOUTER IMPRIMANTE apparaît.



Si une ou deux autres imprimantes doivent être connectées, ajoutez-les tel qu'indiqué dans les étapes suivantes.

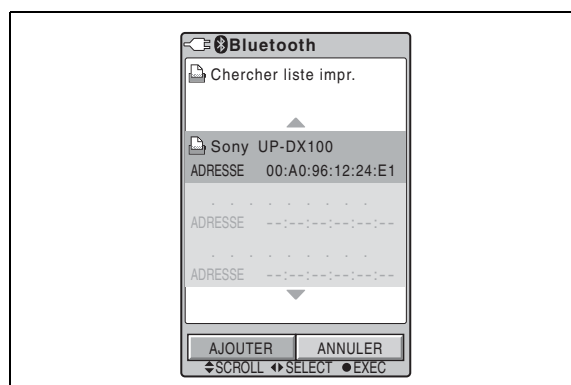
Si trois imprimantes sont déjà connectées, il faut supprimer une des imprimantes auparavant.

Pour les détails sur l'annulation d'une imprimante, reportez-vous à « Retrait d'une imprimante » en page 128.

7 Appuyez sur ◀ de la touche de commande pour sélectionner RECHERCHE, puis appuyez sur la touche ENTER. « Recherche en cours nouvelles imprimantes . . . » est affiché.

A la fin de la recherche, le nom et l'adresse Bluetooth de l'imprimante trouvée sont affichés en noir.

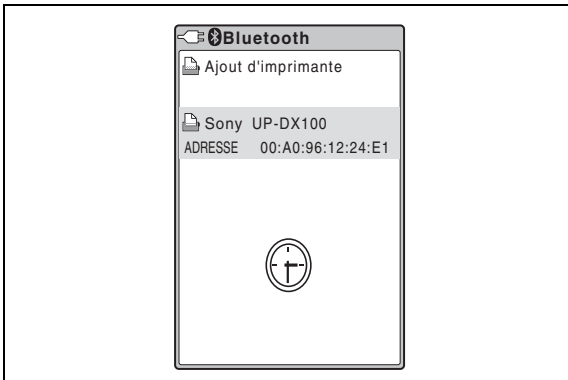
La recherche d'imprimante peut durer jusqu'à 60 secondes.



8 Appuyez sur ▲ ou ▼ de la touche de commande pour sélectionner une imprimante à ajouter.

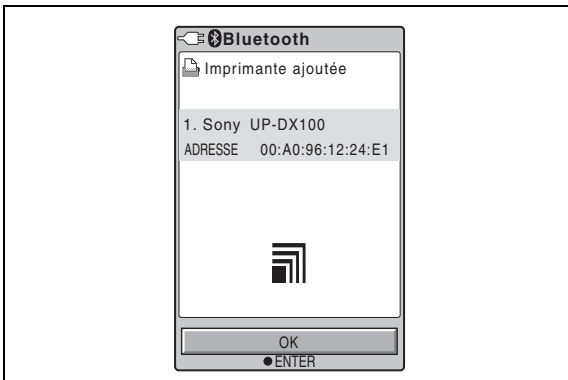
- 9** Appuyez sur la touche de commande ◀ ou ▶ pour sélectionner AJOUTER, puis appuyez sur la touche ENTER.

Lors du processus d'authentification de l'imprimante sélectionnée, une horloge est affichée.



A la fin du processus d'authentification, le nom de l'imprimante ajoutée est affiché. Au centre de l'affichage, un symbole RSSI (Received Signal Strength Indicator) est affiché et peut être utilisé comme guide pour régler les emplacements de l'appareil-photo et de l'imprimante.

- ▣ ▣ : La force de l'onde radio est bonne.
▣ ▣ : La force de l'onde radio est un peu faible et la transmission des données risque de prendre du temps.



- 10** Appuyez sur la touche ENTER.
La liste des imprimantes réapparaît.



Si vous désirez ajouter d'autres imprimantes, retournez à Chercher liste impr.

- 11** Appuyez de nouveau sur la touche ENTER.
L'affichage revient sur l'écran du menu Bluetooth.

Annulation de l'Ajout/Enregistrement de l'imprimante

Pour annuler l'Ajout/Enregistrement de l'imprimante, les deux méthodes suivantes sont disponibles :

- A l'étape 7, lorsque « Recherche en cours nouvelles imprimantes. . . » est affiché, appuyez sur la touche ENTER. La recherche est arrêtée et l'affichage revient sur l'écran du menu Bluetooth.
- A l'étape 9, sélectionnez ANNULER au lieu de AJOUTER, puis appuyez sur la touche ENTER. L'Ajout/Enregistrement de l'imprimante est annulé.

Si une imprimante ne peut être ajoutée/enregistrée

Les imprimantes ne peuvent pas être ajoutées/enregistrées dans les cas suivants :

- Trois imprimantes sont déjà connectées.
→ Supprimer une imprimante non utilisée.
- La clé d'identification de l'imprimante est différente de celle de l'appareil-photo.
→ Réglez la même clé d'identification (passkey) que celle de l'appareil-photo.

Si un message demandant la mise à jour de l'imprimante apparaît

Lorsque vous utilisez ce système, un message vous demandant de mettre à jour le microprogramme de l'imprimante peut apparaître sur le LCD de l'appareil-photo. Si le cas se présente, contactez votre concessionnaire Sony le plus proche.

Retrait d'une imprimante

- 1** Afficher le menu REGLAGE.
Pour les détails, reportez-vous à « Affichage du menu REGLAGE » en page 98.
- 2** Appuyez sur ▲ ou ▼ de la touche de commande pour sélectionner Bluetooth.
- 3** Appuyez sur la touche ENTER.
L'écran du menu Bluetooth apparaît.
- 4** Appuyez sur ▲ ou ▼ de la touche de commande pour sélectionner RETIRER IMPRIMANTE.
L'écran RETIRER IMPRIMANTE apparaît.
- 5** Appuyez sur ▲ ou ▼ de la touche de commande pour sélectionner une imprimante à retirer.
- 6** Appuyez sur ◀ ou ▶ de la touche de commande pour sélectionner RETIRER.
- 7** Appuyez sur la touche ENTER.
L'imprimante sélectionnée dans l'étape 5 est retirée et le nom de l'imprimante et l'adresse Bluetooth sont supprimés.
- 8** Appuyez de nouveau sur la touche ENTER.
L'affichage revient sur l'écran du menu Bluetooth.

Pour annuler le retrait de l'imprimante

A l'étape 6, sélectionnez ANNULER au lieu de RETIRER, puis appuyez sur la touche ENTER. Le retrait de l'imprimante est annulé et l'affichage revient sur le menu Bluetooth.

Fonctionnement avec plusieurs imprimantes

Dans un système utilisant plusieurs imprimantes, les opérations de base sont les mêmes qu'avec une seule imprimante. Si l'appareil-photo est mis sous tension après l'imprimante, l'appareil-photo recherche automatiquement les imprimantes enregistrées. Les noms et adresses Bluetooth de toutes les imprimantes avec lesquelles une connexion a été établie sont affichés en noir. Celles avec lesquelles la connexion a échoué sont affichées en gris.

Les imprimantes à utiliser peuvent être sélectionnées avec la touche PRINTER. Lorsqu'une imprimante connectée est sélectionnée, les conditions d'impression de l'imprimante sélectionnée sont affichées en blanc sur le LCD. Si une imprimante non connectée est sélectionnée, une alarme s'affiche en jaune.

Pour établir une connexion avec une imprimante non connectée, vérifiez tout d'abord que l'imprimante est mise sous tension et que le témoin Bluetooth est allumé. De plus, appuyez sur la touche PRINTER de l'appareil-photo et vérifiez que le nom de l'imprimante à connecter est affiché en jaune. Appuyez, ensuite, sur la touche PRINT. « Reconnexion. . . » est affiché et le processus de reconnexion démarre. Lorsque la reconnexion a été établie, en mode CAMERA, l'appareil-photo revient sur le mode d'enregistrement normal. Dans le mode PLAY ou visualisation automatique après capture, l'écran d'aperçu avant impression est affiché.

Pour démarrer l'impression, appuyez de nouveau sur la touche PRINT. La transmission des données d'image commence.

Si l'impression n'est pas requise, appuyez sur la touche MENU pour fermer l'écran d'aperçu avant impression.

Remarque

Lorsque vous utilisez la fonction de file d'attente d'impression, dans un système à plusieurs imprimantes, les images seront imprimées sur une seule imprimante.

Maintien des performances du système

Pour maintenir les performances du système, lisez la partie suivante.

Appareil-photo

Endroits d'utilisation et de rangement

L'utilisation ou le rangement de l'appareil-photo dans l'un des endroits suivants risquent de provoquer un mauvais fonctionnement. N'utilisez pas et ne rangez pas l'appareil-photo dans les endroits suivants.

- extrêmement chauds ou froids (température de fonctionnement de 5 °C à 35 °C (41 °F à 95 °F))
- soumis à des durées longues d'exposition au soleil ou à proximité d'appareils de chauffage
- avec beaucoup d'humidité ou de poussière
- exposés à la pluie
- exposés à de fortes vibrations
- à proximité de fortes sources magnétiques
- à proximité de sources de fortes ondes électromagnétiques tel que téléviseur ou émetteur radio

Dissipation de chaleur

Ne couvrez pas l'appareil-photo (avec un tissu par exemple) au risque d'augmenter la température interne et provoquer une panne.

Transport

Pour transporter l'appareil-photo, rangez-le dans le carton fourni et rembourré ou tout emballage similaire et faites attention à ne pas l'exposer à de fortes vibrations mécaniques.

Prise de photos tests

Effectuez quelques tests de prises de vue pour vérifier que les photos sont normales.

Objectif

Faites attention de ne pas cogner ou appuyer contre l'objectif lors de la prise de vue.

Ne touchez pas la surface de l'objectif.

Imprimante

Précautions

- Si vous ne pensez pas utiliser l'imprimante pendant une longue période, mettez-la en mode d'attente et débranchez le cordon d'alimentation de la prise murale.
- Pour transporter l'imprimante, retirez tous les accessoires, Pour éviter de provoquer un mauvais fonctionnement.

Condensation

Si l'imprimante est déplacée d'un endroit à faible humidité à un endroit chaud ou si elle est placée dans une pièce avec un chauffage qui génère de la vapeur et de l'humidité, des gouttes d'eau risquent de se former à l'intérieur de l'imprimante. Ce phénomène est appelé condensation. Si l'imprimante est utilisée dans cet état, elle risque de ne pas fonctionner correctement et même de tomber en panne. S'il y a un risque de condensation, débranchez l'imprimante et laissez-la reposer pendant un moment.

Nettoyage

- Vérifiez de mettre l'appareil hors tension et de le débrancher avant de le nettoyer.
- Utilisez un souffleur pour retirer la saleté et la poussière de la surface de l'objectif.
- Utilisez un chiffon doux et sec pour essuyer doucement l'extérieur. Si l'extérieur est très sale, utilisez un chiffon imbibé d'une solution détergente douce pour le nettoyer, puis essuyez-le avec un chiffon sec.
- N'utilisez pas de substances volatiles tel que l'alcool, le benzène, du solvant ou un insecticide car ceci risque d'endommager la finition et d'effacer les indications sur l'appareil.

Spécifications

Appareil-photo

Général

Alimentation électrique	fournie de l'adaptateur d'alimentation AC (5,0 V DC) ou des piles Sony NH-AA (max. 2700 mAh)
Courant d'entrée	1,65 A max. (avec l'adaptateur d'alimentation AC)
Température de fonctionnement	5 °C à 35 °C (41 °F à 95 °F)
Température de rangement	-20 °C à +60 °C (-4 °F à +140 °F)
Humidité de fonctionnement	20% à 80% (sans condensation)
Dimensions (L/H/P)	222 × 194 × 102 mm (8 3/4 × 7 3/4 × 4 1/8 pouces)
Poids	Env. 900 g (2 li.)

Système

Appareil-photo	type fixe numérique
Système d'enregistrement/lecture	Trame numérique
Système de compression/décompression de données	Système de ligne de base JPEG
Support d'enregistrement	Mémoire flash interne de 64 MB
Eléments d'image	Elément d'image monolithique CCD 1/2,5 pouces 8 M
Résolution d'enregistrement	3264 × 2448 pixels (HIGH) 1632 × 1224 pixels (STD)
Capacité d'enregistrement	env. 30 images ou plus (résolution élevée) env. 120 images ou plus (résolution standard)
Nombre de prises de vue (avec Typ. 2000 mAh/Min. piles Sony NH-AA à nickel hydride 1900 mAh)	Env. 40 prises de vue dans les conditions suivantes : - Température : 25 °C - Conditions de prise de vue : 1) Réglez le zoom sur WIDE, TELE puis de nouveau sur WIDE après la mise sous tension; 2) prenez deux photos au flash; 3) imprimez une image; 4) entrez en mode d'économie d'énergie après 10 minutes via ECONOMIE ENERGIE AUTO.

Les résultats peuvent varier selon les conditions de faible température et de prise de vue.

Méthode d'effacement	Effacement d'une photo, effacement de toutes les photos
Balance des blancs	Programme, One Push, 3000K à 7000K (tranches de 500K)
Vitesse d'obturation	1/2 à 1/1000 secondes
Sensibilité photographique	Équivalente à ISO 200 (P4, 0EV)
Moniteur LCD avec viseur LCD couleur TFT polysilicone froid à 3,0-pouces	230 000 pixels
Objectif	f = 12,5 à 25 mm, 2 fois (équivalent à un objectif de 75 à 150-mm avec un appareil-photo de 35 mm), autofocus Valeur F (ouvert) : F4,7 (en W) à F5,5 (en T)

Connecteurs externes

DC IN 5,0V	5,0 V DC
Borne Flash	Sync X

Imprimante

Alimentation électrique	100 à 240 V AC, 50/60 Hz
Courant d'entrée	1,1 A max. (en imprimant)
Température de fonctionnement	5 °C à 35 °C (41 °F à 95 °F)
Température de rangement/transport	-20 °C à +60 °C (-4 °F à +140 °F)
Humidité de fonctionnement	20% à 80% (sans condensation)
Dimensions maximales (L/H/P)	203 × 85 × 305 mm (8 × 3 3/8 × 12 1/8 pouces)
Poids	Env. 2,7 kg (5 li. 15 on.) (unité principale seule)
Méthode d'impression	Impression par transfert thermique par sublimation séquentielle (jaune, magenta, cyan, lamination)
Résolution d'impression	403 × 403 ppp
Tête thermique	403 points/pouce
Gradations d'impression	8 bits pour jaune, magenta, cyan
Durée d'impression	Série UPC-X46 : 100 sec./feuille Série UPC-X34 : 65 sec./feuille

Méthode d'alimentation du papier	Autochargement à partir du bac à papier
Capacité maximale du bac à papier	Série UPC-X46 : 25 feuilles Série UPC-X34 : 30 feuilles
Méthode d'éjection du papier	Ejection frontale Les feuilles sont éjectées dans l'ordre sur le bac à papier
Capacité d'impression de la cartouche ruban	Série UPC-X46 : 25 feuilles Série UPC-X34 : 30 feuilles
Entrées	AC IN (prise secteur)
Format d'impression maximal	Série UPC-X46 : 101,6 × 151,4 mm (4 × 6 1/8 pouces) (sans bord) Série UPC-X34 : 70,1 × 95,3 mm (2 7/8 × 3 7/8 pouces) (sans bord)
Pixels d'impression	Série UPC-X46 : 1664 × 2440 points Série UPC-X34 : 1112 × 1512 points

Spécifications Bluetooth

Type de communication (appareil-photo)	Spécifications Bluetooth, ver.2.0
Type de communication (imprimante)	Spécifications Bluetooth, ver.1.1
Vitesse maximale de transmission ¹⁾	Environ 723 Kbps
Sortie	Spécifications Bluetooth, Power Class 2
Distance de communication ²⁾	Env. 10 m (33 pi.) sans obstacles
Profil Bluetooth compatible ³⁾	Profil d'infographie basique (BIP) (Fonction : Image Push Feature)
Bande de fréquence	2,4 GHz (2,400 GHz – 2,4835 GHz)

1) Vitesse de transmission de données maximale basée sur les spécifications Bluetooth, Ver.1.1. Cette vitesse dépend de la distance entre les périphériques, les obstacles, les conditions des ondes radio, le logiciel d'application ou le système d'exploitation.

2) Cette distance dépend de la distance entre les périphériques, les obstacles, les conditions des ondes radio, le logiciel d'application ou le système d'exploitation.

3) Ces spécifications sont conformes avec l'utilisation prévue entre deux périphériques Bluetooth. Ceci est défini par les spécifications Bluetooth.

Adaptateur d'alimentation AC

Alimentation électrique	100 à 240 V AC, 50/60 Hz
Courant d'entrée	0,26 A
Sortie	5,0 V DC, 2,0 A en mode de fonctionnement

Température de fonctionnement	5 °C à 35 °C (41 °F à 95 °F)
Température de rangement	-20 °C à +60 °C (-4 °F à +140 °F)
Dimensions (L/H/P)	Env. 69 × 26 × 50 mm (2-3/4 × 1-1/16 × 2") (saillies comprises)
Poids	Env. 170 g (6,0 on)

Accessoires fournis

Bac à papier pour la série UPC-X46	(1)
Bac à papier pour la série UPC-X34	(1)
Couvercle du bac	(1)
Adaptateur d'alimentation AC UPA-AC05	(1)
Cassette de nettoyage	(1)
Mode d'emploi	(1 exemplaire)
Guide de référence rapide	(1)

Accessoires en option

Imprimante photo numérique UP-DX100	
Kit d'impression couleur auto-lamination série 10UPC-X46	(250 feuilles)
Kit d'impression couleur auto-lamination série 10UPC-X34	(300 feuilles)

La finition et les spécifications sont sujettes à des modifications sans préavis.


Remarques

- Vérifiez toujours que l'appareil fonctionne correctement avant utilisation.
SONY NE PEUT ETRE TENUE RESPONSABLE DE TOUT DOMMAGE, DE QUELQUE NATURE QUE CE SOIT, Y COMPRIS MAIS SANS LIMITATION, LA COMPENSATION OU LE REMBOURSEMENT S'IL S'AVERE IMPOSSIBLE D'IMPRIMER DES DONNEES OU SI DES DONNEES SONT PERDUES SUITE A UN DYSFONCTIONNEMENT DE CET APPAREIL OU DU MATERIEL D'IMPRESSION, DU LOGICIEL ASSOCIE, DU SUPPORT DE STOCKAGE EXTERNE OU DE TOUT AUTRE PERIPHERIQUE EXTERNE.
- SONY NE PEUT ETRE TENUE RESPONSABLE DE TOUT DOMMAGE, DE QUELQUE NATURE QUE CE SOIT, Y COMPRIS MAIS SANS LIMITATION, LA COMPENSATION OU LE REMBOURSEMENT SUITE A LA PERTE DES BENEFICES PRESENTS ET A VENIR RESULTANT D'UN DYSFONCTIONNEMENT DE CET APPAREIL NI PENDANT LA PERIODE DE GARANTIE OU UNE FOIS LE DELAI DE GARANTIE EXPIRE OU POUR TOUTE AUTRE RAISON QUE CE SOIT.



Guide de dépannage

Vérifiez les points suivantes avant de donner l'appareil à la réparation. Si le problème persiste, contactez votre concessionnaire Sony le plus proche.

Appareil-photo

Symptôme	Cause/Solution
L'appareil-photo n'entre pas en mode d'attente même lorsque le commutateur on/attente est réglé sur  (attente).	<ul style="list-style-type: none"> Le traitement interne de l'appareil-photo prend beaucoup de temps. → Patientez un moment. Si l'appareil ne se met toujours pas en mode d'attente, débranchez-le ou retirez les piles.
Le commutateur on/attente est réglé sur I (on), mais l'appareil-photo et l'imprimante ne sont pas connectés.	<ul style="list-style-type: none"> L'imprimante n'est pas mise sous tension. → Mettez l'imprimante sous tension, puis l'appareil-photo. Le module Bluetooth de l'appareil-photo ou de l'imprimante est hors tension. → Mettez les deux modules sous tension. (Reportez-vous à « Réglage de l'alimentation du module » (en page 124).) « Pas d'imprimante » apparaît. → L'enregistrement de l'imprimante est annulé. Enregistrez l'imprimante. (Reportez-vous à « Ajout/Enregistrement d'une imprimante » (en page 126).)
Le témoin d'attente s'allume en orange ou en rouge et l'appareil-photo ne fonctionne pas.	→ Ceci est un problème avec l'appareil-photo. Contactez votre concessionnaire Sony le plus proche.

Lors de la prise de vue

Symptôme	Cause/Solution
La photo n'est pas prise lorsque le déclencheur est appuyé.	<ul style="list-style-type: none"> Le commutateur de mode n'est pas réglé sur . → Régler le commutateur de mode sur . L'enregistrement des données d'image est en cours ou le flash est en cours de charge (le témoin d'attente clignote rapidement en orange). → Attendez que le témoin d'attente s'allume en orange. La mémoire est pleine (le témoin d'attente clignote en orange). → Vérifiez l'indication du nombre de prises de vue restantes. Si l'indication est zéro, effacez les photos inutiles. → Réglez AUTOEFFACEMENT sur ON.
Le flash ne se déclenche pas.	<ul style="list-style-type: none"> Le mode Flash n'est pas correctement réglé. → Réglez le MODE FLASH dans le menu sur P ou M. (Reportez-vous à « Sélection du Mode Flash » en page 103) Le flash externe n'éclaire pas correctement. → Réglez le MODE FLASH dans le menu sur P ou M. (Reportez-vous à « Sélection du Mode Flash » en page 103) Les piles sont mortes. → Raccordez l'appareil-photo à une source d'alimentation AC ou remplacez les piles. La durée de vie du flash est épuisée. → Contactez votre concessionnaire Sony le plus proche.

LCD de l'appareil photo

Symptôme	Cause/Solution
Si l'appareil-photo est utilisé dans un endroit froid, des images résiduelles peuvent apparaître sur le LCD. Des taches noires peuvent apparaître ou de couleur rouge, bleue, verte ou autre peuvent rester sur le LCD.	<ul style="list-style-type: none"> Ceci est un phénomène normal relatif aux LCD. → Ce n'est pas un signe de mauvais fonctionnement.

Symptôme	Cause/Solution
Une icône d'imprimante apparaît au centre du LCD et l'appareil-photo ne fonctionne pas.	<ul style="list-style-type: none"> L'imprimante est en cours d'impression. → Attendez la fin de l'impression et effectuez l'opération de nouveau.
L'image d'affichage est gelée pendant un moment à la fin de la transmission de données.	<ul style="list-style-type: none"> Le papier est en cours de chargement dans l'imprimante. → L'image d'affichage change lorsque le chargement du papier se termine et l'impression commence.

Impression

Symptôme	Cause/Solution
Les photos ne sont pas imprimées, même lorsque la touche PRINT est appuyée.	<ul style="list-style-type: none"> L'appareil-photo est réglé sur le mode de prise de vue. → Les photos ne peuvent être imprimées qu'à partir de l'écran de visualisation automatique après capture ou en mode Lecture. La fonction de file d'attente d'impression est activée. → Imprimez en utilisant la fonction de file d'attente d'impression ou bien annulez cette fonction. (Reportez-vous à « Utilisation de la file d'attente d'impression » en page 106)

Qualité d'image


Symptôme	Cause/Solution
La photo est floue.	<ul style="list-style-type: none"> La photo n'est pas mise au point. → Vérifiez la distance entre l'objectif et le sujet et assurez-vous que ce dernier se trouve dans la plage de mise au point. L'appareil-photo a été déplacé au moment d'appuyer sur le déclencheur. → Tenez correctement l'appareil-photo et appuyez doucement sur le déclencheur. La vitesse d'obturation est trop faible parce que le MODE FLASH est réglé sur $M\frac{1}{2}$ ou $M\frac{2}{3}$. → Réglez les conditions appropriées de prise de vue. (Reportez-vous à « Paramètres de réglages du mode Flash » en page 77) L'objectif est sale. → Nettoyez l'objectif avec un chiffon propre, doux et sec.
La photo est trop sombre.	<ul style="list-style-type: none"> Quelque chose (un doigt par exemple) a bloqué le flash. → Tenez correctement l'appareil-photo et vérifiez que rien ne bloque le flash. Le sujet est trop éloigné. → Vérifiez que le sujet se trouve dans la plage du flash lors de la prise de vue. → Corrigez l'exposition. Le sujet est éclairé par derrière. → Utilisez le flash.
Les couleurs d'une photo prise en intérieur ne sont pas correctes.	<ul style="list-style-type: none"> L'éclairage affecte les couleurs. → Réglez correctement la balance des blancs. (Reportez-vous à « Réglage de la balance des blancs » en page 104)
Une partie de la photo est manquante.	<ul style="list-style-type: none"> Quelque chose (un doigt par exemple) a bloqué l'objectif. → Tenez correctement l'appareil-photo et vérifiez que rien ne bloque l'objectif.

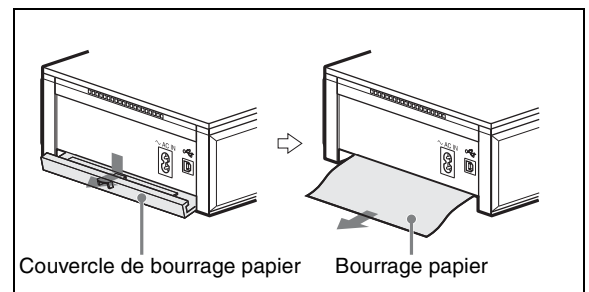
Imprimante

Symptôme	Cause/Solution
Impossible de mettre l'imprimante sous tension.	<ul style="list-style-type: none"> Le cordon d'alimentation n'est pas correctement raccordé. → Raccordez correctement le cordon d'alimentation à une prise AC.
Impossible d'imprimer.	<ul style="list-style-type: none"> Le papier d'impression et la cartouche ne correspondent pas. → Utilisez la combinaison correcte de papier d'impression et de cartouche d'impression conçus pour l'imprimante. « Waiting » est affiché sur l'afficheur car la température interne de l'imprimante est trop élevée. → Si la température interne de l'imprimante devient trop élevée, l'impression s'arrête temporairement. Attendez que l'impression reprenne automatiquement. Bourrage du papier d'impression. → Dégagez le papier coincé et essayez de nouveau. (Reportez-vous à « Dégagez un bourrage de papier » en page 134)
Impossible de retirer la cartouche d'impression.	→ La cartouche d'impression ne peut être retirée en cours d'impression. Attendez que l'impression se termine. Si la cartouche d'impression ne peut toujours pas être retirée, contactez votre concessionnaire Sony le plus proche.
Des lignes blanches ou des marques apparaissent sur les photos imprimées.	<ul style="list-style-type: none"> Il peut y avoir de la poussière sur la tête thermique. → Utilisez la cassette de nettoyage fournie pour nettoyer la tête thermique. (Reportez-vous à « Nettoyage de l'intérieur de l'imprimante » en page 135) Il se peut que le rouleau à l'intérieur de l'imprimante raye le papier d'impression. → Diminuez le nombre de feuilles dans le bac à papier.
L'imprimante émet des bips courts et n'effectue pas l'opération.	→ L'imprimante émet des bips courts lorsque l'opération demandée n'est pas possible.
Le témoin ALARM s'allume ou clignote et un message d'erreur apparaît.	→ Suivez les instructions sur l'écran.

Dégagement d'un bourrage de papier

Si un bourrage de papier se produit en cours d'impression, le témoin ALARM s'allume, un message d'erreur apparaît et l'impression s'arrête. Effectuez les étapes suivantes pour dégager le bourrage de papier.

- Appuyez sur la touche  de l'imprimante pour passer en mode d'attente.
- Retirez le bac à papier et dégagez tout bourrage de papier.
- Retirez le couvercle de bourrage papier sur le panneau arrière et vérifiez s'il y a du papier coincé. Si vous trouvez du papier coincé, retirez-le.



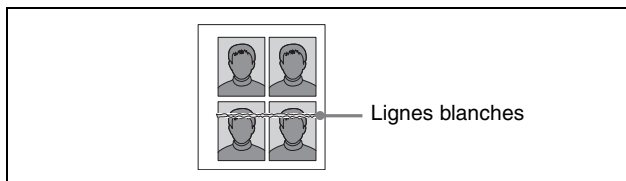
- Remettez le couvercle.
- Insérez le bac à papier.
- Mettez l'imprimante sous tension.

Remarque

Si vous n'arrivez pas à dégager le papier coincé, contactez votre concessionnaire Sony le plus proche.

Nettoyage de l'intérieur de l'imprimante

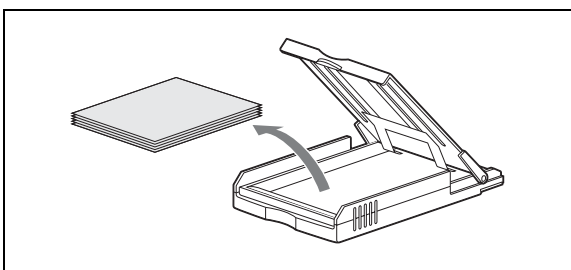
Si des lignes blanches ou des taches apparaissent sur les photos imprimées, nettoyez l'intérieur de l'imprimante à l'aide de la cassette de nettoyage fournie et la feuille de protection comprise dans le kit d'impression.



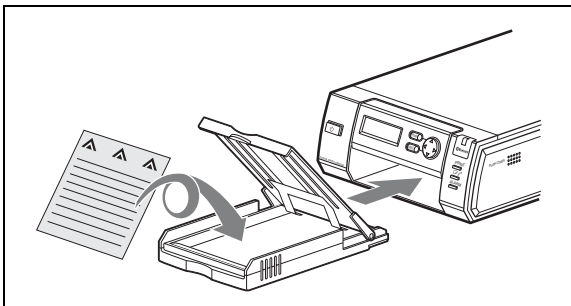
Remarques

- N'effectuez le nettoyage que s'il y a des lignes blanches ou des taches sur les photos imprimées.
- Lorsque l'imprimante imprime normalement, le nettoyage n'améliore pas la qualité d'impression.

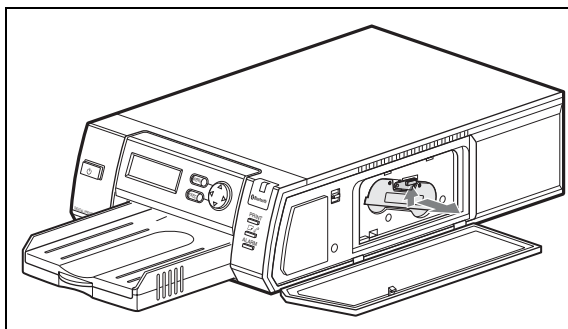
- 1 Retirez le bac à papier de l'imprimante, puis enlevez le papier du bac.



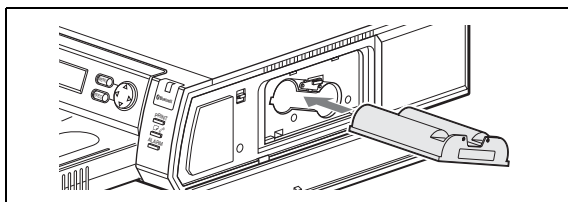
- 2 Placez la feuille protectrice dans le bac avec la face non imprimée vers le haut et vérifiez que les flèches sur le bas du bac et celles sur le dos de la feuille sont dirigées vers la même direction, puis insérez le bac à papier dans l'imprimante.



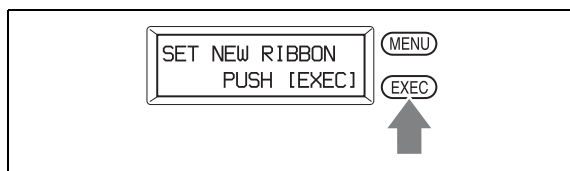
- 3 Ouvrez le couvercle de la cartouche d'impression et retirez la cartouche.



- 4 Insérez la cassette de nettoyage fournie et fermez le couvercle de la cartouche d'impression.

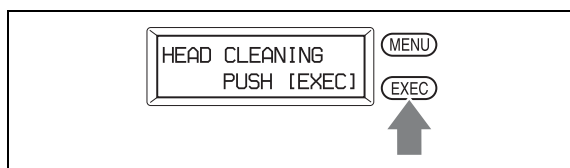


- 5 Appuyez sur la touche EXEC.



Une sonnerie se fait entendre et « HEAD CLEANING/PUSH [EXEC] » apparaît.

- 6 Appuyez de nouveau sur la touche EXEC.



La cassette de nettoyage et la feuille protectrice nettoient l'intérieur de l'imprimante. Une fois le nettoyage terminé, la feuille protectrice est automatiquement éjectée.



- 7 Retirez la cassette de nettoyage de l'imprimante et réinsérez la cartouche d'impression dans le bac à papier.

Messages d'erreur

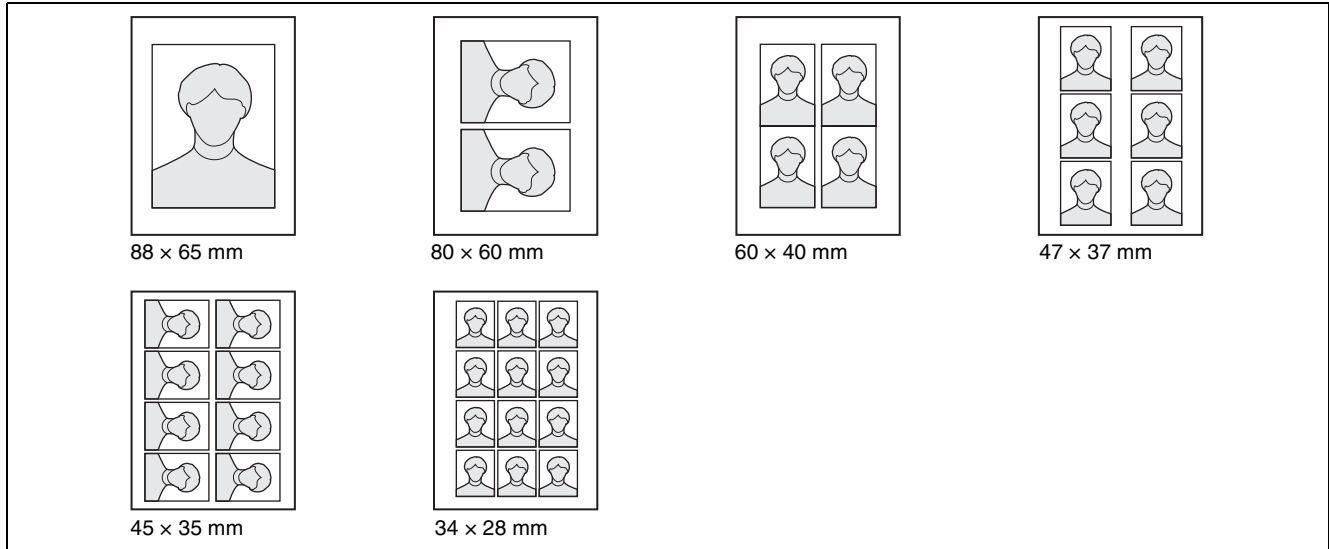
Appareil-photo	Imprimante	Cause/Solution
REGLER SUPPORT	SET NEW RIBBON PUSH [EXEC]	• La cartouche d'impression n'est pas correctement installée. → Installez correctement la cartouche d'impression et appuyez sur la touche EXEC.
		• La cartouche d'impression est terminée. → Remplacez la cartouche d'impression et appuyez sur la touche EXEC.
	SET PAPER PUSH [EXEC]	• Le bac à papier n'est pas installé. → Installez le bac à papier et appuyez sur la touche EXEC.
		• Le papier d'impression est épuisé. → Insérez du papier d'impression et appuyez sur la touche EXEC.
VERIFIER IMPRIMANTE	MEDIA MISMATCH PUSH [EXEC]	• Le papier d'impression et la cartouche ne correspondent pas. → Insérez le bon papier d'impression et appuyez sur la touche EXEC.
	PAPER JAMMING REMOVE PRINTS	• Il y a un bouchage du papier d'impression. → Dégagez le papier coincé et essayez d'imprimer de nouveau. (Reportez-vous à « Dégagement d'un bouchage de papier » en page 134)
	REMOVE PRINTS PUSH [EXEC]	• Il reste du papier d'impression dans la fente d'éjection. → Retirez le bac à papier, enlevez le papier d'impression, puis appuyez sur la touche EXEC.
	BLUETOOTH ERROR SERVICE CALL	• Il y a un problème avec la fonction Bluetooth. → Contactez votre concessionnaire Sony le plus proche.
	PRINTER ERROR PLEASE RETRY	• Une erreur s'est produite avec l'imprimante. → Essayez d'imprimer de nouveau.
	PRINTER ERROR SERVICE CALL	• Il y a un problème avec l'imprimante. → Contactez votre concessionnaire Sony le plus proche.
	—	• Le menu est affiché sur l'afficheur de l'imprimante. → Quittez l'opération de menu et affichez l'écran READY.
	—	• L'imprimante n'est pas correctement raccordée. → Redémarrez l'appareil-photo et l'imprimante, puis essayez de nouveau.
ECHEC TRANSMISSION !	—	• Echec de transmission des données d'impression. → Redémarrez l'appareil-photo et l'imprimante, puis essayez l'opération de nouveau.

Certains messages d'erreur de l'appareil-photo disparaissent une fois le problème réglé et d'autres non. Si un message d'erreur ne disparaît pas une fois le problème résolu, appuyez sur la touche MENU pour l'effacer.

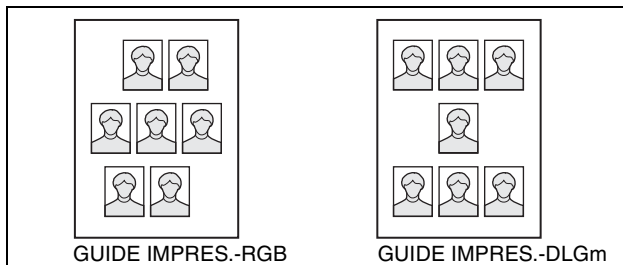
Appendice

Mises en page d'impression

Exemples de mise en page lors de l'utilisation du papier d'impression de la série UPC-X46

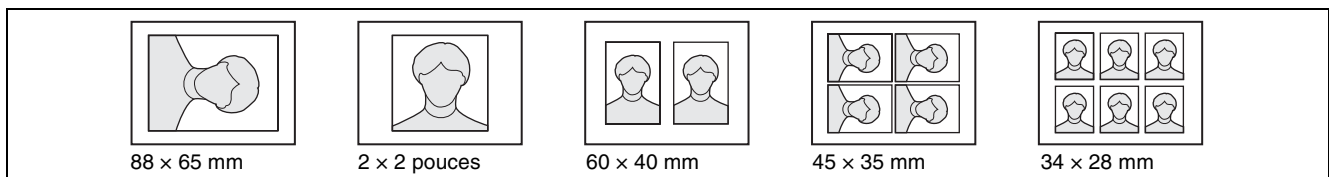


Guide d'impression

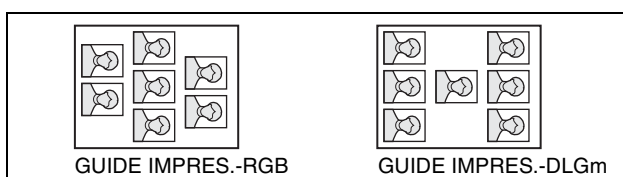


Ces guides sont utiles pour régler la qualité de l'image de l'imprimante.

Exemples de mise en page lors de l'utilisation du papier d'impression de la série UPC-X34



Guide d'impression



Ces guides sont utiles pour régler la qualité de l'image de l'imprimante.

Index

A

- Accessoires fournis 83
- Adaptateur d'alimentation AC 83
- Adresse Bluetooth 121
 - Confirmation 123
- Affichage en cours d'impression 119
- Affichage multiple à neuf images 95
- Afficheur (appareil-photo)
 - Lors de la prise de vue 91
 - Pendant l'aperçu de mise en page 92
 - Pendant la lecture 95
- Afficheur (imprimante) 81
- Alimentation 89
- Alimentation AC
 - Appareil-photo 83
 - Imprimante 88
- Alimentation du module
 - Changement du réglage de l'alimentation du module de l'appareil-photo 124
 - Changement du réglage de l'alimentation du module de l'imprimante 124
- Authentification de clé d'identification 121
- AUTO SUPPRESSION 99

B

- BALANCE DES BLANCS 99
- Balance des blancs
 - Capture 104
 - Réglage 104
- Basic Imaging Profile (Profil d'infographie basique) (BIP) 121
- BIP 121
- Bluetooth 101
- Borne FLASH 80
- Bourrage papier 134
 - Couvercle de bourrage papier 82

C

- Capacité d'enregistrement 130
- Cartouches d'impression
 - Chargement 87

- Clé d'identification 101, 121, 123, 126
 - Changement de la clé d'identification de l'appareil-photo 123
 - Changement de la clé d'identification de l'imprimante 123
 - Modification des réglages 121
- Code pays 108
- Commutateur de mode 80
- Commutateur On/Attente 80
- Conditions de prise de vue 77, 90
 - Réglages d'usine 90
- Configuration du système 74
- Connecteur USB 82
- Connexion Bluetooth 122
 - Si la connexion échoue 122
 - Vérification 122
- Connexions
 - Alimentation AC 83
- Contrôle d'exposition et mode Flash 103
- COPY PRINT 94, 101
- Couleurs complémentaires 118
- Couvercle de la cartouche d'impression 81
- Couvercle du bac 87
- Couvercle du compartiment à piles 80
- Couvercle du connecteur externe 80

D

- Déclencheur 78
- Dégagement d'un bourrage de papier 134
- Drapeau de file d'attente d'impression 95
- Durée d'impression 119, 130

E

- Economie energie auto 111
- Ecran d'aperçu avant impression 92
- Ecran LCD (appareil-photo)
 - Lors de la prise de vue 91
 - Pendant l'aperçu de mise en page 92
 - Pendant la lecture 95
- Ecran LCD (imprimante)
 - En cours d'impression 119
- Environnements de prise de vue 76
- Exposition
 - Correction 105
 - Exposition manuelle 76
 - Fonction de correction (Mode Capture) 91

F

- Fente de bac à papier 81
- Fente de cartouche d'impression 81
- Filetage pour trépied 78
- Flash 78
- Flash intégré
 - Changement du mode Flash 103
 - Mode sans flash 76
- Fonction de mise au point automatique 78, 91
- Fonctions Bluetooth 121
- Format d'impression 92, 102
- Format d'impression (mise en page d'impression)
 - Liste 137

G

- Guide d'impression 137
 - GUIDE IMPRES.-DLGm 118
 - GUIDE IMPRES.-RGB 117
 - Impressions en noir & blanc 118
- Guide d'impression en noir & blanc 118
 - Réglage de la balance des trois couleurs 118
- Guide de dépannage 132

H

- Historique de connexion 125
 - Vérification 125

I

- ID Cadre Photo 107
 - Réglage d'un cadre à afficher lors de l'impression 107
- Image Push Feature 121
- Impression 92
 - Impression de la dernière photo prise 92
 - Impression de photos enregistrées dans la mémoire interne de l'appareil-photo 94
 - Réimpression de photos à partir de la mémoire de l'imprimante 94
- Impression en découpe 110
- Impressions en noir & blanc 93
- Imprimante 126
 - Ajout/Enregistrement 126
 - Annulation de l'Ajout/Enregistrement 127
 - Fonctionnement avec plusieurs imprimantes 128
 - Pour annuler le retrait 128
 - Préparation 85

Retrait 128
Si une imprimante ne peut être
ajoutée/enregistrée 127
Indicateur d'alimentation de pile 84
Informations sur les photos 105

K

Kits d'impression 85

L

LANGUE 101
Langue d'affichage 112
Lecture
Ecran LCD 95
Lever de déverrouillage de la
cartouche 81
LISTE TAILLE IMPR. 100

M

Mémoire
Suppression de photos 91
Menu (appareil-photo)
Fonctions des articles de menu
99
Mode Capture 99
Mode Lecture 100
REGLAGE 100
Verrouillage 113
Menu Capture 97, 99
Menu Lecture 97, 100
Menu REGLAGE 98, 100
Messages d'erreur 136
Mise en page d'impression
Liste 137
Mode Autoeffacement 102
Mode Capture 99
Mode d'attente 89
MODE FLASH 99
Mode Flash (Contrôle d'exposition et
mode Flash)
Changement du mode 103
Exemples de Modes et
d'environnement 76
Mode Lecture 100
Mode visualisation rapide après
capture 128

N

Nettoyage 129, 135
Nombre de photos (total) 95
Nombre de prises de vue possibles
102, 132
Nombre total de photos en
mémoire 95
Numéro de périphérique 125

O

Objectif 78
OBTURATEUR 99
OnePush 104
OUVERTURE 99
Ouverture 103

P

Papier d'impression 86
Paramètres
Paramètre B 115
Paramètre D 116
Paramètre G 115
Paramètre Gm 116
Paramètre L 116
Paramètre R 115
Photos en lecture 95
Photos individuelles 96
Préparatifs
Appareil-photo 83
Imprimante 85
PRINT OFFSET 120
Prise DC IN 80
Prises de vue 90
Ecran LCD 91
PROPRIETE 100, 122

R

REGLAGE 99, 100
REGLAGE Bluetooth 101
REGLAGE COULEUR 101
Réglage de la qualité d'impression
93, 114
Impressions en noir & blanc 93
Réglage de la qualité d'impression
(imprimante)
Paramètres 115
Réglage de la tonalité de couleur
(imprimante) 118
Réglage du paramètre RGB 117
Réglages 97
Réimpression (à partir de la mémoire
de l'imprimante) 94
Réglage du nombre de feuilles
94
REINITIALISATION 101
Réinitialisation des réglages par
défaut 112
RESOLUTION 99
Résolution 91, 95
Résolution d'image 90, 102
RSSI (Received Signal Strength
Indicator) : Indicateur de force de
signal reçu 127

S

Son (appareil-photo) 111
SON CAMERA 101
Sons de fonctionnement (appareil-
photo) 111
Suppression de photos 95
Annulation 96
Quitter la suppression de photo
96
Toutes les photos 96
SUPPRIMER 100
SUPPRIMER TOUT 100

T

Témoin ALARM 81
Témoin Bluetooth 81
Témoin d'attente (appareil-photo) 79
Témoin PRINT (imprimante) 81
TOTAL PRINTS 101
Touche AUTO FRAME
(correspondance automatique de
position) 79
Touche de commande 81
Touche ENTER 80
Touche EXEC (Exécuter) 81
Touche MENU 80
Touche PRINTER 79
Transmission de données 93
Annuler 93
Trépied 85

V

Valeur de correction d'exposition 91
Verrouillage des menus 113
VERSION MICROPROGRAMME
101, 113
Visualisation automatique après
capture 90, 92
Visualisation des prises de vue 94
Vitesse d'obturation 104

Z

Zoom
Lever de zoom 80

ADVERTENCIA

Para reducir el riesgo de electrocución, no exponga este aparato a la lluvia ni a la humedad.

Para evitar descargas eléctricas, no abra el aparato. Solicite asistencia técnica únicamente a personal especializado.

Para la impresora UP-DX100 y el adaptador de alimentación de ca UPA-AC05

ADVERTENCIA

Esta unidad no dispone de interruptor de alimentación. Al instalar la unidad, incluya un dispositivo de desconexión fácilmente accesible en el cableado fijo, o conecte la clavija de alimentación a una toma de corriente fácilmente accesible cerca de la unidad. Si se produce una anomalía durante el funcionamiento de la unidad, accione el dispositivo de desconexión para desactivar la alimentación o desconecte las clavijas de alimentación.

ADVERTENCIA sobre la conexión a la alimentación

Utilice un cable de alimentación adecuado a la fuente de alimentación local.

1. Utilice el cable de alimentación (cable de alimentación de dos conductores), el conector del dispositivo y el enchufe homologados que cumplan la normativa de seguridad de cada país si corresponde.
2. Utilice el cable de alimentación (cable de alimentación de dos conductores), el conector del dispositivo y el enchufe que cumplan con los índices adecuados (voltaje, amperaje).

Si tiene alguna duda sobre el uso del cable de alimentación, el conector del dispositivo y el enchufe especificados anteriormente, consulte a personal de asistencia cualificado.

Para la impresora UP-DX100 y la cámara digital de imágenes fijas DKC-C300X

For the customers in Europe

Por medio de la presente Sony Corporation declara que el los modelos "UP-DX100" y "DKC-C300X" cumplen con los requisitos esenciales y cualesquiera otras disposiciones aplicables o exigibles de la Directiva 1999/5/CE.

Para mayor información, por favor consulte el siguiente URL: <http://www.compliance.sony.de/>

Para la impresora UP-DX100, la cámara digital de imágenes fijas DKC-C300X y el adaptador de alimentación de ca UPA-AC05

Para los clientes de Europa

El fabricante de este producto es Sony Corporation, con dirección en 1-7-1 Konan, Minato-ku, Tokio, Japón. El Representante autorizado para EMC y seguridad del producto es Sony Deutschland GmbH, Hedelfinger Strasse 61, 70327 Stuttgart, Alemania. Para asuntos relacionados con el servicio y la garantía, consulte las direcciones entregadas por separado para los documentos de servicio o garantía.

Para la batería

PRECAUCIÓN

Peligro de explosión si se sustituye la batería por una del tipo incorrecto.

Reemplace la batería solamente por otra del mismo tipo o de un tipo equivalente recomendado por el fabricante. Deseche las baterías usadas siguiendo las instrucciones del fabricante.

Todos los nombres de compañías y productos que aquí se mencionan pueden ser marcas comerciales o marcas comerciales registradas de sus respectivas compañías. Además, en este manual no se menciona, en cada caso, "TM" ni "®".

La duplicación, edición o impresión de CD, programas de TV, materiales protegidos por copyright tales como imágenes o publicaciones, o cualquier otro material excepto sus propias grabaciones o creaciones, están limitadas al uso privado o doméstico. A menos que posea el copyright o tenga permiso de los propietarios del copyright para duplicar los materiales, el uso de estos materiales más allá de este límite puede infringir lo dispuesto por las leyes de propiedad intelectual, y puede estar sujeto a reclamaciones por daños por parte del propietario del copyright. Cuando utilice imágenes fotográficas con esta impresora, ponga especial atención para no infringir lo dispuesto por las leyes de propiedad intelectual. Cualquier uso o modificación sin autorización del retrato de otras personas puede infringir también sus derechos. En algunas demostraciones, espectáculos o exhibiciones es posible que estén prohibidas las fotografías.

Índice

Información general sobre el sistema	143
Configuración del sistema	143
Flujo de funcionamiento	144
Funciones útiles	144
Modos de flash y condiciones de toma de fotografías de ejemplo	145
Parámetros de ajuste del modo de flash	146
Nombres y funciones de los componentes	147
Cámara	147
Impresora	150
Accesorios suministrados	152
Comprobación del contenido	152
Preparativos	152
Preparación de la cámara	152
Preparación de la impresora	154
Conexión de la alimentación	157
Operaciones (toma de fotografías e impresión)	159
Toma de fotografías	159
Impresión de la última fotografía tomada (desde la pantalla de visualización de comprobación automática de la imagen)	161
Impresión de una fotografía almacenada en la memoria integrada de la cámara	163
Reimpresión de una fotografía almacenada en la memoria de la impresora (COPY PRINT)	163
Visualización de una fotografía en la pantalla LCD	164
Eliminación de una fotografía	165
Ajustes	166
Visualización del menú de toma de fotografías	166
Visualización del menú de reproducción	167
Visualización del menú CONFIGURACIÓN	167
Menú	168
Funciones de los elementos de menú	168
Ajuste de la resolución de la imagen	171
Ajuste del modo de borrado automático	171
Selección del modo de flash	172
Ajuste de la apertura	172
Ajuste de la velocidad del obturador	173
Ajuste del balance de blancos	173
Compensación de la exposición	174
Visualización de información acerca de las imágenes capturadas	174
Utilización de la función de cola de impresión	175
Configuración de un encuadre para visualizar durante la impresión	176
Creación de un encuadre adicional	177
Utilización de la función de impresión con troquelado	179
Utilización de la función de ahorro de energía automático	180
Ajuste de los sonidos de la cámara	180
Selección de la visualización del idioma	181
Restauración de los ajustes predeterminados	181
Visualización de la versión del firmware	182
Bloqueo de los menús de la cámara	182
Ajuste de la calidad de impresión	183
Ajuste de la calidad de imagen	183
Explicación de los parámetros de ajuste de la calidad de imagen	184
Función de guía de impresión	186
Tiempos de impresión	188
Ajuste de la posición de impresión (PRINT OFFSET)	189
Ajuste de las funciones Bluetooth	190
Tecnología inalámbrica Bluetooth	190
“Perfil básico de imagen”	190
Dirección Bluetooth	190
Autenticación con contraseña	191
Conexión Bluetooth	191
Comprobación de los estados de conexión Bluetooth de la cámara (PROPIEDAD)	192
Confirmación de la dirección Bluetooth de la impresora	192
Modificación de la contraseña	193
Ajuste de la alimentación del módulo	194
Asignación de un número de dispositivo a la impresora	195
Comprobación del registro de conexiones de la impresora	195
Adición/registro de una impresora	196
Eliminación de una impresora	198
Funcionamiento con varias impresoras	198
Mantenimiento del rendimiento del sistema	199
Cámara	199
Impresora	199
Limpieza	199
Especificaciones	200
Solución de problemas	202
Cámara	202
Toma de fotografías	203
Pantalla LCD de la cámara	203
Impresión	203
Calidad de la imagen	204
Impresora	204
Extracción del papel atascado	205
Limpieza del interior de la impresora	205
Mensajes de error	207
Apéndice	208
Diseños de impresión	208
Índice alfabético	209

Información general sobre el sistema

El sistema de impresión digital UPX-C300 de Sony está diseñado para permitirle tomar fotografías para pasaporte y fotografías similares de identificación con una cámara digital y, a continuación, imprimirlas con alta calidad de imagen y resolución (403 ppp) a todo color o en blanco y negro.

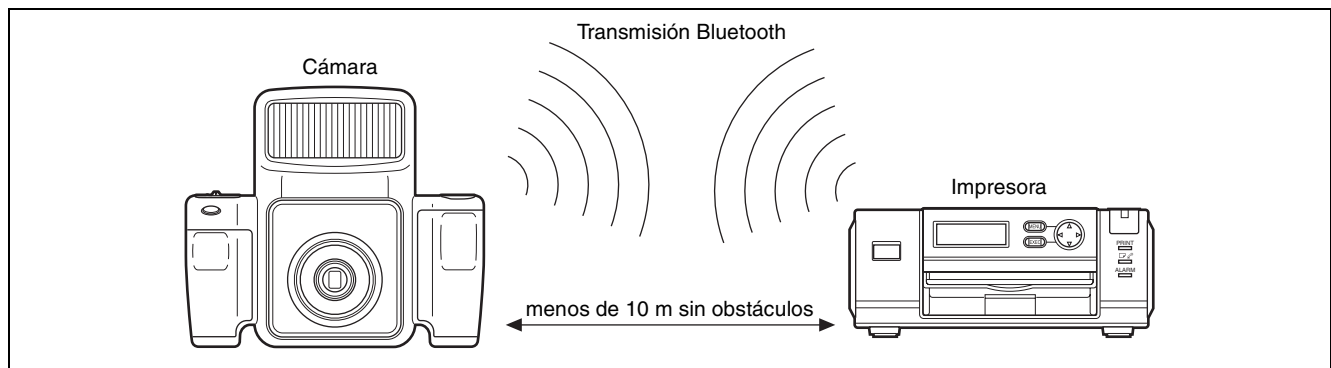
Admite dos tipos de papel para impresión: serie UPC-X46 y serie UPC-X34.

El sistema adopta la tecnología inalámbrica Bluetooth, que permite establecer la comunicación entre la cámara y la impresora sin la necesidad de utilizar cables.

Configuración del sistema

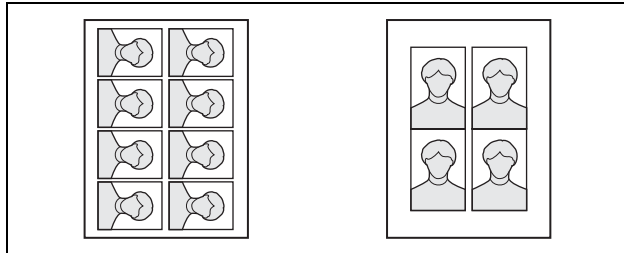
Las imágenes se pueden enviar desde la cámara a la impresora sin necesidad de utilizar cables.

Para obtener más información acerca de la función Bluetooth, consulte "Ajuste de las funciones Bluetooth" en la página 190.



Es posible imprimir fotografías con el mejor tamaño de rostro en función de su objetivo. El tamaño del rostro se puede determinar automáticamente o se puede ajustar con precisión manualmente mientras se observa el encuadre.

Las imágenes tomadas se pueden imprimir en una variedad de diseños para fotografías de pasaporte y fotografías de identificación similares, o con el tamaño del paquete de impresión en uso.

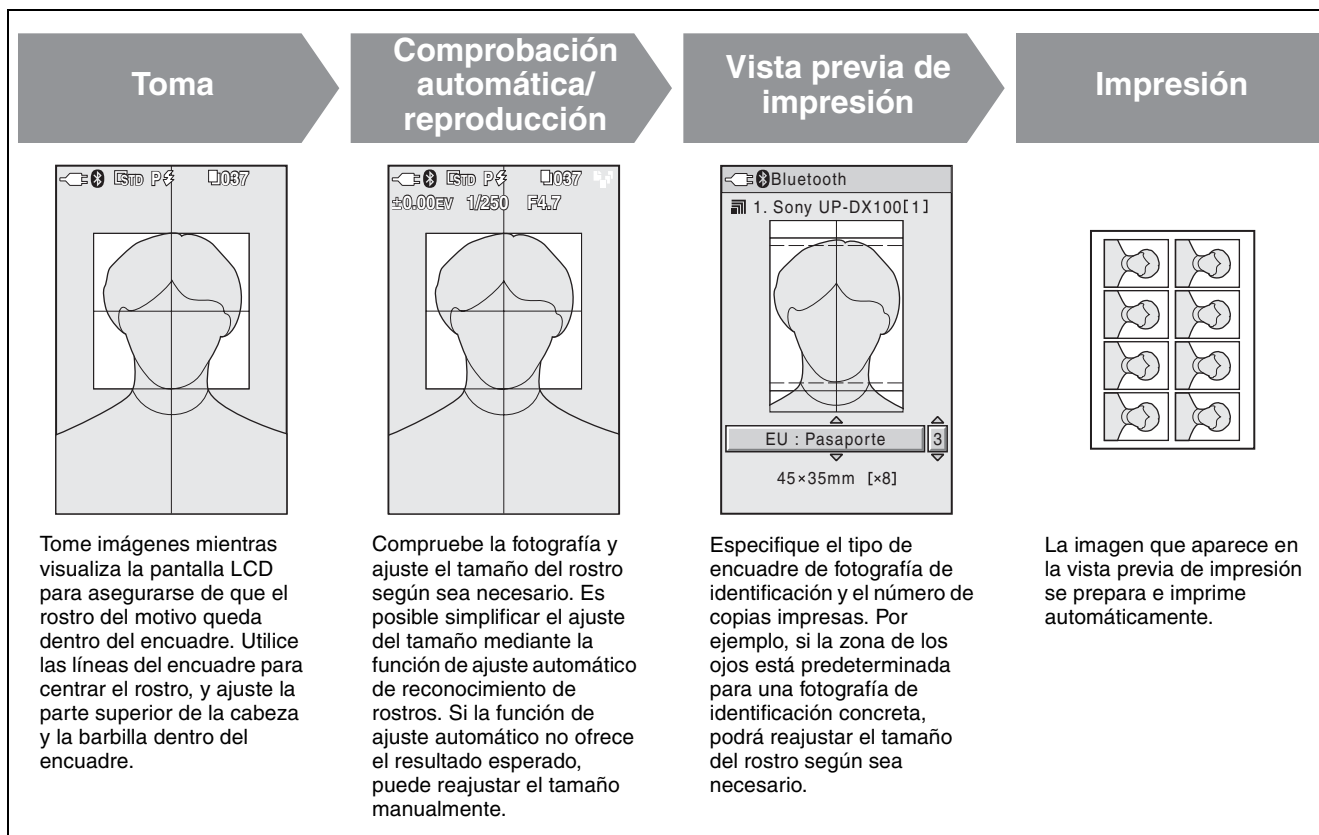


Nota

Los datos de imagen de la cámara no pueden ser enviados a ningún otro dispositivo periférico que no sea la impresora.

Flujo de funcionamiento

Este sistema permite tomar e imprimir fotografías de identificación en las que los tamaños de rostros se pueden ajustar para adaptarse a estándares de encuadre específicos.



Funciones útiles

Encuadres adicionales

Si no le facilita el encuadre de fotografía de identificación que desea o simplemente desea modificar uno de los encuadres de fotografía de identificación provistos, se pueden registrar hasta cinco tipos de encuadres adicionales.

Impresión con troquelado

Es posible activar la función de impresión con troquelado para dejar 3 mm adicionales alrededor de los lados de una imagen y obtener así impresiones ideales para troquelados.

Cola de impresión

Si activa la función de cola de impresión, podrá seleccionar varias imágenes e imprimirlas una tras otra.

Ajuste de color y blanco y negro

Este sistema permite configurar los ajustes de impresión en color y en blanco y negro de la cámara. Es posible comprobar rápidamente los resultados del ajuste mediante la función de guía de impresión.

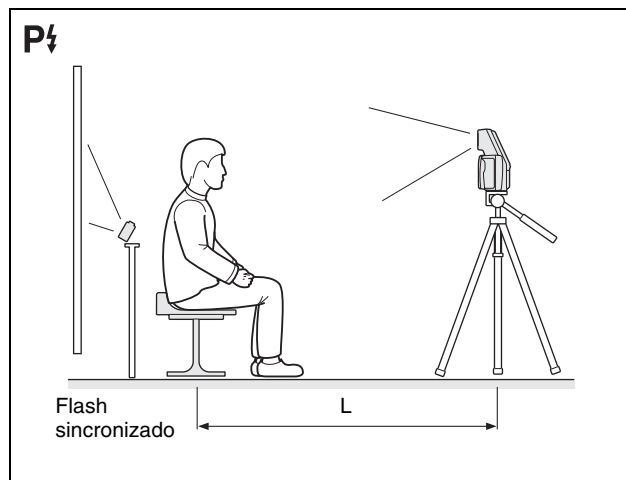
Modos de flash y condiciones de toma de fotografías de ejemplo

La cámara ofrece tres modos de flash.

Cuando lo configure, asegúrese de que la distancia entre la cámara y el motivo (L) esté ajustada de manera que el tamaño aparente del rostro encaje en el encuadre seleccionado (guías) a aproximadamente 1,8 metros. Con el zoom, es posible realizar ajustes menores al tamaño aparente del rostro.

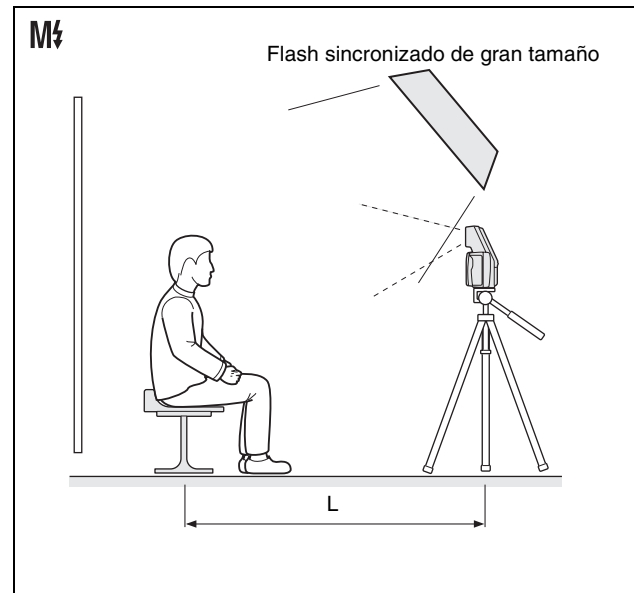
Flash automático (P $\frac{1}{2}$)

El flash integrado se dispara con un brillo óptimo para los motivos que se encuentran a 1,8 metros de distancia. Utilice los botones de control ▲ y ▼ para ajustar un valor EV negativo cuando la distancia L sea inferior a 1,8 metros, o un valor EV positivo cuando la distancia L sea superior a 1 metro. Asegúrese de tomar una foto de prueba para comprobar los resultados. Este modo es recomendable para realizar fotografías de identificación en interiores en las cuales el flash integrado es la fuente de luz principal y la cámara tiene conectado un flash para despejar las sombras a través de un cable de sincronización.



Flash forzado y modo de exposición manual (M $\frac{1}{2}$)

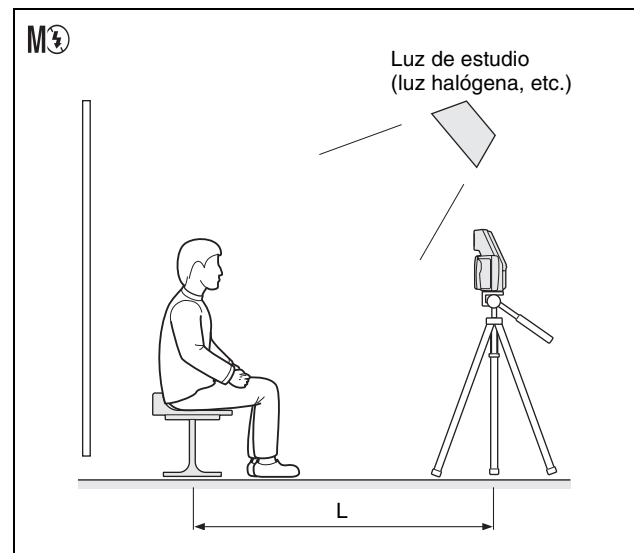
Puede fijar la apertura y la velocidad del obturador manualmente, y seleccionar uno de los siete niveles de intensidad del flash (\triangleleft 0,5EV) para el flash integrado antes de tomar la fotografía. Este modo es recomendable para tomar retratos en los cuales el flash integrado actúa como disparador para la fuente de luz principal, un flash externo conectado a la cámara a través de un cable de sincronización.



Sin flash y modo de exposición manual (M $\frac{3}{3}$)

En este modo de flash, la apertura y la velocidad del obturador se establecen manualmente y el flash integrado no se dispara.

El flash integrado no se dispara. Este modo resulta adecuado para tomar fotografías en interiores bajo fuentes de luz estables como, por ejemplo, una luz de estudio, luz de vídeo o luz fluorescente.



Parámetros de ajuste del modo de flash

El modo de flash viene ajustado de fábrica en Programa, pero es posible modificar el ajuste mediante los menús en caso necesario. Las condiciones de toma de fotografías disponibles para la configuración varían según el ajuste del modo de flash, tal y como se muestra en la tabla siguiente.

Modo de flash	Control de flash	Apertura	Velocidad del obturador	Balance de blancos	Compensación de exposición
Flash controlado sin flash preliminar P Ⓛ	Programa con zoom y EV	Fija (F4,7)	Fija (1/250)	Programa	-2,0EV a 0EV a +2,0EV (en incrementos de 1/4EV)
Flash forzado sin flash preliminar M Ⓛ	7 incrementos (100/70/50/35/25/18/12%) sin flash preliminar	F4,7 (F4,7 o F5,6)	1/250 (de 1/2 a 1/1000 [s])	Programa , de 3000 a 7000K o Una pulsación	-1,0EV a 0EV a +2,0EV (en incrementos de 1/4EV)
Mostrar flash M Ⓢ	Sin iluminación	F4,7 (F4,7 o F5,6)	1/250 (de 1/2 a 1/1000 [s])	Programa , de 3000 a 7000K, Una pulsación	-1,0EV a 0EV a +2,0EV (en incrementos de 1/4EV)

_____ : Ajuste predeterminado

Efectos del valor F durante la toma de fotografías

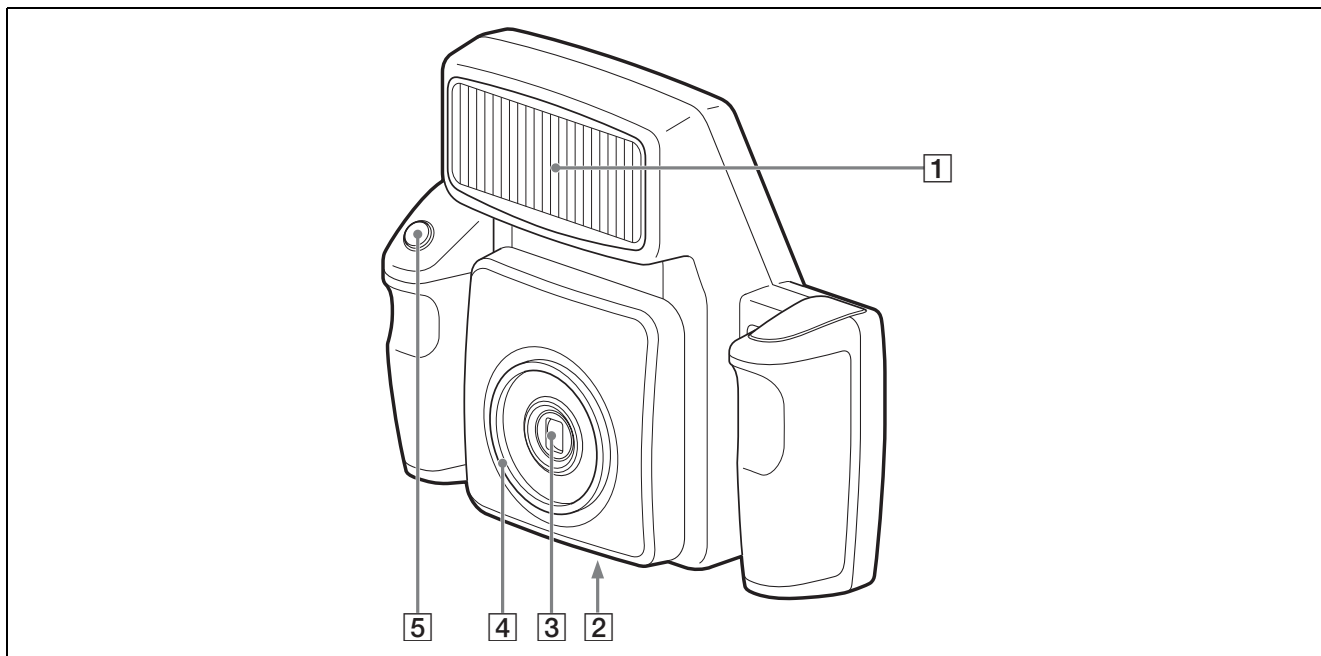
Incluso en el caso de que se cambie el valor F a través de las operaciones del zoom, el nivel de intensidad del flash y la sensibilidad ISO se ajustan automáticamente antes de la toma de fotografías para garantizar que el cambio no afecte al brillo de la imagen capturada.

Nombres y funciones de los componentes

Para obtener más información, consulte las páginas que están entre paréntesis.

Cámara

Parte frontal



1 Flash (145, 146)

Se dispara en función del ajuste de MODO FLASH.

2 Orificio para el tornillo del trípode (154)

Se utiliza para colocar la cámara en el trípode.

3 Objetivo (f=12,5 a 25,0 mm, valor F (abierto): de F-4,7 (W) a F-5,5 (T))

Objetivo de enfoque automático con zoom óptico de 2x.

4 Rosca del filtro del objetivo

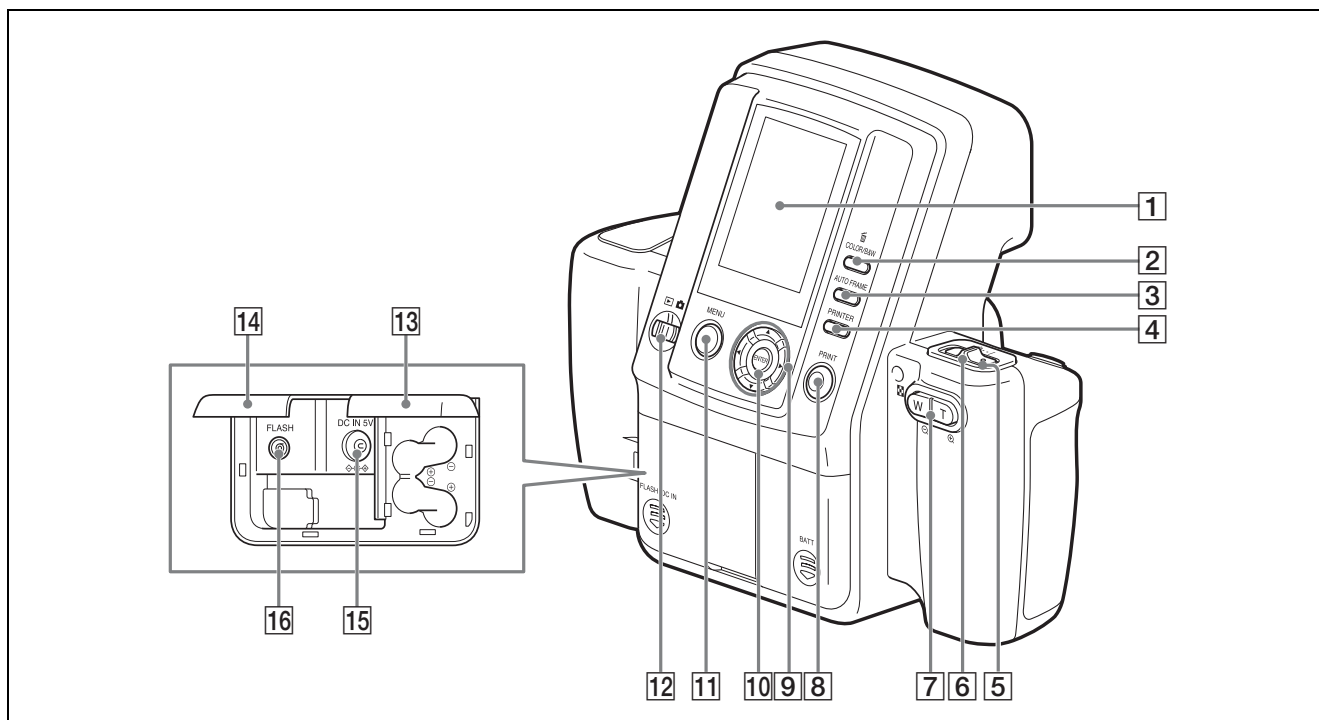
Se utiliza para colocar un filtro de objetivo disponible en el mercado (52 mm de diámetro).

5 Botón del disparador (159)

Pulse este botón para capturar la imagen que se muestra en la pantalla LCD y grabarla en la memoria integrada de la cámara.

Al pulsar hasta la mitad este botón, se activa la función de enfoque automático, y al pulsarlo por completo se dispara el obturador. La imagen capturada se comprime y se guarda en formato JPEG.

Parte posterior



1 Pantalla LCD

Se utiliza para visualizar imágenes tomadas con el objetivo, reproducir imágenes o visualizar el menú. Cuando la función Bluetooth está activada, se muestra el icono

2 Botón /COLOR/B&W (Eliminar/color/blanco y negro) (162, 165)

Eliminar

Durante el modo de comprobación automática o la reproducción de imágenes, la imagen de la pantalla LCD se eliminará al pulsar este botón.

Color/blanco y negro

Mientras se visualiza la pantalla de vista previa de impresión, este botón permite seleccionar si las fotografías deben imprimirse en color o en blanco y negro.

3 Botón AUTO FRAME (ajuste automático de la posición) (161, 162)

Mientras se visualiza la pantalla AJUSTE, al pulsar este botón se determinará automáticamente el tamaño de un rostro para ajustarlo al encuadre.

4 Botón PRINTER (198)

Permite seleccionar una impresora cuando se utilizan varias.

5 Indicador de modo de espera

Indica el estado de la cámara.

Cuando el selector de modo está ajustado en

Estado del indicador	Estado de la cámara
Se ilumina (naranja)	Funcionamiento normal
Parpadea (naranja)	La cámara se está inicializando o se está realizando el proceso de autenticación Bluetooth. O bien, BORRADO AUTO está desactivado y la memoria interna está llena, por lo que no se pueden almacenar más imágenes.
Parpadea rápidamente (naranja)	La cámara se está preparando para tomar la siguiente fotografía, se está cargando el flash o se están almacenando datos.
Parpadea (rojo)	Si se utilizan pilas, indica que éstas disponen de poca energía.
Parpadea rápidamente (rojo)	La cámara se está apagando.
Se ilumina (rojo)	Indica un fallo de funcionamiento de la cámara. Póngase en contacto con el distribuidor Sony más cercano o con un centro de atención al cliente de Sony.

Cuando el selector de modo se encuentra en la posición

Estado del indicador	Estado de la cámara
Se ilumina (verde)	Funcionamiento normal
Parpadea (verde)	La cámara se está inicializando o se está realizando el proceso de autenticación Bluetooth.

Estado del indicador	Estado de la cámara
Parpadea (rojo)	Si se utilizan pilas, indica que éstas disponen de poca energía.
Parpadea rápidamente (rojo)	La cámara se está apagando.
Se ilumina (rojo)	Indica un fallo de funcionamiento de la cámara. Póngase en contacto con el distribuidor Sony más cercano o con un centro de atención al cliente de Sony.

6 Interruptor de encendido/en espera (158, 158)

Permite encender la cámara o ajustarla en el modo de espera.

7 Palanca del zoom (159, 161, 162)

Cuando el selector de modo se encuentra en la posición

Permite ajustar el ángulo de visión. En la mayoría de las identificaciones, se regula el tamaño del rostro en la foto. Al utilizar la función de zoom, es posible ajustar el tamaño del rostro y mantener la cámara en una posición fija al mismo tiempo. Puede utilizar un zoom de hasta 2x.

T: zoom teleobjetivo.

W: zoom gran angular.

Cuando el selector de modo se encuentra en la posición


Durante la reproducción, permite alternar entre la visualización de nueve fotografías y la de una sola.


T: la visualización de nueve fotografías cambia a la de una sola.

W: se alterna entre la visualización de una sola fotografía y la de nueve.


Mientras se visualiza la pantalla AJUSTE

Permite ampliar o reducir la imagen en pantalla.

T (): permite ampliar una imagen.


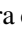
W (): permite reducir una imagen ampliada.

8 Botón PRINT (162)

Cuando el selector de modo se encuentra en la posición  o durante la visualización de comprobación automática, pulse este botón para imprimir la imagen que aparece en la pantalla LCD. Pulse este botón una vez para que aparezca la pantalla de ajuste y púselo nuevamente para enviar los datos de imagen a la impresora para su impresión.

9 Botones de control

Cuando el selector de modo se encuentra en la posición

Utilice  o  para cambiar el valor de compensación de exposición (valor EV).

Cuando el selector de modo se encuentra en la posición

Utilice  o  para seleccionar una imagen reproducida y visualizarla en la pantalla LCD.

Mientras se visualiza la pantalla AJUSTE

Utilice estos botones para desplazar la imagen mostrada hacia arriba, hacia abajo, a la izquierda o a la derecha.

Cuando se desplace por los menús

Utilice estos botones para seleccionar y ajustar los elementos del menú.

10 Botón ENTER

Pulse este botón para confirmar una selección u operación. Durante la visualización de comprobación automática o la reproducción de imágenes, aparecerá la pantalla AJUSTE al pulsar este botón.

Mientras se visualiza la pantalla AJUSTE, al pulsar este botón se aplicarán los ajustes de tamaño de imagen y volverá a mostrarse la pantalla anterior.

11 Botón MENU (165, 167)


Pulse este botón para que aparezcan los menús. También puede pulsar este botón para salir de los menús o para volver a la visualización de comprobación automática desde la pantalla AJUSTE.


Nota

Si utiliza el botón MENU para salir de un menú o para volver a la pantalla de comprobación automática desde la pantalla AJUSTE, no se aplicarán los ajustes que haya realizado.

12 Selector de modo (158, 164)

Permite alternar entre los dos modos siguientes.

: Modo de toma de fotografías

: Modo de reproducción

13 Tapa del compartimento de las pilas (153)

Inserte cuatro pilas recargables Sony AA NiMH (hidruro de níquel-metal) disponibles en el mercado (tipo NH-AA, máx. 2.700 mAh).

14 Cubierta del conector externo (152, 153)

Abra esta cubierta cuando conecte la cámara al adaptador de alimentación de ca o al flash externo.

15 Toma DC IN (152)

Permite conectar el adaptador de alimentación de ca suministrado.

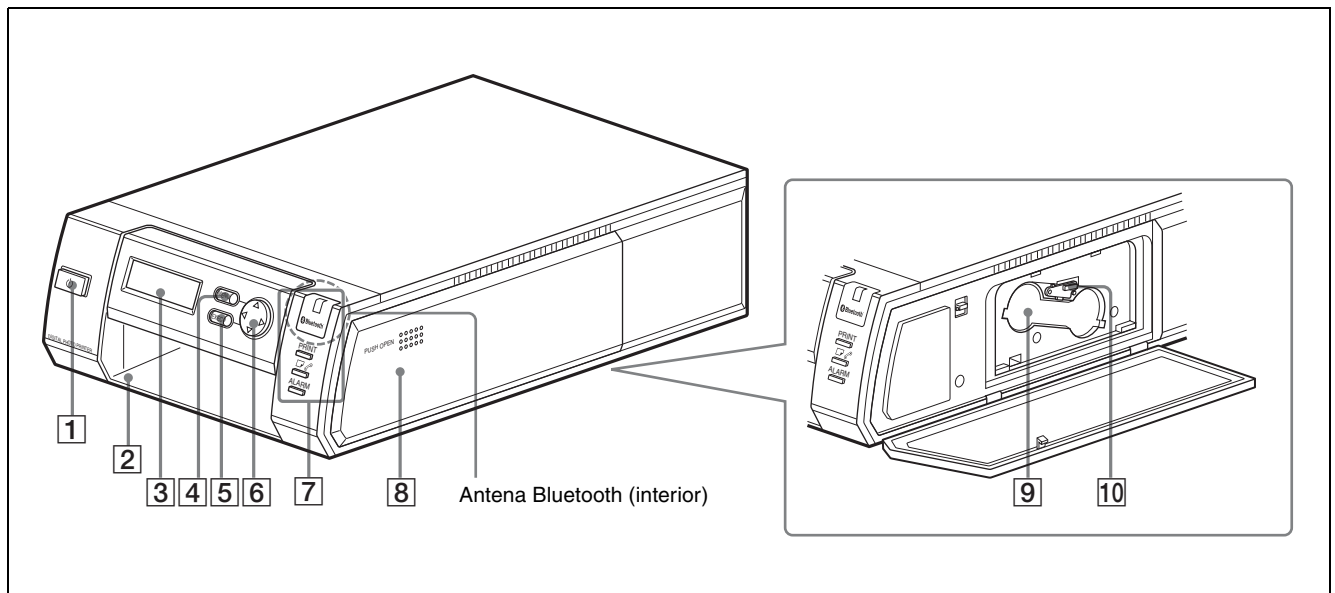
16 Terminal FLASH

Conecte un cable de un flash externo compatible con una conexión X sync.

Cuando se conecta un flash externo compatible con una conexión X sync mediante un cable de sincronización, el flash se ilumina en sincronización con el obturador.

Impresora

Parte frontal



1 Botón/indicador (encendido/en espera) (157)

Al pulsar este botón, se ilumina el indicador y se enciende la impresora. Al pulsarlo nuevamente, el indicador se apaga y la impresora entra en el modo de espera.

2 Ranura de la bandeja para papel (155)

Inserte la bandeja para papel en esta ranura.

3 Pantalla de operaciones

Cuando la impresora está encendida, se muestra en ella información, como el estado de la operación y los elementos del menú.

4 Botón MENU (170)

Pulse este botón para que aparezcan los menús o para anular los cambios realizados en ellos.


5 Botón EXEC (Ejecutar) (164, 189)

Pulse este botón para ejecutar elementos del menú que se seleccionan mientras se desplaza por los menús y después de cambiar el cartucho de cinta.


6 Botón de control (163, 189)

Cuando se desplace por los menús, utilice este botón para seleccionar y ajustar los elementos del menú.

7 Indicadores

Indicador  Bluetooth® : se ilumina cuando se activa la función Bluetooth.

Indicador PRINT: se ilumina cuando la impresión está en curso y parpadea cuando la impresora está recibiendo los datos de imagen.

Indicador  : se ilumina cuando se termina el papel o el cartucho de impresión, o cuando éstos no tienen el mismo tamaño.

Indicador ALARM: se ilumina cuando se produce un error, por ejemplo cuando se atasca el papel.

8 Cubierta del cartucho de impresión (156)

Cuando introduzca o extraiga los cartuchos de impresión, presione el área donde se lee PUSH OPEN (presione para abrir) para abrir la cubierta.

9 Ranura del cartucho de impresión (156)

Introduzca en ella el cartucho de impresión.

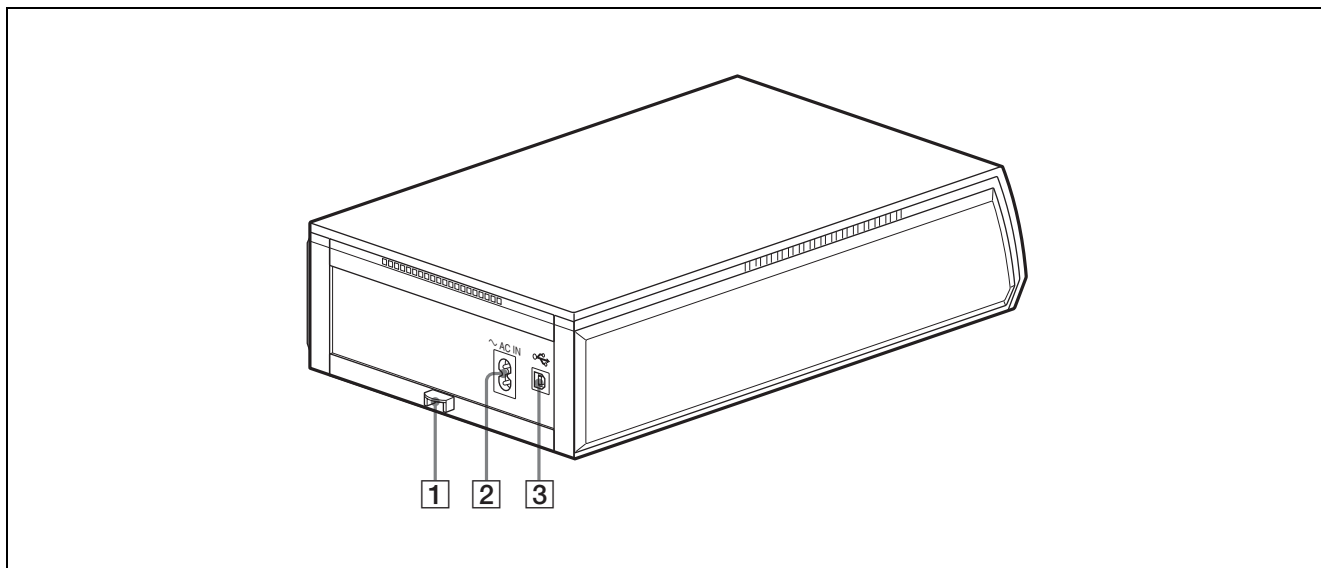
10 Palanca de liberación del cartucho (156)

Levante esta palanca para extraer el cartucho de impresión.

Nota

Esta palanca se encuentra desactivada mientras se está realizando una impresión.

Parte posterior



1 Cubierta de atasco de papel (205)

Retire esta cubierta cuando se produzca un atasco de papel y retire el papel atascado.

2 ~Conector ~AC IN (157)

Conéctelo a una toma de corriente mediante el cable de alimentación.

3 Conector USB

No se utiliza en este sistema.

Accesorios suministrados

Comprobación del contenido

Asegúrese de haber recibido los siguientes accesorios con el sistema.

Bandeja para papel para la serie UPC-X46 (1)

Bandeja para papel para la serie UPC-X34 (1)

Cubierta de la bandeja (1)

Adaptador de alimentación de ca UPA-AC05 (1)

Casete de limpieza (1)

Tarjeta de garantía (1)

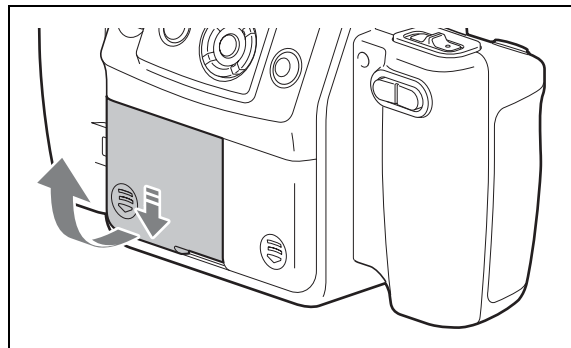
Manual de instrucciones (1 juego)

Guía rápida de consulta (1)

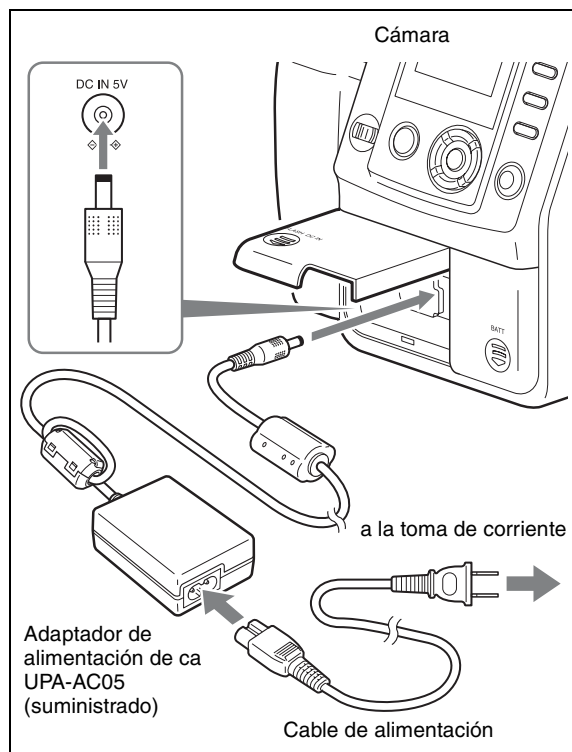
Preparativos

Preparación de la cámara

- 1 Deslice la cubierta del conector externo para abrirla.



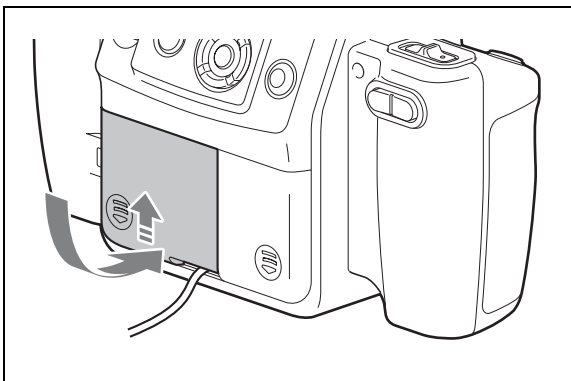
- 2 Conecte el adaptador de alimentación de ca UPA-AC05 a la toma DC IN de la cámara y conecte el adaptador de ca a la toma de corriente mediante el cable de alimentación.



Nota

Asegúrese de que el adaptador de alimentación de ca se encuentre cerca de la toma de corriente durante su uso. Si la cámara no funciona correctamente, desconecte el adaptador de alimentación de ca de la toma de corriente para interrumpir el suministro eléctrico.

- 3** Cierre la cubierta del conector externo y presiónela mientras la desliza para asegurarse de que encaje correctamente.



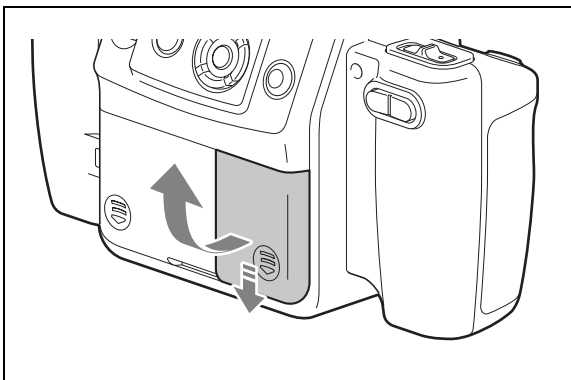
Al utilizar pilas

Para la cámara de este sistema, es posible utilizar cuatro pilas de hidruro de níquel-metal de tamaño AA disponibles en el mercado. Realice los pasos siguientes para insertar las pilas en la cámara.

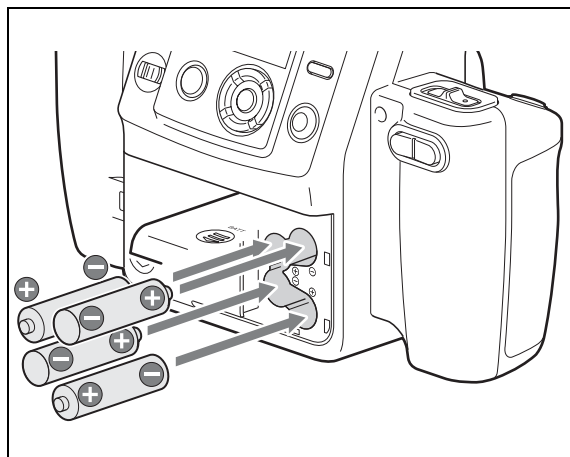
Nota

Utilice sólo pilas Sony NH-AA (máx. 2.700 mAh).

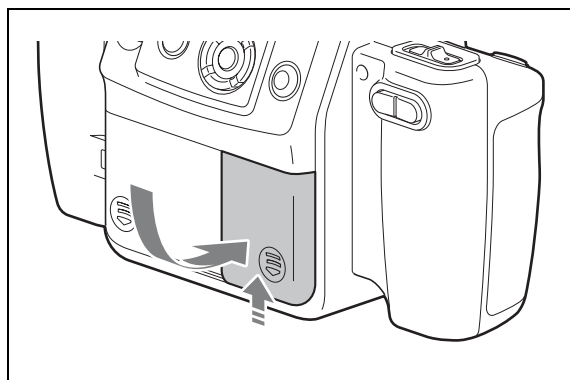
- 1** Deslice la tapa del compartimiento de las pilas que se encuentra en la parte posterior de la cámara para abrirla.



- 2** Inserte las cuatro pilas de tamaño AA.




- 3** Cierre la tapa y presione hacia abajo mientras la desliza para asegurarse de que encaje correctamente.







Indicadores del estado de energía

Al utilizar una fuente de alimentación de ca

Aparece el icono  en la parte inferior derecha de la pantalla LCD de la cámara.

Al utilizar pilas

Los siguientes iconos aparecen en la parte inferior derecha de la pantalla LCD de la cámara. Utilícelos para tener una idea general acerca de cuándo cambiar las pilas.

Indicador	Estado de energía
	La carga de las pilas es suficiente.
	La carga de las pilas es reducida, pero aún puede realizar operaciones de la cámara. Prepare el adaptador de alimentación de ca o un nuevo juego de pilas.
	La carga de las pilas es baja y, en breve, se desactivarán las operaciones. Utilice el adaptador de alimentación de ca o sustituya las pilas.
 (parpadeando)	Las pilas están completamente descargadas. Se han desactivado las operaciones.

Notas

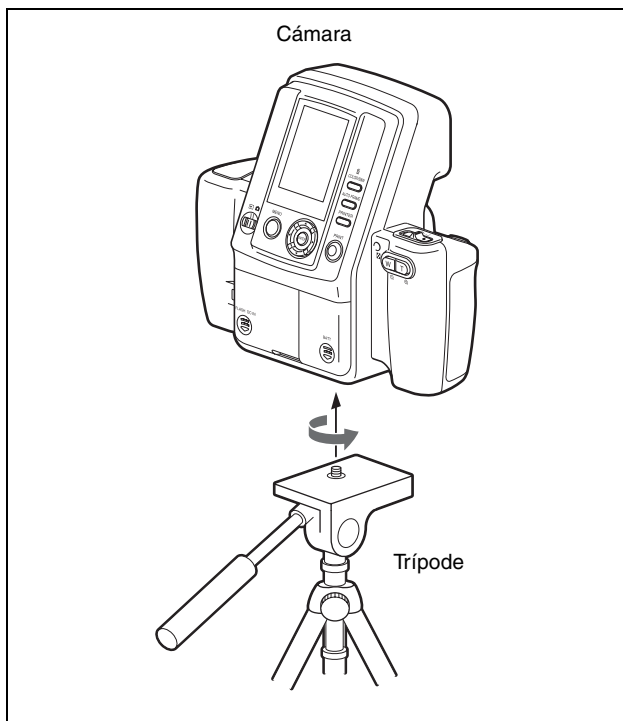
- Al conectar el adaptador de alimentación de ca con las pilas instaladas en la cámara, éstas no se recargarán. Para recargar las pilas, utilice el cargador de pilas diseñado específicamente.
- Los iconos del indicador de batería anteriores están optimizados para pilas de hidruro de níquel-metal de Sony (tipo 2.000 mAh o 2.500 mAh). Si utiliza otros tipos de pilas, tenga en cuenta que es posible que éstas se descarguen sin indicación previa.

Para instalar un trípode

Puede instalar la cámara en un trípode mediante el orificio para el tornillo del trípode que se encuentra en la parte inferior de la cámara.

Nota

Apriete el tornillo para el trípode con firmeza. Si el tornillo está flojo, la cámara podría caerse. Sin embargo, si se aplica demasiada fuerza al apretar, se puede dañar el orificio del tornillo. Asegúrese de que el tornillo esté recto antes de apretarlo.



Preparación de la impresora

Antes de utilizar la impresora por primera vez, realice los siguientes pasos para insertar el cartucho de impresión y la bandeja para papel. No es necesario realizar estos preparativos en cada uso. Llévelos a cabo sólo cuando sea necesario.

Paquetes de impresión

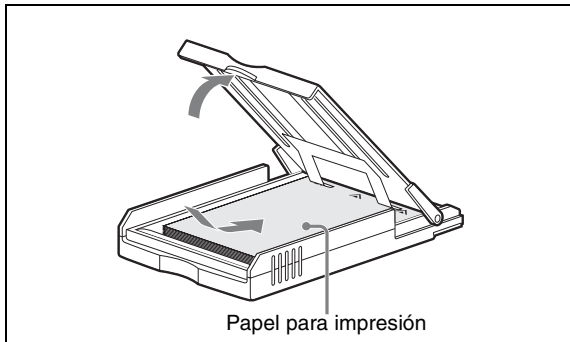
Para poder imprimir, se necesita un paquete de impresión diseñado para esta impresora (serie UPC-X46 o serie UPC-X34) (no suministrado). Un paquete de impresión es un juego que contiene papel para impresión y un cartucho de impresión.

Notas

- No rebobine la cinta de tinta ni utilice el cartucho de impresión rebobinado para imprimir. Si lo hace, la impresión no tendrá los resultados adecuados y puede dañarse la impresora.
- Utilice únicamente los paquetes de impresión diseñados para la impresora.
- Utilice siempre juegos de cartuchos de impresión y papel para impresión que coincidan en tamaño. Si se utiliza el cartucho de impresión junto con papel de distinto tamaño, la impresión no tendrá los resultados adecuados y se pueden producir atascos de papel u otros problemas.
- No imprima sobre papel usado. Si imprime una imagen dos veces sobre el mismo papel, no logrará que ésta se vea más oscura, y es posible que se dañe la impresora.
- Evite tocar la superficie de impresión del papel y la cinta de tinta del cartucho y almacenar paquetes de impresión en lugares que estén sujetos a altas temperaturas, humedad, exceso de polvo o luz solar directa. Las huellas digitales o el polvo sobre la superficie de impresión o sobre la cinta de tinta pueden disminuir la calidad de la impresión.
- Cuando retire los cartuchos de impresión parcialmente usados y el papel de la impresora para almacenarlos, guárdelos en su paquete original.

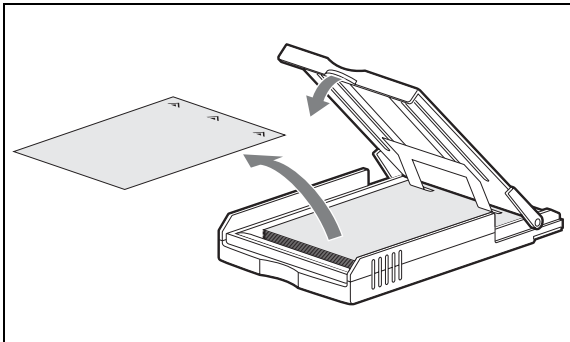
Para cargar el papel para impresión

- 1 Cargue el papel para impresión en la bandeja para papel.



Airee el papel de impresión antes de cargarlo con la superficie de impresión (el lado sin sobreimpresión) orientada hacia arriba. Asegúrese de que la flecha que se encuentra en la lámina de protección apunte en la misma dirección que la flecha de la bandeja. Es posible cargar hasta 25 hojas cuando utilice la serie UPC-X46 o y 30 hojas cuando utilice la serie UPC-X34.

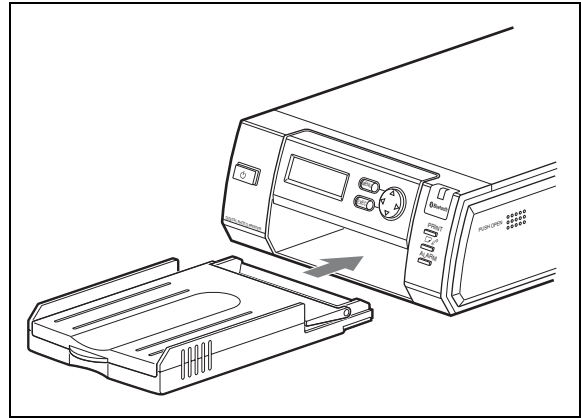
- 2 Retire la lámina de protección del papel para impresión.



Nota

Asegúrese de conservar la lámina de protección, ya que se empleará para limpiar el interior de la impresora.


- 3 Inserte la bandeja para papel en la impresora hasta que encaje en su sitio.



Nota

No toque la superficie de impresión. Las huellas digitales o el polvo sobre la superficie de impresión pueden disminuir la calidad de la impresión.

Notas acerca de la carga del papel para impresión

- Cargue papel para impresión de la serie UPC-X46 en la bandeja para papel más grande y papel de la serie UPC-X34 en la bandeja para papel más pequeña. Si el tamaño de la bandeja para papel y del papel no coincide, es posible que se produzca un atasco de papel.
- No retire ni inserte la bandeja para papel mientras se está imprimiendo.
- Si la bandeja para papel no alimenta papel automáticamente, se iluminará el indicador  y aparecerá un mensaje. Tire de la bandeja para papel para extraerla y compruebe que no haya ningún atasco de papel.
- Cuando cargue papel de impresión adicional en la bandeja, asegúrese de que la cantidad total de hojas no exceda las 25 para la serie UPC-X46 o las 30 hojas para la serie UPC-X34. No cargue distintos tipos de papel en la bandeja al mismo tiempo. Si lo hace, es posible que se produzca un atasco del papel.
- No escriba ni imprima texto en el papel para impresión antes de imprimirlo. Es posible que la impresora no pueda imprimir sobre un papel ya escrito. Cuando escriba sobre una imagen después de imprimirla, utilice un rotulador de tinta a base de aceite. El texto de los procesadores de texto no puede imprimirse sobre la superficie de impresión.
- No coloque adhesivos ni cinta sobre el papel para impresión antes de imprimirlo.
- No imprima sobre papel usado. Si imprime una imagen dos veces sobre el mismo papel, no logrará que ésta se vea más oscura, y es posible que se dañe la impresora.
- No pliegue ni doble el papel para impresión antes de imprimirlo. Si lo hace, puede dañar la impresora.

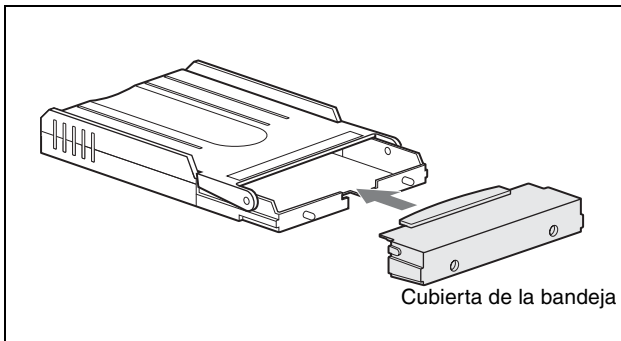
- Cuando el papel es expulsado después de la impresión, no permita que se acumulen más de 5 hojas en la bandeja para papel. Si lo hace, es posible que se produzca un atasco de papel.

Notas sobre el almacenamiento

- Evite el almacenamiento en lugares sujetos a altas temperaturas, humedad, polvo excesivo o luz solar directa.
- No almacene hojas de papel para impresión de manera que las superficies de impresión se toquen entre sí. Tampoco permita que las superficies de impresión permanezcan en contacto con materiales plásticos o de goma que contengan cloruro de vinilo o plastificante durante períodos prolongados de tiempo. Si lo hace, es posible que se decoloren o se blanqueen.
- Cuando retire papel para impresión sin usar para almacenarlo, guárdelo en su paquete original.

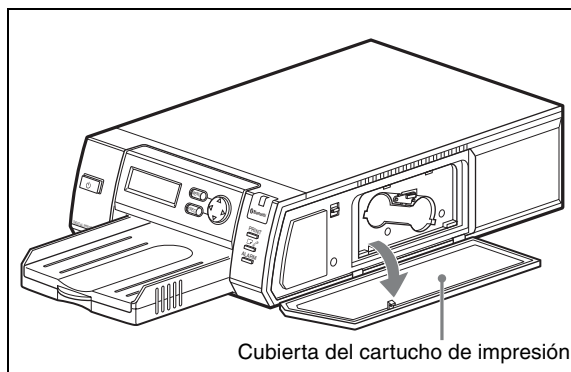
Para colocar la cubierta de la bandeja

Coloque la cubierta de la bandeja suministrada sobre la bandeja para papel cuando no utilice esta última para proteger el papel para impresión que se encuentra dentro del polvo y de otras partículas. Puede colocar una cubierta de bandeja en cualquier bandeja para papel de las series UPC-X46 y UPC-X34.

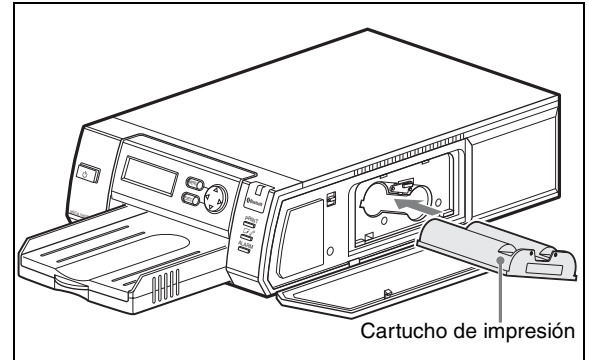


Para cargar el cartucho de impresión

- 1 Presione la parte superior de la cubierta del cartucho de impresión donde se lee PUSH OPEN (presione para abrir) para abrirla.

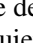


- 2 Inserte el cartucho de impresión en la ranura del cartucho y presione hasta que quede encajado.

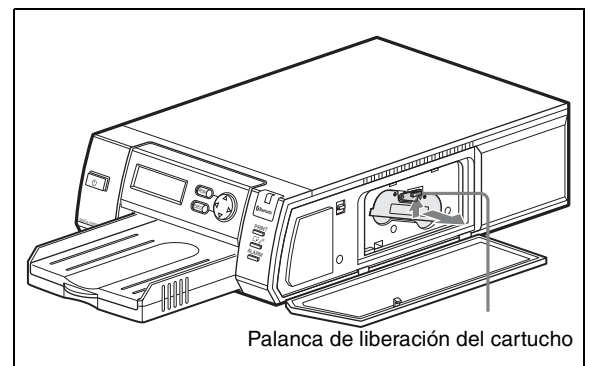


- 3 Cierre la cubierta del cartucho de impresión.
- 4 Pulse el botón EXEC.

Para cambiar el cartucho de impresión

Cuando se termina el cartucho de impresión, se ilumina el indicador  y aparece un mensaje de error en la pantalla de operaciones. Realice los siguientes pasos para cambiar el cartucho de impresión.

- 1 Presione la parte superior de la cubierta del cartucho de impresión donde se lee PUSH OPEN (presione para abrir) para abrirla.
- 2 Levante la palanca de liberación del cartucho.

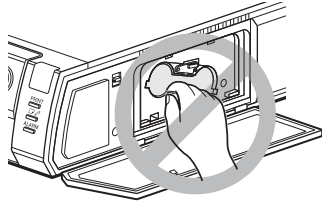


El cartucho se desengancha, con lo que podrá extraerlo.

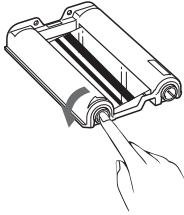
- 3 Inserte un cartucho de impresión nuevo y cierre la cubierta.
- 4 Pulse el botón EXEC.


Notas

- Nunca ponga las manos dentro de la ranura del cartucho, ya que el interior puede alcanzar altas temperaturas.



- No rebobine la cinta de tinta ni utilice el cartucho de impresión rebobinado para imprimir. Si lo hace, la impresión no tendrá los resultados adecuados y puede dañarse la impresora.
- Si el cartucho de impresión no se inserta correctamente, extráigalo y vuelva a colocarlo. Si la cinta de tinta está demasiado floja para ser cargada, estírela rebobinando la cinta en la dirección que indica la flecha mientras presiona el carrete. Éste es el único caso en el que debe rebobinarse la cinta.



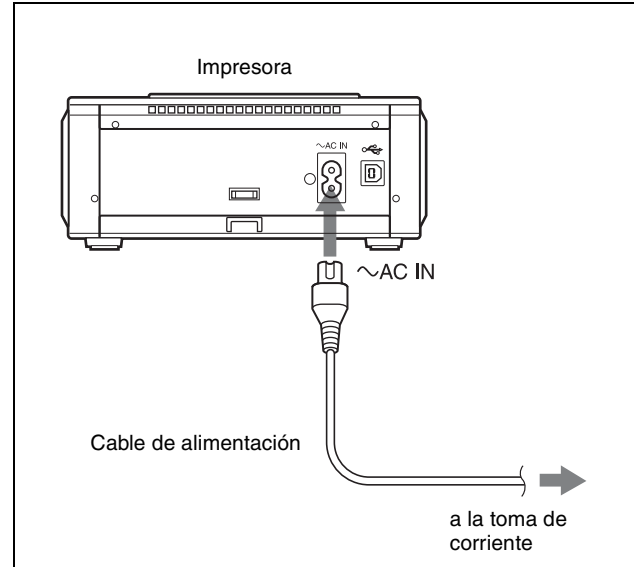
- Cuando enciende la impresora sin el cartucho de impresión cargado, se ilumina el indicador .
- No toque la cinta de tinta ni coloque el cartucho de impresión en un lugar polvoriento. Las huellas digitales o el polvo sobre la cinta de tinta pueden disminuir la calidad de la impresión.
- No retire ni inserte los cartuchos mientras se está imprimiendo.

Notas sobre el almacenamiento

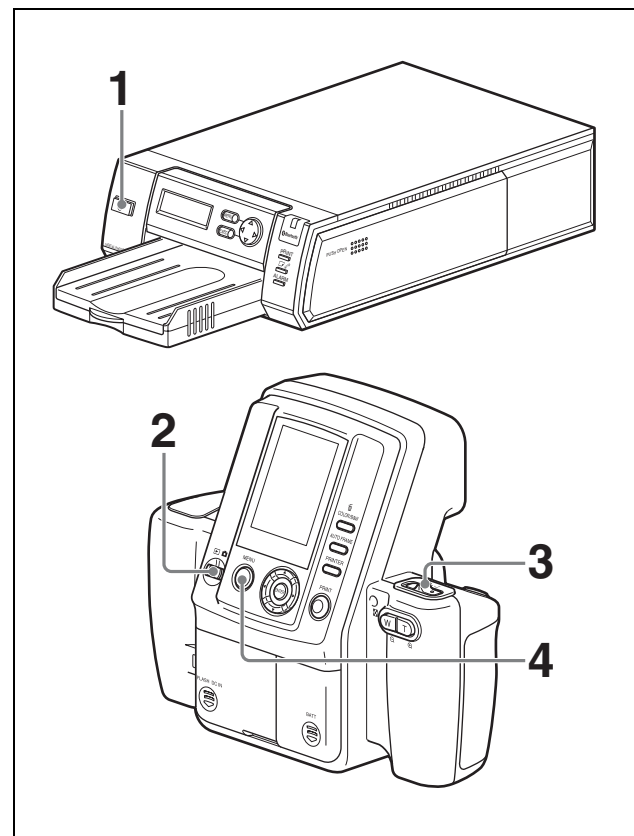
- Evite el almacenamiento en lugares expuestos a altas temperaturas, humedad, polvo excesivo o luz solar directa.
- Cuando retire un cartucho de impresión parcialmente usado para almacenarlo, guárdelo en su paquete original.

Para conectar la impresora a una toma de corriente

Conecte la impresora a una toma de corriente mediante el cable de alimentación.




Conexión de la alimentación



1 Encienda la impresora.

Compruebe que aparece Ready BT RSSI [- - -] en la pantalla de operaciones.

- 2 Ajuste el selector de modo de la cámara en la posición .
- 3 Ajuste el interruptor de encendido/en espera de la cámara en la posición I (encendido).

Cuando encienda la cámara por primera vez, aparecerá la pantalla de los ajustes predeterminados.

Para obtener más información acerca de los ajustes predeterminados, consulte "La primera vez que se enciende la cámara (ajuste predeterminado)" en la página 158.

La cámara inicia la búsqueda de la impresora y aparece "IDENTIF.DISPOSITIVO" en la pantalla LCD. Cuando la cámara encuentra la impresora, aparece "DISPOSIT.IDENTIFIC.", y se muestran el nombre de la impresora y la dirección Bluetooth en negro en la pantalla LCD. Si el color del nombre de la impresora y de la dirección Bluetooth no cambia a negro, sino que permanece atenuado, ajuste la impresora y la cámara en modo de espera, y realice los pasos del 1 al 3 de nuevo.

- 4 Pulse cualquier botón de la cámara.

La indicación Bluetooth se desactiva y puede comenzar a tomar fotografías.

Si el nombre de la impresora y la dirección Bluetooth se siguen mostrando en gris y no aparece "DISPOSIT.IDENTIFIC." o aparece "NO HAY IMPRESORA", consulte "Adición/registro de una impresora" en la página 196 y tome las medidas oportunas. Si el problema persiste, póngase en contacto con su distribuidor Sony o con un centro de atención al cliente de Sony.

La primera vez que se enciende la cámara (ajuste predeterminado)


Cuando encienda la cámara por primera vez, aparecerá la pantalla de los ajustes predeterminados antes de que se establezca una conexión con la impresora a través de Bluetooth. Realice los pasos siguientes para seleccionar un idioma y una región.

- 1 Pulse el botón de control ▲ o ▼ para seleccionar un idioma y, a continuación, pulse el botón ENTER. Aparecerá la pantalla REGIÓN.
- 2 Pulse el botón de control ▲ o ▼ para seleccionar una región y, a continuación, pulse el botón ENTER. Aparecerá la pantalla de confirmación del idioma y la región que ha seleccionado.

- 3 Pulse el botón de control ▲ o ▼ para seleccionar ACEPTAR y, a continuación, pulse el botón ENTER.

Para ajustar la impresora y la cámara en modo de espera

Cuando finalice la operación, ajuste la impresora y la cámara en modo de espera.

- 1 Pulse el botón de encendido/en espera para ajustar la impresora en el modo de espera. El indicador se apaga y la impresora entra en modo de espera.
- 2 Ajuste el interruptor de encendido/en espera de la cámara en la posición  (en espera).

La cámara almacena los últimos datos de configuración en la memoria y se activa el modo de espera. Mientras la cámara está almacenando datos, aparece el reloj en la pantalla LCD y el indicador de modo de espera permanece iluminado. Durante la transferencia de datos para su almacenamiento, no desconecte el adaptador de alimentación de ca ni extraiga las pilas.

Nota

Si corta el suministro eléctrico al desconectar el adaptador de alimentación de ca o al quitar las pilas mientras la cámara transfiere datos de ajustes a la memoria, puede perderse algún ajuste nuevo y es posible que la cámara vuelva a los ajustes anteriores.

Operaciones (toma de fotografías e impresión)

Ajustes de la resolución de la imagen

Si desea priorizar la calidad de las fotografías, se recomienda ajustar RESOLUCIÓN en ALTA de antemano.

Para obtener más información sobre cómo seleccionar la resolución de una imagen, consulte "Ajuste de la resolución de la imagen" en la página 171.

Ajustes de las condiciones de toma de fotografías

Aunque los ajustes de las condiciones de toma de fotografías de la cámara vienen definidos de fábrica para permitir tomar fotografías sin configuración manual, las condiciones de toma de fotografías se pueden cambiar según sea necesario mediante el menú de toma de fotografías.

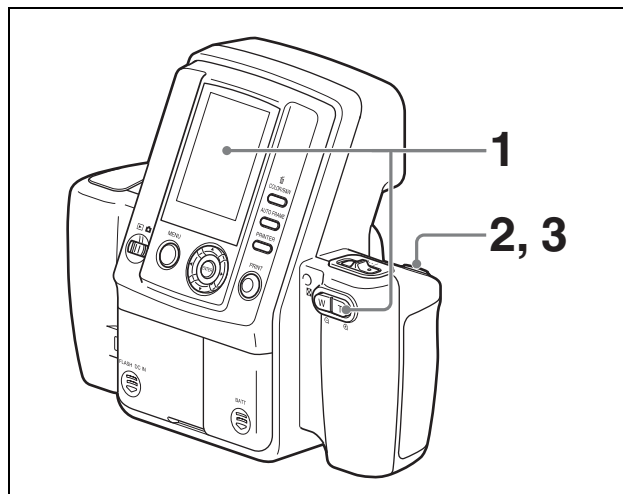
Le recomendamos que realice los ajustes en función del entorno de uso.

Para obtener más información sobre el ajuste de las condiciones de toma de fotografías, consulte "Parámetros de ajuste del modo de flash" en la página 146.

Nota

Es posible que se dañen las imágenes y que la cámara no funcione correctamente si se interrumpe la alimentación durante la toma o eliminación de fotografías. Asegúrese de que el adaptador de alimentación de ca no se desconecte y de que la tapa del compartimiento de las pilas no se abra durante el funcionamiento.

Toma de fotografías



- 1** Oriente la cámara hacia el motivo y ajuste el encuadre mientras controla la pantalla LCD de la cámara.
Si presiona la palanca del zoom, podrá realizar acercamientos mientras ajusta el encuadre.
T: zoom teleobjetivo.
W: zoom gran angular.
Cuando componga la imagen, asegúrese de que el rostro del motivo quepa en el encuadre de la pantalla LCD. Amplíe el rostro tanto como sea posible siempre que se mantenga dentro del encuadre.
- 2** Pulse el botón del disparador hasta la mitad para realizar el enfoque.
Una vez que el motivo está enfocado, aparece una marca de enfoque verde en la pantalla LCD.
Si la marca de enfoque se vuelve roja al pulsar el botón del disparador hasta la mitad, significa que la fotografía no está enfocada. Pulse de nuevo lentamente el botón del disparador hasta la mitad.
- 3** Pulse hasta la mitad el botón del disparador hasta que la marca del enfoque se vuelva verde y, a continuación, púselo completamente.
Se toma la fotografía, que aparece de inmediato en la pantalla LCD. Esta función también se conoce como visualización de comprobación automática.
Al mismo tiempo, la fotografía también se guarda en la memoria interna de la cámara. Durante la transferencia de datos a la memoria, el indicador de modo de espera parpadea rápidamente en color naranja. Una vez que los datos se almacenan y que se carga el flash integrado para la siguiente fotografía, el indicador de modo de espera se ilumina en naranja.

Las fotografías pueden imprimirse directamente desde la pantalla de visualización de comprobación automática sin cambiar la posición del selector de modo.

Para obtener más información, consulte “Impresión de la última fotografía tomada (desde la pantalla de visualización de comprobación automática de la imagen)” en la página 161.

Para tomar la próxima foto, pulse el botón del disparador o presione la palanca del zoom para desactivar la visualización de comprobación automática de la imagen y, a continuación, repita los pasos **2** y **3**.

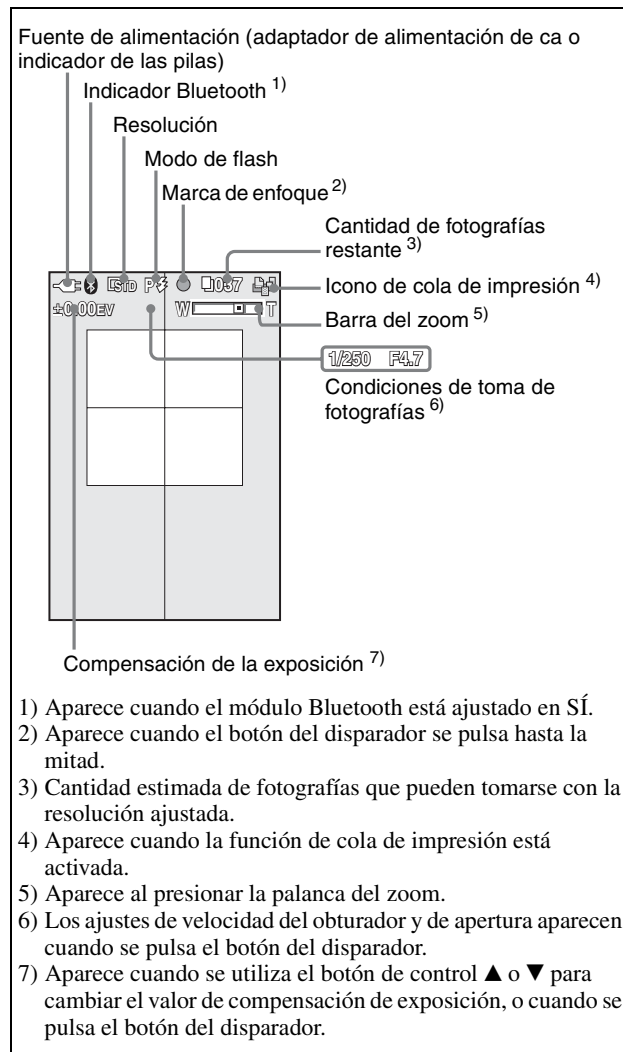
Para eliminar la última fotografía tomada

Realice los siguientes pasos para eliminar la última fotografía tomada mientras aparece en la visualización de comprobación automática de la imagen.

- 1 Pulse el botón . Aparecerá una pantalla en la que se le solicitará que confirme la eliminación.
- 2 Pulse el botón de control para seleccionar ACEPTAR y, a continuación, pulse el botón ENTER. Se eliminará la fotografía que se muestra en la pantalla LCD y la cámara volverá al modo de toma de fotografías.

Pantalla LCD en el modo de toma de fotografías

A continuación se muestra un ejemplo de cómo puede aparecer la pantalla LCD cuando el selector de modo está ajustado en .



Nota

Para facilitar la definición del encuadre el motivo, esta cámara mantiene el brillo de la pantalla LCD en un nivel determinado, independientemente de la exposición, el brillo del motivo o las condiciones de iluminación de las áreas que lo rodean. Por este motivo, el brillo de la pantalla LCD difiere del brillo real de la fotografía tomada.

Función de enfoque automático

Al pulsar el botón del disparador hasta la mitad, se activa la función de enfoque automático. Una vez que el motivo está enfocado, aparece una marca de enfoque verde en la parte superior de la pantalla LCD. Al pulsar el botón a fondo, el obturador se dispara y se toma la fotografía.

Si el motivo está desenfocado cuando se pulsa el botón hasta la mitad, aparece una marca de enfoque roja en la pantalla LCD. Quite el dedo del botón del disparador y luego pulse lentamente el botón hasta la mitad, una vez más. Aunque aparezca la marca de enfoque roja, puede pulsar el botón del disparador hasta el fondo para tomar la fotografía.

Si pulsa el botón del disparador por completo en lugar de hacerlo hasta la mitad, igualmente se toma la foto, pero las funciones de enfoque automático y compensación de la exposición no se activarán.

Si la opción SONIDO del menú CONFIGURACIÓN está ajustada en OBTURADOR o en SÍ, se escuchará un sonido cuando el botón del disparador se pulse hasta la mitad y cuando vuelva a pulsarse completamente.

Nota

Si al pulsar el botón del disparador lentamente hasta la mitad no se enfoca la imagen, ajuste la cámara en modo de espera y, a continuación, enciéndala de nuevo.

Además, es posible que la función de enfoque automático no funcione correctamente en las siguientes situaciones:

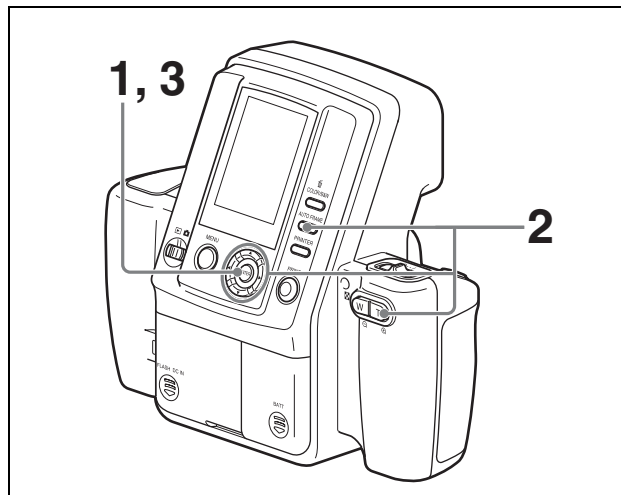
- El motivo carece de contraste suficiente.
- El motivo incluye un objeto extremadamente brillante.
- El fondo es demasiado oscuro.
- El motivo se encuentra situado a menos de 80 cm de la cámara.

Función de compensación de la exposición

Para conseguir fácilmente la compensación de la exposición, pulse ▲ o ▼ del botón de control. Cada vez que pulse el botón, cambiará el valor de compensación de exposición que aparece en la pantalla LCD.

Para obtener más información acerca de la compensación de la exposición, consulte "Compensación de la exposición" en la página 174.

Impresión de la última fotografía tomada (desde la pantalla de visualización de comprobación automática de la imagen)



- 1** Durante la visualización de comprobación automática, pulse el botón ENTER. Aparece la pantalla AJUSTE y se muestra un encuadre en rojo en la pantalla LCD.
- 2** Ajuste el tamaño de la imagen.
 - 1)** Pulse el botón AUTO FRAME. La imagen se ajustará automáticamente para que el tamaño del rostro del motivo quepa en el encuadre.
 - 2)** En caso necesario, utilice los botones siguientes para ajustar el tamaño de la imagen.
 - Puede utilizar la palanca del zoom para ampliar la imagen o para reducir la imagen ampliada.
 - Puede pulsar el botón de control ▲, ▼, ◀ o ▶ para mover la posición de la imagen en la pantalla.

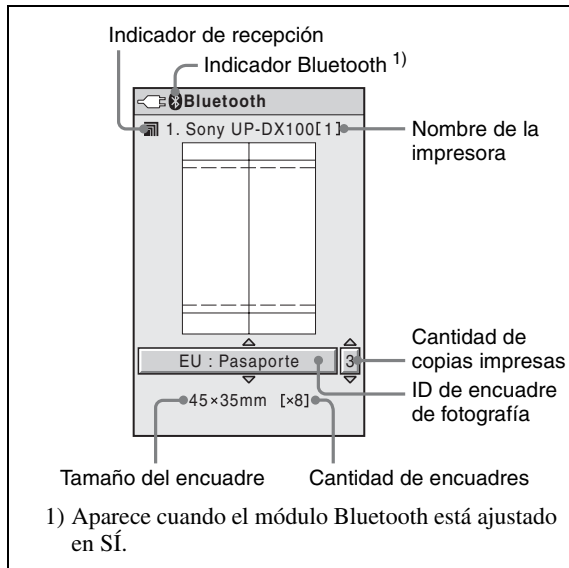
Nota

Si pulsa el botón AUTO FRAME para una imagen con un fondo irregular, es posible que la función de ajuste automático no funcione correctamente. En estos casos, pulse los botones del zoom o el botón de control ▲, ▼, ◀ o ▶ para ajustar el tamaño y la posición en pantalla manualmente.

Asimismo, es posible que la función de ajuste automático no funcione correctamente si el rostro es demasiado grande o demasiado pequeño para el encuadre de la pantalla LCD.

- 3** Pulse el botón ENTER.
Se vuelve a mostrar la visualización de comprobación automática en la pantalla LCD. Se aplican los ajustes y la cámara regresa a la visualización de comprobación automática. Si pulsa el botón MENU, la cámara regresará a la visualización de comprobación automática sin que se apliquen los ajustes.

- 4** Pulse el botón PRINT.
Aparecerá la pantalla de vista previa de impresión. Para volver a la pantalla de comprobación automática (o pantalla de reproducción), puede pulsar el botón MENU.



Puede utilizar el indicador de recepción de la parte superior izquierda de la pantalla para comprobar el estado de la recepción.

■ ■ : La recepción es buena.

■ ■ : La recepción es débil, por lo que es posible que necesite más tiempo para enviar fotografías.

No mueva la cámara ni la impresora hasta que la transmisión de datos finalice.

- 5** Pulse el botón de control ▲ o ▼ para seleccionar un encuadre de fotografía de identificación. Pulse el botón ▲ o ▼ varias veces hasta que aparezca el encuadre de fotografía de identificación deseado.

Para obtener más información, consulte “Configuración de un encuadre para visualizar durante la impresión” en la página 176.

- 6** Especifique la cantidad de copias que desea imprimir.

- 1)** Pulse el botón de control ► una vez.
Ahora puede seleccionar la cantidad de copias que desea imprimir.

- 2)** Pulse el botón de control ▲ o ▼ para seleccionar la cantidad de copias que desea imprimir.

- 7** Pulse el botón COLOR/B&W para seleccionar si desea obtener las impresiones en color o en blanco y negro.

- 8** En caso necesario, ajuste el tamaño de la imagen para que coincida con el del encuadre de fotografía de identificación seleccionado.

- 1)** Pulse el botón ENTER.
Aparecerá la pantalla AJUSTE.

- 2)** Pulse el botón AUTO FRAME.
La imagen se ajustará automáticamente para que el tamaño del rostro del motivo quepa en la pantalla.

- 3)** En caso necesario, utilice los botones siguientes para ajustar el tamaño de la imagen.
– Puede presionar la palanca del zoom para ampliar o reducir la imagen.
– Puede pulsar los botones de control (▲▼◀▶) para mover la parte de la imagen que se muestra en la pantalla.

- 4)** Pulse el botón ENTER para volver a la pantalla de vista previa de impresión.

- 9** Vuelva a pulsar el botón PRINT.

Los datos de imagen se transmiten a la impresora y aparecen el mensaje “TRANSMITIENDO” y la barra de progreso en la pantalla LCD.


Mientras el botón CANCEL permanece iluminado en naranja, puede pulsar el botón ENTER para cancelar la transmisión de datos.

Cuando la transmisión de datos finalice, el botón CANCEL cambiará a gris. La impresora comprueba el paquete de impresión y, a continuación, inicia la impresión.

Notas


- Una vez que el botón CANCEL ha cambiado a gris, no es posible cancelar la operación de impresión.
- No toque ningún botón de la cámara mientras el botón CANCEL se encuentre atenuado.

Cuando se inicie la impresión, aparecerá el mensaje “FIN DE TRANSMISIÓN. PULSE TECLA MENÚ PARA CONTINUAR.” en la pantalla LCD de la cámara. Pulse el botón MENU para cerrar el mensaje.

Si ajusta el selector de modo en , la pantalla LCD regresará a la visualización de comprobación automática. Una vez finalizada la impresión, puede

imprimir la misma fotografía de nuevo en un tamaño o color diferente, etc.

También puede tomar otra fotografía durante la impresión. Para tomar la próxima fotografía, pulse el botón del disparador hasta la mitad o presione la palanca del zoom para desactivar la visualización de comprobación automática de la imagen.

Si ajusta el selector de modo en , la pantalla LCD regresará a la imagen reproducida.

Cuando se imprime una imagen, ésta se expulsa en la bandeja para papel de la impresora.

Se imprime un número de imagen en la parte inferior de la imagen impresa. Se trata del mismo número que aparece en la parte superior de la pantalla LCD durante la reproducción de la imagen.

Nota

Evite que se acumulen hojas impresas en la bandeja para papel. Asegúrese de retirar las hojas expulsadas en la bandeja para papel cada cinco hojas.

Para ajustar la calidad de impresión

En la cámara, puede ajustar la calidad de impresión de forma independiente para las fotografías en color y las fotografías en blanco y negro, y almacenar los valores ajustados. Una vez que se almacenan estos valores, la cámara selecciona automáticamente el valor ajustado para las impresiones en color y las impresiones en blanco y negro, respectivamente.

Para obtener más información acerca de cómo ajustar la calidad de la impresión, consulte “Ajuste de la calidad de imagen” en la página 183.

Para ajustar la calidad de impresión en blanco y negro

Si imprime una fotografía en blanco y negro con el ajuste B y N, se superpondrán los colores amarillo, magenta y cian para la impresión, por lo que es posible que la impresión no resulte perfectamente acromática. Para ajustar el tono negro, puede utilizar la función de ajuste de calidad de impresión de la impresora.

Impresión de una fotografía almacenada en la memoria integrada de la cámara


Cuando se toma una fotografía, se almacenan sus datos en la memoria integrada de la cámara. Para imprimir fotografías almacenadas, visualícelas en el modo de reproducción y seleccione la fotografía que desea imprimir. A continuación, realice los mismos pasos que cuando imprime una fotografía desde la visualización de comprobación automática de la imagen (en la página 161).

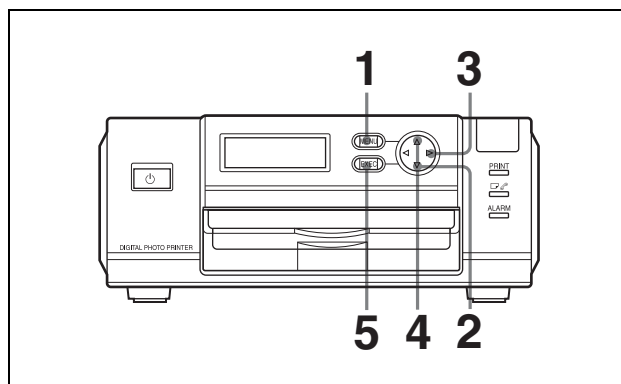
Para obtener más información sobre cómo visualizar fotografías almacenadas en la memoria, consulte “Visualización de una fotografía en la pantalla LCD” en la página 164.

Reimpresión de una fotografía almacenada en la memoria de la impresora (COPY PRINT)

Los datos de la última fotografía que se imprimió se almacenan en la memoria de la impresora. Es posible volver a imprimir esta fotografía.

Nota

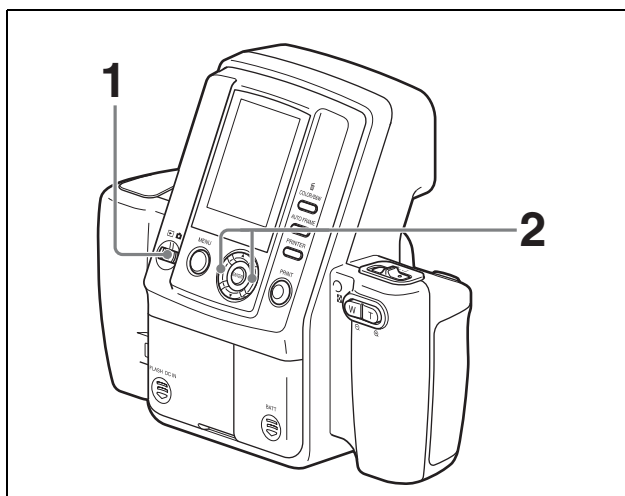
Si pulsa el botón  de la impresora y la ajusta en modo de espera (de modo que el indicador se apague), se eliminarán los datos almacenados en la memoria de la impresora y no podrá volver a imprimir la fotografía.



- 1 Pulse el botón MENU.
- 2 Pulse ▼ en el botón de control para que aparezca “COPY PRINT [>>]”.
- 3 Pulse ► en el botón de control. Aparece “COPY PRINT: 1 [1 – 9 PRINT: EXEC]”.

- 4 Ajuste la cantidad de hojas que desea imprimir pulsando ▲ o ▼ en el botón de control. Puede ajustarse un valor comprendido entre el 1 y el 9.
- 5 Pulse el botón EXEC. Se imprime la cantidad de fotografías ajustada en el paso 4. Cuando se completa la impresión, aparece de nuevo en pantalla READY.

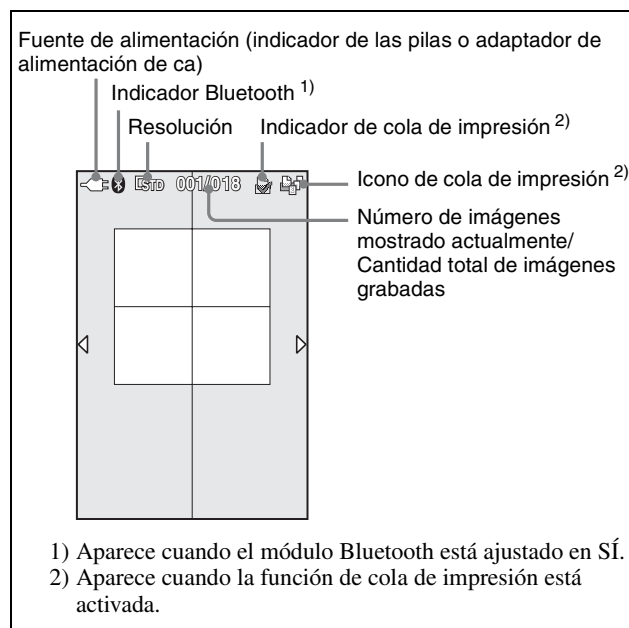
Visualización de una fotografía en la pantalla LCD



- 1 Ajuste el selector de modo en . Aparecerá en la pantalla LCD una fotografía almacenada en la memoria de la cámara.
- 2 Seleccione la fotografía que desea visualizar pulsando el botón de control o .

Pantalla LCD en modo de reproducción

A continuación se muestra un ejemplo de cómo puede aparecer la pantalla LCD cuando el selector de modo está ajustado en .



Visualización de la pantalla de nueve fotografías

Pueden mostrarse nueve fotografías almacenadas en la memoria de la cámara simultáneamente en la pantalla LCD. Este modo le permitirá buscar rápidamente una fotografía.

- 1 Pulse el lado W de la palanca del zoom.

Es posible visualizar en la pantalla LCD nueve fotografías almacenadas en la memoria de la cámara.
- 2 Para seleccionar una fotografía, pulse , , o del botón de control.

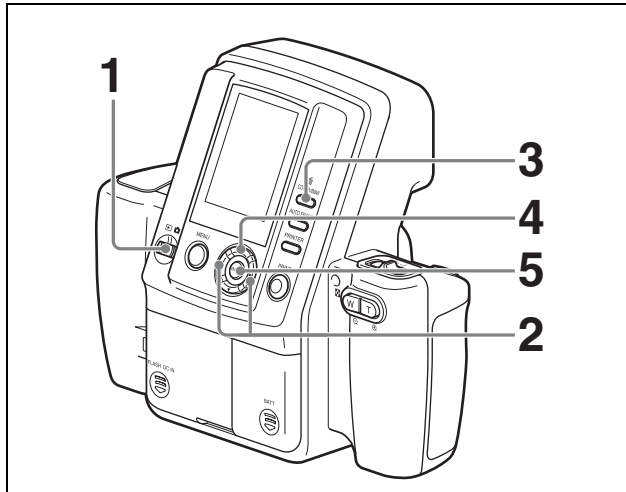
Al pulsar o se selecciona la imagen anterior o siguiente respectivamente.



Al pulsar o aparece la imagen anterior o siguiente respectivamente.
- 3 Pulse el botón ENTER o la palanca del zoom. Se visualiza la fotografía seleccionada en modo de pantalla completa.

Eliminación de una fotografía

El procedimiento de eliminación de fotografías es el mismo para la visualización de una o de nueve fotografías.

Eliminación de fotografías en reproducción una a una

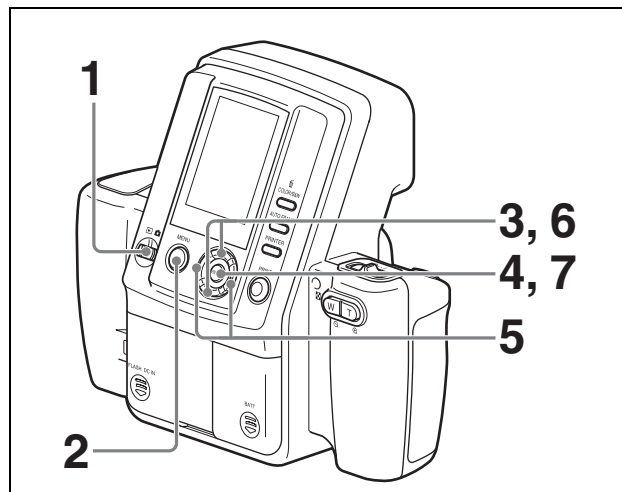



- 1 Ajuste el selector de modo en .
- 2 Seleccione la fotografía que desea eliminar pulsando el botón de control ◀ o ▶.
- 3 Pulse el botón . Aparecerá la pantalla ELIMINAR.
- 4 Pulse el botón de control ▲ para seleccionar ACEPTAR.
- 5 Pulse el botón ENTER. La fotografía seleccionada se eliminará de la memoria.

Para continuar eliminando fotografías

Repita los pasos del 2 al 5 anteriores.

Para eliminar fotografías individuales desde la pantalla de menú

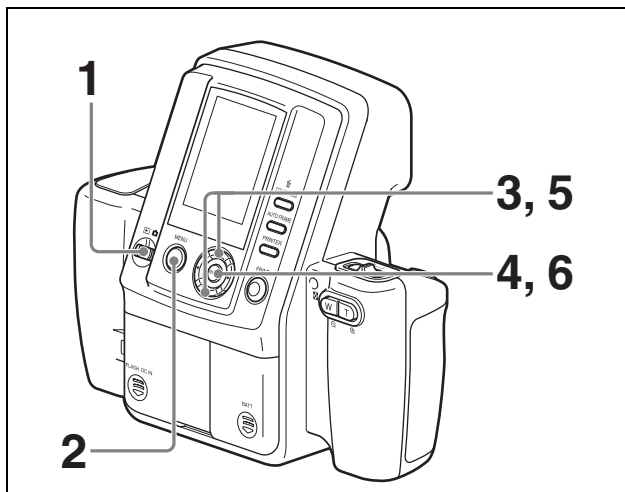



- 1 Ajuste el selector de modo en .
- 2 Pulse el botón MENU. Aparece la pantalla de menú.
- 3 Pulse el botón de control ▲ o ▼ para seleccionar ELIMINAR.
- 4 Pulse el botón ENTER. Aparecerá la pantalla ELIMINAR.
- 5 Pulse el botón de control ◀ o ▶ para seleccionar la fotografía que desee eliminar.
- 6 Pulse el botón de control ▲ para seleccionar ACEPTAR.
- 7 Pulse el botón ENTER. La fotografía seleccionada se eliminará de la memoria.

Para continuar eliminando fotografías

Repita los pasos 5 a 7 anteriores.

Para eliminar todas las fotografías desde la pantalla de menú



- 1 Ajuste el selector de modo en .
- 2 Pulse el botón MENU.
Aparece la pantalla de menú.
- 3 Pulse el botón de control ▲ o ▼ para seleccionar ELIMINAR TODO.
- 4 Pulse el botón ENTER.
Aparecerá la pantalla ELIMINAR TODO.
- 5 Pulse el botón de control ▲ para seleccionar ACEPTAR.
- 6 Pulse el botón ENTER.

Se eliminarán todas las fotografías de la memoria.

Para cancelar la eliminación de una fotografía

Seleccione CANCEL. en la pantalla ELIMINAR y, a continuación, pulse el botón ENTER. Volverá a aparecer el menú de reproducción.

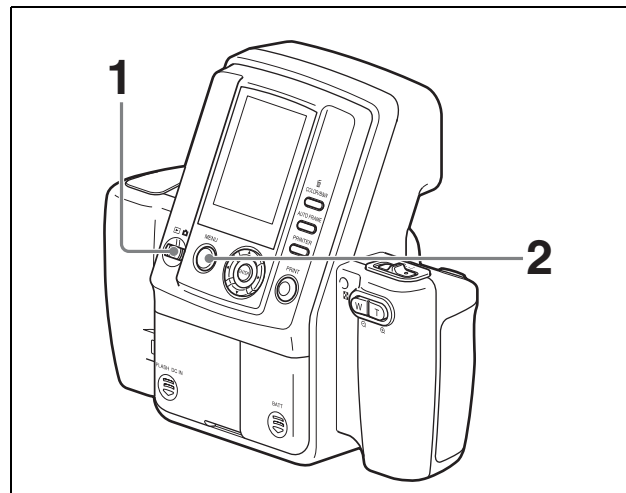
Para salir del modo de eliminación de fotografías


Pulse el botón MENU.

Ajustes

La cámara presenta tres tipos de menús: el menú de toma de fotografías, que permite establecer las condiciones de la toma de fotografías, el menú de reproducción para establecer los ajustes relacionados con las fotografías tomadas y el menú CONFIGURACIÓN para configurar la cámara.

Visualización del menú de toma de fotografías

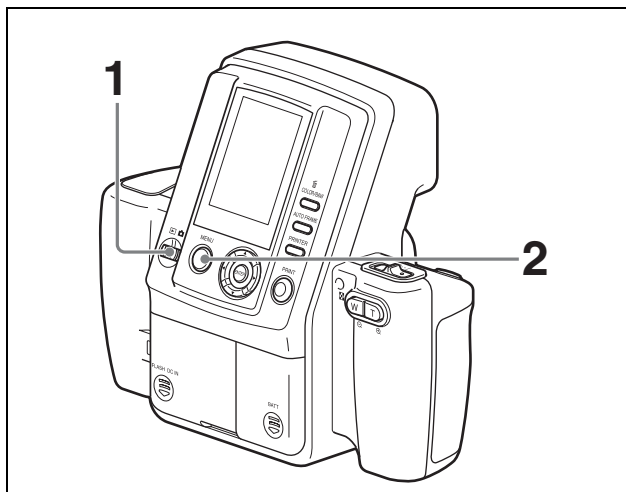


- 1 Ajuste el selector de modo en .
- 2 Pulse el botón MENU.
Aparecerá el menú de toma de fotografías.

Para salir del menú y volver a la pantalla anterior

Pulse el botón MENU.

Visualización del menú de reproducción



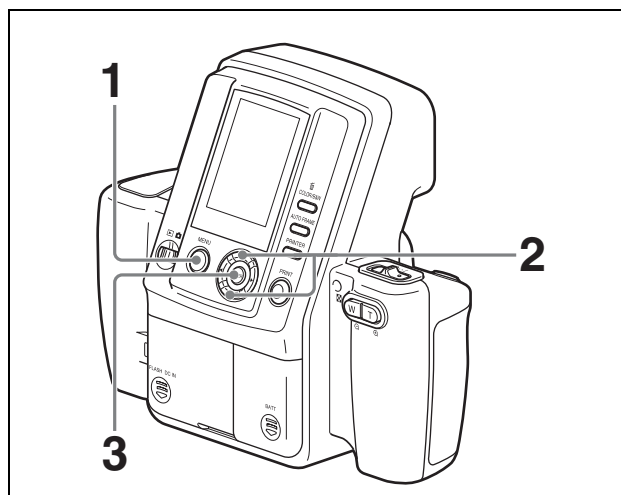
- 1 Ajuste el selector de modo en
- 2 Pulse el botón MENU.
Aparecerá el menú de reproducción.

Para salir del menú y volver a la pantalla anterior

Pulse el botón MENU.

Visualización del menú CONFIGURACIÓN

El menú CONFIGURACIÓN puede visualizarse independientemente de si el selector de modo se encuentra ajustado en o .



- 1 Pulse el botón MENU.
En función de la posición del selector de modo, aparecerá el menú de toma de fotografías o el menú de reproducción.
- 2 Pulse el botón de control ▲ o ▼ para seleccionar CONFIGURACIÓN.
- 3 Pulse el botón ENTER.
Aparecerá el menú CONFIGURACIÓN.

Para salir del menú y volver a la pantalla anterior

Pulse el botón MENU.

Menú

Funciones de los elementos de menú

Menú de toma de fotografías

Elemento de menú	Función	Ajustes
SALIR	Permite salir del modo de menú.	—
RESOLUCIÓN	Permite seleccionar la resolución para la grabación.	ALTA (3264 × 2448) NORMAL (1632 × 1224)
BORRADO AUTO	Permite ajustar el modo de borrado automático.	SÍ Cuando se llena la memoria, se eliminan los datos a partir de los más antiguos cuando se almacenan nuevos datos de imagen. NO Cuando se llena la memoria, ya no pueden tomarse más fotografías.
MODO FLASH	Selecciona el modo de flash.	P Flash: automático M Flash: forzado (nivel de intensidad del flash: 100/70/50/35/25/18/12%) M Flash: desactivado
APERTURA	Selecciona el ajuste de apertura. Este ajuste es válido solamente si el modo de flash está ajustado en M o M .	F4,7 F5,6
OBTURADOR	Permite seleccionar la velocidad del obturador. Este ajuste es válido solamente cuando el modo de flash está ajustado en M o M .	1/2[s], 1/4[s], 1/8[s], 1/15[s], 1/30[s], 1/60[s], 1/100[s], 1/125[s], 1/250[s] , 1/500[s], 1/750[s], 1/1000[s]
BALANCE DE BLANCOS	Permite ajustar el balance de blancos. Este ajuste es válido solamente cuando el modo de flash está ajustado en M o M .	Programa: el balance de blancos se ajusta automáticamente. Una pulsación: permite tomar cualquier imagen para utilizarla como valor de referencia para el blanco. 3000K, 3500K, 4000K, 4500K, 5000K, 5500K, 6000K, 6500K, 7000K: el balance de blancos se ajusta en función de la temperatura de color seleccionada.
EXPOSICIÓN	Permite especificar la compensación de la exposición.	Cuando el modo de flash es P : -2,0EV a 0EV a +2,0EV (en incrementos de 1/4EV) Cuando el modo de flash es M o M : -1,0EV a 0EV a +2,0EV (en incrementos de 1/4EV)
CONFIGURACIÓN	Para visualizar el menú CONFIGURACIÓN.	(Para obtener más información, consulte "Menú CONFIGURACIÓN" en la página 169.)

_____ : Ajuste predeterminado

Bloqueo de MENÚ: mantenga pulsado el botón MENU para bloquear o desbloquear el menú.

Menú de reproducción

Elemento de menú	Función	Ajustes
SALIR	Permite salir del modo de menú.	—
PROPIEDAD	Para visualizar la información de la imagen seleccionada.	—
ELIMINAR	Para eliminar una fotografía almacenada en la memoria.	—
ELIMINAR TODO	Para eliminar todas las fotografías almacenadas en la memoria, excepto las protegidas.	—
ELIMINAR UNO DE COLA	Elimina la imagen seleccionada de la cola de impresión.	—
ELIMINAR COLA	Elimina todas las imágenes de la cola de impresión.	—
CONFIGURACIÓN	Muestra el menú CONFIGURACIÓN.	(Para obtener más información, consulte “Menú CONFIGURACIÓN” en la página 169.)

Bloqueo de MENÚ: mantenga pulsado el botón MENU para bloquear o desbloquear el menú.

Menú CONFIGURACIÓN

Elemento de menú	Función	Ajustes
VOLVER	Permite salir del modo CONFIGURACIÓN y regresa a la pantalla de menú anterior.	—
MODO COLA IMPRES.	Activa o desactiva la función de cola de impresión.	<u>SÍ</u> <u>NO</u>
ID ENCUADRE FOTO	Permite seleccionar el encuadre de fotografías de identificación que se muestra en la pantalla LCD cuando aparece la pantalla de vista previa de impresión. A la derecha se indican los encuadres de fotografía de identificación que se pueden utilizar con este sistema, aunque están sujetos a cambios sin previo aviso.	SELECCIONAR TODO DESELECCIONAR TODO Personalizado 1 Personalizado 2 Personalizado 3 Personalizado 4 Personalizado 5 USA: Pasaporte CAN: Pasaporte MEX: Pasaporte COL: Pasaporte VEN: Pasaporte EU: Pasaporte GBR: Pasaporte DEU: Pasaporte FRA: Pasaporte ITA: Pasaporte NLD: Pasaporte ESP: Pasaporte AUT: Pasaporte RUS: Pasaporte TUR: Pasaporte AUS: Pasaporte NZL: Pasaporte JPN: Pasaporte JPN: Carné conducir JPN: Historial
ENCUADRE PERSONALIZ.	Permite crear y registrar hasta cinco encuadres de fotografía de identificación de cualquier tamaño adicionales.	—
MODO DIE-CUT	Activa o desactiva la función de impresión con troquelado.	<u>SÍ</u> <u>NO</u>

Elemento de menú	Función	Ajustes
AJUSTE COLOR	Ajusta la calidad de impresión para las fotografías en color.	CYN-RED: ajusta el cian y el rojo. (-7 a <u>0</u> a +7) MAG-GRN: ajusta el magenta y el verde. (-7 a <u>0</u> a +7) YEL-BLU: ajusta el amarillo y el azul. (-7 a <u>0</u> a +7) DARK: ajusta el brillo de las áreas oscuras. (-7 a <u>0</u> a +7) LIGHT: ajusta el brillo de las áreas claras. (-7 a <u>0</u> a +7) GAMMA: ajusta el tono de la imagen. SHARPNESS: ajusta la nitidez de los contornos de los objetos. (-7 a <u>0</u> a +7)
AJUSTE B y N	Ajusta la calidad de impresión para las fotografías en blanco y negro.	
AHORRO ENERGIA AUTOM.	Permite activar o desactivar la función AHORRO ENERGIA AUTOM.	: activa la función AHORRO ENERGIA AUTOM. cuando se utiliza el adaptador de alimentación de ca. (10 min/ 30 min /DESACTIVAR) : activa la función AHORRO ENERGIA AUTOM. cuando se utiliza la batería. (3 min/ 7 min /10 min)
SONIDO	Activa y desactiva el sonido de funcionamiento.	NO OBTURADOR SÍ
IDIOMA	Selecciona el idioma.	English /Français/Deutsch/Italiano/Español/Português/Nederlands/Русский/日本語
AJUSTE PREDETERMINADO	Restablece los valores predeterminados de los ajustes de la cámara.	—
VERSIÓN FIRMWARE	Muestra la versión de la cámara.	—
Bluetooth	Permite establecer las funciones Bluetooth.	PROPIEDAD: muestra la dirección y la contraseña de la cámara, así como una lista de las impresoras registradas. CAMBIAR CONTRASEÑA: permite cambiar la contraseña y establecer un número comprendido entre 0000 y 9999. (1234) AÑADIR IMPRESORA: permite registrar hasta tres impresoras opcionales. ELIMINAR IMPRESORA: permite eliminar las impresoras registradas de una en una. MÓDULO: permite activar y desactivar la alimentación del circuito Bluetooth. (SÍ)

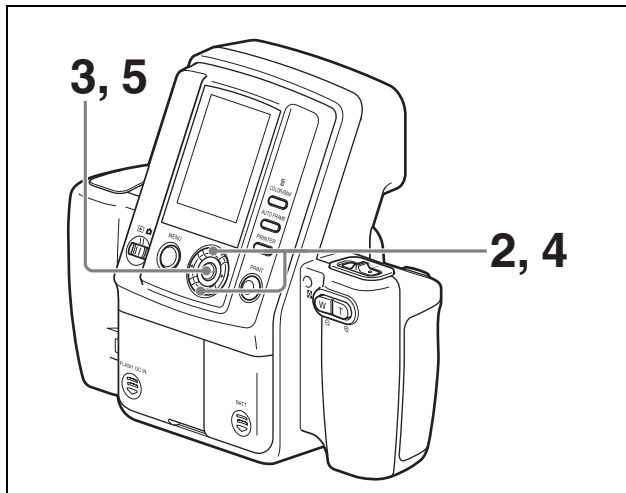
_____ : Ajuste predeterminado

Impresora

Elemento de menú	Función	Ajustes
COLOR AJUST COLOR	Ajusta la calidad de impresión para las fotografías en color.	No se utiliza con este sistema.
COLOR AJUST B&W	Ajusta la calidad de impresión para las fotografías en blanco y negro.	No se utiliza con este sistema.
Bluetooth SETTING	Puede configurar los ajustes de la función Bluetooth.	Bluetooth ADDR: se muestra la dirección del dispositivo Bluetooth. PASSKEY INPUT: permite definir o cambiar una contraseña. MY DEVICE NAME: permite asignar un número a la impresora. CONNECTION RECORD: se muestra el registro de conexiones. MODULE POWER: permite activar y desactivar los circuitos Bluetooth.
PRINT SETTING	Permite realizar ajustes precisos de la posición de impresión para el papel de impresión de la serie UPC-X46.	PRINT OFFSET (-2/-1/0/1/2) La posición de impresión puede ajustarse en unidades de 0,5 mm.
COPY PRINT	Vuelve a imprimir la última fotografía almacenada en la memoria.	[1 - 9] Ajusta la cantidad de hojas que van a volver a imprimirse.
TOTAL PRINTS	Muestra la cantidad total de hojas impresas.	—

Ajuste de la resolución de la imagen

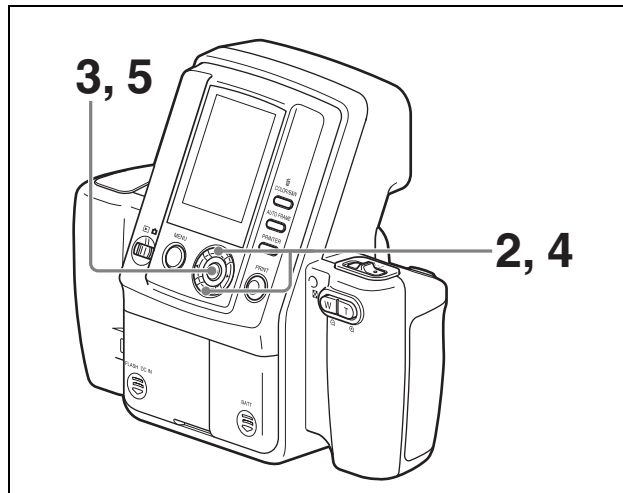
Seleccione la resolución óptima para el tamaño de impresión.



- 1 Abra el menú de toma de fotografías.
Para obtener más información sobre la visualización de la pantalla de menú, consulte "Visualización del menú de toma de fotografías" en la página 166.
- 2 Pulse el botón de control ▲ o ▼ para seleccionar RESOLUCIÓN.
- 3 Pulse el botón ENTER.
Aparecerá la pantalla RESOLUCIÓN.
- 4 Pulse el botón de control ▲ o ▼ para seleccionar una de las siguientes resoluciones.
ALTA: 3264 × 2448 (se pueden tomar 30 fotografías aproximadamente)
NORMAL: 1632 × 1224 (se pueden tomar 120 fotografías aproximadamente)
En circunstancias normales, se puede tomar el número de fotos especificado anteriormente para cada resolución, aunque éste puede ser menor si se toman fotos que contengan patrones complejos. En el modo de toma de fotografías, consulte el valor que aparece en la parte superior derecha de la pantalla.
- 5 Pulse el botón ENTER.
Volverá a aparecer el menú de toma de fotografías.

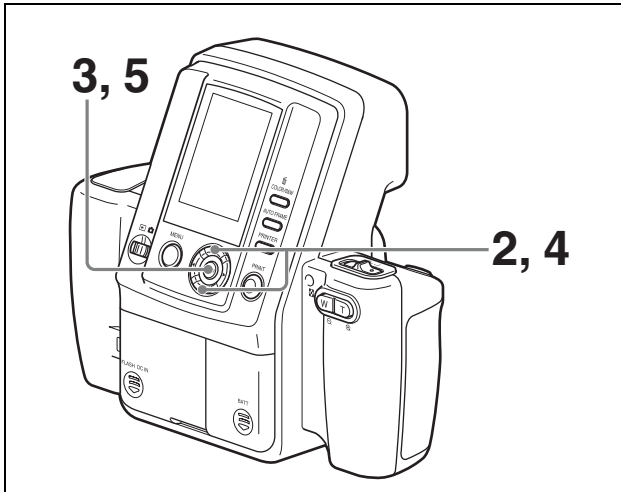
Ajuste del modo de borrado automático

Es posible seleccionar la acción que desea que realice la cámara cuando la memoria esté llena.



- 1 Abra el menú de toma de fotografías.
Para obtener más información sobre la visualización de la pantalla de menú, consulte "Visualización del menú de toma de fotografías" en la página 166.
- 2 Pulse el botón de control ▲ o ▼ para seleccionar BORRADO AUTO.
- 3 Pulse el botón ENTER.
Aparecerá la pantalla BORRADO AUTO.
- 4 Pulse el botón de control ▲ o ▼ para seleccionar SÍ o NO.
SÍ: cuando la memoria está llena, se eliminan automáticamente las imágenes almacenadas comenzando por las más antiguas y se almacenan los datos nuevos.
NO: la toma de fotografías se desactiva cuando la memoria está llena.
- 5 Pulse el botón ENTER.
Volverá a aparecer el menú de toma de fotografías.

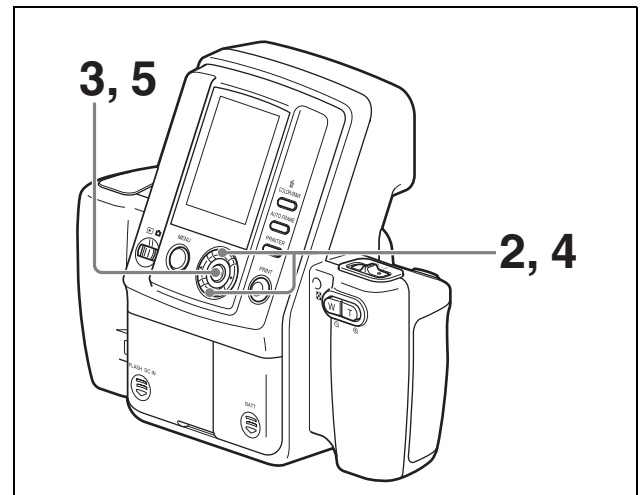
Selección del modo de flash



- 1 Abra el menú de toma de fotografías.
Para obtener más información sobre la visualización de la pantalla de menú, consulte “Visualización del menú de toma de fotografías” en la página 166.
- 2 Pulse el botón de control ▲ o ▼ para seleccionar MODO FLASH.
- 3 Pulse el botón ENTER.
Aparecerá la pantalla MODO FLASH.
- 4 Pulse el botón de control ▲ o ▼ para seleccionar el modo de flash.
Para obtener más información acerca de cada modo, consulte “Modos de flash y condiciones de toma de fotografías de ejemplo” en la página 145.
- 5 Pulse el botón ENTER.
Si se selecciona P $\frac{1}{2}$ o M $\frac{1}{2}$ en el modo de flash, volverá a aparecer el menú de toma de fotografías.
Si se selecciona M $\frac{1}{2}$ en el modo de flash, aparecerá el menú de selección del nivel de intensidad del flash. Seleccione un nivel de intensidad del flash (100/70/50/35/25/18/12%) mediante el botón control ▲ o ▼, y pulse el botón ENTER. Se ajustará el nivel de intensidad del flash y volverá a aparecer el menú de toma de fotografías.

Ajuste de la apertura

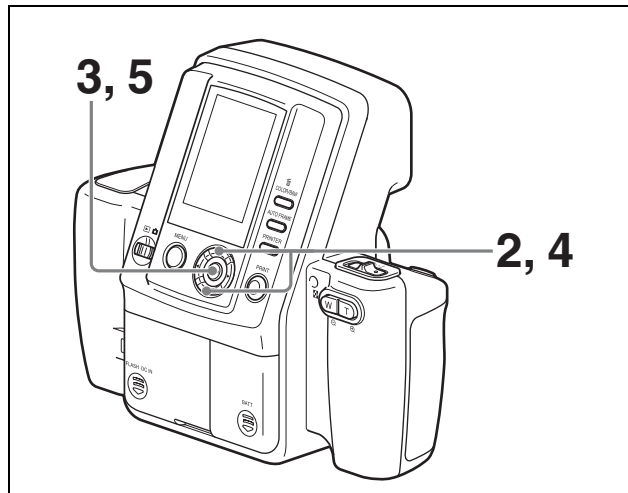
Sólo es posible ajustar la apertura si se ajusta el MODO FLASH en M $\frac{1}{2}$ o M $\frac{1}{2}$.



- 1 Abra el menú de toma de fotografías.
Para obtener más información sobre la visualización de la pantalla de menú, consulte “Visualización del menú de toma de fotografías” en la página 166.
- 2 Pulse el botón de control ▲ o ▼ para seleccionar APERTURA.
- 3 Pulse el botón ENTER.
Aparecerá la pantalla APERTURA.
- 4 Pulse el botón de control ▲ o ▼ para seleccionar F4,7 o F5,6.
- 5 Pulse el botón ENTER.
Volverá a aparecer el menú de toma de fotografías.

Ajuste de la velocidad del obturador

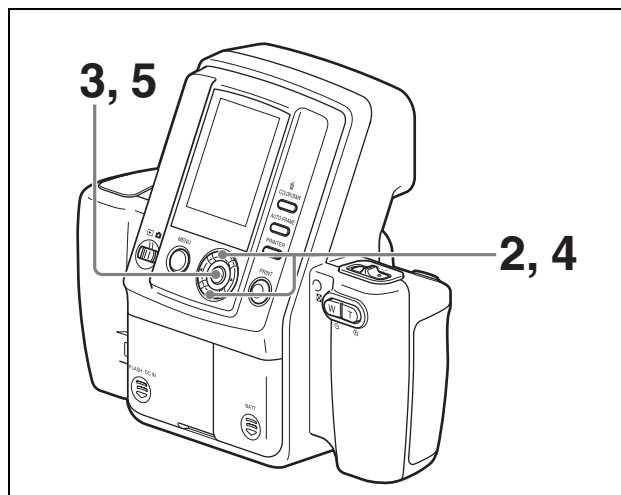
Sólo es posible ajustar la velocidad del obturador si se ajusta el MODO FLASH en $M\frac{1}{2}$ o $M\frac{1}{3}$.



- 1 Abra el menú de toma de fotografías.
Para obtener más información sobre la visualización de la pantalla de menú, consulte "Visualización del menú de toma de fotografías" en la página 166.
- 2 Pulse el botón de control ▲ o ▼ para seleccionar OBTURADOR.
- 3 Pulse el botón ENTER.
Aparecerá la pantalla OBTURADOR.
- 4 Pulse el botón de control ▲ o ▼ para seleccionar la velocidad del obturador.
Seleccione uno de estos valores: 1/2 (s), 1/4 (s), 1/8 (s), 1/15 (s), 1/30 (s), 1/60 (s), 1/100 (s), 1/125 (s), 1/250 (s), 1/500 (s), 1/750 (s) o 1/1000 (s).
- 5 Pulse el botón ENTER.
Volverá a aparecer el menú de toma de fotografías.

Ajuste del balance de blancos

Solamente es posible ajustar el balance de blancos cuando MODO FLASH está ajustado en $M\frac{1}{2}$ o $M\frac{1}{3}$.

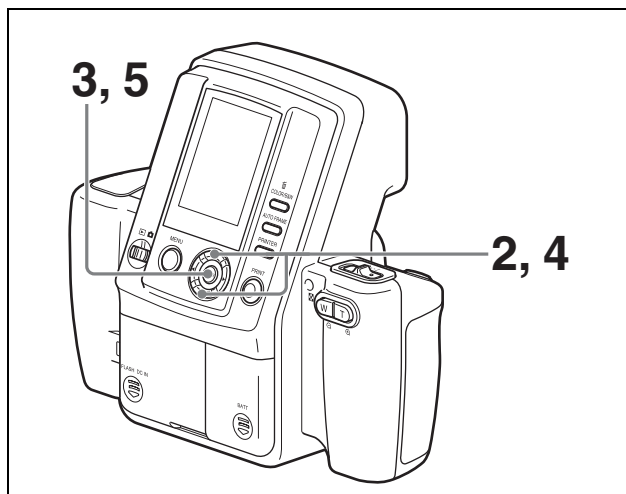


- 1 Abra el menú de toma de fotografías.
Para obtener más información sobre la visualización de la pantalla de menú, consulte "Visualización del menú de toma de fotografías" en la página 166.
- 2 Pulse el botón de control ▲ o ▼ para seleccionar B y N.
- 3 Pulse el botón ENTER.
Aparecerá la pantalla BALANCE DE BLANCOS.
- 4 Pulse el botón de control ▲ o ▼ para seleccionar el método de ajuste del balance de blancos.
PROGRAMA: el balance de blancos se ajusta automáticamente.
Una pulsación: se captura una imagen nueva como valor de referencia para los blancos. Bajo las mismas condiciones de iluminación que se utilizan para tomar fotografías, capture un objeto blanco (por ejemplo, un trozo de papel o paño) en el centro de la pantalla LCD y, a continuación, pulse el botón del disparador o el botón ENTER. Se captura y se ajusta el balance de blancos para las condiciones de iluminación actuales.
De 3000K a 7000K: seleccione una temperatura de color adecuada para las condiciones de iluminación. Puede seleccionar temperaturas de color entre 3000K y 7000K en unidades de 500K. El balance de blancos se ajusta en función de la temperatura de color seleccionada.

- 5 Pulse el botón ENTER.
Se guarda el ajuste de balance de blancos seleccionado y vuelve a aparecer el menú de toma de fotografías.

Compensación de la exposición

Es posible establecer un valor predeterminado para la compensación de la exposición durante la toma de fotografías.



- 1 Abra el menú de toma de fotografías.
Para obtener más información sobre la visualización de la pantalla de menú, consulte "Visualización del menú de toma de fotografías" en la página 166.
- 2 Pulse ▲ o ▼ del botón de control para seleccionar EXPOSICIÓN.
- 3 Pulse ENTER del botón de control.
Aparecerá la pantalla EXPOSICIÓN.
- 4 Pulse ▲ o ▼ del botón de control para seleccionar un valor adecuado.
- 5 Pulse el botón ENTER.
Se ajustará el valor seleccionado y volverá a aparecer el menú de toma de fotografías.

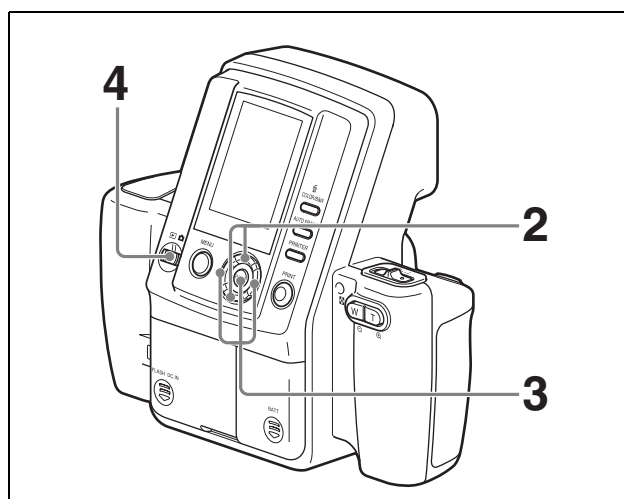
Para compensar la exposición fácilmente

Para cambiar fácilmente la exposición, puede pulsar ▲ o ▼ del botón de control. Al pulsar el botón, el valor que aparece en la pantalla LCD cambia. Mediante este método podrá cambiar la exposición aunque el menú esté bloqueado.

Para obtener más información acerca del bloqueo del menú, consulte "Bloqueo de los menús de la cámara" en la página 182.

Visualización de información acerca de las imágenes capturadas

Es posible visualizar información acerca de las imágenes capturadas, incluidos los ajustes del MODO FLASH, en la pantalla LCD.



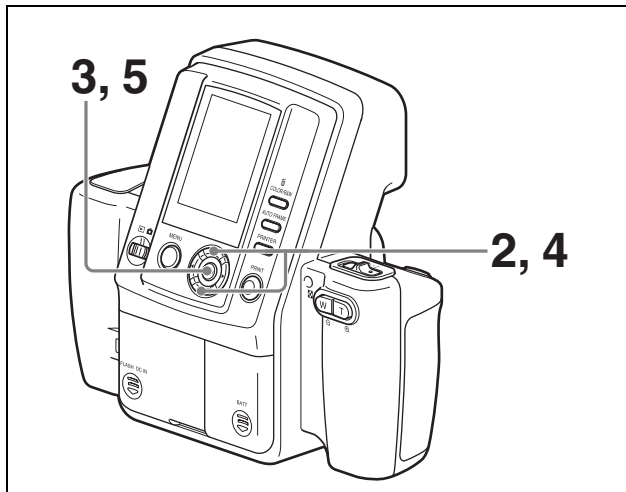
- 1 Abra el menú de reproducción.
Para obtener más información sobre la visualización de la pantalla de menú, consulte "Visualización del menú de reproducción" en la página 167.
- 2 Pulse el botón de control ▲ o ▼ para seleccionar PROPIEDAD.
- 3 Pulse el botón ENTER.
Aparecerá la pantalla PROPIEDAD. Para seleccionar las imágenes, pulse el botón de control ◀ o ▶.
- 4 Pulse el botón ENTER.
Volverá a aparecer el menú de reproducción.

Nota

La impresión no puede realizarse desde la pantalla PROPIEDAD. Vuelva a la pantalla del modo de reproducción para realizar la impresión.

Utilización de la función de cola de impresión

Este sistema dispone de una función de cola de impresión que permite imprimir con posterioridad un grupo imágenes capturadas. Para utilizar esta función, actívela mediante el procedimiento que se describe a continuación.



- 1 Abra el menú CONFIGURACIÓN.
Para obtener más información acerca de la visualización de este menú, consulte "Visualización del menú CONFIGURACIÓN" en la página 167.
- 2 Pulse el botón de control ▲ o ▼ para seleccionar MODO COLA IMPRES.
- 3 Pulse el botón ENTER.
Aparecerá la pantalla MODO COLA IMPRESIÓN.
- 4 Pulse el botón de control ▲ o ▼ para seleccionar SÍ.
- 5 Pulse el botón ENTER.
Volverá a aparecer el menú CONFIGURACIÓN.

Acerca de la toma de imágenes y la impresión con la función de cola de impresión activada

Cuando la función de cola de impresión de la cámara está habilitada, sucede lo que se detalla a continuación.

Durante la toma (comprobación automática) o la reproducción de fotografías

Si intenta imprimir una imagen capturada, ésta aparece señalizada con una marca de cola de impresión y se muestra una pantalla en la que se solicita la confirmación para el inicio de la impresión.

- Si selecciona CANCEL., puede volver atrás para tomar fotografías, imprimir otras imágenes o realizar otras operaciones.
- Si selecciona ACEPTAR, comenzará la impresión de todas las imágenes de la cola de impresión.

El icono (marca de cola de impresión) aparece en la pantalla LCD durante la reproducción de imágenes en la cola de impresión. Si imprime imágenes con la marca de cola de impresión durante la reproducción, comenzará la impresión de todas las imágenes en la cola de impresión.

Funcionamiento de la cola de impresión

Si cancela la cola de impresión mientras se está imprimiendo, puede volver atrás para tomar fotografías. Si añade imágenes a la cola de impresión y reinicia la impresión, aquellas imágenes en la cola de impresión pendientes de imprimir, se imprimirán con las nuevas imágenes que añada.

Empezando por la imagen con la que inició la impresión de la cola, las imágenes se imprimen en orden ascendente en función de su número. Cuando llega al número más alto, la impresión continúa a partir del número más bajo hasta que se imprime la última imagen de la cola de impresión.

Notas

- Si utiliza la función de cola de impresión en un sistema de varias impresoras, las imágenes se imprimirán únicamente a través de una impresora.
- Cuando el papel es expulsado después de la impresión, no permita que se acumulen más de 5 hojas en la bandeja para papel. Si lo hace, es posible que se produzca un atasco de papel.

Para eliminar imágenes de la cola de impresión de una en una

Si desea eliminar una imagen de la cola de impresión, realice los pasos siguientes para borrar el indicador de cola de impresión correspondiente.

- 1 Ajuste el selector de modo en .
- 2 Abra el menú de reproducción.
Para obtener más información acerca de la visualización del menú, consulte "Visualización del menú de reproducción" en la página 167.
- 3 Pulse el botón de control ▲ o ▼ para seleccionar ELIMINAR UNO DE COLA.
- 4 Pulse el botón ENTER.
Aparecerá la pantalla ELIMINAR UNO DE COLA.
- 5 Pulse el botón de control ◀ o ▶ para visualizar la imagen que desea eliminar de la cola de impresión.


- 6** Pulse el botón de control ▲ para seleccionar ACEPTAR.
- 7** Pulse el botón ENTER.
La imagen seleccionada en el paso **5** se eliminará de la cola de impresión.

Para seguir eliminando imágenes de la cola de impresión

Repita los pasos del **5** al **7** anteriores.

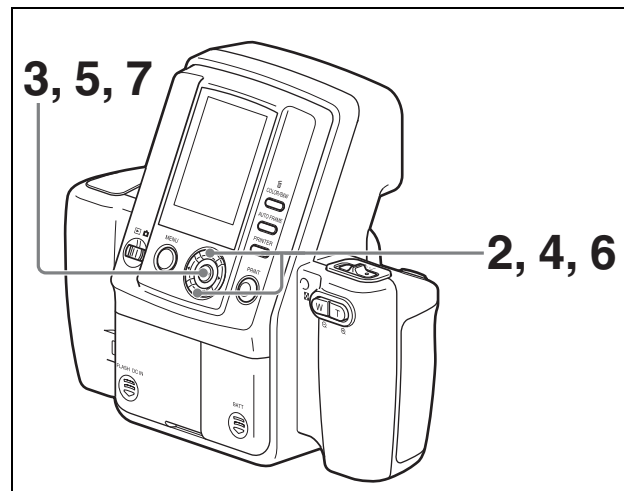
Para eliminar todas las imágenes de la cola de impresión

Para eliminar todas las imágenes de la cola de impresión al mismo tiempo, realice los pasos siguientes.

- 1** Ajuste el selector de modo en .
- 2** Abra el menú de reproducción.
Para obtener más información acerca de la visualización del menú, consulte "Visualización del menú de reproducción" en la página 167.
- 3** Pulse el botón de control ▲ o ▼ para seleccionar ELIMINAR COLA.
- 4** Pulse el botón ENTER.
Aparecerá la pantalla ELIMINAR COLA.
- 5** Pulse el botón de control ▲ para seleccionar ACEPTAR.
- 6** Pulse el botón ENTER.
Se eliminarán todas las imágenes de la cola de impresión.

Configuración de un encuadre para visualizar durante la impresión

Los encuadres de fotografías de identificación que se pueden seleccionar en la pantalla de vista previa de impresión pueden ajustarse en el menú CONFIGURACIÓN. Ajuste la visualización de los encuadres que utiliza con mayor frecuencia para poder seleccionar fácilmente el encuadre deseado.



- 1** Abra el menú CONFIGURACIÓN.
Para obtener más información sobre la visualización de este menú, consulte "Visualización del menú CONFIGURACIÓN" en la página 167.
- 2** Pulse el botón de control ▲ o ▼ para seleccionar ID ENCUADRE FOTO.
- 3** Pulse el botón ENTER.
Aparecerá la pantalla ID ENCUADRE FOTO.
- 4** Pulse el botón de control ▲ o ▼ para seleccionar un encuadre que desee ocultar.
Para visualizar la página siguiente o volver a la página anterior, pulse el botón de control ◀ o ▶.
- 5** Pulse el botón ENTER.
Aparece el símbolo ✓ (marca de verificación) del encuadre seleccionado, y dicho encuadre pasar a estar disponible en la pantalla de vista previa de impresión.
Si vuelve a pulsar el botón ENTER, el símbolo ✓ (marca de verificación) desaparece, y el encuadre deja de estar disponible en la pantalla de vista previa de impresión.

Cada vez que se pulse el botón ENTER, se eliminará o restaurará la marca ✓.

Si selecciona SELECCIONAR TODO y pulsa el botón ENTER, la marca ✓ aparece en todos los encuadres de fotografía de identificación.
Si selecciona DESELECCIONAR TODO y pulsa el botón ENTER, la marca ✓ desaparece de todos los encuadres de fotografía de identificación.

Nota

Seleccione al menos un encuadre de fotografía de identificación. No es posible cerrar la pantalla ID ENCUADRE FOTO cuando se ha eliminado la marca ✓ de todos los encuadres de fotografía de identificación.

- 6 Cuando haya terminado de configurar los ajustes, pulse el botón de control ▲ o ▼ para seleccionar VOLVER.
- 7 Pulse el botón ENTER.
Volverá a aparecer el menú CONFIGURACIÓN.

Ejemplo de código de país de encuadre de fotografía de identificación

El encuadre de fotografía de identificación de esta cámara utiliza los siguientes códigos de países ISO, independientemente del idioma seleccionado.

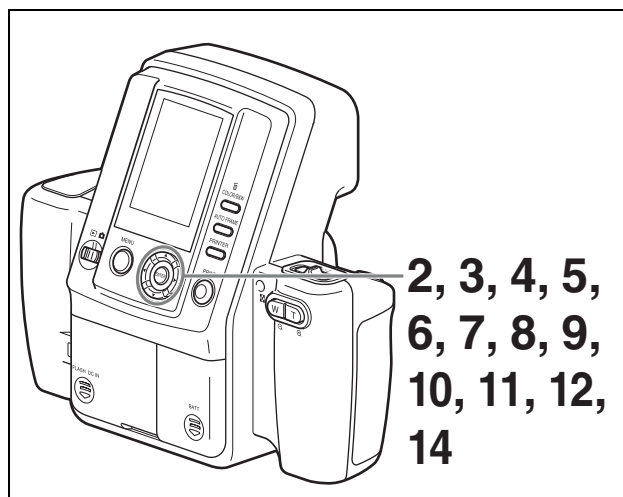
Código	País
AUS	Australia
AUT	Austria
BRA	Brasil
CAN	Canadá
COL	Colombia
DEU	Alemania
ESP	España
EU	Unión Europea
FRA	Francia
GBR	Reino Unido
ITA	Italia
JPN	Japón
MEX	México
NLD	Países Bajos
NZL	Nueva Zelanda
PRT	Portugal
RUS	Rusia
TUR	Turquía
USA	Estados Unidos
VEN	Venezuela

Nota

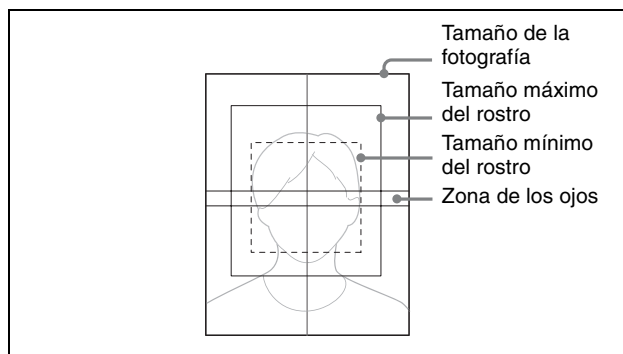
Dependiendo de la selección de país o región durante la configuración inicial, es posible que los encuadres de fotografía de identificación de algunos países no se encuentren disponibles.

Creación de un encuadre adicional

Es posible definir hasta cinco encuadres de fotografía de identificación de cualquier tamaño y registrarlos posteriormente en esta cámara.



Para crear un encuadre adicional, defina el encuadre siguiente.

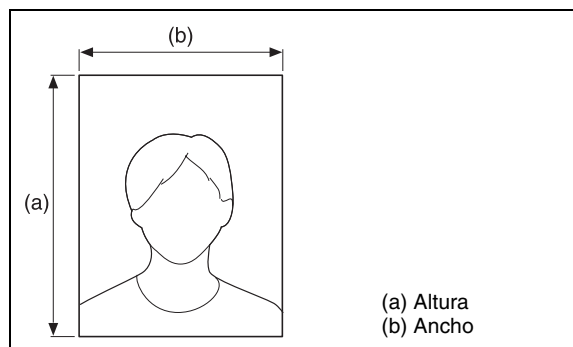


- 1 Abra el menú CONFIGURACIÓN.
Para obtener más información acerca de cómo abrir este menú, consulte "Visualización del menú CONFIGURACIÓN" en la página 167.
- 2 Pulse el botón de control ▲ o ▼ para seleccionar ENCUADRE PERSONALIZ.
- 3 Pulse el botón ENTER.
Aparecerá la primera pantalla de ajuste del encuadre.
- 4 Pulse el botón de control ◀ o ▶ para seleccionar un número de encuadre (entre el 1 y el 5).

- 5** Pulse el botón de control ▼ para seleccionar SIGUIENTE y, a continuación, pulse el botón ENTER.

Aparecerá la segunda pantalla de ajuste del encuadre.

- 6** Especifique un tamaño de fotografía.
Pulse el botón de control ▲ o ▼ para seleccionar el elemento de ajuste siguiente y, a continuación, pulse ◀ o ▶ para seleccionar un valor.



UNIDAD MEDIDA: permite seleccionar una unidad de medida.

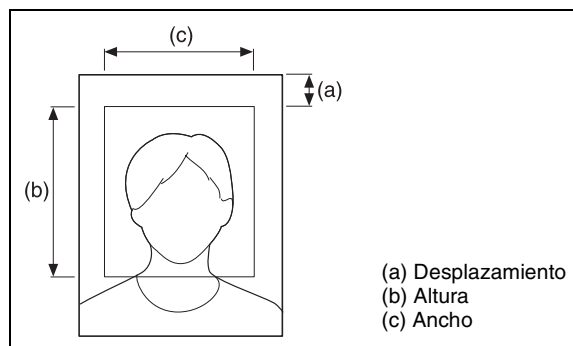
Altura: permite especificar la altura del tamaño de la fotografía.

Ancho: permite especificar la anchura del tamaño de la fotografía.

- 7** Pulse el botón de control ▼ para seleccionar SIGUIENTE y, a continuación, pulse el botón ENTER.

Aparecerá la tercera pantalla de ajuste del encuadre.

- 8** Especifique el tamaño de rostro máximo (escala máxima para cubrir el rostro del motivo).
Pulse el botón de control ▲ o ▼ para seleccionar el elemento de ajuste siguiente y, a continuación, pulse ◀ o ▶ para seleccionar un valor.



Desplazamiento: permite especificar la distancia desde la circunferencia del encuadre hasta el área máxima del rostro.

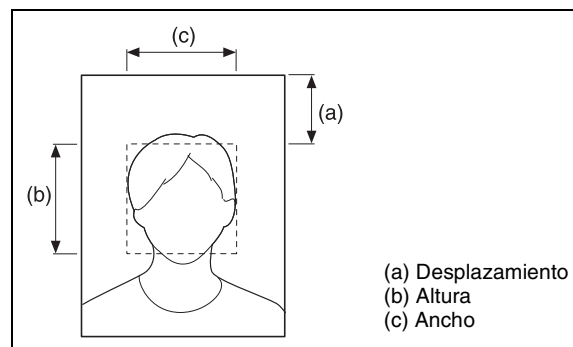
Altura: permite especificar la altura del tamaño máximo del rostro.

Ancho: permite especificar la anchura del tamaño máximo del rostro.

- 9** Pulse el botón de control ▼ para seleccionar SIGUIENTE y, a continuación, pulse el botón ENTER.

Aparecerá la cuarta pantalla de ajuste del encuadre.

- 10** Especifique el tamaño de rostro mínimo (escala mínima para cubrir el rostro del motivo).
Pulse el botón de control ▲ o ▼ para seleccionar el elemento de ajuste siguiente y, a continuación, pulse ◀ o ▶ para seleccionar un valor.



Desplazamiento: permite especificar la distancia existente desde la circunferencia del encuadre hasta el tamaño mínimo del rostro.

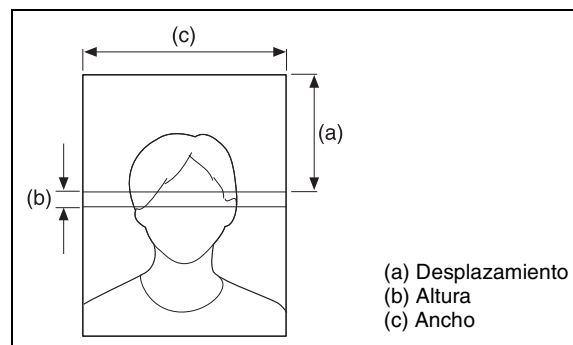
Altura: permite especificar la altura del tamaño mínimo del rostro.

Ancho: permite especificar la anchura del tamaño mínimo del rostro.

- 11** Pulse el botón de control ▼ para seleccionar SIGUIENTE y, a continuación, pulse el botón ENTER.

Aparecerá la quinta pantalla del ajuste del encuadre.

- 12** Especifique la zona de los ojos (zona en la que se situarán los ojos del motivo).
Pulse el botón de control ▲ o ▼ para seleccionar el elemento de ajuste siguiente y, a continuación, pulse ◀ o ▶ para seleccionar un valor.



Desplazamiento: permite especificar la distancia desde la circunferencia del encuadre hasta la zona de los ojos.

Altura: permite especificar la altura de la zona de los ojos.

Ancho: permite especificar la anchura de la zona de los ojos.

- 13** Pulse el botón de control ▼ para seleccionar SIGUIENTE y, a continuación, pulse el botón ENTER.
Aparecerá la sexta pantalla del ajuste del encuadre.
- 14** Compruebe los elementos que ha especificado hasta el momento.
Para cambiar un ajuste, pulse el botón de control ◀ para seleccionar ANTERIOR y, a continuación, pulse el botón ENTER para volver a la pantalla anterior.
- 15** Pulse el botón de control ◀ o ▶ para seleccionar ACEPTAR y, a continuación, pulse el botón ENTER.
Volverá a mostrarse el menú CONFIGURACIÓN.

Para volver a la pantalla anterior durante la configuración

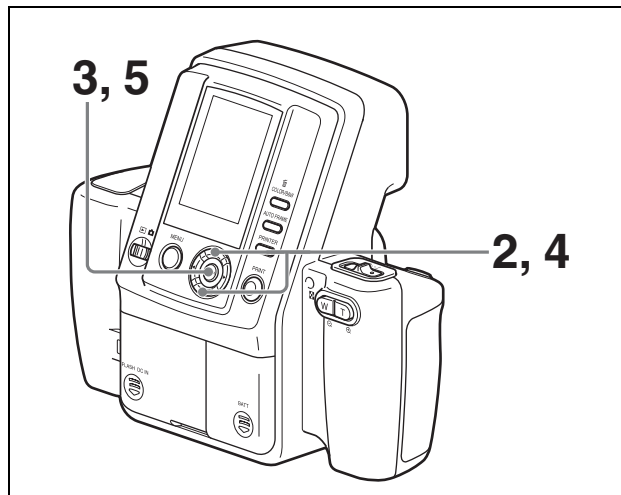
Puede volver a la pantalla anterior y cambiar los ajustes de cualquiera de las pantallas de la 2 a la 6 en la pantalla de Ajuste encuadre. Para volver a la pantalla anterior, pulse el botón de control ▲ para seleccionar ANTERIOR y, a continuación, pulse el botón ENTER.

Utilización de un encuadre adicional

Es posible utilizar la lista ID ENCUADRE FOTO para habilitar un encuadre adicional. Para obtener más información, consulte “Configuración de un encuadre para visualizar durante la impresión” en la página 176.

Utilización de la función de impresión con troquelado

La función de impresión con troquelado permite imprimir una imagen capturada con un tamaño unos 3 mm mayor que el tamaño de encuadre seleccionado, de modo que se convierta en el tamaño a utilizar cuando se corte la imagen (esta función se denomina “impresión con troquelado”). Para utilizar esta función, active el modo de impresión con troquelado mediante el procedimiento que se describe a continuación.



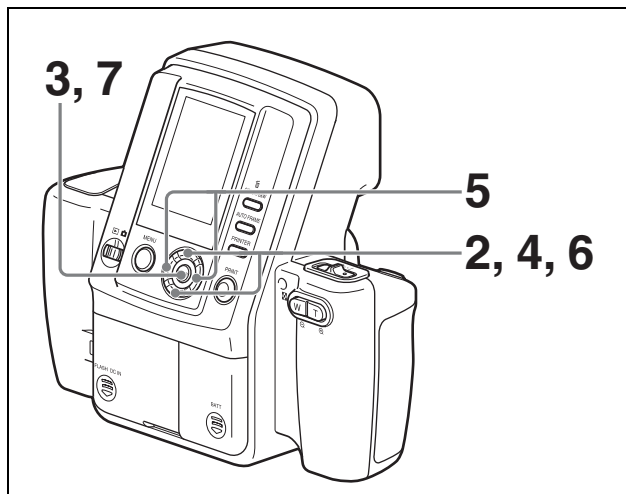
- 1** Abra el menú CONFIGURACIÓN.
Para obtener más información acerca de cómo abrir este menú, consulte “Visualización del menú CONFIGURACIÓN” en la página 167.
- 2** Pulse el botón de control ▲ o ▼ para seleccionar MODO DIE-CUT.
- 3** Pulse el botón ENTER.
Aparecerá la pantalla MODO DIE-CUT.
- 4** Pulse el botón de control ▲ o ▼ para seleccionar SÍ.
- 5** Pulse el botón ENTER.
Volverá a aparecer el menú CONFIGURACIÓN.
De ahora en adelante, las imágenes capturadas se imprimen aproximadamente 3 mm más grandes que el tamaño del encuadre de fotografía de identificación seleccionado.

Nota

Cuando se activa la función de impresión con troquelado, es posible que el número de imágenes que se impriman en una sola hoja de papel puede ser inferior que con el modo de impresión normal.

Utilización de la función de ahorro de energía automático

Cuando se activa la función de ahorro de energía automático, la cámara entra en el modo de ahorro de energía si no se realiza ninguna operación transcurrido un período de tiempo determinado. El período de tiempo puede ajustarse tanto si se utiliza el adaptador de alimentación de ca como si se utilizan pilas.



- 1 Abra el menú CONFIGURACIÓN.
Para obtener más información acerca de la visualización de este menú, consulte "Visualización del menú CONFIGURACIÓN" en la página 167.
- 2 Pulse el botón de control ▲ o ▼ para seleccionar AHORRO ENERGIA AUTOM.
- 3 Pulse el botón ENTER.
Aparecerá la pantalla AHORRO ENERGIA AUTOM.
- 4 Pulse el botón de control ▲ o ▼ y seleccione (adaptador de alimentación de ca) o (pilas).
- 5 Pulse el botón de control ◀ o ▶ y seleccionar el tiempo que debe transcurrir para que se active el modo de ahorro de energía.
Si especifica (adaptador de alimentación de ca), podrá seleccionar 10 min, 30 min o DESACTIVAR.
Si especifica (pilas), podrá seleccionar 3 min, 7 min o 10 min.
Si selecciona DESACTIVAR, la función de ahorro de energía automático se desactiva.
- 6 Pulse el botón de control ▲ o ▼ para seleccionar ACEPTAR.

- 7 Pulse el botón ENTER.
Volverá a aparecer el menú CONFIGURACIÓN.

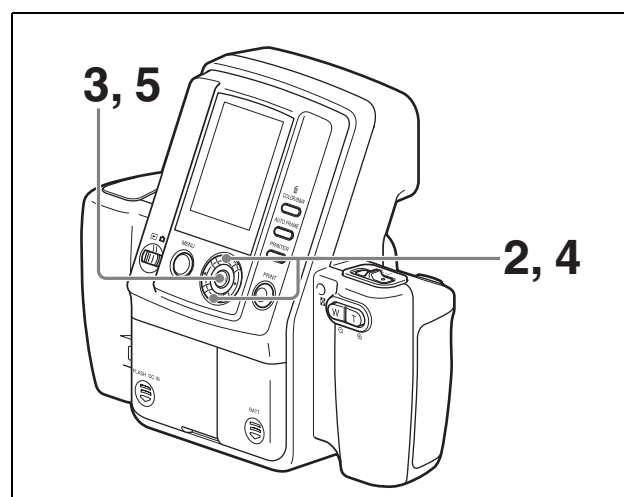
Restablecimiento de la alimentación desde el modo de ahorro de energía

Lleve a cabo una de las siguientes operaciones.

- Ajuste el interruptor de encendido/en espera en la posición (en espera) y, a continuación, vuelva a ajustarlo en la posición (encendido).
- Pulse el botón del disparador hasta la mitad.
- Pulse cualquier botón de la cámara.

Ajuste de los sonidos de la cámara

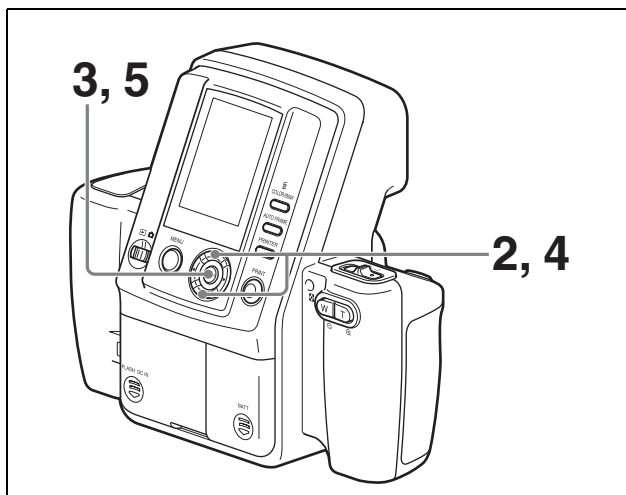
Es posible seleccionar si desea que la cámara emita sonidos durante su funcionamiento.



- 1 Abra el menú CONFIGURACIÓN.
Para obtener más información sobre la visualización de este menú, consulte "Visualización del menú CONFIGURACIÓN" en la página 167.
- 2 Pulse el botón de control ▲ o ▼ para seleccionar SONIDO.
- 3 Pulse el botón ENTER.
Aparecerá la pantalla SONIDO.
- 4 Pulse el botón de control ▲ o ▼ para seleccionar un ajuste de sonido.
NO: no se emite ningún sonido.
OBTURADOR: únicamente se emite un sonido al pulsar el botón del disparador o el botón PRINT.
SÍ: se emite un sonido en todas las operaciones de la cámara (excepto en las operaciones del zoom).

- 5** Pulse el botón ENTER.
Volverá a aparecer el menú CONFIGURACIÓN.

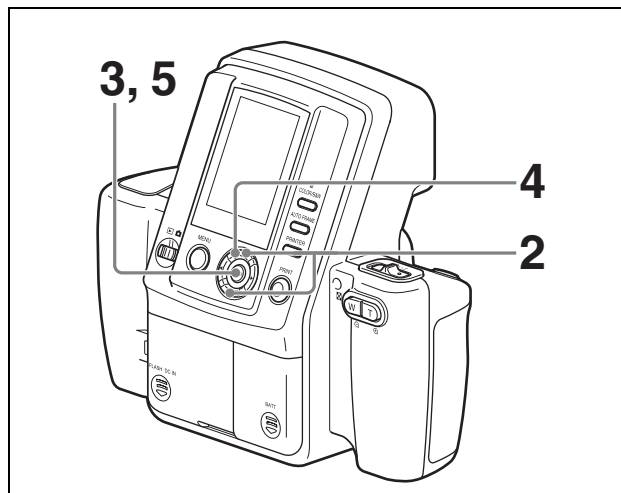
Selección de la visualización del idioma



- 1** Abra el menú CONFIGURACIÓN.
Para obtener más información sobre la visualización de este menú, consulte "Visualización del menú CONFIGURACIÓN" en la página 167.
- 2** Pulse el botón de control ▲ o ▼ para seleccionar IDIOMA.
- 3** Pulse el botón ENTER.
Aparecerá la pantalla IDIOMA.
- 4** Pulse el botón de control ▲ o ▼ para seleccionar una visualización de idioma.
Puede elegir entre inglés, francés, alemán, italiano, español, portugués, holandés, ruso y japonés.
- 5** Pulse el botón ENTER.
Volverá a aparecer el menú CONFIGURACIÓN.

Restauración de los ajustes predeterminados

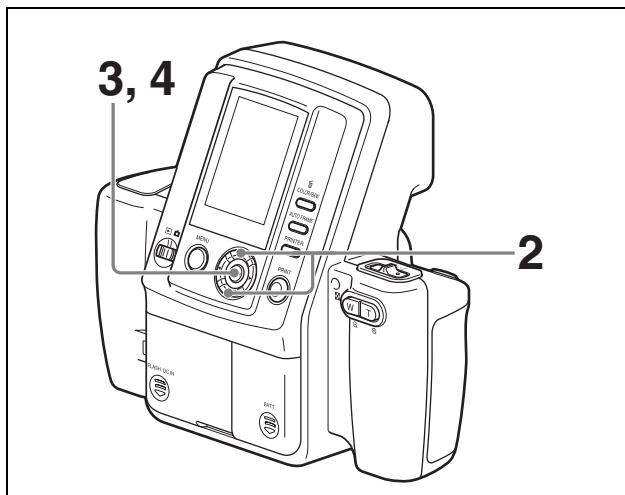
Es posible restablecer los ajustes predeterminados de fábrica de la cámara.



- 1** Abra el menú CONFIGURACIÓN.
Para obtener más información sobre la visualización de este menú, consulte "Visualización del menú CONFIGURACIÓN" en la página 167.
- 2** Pulse el botón de control ▲ o ▼ para seleccionar AJUSTE PREDETERMINADO.
- 3** Pulse el botón ENTER.
Aparecerá la pantalla AJUSTE PREDETERMINADO.
- 4** Lea atentamente la advertencia y pulse el botón de control ▲ para seleccionar "ACEPTAR".
- 5** Pulse el botón ENTER.
Todos los ajustes de la cámara volverán a sus valores predeterminados y volverá a aparecer el menú CONFIGURACIÓN (se conservan las imágenes capturadas y los encuadres adicionales).

Visualización de la versión del firmware

Es posible visualizar la versión del firmware de la cámara. Utilice esta información cuando realice una consulta a un representante del servicio técnico en relación con la cámara.




- 1** Abra el menú CONFIGURACIÓN.
Para obtener más información sobre la visualización de este menú, consulte "Visualización del menú CONFIGURACIÓN" en la página 167.
- 2** Pulse el botón de control ▲ o ▼ para seleccionar VERSIÓN FIRMWARE.
- 3** Pulse el botón ENTER.
Aparecerá la pantalla VERSIÓN FIRMWARE.
- 4** Pulse el botón ENTER.
Volverá a aparecer el menú CONFIGURACIÓN.

Bloqueo de los menús de la cámara

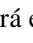
Es posible impedir que se visualicen las pantallas de los menús aunque se pulse el botón MENU durante el modo de toma de fotografías o de reproducción. De este modo evitará que se produzcan cambios accidentales en los ajustes del menú.

Para bloquear los menús

Pulse el botón MENU durante al menos 5 segundos. Desaparecerá la pantalla del menú y aparecerá el icono de bloqueo . Este icono indica que los menús están bloqueados y que la pantalla de menú no aparecerá aunque se pulse el botón MENU.

Los menús permanecen bloqueados aunque se alterne entre los modos de toma y reproducción de fotografías o se reinicie la cámara.

Para liberar el bloqueo de los menús

Pulse el botón MENU durante al menos 5 segundos. Desaparecerá el icono de bloqueo  y aparecerá la pantalla de menú.

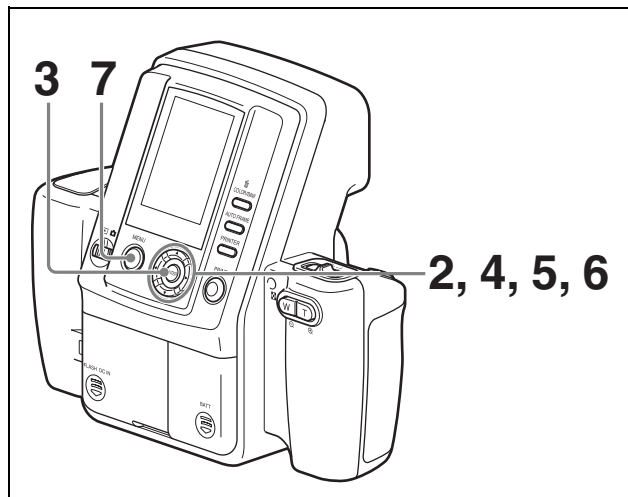
Ajuste de la calidad de impresión

Es posible utilizar la función MENÚ de la cámara para ajustar la calidad de la imagen. La función de la guía de impresión de la cámara le permite comprobar los resultados de los ajustes.

Para obtener más información acerca del significado de los valores en las pantallas CYN-RED, MAG-GRN y YEL-BLU, consulte “Explicación de los parámetros de ajuste de la calidad de imagen” en la página 184.

Ajuste de la calidad de imagen

Para ajustar la calidad de imagen de las impresiones en color



- 1 Abra el menú CONFIGURACIÓN.
Para obtener más información acerca de la visualización del menú, consulte “Visualización del menú CONFIGURACIÓN” en la página 167.
- 2 Pulse el botón de control ▲ o ▼ para seleccionar AJUSTE COLOR.
- 3 Pulse el botón ENTER.
Aparecerá la pantalla AJUSTE COLOR.
- 4 Especifique todos los elementos de ajuste.
Pulse el botón de control ▲ o ▼ para seleccionar el siguiente elemento de ajuste y, a continuación, pulse ◀ o ▶ para seleccionar un valor.
CYN-RED: si se pulsa ◀, se aportará más color cian a la imagen, mientras que si se pulsa ▶, se aportará un color más rojizo.

- MAG-GRN:** si se pulsa ◀, se aportará más color magenta a la imagen, mientras que si se pulsa ▶, se aportará un color más verdoso.
- YEL-BLU:** si se pulsa ◀, se aportará más color amarillo a la imagen, mientras que si se pulsa ▶, se aportará un color más azulado.
- DARK:** si se pulsa ▶, se aportará una mayor oscuridad a las partes oscuras.
- LIGHT:** si se pulsa ▶, se aportará un mayor brillo a las partes más brillantes.
- GAMMA:** si se pulsa ◀, se aclarará el tono del color de toda la imagen, mientras que si se pulsa ▶, se acentuará.
- SHARPNESS:** si se pulsa ▶, se aumentará la nitidez de los bordes de los objetos de la imagen.

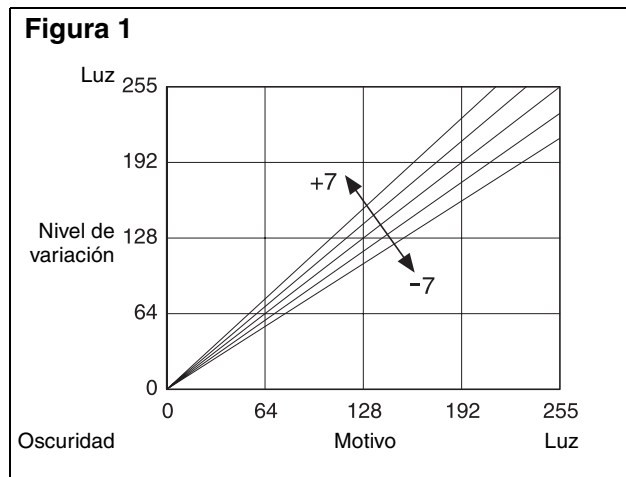
- 5 Pulse el botón de control ▲ o ▼ para seleccionar ACEPTAR y, a continuación, pulse el botón ENTER.
Aparecerá la pantalla de la guía de impresión.
- 6 Pulse el botón de control ▲ o ▼ para seleccionar GUÍA IMPRESIÓN RGB o GUÍA IMPRESIÓN DLGm y, a continuación, pulse el botón ENTER.
Se imprimirá la imagen de guía. La imagen que se está reproduciendo actualmente o la última imagen capturada se utilizarán como imagen de guía.
Para obtener más información acerca de la función de guía de impresión, consulte “Función de guía de impresión” en la página 186.
- 7 Pulse el botón MENU.
Volverá a aparecer el menú CONFIGURACIÓN.
Compruebe la imagen de guía impresa en el paso anterior. En caso necesario, repita el procedimiento a partir del paso 2 y vuelva a ajustar la calidad de imagen.

Para ajustar la calidad de imagen de las impresiones en blanco y negro

Después de pulsar el botón MENU en el paso 2 de “Para ajustar la calidad de imagen de las impresiones en color”, pulse el botón de control ▼. La cámara pasará al modo de ajuste de calidad de imagen para las impresiones en blanco y negro, y aparecerá la pantalla AJUSTE B y N. El procedimiento de ajuste de la calidad de la imagen es el mismo que para las impresiones en color.

Explicación de los parámetros de ajuste de la calidad de imagen

Variaciones en la calidad de imagen cuando se modifican los parámetros R, G y B



Ajuste de CYN-RED (parámetro R)

Es posible ajustar los componentes de color cian y rojo. El valor predeterminado es 0.

Si se pulsa ► en el botón de control de la cámara, el valor cambia en la dirección positiva de 1, 2 ... 7, haciendo que aumente el valor del componente rojo de la imagen en la dirección lineal en la que aumenta el brillo, tal como se muestra en la figura 1. Este proceso le añade más rojo, como si se arrojase una luz roja. Sin embargo, el valor de brillo efectivo máximo es 255. Si el valor supera este número, se produce saturación. Cuando esto sucede, el área blanca saturada permanece en ese color aunque se aumente el valor en la dirección positiva.

Si se pulsa ◀ en el botón de control, el valor cambia en la dirección negativa a -1, -2 ... -7, lo que hace disminuir el valor del componente rojo de la imagen en la dirección lineal en la que disminuye el brillo, tal y como se muestra en la figura. La disminución del brillo hace que el color rojo sea más oscuro y reduce la rojez. Se añadirá el color cian complementario (celeste). En este caso, el área blanca se volverá azulada.

Ajuste de MAG-GRN (parámetro G)

Es posible ajustar los componentes de color magenta y verde. El valor predeterminado es 0.

Si se pulsa ► en el botón de control de la cámara, el valor cambia en la dirección positiva a 1, 2 ... 7, haciendo que aumente el valor del componente verde de la imagen en la dirección lineal en la que aumenta el brillo tal y como se muestra en la figura 1. Este proceso le añade más verde, como si se arrojase una luz verde. Sin embargo, el valor de brillo efectivo máximo es 255. Si el valor supera este número, se produce saturación. Cuando esto sucede, el área blanca saturada permanece en ese color aunque se aumente el valor en la dirección positiva.

Si se pulsa ◀ en el botón de control, el valor cambia en la dirección negativa a -1, -2 ... -7, lo que hace disminuir el valor del componente verde de la imagen en la dirección lineal en la que disminuye el brillo, tal y como se muestra en la figura. La disminución del brillo hace que el color verde sea más oscuro y reduce la verdor. Se añadirá el color magenta complementario (púrpura rojizo). En este caso, el área blanca se volverá levemente magenta.

Ajuste de YEL-BLU (parámetro B)

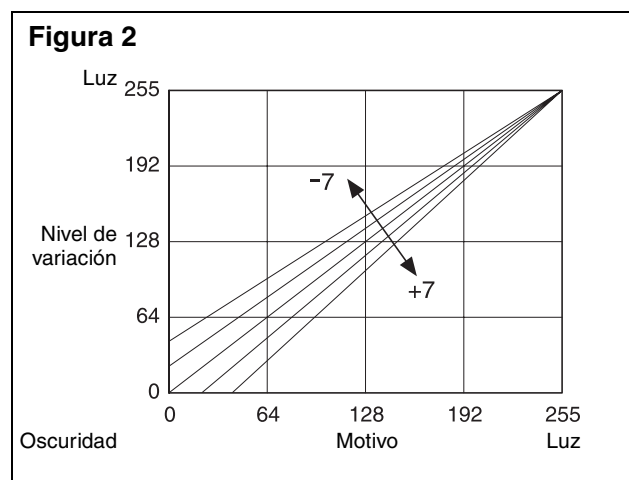
Es posible ajustar los componentes de color amarillo y azul. El valor predeterminado es 0.

Excepto para algunas especificaciones especiales, no es posible realizar este ajuste cuando se ha seleccionado B y N.

Si se pulsa ► en el botón de control de la cámara, el valor cambia en la dirección positiva a 1, 2 ... 7, haciendo que aumente el valor del componente azul de la imagen en la dirección lineal en la que aumenta el brillo tal y como se muestra en la figura 1. Este proceso le añade más azul, como si se arrojase una luz azul. Sin embargo, el valor de brillo efectivo máximo es 255. Cuando el valor supera este número, se produce saturación. Cuando esto sucede, el área blanca saturada permanece en ese color aunque se aumente el valor en la dirección positiva.

Si se pulsa ◀ en el botón de control, el valor cambia en la dirección negativa a -1, -2 ... -7, lo que hace disminuir el valor del componente azul de la imagen en la dirección lineal en la que disminuye el brillo, tal y como se muestra en la figura. La disminución del brillo hace que el color azul sea más oscuro y reduce el tono azul. Se añade el color complementario amarillo. En este caso, el área blanca se vuelve amarillenta.

Variaciones en la calidad de imagen cuando se modifican los parámetros D, L y Gm



Ajuste de DARK (parámetro D)

Es posible ajustar las partes oscuras. El valor predeterminado es 0.

Si se pulsa ► en el botón de control de la cámara, el valor cambia en la dirección positiva a 1, 2 ... 7, haciendo que aumente el lado oscuro de cada dato RGB simultáneamente en la dirección lineal en la que aumenta la profundidad, tal y como se muestra en la figura 2. Este proceso añade más profundidad. Sin embargo, el valor de oscuridad efectivo máximo es 0. Cuando el valor es menor que este número, se produce saturación.

Si se pulsa ◀ en el botón de control, el valor cambia en la dirección negativa a -1, -2 ... -7, lo que hace que se aclare el lado oscuro de cada dato RGB y disminuya la oscuridad.

Ajuste de LIGHT (parámetro L)

Es posible ajustar las partes claras. El valor predeterminado es 0.

Al pulsar ► en el botón de control de la cámara cambian simultáneamente los parámetros R, G, y B, tal y como se indica en la figura 1, haciendo que aumente simultáneamente el lado claro de cada dato RGB en la dirección lineal en la que aumenta el brillo. Este proceso le da una calidad sobreexpuesta a la imagen.

Si pulsa ◀ en el botón de control, se oscurece el lado claro de cada dato RGB, lo que genera una imagen que parece insuficientemente expuesta.

Ajuste de GAMMA (parámetro GM)

Puede ajustar el valor de gamma. El valor predeterminado es 0.

Si se pulsa ► en el botón de control de la cámara, aumentará el medio tono de cada dato RGB data en la dirección en la que aumenta el brillo.

Si se pulsa ◀ en el botón de control, disminuirá el medio tono de cada dato RGB data en la dirección en la que aumenta la oscuridad.

Ajuste de SHARPNESS

Es posible ajustar la nitidez de las imágenes.

Si se pulsa ► en el botón de control de la cámara, el valor cambia en la dirección positiva de 0 a 1, 2 ... 7, poniendo énfasis en los contornos de la imagen. Le recomendamos que ajuste un valor reducido cuando el tamaño de impresión también lo sea.

SHARPNESS

El ajuste de SHARPNESS es una función que acentúa los contornos de la imagen. Esta función no puede utilizarse para aumentar la resolución. Su función es modificar la nitidez.

SHARPNESS puede ser utilizada como un parámetro para mejorar las fotografías, pero si la nitidez se aumenta demasiado, no se obtendrá una imagen natural. Por lo general, se recomienda mantener el ajuste predeterminado. Cuando se utiliza un tamaño de impresión grande y SHARPNESS está ajustado en un valor alto, la calidad de la imagen no mejora.

Contraste

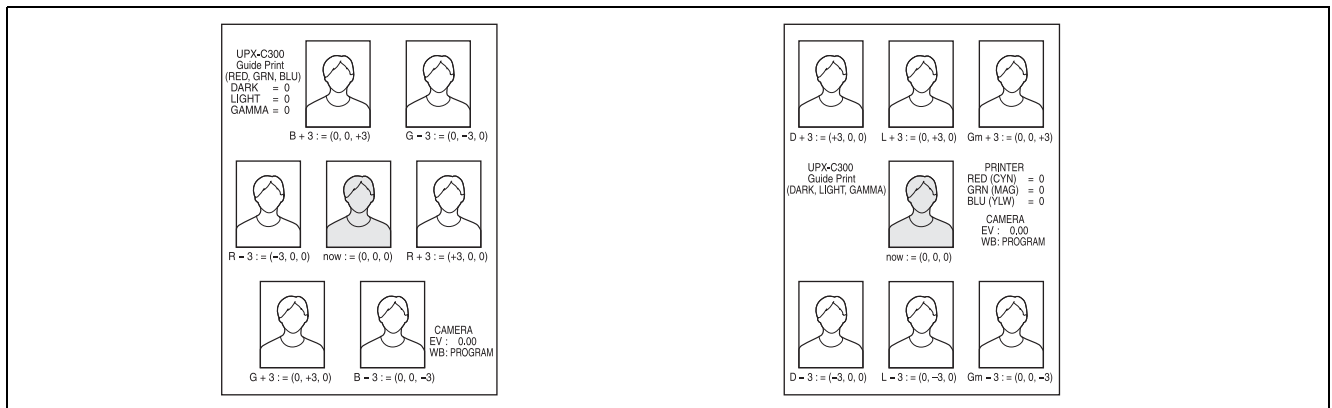
Además de la función de nitidez, es posible darle más nitidez a la imagen añadiendo el contraste de claridad y oscuridad. El contraste se puede ajustar mediante los elementos DARK y LIGHT de la pantalla de menú. Al aumentar los valores de DARK y LIGHT en la dirección positiva, aumenta el contraste, por lo que se obtiene una imagen de alto contraste. Sin embargo, la desventaja es que al aumentar los valores de contraste en la dirección positiva, disminuye la cantidad de información acerca de los tonos blanco y negro y, como resultado, la gradación de dichos colores se vuelve más tosca. Por lo tanto, se requiere un ajuste de contraste adecuado. Es recomendable establecer un ajuste de contraste de +2 o +3.

Función de guía de impresión

El diseño Guía impresión RGB o Guía impresión DLGm permite imprimir una imagen de guía con todos los parámetros RGB o DLGm modificados.

Las imágenes de guía pueden imprimirse en papel de las series UPC-X46 y UPC-X34.

A continuación se muestra un ejemplo de imagen de guía impresa.



Guía impresión RGB (ajuste de parámetros RGB)

Si selecciona el diseño Guía impresión RGB, podrá imprimir una imagen de guía (simulación de ajuste) para los parámetros RGB. Debido a que la imagen utilizada para la impresión es la imagen que se está reproduciendo en la cámara, en realidad es posible ajustar la calidad de

la imagen mientras la visualiza.

La imagen del centro se imprime utilizando los valores de ajuste de tono de color actuales. Se imprimen seis imágenes de reproducción de diferentes colores alrededor de esta imagen.

Se muestra como referencia el estado actual de cada parámetro DARK, LIGHT y GAMMA.

Esta imagen muestra el estado actual de los parámetros RED, GREEN y BLUE.

Esta imagen muestra el parámetro RED disminuido en 3 a partir del estado actual. El motivo aparece un poco más oscuro que en la imagen actual y la imagen en su totalidad aparece levemente cian.

Esta imagen muestra el parámetro GREEN aumentado en 3 a partir del estado actual. Las partes blancas saturadas permanecen blancas y no cambian. El motivo aparece un poco más claro que en la imagen actual y levemente verde.

Esta imagen muestra el parámetro BLUE aumentado en 3 a partir del estado actual. Las partes blancas saturadas permanecen blancas y no cambian. El motivo aparece un poco más claro que en la imagen actual y levemente azul.

Esta imagen muestra el parámetro GREEN disminuido en 3 a partir del estado actual. El motivo aparece un poco más oscuro que en la imagen actual y la imagen en su totalidad aparece levemente magenta.

Esta imagen muestra el parámetro RED aumentado en 3 a partir del estado actual. Las partes blancas saturadas permanecen blancas y no cambian. El motivo aparece un poco más claro que en la imagen actual y levemente rojo.

Esta imagen muestra el parámetro BLUE disminuido en 3 a partir del estado actual. El motivo aparece un poco más oscuro que en la imagen actual y la imagen en su totalidad aparece levemente amarilla.

Condiciones de toma de fotografías de la cámara

Los valores que se encuentran debajo de cada imagen corresponden a los parámetros R, G y B. Si, por ejemplo, desea utilizar el tono de color que se encuentra en la parte superior izquierda de la figura anterior, ajuste el parámetro B en +3, ya que (RED, GREEN, BLUE) = (0, 0, +3).

Si desea ajustar (RED, GREEN, BLUE) = (0, 0, +3) en un valor un poco superior, ajuste el parámetro B en +3 y, a continuación, imprima otra Guía impresión RGB. De este modo, podrá visualizar una simulación de cada variación de color con (RED, GREEN, BLUE) = (0, 0, +3) en el centro.

Guía de impresión DLGm (ajuste de parámetros DLGm)

Si selecciona el diseño Guía impresión DLGm, podrá imprimir una guía de colores para los parámetros DLGm. Debido a que la imagen utilizada para la impresión es la imagen que se está reproduciendo en la cámara, en realidad es posible ajustar la calidad de la imagen mientras la visualiza.

La imagen del centro se imprime utilizando los valores de ajuste de tono de color actuales. Se imprimen seis imágenes de reproducción de diferentes colores alrededor de esta imagen.

Esta imagen muestra el parámetro DARK aumentado en 3 a partir del estado actual. Al tener focalizadas las partes profundas, se ha convertido en una imagen con mayor profundidad que la imagen actual.

Esta imagen muestra el parámetro LIGHT aumentado en 3 a partir del estado actual. Las partes claras se vuelven más claras que en la imagen actual.

Esta imagen muestra el parámetro GAMMA aumentado en 3 a partir del estado actual. Los medios tonos se han vuelto levemente más oscuros que en la imagen actual.

Esta imagen muestra el estado actual de los parámetros DARK, LIGHT y GAMMA.

Esta imagen muestra el parámetro LIGHT disminuido en 3 a partir del estado actual. Las partes claras se vuelven levemente más oscuras que en la imagen actual.

Esta imagen muestra el parámetro DARK disminuido en 3 a partir del estado actual. Las partes más oscuras se vuelven más claras como si la fotografía fuese tomada en un lugar más iluminado.

Esta imagen muestra el parámetro GAMMA disminuido en 3 a partir del estado actual. Los medios tonos se han vuelto levemente más claros que en la imagen actual.

Se muestra como referencia el estado actual de cada parámetro RED, GREEN y BLUE.

Condiciones de toma de fotografías de la cámara

PRINTER
RED (CYN) = 0
GRN (MAG) = 0
BLU (YLW) = 0

CAMERA
EV : 0.00
WB: PROGRAM

LTPX-C300
Guide Print
(DARK, LIGHT, GAMMA)

D + 3 := (+3, 0, 0) L + 3 := (0, +3, 0) Gm + 3 := (0, 0, +3)

now := (0, 0, 0)

D - 3 := (-3, 0, 0) L - 3 := (0, -3, 0) Gm - 3 := (0, 0, -3)

Los valores que se encuentran debajo de cada imagen corresponden a los parámetros D, L y Gm. Si, por ejemplo, desea usar el tono que se encuentra en la parte superior izquierda de la figura anterior, ajuste el parámetro D en +3, ya que (DARK, LIGHT, GAMMA) = (+3, 0, 0).

Si desea ajustar (DARK, LIGHT, GAMMA) = (+3, 0, 0) en un valor un poco superior, ajuste el parámetro D en +3 y, a continuación, imprima otra Guía impresión DLGm. De este modo, podrá visualizar una imagen de simulación para cada variación de parámetro con (DARK, LIGHT, GAMMA) = (+3, 0, 0) en el centro.

Recomendación acerca del ajuste de tonos de colores

Esta función de guía de impresión constituye una guía aproximada de cómo ajustar el tono de color. Sin embargo, si comprende lo siguiente, podrá utilizar esta función con todas sus posibilidades.

Esta guía de impresión también puede utilizarse para impresiones en blanco y negro. Las fotografías en blanco y negro impresas con este sistema se imprimen superponiendo los tres colores cian, magenta y amarillo para lograr el color gris. Por lo tanto, no se puede obtener una imagen perfectamente acromática y es posible que a veces se vean los colores. Se puede utilizar

una guía de impresión en blanco y negro para ajustar el balance de estos tres colores.

Colores complementarios

Las imágenes se componen de los datos de tres colores (datos R, datos G y datos B). Puede utilizarse la función de ajuste de tono de color para cambiar el balance de estos tres colores.

Cuando se cambia el parámetro R, aparece en la pantalla LCD la indicación CYN-RED (cian y rojo). De igual manera, aparece en la pantalla LCD la indicación MAG-GRN (magenta y verde) cuando se cambia el parámetro G y la indicación YEL-BLU (amarillo y azul) cuando se cambia el parámetro B.

Los colores complementarios cian y rojo, magenta y verde y amarillo y azul están relacionados. Por ejemplo, si se aumenta el rojo, se aclara el cian y si se disminuye el rojo el cian se vuelve más intenso.

Diferencia entre la selección de + y –

Si imprime un diseño Guía impresión RGB con cada uno de los parámetros RGB para la imagen central ajustados en 0, se imprimen dos imágenes de simulación para cada parámetro RGB alrededor de la imagen central (con el respectivo parámetro ajustado en +3 y –3, y los dos parámetros restantes ajustados en 0). A continuación, se explica el significado de los símbolos + y –.

El dato R, el dato G y el dato B que componen los datos de la imagen son valores digitalizados que representan la intensidad de la luz de cada color. El ajuste + sirve para acentuar la luz del color correspondiente, mientras que el ajuste – sirve para debilitar la luz del color correspondiente. La saturación (luz) de los datos se puede obtener con el ajuste +. Si necesita obtener un fondo blanco, esta función le permite obtener los resultados deseados sin cambiar el blanco.

• Ajuste en la dirección +

Si se ajusta el parámetro R en +3, por ejemplo, se acentúa la luz del componente rojo, dándole un matiz rojo a toda la imagen. Dado que la cantidad de luz también aumenta al mismo tiempo, aumenta el brillo de la imagen en la cantidad correspondiente.

No obstante, algunas partes de la imagen no cambian sin importar cuánta luz se intensifique. Se trata de partes de la imagen sin ningún componente de luz en absoluto (como las partes puramente verdes, cian y azules, sus colores intermedios y las partes negras profundas) y las partes de la imagen con componentes de luz saturada (como las partes puramente magentas, rojas y amarillas, sus colores intermedios y las partes blancas brillantes).

• Ajuste en la dirección –

Cuando el parámetro R está ajustado en –3, por ejemplo, se debilita la luz del componente rojo, dándole un matiz cian (el color complementario del rojo) a toda la imagen. Dado que la cantidad de luz también disminuye al mismo tiempo, aumenta la oscuridad de la imagen en la cantidad correspondiente.

Este ajuste difiere del ajuste + en que se añade el matiz cian a las partes cuyos componentes de luz están saturados, como las partes puramente púrpuras rojizas (magenta), rojas y amarillas o sus colores intermedios y el blanco brillante. Esto sucede especialmente en casos donde el fondo es blanco o el motivo lleva ropa blanca.

Ejemplo específico 1: Eliminación del amarillo

Para quitar el amarillo del motivo, se recomienda ajustar el parámetro B en un valor + en Guía impresión RGB.

Ejemplo específico 2: Adición de amarillo

Para añadir el amarillo al motivo, se recomienda ajustar el parámetro B en un valor – en Guía impresión RGB. Sin embargo, debe comprender que el concepto de atenuación de la luz implica agregar un matiz de amarillo a las partes blancas. Para evitarlo, ajuste un valor positivo para el parámetro L que sea equivalente al valor negativo ajustado para el parámetro B. Esto produce el mismo efecto que el ajuste de valores positivos para los parámetros R y G sin cambiar el parámetro B. El aspecto a tener en cuenta en este punto es que aumenta el brillo general.

Tiempos de impresión

Los tiempos de impresión varían según el tamaño de impresión y de papel utilizado.

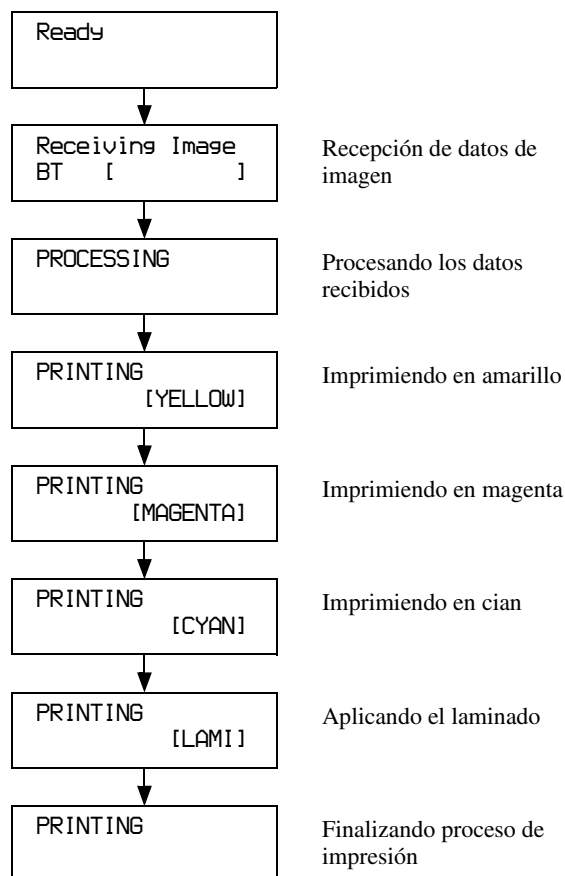
Tiempos de impresión

A continuación se indican ejemplos del tiempo aproximado que tarda la impresión desde el momento en que se pulsa el botón PRINT de la cámara hasta el momento en que la impresora recibe los datos de la imagen desde la cámara e imprime la fotografía.

Papel de impresión	Resolución	Tamaño de impresión	
		2 x 2 pulgadas	45 x 35 mm
Serie UPC-X34	NORMAL	Aprox. 83 s.	Aprox. 78 s.
	ALTA	Aprox. 83 s.	Aprox. 78 s.
Serie UPC-X46	NORMAL	Aprox. 120 s.	Aprox. 120 s.
	ALTA	Aprox. 120 s.	Aprox. 120 s.

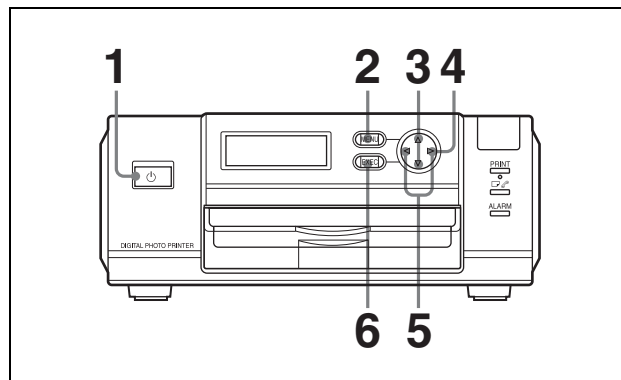
Visualización durante el proceso de impresión

Cuando imprime una fotografía, la operación que se está procesando aparece en la pantalla de operaciones de la impresora, tal y como se muestra a continuación.



Ajuste de la posición de impresión (PRINT OFFSET)

Si utiliza papel de la serie UPC-X46, puede ajustar la posición de impresión en incrementos de 0,5 mm para que la imagen impresa aparezca bien ubicada sobre el papel de impresión.



- 1 Encienda la impresora.
- 2 Pulse el botón MENU.
- 3 Pulse ▲ o ▼ en el botón de control para que aparezca “PRINT SETTING [>>]” en la pantalla de operaciones.
- 4 Pulse ► en el botón de control. Aparecerá la pantalla PRINT OFFSET.
- 5 Pulse ◀ o ▶ del botón de control para seleccionar un valor de desplazamiento.
- 6 Pulse el botón EXEC. Se confirmará el valor de desplazamiento seleccionado en el paso 5, y volverá a aparecer la pantalla PRINT SETTING.

Imprima una fotografía y compruebe que la imagen se imprime en la posición correcta sobre el papel de impresión. Si se necesitan ajustes adicionales, repita los pasos anteriores.

Para obtener más información acerca de cómo imprimir una fotografía, consulte “Impresión de la última fotografía tomada (desde la pantalla de visualización de comprobación automática de la imagen)” en la página 161.

Para salir de PRINT SETTING

Pulse el botón MENU para volver la pantalla READY.

Nota

Cuando haya terminado de realizar los ajustes, asegúrese de pulsar el botón MENU para regresar a la pantalla READY. Si no vuelve a la pantalla READY, aparecerá el mensaje COMPRUEBE IMPRESORA en la pantalla LCD de la cámara la próxima vez que realice una impresión, que no podrá realizarse.

Ajuste de las funciones Bluetooth

Tecnología inalámbrica Bluetooth

La tecnología inalámbrica Bluetooth¹⁾ permite establecer la comunicación entre distintos dispositivos Bluetooth sin utilizar cables. Entre los dispositivos que pueden utilizar esta tecnología se incluyen ordenadores, dispositivos informáticos periféricos, dispositivos PDA y teléfonos móviles. Este sistema de comunicación omnidireccional permite la comunicación aunque el dispositivo Bluetooth se encuentre dentro de una bolsa o existan obstáculos entre los dispositivos.

Asimismo, la tecnología inalámbrica Bluetooth ofrece funciones de seguridad avanzadas como, por ejemplo, frecuencias codificadas y cifrado de datos.

- Cuando utilice la función Bluetooth, la distancia entre la cámara y la impresora que pretenda conectar deberá ser de 10 m como máximo sin obstáculos.

1) La marca comercial  Bluetooth® pertenece a su propietario y Sony Corporation la utiliza bajo licencia. La palabra Bluetooth aparece escrita en texto normal en todo este documento.

Perfil básico de imagen “Basic Imaging Profile”

El perfil BIP (Basic Imaging Profile) contiene las especificaciones utilizadas para el envío o recepción de imágenes fijas entre dispositivos Bluetooth. Las características principales del perfil BIP permiten enviar o recibir imágenes, así como utilizar la función de disparador remoto de una cámara digital de imágenes fijas.

Para establecer una conexión con la impresora, el dispositivo Bluetooth debe ser compatible con la función “Image Push Feature” del perfil BIP (Basic Imaging Profile).

Antes de utilizar el dispositivo Bluetooth, compruebe las especificaciones de la tecnología Bluetooth y del perfil BIP que ofrece el dispositivo.

Dirección Bluetooth

Cada dispositivo Bluetooth tiene asignado un código de 12 dígitos formado por números de 0 a 9 y letras del alfabeto (de la A a la F). Se trata de un código específico de cada dispositivo Bluetooth, que se denomina dirección Bluetooth o ID Bluetooth. La dirección Bluetooth permite distinguir cada dispositivo, por lo que no se asignan códigos iguales a distintos dispositivos ni pueden modificarse.

Autenticación con contraseña

Para autenticar dos dispositivos Bluetooth que no se han conectado entre sí anteriormente se utiliza una contraseña. Este proceso sirve para crear una relación fiable entre ambos dispositivos.

En el proceso de autenticación con contraseña, debe introducir los mismos caracteres o números (contraseña) para cada dispositivo. El sistema UPX-C300 utiliza un número de cuatro dígitos como contraseña.

Cuando se ha definido la misma contraseña en los dispositivos, debe realizarse el proceso de autenticación correspondiente a la conexión.

Algunos dispositivos Bluetooth requieren volver a especificar la contraseña cuando caduca su período de autenticación válido, cuando se elimina el archivo de registro o cuando se modifica el ajuste de seguridad. En función del dispositivo, es posible que deba introducir la contraseña cada vez que se disponga a establecer una conexión.

Cuando la autenticación de los dispositivos se haya confirmado en el sistema UPX-C300, se almacenará el registro de conexiones de cada dispositivo en un archivo de registro. Posteriormente, podrá conectar los dispositivos sin introducir la contraseña. Si desea cambiar la contraseña, elimine primero el archivo de registro del dispositivo conectado y, a continuación, registre los dispositivos de nuevo para volver a realizar la autenticación.

Esta “contraseña” se conoce también como “código Bluetooth”, etc. También se utiliza “PIN” con el mismo significado.

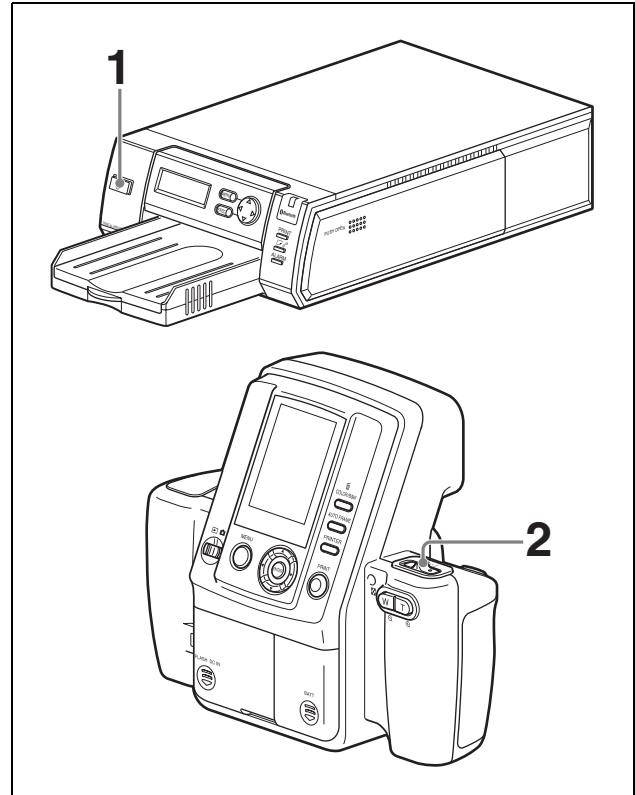
Modificación del ajuste de la contraseña

Es posible cambiar la contraseña según sea necesario. El sistema UPX-C300 y la impresora de fotografías digital UP-DX100 que se vende por separado presentan la misma contraseña ajustada en fábrica. Para proteger la comunicación, se recomienda cambiar la contraseña del sistema.

Para obtener más información acerca de la modificación de ajustes, consulte “Modificación de la contraseña” en la página 193.

Conexión Bluetooth

En el sistema UPX-C300, la impresora y la cámara están ajustadas en fábrica para que la cámara busque automáticamente la impresora para establecer una conexión cuando ambos dispositivos estén encendidos. Realice el procedimiento siguiente para encender la impresora y la cámara:



- 1** Encienda la impresora. Compruebe que aparece el mensaje “Ready BT RSSI [- - -]” en la pantalla de operaciones.
- 2** Ajuste el interruptor de encendido/en espera de la cámara en la posición **I** (encendido). La cámara iniciará la búsqueda de la impresora y aparecerá el mensaje “IDENTIF.DISPOSITIVO” en la pantalla LCD de la cámara. Cuando se establece la conexión entre la cámara y la impresora, el mensaje cambiará a “DISPOSIT.IDENTIFIC.”, y el nombre y la dirección Bluetooth de la impresora conectada se mostrarán en negro.

Para interrumpir la búsqueda

Cuando aparezca “IDENTIF.DISPOSITIVO” en la pantalla LCD de la cámara, pulse el botón MENU. Aparecerá el mensaje “CANCELANDO” y se interrumpirá la búsqueda. Si se conectan varias impresoras, también se interrumpirá la búsqueda de las impresoras restantes.

Si se produce un error de conexión

Aparecerá el mensaje “NO IDENTIFICADO” en la pantalla LCD de la cámara, y el nombre y la dirección Bluetooth de la impresora permanecerán atenuados.

Aunque se produzca un error de conexión, las operaciones de toma de fotografías y reproducción se podrán realizar en la cámara.

Si se produce un error de conexión, realice las comprobaciones siguientes y pulse el botón PRINT antes de volver a intentar establecer la conexión.

Aparecerá el mensaje “Restablec. conexión” y se iniciará el nuevo intento de conexión.

- La impresora está encendida.
- El módulo Bluetooth de la cámara y la impresora está ajustado en SÍ.
- No existe ningún obstáculo entre la cámara y la impresora que pueda interferir en la transmisión de datos.

Para utilizar el sistema con varias impresoras conectadas, consulte también “Funcionamiento con varias impresoras” en la página 198.

Comprobación de los estados de conexión Bluetooth de la cámara (PROPIEDAD)

- 1 Abra el menú CONFIGURACIÓN.

Para obtener más información, consulte “Visualización del menú CONFIGURACIÓN” en la página 167.

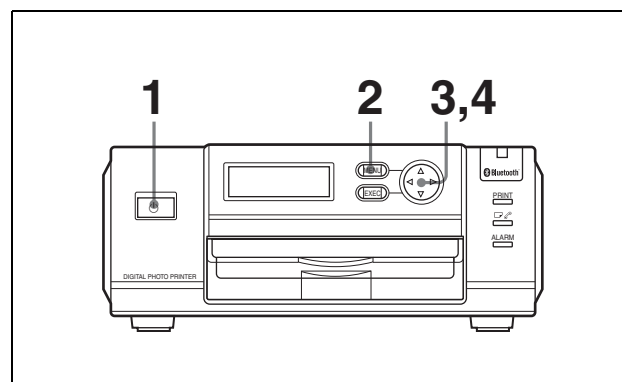
- 2 Pulse ▲ o ▼ del botón de control para seleccionar Bluetooth.
- 3 Pulse el botón ENTER.
Aparecerá la pantalla del menú Bluetooth.
- 4 Pulse ▲ o ▼ del botón de control para seleccionar PROPIEDAD.
- 5 Pulse el botón ENTER.
Aparecerá la información Bluetooth de la cámara.

Para desplazarse por la lista de impresoras, utilice ▲ o ▼ del botón de control.



Al pulsar el botón ENTER, vuelve a mostrarse el menú Bluetooth en la pantalla.

Confirmación de la dirección Bluetooth de la impresora



- 1 Encienda la impresora.
- 2 Pulse el botón MENU.
- 3 Pulse ▼ del botón de control para visualizar “Bluetooth SETTING[>>]”.
- 4 Pulse ► del botón de control.
Aparecerá la dirección Bluetooth.

Para volver a la pantalla Ready, pulse el botón MENU.

Modificación de la contraseña

En todas las cámaras e impresoras viene ajustada la misma contraseña de fábrica. Si necesita cambiarla, siga el procedimiento siguiente para definir una contraseña nueva.

Después de definir una nueva contraseña, elimine el registro de la impresora y regístrela de nuevo. Después de esta operación, la autenticación de la nueva contraseña será válida.

Para obtener más información acerca de la eliminación de una impresora, consulte “Eliminación de una impresora” en la página 198 y, si desea obtener más información acerca del registro de una impresora, consulte “Adición/registro de una impresora” en la página 196.

Modificación de la contraseña de la cámara

- 1 Abra el menú CONFIGURACIÓN.
Para obtener más información, consulte “Visualización del menú CONFIGURACIÓN” en la página 167.
- 2 Pulse ▲ o ▼ del botón de control para seleccionar Bluetooth.
- 3 Pulse el botón ENTER.
Aparecerá la pantalla del menú Bluetooth.
- 4 Pulse ▲ o ▼ del botón de control para seleccionar CAMBIAR CONTRASEÑA.
- 5 Pulse el botón ENTER.
Aparecerá la pantalla CAMBIAR CONTRASEÑA.



- 6 Pulse ◀ o ▶ del botón de control para seleccionar el dígito que desea cambiar.

- 7 Pulse ▲ o ▼ del botón de control para definir el valor.
Es posible utilizar un valor comprendido entre 0 y 9.

Repita los pasos 6 y 7 anteriores para definir una contraseña de cuatro dígitos.

- 8 Pulse ▶ del botón de control para seleccionar ACEPTAR.
- 9 Pulse el botón ENTER.
Se ajustará la nueva contraseña y volverá a mostrarse la pantalla del menú Bluetooth.

Para cancelar la modificación del ajuste de la contraseña

En el paso 8 anterior, seleccione CANCEL. en lugar de ACEPTAR y, a continuación, pulse el botón ENTER.

Modificación de la contraseña de la impresora

- 1 Encienda la impresora.
Aparecerá el mensaje “Ready BT RSSI [----]” en la pantalla de operaciones.
- 2 Pulse el botón MENU.
- 3 Pulse ▼ del botón de control para visualizar “Bluetooth SETTING[>>]”.
- 4 Pulse ▶ del botón de control.
Aparecerá el mensaje “Bluetooth ADDR”.
- 5 Pulse ▼ del botón de control para visualizar “PASSKEY INPUT [>>]”.
- 6 Pulse ▶ del botón de control.
Aparecerá “PASSKEY INPUT <1> [X:X:X:X]”.
(<1>: dígito actual para ajustar,
[X:X:X:X]: contraseña)
- 7 Pulse ◀ o ▶ del botón de control para seleccionar el dígito de la contraseña que desea cambiar.
Este <1> muestra el dígito que se encuentra más a la izquierda y el <4> muestra el que se encuentra más a la derecha.
- 8 Pulse ▲ o ▼ del botón de control para definir el valor de la contraseña.
Se puede utilizar un valor de 0 a 9.

Repita los pasos 7 y 8 hasta que quede establecida la contraseña de cuatro dígitos.

- 9 Pulse el botón EXEC.
Aparecerá el mensaje "PASSKEY INPUT Saving..." y se almacenará el ajuste de la contraseña.


- 10 Cuando finalice el ajuste, pulse el botón MENU.

Ajuste de la alimentación del módulo

La función de alimentación del módulo Bluetooth debe ajustarse en SÍ para poder conectar la cámara y la impresora mediante la función Bluetooth. Si se ajusta en NO, no será posible establecer la conexión Bluetooth entre los dispositivos.

Modificación del ajuste de alimentación del módulo de la cámara

- 1 Abra el menú CONFIGURACIÓN.
Para obtener más información, consulte "Visualización del menú CONFIGURACIÓN" en la página 167.
- 2 Pulse ▲ o ▼ del botón de control para seleccionar Bluetooth.
- 3 Pulse el botón ENTER.
Aparecerá la pantalla del menú Bluetooth.
- 4 Pulse ▲ o ▼ del botón de control para seleccionar MÓDULO.
- 5 Pulse el botón ENTER.
Aparecerá la pantalla ALIMENT. MÓDUL. BT.
- 6 Compruebe que se ha seleccionado SÍ o NO y, a continuación, pulse el botón ENTER.
Volverá a mostrarse la pantalla del menú Bluetooth.

Si el módulo de energía de la cámara se ajusta en SÍ, aparece el icono  (Bluetooth) en la parte superior izquierda de la pantalla LCD, a la derecha del indicador de energía.

Modificación del ajuste de alimentación del módulo de la impresora

- 1 Encienda la impresora.
- 2 Pulse el botón MENU.
- 3 Pulse ▼ del botón de control para visualizar "Bluetooth SETTING[>>]".

- 4 Pulse ► del botón de control.
Aparecerá "Bluetooth ADDR".
- 5 Pulse ▼ del botón de control para visualizar "MODULE POWER[>>]".
- 6 Pulse ► del botón de control.
- 7 Pulse ◀ o ► del botón de control para seleccionar SÍ o NO.
- 8 Pulse el botón EXEC.

Si el ajuste de alimentación del módulo de la impresora cambia de SÍ a NO, el indicador Bluetooth se apagará y aparecerá el mensaje "Ready" en la pantalla de operaciones de la impresora. La cámara tratará esta impresora del mismo modo que cualquier otra impresora cuyo nombre y dirección Bluetooth aparezcan atenuados.

Si se cambia el ajuste de energía del módulo de la impresora de NO a SÍ, aparece la indicación "REBOOTING" en la pantalla de operaciones y se reinicia la impresora. Después de que la impresora se reinicie, se ilumina el indicador Bluetooth y se muestra la indicación "Ready BT RSSI [----]" en la pantalla de operaciones. Para establecer una conexión con la cámara, pulse el botón PRINT de la cámara y reestablezca la conexión.

Asignación de un número de dispositivo a la impresora

Si se utilizan dos o más impresoras en un sistema, se recomienda que cada una tenga asignado un número de dispositivo (de 1 a 9).

- 1** Encienda la impresora.
Aparecerá el mensaje “Ready BT RSSI [----]” en la pantalla de operaciones.
- 2** Pulse el botón MENU.
- 3** Pulse ▼ del botón de control para visualizar “Bluetooth SETTING[>>]”.
- 4** Pulse ► del botón de control.
- 5** Pulse ▼ del botón de control para visualizar “MY DEVICE NAME [>>].”
- 6** Pulse ► del botón de control.
Aparecerá “Sony UP-DX100 [NONE-9: EXEC]”.
- 7** Pulse ▲ o ▼ del botón de control para definir el número de dispositivo.
- 8** Pulse el botón EXEC.
Aparecerá “DEVICE NAME Saving. . .” y se almacenará el número de dispositivo que se ha definido.
- 9** Cuando finalice el ajuste, pulse el botón MENU.

Comprobación del registro de conexiones de la impresora

- 1** Encienda la impresora.
- 2** Pulse el botón MENU.
- 3** Pulse ▼ del botón de control para visualizar “Bluetooth SETTING[>>]”.
- 4** Pulse ► del botón de control.
Aparecerá “Bluetooth ADDR”.
- 5** Pulse ▼ del botón de control para visualizar “CONNECTION RECORD [>>]”.
- 6** Pulse ► del botón de control.
Aparecerán el nombre y la dirección Bluetooth de los dispositivos que se están conectando con la impresora.
Para desplazarse por la pantalla para comprobar la información de otros dispositivos, pulse ▲ o ▼ del botón de control.

Para volver a la pantalla “CONNECTION RECORD [>>]”, pulse el botón EXEC.

Para volver a la pantalla Ready, pulse el botón MENU.

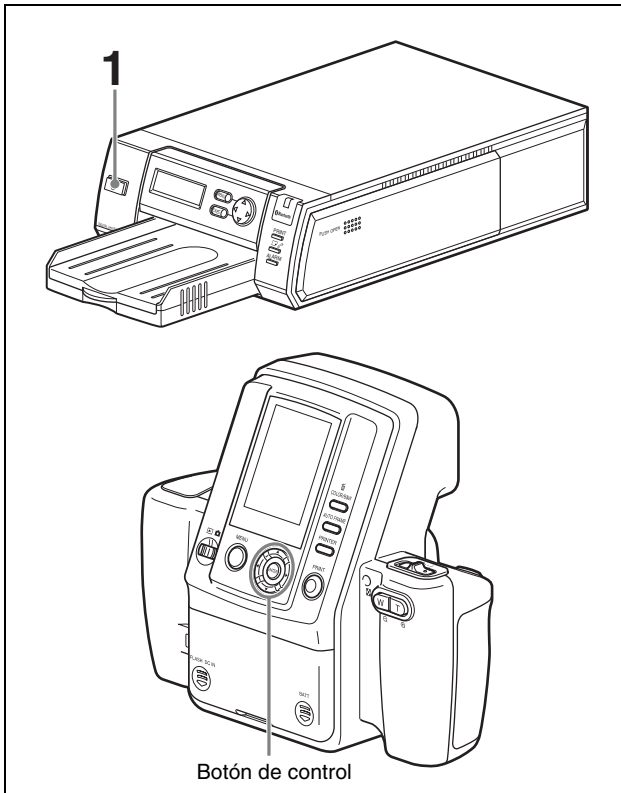
Adición/registro de una impresora

En el sistema UPX-C300, se pueden conectar hasta tres impresoras con la función Bluetooth. Se pueden añadir impresoras mediante el menú de configuración de la cámara.

Antes de añadir una impresora, ésta deberá tener asignada la misma contraseña que la cámara.

Si aparece el mensaje “NO HAY IMPRESORA” al encender la cámara, realice el procedimiento siguiente para registrar la impresora:

Para obtener más información acerca del ajuste de la contraseña, consulte “Modificación de la contraseña” en la página 193.



- 1 Encienda la impresora adicional que desea registrar.
- 2 Abra el menú CONFIGURACIÓN.
Para obtener más información, consulte “Visualización del menú CONFIGURACIÓN” en la página 167.
- 3 Pulse ▲ o ▼ del botón de control para seleccionar Bluetooth.
- 4 Pulse el botón ENTER.
Aparecerá la pantalla del menú Bluetooth.

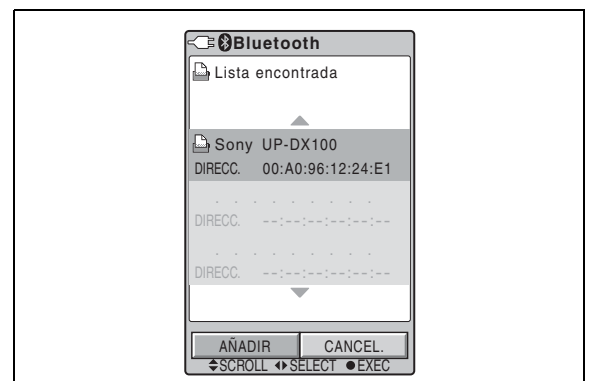
- 5 Pulse ▲ o ▼ del botón de control para seleccionar AÑADIR IMPRESORA.
- 6 Pulse el botón ENTER.
Aparecerá la pantalla AÑADIR IMPRESORA.



Si todavía se pueden conectar una o dos impresoras, añádalas del modo indicado en los pasos siguientes. Si ya se han conectado tres impresoras, deberá eliminar una impresora que no necesite de antemano.

Para obtener más información acerca de la eliminación de una impresora, consulte “Eliminación de una impresora” en la página 198.

- 7 Pulse ◀ del botón de control para seleccionar BUSCAR y, a continuación, pulse el botón ENTER.
Aparecerá el mensaje “Buscando nuevas impresoras . . .”.
Cuando finalice la búsqueda, el nombre y la dirección Bluetooth de la impresora detectada se mostrarán en negro.
La búsqueda de impresoras puede tardar hasta 60 segundos.



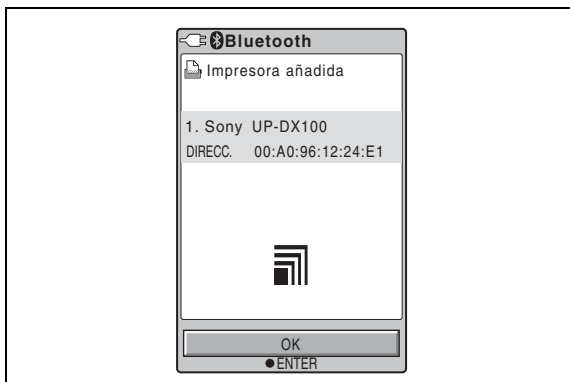
- 8 Pulse ▲ o ▼ del botón de control para seleccionar una impresora que desee añadir.

- 9** Pulse ◀ o ▶ del botón de control para seleccionar AÑADIR y, a continuación, pulse el botón ENTER. Durante el proceso de autenticación de la impresora seleccionada, aparece un reloj con movimiento.



Cuando finaliza el proceso de autenticación, se muestra el nombre de la impresora que se ha añadido. En el centro de la pantalla, aparece el símbolo RSSI (Received Signal Strength Indicator, indicador de intensidad de la señal recibida), que puede utilizarse como guía para ajustar las ubicaciones de la cámara y la impresora.

- ▬ ▬ : La intensidad de las ondas de radio es buena.
- ▬ ▬ : La intensidad de las ondas de radio es algo débil, por lo que es posible que la transmisión de datos requiera mucho tiempo.



- 10** Pulse el botón ENTER. Volverá a aparecer la lista de impresoras.



Si desea añadir cualquier otra impresora, vuelva a Lista encontrada.

- 11** Vuelva a pulsar el botón ENTER. Volverá a mostrarse la pantalla del menú Bluetooth.

Cancelación de la adición/registro de la impresora

Para cancelar la adición/registro de la impresora, dispone de los dos métodos siguientes:

- En el paso **7**, mientras aparece “Buscando nuevas impresoras . . .”, pulse el botón ENTER. La búsqueda se interrumpirá y volverá a aparecer la pantalla del menú Bluetooth.
- En el paso **9**, seleccione CANCEL. en lugar de AÑADIR y, a continuación, pulse el botón ENTER. Se cancelará la adición/registro de la impresora.

Si una impresora no se puede añadir/ registrar

No se podrán añadir/registrar impresoras en los casos siguientes:

- Si ya se han conectado tres impresoras.
→ Elimine una impresora que no necesite.
- Si la contraseña de la impresora es diferente de la de la cámara.
→ Ajuste la misma contraseña que la de la cámara.

Si aparece un mensaje que solicita la actualización de la impresora

Mientras utiliza este sistema, es posible que aparezca un mensaje que le solicite actualizar el firmware de la impresora en la pantalla LCD de la cámara. En tal caso, póngase en contacto con el distribuidor Sony más cercano.

Eliminación de una impresora

- 1** Abra el menú CONFIGURACIÓN.
Para obtener más información, consulte “Visualización del menú CONFIGURACIÓN” en la página 167.
- 2** Pulse ▲ o ▼ del botón de control para seleccionar Bluetooth.
- 3** Pulse el botón ENTER.
Aparecerá la pantalla del menú Bluetooth.
- 4** Pulse ▲ o ▼ del botón de control para seleccionar ELIMINAR IMPRESORA.
Aparecerá la pantalla ELIMINAR IMPRESORA.
- 5** Pulse ▲ o ▼ del botón de control para seleccionar una impresora que desee eliminar.
- 6** Pulse ◀ o ▶ del botón de control para seleccionar ELIMINAR.
- 7** Pulse el botón ENTER.
Se eliminará la impresora seleccionada en el paso 5 y se borrará su nombre y dirección Bluetooth.
- 8** Vuelva a pulsar el botón ENTER.
Volverá a mostrarse la pantalla del menú Bluetooth.

Para cancelar la eliminación de la impresora

En el paso 6, seleccione CANCEL. en lugar de ELIMINAR y, a continuación, pulse el botón ENTER. Se cancelará la eliminación de la impresora y volverá a aparecer la pantalla del menú Bluetooth.

Funcionamiento con varias impresoras

En un sistema que utiliza varias impresoras, las operaciones básicas son las mismas que cuando se utiliza una impresora únicamente. Si se enciende la cámara después de encender una impresora, la cámara buscará automáticamente las impresoras registradas. Los nombres y direcciones Bluetooth de todas las impresoras con las que se ha establecido una conexión se mostrarán en negro. Los nombres de las impresoras cuya conexión no se ha podido establecer aparecerán atenuados.

Las impresoras que se van a utilizar pueden seleccionarse mediante el botón PRINTER. Cuando se selecciona una impresora conectada, las condiciones de impresión correspondientes aparecen en blanco en la pantalla LCD. Si se selecciona una impresora que no está conectada, aparecerá una indicación de alarma en amarillo.

Para establecer una conexión con una impresora que se encuentra desconectada, compruebe primero que ésta se encuentre encendida y que el indicador Bluetooth esté iluminado. Además, pulse el botón PRINTER de la cámara y asegúrese de que el nombre de la impresora que desea conectar aparece en amarillo. A continuación, pulse el botón PRINT. Aparecerá el mensaje “Restablec. conexión. . .” y se iniciará el nuevo intento de conexión. Cuando la conexión se ha restablecido, la cámara volverá al modo de grabación normal en el modo CAMERA. En el modo PLAY o el modo de comprobación automática, aparecerá la pantalla de vista previa de impresión.

Para iniciar la impresión, vuelva a pulsar el botón PRINT. Se iniciará la transmisión de datos de imagen. Si no necesita realizar ninguna impresión, pulse el botón MENU para cerrar la pantalla de vista previa de impresión.

Nota

Si utiliza la función de cola de impresión en un sistema de varias impresoras, las imágenes se imprimirán únicamente a través de una impresora.

Mantenimiento del rendimiento del sistema

Para mantener el rendimiento del sistema, asegúrese de leer las siguientes indicaciones.

Cámara

Lugares de uso y almacenamiento

El uso o el almacenamiento de la cámara en cualquiera de los siguientes lugares puede provocar un fallo de funcionamiento. No utilice ni almacene la cámara en dichos lugares.

- Lugares extremadamente cálidos o fríos (temperaturas de funcionamiento de 5 °C a 35 °C)
- Lugares expuestos durante largos períodos a la exposición directa a la luz del sol o situados en las proximidades de aparatos de calefacción
- Lugares demasiado húmedos o polvorientos
- Lugares expuestos a la lluvia
- Lugares expuestos a vibraciones intensas
- Cerca de fuentes de fuerte magnetismo
- Cerca de fuentes de fuertes ondas electromagnéticas como televisores o transmisores de radio

Disipación de calor

No cubra la cámara (por ejemplo, con un paño). De lo contrario, aumentará la temperatura interna y es posible que se produzca un fallo de funcionamiento.

Transporte

Cuando transporte la cámara, asegúrese de guardarla en la caja y con los materiales de relleno suministrados o el embalaje equivalente y asegúrese también de que no esté expuesta a fuertes sacudidas.

Toma de fotografías de prueba

Asegúrese de tomar primero fotografías de prueba para asegurarse de que éstas puedan tomarse con normalidad.

Objetivo

Procure no golpear el objetivo ni ejercer presión sobre éste durante la toma de imágenes.
Evite también tocar su superficie.

Impresora

Precauciones

- Si no tiene pensado utilizar la impresora durante un largo período de tiempo, déjela en modo de espera y desconecte el cable de alimentación de la toma de corriente.
- Cuando transporte la impresora, retire todos los accesorios. Si no lo hace, es posible que la impresora no funcione correctamente.

Condensación

Si la impresora se traslada de un lugar con baja humedad a otro cálido o si se coloca en una habitación con calefacción que produce vapor y humedad, pueden formarse gotas de agua en el interior de la misma. Este fenómeno se denomina condensación. Si la impresora se utiliza en dichas condiciones, es posible que no funcione correctamente y que se produzcan fallos de funcionamiento. Si hay alguna posibilidad de que se produzca condensación, apague la impresora y déjela en reposo durante unos minutos.

Limpieza

- Asegúrese de apagar la impresora y de retirar el cable de alimentación antes de limpiarla.
- Utilice un soplador para quitar el polvo y la suciedad de la superficie del objetivo de la cámara.
- Utilice un paño suave y seco para quitar suavemente la suciedad del exterior. Si el exterior está muy sucio, utilice un paño ligeramente humedecido en una solución detergente suave para quitar la suciedad y, a continuación, utilice un paño seco.
- No utilice sustancias volátiles tales como alcohol, bencina, diluyente o insecticida, ya que, de lo contrario, podría dañar el acabado y borrar las indicaciones.

Especificaciones

Cámara

Generales

Fuente de alimentación	Suministrada mediante el adaptador de alimentación de ca (5,0 V de cc) o mediante pilas NH-AA de Sony (máx. 2.700 mAh)
Corriente de entrada	1,65 A máx. (si se utiliza un adaptador de alimentación de ca)
Temperatura de funcionamiento	De 5° C a 35 °C
Temperatura de almacenamiento	De -20 °C a +60 °C
Humedad de funcionamiento	Del 20% al 80% (sin condensación)
Dimensiones (an/al/prf)	222 × 194 × 102 mm
Peso	Aprox. 900 g (2 lb)

Sistema

Tipo de cámara	Cámara digital de imágenes fijas
Sistema de grabación y reproducción	Encuadre digital
Sistema de compresión y descompresión de datos	Sistema básico JPEG
Soporte de grabación	Memoria flash incorporada de 64 MB
Elementos de imagen	Elemento de imagen estática 8 M CCD de 1/2,5 pulgadas
Resolución de grabación	3.264 × 2.448 píxeles (ALTA) 1.632 × 1.224 píxeles (NORMAL)
Capacidad de grabación	Aprox. 30 imágenes o más (alta resolución) Aprox. 120 imágenes o más (resolución estándar)
Número de tomas (con tipos de pilas de hidruro de níquel AA de 2.000 mAh; mínimo 1.900 mAh)	Aprox. 40 tomas en las condiciones siguientes: – Temperatura: 25 °C – Condiciones de toma de fotografías: 1) Ajuste el zoom en WIDE, TELE y de nuevo en WIDE después de encender la alimentación; 2) tome dos fotografías con el flash; 3) imprima una imagen; 4) ajuste el modo de ahorro de energía transcurridos

10 minutos mediante la función del AHORRO ENERGIA AUTOM.

Los resultados pueden variar con temperaturas bajas y otras condiciones de toma de fotografías.

Método de eliminación	Eliminación de una fotografía, eliminación de todas las fotografías
Balance de blancos	Programa, Una pulsación, de 3000K a 7000K (incrementos de 500K)
Velocidad del obturador	De 1/2 a 1/1.000 segundos
Sensibilidad fotográfica	Equivalente a ISO 200 (P4, 0EV)
Monitor LCD	Visor LCD TFT en color de polisilicona de baja temperatura de 3,0 pulgadas 230.000 píxeles
Objetivo	f = de 12,5 a 25 mm, 2 aumentos (equivalente a un objetivo de 75 a 150 mm con una cámara de cine de 35 mm), enfoque automático Valor F (abierto): de F4,7 (lado W) a F5,5 (lado T)

Conectores externos

DC IN 5,0V	5,0 V de cc
Terminal de flash X sync	

Impresora

Fuente de alimentación	De 100 a 240 V de ca, 50/60 Hz
Corriente de entrada	1,1 A máx. (durante la impresión)
Temperatura de funcionamiento	De 5 °C a 35 °C
Temperatura de almacenamiento y transporte	De -20 °C a +60 °C
Humedad de funcionamiento	Del 20% al 80% (sin condensación)
Dimensiones máximas (an/al/prf)	203 × 85 × 305 mm
Peso	Aprox. 2,7 kg (la unidad principal solamente)
Método de impresión	Impresión de transferencia térmica por sublimación de tinta (amarillo, magenta, cian, laminado)
Resolución de impresión	403 × 403 ppp
Cabezal térmico	403 puntos/pulgada
Gradaciones de impresión	8 bits para amarillo, magenta y cian

Tiempo de impresión	Serie UPC-X46: 100 s/hoja Serie UPC-X34: 65 s/hoja
Método de suministro de papel	Alimentación automática desde la bandeja para papel
Capacidad máxima de la bandeja para papel	Serie UPC-X46: 25 hojas Serie UPC-X34: 30 hojas
Método de expulsión del papel	Expulsión frontal Las hojas se expulsan en orden por la parte superior de la bandeja de papel
Capacidad de impresión del cartucho de cinta	Serie UPC-X46: 25 hojas Serie UPC-X34: 30 hojas
Entradas	AC IN (entrada de alimentación)
Tamaño de impresión máximo	Serie UPC-X46: 101,6 × 151,4 mm (sin bordes) Serie UPC-X34: 70,1 × 95,3 mm (con bordes)
Píxeles de impresión	Serie UPC-X46: 1.664 × 2.440 puntos Serie UPC-X34: 1.112 × 1.512 puntos

Especificaciones Bluetooth

Tipo de comunicación (cámara)	Especificación Bluetooth, ver.2.0
Tipo de comunicación (impresora)	Especificación Bluetooth, ver.1.1
Velocidad de transmisión máxima ¹⁾	Aproximadamente 723 Kbps
Salida	Especificación Bluetooth, Power Class 2
Distancia de comunicación ²⁾	Aproximadamente 10 m sin obstáculos
Perfil Bluetooth compatible ³⁾	Perfil básico de imagen (función Image Push Feature)
Banda de frecuencia	2,4 GHz (2,400 GHz – 2,4835 GHz)

1) Velocidad de transmisión de datos máxima basada en la especificación Bluetooth, ver.1.1. Esta velocidad depende de la distancia entre los dispositivos, de la presencia de obstáculos, de las condiciones de las ondas de radio, del software de aplicación y del sistema operativo.

2) Esta distancia depende de la distancia entre los dispositivos, de la presencia de obstáculos, de las condiciones de las ondas de radio, del software de aplicación y del sistema operativo.

3) Esta especificación se corresponde con el uso previsto de los dos dispositivos Bluetooth. Se define a través de la especificación Bluetooth.

Adaptador de alimentación de ca

Fuente de alimentación	De 100 a 240 V ca, 50/60 Hz
Corriente de entrada	0,26 A
Salida	5,0 V de cc, 2,0 A en modo de funcionamiento
Temperatura de funcionamiento	De 5 °C a 35 °C
Temperatura de almacenamiento	De -20 °C a +60 °C
Dimensiones (An/AI/Prf)	Aprox. 69 × 26 × 50 mm (incluidas partes salientes)
Peso	Aprox. 170 g (6,0 onzas)

Accesorios suministrados

Bandeja para papel para la serie UPC-X46 (1)
Bandeja para papel para la serie UPC-X34 (1)
Cubierta de la bandeja (1)
Adaptador de alimentación de ca UPA-AC05 (1)
Casete de limpieza (1)
Manual de instrucciones (1 juego)
Guía rápida de consulta (1)

Accesorios opcionales

Impresora de fotografías digital UP-DX100
Paquete de impresión en color con laminado automático de la serie 10UPC-X46 (250 hojas)
Paquete de impresión en color con laminado automático de la serie 10UPC-X34 (300 hojas)

El diseño y las especificaciones están sujetos a cambios sin aviso previo.

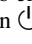
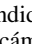
Notas

- Compruebe siempre que la unidad funciona correctamente antes de utilizarla.
SONY DECLINA TODA RESPONSABILIDAD POR LOS DAÑOS DE CUALQUIER TIPO INCLUIDOS, SIN LIMITACIÓN, LA COMPENSACIÓN O EL REEMBOLSO POR ERRORES DE IMPRESIÓN DE CONTENIDO DE NINGÚN TIPO O LA PÉRDIDA DE DATOS DEBIDA A UN ERROR DE ESTA UNIDAD O DEL SOPORTE DE IMPRESIÓN, DEL SOFTWARE ASOCIADO, DEL SOPORTE DE ALMACENAMIENTO EXTERNO O DE OTRO DISPOSITIVO EXTERNO.
- SONY DECLINA TODA RESPONSABILIDAD POR LOS DAÑOS DE CUALQUIER TIPO INCLUIDOS, SIN LIMITACIÓN, LA COMPENSACIÓN O EL REEMBOLSO POR LA PÉRDIDA DE BENEFICIOS PRESENTES O FUTUROS DEBIDO A UN ERROR DE ESTA UNIDAD, YA SEA DURANTE EL PERÍODO DE GARANTÍA O DESPUÉS DEL VENCIMIENTO DE DICHO PERÍODO, O POR MOTIVOS DE CUALQUIER OTRA ÍNDOLE.



Solución de problemas

Revise los siguientes puntos antes de enviar el equipo a reparar. Si el problema persiste, póngase en contacto con el distribuidor Sony más cercano.

Cámara

Síntoma	Causa/Solución
La cámara no se ajusta en modo de espera aunque el interruptor de encendido/en espera esté ajustado en la posición  (en espera).	<ul style="list-style-type: none">• El proceso interno de la cámara está tardando más tiempo. → Espere unos minutos. Si la unidad sigue sin entrar en modo de espera, desconecte el cable de alimentación o extraiga las pilas.
El interruptor de encendido/en espera de la cámara está ajustado en la posición  (encendido), pero la cámara y la impresora no están conectadas.	<ul style="list-style-type: none">• La impresora está apagada. → Encienda la impresora y, a continuación, encienda la cámara.• El módulo Bluetooth de la cámara o de la impresora está apagado. → Encienda ambos módulos (consulte “Ajuste de la alimentación del módulo” (en la página 194)).• Aparece el mensaje “NO HAY IMPRESORA”. → El registro de la impresora se ha cancelado. Registre la impresora (consulte “Adición/registro de una impresora” (en la página 196)).
El indicador de modo de espera se ilumina en naranja o rojo y la cámara no funciona.	<ul style="list-style-type: none">→ Se ha producido un problema con la cámara. Póngase en contacto con el distribuidor de Sony más cercano.

Toma de fotografías

Síntoma	Causa/Solución
No se toma la fotografía cuando se pulsa el botón del disparador.	<ul style="list-style-type: none"> • El selector de modo no se encuentra ajustado en . <ul style="list-style-type: none"> → Ajuste el selector de modo en . • Se están almacenando datos de imagen o se está cargando el flash (el indicador de modo de espera parpadea rápidamente en naranja). <ul style="list-style-type: none"> → Espere hasta que el indicador de modo de espera permanezca iluminado en naranja. • La memoria está llena (el indicador de modo de espera parpadea en naranja). <ul style="list-style-type: none"> → Compruebe el indicador para ver la cantidad restante de fotografías que pueden tomarse. Si dicha cantidad es equivalente a cero, borre alguna fotografía que no necesite. → Ajuste BORRADO AUTO en SÍ.
El flash no se dispara.	<ul style="list-style-type: none"> • El modo de flash no es el apropiado. <ul style="list-style-type: none"> → Ajuste la opción MODO FLASH del menú en P4 o M4. (Consulte “Selección del modo de flash” en la página 172) • El flash externo no se enciende correctamente. <ul style="list-style-type: none"> → Ajuste la opción MODO FLASH del menú en P4 o M4. (Consulte “Selección del modo de flash” en la página 172) • Las pilas se han agotado. <ul style="list-style-type: none"> → Conecte la cámara a una fuente de alimentación de ca o cargue las pilas. • Se agotó la vida útil del flash. <ul style="list-style-type: none"> → Póngase en contacto con el distribuidor de Sony más cercano.

Pantalla LCD de la cámara

Síntoma	Causa/Solución
Si la cámara se utiliza en un lugar frío, pueden aparecer imágenes residuales en la pantalla LCD. Es posible que aparezcan puntos negros o que permanezcan puntos rojos, azules, verdes o de otros colores en la pantalla LCD.	<ul style="list-style-type: none"> • Se trata de un fenómeno normal asociado con las pantallas LCD. <ul style="list-style-type: none"> → No representa un fallo de funcionamiento.
Aparece el icono de una impresora en el centro de la pantalla LCD y la cámara no funciona.	<ul style="list-style-type: none"> • La impresora está imprimiendo una fotografía. <ul style="list-style-type: none"> → Espere hasta que finalice el proceso de impresión y realice la operación nuevamente.
La imagen en pantalla se congela durante un tiempo después de que finaliza la transmisión de datos.	<ul style="list-style-type: none"> • Se está suministrando papel a la impresora. <ul style="list-style-type: none"> → La imagen de la pantalla cambiará cuando haya terminado de suministrarse papel a la impresora y comience la impresión.

Impresión

Síntoma	Causa/Solución
No se imprimen las fotografías, aunque se pulse el botón PRINT.	<ul style="list-style-type: none"> • La cámara se encuentra en el modo de toma de imágenes. <ul style="list-style-type: none"> → Las fotografías sólo pueden imprimirse desde el modo de visualización de comprobación automática de la imagen o desde el modo de reproducción. • Se ha activado la función de cola de impresión. <ul style="list-style-type: none"> → Realice la impresión con la función de cola de impresión, o bien desactive esta función. (Consulte “Utilización de la función de cola de impresión” en la página 175)

Calidad de la imagen

Síntoma	Causa/Solución
La imagen aparece borrosa.	<ul style="list-style-type: none"> • La imagen está desenfocada. → Compruebe la distancia entre el objetivo y el motivo y asegúrese de que este último se encuentre dentro del rango de enfoque. • La cámara se movió al pulsar el botón del disparador. → Sostenga la cámara correctamente y pulse el botón del disparador con suavidad. • La velocidad del obturador es demasiado lenta porque el MODO FLASH está ajustado en $M\frac{1}{2}$ o $M\frac{3}{4}$. → Ajuste las condiciones de toma de fotografías apropiadas. (Consulte "Parámetros de ajuste del modo de flash" en la página 146) • El objetivo está sucio. → Limpie el objetivo con un paño limpio, seco y suave.
La fotografía es demasiado oscura.	<ul style="list-style-type: none"> • Algún objeto (como un dedo) estaba bloqueando el flash. → Sostenga la cámara correctamente y asegúrese de que ningún objeto esté bloqueando el flash. • El motivo estaba demasiado lejos. → Asegúrese de que el motivo se encuentre dentro del rango del flash cuando tome la fotografía. → Compense la exposición. • El motivo estaba iluminado con luz posterior. → Utilice el flash.
Los colores de una fotografía tomada en interiores no son correctos.	<ul style="list-style-type: none"> • La iluminación está afectando a los colores. → Ajuste correctamente el balance de blancos. (Consulte "Ajuste del balance de blancos" en la página 173)
Falta parte de la imagen.	<ul style="list-style-type: none"> • Algún objeto (como un dedo) estaba bloqueando el objetivo. → Sostenga la cámara correctamente y asegúrese de que ningún objeto esté bloqueando el objetivo.

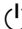
Impresora

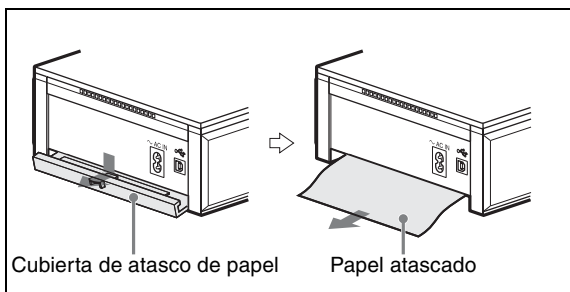
Síntoma	Causa/Solución
No se puede encender la impresora.	<ul style="list-style-type: none"> • El cable de alimentación no está bien conectado. → Conecte correctamente el cable de alimentación a una toma de corriente de ca.
No se puede imprimir.	<ul style="list-style-type: none"> • El papel para impresión y el cartucho no coinciden. → Utilice una combinación de papel para impresión y cartucho diseñada para la impresora. • Aparece el mensaje "Waiting" en la pantalla de operaciones, debido a que la temperatura interna de la impresora es demasiado alta. → Si la temperatura interna de la impresora sube demasiado, la impresión se desactiva temporalmente. Espere a que la impresión se reanude automáticamente. • El papel para impresión está atascado. → Quite el papel atascado e intente imprimir nuevamente. (Consulte "Extracción del papel atascado" en la página 205)
No se puede quitar el cartucho de impresión.	→ El cartucho de impresión no puede extraerse mientras se está imprimiendo. Espere a que finalice la impresión. Si aun así no puede extraer el cartucho de impresión, póngase en contacto con el distribuidor Sony más cercano.
Aparecen líneas o marcas blancas en las fotos impresas.	<ul style="list-style-type: none"> • Es posible que el cabezal térmico tenga polvo. → Utilice el casete de limpieza suministrado para limpiar el cabezal térmico. (Consulte "Limpieza del interior de la impresora" en la página 205) • Es posible que el rodillo del interior de la impresora deje marcas en el papel de impresión. → Trate de reducir la cantidad de hojas en la bandeja para papel.
La impresora emite un pitido corto y no realiza ninguna operación.	→ La impresora emite un pitido corto cuando se le solicita que realice una operación que no es posible.
El indicador ALARM se ilumina o parpadea y aparece un mensaje de error.	→ Siga las instrucciones que aparecen en pantalla.

Extracción del papel atascado

Si se produce un atasco de papel mientras la impresión está en curso, se ilumina el indicador ALARM, aparece un mensaje de error y se detiene la impresión.

Realice los siguientes pasos para extraer el papel atascado.

- 1 Pulse el botón  de la impresora para cambiar al modo de espera.
- 2 Extraiga la bandeja para papel y, a continuación, quite todo el papel atascado.
- 3 Retire la cubierta de atasco de papel que se encuentra en el panel posterior y compruebe que no haya papel atascado. Si hay papel atascado, quítelo.



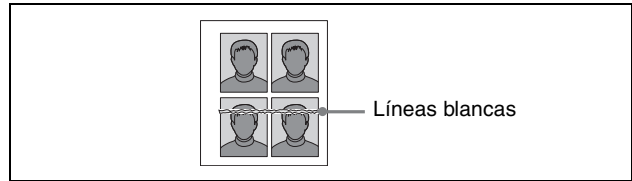
- 4 Vuelva a colocar la cubierta de atasco de papel.
- 5 Inserte la bandeja para papel.
- 6 Encienda la impresora.

Nota

Si no puede quitar el papel atascado, póngase en contacto con el distribuidor Sony más cercano.

Limpeza del interior de la impresora

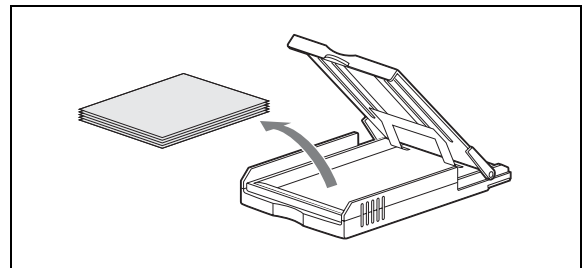
Si aparecen puntos o líneas blancas en las fotografías impresas, limpie el interior de la impresora utilizando el casete de limpieza suministrado y la lámina de protección incluida en el paquete de impresión.



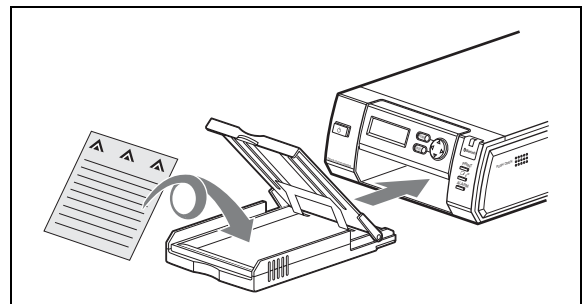
Notas

- Realice la limpieza solamente si las fotografías impresas presentan puntos o líneas blancas.
- Cuando la impresora imprima fotografías con normalidad, la limpieza no mejorará la calidad de impresión.

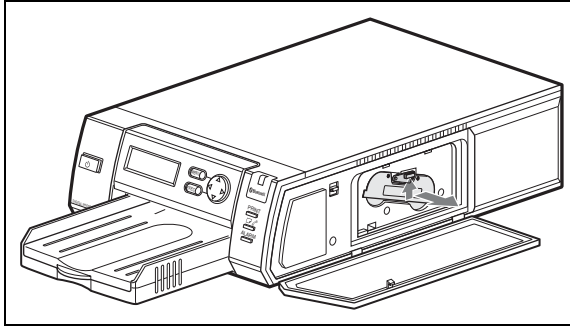
- 1 Quite la bandeja para papel de la impresora y, a continuación, quite el papel de la bandeja.



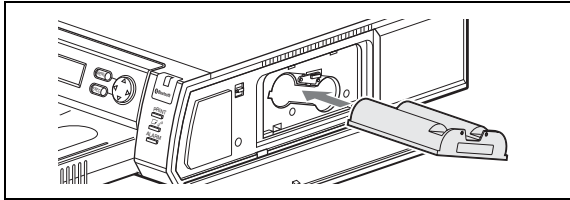
- 2 Coloque la lámina de protección en la bandeja de modo que la cara no impresa quede hacia arriba, y asegúrese de que las flechas de la parte inferior de la bandeja y las de la cara impresa de la lámina quedan orientadas en la misma dirección. A continuación, inserte la bandeja de papel en la impresora.



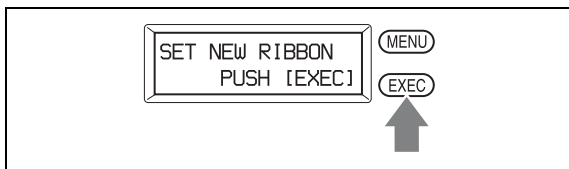
- 3** Abra la cubierta del cartucho de impresión y extraiga el cartucho.



- 4** Inserte el casete de limpieza suministrado y cierre la cubierta del cartucho de impresión.

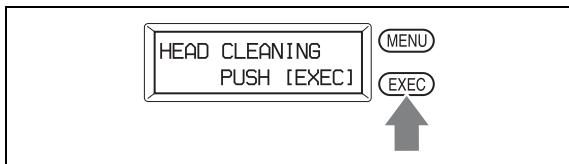


- 5** Pulse el botón EXEC.

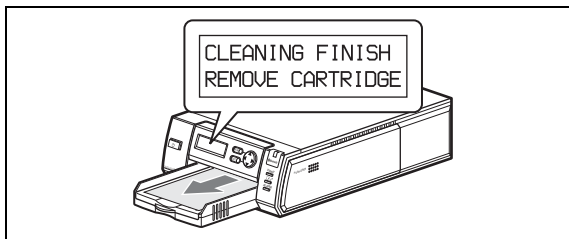


Se escuchará un ruido mecánico y aparecerá el mensaje "HEAD CLEANING/PUSH [EXEC]".

- 6** Pulse el botón EXEC de nuevo.



El casete de limpieza y la lámina de protección limpian el interior de la impresora. Una vez que termina la limpieza, la lámina de protección es expulsada automáticamente.



- 7** Quite el casete de limpieza de la impresora y vuelva a colocar el cartucho de impresión y la bandeja para papel.

Mensajes de error

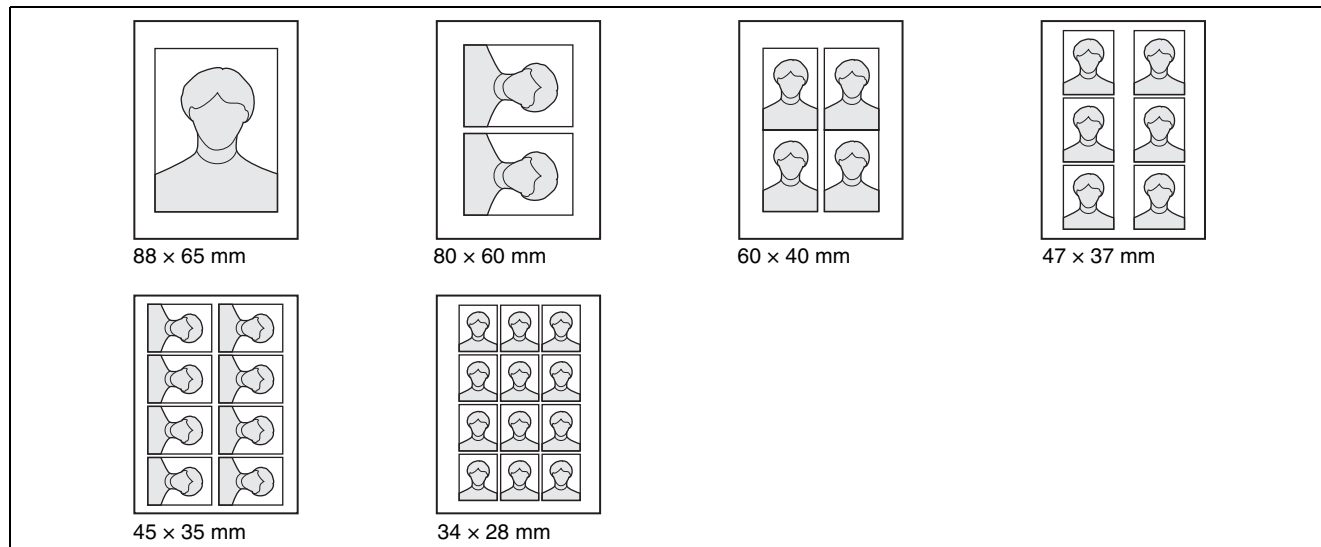
Cámara	Impresora	Causa/Solución
AJUSTAR MEDIOS	SET NEW RIBBON PUSH [EXEC]	• El cartucho de impresión no está instalado correctamente. →Instale el cartucho de impresión correctamente y pulse el botón EXEC.
		• Se ha agotado el cartucho de impresión. →Sustituya el cartucho de impresión y pulse el botón EXEC.
	SET PAPER PUSH [EXEC]	• La bandeja para papel no está instalada. →Instale la bandeja para papel y pulse el botón EXEC.
		• Se ha terminado el papel para impresión. →Coloque el papel para impresión y pulse el botón EXEC.
COMPRUEBE IMPRESORA	MEDIA MISMATCH PUSH [EXEC]	• El papel y el cartucho de impresión no coinciden. →Coloque el papel para impresión correcto y pulse el botón EXEC.
	PAPER JAMMING REMOVE PRINTS	• Se ha producido un atasco de papel. →Retire el papel atascado e intente imprimir nuevamente. (Consulte “Extracción del papel atascado” en la página 205)
	REMOVE PRINTS PUSH [EXEC]	• El papel para impresión permanece en la ranura de expulsión. →Extraiga la bandeja para papel, retire el papel para impresión y, a continuación, pulse el botón EXEC.
	BLUETOOTH ERROR SERVICE CALL	• Se ha producido un problema con la función Bluetooth. →Póngase en contacto con el distribuidor de Sony más cercano.
	PRINTER ERROR PLEASE RETRY	• Se ha producido un error con la impresora. →Intente volver a realizar la impresión.
	PRINTER ERROR SERVICE CALL	• Se ha producido un problema con la impresora. →Póngase en contacto con el distribuidor de Sony más cercano.
	—	• Se visualiza el menú en la pantalla de operaciones de la impresora. →Finalice la operación del menú y abra la pantalla READY.
	—	• La impresora no se ha conectado correctamente. →Reinicie la cámara y la impresora y, a continuación, vuelva a intentarlo.
ERROR DE TRANSMISIÓN.	—	• No pudieron transmitirse los datos de impresión. →Reinicie la cámara y la impresora y, a continuación, intente volver a realizar la operación.

Algunos de los mensajes de error de la cámara anteriores desaparecen después de solucionar el problema y otros no. En caso de que algún mensaje de error no desaparezca tras haber solucionado el problema, pulse el botón MENU para borrarlo.

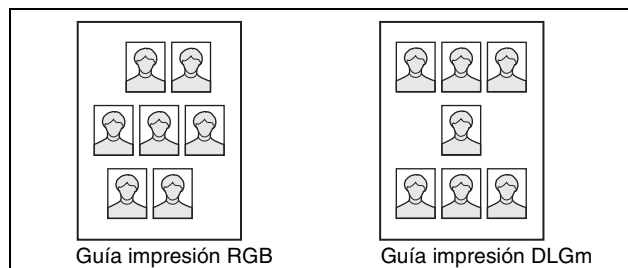
Apéndice

Diseños de impresión

Ejemplos de diseño para la utilización de papel de impresión de la serie UPC-X46

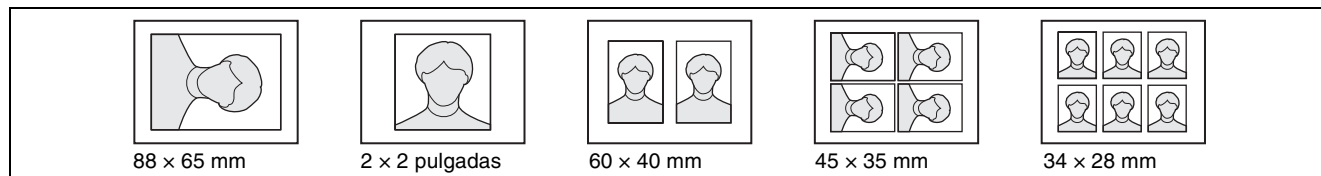


Guía de impresión

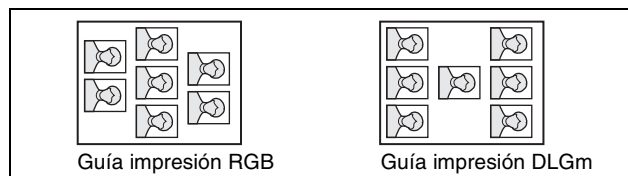


Estas guías resultan útiles para ajustar la calidad de la imagen de la impresora:

Ejemplos de diseño para la utilización de papel de impresión de la serie UPC-X34



Guía de impresión



Estas guías resultan útiles cuando se ajusta la calidad de la imagen de la impresora:

Índice alfabético

- A**
 - Accesorios suministrados 152
 - Adaptador de alimentación de ca 152
 - AJUSTE COLOR 170
 - Ajuste de la calidad de impresión 163, 183
 - Ajuste de la calidad de impresión (impresora)
 - Parámetros 184
 - Ajuste de la calidad de la impresión
 - Impresiones en blanco y negro 163
 - Ajuste de parámetros RGB 186
 - Ajuste del tono de color (impresora) 187
 - Ajustes 166
 - Alimentación 158
 - Alimentación de ca
 - Cámara 152
 - Impresora 157
 - Alimentación del módulo
 - Modificación del ajuste de alimentación del módulo de la cámara 194
 - Modificación del ajuste de alimentación del módulo de la impresora 194
 - APERTURA 168
 - Apertura 172
 - Atascos de papel 205
 - Cubierta de atasco de papel 151
 - Autenticación con contraseña 191
- B**
 - BALANCE DE BLANCOS 168
 - Balance de blancos
 - Ajuste 173
 - Captura 173
 - BIP 190
 - Bloqueo de los menús 182
 - Bluetooth 170
 - Bluetooth SETTING 170
 - BORRADO AUTO 168
 - Botón AUTO FRAME (ajuste automático de la posición) 148
 - Botón de control 150
 - Botón del disparador 147
 - Botón ENTER 149
- Botón EXEC (Ejecutar) 150
- Botón MENU 149
- Botón PRINTER 148
- C**
 - Cantidad de fotografías que pueden tomarse 171, 203
 - Capacidad de grabación 200
 - Cartuchos de impresión
 - Carga 156
 - Código de país 177
 - Colores complementarios 187
 - Comprobación automática 159, 161
 - Condiciones de toma de fotografías 146, 159
 - Ajustes de fábrica 159
 - Conector USB 151
 - Conexión Bluetooth 191
 - Comprobación 192
 - Si se produce un error de conexión 192
 - Conexiones
 - Alimentación de ca 152
 - CONFIGURACIÓN 168, 169
 - Configuración del sistema 143
 - Contraseña 170, 191, 193, 196
 - Modificación de la contraseña de la cámara 193
 - Modificación de la contraseña de la impresora 193
 - Modificación del ajuste 191
 - Control de exposición y modo de flash 172
 - COPY PRINT 163, 170
 - Cubierta de la bandeja 156
 - Cubierta del cartucho de impresión 150
 - Cubierta del conector externo 149
- D**
 - DC IN (Entrada de cc) 149
 - Desconexión auto 180
 - Dirección Bluetooth 190
 - Confirmación 192
 - Diseño de impresión
 - Lista 208
- E**
 - Eliminación de fotografías 165
 - Cancelación 166
 - Cómo salir del modo de eliminación de fotografías 166
 - Todas las fotografías 166
 - ELIMINAR 169
 - ELIMINAR TODO 169
- Encuadre de fotografía de identificación 176
- Encuadre foto de identificación
 - Configuración de un encuadre para visualizar durante la impresión 176
- Entornos de toma de fotografías 145
- Exposición
 - Compensación 174
 - Exposición manual 145
 - Función de compensación (modo de captura) 161
- Extracción del papel atascado 205
- F**
 - Flash 147
 - Flash integrado
 - Cambio del modo de flash 172
 - Modo sin flash 145
 - Función de enfoque automático 147, 161
 - Funciones Bluetooth 190
- G**
 - Guía de impresión 208
 - Guía de impresión DLGm 187
 - Guía impresión RGB 186
 - Impresiones en blanco y negro 187
 - Guía de impresión en blanco y negro 187
 - Ajuste del balance de los tres colores 187
- I**
 - IDIOMA 170
 - Idioma de visualización 181
 - Image Push Feature 190
 - Imágenes en reproducción 165
 - Imágenes individuales 165
 - Impresión 161
 - Impresión de fotografías almacenadas en la memoria integrada de la cámara 163
 - Impresión de la última fotografía tomada 161
 - Reimpresión de fotografías desde la memoria de la impresora 163
 - Impresión con troquelado 179
 - Impresiones en blanco y negro 163
 - Impresora 196
 - Adición/registro 196
 - Cancelación de la adición/registro 197

Eliminación 198
Funcionamiento con varias impresoras 198
Para cancelar la eliminación 198
Preparación 154
Si una impresora no se puede añadir/registrar 197
Indicador ALARM 150
Indicador Bluetooth 150
Indicador de cola de impresión 164
Indicador de energía de las pilas 153
Indicador de modo de espera (cámara) 148
Indicador PRINT (impresora) 150
Información de fotografías 174
Interruptor de encendido/en espera 149

L

Limpieza 199, 205
LISTA TAMAÑO IMPR. 169

M

Memoria
Eliminación de fotografías 160
Mensajes de error 207
Menú (cámara)
Bloqueo 182
CONFIGURACIÓN 169
Funciones de los elementos de menú 168
Modo de captura 168
Modo de reproducción 169
Menú CONFIGURACIÓN 167, 169
Menú de reproducción 167, 169
Menú de toma de fotografías 166, 168
Modo de borrado automático 171
Modo de captura 168
Modo de comprobación rápida 198
Modo de espera 158
Modo de flash (control de exposición y modo de flash)
Cambio del modo 172
Modos y ejemplos de entorno 145
Modo de reproducción 169
MODO FLASH 168

N

Número de dispositivo 195
Número de fotografías (cantidad total) 164
Número total de fotografías en la memoria 164

O

Objetivo 147
OBTURADOR 168
Orificio para el tornillo del trípode 147

P

Palanca de liberación del cartucho 150
Pantalla de nueve fotografías 164
Pantalla de operaciones (cámara)
Durante la reproducción 164
Durante la toma de fotografías 160
Durante la vista previa de diseño 162
Pantalla de operaciones (impresora) 150
Pantalla de vista previa de impresión 162
Pantalla LCD (cámara)
Durante la reproducción 164
Durante la toma de fotografías 160
Durante la vista previa de diseño 162
Pantalla LCD (impresora)
Durante la impresión 189
Papel para impresión 155
Paquetes de impresión 154
Parámetros
Parámetro B 184
Parámetro D 185
Parámetro G 184
Parámetro Gm 185
Parámetro L 185
Parámetro R 184
Perfil básico de imagen (BIP) 190
Preparativos
Cámara 152
Impresora 154
PRINT OFFSET 189
PROPIEDAD 169, 192

R

Ranura de la bandeja para papel 150
Ranura del cartucho de impresión 150
Registro de conexiones 195
Comprobación 195
Reimpresión (desde la memoria de la impresora) 163
Ajuste de la cantidad de hojas 164
Reproducción
Pantalla LCD 164

RESOLUCIÓN 168
Resolución 160, 164
Resolución de la imagen 159, 171
REST.CONFIG. 170
Restauración de los ajustes predeterminados 181
RSSI (Received Signal Strength Indicator, indicador de intensidad de la señal recibida) 197

S

Selector de modo 149
Solución de problemas 202
Sonido (cámara) 180
SONIDO CÁMARA 170
Sonidos de funcionamiento (cámara) 180

T

Tamaño de impresión 162, 171
Tamaño de impresión (diseño de impresión)
Lista 208
Tapa del compartimiento de las pilas 149
Terminal FLASH 149
Tiempo de impresión 188, 201
Toma de fotografías 159
Pantalla LCD 160
TOTAL PRINTS 170
Transmisión de datos 162
Cancelar 162
Trípode 154

U

Una pulsación 173

V

Valor de compensación de exposición 160
Velocidad del obturador 173
VERSIÓN FIRMWARE 170, 182
Visualización de fotografías tomadas 164
Visualización durante la impresión 189

Z

Zoom
Palanca del zoom 149

Free Manuals Download Website

<http://myh66.com>

<http://usermanuals.us>

<http://www.somanuals.com>

<http://www.4manuals.cc>

<http://www.manual-lib.com>

<http://www.404manual.com>

<http://www.luxmanual.com>

<http://aubethermostatmanual.com>

Golf course search by state

<http://golfingnear.com>

Email search by domain

<http://emailbydomain.com>

Auto manuals search

<http://auto.somanuals.com>

TV manuals search

<http://tv.somanuals.com>